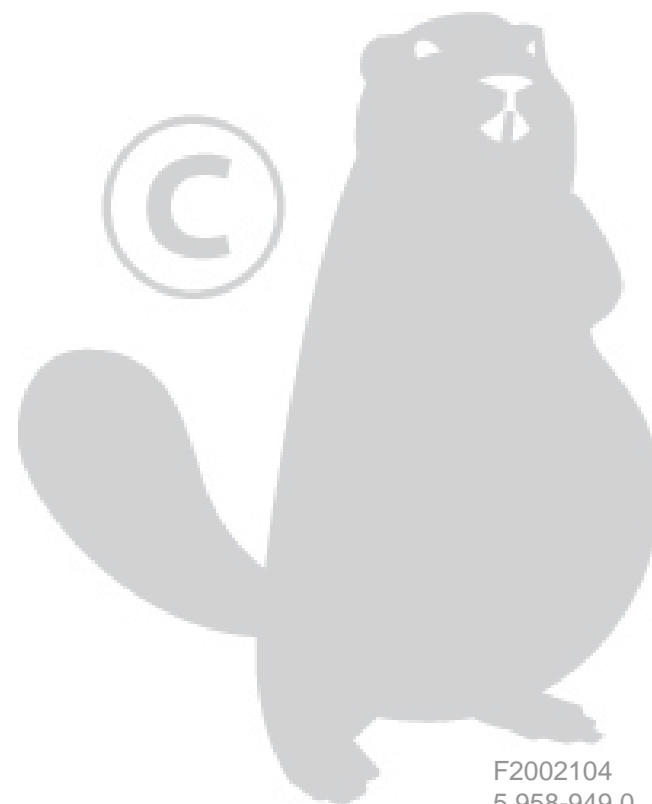


**Ersatzteilliste
Spare Parts List
Liste des pièces de rechange**

K6.80

| | | |
|-------------|---------------|------|
| 1.397-100.0 | K 6.80M-WB | *EUR |
| 1.397-102.0 | K 6.80M-WB | *GB |
| 1.397-201.0 | K 6.80M-PL-WB | *EUR |
| 1.397-500.0 | K 6.85M-WB | *EUR |
| 1.397-502.0 | K 6.85M-WB | *GB |
| 1.397-601.0 | K 6.85M-PL-WB | *EUR |



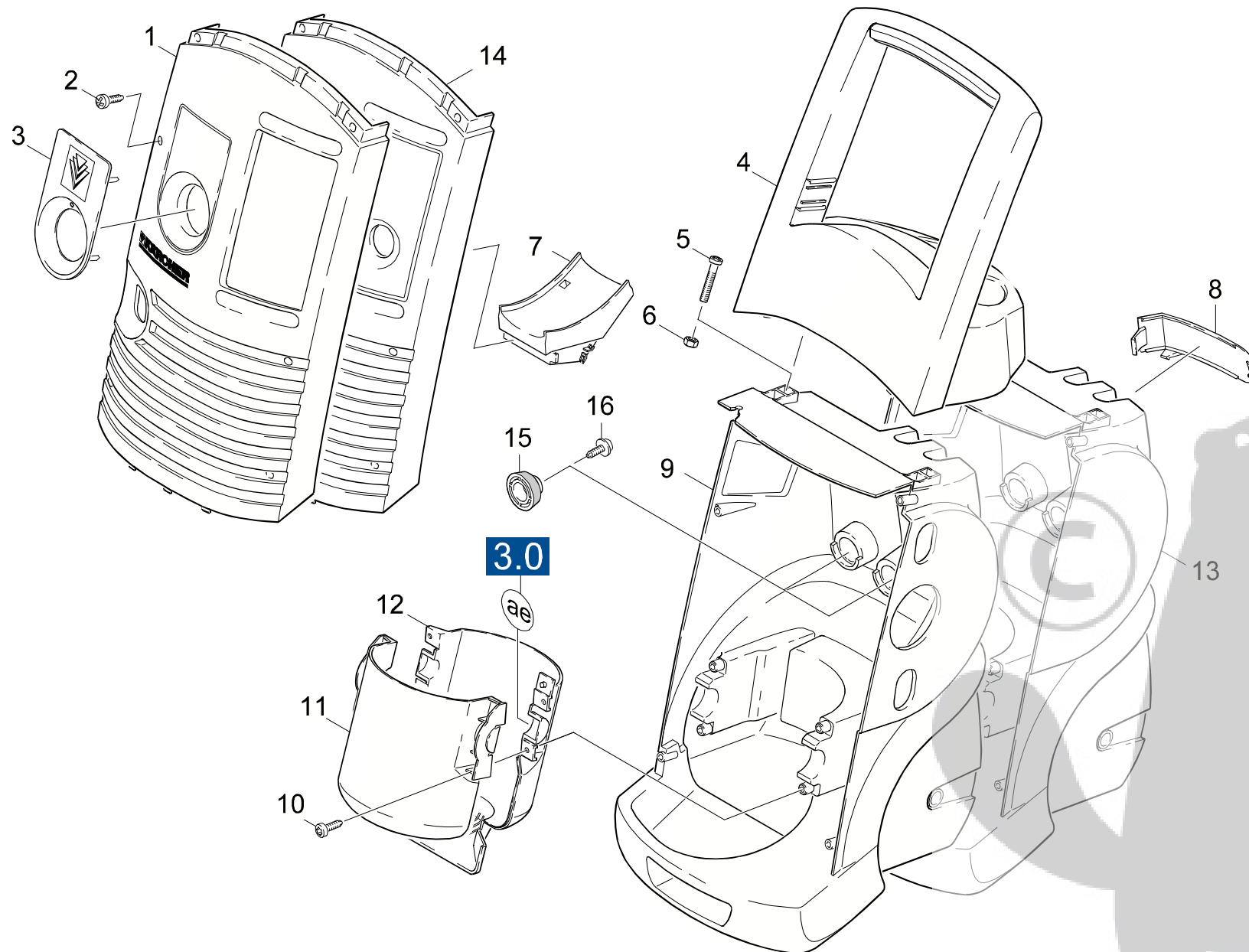
GRUPPE: 1.0 EINZELTEILE
GROUP: 1.0 PIECE PARTS
GRUPPE: 1.0 PIECES CONSTITUANTES



GRUPPE: 1.1 EINZELTEILE HAUBE
GROUP: 1.1 PIECE PARTS
GRUPPE: 1.1 PIECES CONSTITUANTES

B1

K6.80



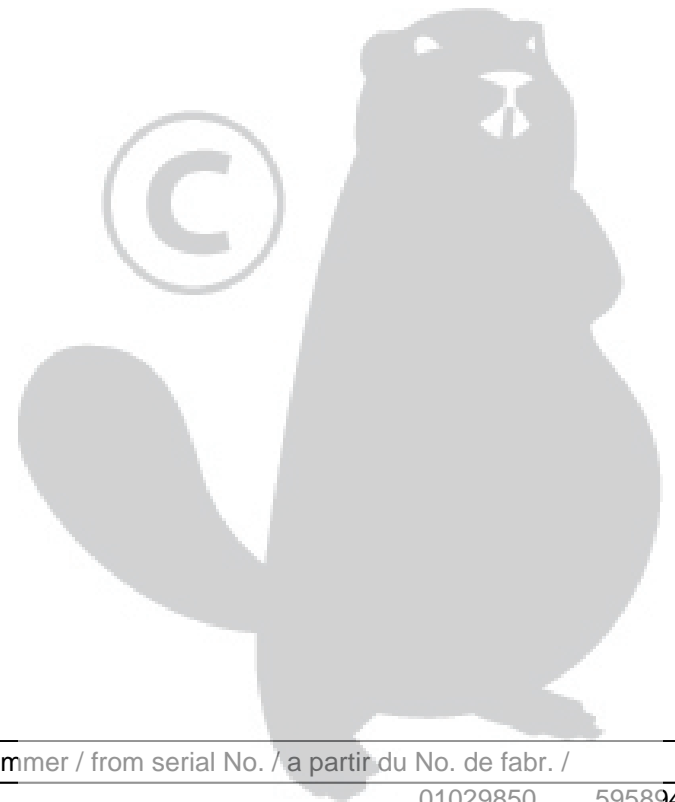
Symbolbeschreibung siehe M16 / symbol description see M16 / désignation de système voir M16 /

GRUPPE: 1.1 EINZELTEILE HAUBE
 GROUP: 1.1 PIECE PARTS
 GROUPE: 1.1 PIECES CONSTITUANTES

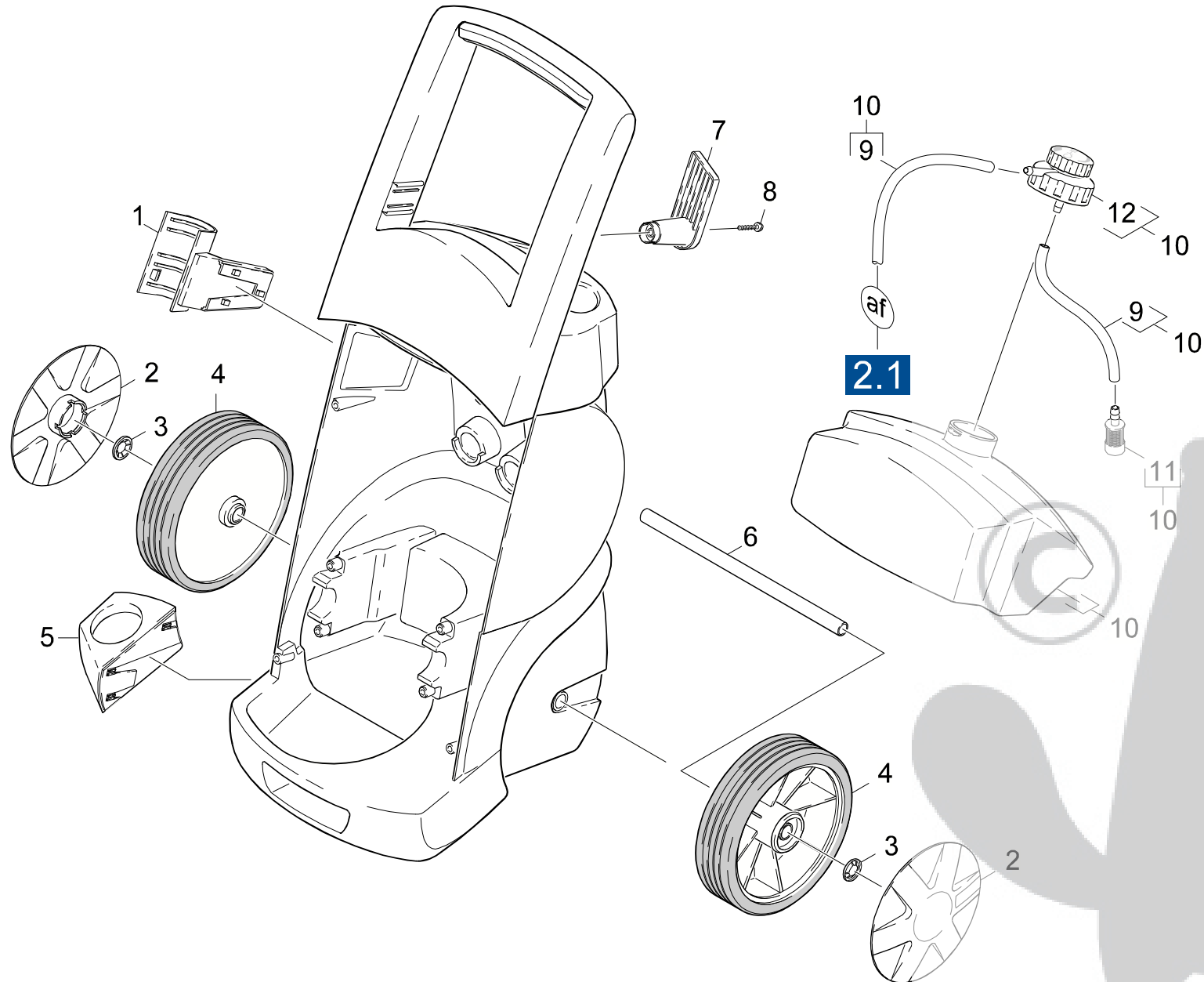
C1

K6.80

| POS. ITM. POS. | BENNENUNG DESCRIPTION DESIGNATION | TEILE-NR. PART-NO. NO.PIECE | STCK QTY. NBR. |
|----------------------|--|-----------------------------------|----------------------|
| 1 | HAUBE NEUTRAL / COVER / CAPOT / 1.397-500.0 / -502.0 / -512.0 / -601.0 | 5.032-524.0 | 1 |
| 2 | SCHRAUBE 4,2X 22 / SCREW / VIS | 6.303-150.0 | 6 |
| 3 | BLECHTEIL SCHALTERMULDE / PLATE / TOLE / 1.397-500.0 / -502.0 / -512.0 / -601.0 | 5.059-808.0 | 1 |
| 4 | GRIFF / HANDLE / POIGNEE | 5.321-677.0 | 1 |
| 5 | SCHRAUBE M 6X 62 / SCREW / VIS | 6.303-321.0 | 4 |
| 6 | 4KT-MUTTER M 6 / SQUARE NUT / ECROU CARRE | 5.311-181.0 | 4 |
| 7 | SCHLAUCHFUEHRUNG / HOSE GUIDE / ROULEAU TUYAU / 1.397-500.0 / -502.0 / -512.0 / -601.0 | 5.044-665.0 | 1 |
| 8 | BUEGEL / STRAP / ETRIER | 5.034-684.0 | 1 |
| 9 | CHASSIS K680 TOP / CHASSIS / CHASSIS / 1.397-500.0 / -502.0 / -512.0 / -601.0 | 5.032-429.0 | 1 |
| 10 | SCHRAUBE 5X25 / SCREW / VIS | 6.303-200.0 | 4 |
| 11 | LUFTFUEHRUNG K7 OT / AIR CIRCULATION / ALIMENTATION (AIR) | 5.692-063.0 | 1 |
| 12 | LUFTFUEHRUNG K7 UT / AIR CIRCULATION / ALIMENTATION (AIR) | 5.692-061.0 | 1 |
| 13 | CHASSIS K680 BASIC / CHASSIS / CHASSIS / 1.397-100.0 / -102.0 / -201.0 | 5.032-428.0 | 1 |
| 14 | HAUBE NEUTRAL / COVER / CAPOT / 1.397-100.0 / -102.0 / -201.0 | 5.032-523.0 | 1 |
| 15 | GUMMIPUFFER / RUBBER BUFFER / BUTOIR CAOUTCHOUC | 5.767-016.0 | 2 |
| 16 | SCHRAUBE M 6X 20 / SCREW / VIS | 6.303-319.0 | 2 |



"=> xxxxxx" = bis Werknummer / up to serial No. / jusqu' au No. de fabr. / "xxxxxx =>" = ab Werknummer / from serial No. / a partir du No. de fabr. /



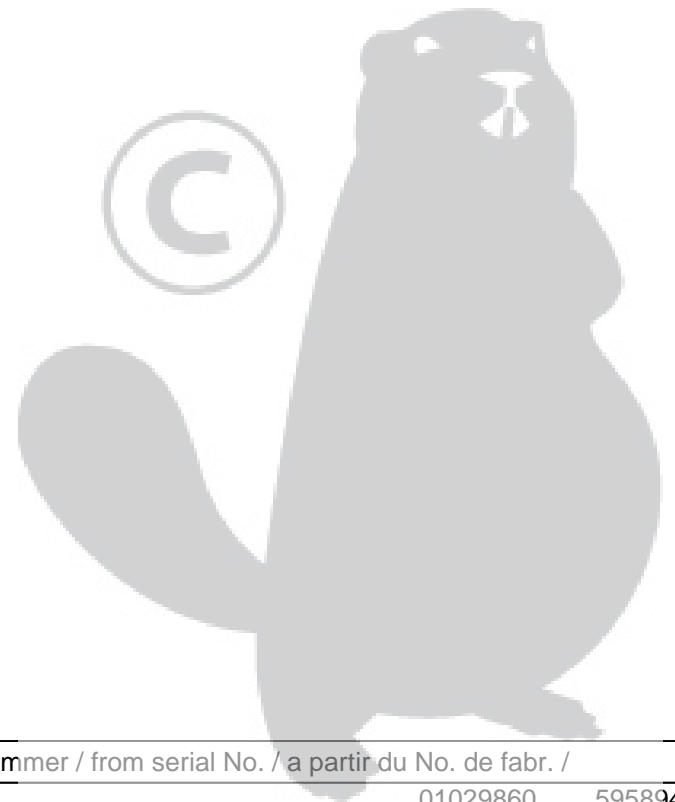
Symbolbeschreibung siehe M16 / symbol description see M16 / désignation de système voir M16 /

GRUPPE: 1.2 EINZELTEILE
GROUP: 1.2 PIECE PARTS
GROUPE: 1.2 PIECES CONSTITUANTES

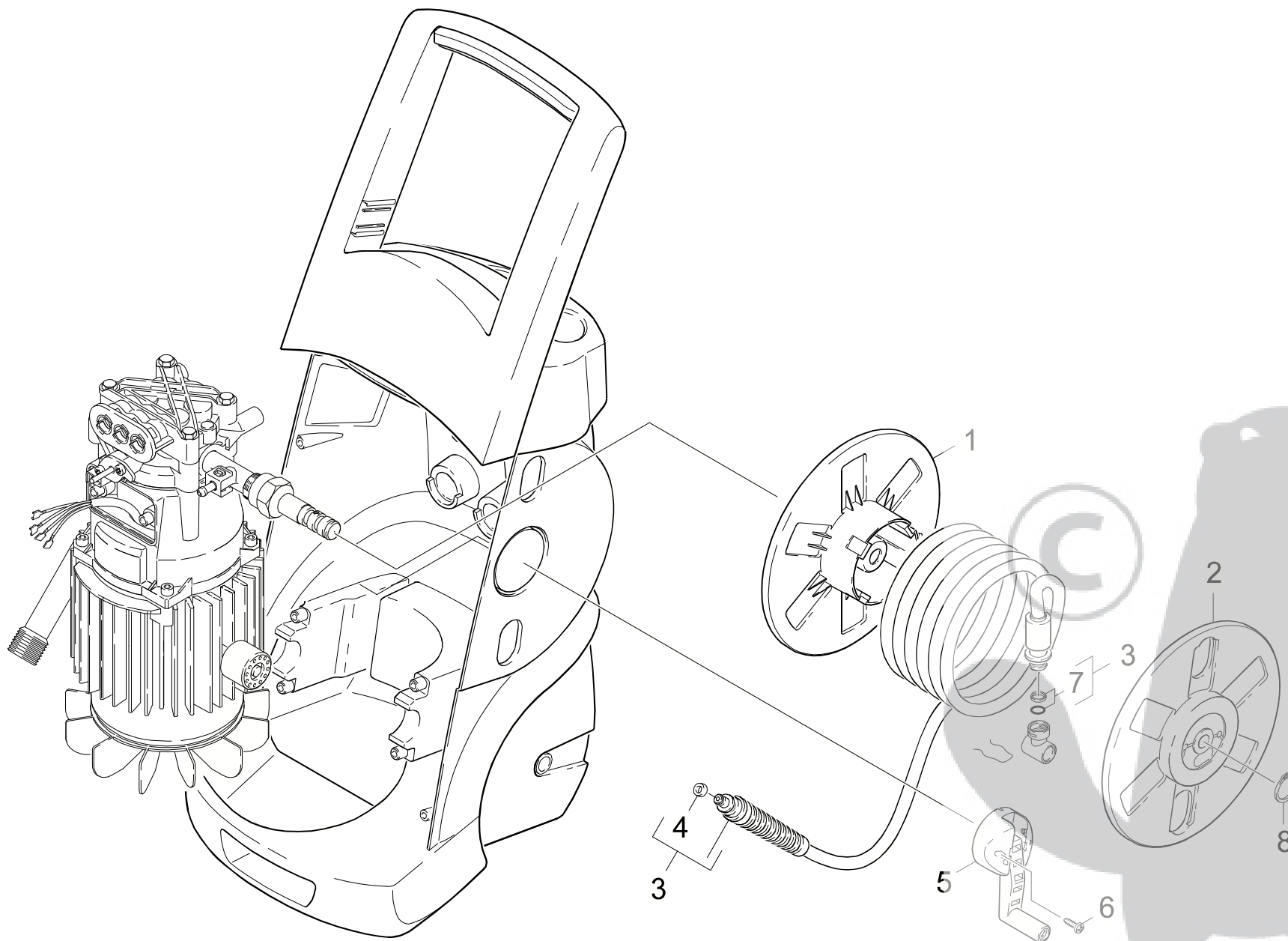
E1

K6.80

| POS. ITM. POS. | BENNENUNG DESCRIPTION DESIGNATION | TEILE-NR. PART-NO. NO.PIECE | STCK QTY. NBR. |
|----------------------|--|-----------------------------------|----------------------|
| 1 | HALTER PISTOLE OBEN / BRACKET / FIXATION | 5.044-690.0 | 1 |
| 2 | RADKAPPE / WHEEL CAB / ENJOLIVEUR | 6.435-663.0 | 2 |
| 3 | SICHERUNGSSCHEIBE / LOCK WASHER / RONDELLE D'ARRET | 6.343-168.0 | 2 |
| 4 | RAD D200 / WHEEL / ROUE | 6.435-662.0 | 2 |
| 5 | HALTER PISTOLE UNTE / BRACKET / FIXATION | 5.044-691.0 | 1 |
| 6 | ACHSE / AXLE / ESSIEU | 5.105-361.0 | 1 |
| 7 | HALTER KABEL / BRACKET / FIXATION | 5.044-632.0 | 1 |
| 8 | SCHRAUBE 5X30 / SCREW / VIS | 9.086-157.0 | 1 |
| 9 | SCHLAUCH DN 5 / HOSE / TUYAU FLEXIBLE | 6.388-216.0 | 1 |
| | ALS METERWARE BESTELLEN/TO ORDER AS CUT GOODS/COMMANDE COMME MARCHANDISE AU METRE | | |
| 10 | TANK -RM KPL. / TANK / RESERVOIR | 4.071-132.0 | 1 |
| 11 | FILTER MIT GEWICHT / FILTER / FILTRE | 5.731-609.0 | 1 |
| 12 | DECKEL RM-TANK KPL. / COVER / COUVERCLE | 4.063-737.0 | 1 |



"=> xxxxxx" = bis Werknummer / up to serial No. / jusqu' au No. de fabr. / "xxxxxx =>" = ab Werknummer / from serial No. / a partir du No. de fabr. /



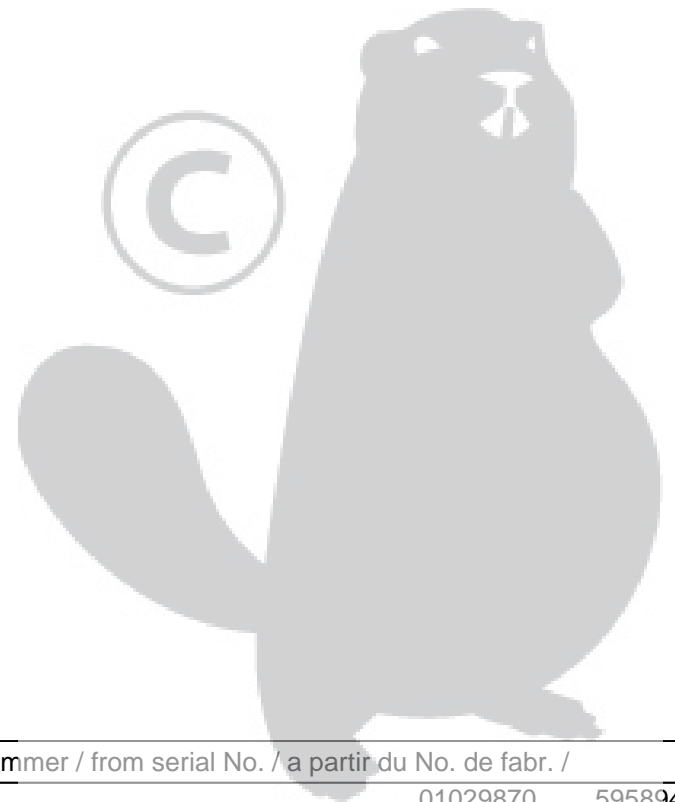
Symbolbeschreibung siehe M16 / symbol description see M16 / désignation de système voir M16 /

GRUPPE: 1.3 SCHLAUCHTROMMEL
GROUP: 1.3 HOSE REEL
GRUPPE: 1.3 TAMBOUR ENROULEUR

G1

K6.80

| POS. ITM. POS. | BENNENNUNG DESCRIPTION DESIGNATION | TEILE-NR. PART-NO. NO.PIECE | STCK QTY. NBR. |
|----------------------|--|-----------------------------------|----------------------|
| 1 | SCHLAUCHTROMMEL / HOSE REEL / TAMBOUR ENROULEUR | 5.776-010.0 | 1 |
| 2 | SCHLAUCHTROMMEL / HOSE REEL / TAMBOUR ENROULEUR | 5.776-011.0 | 1 |
| 3 | HD-M-SCHL. 12/16MPA / HIGH PRESS.-M-HOSE / HD-M-SCHL. 12/16MPA | 4.440-705.0 | 1 |
| 4 | O-RING 6X2 / GASKET / BAQUE D'ETANCHEITE | 6.363-198.0 | 1 |
| 5 | KURBEL SCHLAUCHTROM / CRANK / MANIVELLE | 4.776-029.0 | 1 |
| 6 | SCHRAUBE 4,2X 22 / SCREW / VIS | 6.303-150.0 | 2 |
| 7 | O-RING KPL./1ST.-R. / GASKET / BAQUE D'ETANCHEITE | 6.363-031.0 | 1 |
| 8 | S-SCHEIBE 12 / LOCK WASHER / RONDELLE D'ARRET | 7.343-306.0 | 1 |



"=> xxxxxx" = bis Werknummer / up to serial No. / jusqu' au No. de fabr. / "xxxxxx =>" = ab Werknummer / from serial No. / a partir du No. de fabr. /

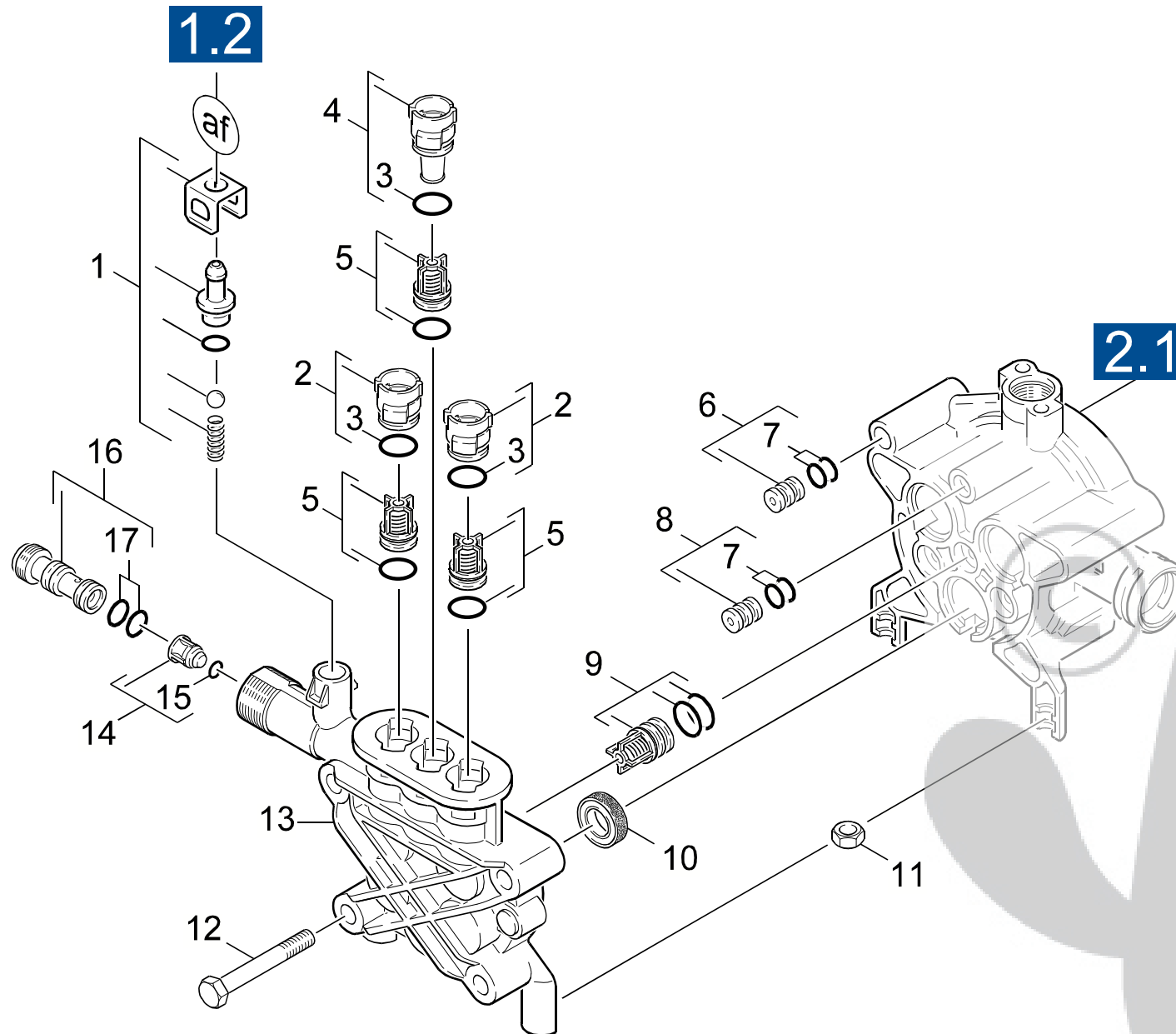
GRUPPE: 2.0 PUMPENSATZ
GROUP: 2.0 PUMP SET
GRUPPE: 2.0 JEU (ENSEMBLE) DE POMPE

A2

K6.80

GRUPPE: 2.0 PUMPENSATZ
GROUP: 2.0 PUMP SET
GRUPPE: 2.0 JEU (ENSEMBLE) DE POMPE





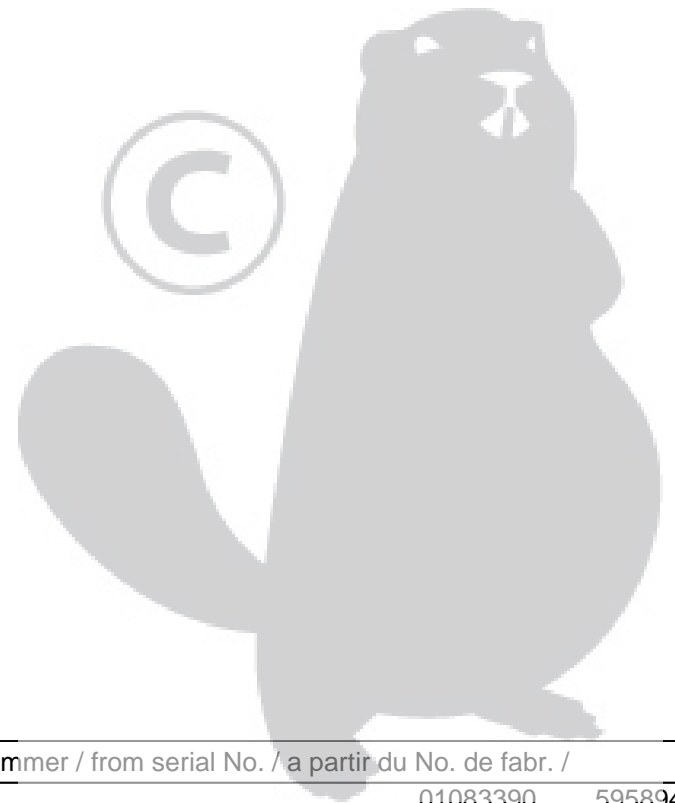
Symbolbeschreibung siehe M16 / symbol description see M16 / désignation de système voir M16 /

GRUPPE: 2.1 ZYLINDERKOPF
GROUP: 2.1 CYLINDER HEAD
GROUPE: 2.1 CULASSE

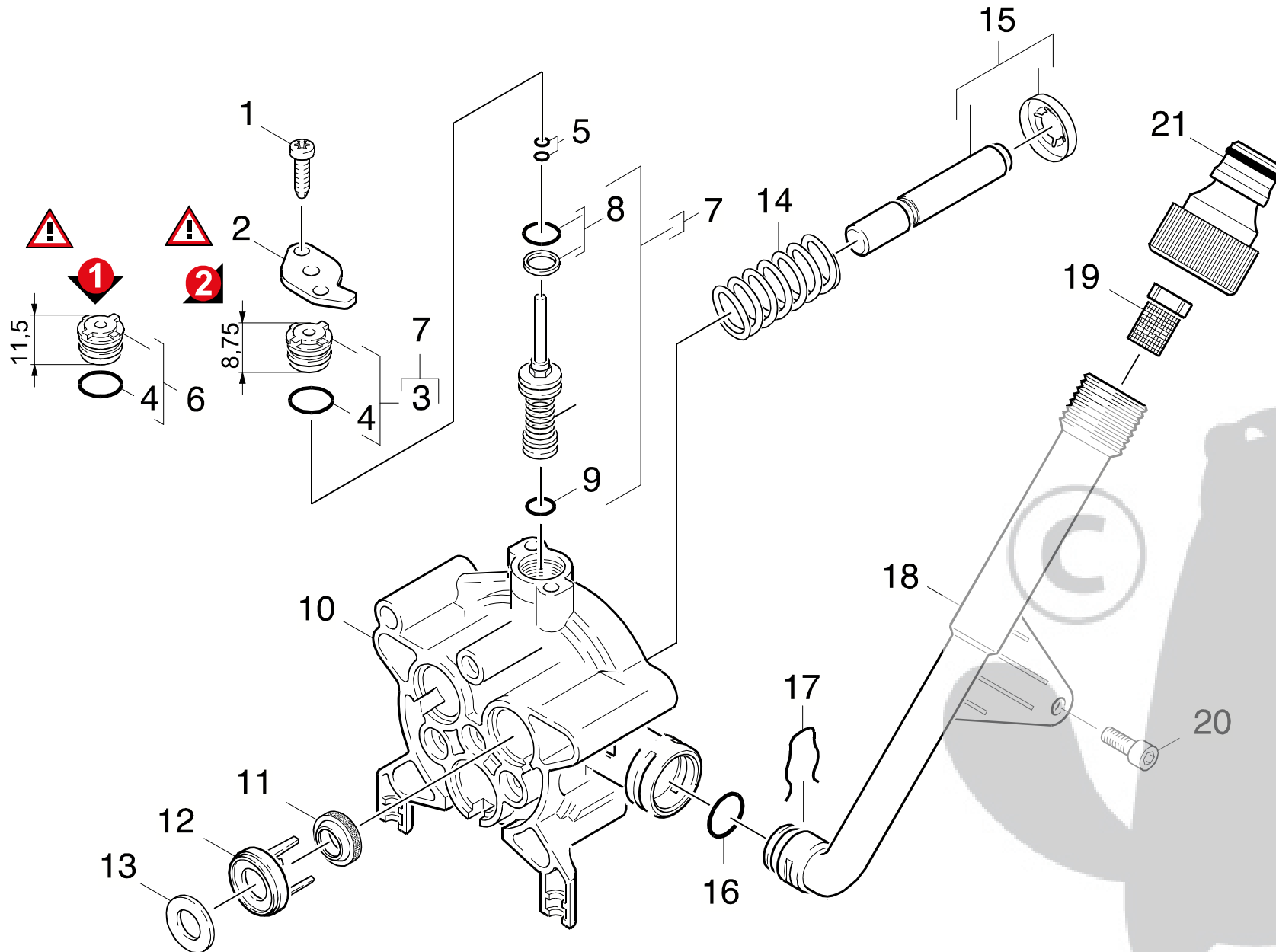
C2

K6.80

| POS. ITM. POS. | BENNENUNG DESCRIPTION DESIGNATION | TEILE-NR. PART-NO. NO.PIECE | STCK QTY. NBR. |
|----------------------|---|-----------------------------------|----------------------|
| 1 | ET-SET NEUTRAL / SPARE PARTS SET / JEU DE PIECES DECHANGE | 2.883-258.0 | 1 |
| 2 | VENTILSTOPFEN KPL. / PLUG / BOUCHON | 4.132-010.0 | 2 |
| 3 | O-RING 11,0 X 2,0 / GASKET / BAQUE D'ETANCHEITE | 6.363-273.0 | 3 |
| 4 | VENTILSTOPFEN KPL. / PLUG / BOUCHON | 4.132-011.0 | 1 |
| 5 | DRUCKVENTIL KPL. / PRESSURE VALVE / SOUPAPE | 4.580-307.0 | 3 |
| 6 | DROSSEL KPL. / THROTTLE / ETRANGLEMENT | 4.030-070.0 | 1 |
| 7 | O-RING 6,07X 1,78 / GASKET / BAQUE D'ETANCHEITE | 6.362-176.0 | 4 |
| 8 | VERBINDUNGSSTUECK / JOINING PIECE / PIECE DE JONCTION | 4.030-045.0 | 1 |
| 9 | SAUGVENTIL KPL. / SUCTION VALVE / SOUPAPE | 4.580-603.0 | 3 |
| 10 | NUTRING / GROOVED RING / JOINT A LEVRES | 6.365-394.0 | 3 |
| 11 | 6KT-MUTTER M 6 / HEXAGON NUT / ECROU HEXAGONAL | 7.311-003.0 | 2 |
| 12 | 6KT-SCHR. M 8X 80 / HEXAGONAL HEAD SCREW / VIS HEXAGONAL | 7.304-098.0 | 4 |
| 13 | ZYLINDERKOPF / CYLINDER HEAD / CULASSE | 5.550-260.0 | 1 |
| 14 | VENTILBOLZEN KPL. / VALVE PIN / BOULON DE SOUPAPE | 4.584-022.0 | 1 |
| 15 | O-RING 4 X 2 / GASKET / BAQUE D'ETANCHEITE | 6.362-851.0 | 1 |
| 16 | DUESENEINSATZ / NOZZLE INSERT / INSERT DE BUSE | 4.769-043.0 | 1 |
| 17 | O-RING 9,0 X 1,5 / GASKET / BAQUE D'ETANCHEITE | 6.362-384.0 | 1 |



"=> xxxxxx" = bis Werknummer / up to serial No. / jusqu' au No. de fabr. / "xxxxxx =>" = ab Werknummer / from serial No. / a partir du No. de fabr. /



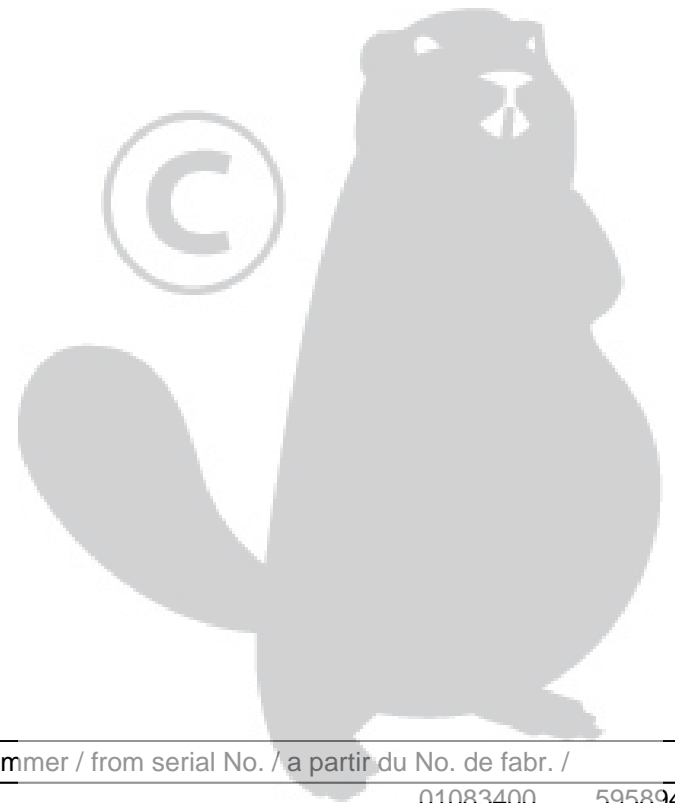
Symbolbeschreibung siehe M16 / symbol description see M16 / désignation de système voir M16 /

GRUPPE: 2.2 GERADSCHUBFUEHRUNG
GROUP: 2.2 THRUST GUIDANCE
GROUPE: 2.2 BOITIER

E2

K6.80

| POS. ITM. POS. | BENNENUNG DESCRIPTION DESIGNATION | TEILE-NR. PART-NO. NO.PIECE | STCK QTY. NBR. |
|----------------------|---|-----------------------------------|----------------------|
| 1 | SCHRAUBE M 6X 20 / SCREW / VIS | 7.303-048.0 | 2 |
| 2 | DECKEL / COVER / COUVERCLE | 5.064-127.0 | 1 |
| 3 | FORMTEIL KPL. / MOULDED PART / PREFORME | 4.030-123.0 | 1 |
| | VERSION 2 | | |
| 4 | O-RING 12,0 X 2,0 / GASKET / BAQUE D'ETANCHEITE | 6.362-169.0 | 1 |
| 5 | O-RING 3,69 KPL. / GASKET / BAQUE D'ETANCHEITE | 6.362-852.0 | 1 |
| 6 | FORMTEIL KPL. / MOULDED PART / PREFORME | 4.030-069.0 | 1 |
| | VERSION 1 | | |
| 7 | UEBERSTROEMER KPL. / SPILL VALVE / VALVE DE BARRAGE | 4.580-617.0 | 1 |
| 8 | O-RING 12,42 KOMPL. / GASKET / BAQUE D'ETANCHEITE | 6.363-174.0 | 1 |
| 9 | O-RING 9 X 2 / GASKET / BAQUE D'ETANCHEITE | 6.362-958.0 | 1 |
| 10 | KOLBENFUEHRUNG / PISTON GUIDANCE / GARDE DE PISTON | 5.060-943.0 | 1 |
| 11 | NUTRING 12X20X4/6 / GROOVED RING / JOINT A LEVRES | 6.365-393.0 | 3 |
| 12 | SCHEIBE / WASHER / RONDELLE | 5.116-062.0 | 3 |
| 13 | SCHEIBE / WASHER / RONDELLE | 5.115-721.0 | 3 |
| 14 | DRUCKFEDER / PRESSURE SPRING / RESSORT A PRESSION | 5.332-391.0 | 3 |
| 15 | KOLBEN KPL. D12 / PISTON / PISTON | 4.553-228.0 | 3 |
| 16 | O-RING 13X3 NBR 70 / GASKET / BAQUE D'ETANCHEITE | 6.363-038.0 | 1 |
| 17 | KLAMMER / CLAMP / BRIDE DE FIXATION | 5.048-915.0 | 1 |
| 18 | ROHR / WASSERZULAUF / PIPE / TUYAU | 5.029-070.0 | 1 |
| 19 | SIEB / STRAINER / CREPINE | 6.414-252.0 | 1 |
| 20 | SCHRAUBE M 5X 8 / SCREW / VIS | 7.303-036.0 | 1 |
| 21 | ANSCHLUSS 3/4" / CONNECTION / RACCORD | 6.389-870.0 | 1 |



"=> xxxxxx" = bis Werknummer / up to serial No. / jusqu' au No. de fabr. / "xxxxxx =>" = ab Werknummer / from serial No. / a partir du No. de fabr. /