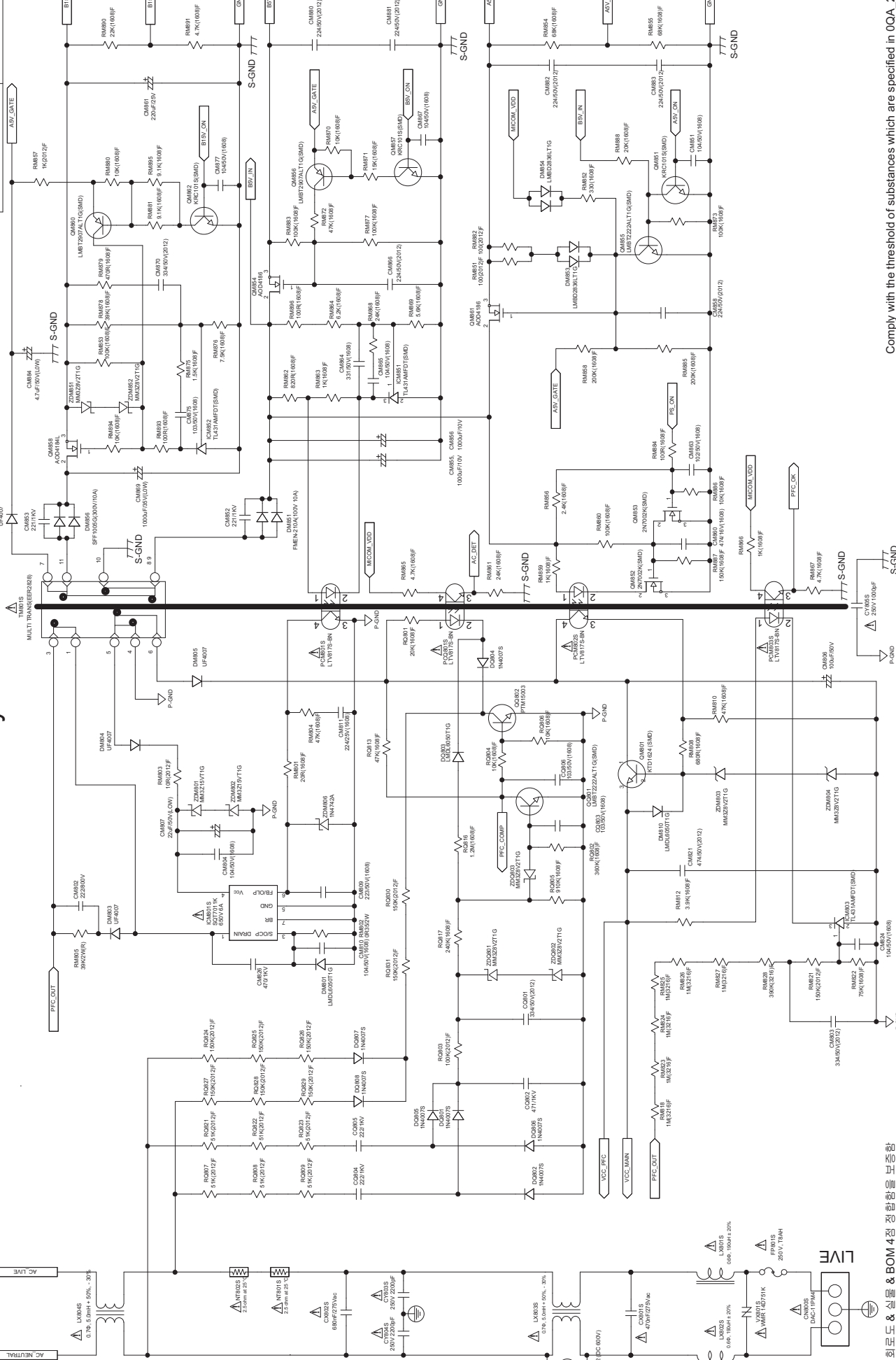


<p>DongYang E&amp;P Ind. CO.LTD</p>	<p>SPECIFICATION P43HW_CDY (CIRCUIT DRAWING)</p>	<p>STD RECORD NO. PAGE PUB. DATE PAGE REV. DATE</p>	<p>BN44-00508B 2011.11.10 2012.02.03</p>
<h1>4. CIRCUIT DRAWING</h1>			

HOT Stand by & Multi Block COLD



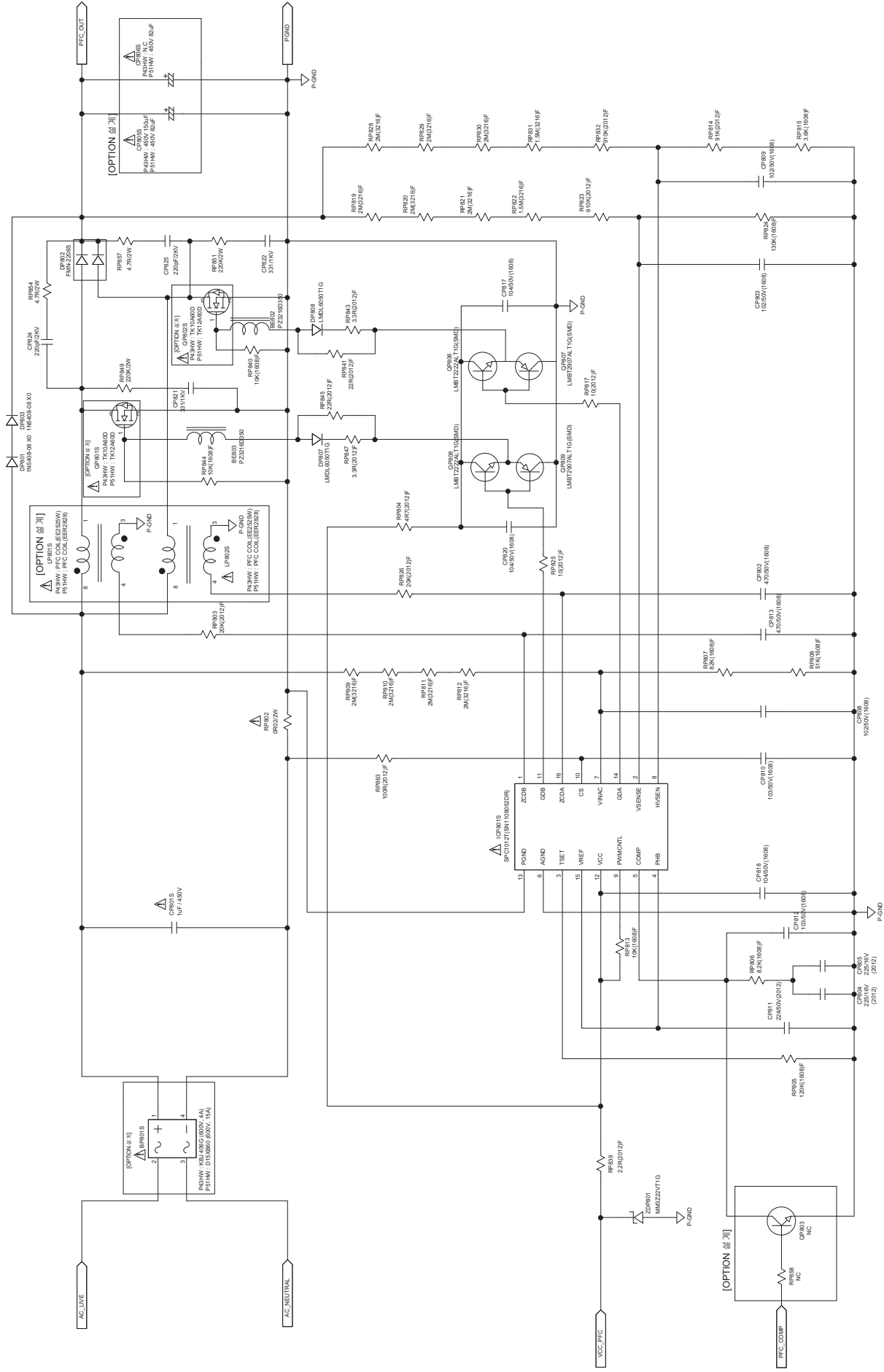
DATE: 2012-02-08	SCALE	REVISION	CHECKED
USER	MODEL NAME	PDM NUMBER	APPROVED
	PS1W_C01	PS1W_C01	
	PS1W_C01	PS1W_C01	
	PS1W_C01	PS1W_C01	

PL & 회로도 & 실물 & BOM 4장 정합성을 보증함

NOTE N.C.: No Connection

Comply with the threshold of substances which are specified in OCA\_2049

# PFC Block



PL & 회로도 & 실물 & BOM 4장 정합함을 보증함

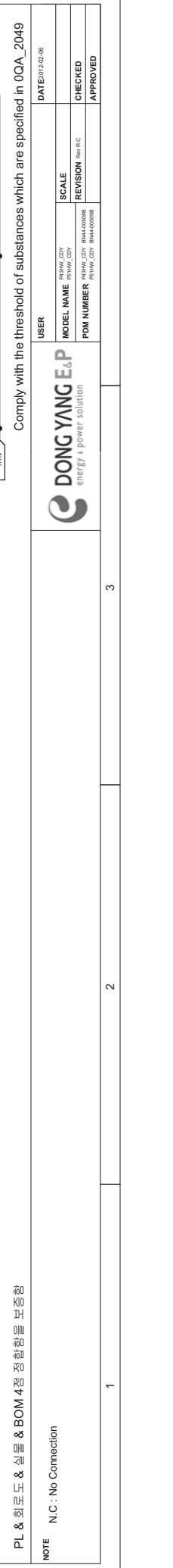
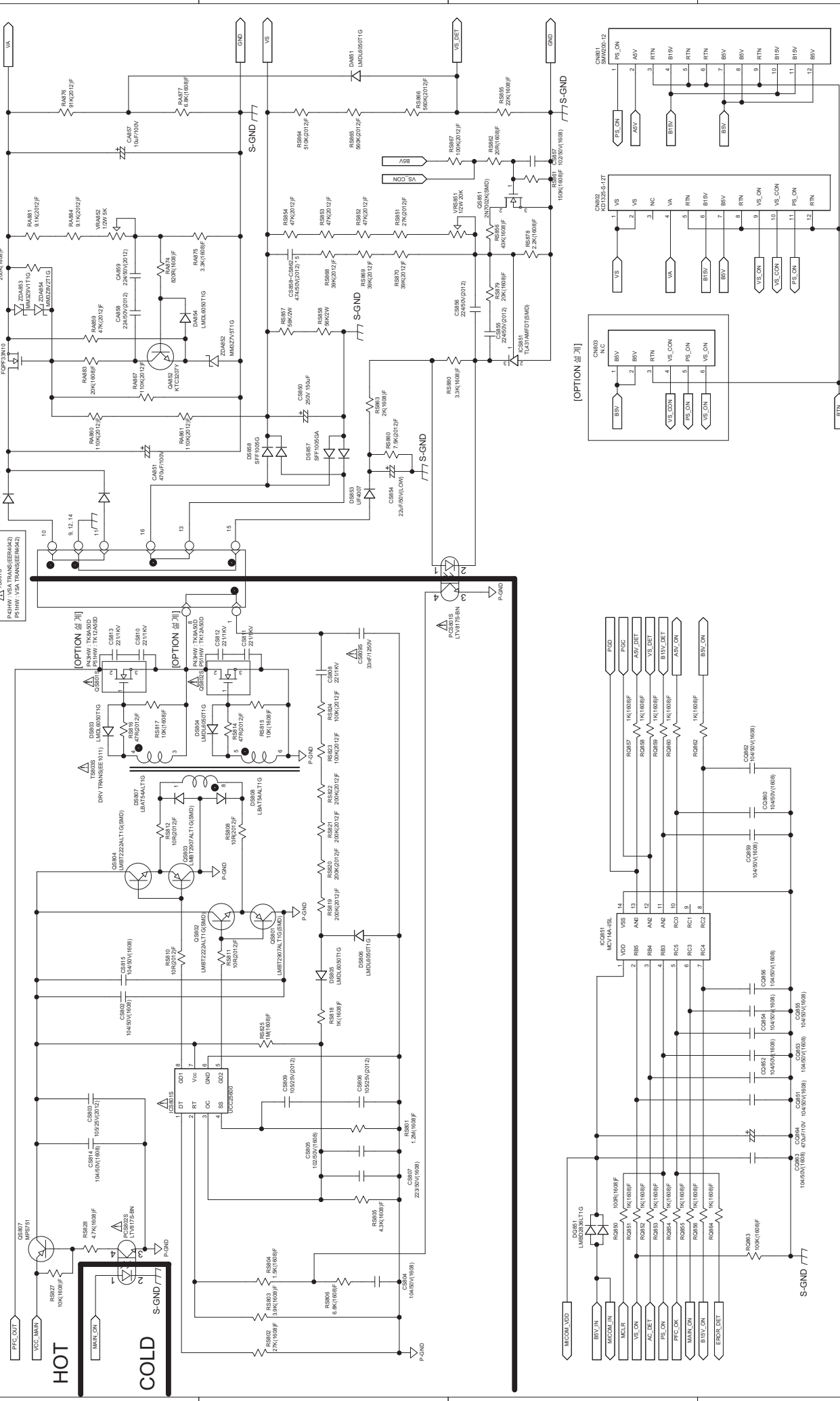
Comply with the threshold of substances which are specified in OCA\_2049

DATE: 2023.02.08	USER	SCALE	CHECKED
MODEL NAME P31HW_C01	REVISION Rev:FC	REVISION	APPROVED
PDM NUMBER B04-00008	P31HW_C01 B04-00008		
DONGYANG E&P energy + power solution			
PFC Block			
PL & 회로도 & 실물 & BOM 4장 정합함을 보증함			
NOTE N.C : No Connection			

VSA Block

HOT

COLD



PL & 회로도 & 실물 & BOM 4장 정합성을 보증함

NOTE N.C.: No Connection

DATE: 2012-02-08
USER: R3HW_C01, R3HW_C02, R3HW_C03, R3HW_C04, R3HW_C05, R3HW_C06, R3HW_C07, R3HW_C08, R3HW_C09, R3HW_C10, R3HW_C11, R3HW_C12, R3HW_C13, R3HW_C14, R3HW_C15, R3HW_C16, R3HW_C17, R3HW_C18, R3HW_C19, R3HW_C20, R3HW_C21, R3HW_C22, R3HW_C23, R3HW_C24, R3HW_C25, R3HW_C26, R3HW_C27, R3HW_C28, R3HW_C29, R3HW_C30, R3HW_C31, R3HW_C32, R3HW_C33, R3HW_C34, R3HW_C35, R3HW_C36, R3HW_C37, R3HW_C38, R3HW_C39, R3HW_C40, R3HW_C41, R3HW_C42, R3HW_C43, R3HW_C44, R3HW_C45, R3HW_C46, R3HW_C47, R3HW_C48, R3HW_C49, R3HW_C50, R3HW_C51, R3HW_C52, R3HW_C53, R3HW_C54, R3HW_C55, R3HW_C56, R3HW_C57, R3HW_C58, R3HW_C59, R3HW_C60, R3HW_C61, R3HW_C62, R3HW_C63, R3HW_C64, R3HW_C65, R3HW_C66, R3HW_C67, R3HW_C68, R3HW_C69, R3HW_C70, R3HW_C71, R3HW_C72, R3HW_C73, R3HW_C74, R3HW_C75, R3HW_C76, R3HW_C77, R3HW_C78, R3HW_C79, R3HW_C80, R3HW_C81, R3HW_C82, R3HW_C83, R3HW_C84, R3HW_C85, R3HW_C86, R3HW_C87, R3HW_C88, R3HW_C89, R3HW_C90, R3HW_C91, R3HW_C92, R3HW_C93, R3HW_C94, R3HW_C95, R3HW_C96, R3HW_C97, R3HW_C98, R3HW_C99, R3HW_C100
SCALE: REV: P/C
REVISION: REV: P/C
CHECKED: APPROVED

DATE: 2012-02-08
USER: R3HW_C01, R3HW_C02, R3HW_C03, R3HW_C04, R3HW_C05, R3HW_C06, R3HW_C07, R3HW_C08, R3HW_C09, R3HW_C10, R3HW_C11, R3HW_C12, R3HW_C13, R3HW_C14, R3HW_C15, R3HW_C16, R3HW_C17, R3HW_C18, R3HW_C19, R3HW_C20, R3HW_C21, R3HW_C22, R3HW_C23, R3HW_C24, R3HW_C25, R3HW_C26, R3HW_C27, R3HW_C28, R3HW_C29, R3HW_C30, R3HW_C31, R3HW_C32, R3HW_C33, R3HW_C34, R3HW_C35, R3HW_C36, R3HW_C37, R3HW_C38, R3HW_C39, R3HW_C40, R3HW_C41, R3HW_C42, R3HW_C43, R3HW_C44, R3HW_C45, R3HW_C46, R3HW_C47, R3HW_C48, R3HW_C49, R3HW_C50, R3HW_C51, R3HW_C52, R3HW_C53, R3HW_C54, R3HW_C55, R3HW_C56, R3HW_C57, R3HW_C58, R3HW_C59, R3HW_C60, R3HW_C61, R3HW_C62, R3HW_C63, R3HW_C64, R3HW_C65, R3HW_C66, R3HW_C67, R3HW_C68, R3HW_C69, R3HW_C70, R3HW_C71, R3HW_C72, R3HW_C73, R3HW_C74, R3HW_C75, R3HW_C76, R3HW_C77, R3HW_C78, R3HW_C79, R3HW_C80, R3HW_C81, R3HW_C82, R3HW_C83, R3HW_C84, R3HW_C85, R3HW_C86, R3HW_C87, R3HW_C88, R3HW_C89, R3HW_C90, R3HW_C91, R3HW_C92, R3HW_C93, R3HW_C94, R3HW_C95, R3HW_C96, R3HW_C97, R3HW_C98, R3HW_C99, R3HW_C100
SCALE: REV: P/C
REVISION: REV: P/C
CHECKED: APPROVED

DongYang E&P Ind. CO.LTD	SPECIFICATION P43HW_CDY (BLOCK DIAGRAM PART)	STD RECORD NO. PAGE PUB. DATE PAGE REV. DATE	BN44-00508B 2011.11.10 2012.02.03
<h1>5. BLOCK DIAGRAM PART</h1>			

