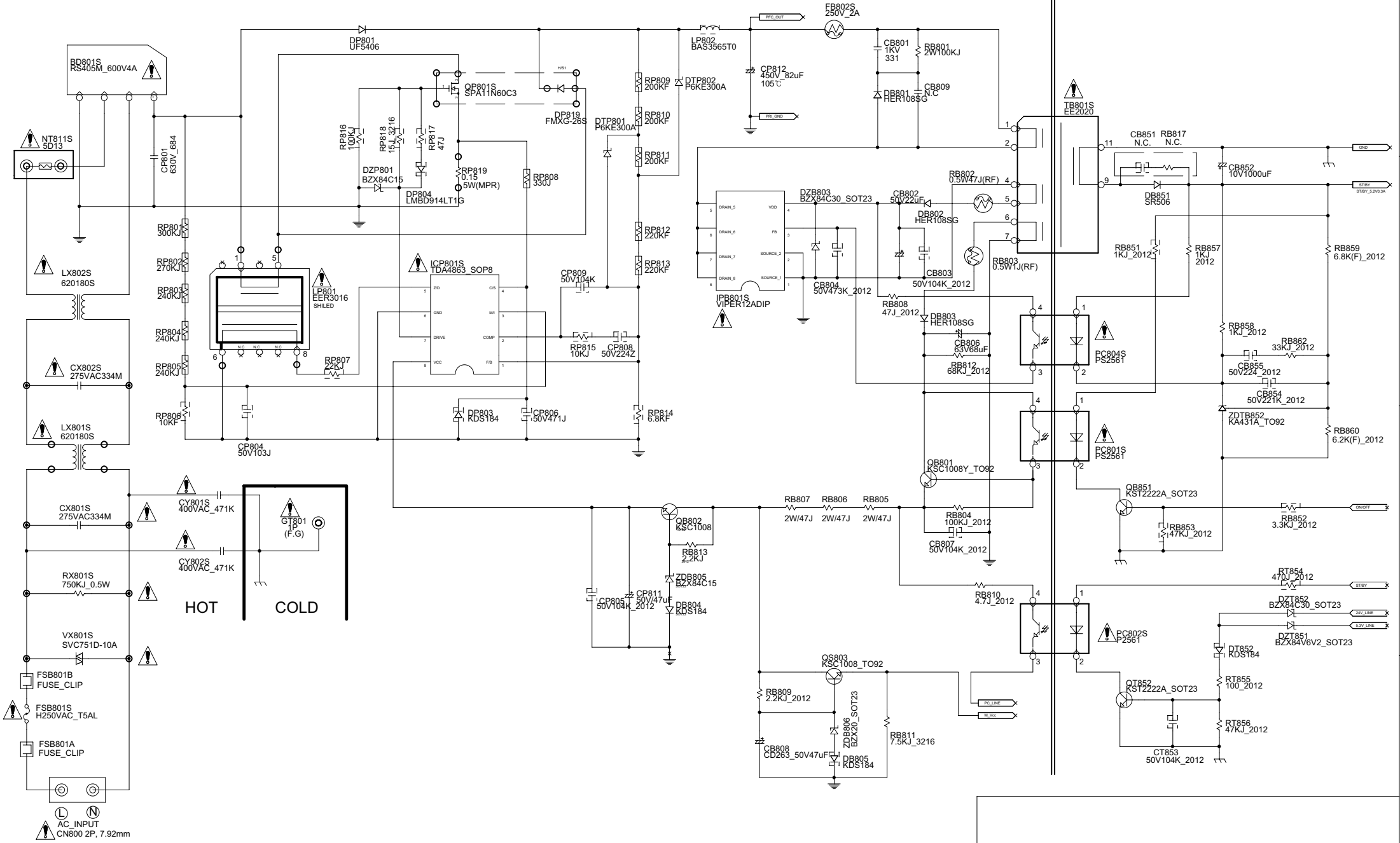


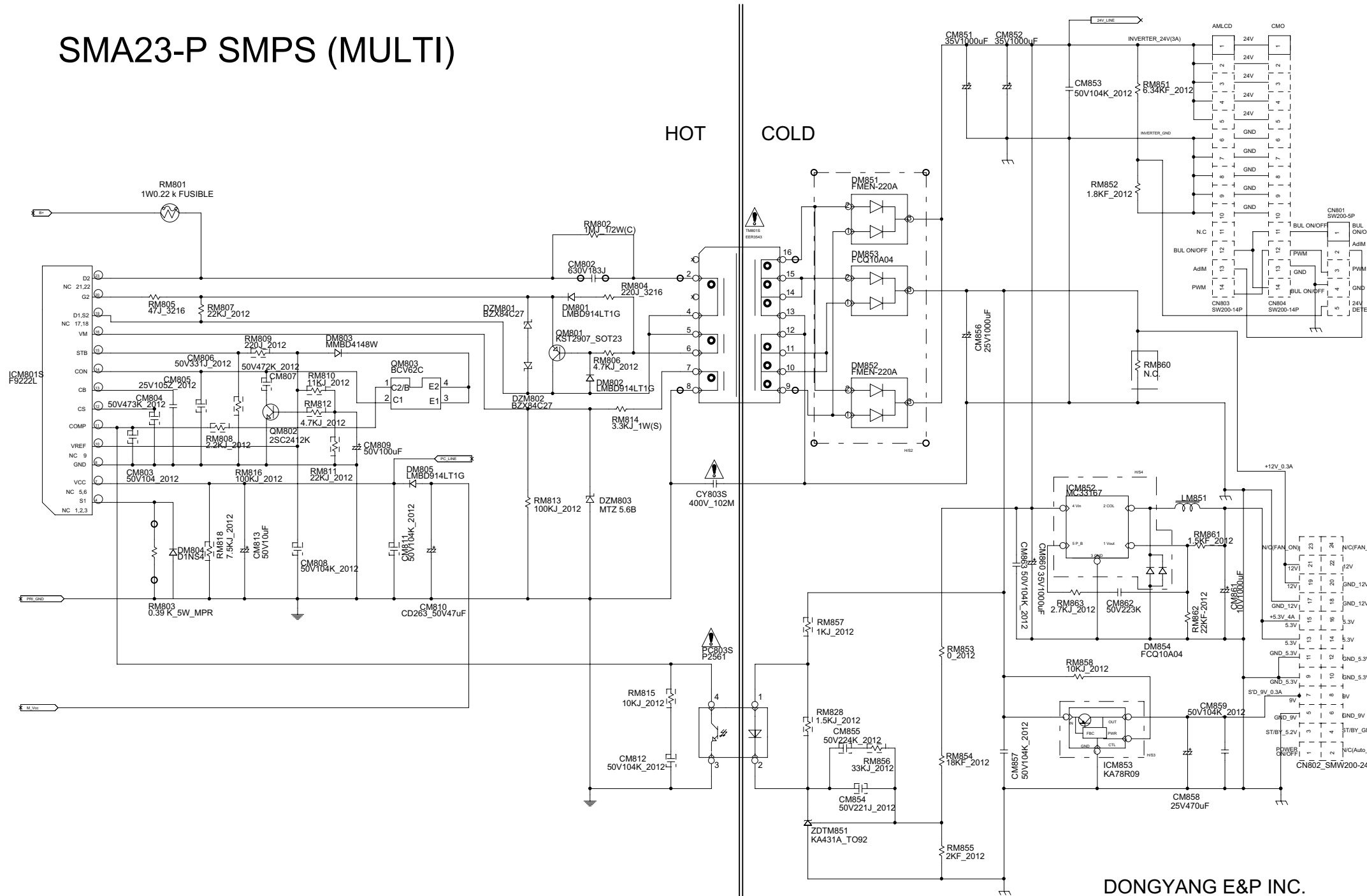
SMA23-P SMPS [PFC, Stand_by Circuit]



DONGYANG E&P INC.

R:CHP[2012]	C:CHP[2012]	TRG TITLE	TITLE
REV TITLE	REV TITLE	REV TITLE	REV TITLE
DATE TITLE	DATE TITLE	DATE TITLE	DATE TITLE

SMA23-P SMPS (MULTI)



DONGYANG E&P INC.

TRG	TITLE	TITLE	TITLE
Size	No.	Rev.	
TITLE	TITLE	TITLE	TITLE
FILE	TITLE	Date	Time