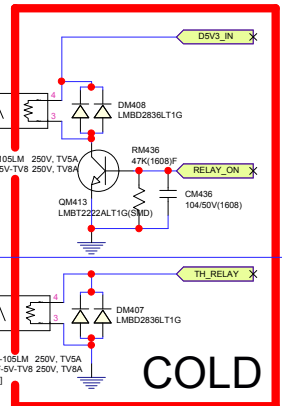


HOT

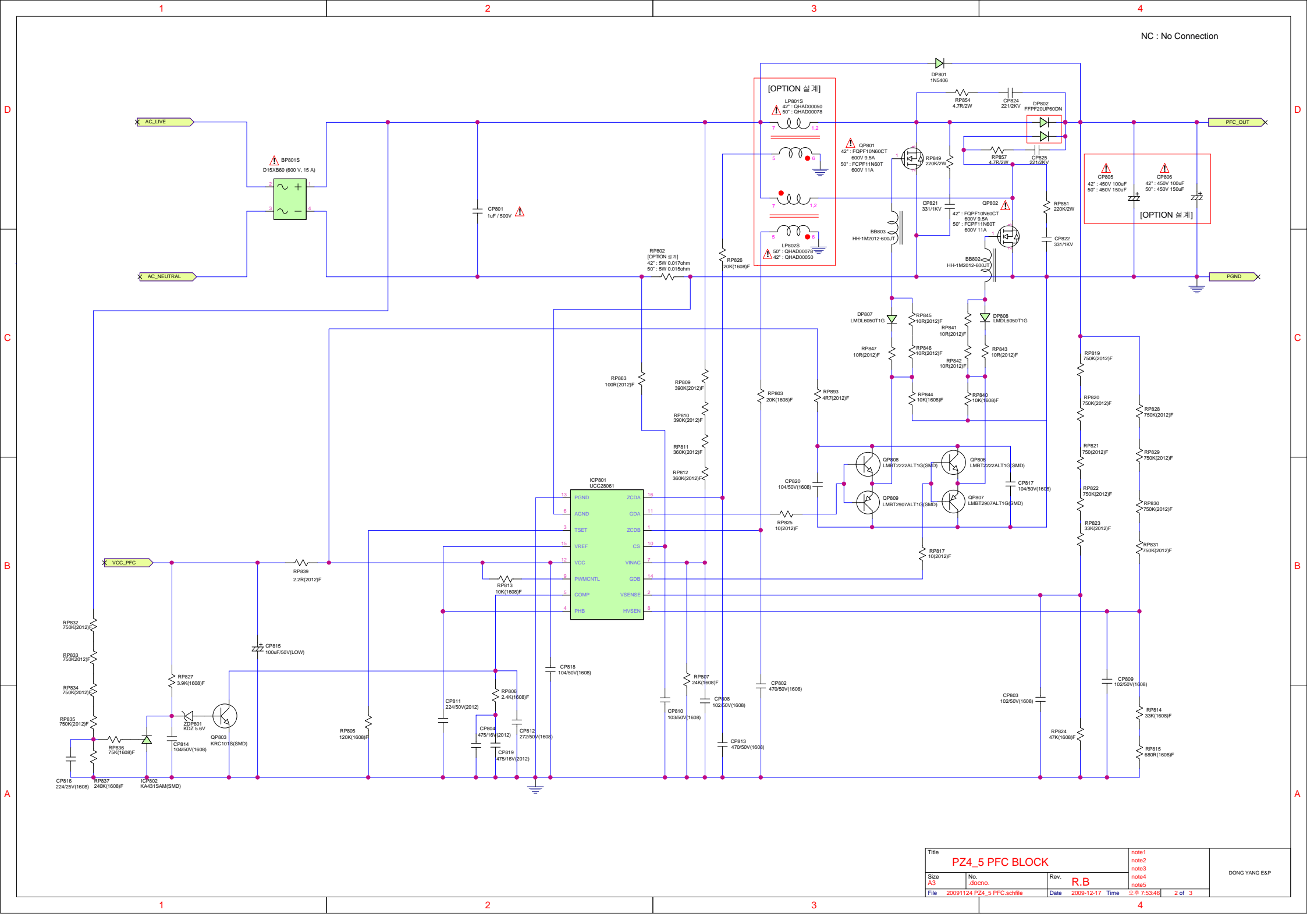
COLD

NC : No Connection



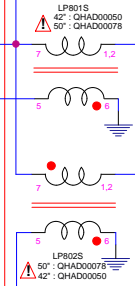
COLD

Title		PZ4_5 STAND+MULTI BLOCK		note1	DONG YANG E & P
Size	No.	Rev.	R.B	note2	
A3	docno.	Date	2009-12-31	note3	
File	20091219 PZ4_5 STAND+MULTI.schfile		Time	2:30.038	
				1 of 3	

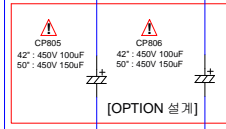


NC : No Connection

[OPTION 설계]



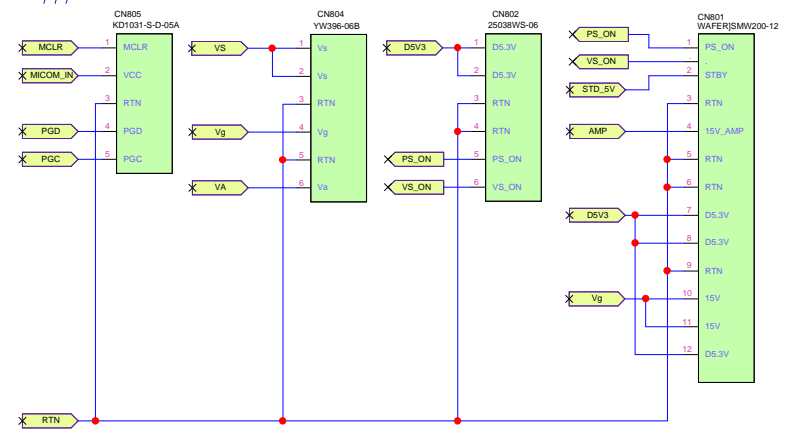
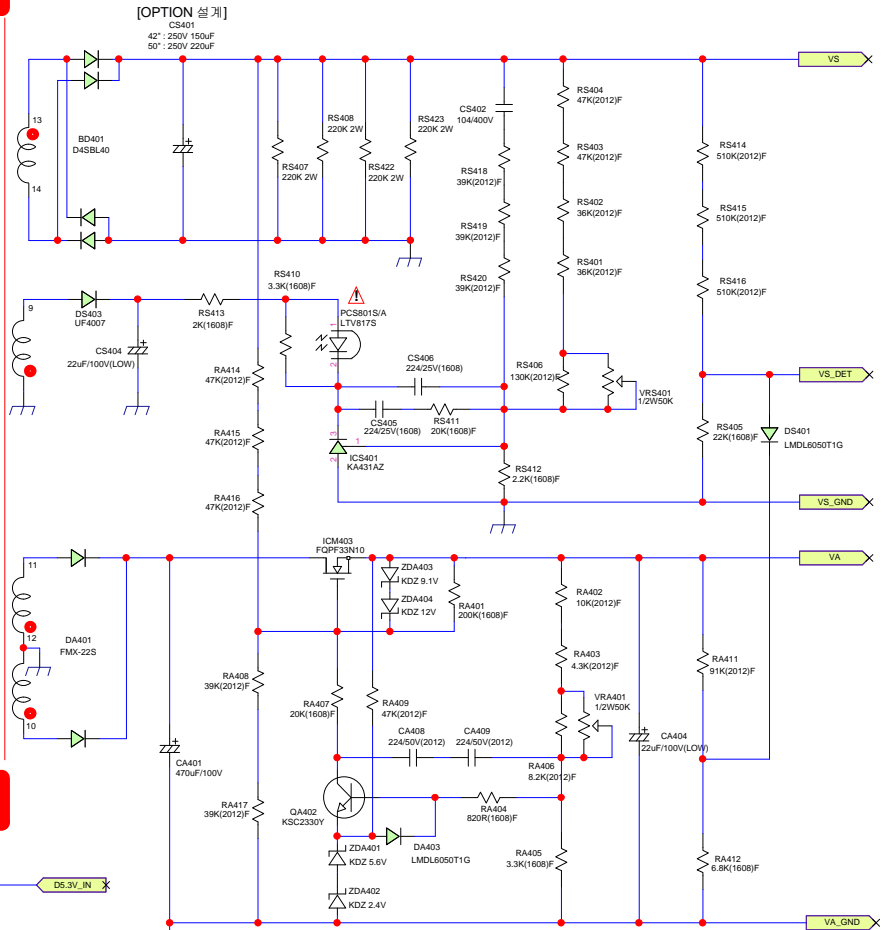
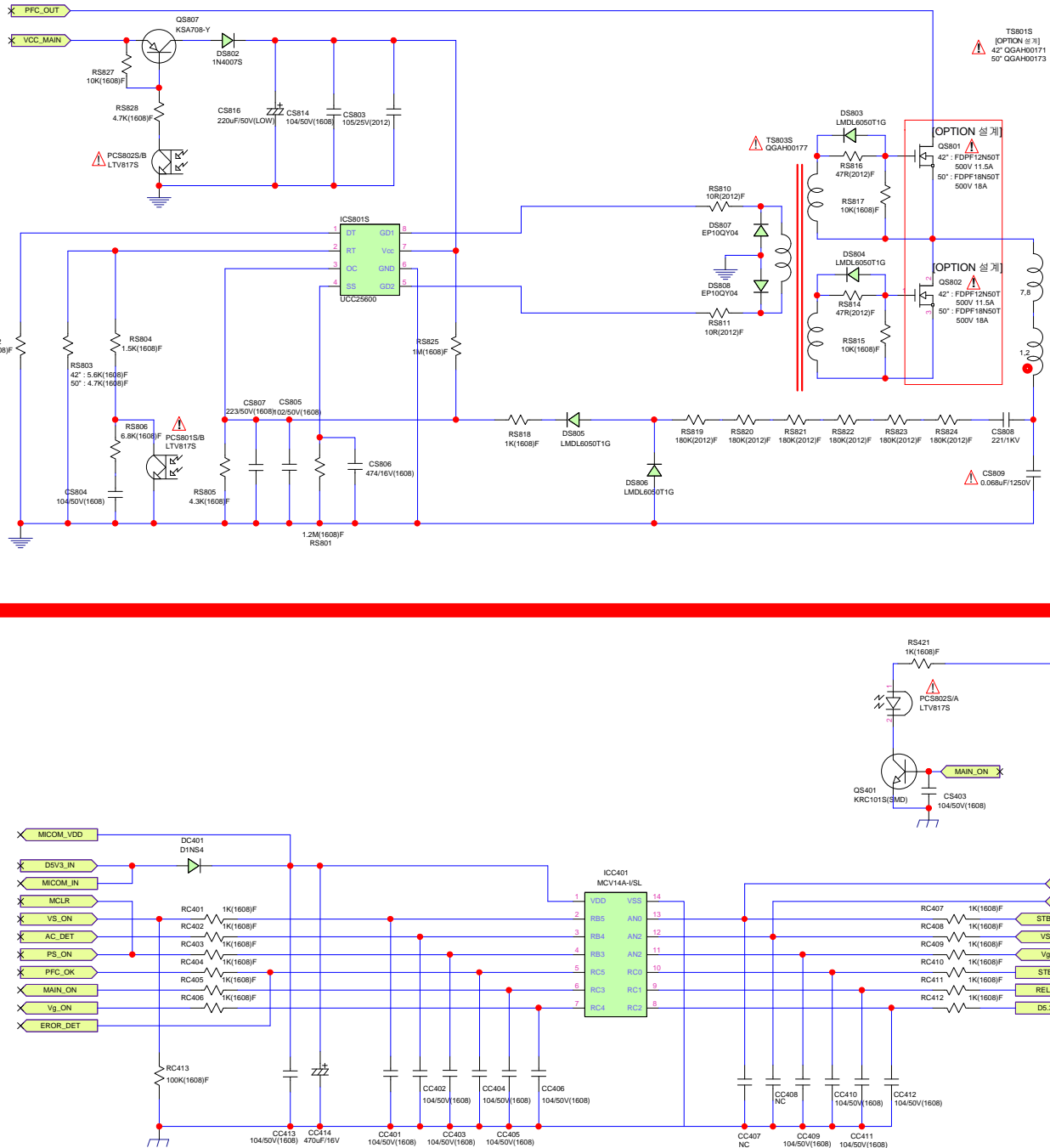
[OPTION 설계]



Title		PZ4_5 PFC BLOCK		note1	DONG YANG E&P
Size	A3	No.	.docno.	note2	
Rev.	R.B	Date	2009-12-17	note3	
File	20091124 PZ4_5 PFC.schfile	Time	2009-12-17 7:53:46	note4	
				note5	
				2 of 3	

HOT COLD

NC : No Connection



Title		PZ4_5 Vs+Va BLOCK		Rev.		R.B	
Size	A3	No.	docno.	Date	2009-12-23	Time	10:26:19
File	20091219 PZ4_5 VS+VA.schfile			Date	2009-12-23	Time	10:26:19
				Page		3 of 3	