

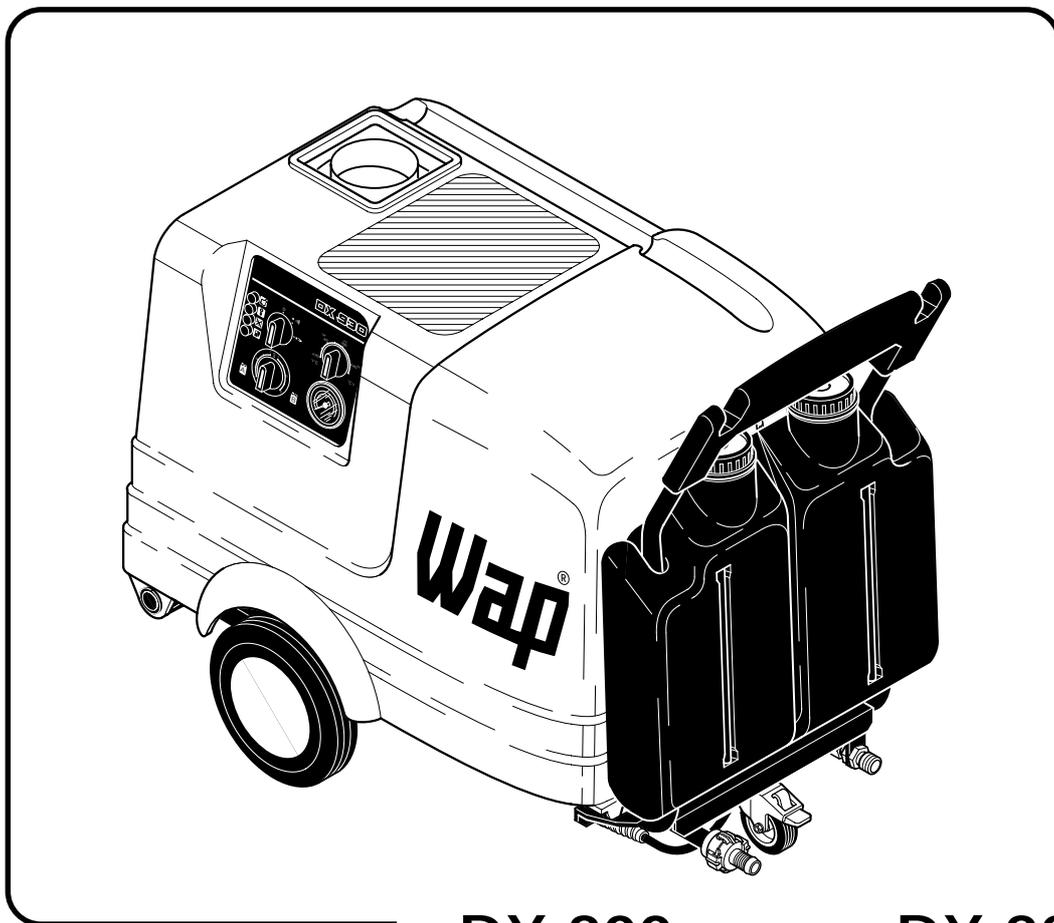
Preisabfragen und Bestellungen der Artikel im Shop unter

[www.wapalto-shop.de](http://www.wapalto-shop.de)

(einfach Artikelnummer in die Suchmaske eingeben)

# Wap<sup>®</sup>

## Ersatzteilliste Spare Parts List Pièces détachées



**DX 800**

**DX 800 S**

**DX 810**

**DX 810 Euro**

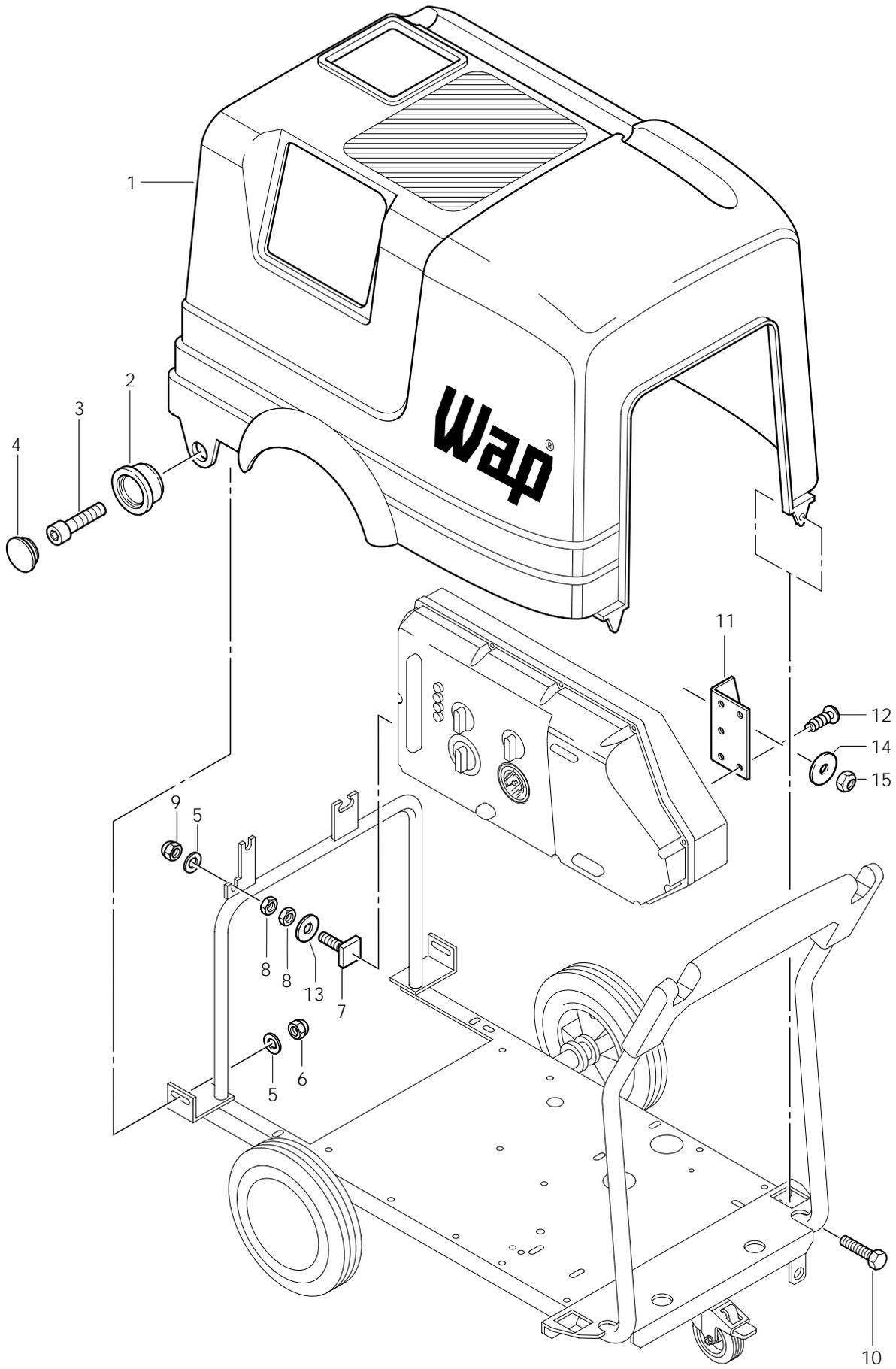
**DX 820**

**DX 830**

**DX 830 S**

**DX 930**

DX800  
DX800S  
DX810  
DX810Euro  
DX820  
DX830  
DX830S  
DX930



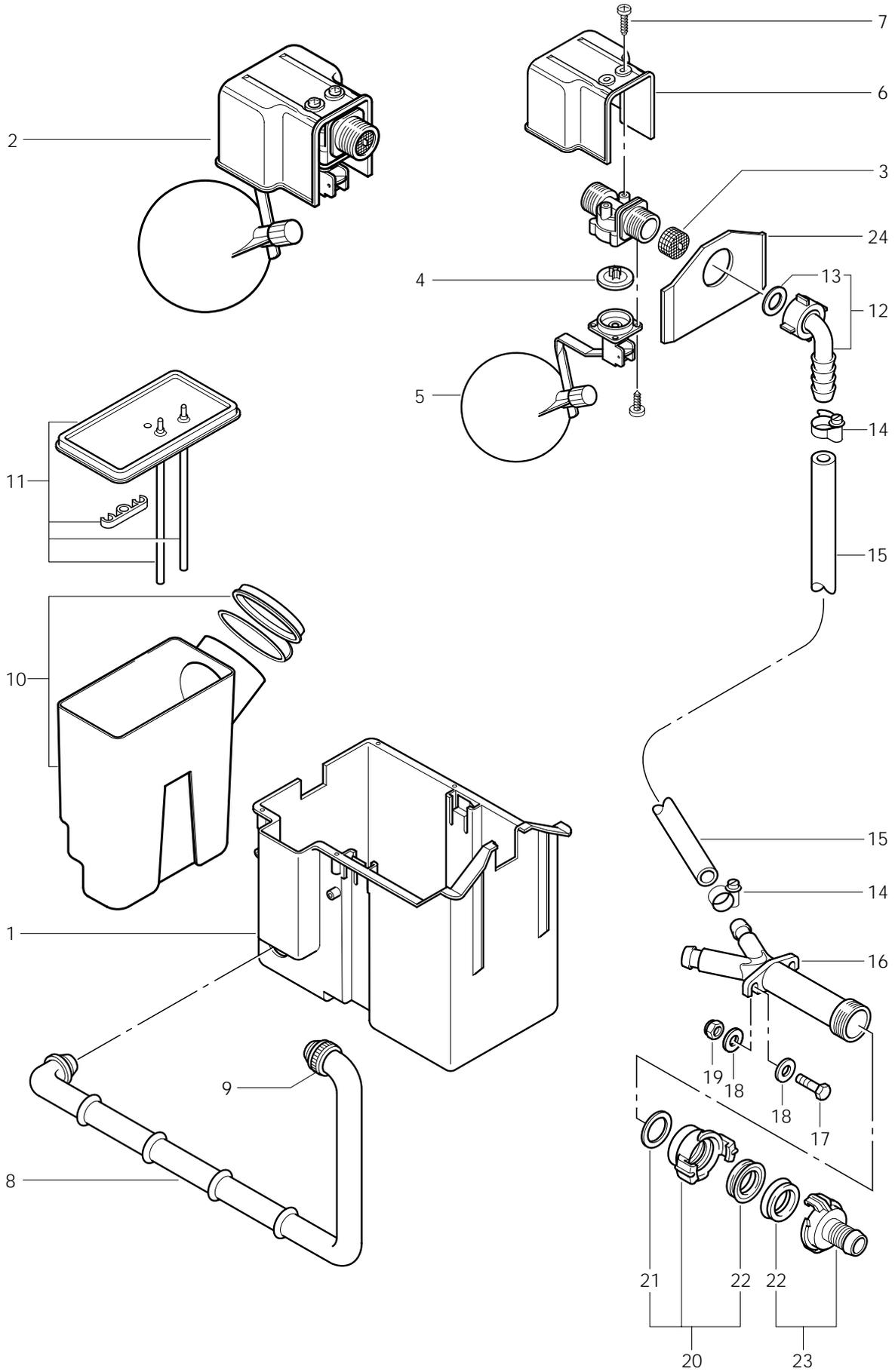
| POS. | NO.    | BEZEICHNUNG  | DESCRIPTION              | DESIGNATION                   |
|------|--------|--|--------------------------|-------------------------------|
| 1    | 200083 | Haube<br>einschließlich Klebeschilder                        | Cover                    | Capot                         |
|      | 48025  | Haube BP<br>ohne Klebeschilder                               | Cover "BP"               | Capot "BP"                    |
|      | 48024  | Haube (offen) "Esso"<br>ohne Klebeschilder                   | Cover "Esso"             | Capot "Esso"                  |
|      | 48023  | Haube Aral<br>ohne Klebeschilder                             | Cover "Aral"             | Capot "Aral"                  |
|      | 29985  | Haube DX (offen) "DEA"<br>Klebeschild DEA-Logo Art.Nr. 43244 | Cover "DEA"              | Capot "DEA"                   |
| 2    | 43951  | Lagerbuchse  | Bushing                  | Entretoise                    |
| 3    | 8894   | Zyl. Schraube M 8x 20  | Socket head cap screw M  | Vis cylindrique M8x20 DIN 9   |
| 4    | 43952  | Stopfen  | Plug                     | Bouchon                       |
| 5    | 2762   | Scheibe A 8,4  | Washer A8,4 DIN 125      | Rondelle A8,4 DIN 125         |
| 6    | 6052   | Mutter M 8   | Hexagon nut M8 DIN 985   | Ecrou 6 pans M8 DIN 985       |
| 7    | 46347  | Vierkantschraube M8x1x30                                     | Screw M8x1x30            | Vis 4 pans M8x1x30            |
| 8    | 16135  | Mutter M 8x1   | Hexagon nut M8x1 DIN 4   | Ecrou 6 pans M8x1 DIN 439     |
| 9    | 15808  | Mutter M 8x1   | Hexagon nut M8x1 DIN 9   | Ecrou 6 pans M8x1 DIN 985     |
| 10   | 3345   | Skt. Schraube M8x70  | Hexagon cap screw M8x7   | Vis 6 pans M8x70 DIN 933      |
| 11   | 44554  | Winkel   | Angle                    | Equerre                       |
| 12   | 10028  | Schraube KA50x14   | Screw PT 5x14            | Vis autotaraudeuse PT 5x14    |
| 13   | 2793   | Scheibe A 8,4  | Washer A8,4 DIN 9021     | Rondelle A8,4 DIN 9021        |
| 14   | 2793   | Scheibe A 8,4  | Washer A8,4 DIN 9021     | Rondelle A8,4 DIN 9021        |
| 15   | 17626  | Mutter M 8   | Hexagon nut M8 DIN 692   | Ecrou 6 pans M8 DIN 6925      |
| 16   | 46928  | Klebeschild "Wap"<br>schwarz - ohne Abbildung                | Label 'Wap'              | Etiquette 'Wap'               |
| 17   | 14721  | Klebeschild "Wap"<br>weiß - ohne Abbildung                   | Label 'Wap'              | Etiquette 'Wap'               |
| 18   | 46934  | Klebeschild Betriebsanleitung<br>ohne Abbildung              | Label 'Operating Instr.' | Etiquette 'Instr. de Service' |

DX800  
DX800S  
DX810  
DX810Euro  
DX820  
DX830  
DX830S  
DX930



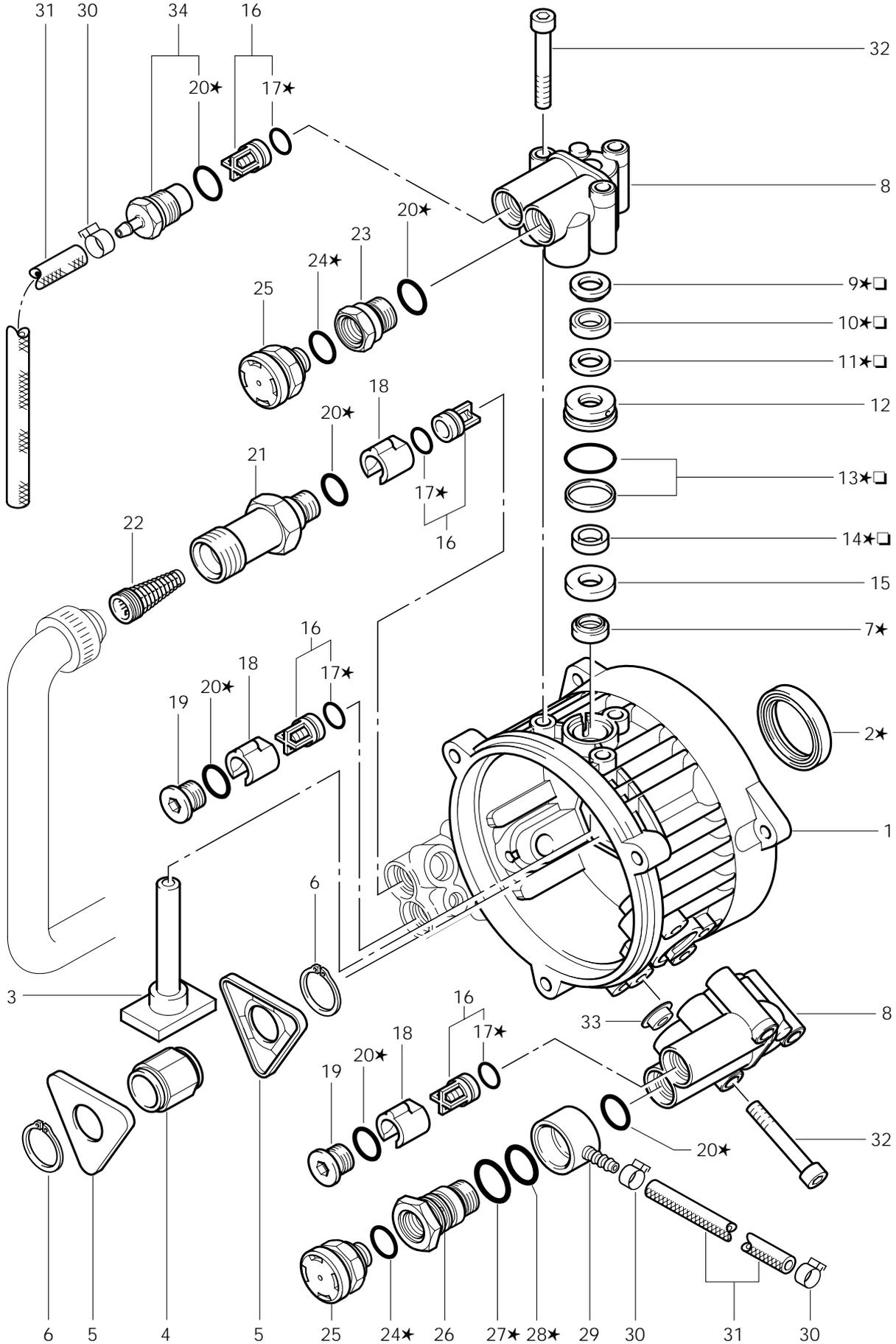
| POS. | NO.   | BEZEICHNUNG  | DESCRIPTION               | DESIGNATION                      |
|------|---|--|---------------------------|----------------------------------|
| 1    | 54996   | Grundrahmen DX-2   | Frame                     | Chassis                          |
| 2    | 42221   | Schubbügel   | Handlebar                 | Guidon                           |
| 3    | 43625   | Griffschale  | Hand grip provision       | Poignée                          |
| 4    | 17737   | Schraube Senk- M 6x 40   | Countersunk screw M6x40   | Vis à tête fraisée M6x40 DIN 913 |
| 5    | 12496   | Sicherungsmutter M6  | Nut M6                    | Ecrou M6                         |
| 6    | 46361   | Lenkrolle  | Caster D100               | Roulette de guidage D100         |
| 7    | 6557  | Skt. Schraube M 8x 16  | Hexagon cap screw M8x16   | Vis 6 pans M8x16 DIN 933         |
| 8    | 2762  | Scheibe A 8,4  | Washer A8,4 DIN 125       | Rondelle A8,4 DIN 125            |
| 9    | 3213  | Skt. Schraube M 8x 40  | Hexagon cap screw M8x40   | Vis 6 pans M8x40 DIN 933         |
| 10   | 6052  | Mutter M 8   | Hexagon nut M8 DIN 985    | Ecrou 6 pans M8 DIN 985          |
| 11   | 46345   | Winkel   | Angle                     | Equerre                          |
| 12   | 44557   | Bügel  | Bracket                   | Arceau                           |
| 13   | 14010   | Bügel  | Bracket                   | Arceau                           |
| 14   | 46362   | Rad D250   | Wheel D250                | Roue D250                        |
| 15   | 46363   | Klemmring  | Clamping ring D25         | Rondelle frein D25               |
| 16   | 44660   | Radkappe   | Cap                       | Capuchon                         |
| 17   | 17256   | Brennstofftank<br>DX 800-2,DX 810-2, DX 830-2                        | Fuel tank                 | Réservoir de combustible         |
|      | 17266   | Brennstofftank<br>DX 800 S-2, DX 820-2,<br>DX 830 S-2 *FR*, DX 930-2 | Fuel tank                 | Réservoir de combustible         |
| 18   | 17260   | Verschlußdeckel  | Sealing cap               | Bouchon réservoir a fuel         |
| 19   | 7087  | Sieb   | Strainer                  | Filtre                           |
| 20   | 15789   | Gummitülle   | Rubber bushing            | Joint caoutchouc                 |
| 23   | 45922   | Behälter   | Container                 | Rés. avec indicateur de niveau   |
| 24   | 15445   | Überwurfring   | Cap ring                  | Ecrou capuchon                   |
| 25   | 15446   | Kappe  | Cap                       | Capuchon                         |
| 26   | 11654   | Schlauchklemme 11,5  | Hose clamp D-11,5         | Collier D-11,5                   |
| 27   | 17508   | Fußventil 3/8"   | " Strainer valve 3/8" " " | " Crépine complète 3/8" " "      |
| 28   | 3205  | Fußventil  | Strainer valve            | Crépine                          |
| 29   | 5283  | Schlauchtülle  | Hose liner                | Embout                           |
| ◇    | 30  | 4973   | Schlauch DN 6 x3          | Tuyau DN 6x3                     |
| ◇    | 31  | 17710  | Rohr 6x1                  | Tube 6x1                         |
| ◇    | ACHTUNG! - Meterware - Bitte bei Bestellung gewünschte Länge angeben!           |  |                           |                                  |
| ◇    | ATTENTION! - Lengths in metres - Please indicate required length when ordering! |  |                           |                                  |
| ◇    | ATTENTION! - Longueurs par mètre - Préciser la longueur à la commande!          |  |                           |                                  |

DX800  
DX800S  
DX810  
DX810Euro  
DX820  
DX830  
DX830S  
DX930



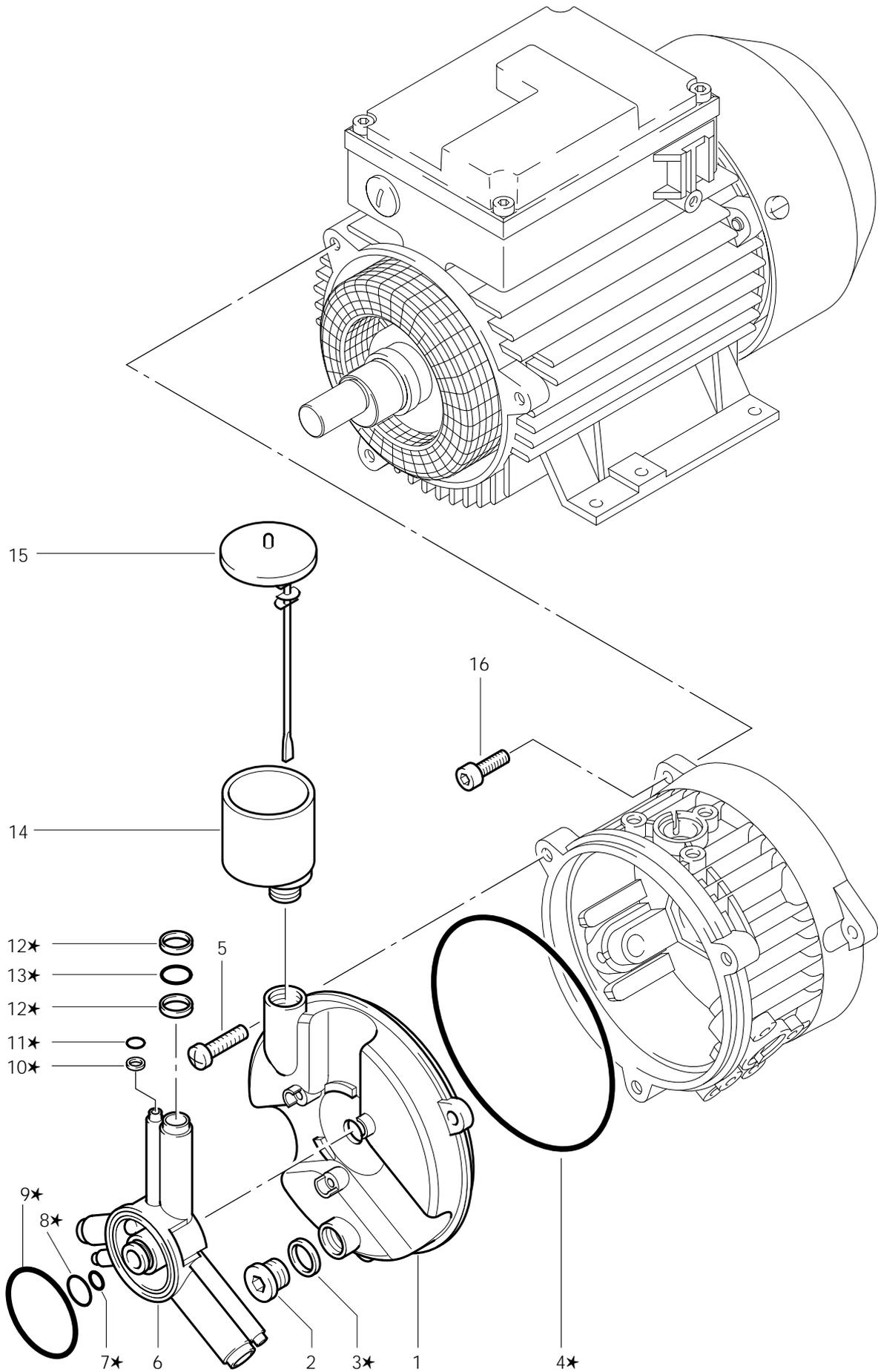
| POS. | NO.   | BEZEICHNUNG             | DESCRIPTION               | DESIGNATION                |                  |
|------|---|-------------------------|---------------------------|----------------------------|------------------|
| 1    | 44236   | Wasserkasten            | Water box                 | Réservoir d" eau tampon    |                  |
| 2    | 6425  | Schwimmerventil         | Float valve               | Vanne d" arret             |                  |
| 3    | 11361   | Schmutzfilter Set       | Dirt strainer             | Joint de robinet           |                  |
| 4    | 17379   | Gummimembrane           | Rubber diaphragm          | Membrane caoutchouc        |                  |
| 5    | 11418   | Schwimmer D 90          | Float D90                 | Flotteur D90               |                  |
| 6    | 34240   | Abdeckung               | Covering                  | Couvercle                  |                  |
| 7    | 16860   | Schraube KA40x12        | Screw PT 4x12             | Vis autotaraudeuse PT 4x12 |                  |
| 8    | 49927   | Formschlauch            | Hose                      | Tuyau                      |                  |
| 9    | 6578  | Überwurfmutter R1"      | " Cap nut R1" " " "       | " Ecrou R1" " " "          |                  |
| 10   | 47685   | Behälter                | Container                 | Réservoir                  |                  |
| 11   | 47686   | Deckel                  | Cover                     | Couvercle                  |                  |
| 12   | 5613  | Schlauchtülle G ½"      | " Hose liner ½" " " "     | " Embout ½" " " "          |                  |
| 13   | 15587   | Dichtring               | Packing ring              | Anneau d" isolation        |                  |
| 14   | 3211  | Schlauschelle S20/9     | Hose clip S20/9           | Collier S20/9              |                  |
| ◇    | 15  | 8050                    | Schlauch 1/2"             | " Hose ½" " " "            | " Tuyau ½" " " " |
| 16   | 7542  | Anschluß-Stück          | Connecting piece          | Collecteur                 |                  |
| 17   | 2752  | Skt. Schraube M 6x 20   | Hexagon cap screw M6x20 [ | Vis 6 pans M6x20 DIN 933   |                  |
| 18   | 2764  | Scheibe A 6,4           | Washer A6,4 DIN 125       | Rondelle A6,4 DIN 125      |                  |
| 19   | 11619   | Mutter M 6              | Hexagon nut M6 DIN 985    | Ecrou 6 pans M6 DIN 985    |                  |
| 20   | 1719  | Geka-Gewindestück 1"    | Geka-threaded piece       | Accpl't Geka               |                  |
| 21   | 21643   | Dichtring               | Packing ring              | Anneau d" isolation        |                  |
| 22   | 6502  | Dichtung                | Packing                   | Joint                      |                  |
| 23   | 1311  | Geka-Schlauchtülle 3/4" | Geka-coupling             | Accpl't Geka               |                  |
| 24   | 54700   | Blech                   | Bracket                   | Support                    |                  |
| ◇    | ACHTUNG! - Meterware - Bitte bei Bestellung gewünschte Länge angeben!           |                         |                           |                            |                  |
| ◇    | ATTENTION! - Lengths in metres - Please indicate required length when ordering! |                         |                           |                            |                  |
| ◇    | ATTENTION! - Longueurs par mètre - Préciser la longueur à la commande!          |                         |                           |                            |                  |

DX800  
 DX800S  
 DX810  
 DX810Euro  
 DX820  
 DX830  
 DX830S  
 DX930



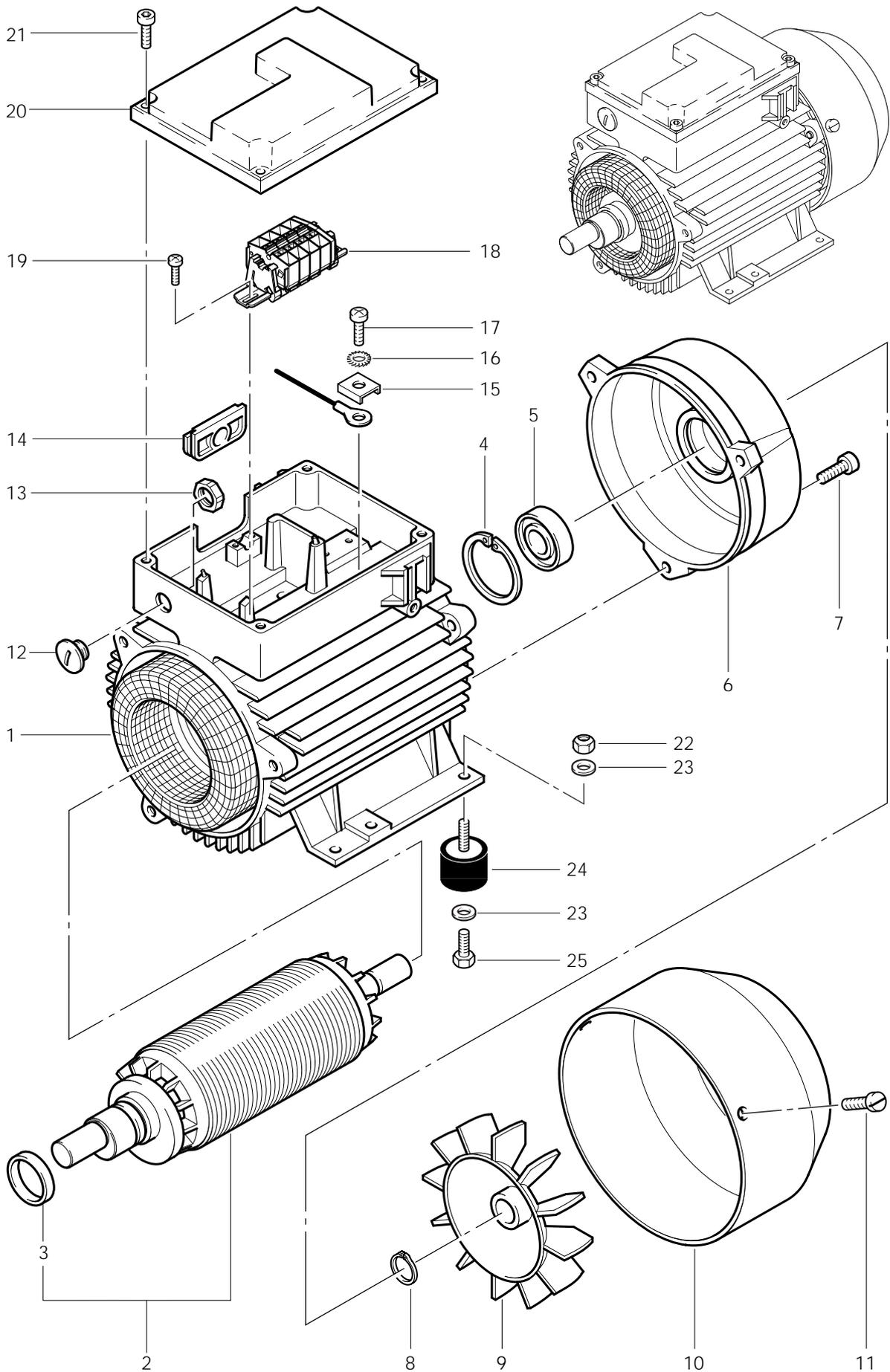
| POS. | NO.  | BEZEICHNUNG | DESCRIPTION                                       | DESIGNATION  |
|------|--|-------------|---|--|
|      | 1  | 56261       | Pumpengehäuse                                     | Pump casing<br>Carter de pompe                             |
| ★    | 2  | 56277       | Wellendichtring 42x 55x 8                         | Oil seal ring<br>Joint d" etancheite                       |
|      | 3  | 56280       | Kolben  | Piston<br>Piston   |
|      | 4  | 56275       | Lagerring   | Bearing ring<br>Palier                                     |
|      | 5  | 56265       | Rückziehring                                      | Compulsory feedback ring<br>Anneau retour piston           |
|      | 6  | 56279       | Sicherungsring D28x1,5                            | Safety ring D28x1,5<br>Circlips D28x1,5                    |
| ★    | 7  | 56278       | Dichtung  | Packing<br>Joint   |
|      | 8  | 56298       | Ventilblock                                       | Valve block<br>Bloc de soupapes                            |
| ★ □  | 9  | 16844       | Stützring   | Supporting ring<br>Anneau de pression                      |
| ★ □  | 10   | 16845       | Wellendichtring 14x 24x 5                         | Oil seal ring<br>Joint d" etancheite                       |
| ★ □  | 11   | 16846       | Ring  | Ring<br>Entretoise   |
|      | 12   | 56300       | Leckwasserring                                    | Leakage water ring<br>Piece de raccordement                |
| ★ □  | 13   | 57131       | Dichtungssatz                                     | Packing set<br>Jeu de garniture                            |
| ★ □  | 14   | 56302       | Gewebedichtung                                    | Sealing ring<br>Anneau de joint                            |
|      | 15   | 56284       | Scheibe   | Disc<br>Rondelle   |
|      | 16   | 56305       | Ventil  | Valve<br>Soupape   |
| ★    | 17   | 56310       | O-Ring 15,0 x1,5                                  | O-Ring 15,0x1,5<br>Joint torique 15,0x1,5                  |
|      | 18   | 56311       | Zwischenring                                      | Adaptor<br>Pièce intermédiaire                             |
|      | 19   | 56327       | Stopfen   | Plug<br>Bouchon  |
| ★    | 20   | 56947       | O-Ring 18,0 x2,5                                  | O-Ring 18x2,5<br>Joint torique 18x2,5                      |
|      | 21   | 57565       | Ansaugstutzen                                     | Intake<br>Raccord d" admission                             |
|      | 22   | 16156       | Ansaugsieb  | Suction strainer<br>Filtre                                 |
|      | 23   | 57566       | Ventilstopfen                                     | Connector<br>Pièce de raccordement                         |
| ★    | 24   | 16443       | O-Ring 17,0 x2,0                                  | O-Ring 17,0x2,0<br>Joint torique 17,0x2,0                  |
|      | 25   | 57618       | Membranträger                                     | Buffer<br>Amortisseur                                      |
|      | 26   | 57493       | Hohlschraube                                      | Banjo bolt<br>Vis creuse                                   |
| ★    | 27   | 49895       | O-Ring 21,0 x3,0                                  | O-Ring 21,0x3,0<br>Joint torique 21,0x3,0                  |
| ★    | 28   | 49893       | O-Ring 19,0 x3,0                                  | O-Ring 19,0x3,0<br>Joint torique 19,0x3,0                  |
|      | 29   | 57494       | Ringnippel  | Ring nipple<br>Raccord                                     |
|      | 30   | 11654       | Schlauchklemme 11,5                               | Hose clamp D-11,5<br>Collier D-11,5                        |
| ◇    | 31   | 4973        | Schlauch DN 6 x3                                  | Hose DN 6x3<br>Tuyau DN 6x3                                |
|      | 32   | 6013        | Zyl. Schraube M 8x 60                             | Socket head cap screw M8x6<br>Vis cylindrique M8x60 DIN 91 |
|      | 33   | 57902       | Blende<br>DX 830-2, DX 830 S-2 DX 930-2           | Sheating<br>Coffrage                                       |
|      |  | 57567       | Blende<br>DX 800-2, DX 800 S-2 DX 810-2, DX 820-2 | Sheating<br>Coffrage                                       |
|      | 34   | 58201       | Entlüftungsstopfen                                |  |
| □    |  | 57151       | Dichtungssatz (3 Kolben)                          | Packing set (3 Piston)<br>Jeu de garniture (3 Piston)      |
| ★    |  | 57946       | Dichtungssatz (Pumpe)                             | Packing set for pump<br>Jeu de garniture pour pompe        |
| ◇    | ACHTUNG! - Meterware - Bitte bei Bestellung gewünschte Länge angeben!          |             |   |  |
| ◇    | ATTENTION! - Lengths in metres - Please indicate required lenth when ordering! |             |   |  |
| ◇    | ATTENTION! - Longueurs par mètre - Préciser la longueur à la commande!         |             |   |  |

DX800  
DX800S  
DX810  
DX810Euro  
DX820  
DX830  
DX830S  
DX930



| POS. | NO.   | BEZEICHNUNG           | DESCRIPTION                | DESIGNATION                 |                              |
|------|-------|-----------------------|----------------------------|-----------------------------|------------------------------|
|      | 1     | 56285                 | Pumpendeckel               | Pump cover                  | Couvercle                    |
|      | 2     | 42252                 | Verschluß-Schraube G3/8    | Screw plug G3/8             | Bouchon G3/8                 |
| *    | 3     | 1657                  | Dichtring 17 x 21 x 1,5 CU | Packing ring 17x21x1,5      | Anneau d'isolation 17x21x1,5 |
| *    | 4     | 56287                 | O-Ring 136,0 x2,5          | O-Ring 136x2,5              | Joint torique 136x2,5        |
|      | 5     | 13923                 | Spedform-Schraube M6x20    | Screw M6x20                 | Vis M6x20                    |
|      | 6     | 56272                 | Verteiler                  | Distributor housing         | Boîtier du distributeur      |
| *    | 7     | 56849                 | O-Ring 9,0 x2,0            | O-Ring 9,0x2,0              | Joint torique 9,0x2,0        |
| *    | 8     | 6898                  | O-Ring 10,5 x1,5           | O-Ring 10,5x1,5             | Joint torique 10,5x1,5       |
| *    | 9     | 56297                 | O-Ring 53,0 x3,0           | O-Ring 53x3                 | Joint torique 53x3           |
| *    | 10    | 56294                 | Stützring                  | Supporting ring             | Anneau de pression           |
| *    | 11    | 56965                 | O-Ring 8,0 x1,5            | O-Ring 8,0x1,5              | Joint torique 8,0x1,5        |
| *    | 12    | 56296                 | Stützring                  | Supporting ring             | Anneau de pression           |
| *    | 13    | 16443                 | O-Ring 17,0 x2,0           | O-Ring 17,0x2,0             | Joint torique 17,0x2,0       |
|      | 14    | 57552                 | Öleinfüllbehälter          | Oil feeding hopper          | Entonnoir                    |
|      | 15    | 57568                 | Öleinfülldeckel            | Oil plug                    | Jauge d" huile               |
|      | 16    | 3928                  | Zyl. Schraube M 8x 30      | Socket head cap screw M8x3  | Vis cylindrique M8x30 DIN 91 |
| *    | 57946 | Dichtungssatz (Pumpe) | Packing set for pump       | Jeu de garniture pour pompe |                              |

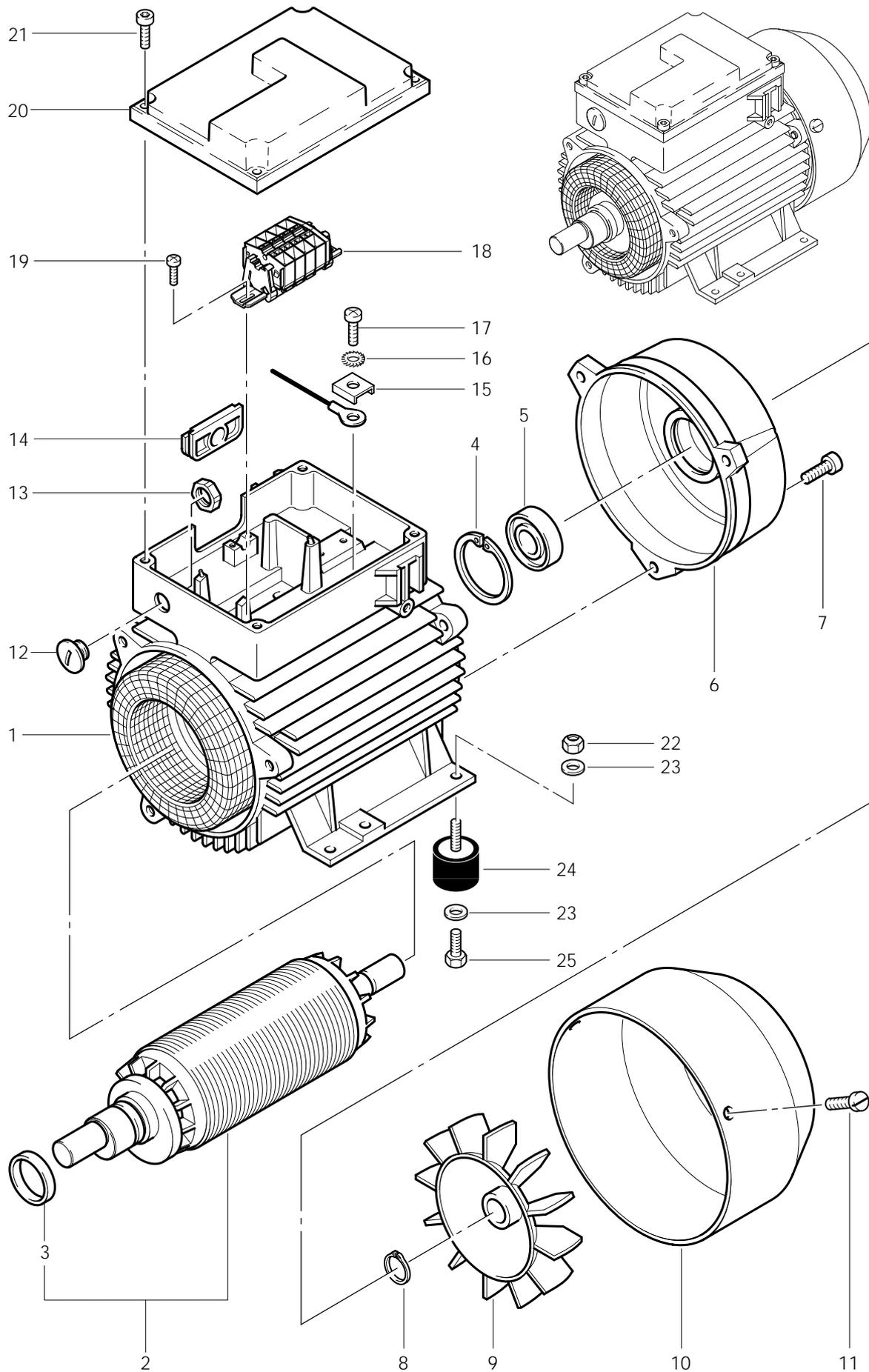
DX800  
 DX800S  
 DX810  
 DX810Euro  
 DX820  
 DX830  
 DX830S  
 DX930



| POS. | NO.   | BEZEICHNUNG   | DESCRIPTION  | DESIGNATION |
|------|-------|---|--|-------------|
| 1    | 57038 | Stator<br>200V/60Hz,3,5kW   | DX 800-2*JP*   | Stator      |
|      | 57039 | Stator<br>220V/60Hz,4,5kW<br>200V/50Hz,4,5kW  | DX 830-2 *TW*<br>DX 830-2 *JP*   | Stator      |
|      | 57041 | Stator<br>200V/60Hz,4,5kW   | DX 830-2*JP*   | Stator      |
|      | 57042 | Stator<br>200V/50Hz,5,5kW   | DX 930-2*JP*   | Stator      |
|      | 57044 | Stator<br>200V/60Hz,5,5kW   | DX 930-2*JP*   | Stator      |
|      | 57036 | Stator<br>220/380V/60Hz,3,5kW<br>200V/50Hz,3,5kW  | DX 800-2*TW*<br>DX 800-2*JP*   | Stator      |
|      | 56313 | Stator<br>400V/50Hz,5,5kW<br>230V/50Hz,5,5kW  | DX 930-2*DE*EU*AT*AU*FR*ZA*<br>DX 930-2*ES*BE*   | Stator      |
|      | 56560 | Stator<br>400-415V/50Hz,4,5kW<br>400V/50Hz,4,5kW<br>400V/50Hz,4,5kW<br>230V/50Hz,4,5kW<br>400V/50Hz,4,5kW | DX 810-2<br>DX 810-2 EURO<br>DX 830-2*DE*EU*EXP*ES*<br>DX 830-2*ES*BE*<br>DX 830-2 S*FR* | Stator      |
|      | 56605 | Stator<br>400V/50Hz,3,5kW<br>400V/50Hz,3,5kW<br>230V/50Hz,3,5kW   | DX 800-2*DE*EU*CH*EXP*<br>DX 800-2 S*EXP*ES*GB*FR*ZA*<br>DX 800-2 S*ES*BE*               | Stator      |
|      | 56749 | Stator<br>230V/50Hz,2,4kW   | DX 820-2*DE*FR*ZA*AU*  | Stator      |
|      | 56979 | Stator<br>220V/60Hz,2,4kW   | DX 820-2   | Stator      |

DX800  
DX800S  
DX810  
DX810Euro  
DX820  
DX830  
DX830S  
DX930

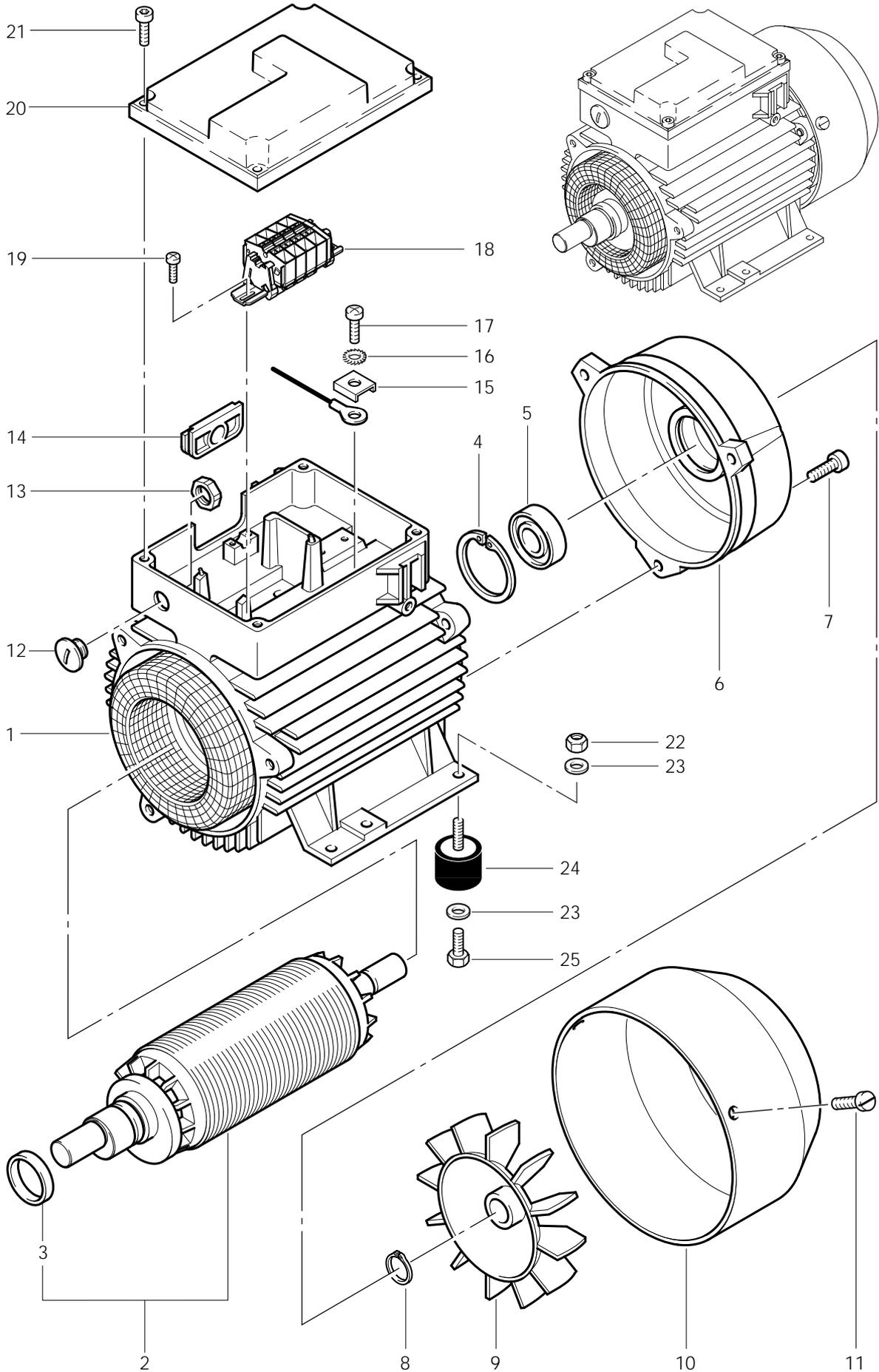
DX800  
DX800S  
DX810  
DX810Euro  
DX820  
DX830  
DX830S  
DX930



| POS.  | NO.   | BEZEICHNUNG   | DESCRIPTION                 | DESIGNATION |
|-------|-------|---------------|-----------------------------|-------------|
| 2     | 58051 | Rotor         | Rotor                       | Rotor       |
|       |       | 220V/60Hz     | DX 800-2*TW*                |             |
|       |       | 200V/60Hz     | DX 800-2*JP*                |             |
| 58052 | 58052 | Rotor         | Rotor                       | Rotor       |
|       |       | 220V/60Hz     | DX 830-2*TW*                |             |
|       |       | 200V/60Hz     | DX 830-2*JP*                |             |
| 58462 | 58462 | Rotor         | Rotor                       | Rotor       |
|       |       | 230V/50Hz     | DX 820-2*DE*FR*             |             |
|       |       | 220V/50Hz     | DX 820-2*ZA*                |             |
|       |       | 230-240V/50Hz | DX 820-2*AU*                |             |
| 58463 | 58463 | Rotor         | Rotor                       | Rotor       |
|       |       | 220V/60Hz     | DX 820-2*KR*                |             |
| 58594 | 58594 | Rotor         | Rotor                       | Rotor       |
|       |       | 200V/60Hz     | DX 930-2*JP*                |             |
| 57154 | 57154 | Rotor         | Rotor                       | Rotor       |
|       |       | 400V/50Hz     | DX 830-2*DE*EU*EXP*ES*      |             |
|       |       | 230V/50Hz     | DX 830-2*ES*BE*             |             |
|       |       | 200V/50Hz     | DX 830-2*JP*                |             |
|       |       | 400V/50Hz     | DX 830-2 S*FR*              |             |
| 57911 | 57911 | Rotor         | Rotor                       | Rotor       |
|       |       | 400V/50Hz     | DX 800-2*DE*EU*CH*EXP*      |             |
|       |       | 400V/50Hz     | DX 800-2 S*EXP*ES*GB*FR*ZA* |             |
|       |       | 230V/50Hz     | DX 800-2 S*ES*BE*           |             |
| 57915 | 57915 | Rotor         | Rotor                       | Rotor       |
|       |       | 400-415V/50Hz | DX 810-2                    |             |
|       |       | 400V/50Hz     | DX 810-2 EURO               |             |
| 57916 | 57916 | Rotor         | Rotor                       | Rotor       |
|       |       | 400V/50Hz     | DX 930-2*DE*EU*AT*FR*ZA*    |             |
|       |       | 400-415V/50Hz | DX 930-2*AU*PT*             |             |
|       |       | 230V/50Hz     | DX 930-2*ES*BE*             |             |
|       |       | 200V/50Hz     | DX 930-2*JP*                |             |
| 58050 | 58050 | Rotor         | Rotor                       | Rotor       |
|       |       | 200V/50Hz     | DX 800-2*JP*                |             |

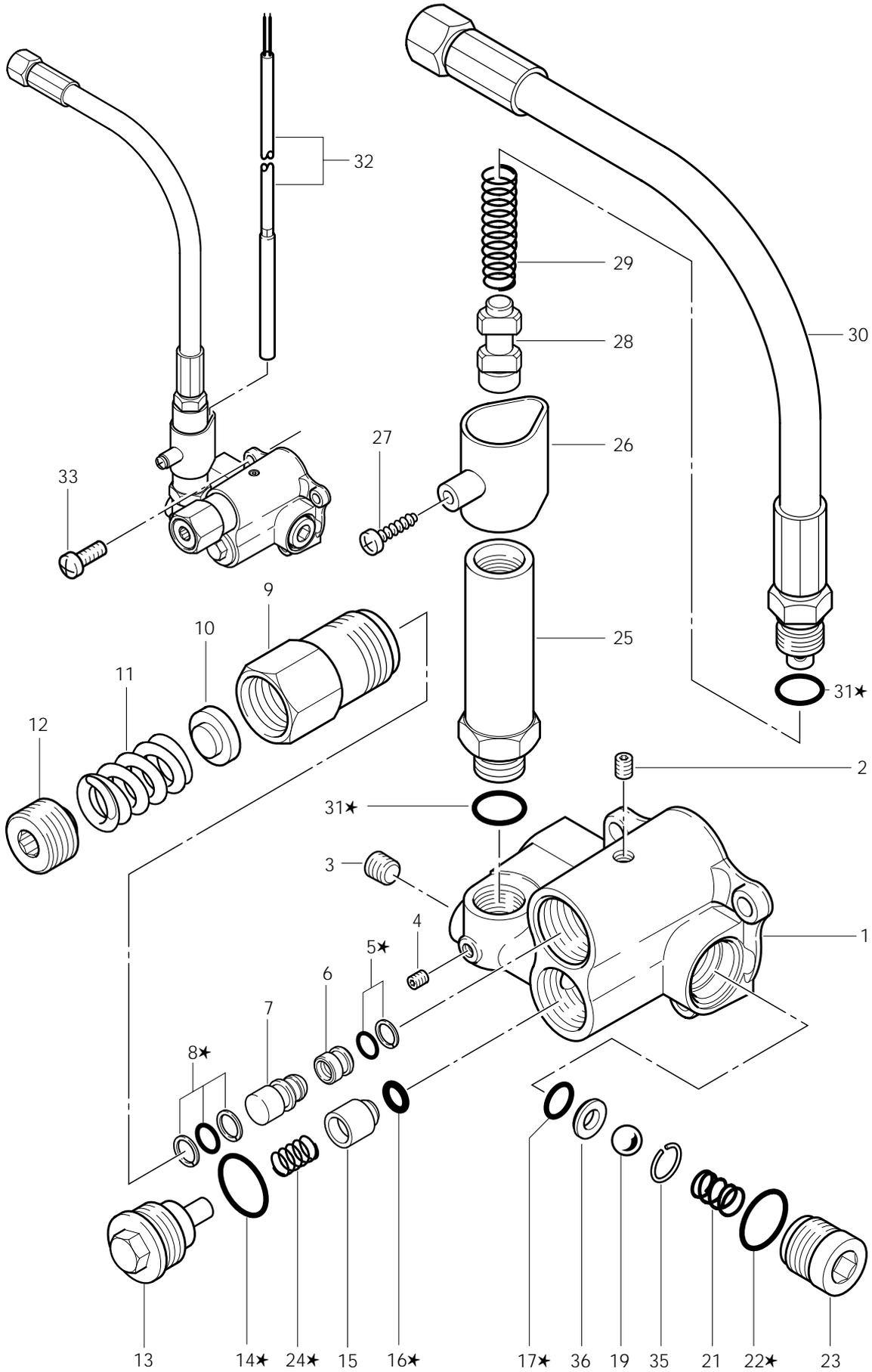
DX800  
DX800S  
DX810  
DX810Euro  
DX820  
DX830  
DX830S  
DX930

DX800  
 DX800S  
 DX810  
 DX810Euro  
 DX820  
 DX830  
 DX830S  
 DX930



| POS. | NO.   | BEZEICHNUNG                  | DESCRIPTION                  | DESIGNATION                   |
|------|-------|------------------------------|------------------------------|-------------------------------|
| 3    | 56321 | Innenring                    | Ring                         | Entretoise                    |
| 4    | 56318 | Sicherungsring D47x2,0       | Safety ring D47x2,0          | Circlips D47x2,0              |
| 5    | 56317 | Rillenkugellager 6204-2Z     | Ball bearing                 | Roulement à billes            |
| 6    | 56412 | Lagerdeckel                  | Bearing cover                | Couvercle de roulement        |
| 7    | 9570  | Zyl. Schraube M 6x 40        | Socket head cap screw M6x40  | Vis cylindrique M6x40 DIN 91  |
| 8    | 32524 | Sicherungsring D20x1,2       | Safety ring D20x1,2 DIN 471  | Circlips D20x1,2 DIN 471      |
| 9    | 56319 | Lüfterrad                    | Fanwheel                     | Ventilateur                   |
| 10   | 56417 | Lüfterhaube                  | Fan shroud                   | Bague de ventilateur          |
| 11   | 4817  | Zylinderschraube M5x6 DIN 84 | Socket head cap screw M5x6   | Vis cylindrique M5x6 DIN 84   |
| 12   | 1532  | Verschuß-Schraube PG9        | Screw plug PG9               | Bouchon PG9                   |
| 13   | 1458  | Mutter PG 9                  | Hexagon nut PG9              | Ecrou 6 pans PG9              |
| 14   | 56495 | Deckel                       | Cover                        | Couvercle                     |
| 15   | 32976 | Winkel                       | Retainer                     | Pièce coudée                  |
| 16   | 3376  | Fächerscheibe A 5,3          | Serrated lock washer A 5,3   | Rondelle évantail A 5,3 DIN 6 |
| 17   | 5189  | Linsenschraube M5x10         | Lens head counters. screw M5 | Vis tete plate M5x10 DIN 798  |
| 18   | 57693 | Klemmleiste<br>DX 820-2      | Terminal block               | Bornier                       |
|      | 56760 | Klemmleiste                  | Terminal block               | Bornier                       |
| 19   | 57069 | Linsenschraube               | Lens head counters. screw    | Vis tete plate                |
| 20   | 56650 | Deckel                       | Cover                        | Couvercle                     |
| 21   | 4697  | Zyl. Schraube M 6x 16        | Socket head cap screw M6x16  | Vis cylindrique M6x16 DIN 91  |
| 22   | 6052  | Mutter M 8                   | Hexagon nut M8 DIN 985       | Ecrou 6 pans M8 DIN 985       |
| 23   | 2762  | Scheibe A 8,4                | Washer A8,4 DIN 125          | Rondelle A8,4 DIN 125         |
| 24   | 49924 | Puffer                       | Buffer                       | Butoir                        |
| 25   | 6557  | Skt. Schraube M 8x 16        | Hexagon cap screw M8x16      | Vis 6 pans M8x16 DIN 933      |

DX800  
 DX800S  
 DX810  
 DX810Euro  
 DX820  
 DX830  
 DX830S  
 DX930

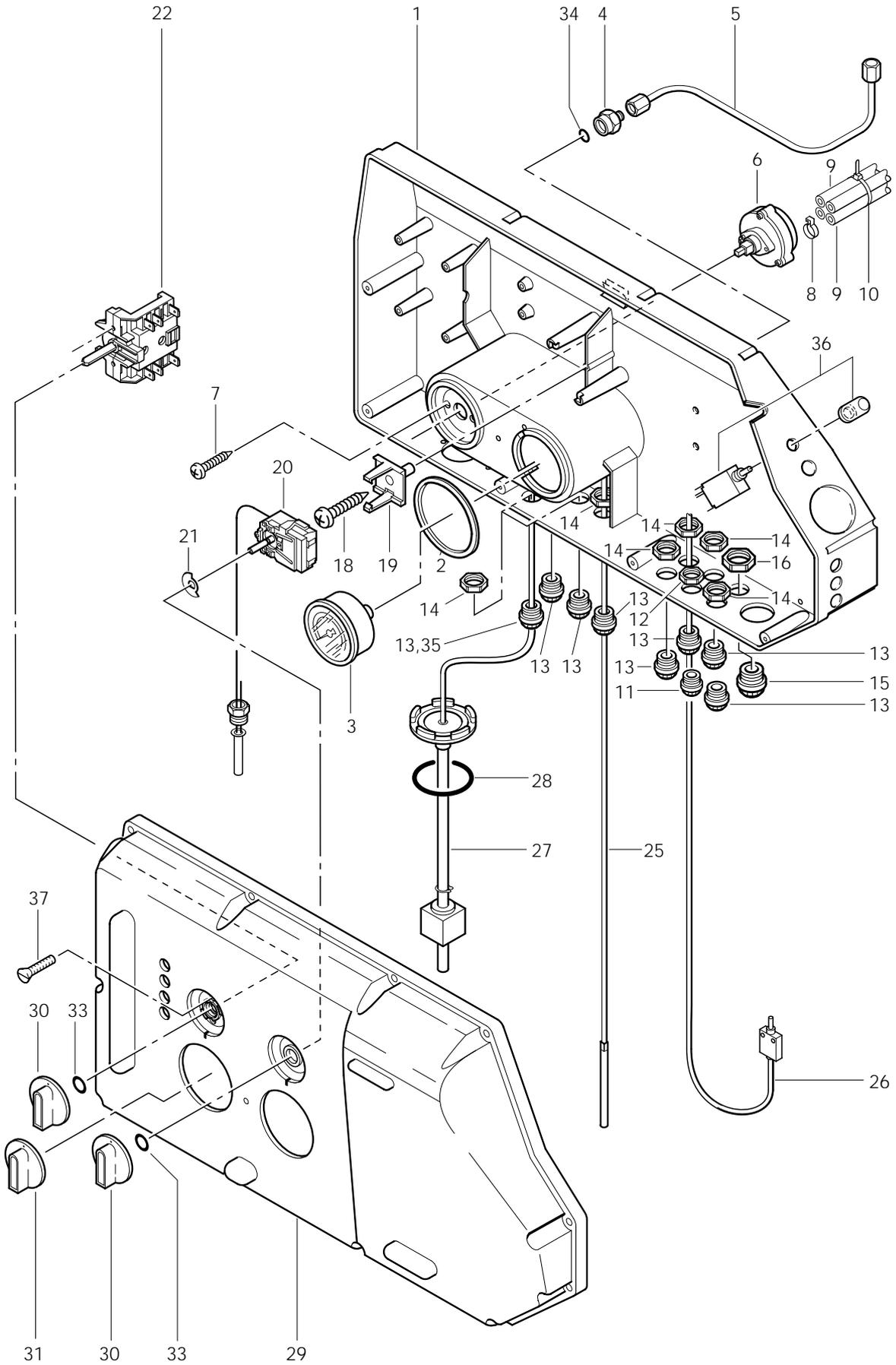


| POS. | NO.   | BEZEICHNUNG                | DESCRIPTION                   | DESIGNATION                   |
|------|-------|----------------------------|-------------------------------|-------------------------------|
| 1    | 57377 | Gehäuse                    | Casing                        | Corps                         |
| 2    | 49896 | Gewindestift M6x 8         | Threaded pin                  | Vis de pression               |
| 3    | 6261  | Verschluß-Schraube G3/8    | Screw plug G3/8               | Bouchon G3/8                  |
| 4    | 56532 | Gewindestift M4x 5         | Threaded pin                  | Vis de pression               |
| *    | 5     | Dichtungssatz              | Packing set for Control Safet | Jeu de garniture pour bloc ré |
| 6    | 57575 | Dichtsitz                  | Seal                          | Siege                         |
| 7    | 57574 | Kolben                     | Piston                        | Piston                        |
| *    | 8     | Dichtungssatz              | Packing set for Control Safet | Jeu de garniture pour bloc ré |
| 9    | 57577 | Hülse                      | Bush                          | Douille                       |
| 10   | 57576 | Druckscheibe               | Pressure disc                 | Joint protecteur              |
| 11   | 49901 | Druckfeder                 | Pressure spring               | Ressort à pression            |
| 12   | 57578 | Schraube                   | Screw                         | Vis                           |
| 13   | 57569 | Stopfen                    | Plug                          | Bouchon                       |
| *    | 14    | O-Ring 20,0 x2,0           | O-Ring 20,0x2,0               | Joint torique 20,0x2,0        |
| 15   | 57731 | Rückschlagkolben           | Piston                        | Piston                        |
| *    | 16    | O-Ring 6,5 x3,0            | O-Ring 6,5x3,0                | Joint torique 6,5x3,0         |
| *    | 17    | O-Ring 11,0 x1,5           | O-Ring 11x1,5                 | Joint torique 11x1,5          |
| 19   | 9854  | Kugel                      | Ball                          | Bille                         |
| 21   | 9855  | Feder                      | Spring                        | Ressort                       |
| *    | 22    | O-Ring 18,0 x2,0           | O-Ring 18,0x2,0               | Joint torique 18,0x2,0        |
| 23   | 56516 | Verschraubung              | Screwing                      | Raccord                       |
| *    | 24    | Druckfeder                 | Pressure spring               | Ressort à pression            |
| 25   | 57570 | Gehäuse                    | Casing                        | Corps                         |
| 26   | 57550 | Halter                     | Support                       | Support                       |
| 27   | 10028 | Schraube KA50x14           | Screw PT 5x14                 | Vis autotaraudeuse PT 5x14    |
| 28   | 57571 | Kontaktkolben              | Contact piston                | Piston contacteur             |
| 29   | 6231  | Feder                      | Spring                        | Ressort                       |
| 30   | 57556 | HD-Schlauch DN 8x 0,4m     | HP hose DN 8x400mm            | Tuyau HP DN 8x400mm           |
| *    | 31    | O-Ring 14,0 x2,0           | O-Ring 14,0x2,0               | Joint torique 14,0x2,0        |
| 32   | 19961 | Rohrmagnetschalter 1150 lg | Reed contact                  | Sonde magnetique              |
| 33   | 49249 | Formschraube M6x30         | Screw                         | Vis                           |
| 35   | 9853  | Sicherungsring D14x1       | Safety ring D14x1 DIN 472     | Circlips D14x1 DIN 472        |
| 36   | 58493 | Dichtsitz                  | Seal                          | Siege                         |
| *    | 57947 | Dichtungssatz              | Packing set for Control Safet | Jeu de garniture pour bloc ré |



| POS. | NO.   | BEZEICHNUNG              | DESCRIPTION                   | DESIGNATION                   |
|------|-------|--------------------------|-------------------------------|-------------------------------|
| 1    | 56615 | Drehgriff                | Knob                          | Pièce de réglage              |
| 2    | 16594 | Mutter M8x1              | Hexagon nut                   | Ecrou 6 pans                  |
| 3    | 56513 | Mutter M8x1              | Hexagon nut                   | Ecrou 6 pans                  |
| 4    | 16111 | Nadellager               | Needle bearing                | Roulement à aiguilles         |
| 5    | 56785 | Federdruckscheibe        | Spring pressure disc          | Pièce de centrage             |
| 6    | 56512 | Feder                    | Spring                        | Ressort                       |
| 7    | 16594 | Mutter M8x1              | Hexagon nut                   | Ecrou 6 pans                  |
| 8    | 56716 | Feder                    | Spring                        | Ressort                       |
| 9    | 56960 | Buchse                   | Bushing                       | Douille                       |
| 10   | 56552 | Aufnahme                 | Bracket                       | Support                       |
| 11   | 56508 | Deckel                   | Cover                         | Couvercle                     |
| *    | 12    | O-Ring 18,0 x2,0         | O-Ring 18,0x2,0               | Joint torique 18,0x2,0        |
| *    | 13    | Dichtungssatz            | Packing set                   | Jeu de garniture              |
| 14   | 9900  | Endschalter (Kabel 1250) | Switch                        | Interrupteur                  |
| 15   | 26611 | Formschraube M3x20       | Screw                         | Vis                           |
| 16   | 13608 | Anschlagkappe            | Stop cap                      | Capuchon                      |
| 17   | 56662 | Anschlagplatte           | Stop plate                    | Plaque d" appui               |
| 18   | 2760  | Mutter M 5               | Hexagon nut M5 DIN 934        | Ecrou 6 pans M5 DIN 934       |
| 19   | 18087 | Schraube Li- M5x 16      | Socket head cap screw M5x16   | Vis cylindrique M5x16         |
| 20   | 56502 | Steuerkolben             | Piston                        | Piston                        |
| *    | 21    | Dichtungssatz            | Packing set                   | Jeu de garniture              |
| 22   | 25428 | Scheibe                  | Disc                          | Rondelle                      |
| 23   | 26612 | Mutter M3                | Hexagon nut M3                | Ecrou 6 pans M3               |
| *    | 57947 | Dichtungssatz            | Packing set for Control Safet | Jeu de garniture pour bloc ré |

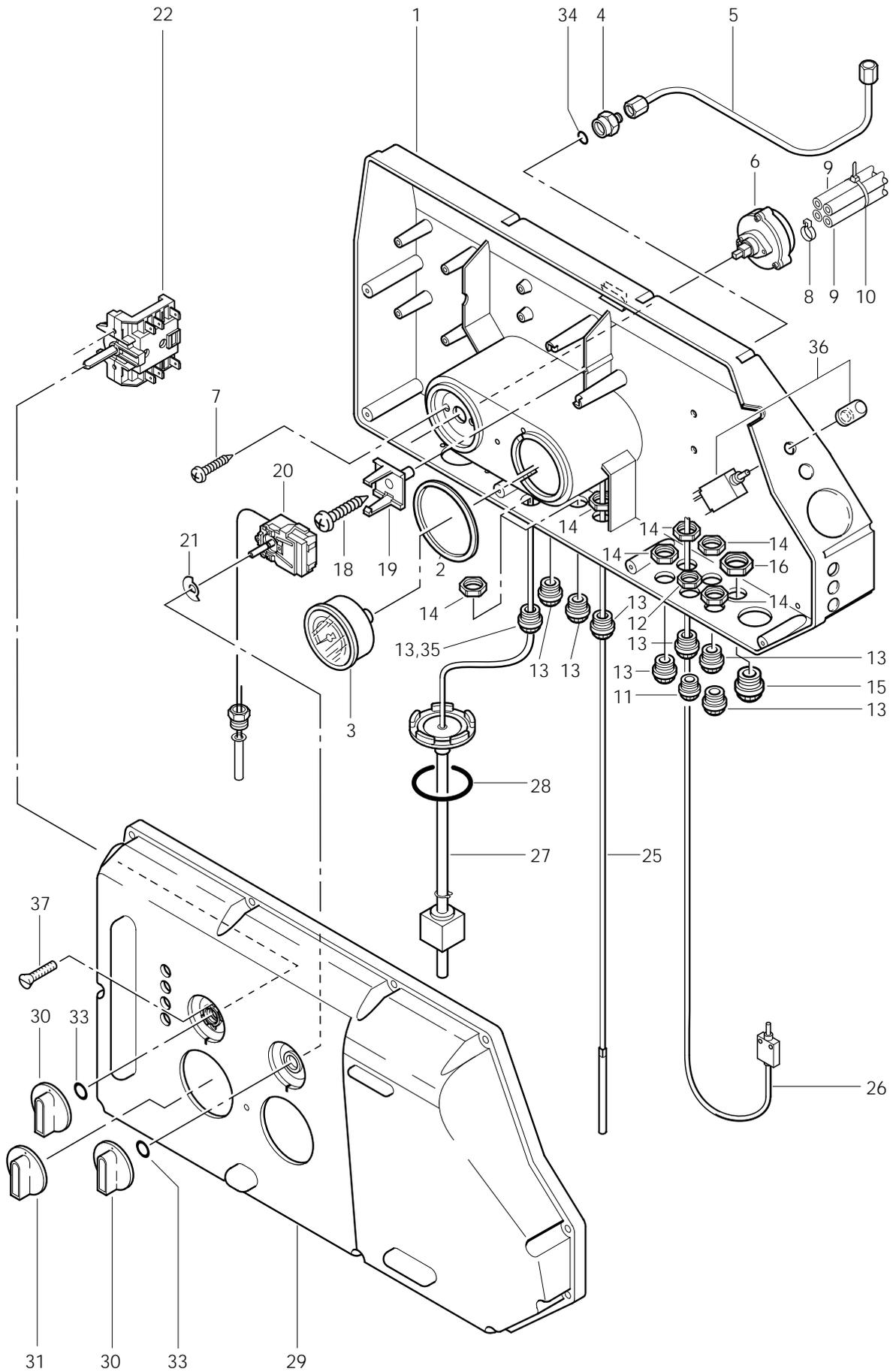
DX800  
 DX800S  
 DX810  
 DX820  
 DX830  
 DX830S  
 DX930



| POS.  | NO.   | BEZEICHNUNG  | DESCRIPTION                  | DESIGNATION                       |
|---|-------|--|------------------------------|-----------------------------------|
| 1   | 47671 | Schaltkastengehäuse  | Housing                      | Boitier                           |
| 2   | 46733 | Dichtring 80 x 71,5x 2   | Packing ring 80x71,5x2       | Anneau d'isolation 80x71,5x2      |
| 3   | 47135 | Manometer 250 Bar  | Pressure gauge               | Manomètre                         |
| 4   | 1438  | Verschraubung  | Screwing                     | Raccord                           |
| 5   | 46309 | Rohr   | Tube                         | Tube                              |
| 6   | 4819  | Dosierventil<br>6166 Dichtungssatz f. Dosierventil                     | Metering valve               | Soupape de dosage                 |
| 7   | 18086 | Linsenblechschraube 2,9x13   | Sheet metal screw 2,9x13 DII | Vis autotaraudeuse 2,9x13 DII     |
| 8   | 11654 | Schlauchklemme 11,5  | Hose clamp D-11,5            | Collier D-11,5                    |
| ◇   | 9     | 4973 Schlauch DN 6 x3  | Hose DN 6x3                  | Tuyau DN 6x3                      |
| 10  | 8819  | Kabelband  | Cable tie                    | Attache pour câbles               |
| 11  | 4022  | Würgenippel PG 9   | Cable gland PG 9             | RAccord à vis pour câbles PG 9    |
| 12  | 1954  | Mutter PG 9  | Hexagon nut PG 9             | Ecrou 6 pans PG 9                 |
| 13  | 3367  | Würgenippel PG 11  | Cable gland PG 11            | RAccord à vis pour câbles PG 11   |
| 14  | 1953  | Mutter PG 11   | Hexagon nut PG11             | Ecrou 6 pans PG11                 |
| 15  | 1463  | Würgenippel PG 13,5  | Cable gland PG 13,5          | RAccord à vis pour câbles PG 13,5 |
| 16  | 17345 | Mutter PG 13,5   | Hexagon nut PG 13,5          | Ecrou 6 pans PG 13,5              |
| 18  | 40108 | Linsenblechschraube 4,8x32   | Sheet metal screw 4,8x32 DII | Vis autotaraudeuse 4,8x32 DII     |
| 19  | 43622 | Thermostatsockel   | Bracket                      | Support                           |
| 20  | 6698  | Thermostat   | Thermostat                   | Thermostat                        |
| 21  | 8592  | Scheibe<br>DX 800-2, DX 800 S-2 DX 810-2                               | Disc                         | Rondelle                          |
| 22  | 28877 | Nockenschalter   |                              |                                   |
| 25  | 19961 | Rohrmagnetschalter 1150 lg   | Reed contact                 | Sonde magnetique                  |
| 26  | 9900  | Endschalter (Kabel 1250)   | Switch                       | Interrupteur                      |
| 27  | 17466 | Schwimmerschalter<br>DX 800 S-2, DX 820-2,<br>DX 830 S-2*FR*, DX 930-2 | Float switch                 | Interrupteur à flotteur           |
| 28  | 17658 | O-Ring 67,0 x4,0<br>DX 800 S-2, DX 820-2,<br>DX 830 S-2*FR*, DX 930-2  | O-Ring 67,0x4,0              | Joint torique 67,0x4,0            |
| ◇ ACHTUNG! - Meterware - Bitte bei Bestellung gewünschte Länge angeben!           |       |  |                              |                                   |
| ◇ ATTENTION! - Lengths in metres - Please indicate required length when ordering! |       |  |                              |                                   |
| ◇ ATTENTION! - Longueurs par mètre - Préciser la longueur à la commande!          |       |  |                              |                                   |

DX800  
DX800S  
DX810  
DX810Euro  
DX820  
DX830  
DX830S  
DX930

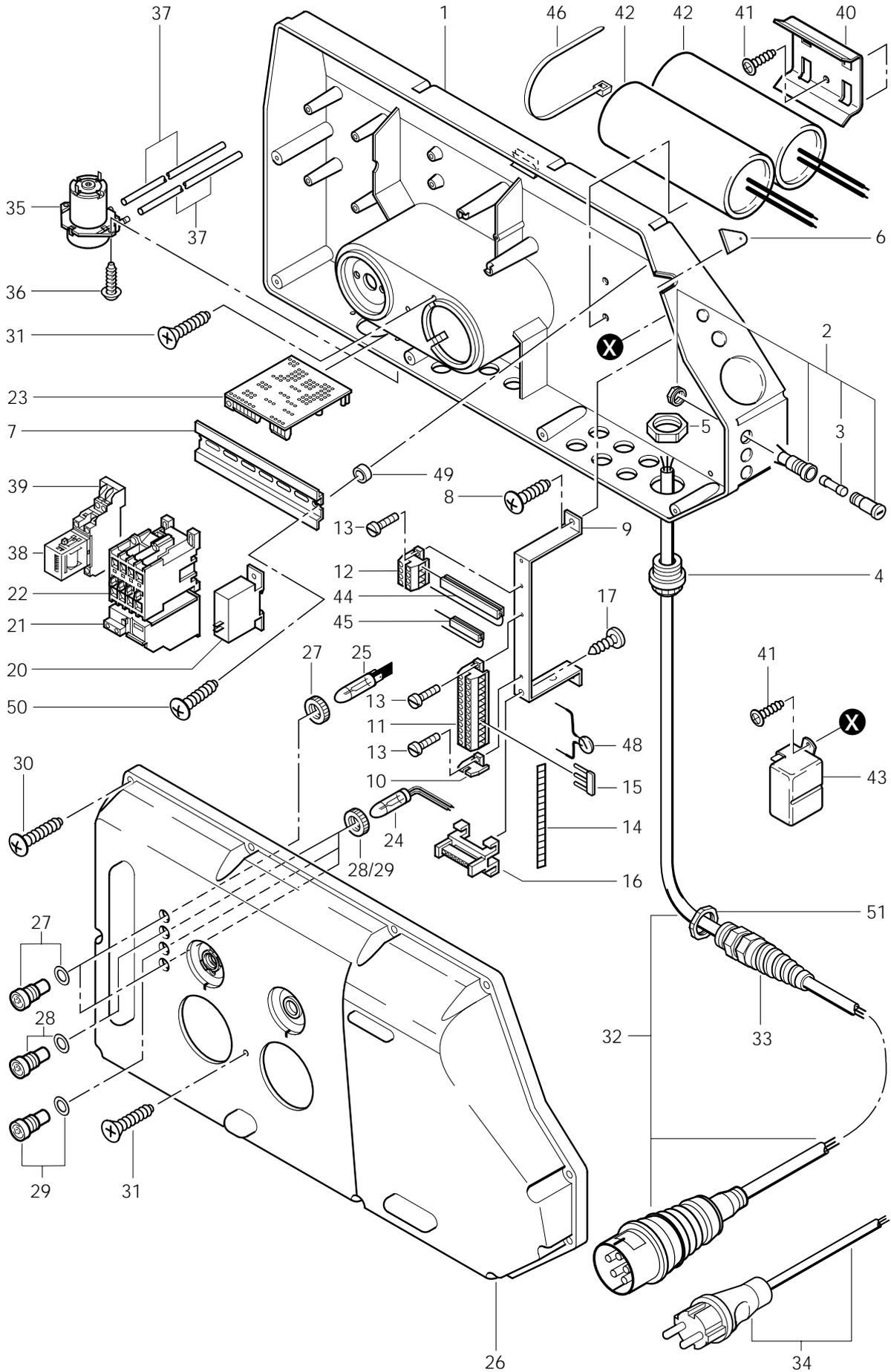
DX800  
 DX800S  
 DX810  
 DX810Euro  
 DX820  
 DX830  
 DX830S  
 DX930



| POS. | NO.    | BEZEICHNUNG   | DESCRIPTION             | DESIGNATION                    |
|------|--------|---|-------------------------|--------------------------------|
| 29   | 47676  | Deckel<br>DX 930  | Cover                   | Couvercle                      |
|      | 47675  | Deckel<br>DX 830  | Cover                   | Couvercle                      |
|      | 47674  | Deckel<br>DX 820  | Cover                   | Couvercle                      |
|      | 47673  | Deckel<br>DX 800  | Cover                   | Couvercle                      |
|      | 26439  | Deckel<br>DX 800 S  | Cover                   | Couvercle                      |
|      | 26501  | Deckel<br>DX 830 S  | Cover                   | Couvercle                      |
|      | 47672  | Deckel<br>DX 810  | Cover                   | Couvercle                      |
| 30   | 243606 | Drehknopf   | Turning knob            | Bouton                         |
| 31   | 243605 | Drehknopf   | Turning knob            | Bouton                         |
| 33   | 9868   | O-Ring 10,0 x2,5  | O-Ring 10x2,5           | Joint torique 10x2,5           |
| 34   | 5897   | Dichtring   | Packing ring            | Anneau d" isolation            |
| 35   | 1462   | Würgenippel PG 11<br>DX 800-2   | Cable gland PG 11       | Raccord à vis pour câbles PG   |
| 36   | 4848   | Geräteschutzschalter 3,0 A<br>DX 800 S-2*FR* DX 810-2*FR*; DX 830-2*FR*, DX 930-2*FR* | Switch 3 A              | Interrupteur général 3 A       |
| 37   | 18274  | Schraube Senk- M 4x 12  | Countersunk screw M4x12 | [ Vis à tête fraisée M4x12 DIN |

DX800  
DX800S  
DX810  
DX810Euro  
DX820  
DX830  
DX830S  
DX930

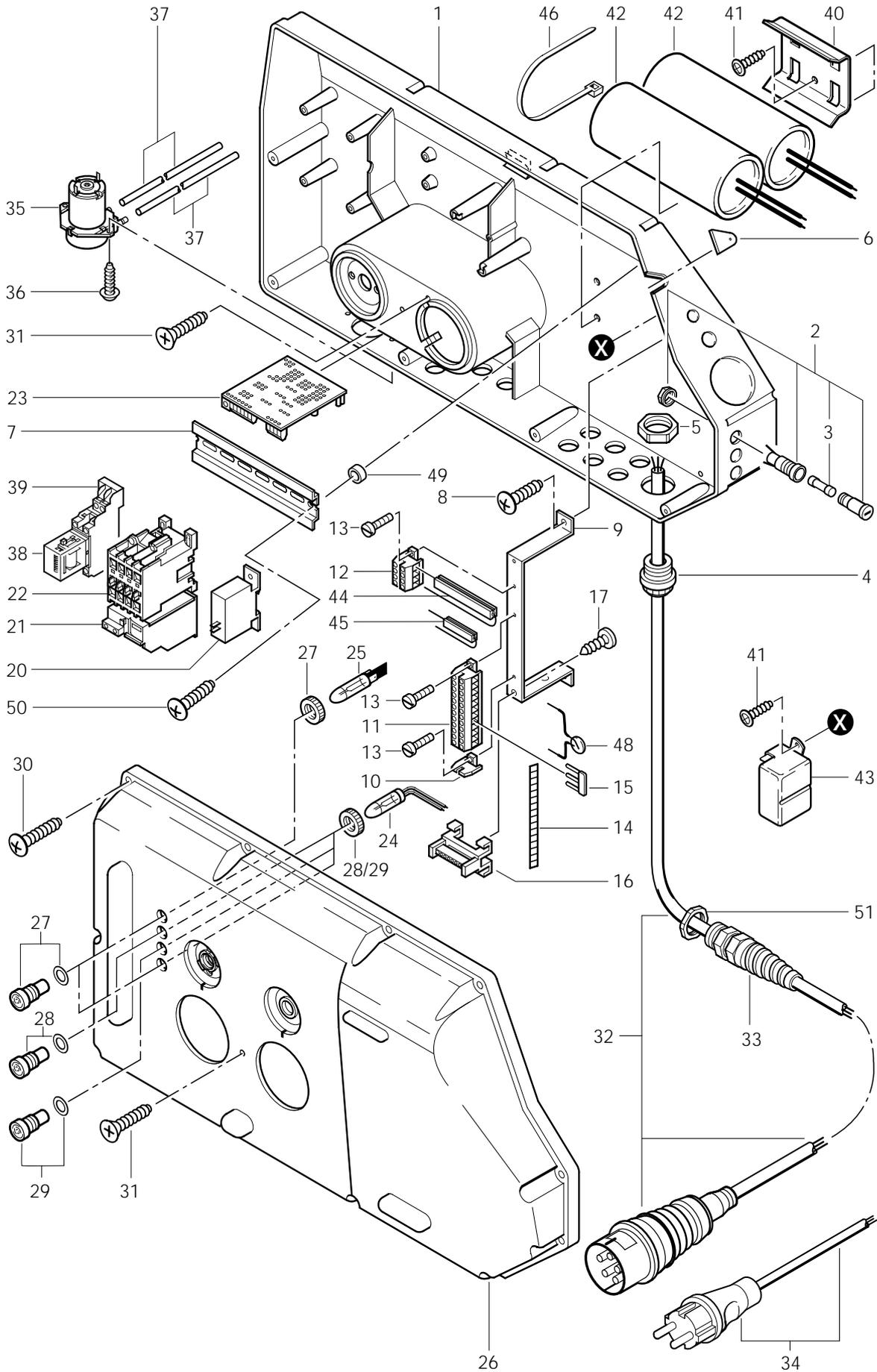
DX800  
 DX800S  
 DX810  
 DX810Euro  
 DX820  
 DX830  
 DX830S  
 DX930



| POS. | NO.   | BEZEICHNUNG                    | DESCRIPTION                      | DESIGNATION   |
|------|-------|--------------------------------|----------------------------------|---|
| 1    | 47671 | Schaltkastengehäuse            | Housing                          | Boitier   |
| 2    | 6599  | Sicherungshalter               | Housing                          | Corps   |
| 3    | 5509  | Feinsicherung 6,3 A            | Miniature fuse 6,3 A             | Fusible fin 6,3 A   |
| 4    | 5044  | Würgenippel PG 21              | Cable gland PG 21                | Raccord à vis pour câbles PG  |
| 5    | 17352 | Mutter PG 21                   | Hexagon nut PG 21                | Ecrou 6 pans PG 21  |
| 6    | 46781 | Dichtung 23,3x 4,5             | Packing 23,3x4,5                 | Joint 23,3x4,5  |
| 7    | 46638 | Gerätetragschiene              | Bracket                          | Support   |
| 8    | 10028 | Schraube KA50x14               | Screw PT 5x14                    | Vis autotaraudeuse PT 5x14  |
| 9    | 44555 | Bügel                          | Bracket                          | Arceau  |
| 10   | 8299  | Winkel                         | Angle                            | Equerre   |
| 11   | 4126  | Klemmleiste                    | Terminal block                   | Bornier   |
| 12   | 6783  | Klemmleiste                    | Terminal block                   | Bornier   |
| 13   | 5140  | Zyl. Schraube M 3x 6           | Socket head cap screw M3x6       | Vis cylindrique M3x6 DIN 84   |
| 14   | 42217 | Schild für Reihenklemme        | Label                            | Etiquette   |
|      | 42218 | Klebeschild<br>DX 820-2        | Label                            | Etiquette   |
| 15   | 42210 | Brücke<br>2-polig              | Jumper                           | Pont  |
|      | 40631 | Brücke<br>3-polig              | Jumper                           | Pont  |
| 16   | 46551 | Klemme                         | Terminal block                   | Bornier   |
| 17   | 33222 | Linsenblechschraube 4,2x 9,5   | Sheet metal screw 4,2x9,5        | Vis autotaraudeuse 4,2x9,5  |
| 20   | 14063 | Zeitrelais                     | Time relay                       | Relais  |
| 21   | 54769 | Motorschutzrelais 16 - 23,0A   | Overcurrent relay 16,0-23,0A     | Relais protection du moteur<br>DX 810-2<br>DX 830-2*ES*BE*NO*RC*TW*KR*PH*JP* = 230V<br>DX 930-2*ES*BE*NO* = 230V<br>DX 930-2*JP*  |
|      | 54768 | Motorschutzrelais 8,5 -12,5A   | Overcurrent relay 8,5-12,5A      | Relais protection du moteur<br>DX 800-2*DE*EXP*<br>DX 800 S-2*EU*EXP*GB*ES*BE*NO*ZA*FR*<br>DX 810-2*DE*EU*FR*EXP*ES*BE*<br>DX 830-2*DE*AT*CH*EU*EXP*ES*BE*PT = 400V<br>DX 830 S-2*FR* |
|      | 25403 | Motorschutzrelais 12,5 -17,5A  | Overcurrent relay 12,5-17,5A     | Relais protection du moteur<br>DX 800-2 *ES*BE*NO*TW*PH*KR*JP*<br>DX 800 S-2 *ES*BE*NO*<br>DX 820-2<br>DX 930-2*EXP*ES*BE* = 400 V<br>DX 930-2*DE*AT*EU*FR*ZA*PT*AU*                  |
| 22   | 54800 | Luftschütz 180V/50 - 208V/60Hz | Contacteur 180V/50Hz - 208V/60Hz | Contacteur electromag. 180V/50Hz - 208V/60Hz<br>DX 830-2*JP*<br>DX 930-2*JP*  |

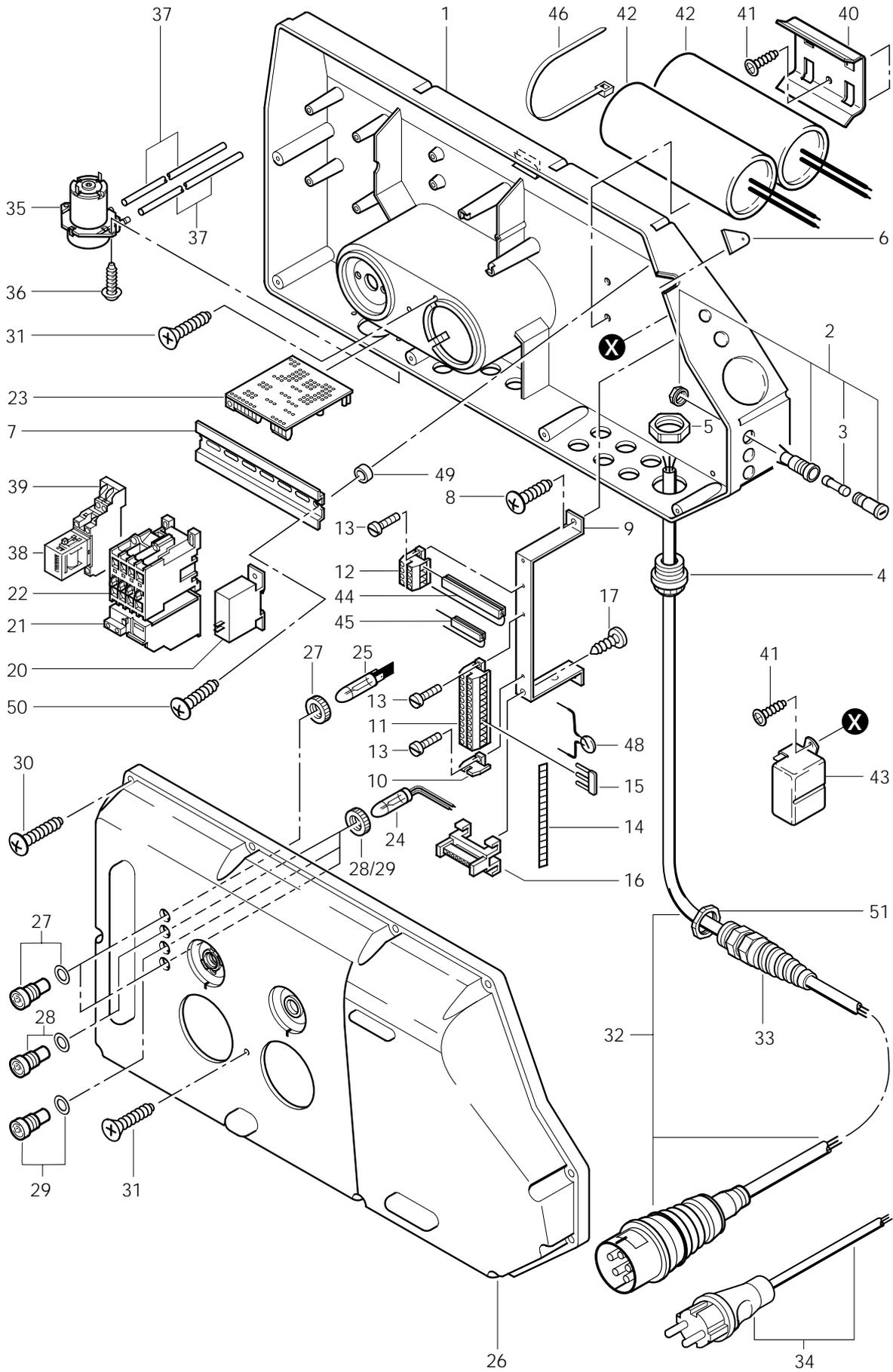
DX800  
DX800S  
DX810  
DX810Euro  
DX820  
DX830  
DX830S  
DX930

DX800  
 DX800S  
 DX810  
 DX810Euro  
 DX820  
 DX830  
 DX830S  
 DX930



| POS.  | NO.   | BEZEICHNUNG  | DESCRIPTION                 | DESIGNATION                 |  |
|-------|-------|--|-----------------------------|-----------------------------|--|
| 22    | 54762 | Luftschütz 230V<br>DX 810-2<br>DX 830-2*ES*BE*NO*RC*TW*KR*PH* = 230V<br>DX 930-2*ES*BE*NO* = 230V  | Contacteur 230V/50-60Hz     | Contacteur electromag. 230V | DX800<br>DX800S<br>DX810<br>DX810Euro<br>DX820<br>DX830<br>DX830S<br>DX930 |
| 25410 |       | Luftschütz 400V<br>DX 800-2*EXP*PT*<br>DX 800 S-2*EXP*GB*ES*BE*NO*ZA*FR*<br>DX 810-2*FR*EXP*ES*BE*<br>DX 830-2*EXP*ES*BE*PT* = 400V<br>DX 830 S-2*FR*<br>DX 930-2*FR*ZA*<br>DX 930-2*EXP*ES*BE*PT*AU* = 400V | Contacteur 400V/50Hz        | Contacteur electromag. 400V |  |
| 25406 |       | Luftschütz 230V<br>DX 800-2*DE*<br>DX 800 S-2*EU*<br>DX 810-2*DE*EU*<br>DX 820-2<br>DX 830-2*DE*AT*CH*EU*<br>DX 930-2*DE*AT*EU*  | Contacteur 230V/50-60Hz 5,5 | Contacteur electromag. 230V |  |
| 25405 |       | Luftschütz 230V<br>DX 800-2 *ES*BE*NO*TW*PH*KR*JP*<br>DX 800 S-2 *ES*BE*NO*  | Contacteur 230V/50-60Hz 7,5 | Contacteur electromag. 230V |  |
| 23    | 49234 | Platine  | Platine 230 V               | Platine 230 V               |  |
| 24    | 47730 | Signalleuchte 380V   | Signal lamp 380V            | Témoin lumineux 380V        |  |
|       | 46790 | Signalleuchte 220V   | Signal lamp 220V            | Témoin lumineux 220V        |  |
| 25    | 46792 | Signalleuchte 12V  | Signal lamp 12V             | Témoin lumineux 12V         |  |
| 26    | 47674 | Deckel<br>DX 820   | Cover                       | Couvercle                   |  |
|       | 47675 | Deckel<br>DX 830   | Cover                       | Couvercle                   |  |
|       | 47676 | Deckel<br>DX 930   | Cover                       | Couvercle                   |  |
|       | 47673 | Deckel<br>DX 800   | Cover                       | Couvercle                   |  |
|       | 47672 | Deckel<br>DX 810   | Cover                       | Couvercle                   |  |
|       | 26501 | Deckel<br>DX 830 S   | Cover                       | Couvercle                   |  |
|       | 26439 | Deckel<br>DX 800 S   | Cover                       | Couvercle                   |  |
| 27    | 47677 | Fassung orange   |                             |                             |  |
| 28    | 47679 | Fassung grün   |                             |                             |  |
| 29    | 47678 | Fassung rot  |                             |                             |  |
| 30    | 11565 | Schraube KA50x18   | Screw PT 5x18               | Vis autotaraudeuse PT 5x18  |  |
| 31    | 11253 | Schraube KA50x20   | Screw PT 5x20               | Vis autotaraudeuse PT 5x20  |  |

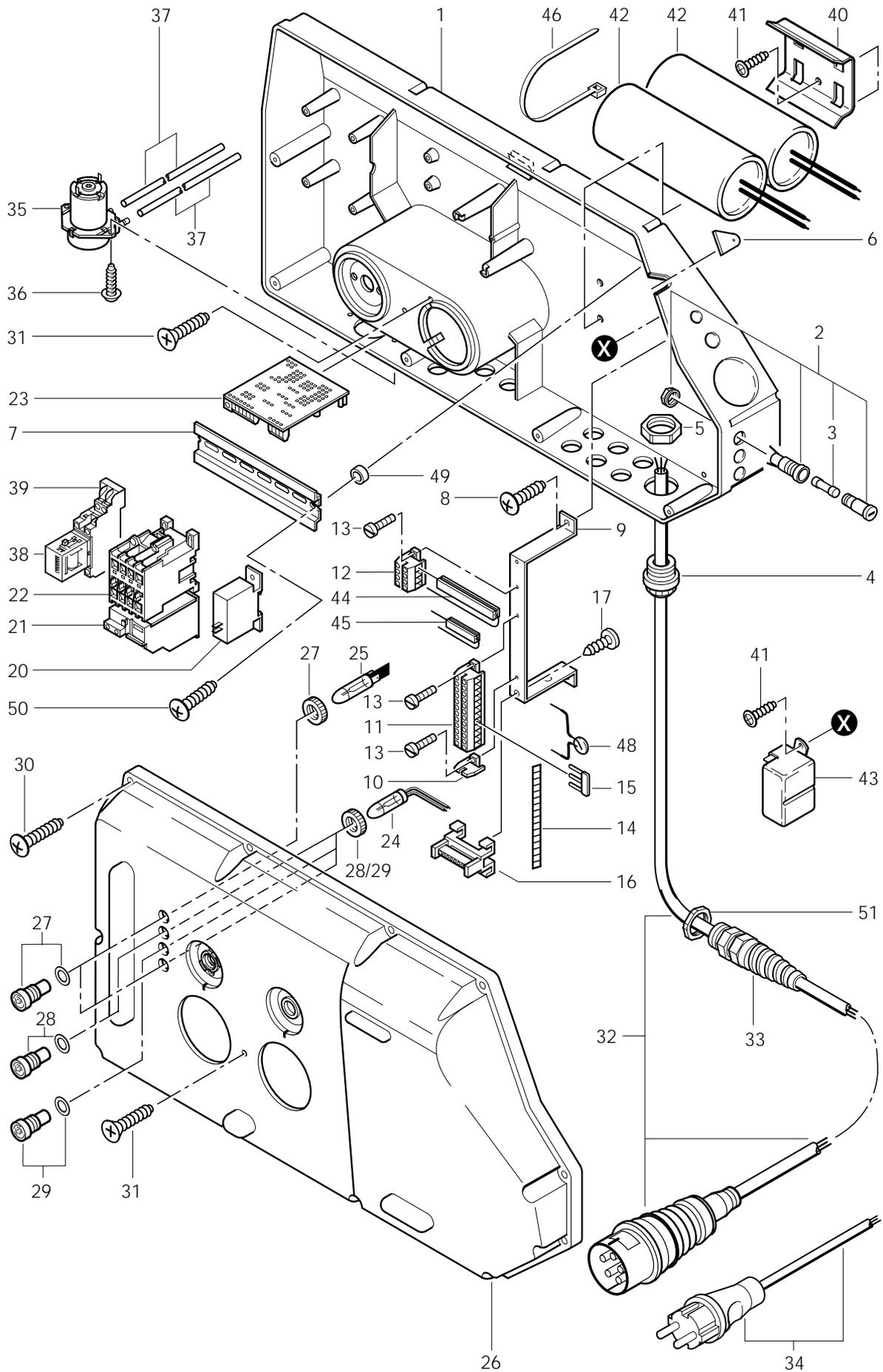
DX800  
 DX800S  
 DX810  
 DX810Euro  
 DX820  
 DX830  
 DX830S  
 DX930



| POS. | NO.   | BEZEICHNUNG  | DESCRIPTION                  | DESIGNATION                  |
|------|---|--|------------------------------|------------------------------|
| 32   | 29052   | Anschlußleitung<br>DX 800-2 *ES*BE*NL*TW*PH*KR*JP*<br>DX 800 S-2 *ES*BE*NL*<br>DX 830-2 *ES*BE*NO*RC*TW*KR*PH*<br>DX 930-2 *ES*BE*NO*  | Power cable                  | Câble électrique             |
|      | 29051   | Anschlußleitung<br>Ohne Stecker DX 830-2 *JP*<br>DX 930-2 *JP*   | Power cable                  | Câble électrique             |
|      | 29007   | Anschlußleitung<br>DX 800 S-2 *EXP*GB*ZA*ES*BE*NL*<br>DX 810-2 *EXP*ES*BE*<br>DX 830-2 *EXP*ES*BE*PT*<br>DX 930-2 *EXP*ZA*ES*BE*PT*AU* | Power cable                  | Câble électrique             |
|      | 27072   | Anschlußleitung<br>DX 800 S-2 *FR*<br>DX 810-2 *FR*<br>DX 830 S-2 *FR*<br>DX 930-2 *FR*  | Power cable                  | Câble électrique             |
|      | 14861   | Anschlußleitung<br>DX 800-2 *DE*EUR*<br>DX 810-2 *DE*EUR*<br>DX 830-2 *DE*AT*CH*EUR*<br>DX 930-2 *DE*AT*EUR*                           | Power cable                  | Câble électrique             |
| ◇    | 4908  | Leitung Gum. Mewa 4x 1,5<br>DX 800-2 *PT*  | Power Cable 4G1,5 H07RN-F    | Câble électrique 4G1,5 H07F  |
| 33   | 17350   | Kabelverschraubung<br>DX 830-2 *JP*<br>DX 930-2 *JP*   | Cable gland PG 16            | Raccord à vis pour câbles PG |
|      | 11567   | Kabelverschraubung   | Cable gland                  | Raccord à vis pour câbles    |
| 34   | 15274   | Anschlußleitung<br>DX 820-2 *GB*   | Power cable                  | Câble électrique             |
|      | 14503   | Anschlußleitung<br>DX 820-2 *ZA*   | Power cable                  | Câble électrique             |
|      | 11156   | Anschlußleitung<br>DX 820-2 *DE*EXP*FR*KR*AU*  | Power cable                  | Câble électrique             |
| 35   | 49235   | Dosierpumpe  | Pump                         | Pompe                        |
| 36   | 18086   | Linienblechschraube 2,9x13   | Sheet metal screw 2,9x13 DII | Vis autotaraudeuse 2,9x13 D  |
| ◇    | 37  | Rohr   | Tube 6x1x500 mm              | Tube 6x1x500 mm              |
| ◇    | ACHTUNG! - Meterware - Bitte bei Bestellung gewünschte Länge angeben!           |  |                              |                              |
| ◇    | ATTENTION! - Lengths in metres - Please indicate required length when ordering! |  |                              |                              |
| ◇    | ATTENTION! - Longueurs par mètre - Préciser la longueur à la commande!          |  |                              |                              |

DX800  
DX800S  
DX810  
DX810Euro  
DX820  
DX830  
DX830S  
DX930

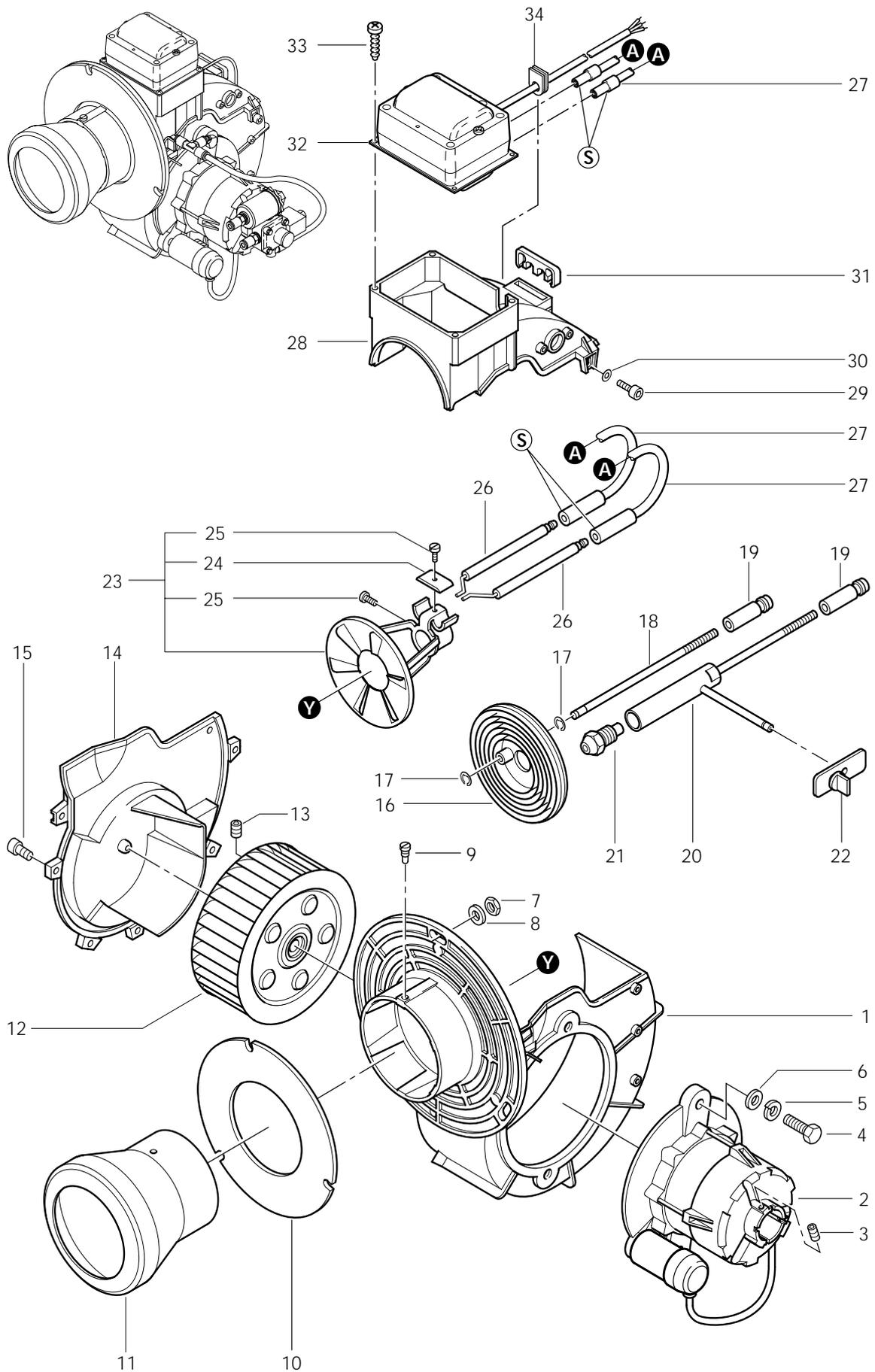
DX800  
 DX800S  
 DX810  
 DX810Euro  
 DX820  
 DX830  
 DX830S  
 DX930



| POS. | NO.   | BEZEICHNUNG  | DESCRIPTION       | DESIGNATION                |
|------|-------|--|-------------------|----------------------------|
| 38   | 4289  | Relais<br>DX 800 S-2*ZA*<br>DX 820-2*ZA*<br>DX 930-2*ZA* | Relay             | Relais                     |
| 39   | 4290  | Sockel<br>DX 800 S-2*ZA*<br>DX 820-2*ZA*<br>DX 930-2*ZA* | Support           | Support                    |
| 40   | 57193 | Blech<br>DX 820-2  | Bracket           | Support                    |
| 41   | 10028 | Schraube KA50x14<br>DX 820-2                             | Screw PT 5x14     | Vis autotaraudeuse PT 5x14 |
| 42   | 56809 | Kondensator 50µF<br>DX 820-2                             | Capacitor 50µF    | Condensateur 50µF          |
|      | 49833 | Kondensator 70µF<br>DX 820-2                             | Capacitor 70 µF   | Condensateur 70 µF         |
| 43   | 11060 | Anlaßrelais<br>DX 820-2                                  | Relay             | Relais                     |
| 44   | 49572 | Vorwiderstand<br>4 R 7 DX 820-2                          | Resistor 4,7 Ohm  | Résistance 4,7 Ohm         |
| 45   | 49573 | Entlade-Widerstand<br>15 K DX 820-2                      | Resistor 100 kOhm | Résistance 100 kOhm        |
| 46   | 8819  | Kabelband<br>DX 820-2                                    | Cable tie         | Attache pour câbles        |
| 48   | 26787 | Varistor   |                   |                            |
| 49   | 24536 | Abstandsrolle  |                   |                            |
| 50   | 11565 | Schraube KA50x18   | Screw PT 5x18     | Vis autotaraudeuse PT 5x18 |
| 51   | 1762  | Mutter PG16  | Hexagon nutPG16   | Ecrou 6 pansPG16           |

DX800  
DX800S  
DX810  
DX810Euro  
DX820  
DX830  
DX830S  
DX930

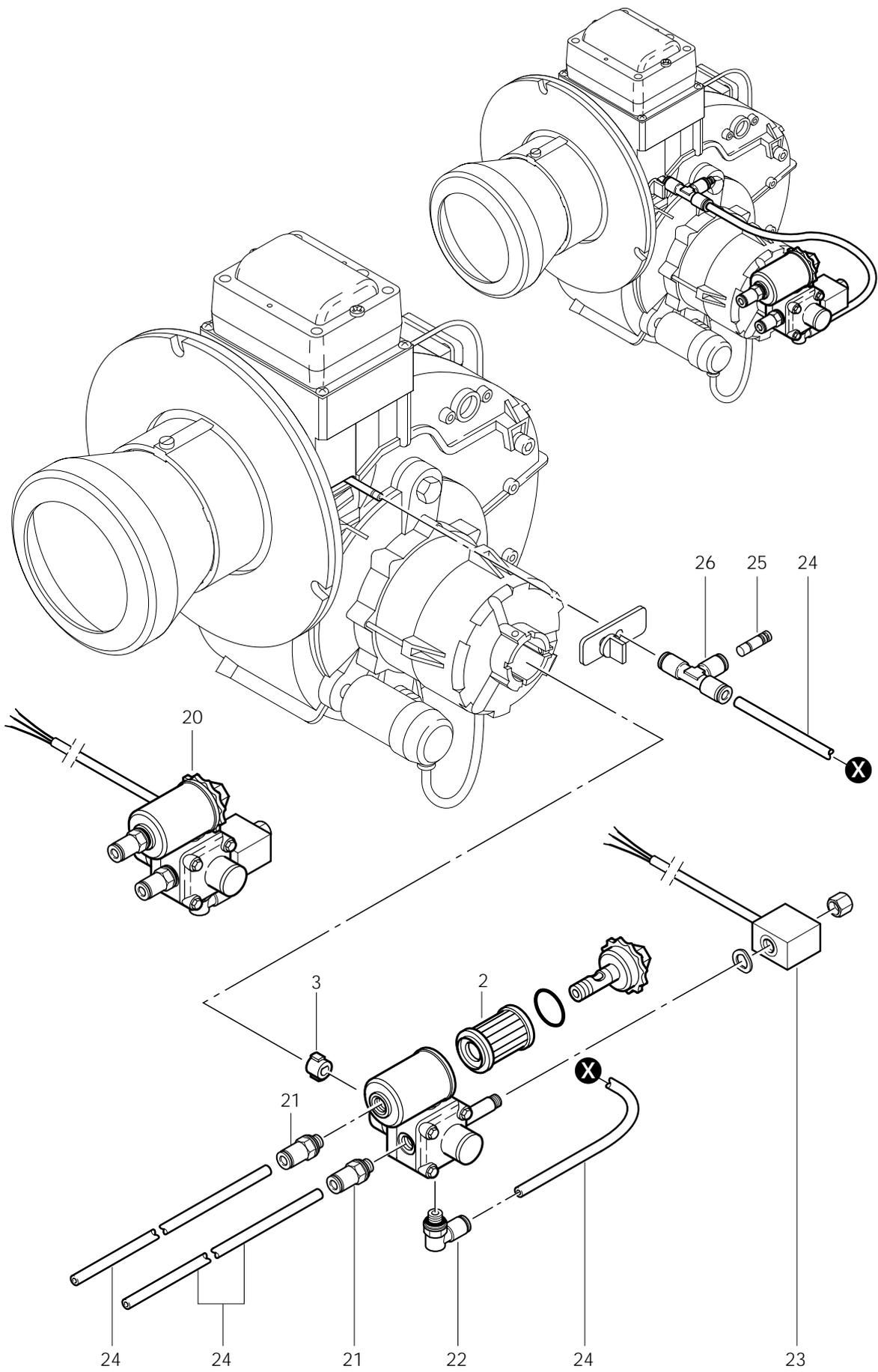
DX800  
 DX800S  
 DX810  
 DX810Euro  
 DX820  
 DX830  
 DX830S  
 DX930



| POS. | NO.   | BEZEICHNUNG                | DESCRIPTION                  | DESIGNATION                     |
|------|-------|----------------------------|------------------------------|---------------------------------|
| 1    | 17209 | Gebläsegehäuse             | Fan casing                   | Carter de turbine               |
| 2    | 14955 | Brennermotor               | Fuel oil burner motor        | Moteur bruleur                  |
| 3    | 30180 | Gewindestift M5x10         | Threaded pin M5x10 DIN 91    | Vis de pression M5x10 DIN 91    |
| 4    | 2750  | Skt. Schraube M 8x 25      | Hexagon cap screw M8x25      | Vis 6 pans M8x25 DIN 933        |
| 5    | 2770  | Federring A 8              | Federring A8 DIN 127         | Federring A8 DIN 127            |
| 6    | 2762  | Scheibe A 8,4              | Washer A8,4 DIN 125          | Rondelle A8,4 DIN 125           |
| 7    | 17626 | Mutter M 8                 | Hexagon nut M8 DIN 6925      | Ecrou 6 pans M8 DIN 6925        |
| 8    | 2793  | Scheibe A 8,4              | Washer A8,4 DIN 9021         | Rondelle A8,4 DIN 9021          |
| 9    | 17698 | Schraube Fl-Kpf- M6x 6     | Pan head screw M6x6x6 DIN    | Vis à tête aplatie M6x6x6 DIN   |
| 10   | 33644 | Dichtring                  | Packing ring                 | Anneau d" isolation             |
| 11   | 33111 | Flammentrichter            | Flame tunnel                 | Tuyere                          |
| 12   | 14109 | Gebläserad                 | Impeller                     | Turbine                         |
| 13   | 3289  | Gewindestift M8x10 DIN 913 | Threaded pin M8x10 DIN 91    | Vis de pression M8x10 DIN 91    |
| 14   | 30970 | Gehäusedeckel              | Casing cover                 | Couvercle de pompe              |
| 15   | 4820  | Zyl. Schraube M 5x 10      | Socket head cap screw M5x1   | Vis cylindrique M5x10 DIN 91    |
| 16   | 31303 | Regulierscheibe            | Regulating washer            | Disque de réglage               |
| 17   | 14117 | Sicherungsscheibe D4       | Retaining washer D4 DIN 67   | Rondelle de securite D4 DIN 67  |
| 18   | 17784 | Führungsstab               | Guid bar                     | Guide                           |
| 19   | 17783 | Hülse                      | Bush                         | Douille                         |
| 20   | 17785 | Düsenstock                 | Nozzle stock                 | Connexion                       |
| 21   | 33465 | Öldüse 1,25 45°            | Nozzle 1,25 45°              | Buse 1,25 45°                   |
| 22   | 14347 | Abdeckung                  | Covering                     | Couvercle                       |
| 23   | 43349 | Elektrodenhalter           | Electrode holder             | Porte électrode                 |
| 24   | 42204 | Klemmplatte                | Clamping plate               | Plaque de serrage               |
| 25   | 3288  | Zyl. Schraube M 4x 8       | Socket head cap screw M4x8   | Vis cylindrique M4x8 DIN 84     |
| 26   | 31314 | Zündelektrode              | Ignition electrode           | Electrode                       |
| 27   | 28801 | Zündleitung                | Ignition cable               | Cable allumage électrique       |
| 28   | 15988 | Gehäuseabdeckung           | Casing cover                 | Couvercle sup. de turbine       |
| 29   | 32535 | Zyl. Schraube M 5x 16      | Socket head cap screw M5x1   | Vis cylindrique M5x16 DIN 91    |
| 30   | 2763  | Scheibe A 5,3              | Washer A 5,3 DIN 125         | Rondelle A 5,3 DIN 125          |
| 31   | 17782 | Sicherungs-Clip            | Circlip                      | Bride de blockage               |
| 32   | 26635 | Zündtrafo 230V 50Hz        | Ignition transformer 230V 50 | Transformateur allumage 230V 50 |
| 33   | 11254 | Schraube KA35x10           | Screw PT 3,5x10              | Vis autotaraudeuse PT 3,5x10    |
| 34   | 5163  | Kabeltülle                 | Cable bushing                | Passe-fil                       |
| Ⓢ    | 33667 | Siliconpaste 100 ml        |                              |                                 |

DX800  
DX800S  
DX810  
DX810Euro  
DX820  
DX830  
DX830S  
DX930

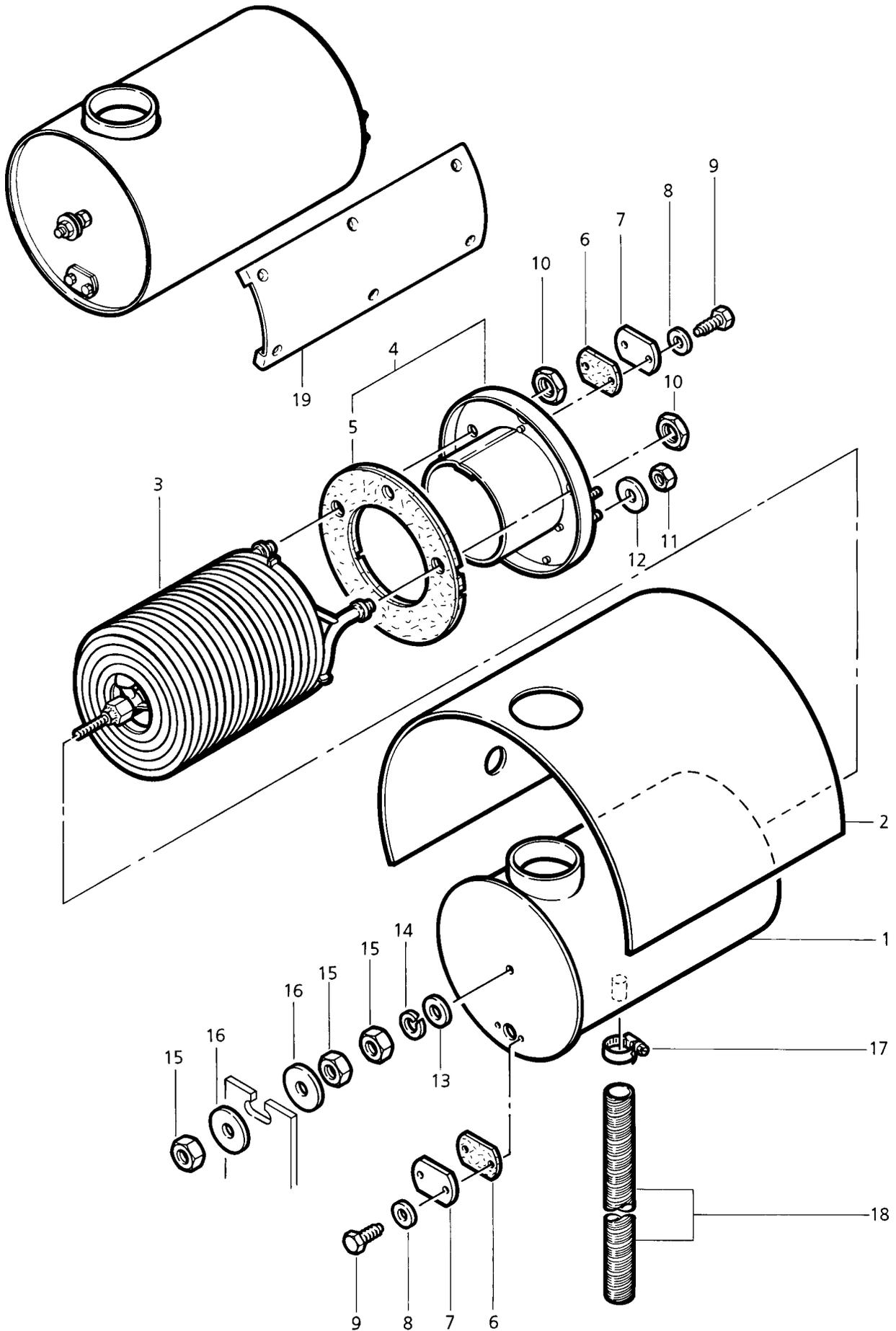
DX800  
DX800S  
DX810  
DX810Euro  
DX820  
DX830  
DX830S  
DX930



| POS. | NO.   | BEZEICHNUNG           | DESCRIPTION        | DESIGNATION         |
|------|---|-----------------------|--------------------|---------------------|
| 2    | 1756  | Filtereinsatz         | Filter cartridge   | Cartouche filtrante |
| 3    | 1226  | Kupplung              | Coupling           | Accouplement        |
| 20   | 54520   | Brennstoffpumpe 120V  | Fuel oil pump 120V | Pompe a fuel 120V   |
|      | 54519   | Brennstoffpumpe 100V  | Fuel oil pump 100V | Pompe a fuel 100V   |
|      | 47382   | Brennstoffpumpe 230 V | Fuel oil pump 230V | Pompe a fuel 230V   |
|      | 28443   | Brennstoffpumpe 200V  | Fuel oil pump 200V | Pompe a fuel 200V   |
| 21   | 29599   | Verschraubung         | Screwing D6 G1/8   | Raccord D6G1/8      |
| 22   | 28428   | Steckverbindung       |                    |                     |
| 23   | 54522   | Spule 120V            | Coil 100 V         | Bobine 100 V        |
|      | 54521   | Spule 100V            | Coil 100 V         | Bobine 100 V        |
|      | 49498   | Spule 230V            | Coil 230V          | Bobine 230V         |
|      | 29982   | Spule 200V            | Coil 200V          | Bobine 200V         |
| ◇    | 24  | 17710                 | Rohr 6x1           | Tube 6x1            |
| 25   | 29600   | Verschuß              |                    |                     |
| 26   | 28429   | Steckverbindung T     |                    |                     |
| ◇    | ACHTUNG! - Meterware - Bitte bei Bestellung gewünschte Länge angeben!           |                       |                    |                     |
| ◇    | ATTENTION! - Lengths in metres - Please indicate required length when ordering! |                       |                    |                     |
| ◇    | ATTENTION! - Longueurs par mètre - Préciser la longueur à la commande!          |                       |                    |                     |

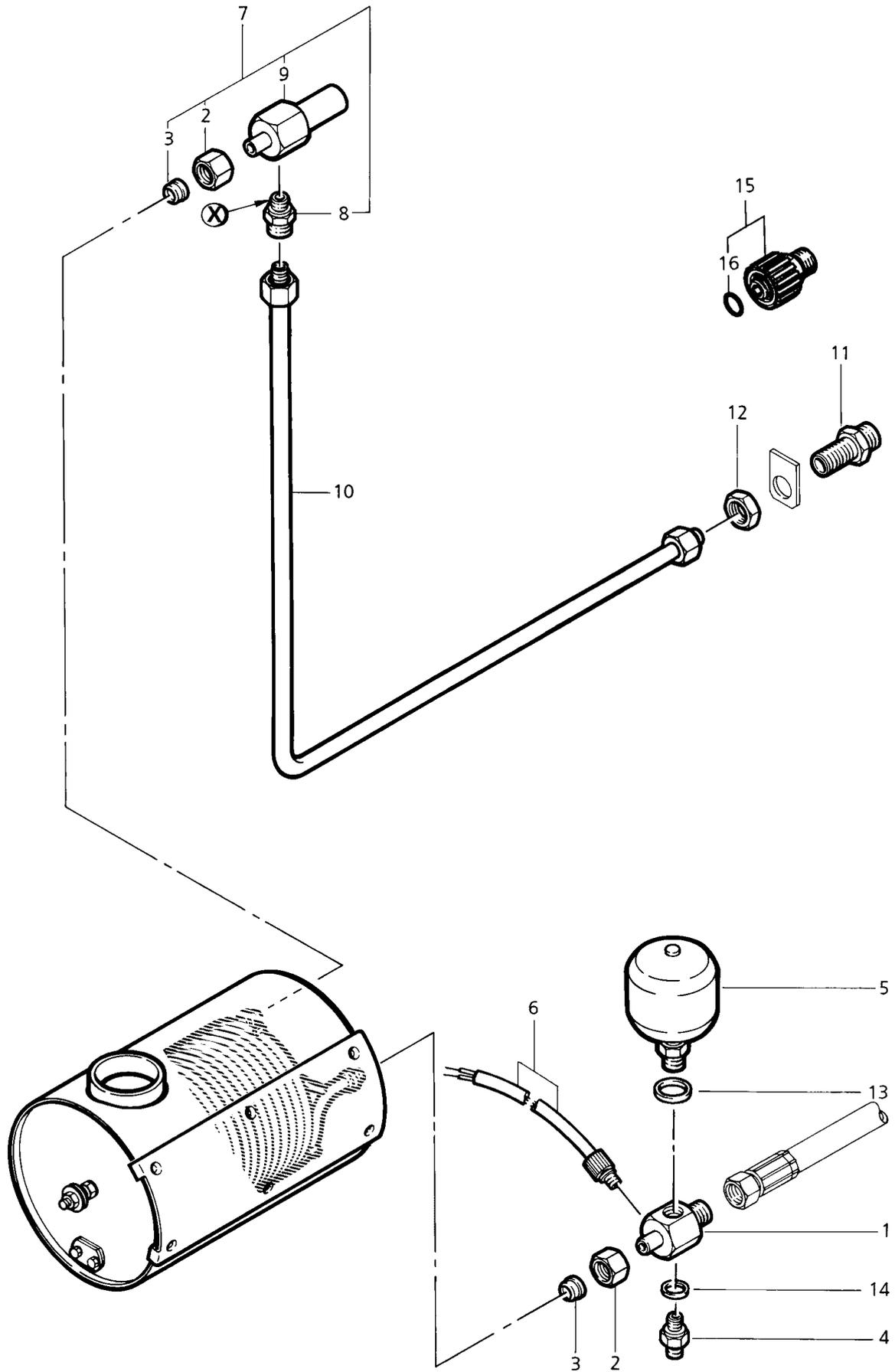
DX800  
DX800S  
DX810  
DX810Euro  
DX820  
DX830  
DX830S  
DX930

DX800  
DX800S  
DX810  
DX810Euro  
DX820  
DX830  
DX830S  
DX930



| POS. | NO.   | BEZEICHNUNG           | DESCRIPTION                 | DESIGNATION                 |
|------|-------|-----------------------|-----------------------------|-----------------------------|
| 1    | 14012 | Brennermantel         | Burner jacket               | CHAMBRE COMBUSTION          |
| 2    | 14161 | Schutzmantel          | Protective jacket           | Enveloppe de protection     |
| 3    | 41171 | Heizschlange          | Heater coil                 | Serpentin                   |
| 4    | 43416 | Frontplatte           | Front plate                 | Pièce de recouvrement       |
| 5    | 6638  | Dichtring             | Packing ring                | Anneau d" isolation         |
| 6    | 2886  | Dichtung              | Packing                     | Joint                       |
| 7    | 2885  | Deckel                | Cover                       | Couvercle                   |
| 8    | 2764  | Scheibe A 6,4         | Washer A6,4 DIN 125         | Rondelle A6,4 DIN 125       |
| 9    | 8957  | Schraube BI- 6,3x16   | Sheet metal screw 6,3x16 DI | Vis autotaraudeuse 6,3x16 D |
| 10   | 7012  | Mutter M18x1,5        | Hexagon nut M18x1,5         | Ecrou 6 pans M18x1,5        |
| 11   | 17626 | Mutter M 8            | Hexagon nut M8 DIN 6925     | Ecrou 6 pans M8 DIN 6925    |
| 12   | 2793  | Scheibe A 8,4         | Washer A8,4 DIN 9021        | Rondelle A8,4 DIN 9021      |
| 13   | 2769  | Scheibe A13           | Washer A13 DIN 125          | Rondelle A13 DIN 125        |
| 14   | 2773  | Federring A12         | Spring washer A12 DIN 127   | Rondelle grower A12 DIN 12  |
| 15   | 2761  | Mutter M12            | Hexagon nut M12 DIN 934     | Ecrou 6 pans M12 DIN 934    |
| 16   | 8961  | Scheibe A13           | Washer A13 DIN 9021         | Rondelle A13 DIN 9021       |
| 17   | 8298  | Schlauchschelle 16-27 | Hose clip 16-27/9           | Collier 16-27/9             |
| 18   | 46991 | Schlauch              | Hose D22X220 mm             | Tuyau D22X220 mm            |
| 19   | 49159 | Schutz                | Guard                       | Protecteur                  |

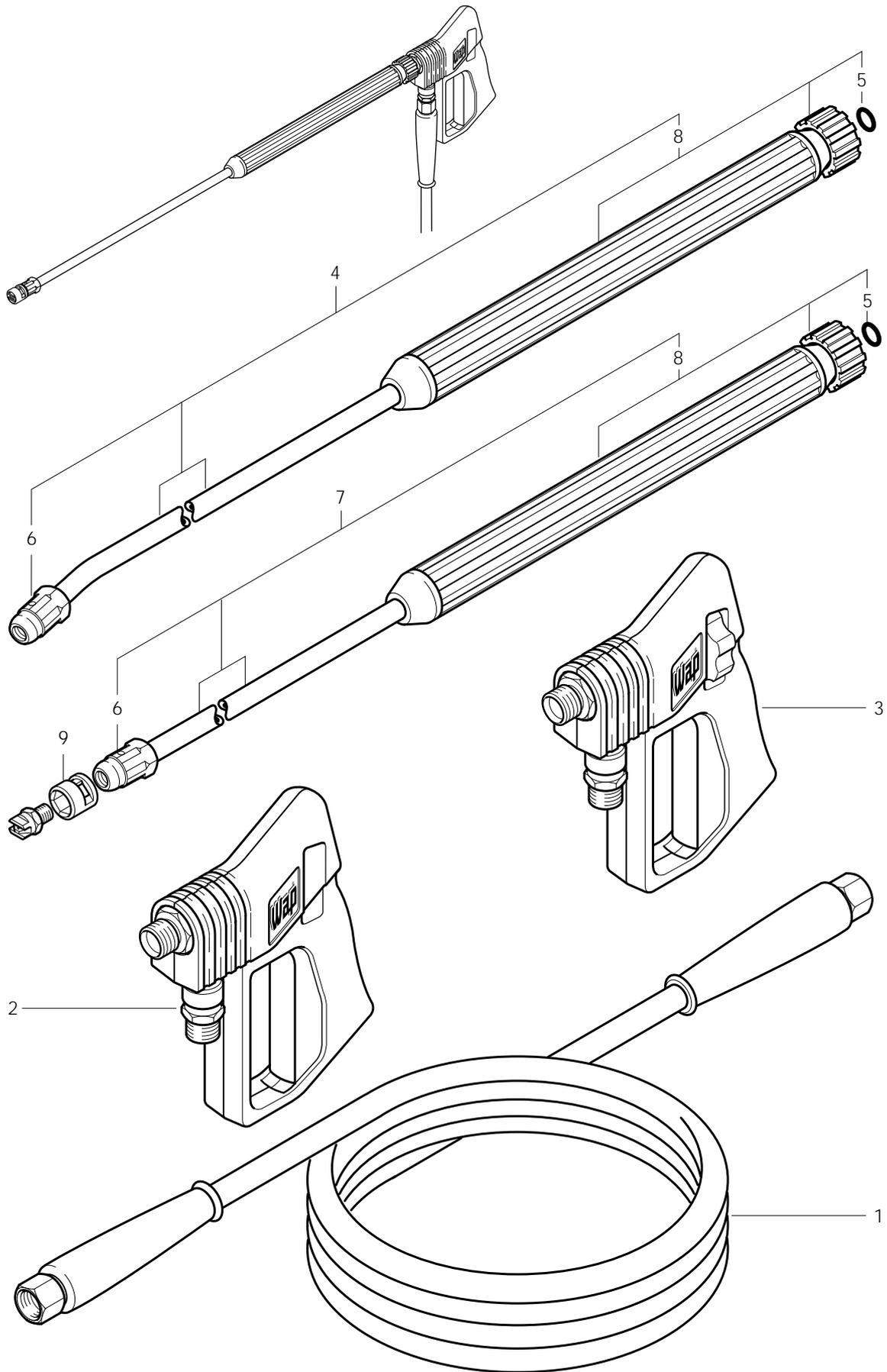
DX800  
DX800S  
DX810  
DX810Euro  
DX820  
DX830  
DX830S  
DX930



| POS. | NO.   | BEZEICHNUNG                | DESCRIPTION            | DESIGNATION                 |
|------|-------|----------------------------|------------------------|-----------------------------|
| 1    | 46303 | Verteiler                  | Screwing               | Raccord                     |
| 2    | 1081  | Überwurfmutter 12L         | Cap nut M12L           | Ecrou M12L                  |
| 3    | 1080  | Schneidring 12L            | Tapered ring 12L       | Raccord olive 12L           |
| 4    | 1821  | Verschraubung XG 6LR1/8"   | Screwing               | Raccord                     |
| 5    | 14537 | Hydrospeicher 0,2- 30 bar  | Hydraulic damper       | Amortisseur hydraulique     |
| 6    | 30796 | Thermosicherung            | Thermal cutout         | Thermofusible               |
| 7    | 10309 | Verschraubung              | Screwing               | Raccord                     |
| 8    | 3938  | Verschraubung XG12LR1/4"   | Screwing               | Raccord                     |
| 9    | 7023  | Verteiler                  | Screwing               | Raccord                     |
| 10   | 47747 | Rohr                       | Tube                   | Tube                        |
| 11   | 46346 | Verschraubung              | Screwing               | Raccord                     |
| 12   | 1429  | Mutter M18x1,5             | Hexagon nut M18x1,5    | Ecrou 6 pans M18x1,5        |
| 13   | 13663 | Dichtring 16 x 20 x1,5 CU  | Packing ring 16x20x1,5 | Anneau d'isolation 16x20x1  |
| 14   | 1605  | Dichtring 10 x 14 x 1,5 CU | Packing ring 10x14x1,5 | Anneau d'isolation 10x14x1, |
| 15   | 5895  | Quickverschraubung         | Quick connection       | Raccord rapide              |
| 16   | 6149  | O-Ring 9,3 x2,4            | O-Ring 9,3x2,4         | Joint torique 9,3x2,4       |
| ⊗    | 33397 | Loctite 242 50 ml          | Loctite 242, 50 ml     | Loctite 242, 50 ml          |

DX800  
DX800S  
DX810  
DX810Euro  
DX820  
DX830  
DX830S  
DX930

DX800  
DX800S  
DX810  
DX810Euro  
DX820  
DX830  
DX830S  
DX930



| POS. | NO.   | BEZEICHNUNG   | DESCRIPTION           | DESIGNATION                |
|------|-------|---|-----------------------|----------------------------|
| 1    | 14987 | HD-Schlauch DN 8x10,0m  | HP hose DN8x10 m      | Tuyau HP DN8x10 m          |
| 2    | 16163 | Abschaltpistole<br>Dichtungssatz = 16754<br>DX 820-2  | Trigger               | Pistolet                   |
| 3    | 32128 | Abschaltpistole<br>Dichtungssatz = 32073<br>DX 800-2, DX 800 S-2, DX 810-2,<br>DX 830-2, DX 830 S-2, DX 930-2 | Trigger               | Pistolet                   |
| 4    | 8074  | Sprührohr 1000mm geb.<br>DX 800-2, DX 800 S-2, DX 810-2,<br>DX 820-2, DX 830-2,DX 830 S-2 *FR*                | Spray lance           | Lance de projection coudée |
| 5    | 6149  | O-Ring 9,3 x2,4   | O-Ring 9,3x2,4        | Joint torique 9,3x2,4      |
| 6    | 37925 | Halter  | Support               | Support                    |
| 7    | 8070  | Sprührohr 1000mm<br>DX 930-2  | Spray lance           | Lance de projection coudée |
| 8    | 26875 | Schutzrohr  | Protective tube+Quick | Tube de protection+Quick   |
| 9    | 18430 | Düsenschutzkappe  | Nozzle protecting cap | Capot protecteur de buse   |

DX800  
DX800S  
DX810  
DX810Euro  
DX820  
DX830  
DX830S  
DX930