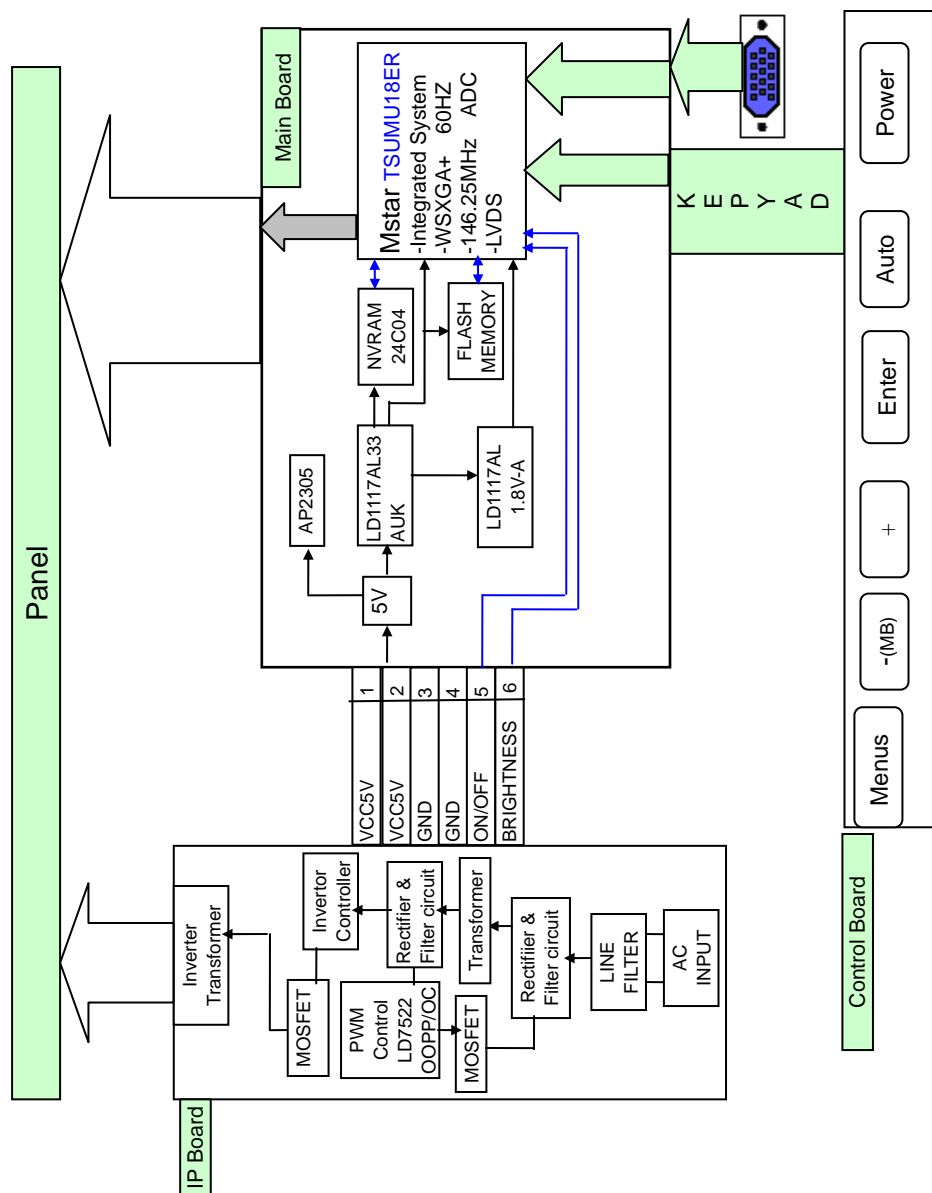


7 Schematic Diagram

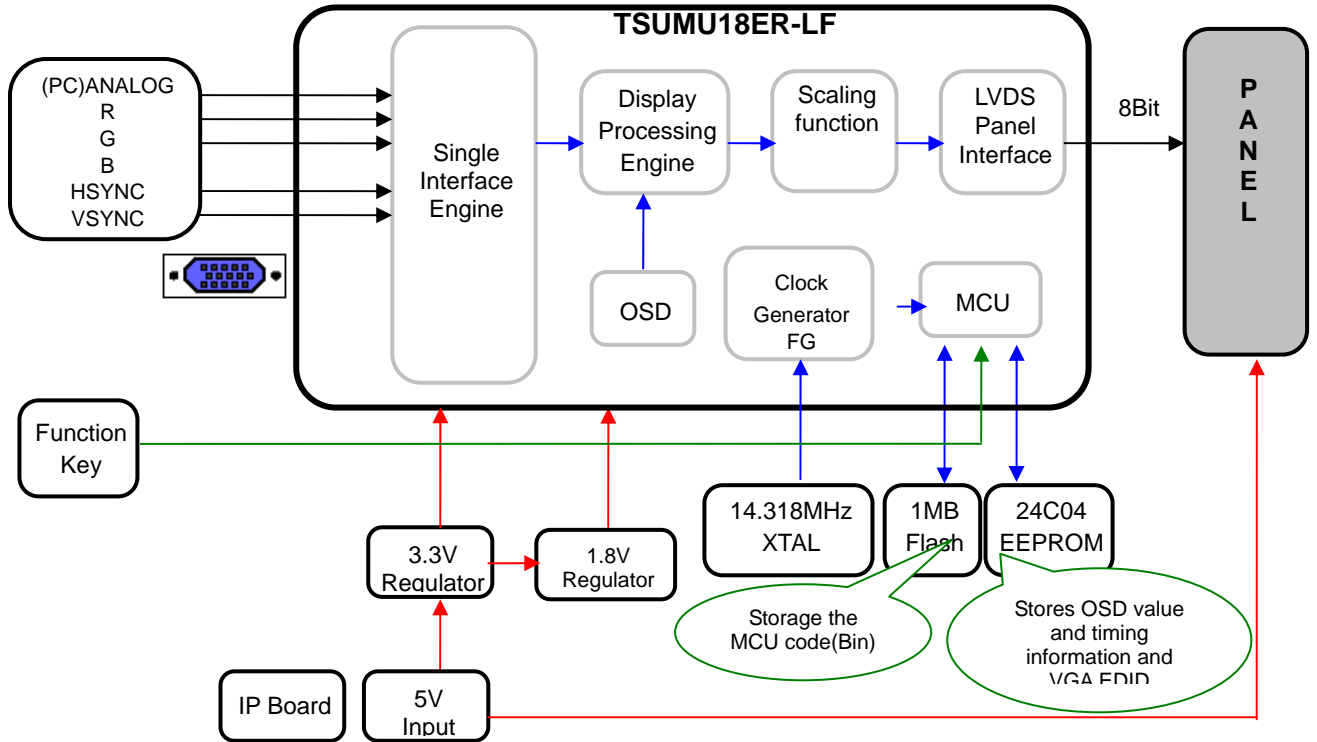
7-1 Circuit Descriptions



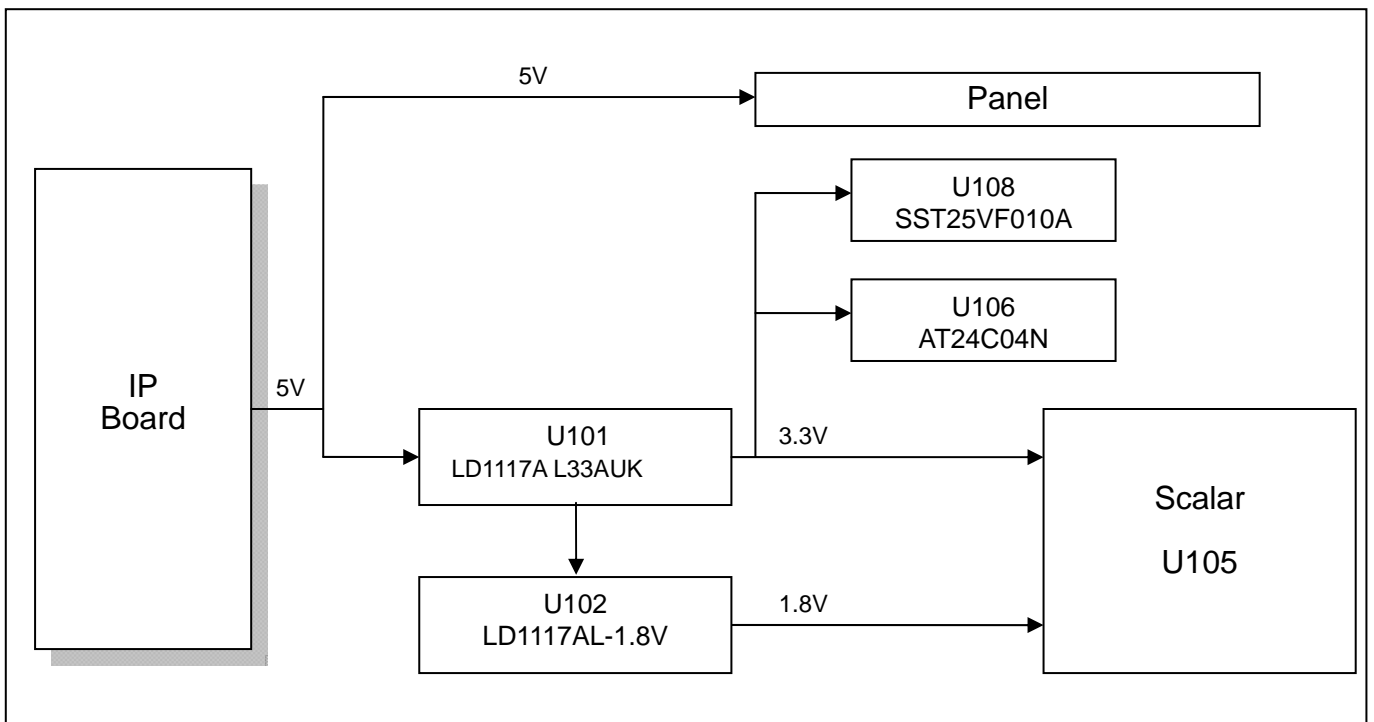
| Location | Function | Remark |
|---------------------|--|----------------------------------|
| Scalar U105 | Besides the ADC, LVDS, and scaling part, an MCU is embedded as well. All of them are integrated into one chip. | TSUM18ER-LF |
| Flash Memory U108 | Stores the MCU program embedded in the scalar. It is of a flash type and rewritable. | SST25VF010A |
| U106 | Stores the OSD and various timing values, and VGA EDID | 24C04 |
| Regulator U101 U102 | An IC that receives DC voltage inputs. It is used in circuits that stabilize the DC voltage. | LD1117A L33AUK LD1117AL-18ATG |

Attached PDF:

7-2 Schematic Diagrams (Scalar Part)



7-3 Schematic Diagrams (Power Flowchart)



Attached PDF:



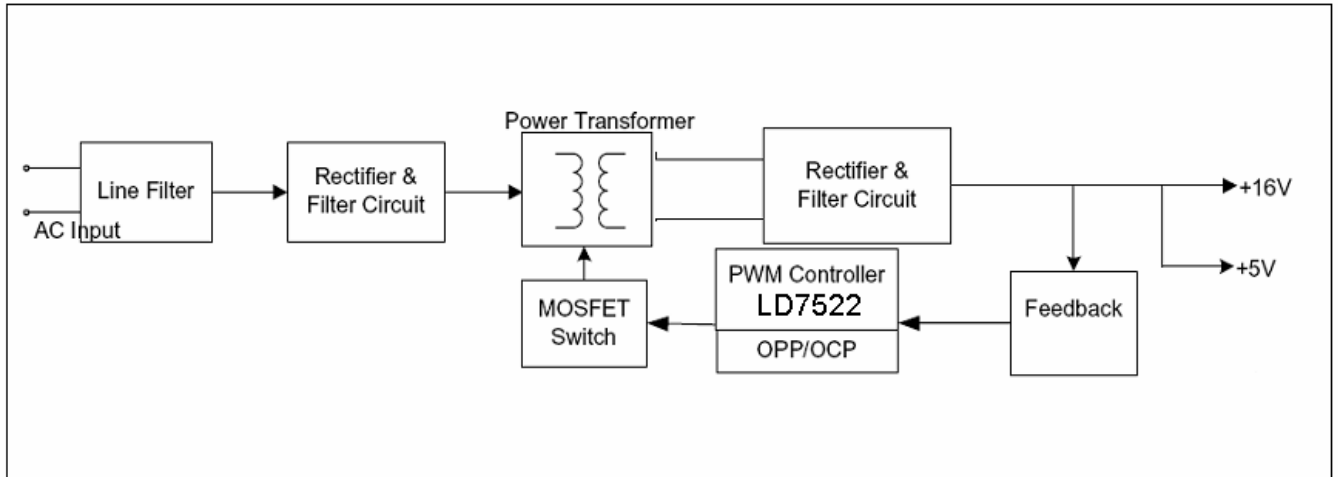
7-2. pdf



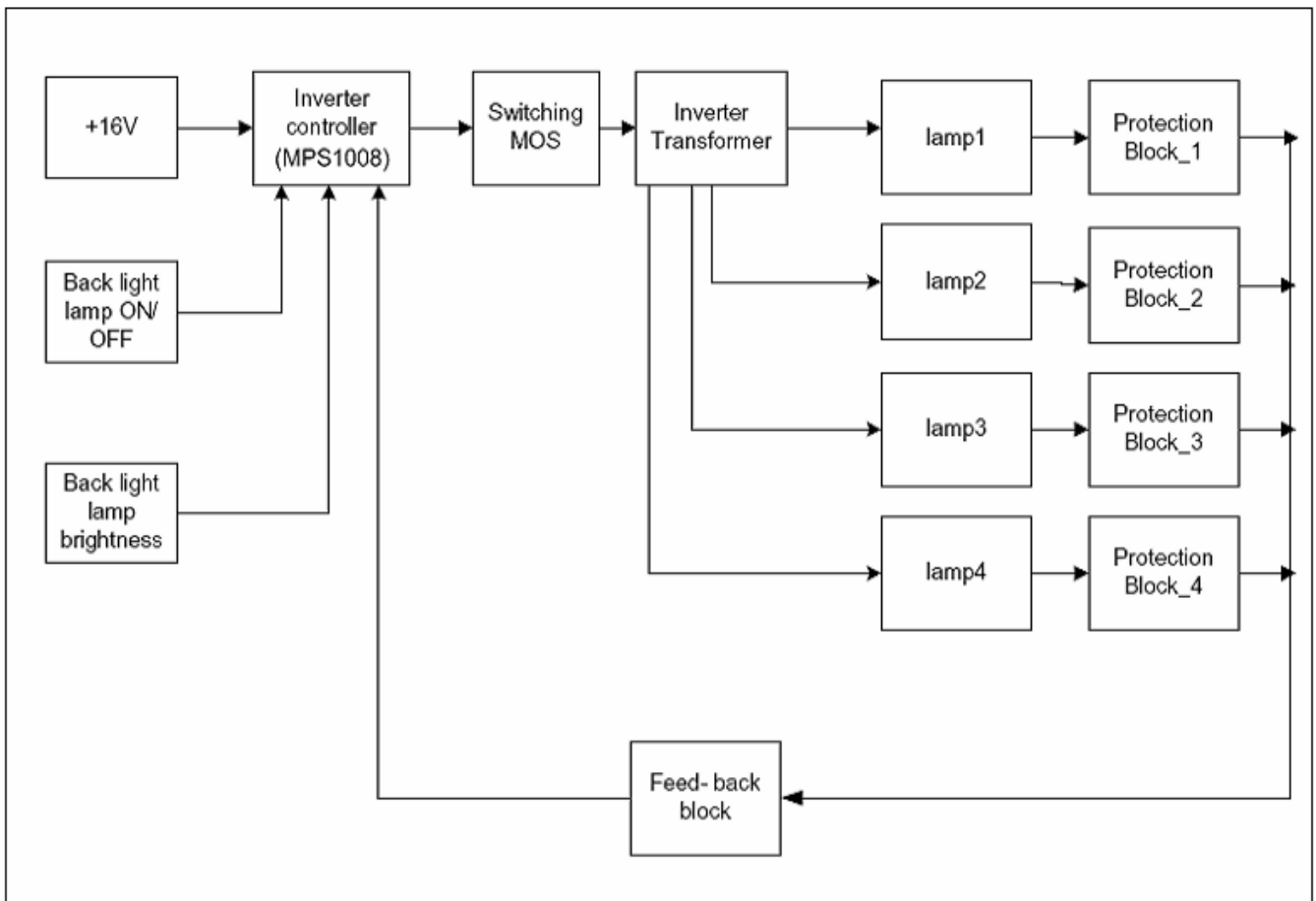
7-3. pdf

7-4 Schematic Diagrams (IP Board)

■ SMPS Part



■ Inverter Part



Attached PDF:

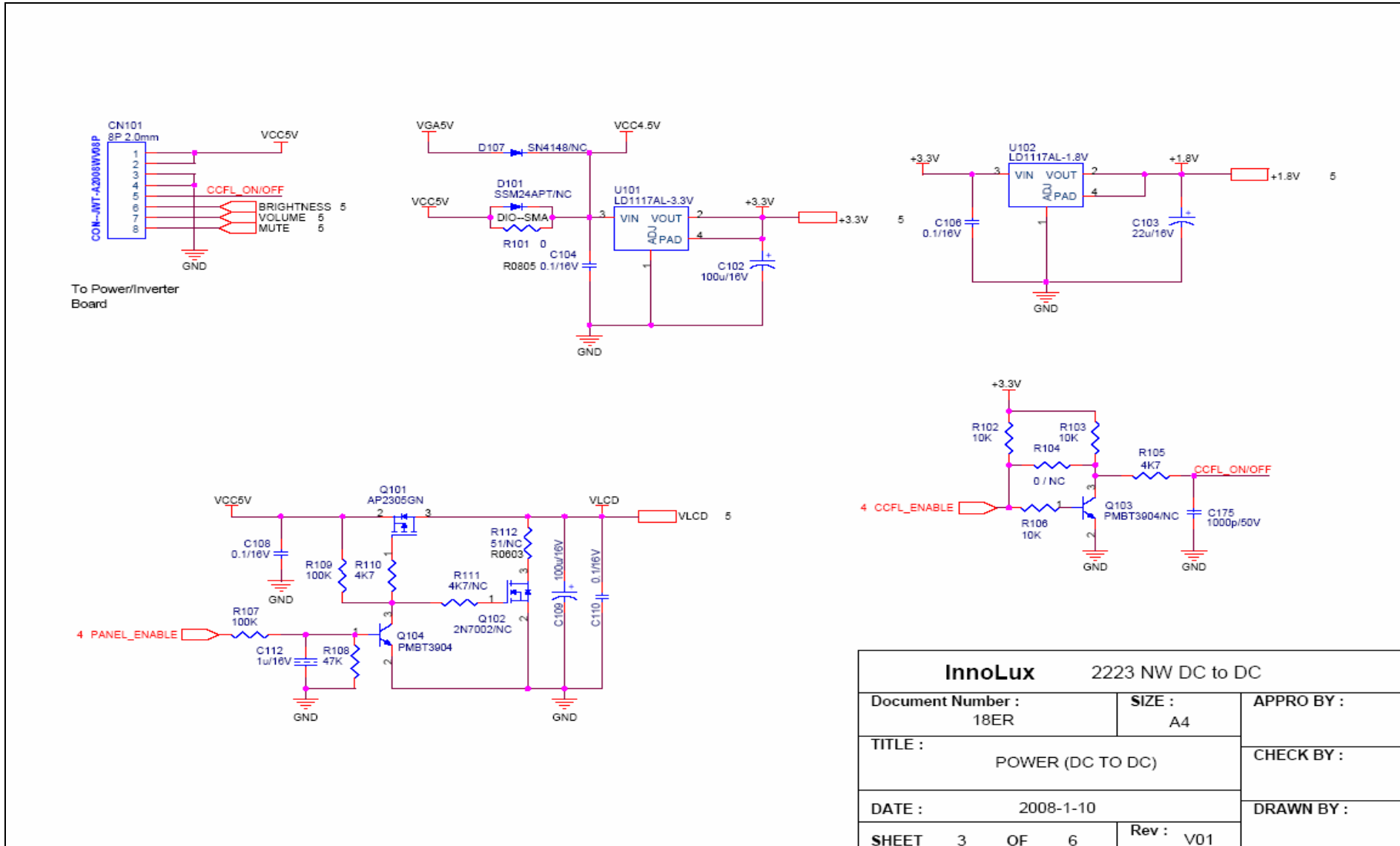


Memo

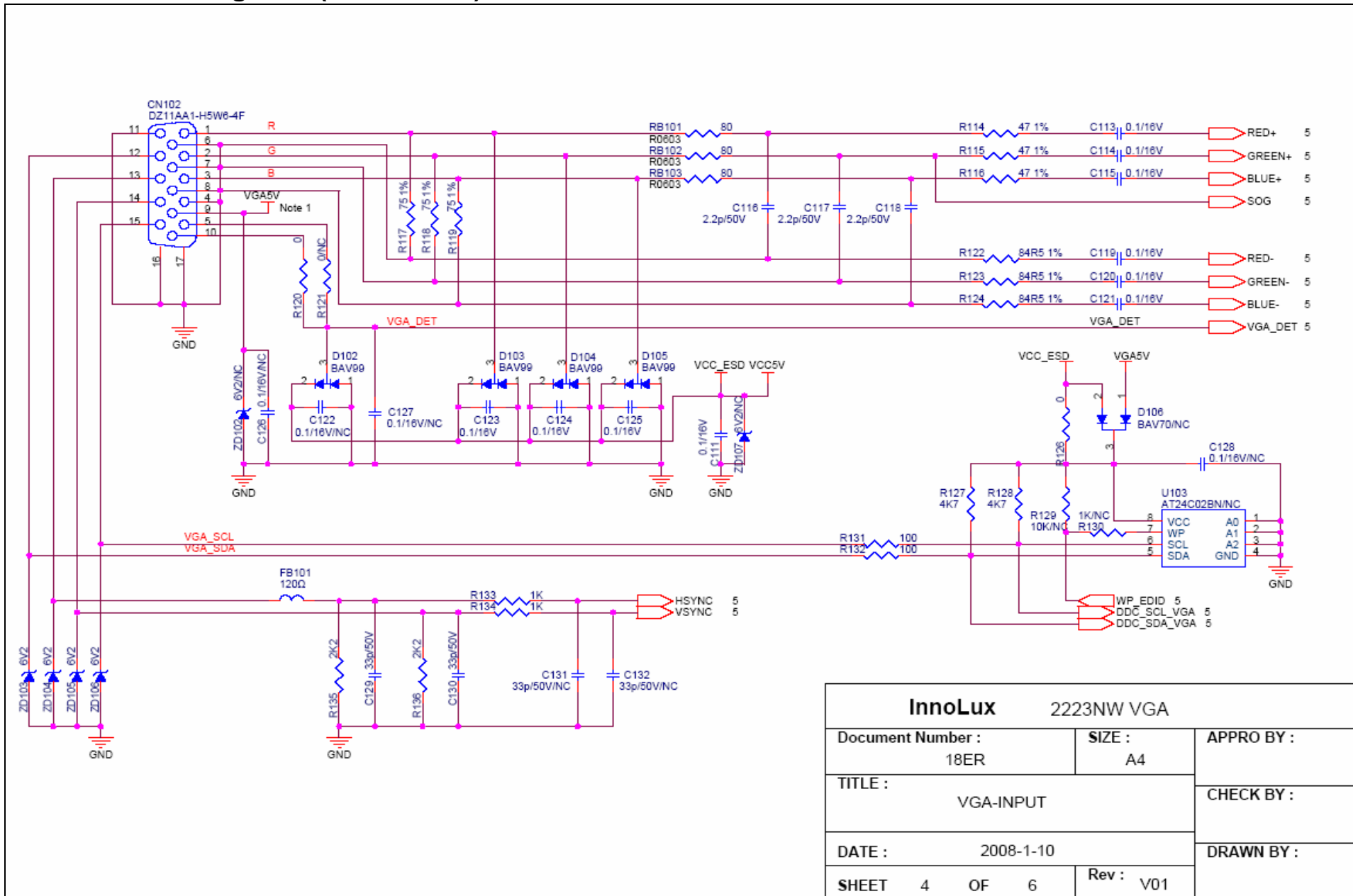
7-5 Schematic Diagrams (Main PBA-1)



Attached PDF

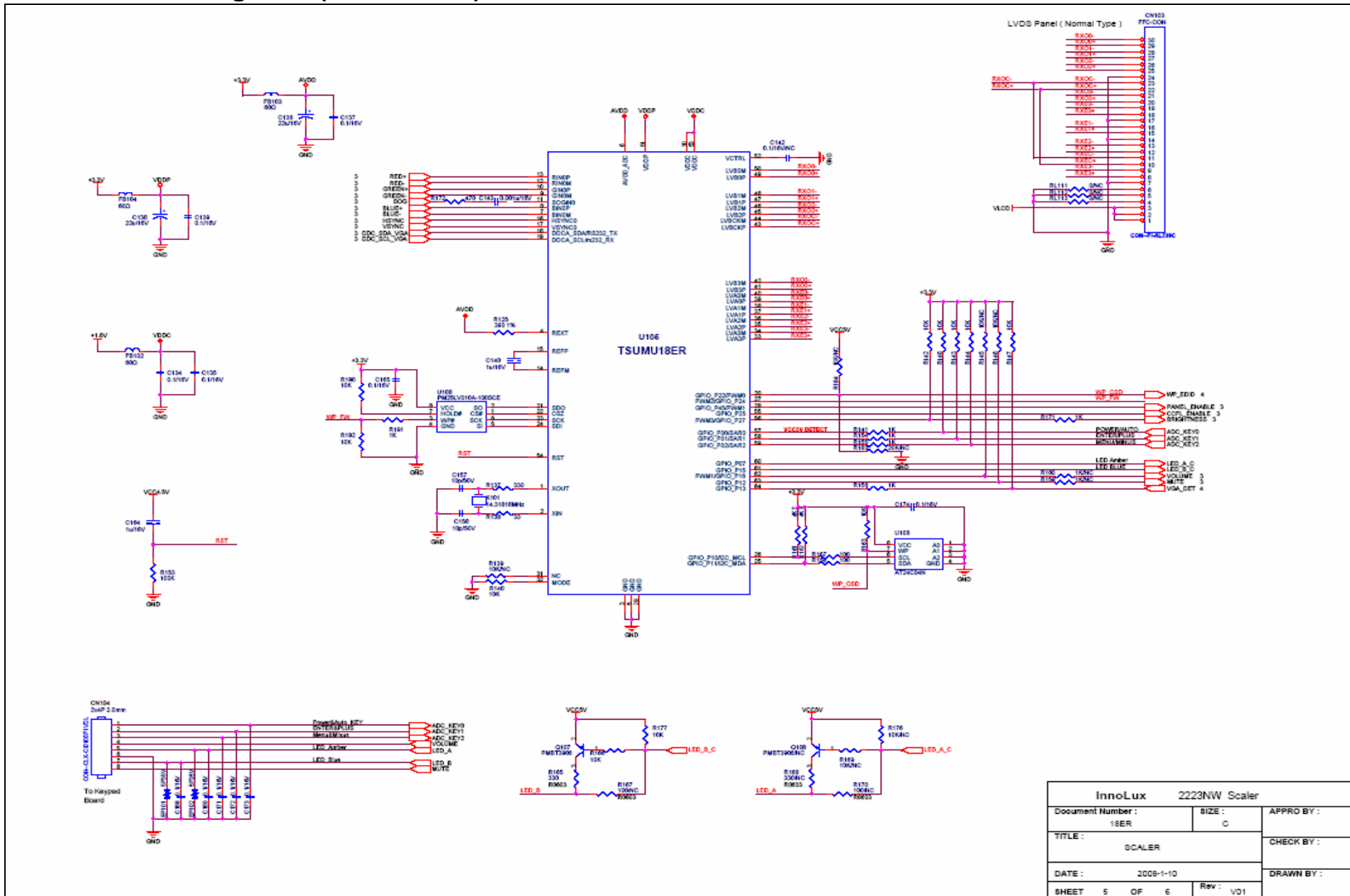


7-5 Schematic Diagrams (Main PBA-2)



| | | | |
|-------------------|-----------|------------|-----|
| InnoLux | | 2223NW VGA | |
| Document Number : | 18ER | SIZE : | A4 |
| TITLE : | | VGA-INPUT | |
| DATE : | 2008-1-10 | DRAWN BY : | |
| SHEET | 4 OF 6 | Rev : | V01 |

7-5 Schematic Diagrams (Main PBA-3)

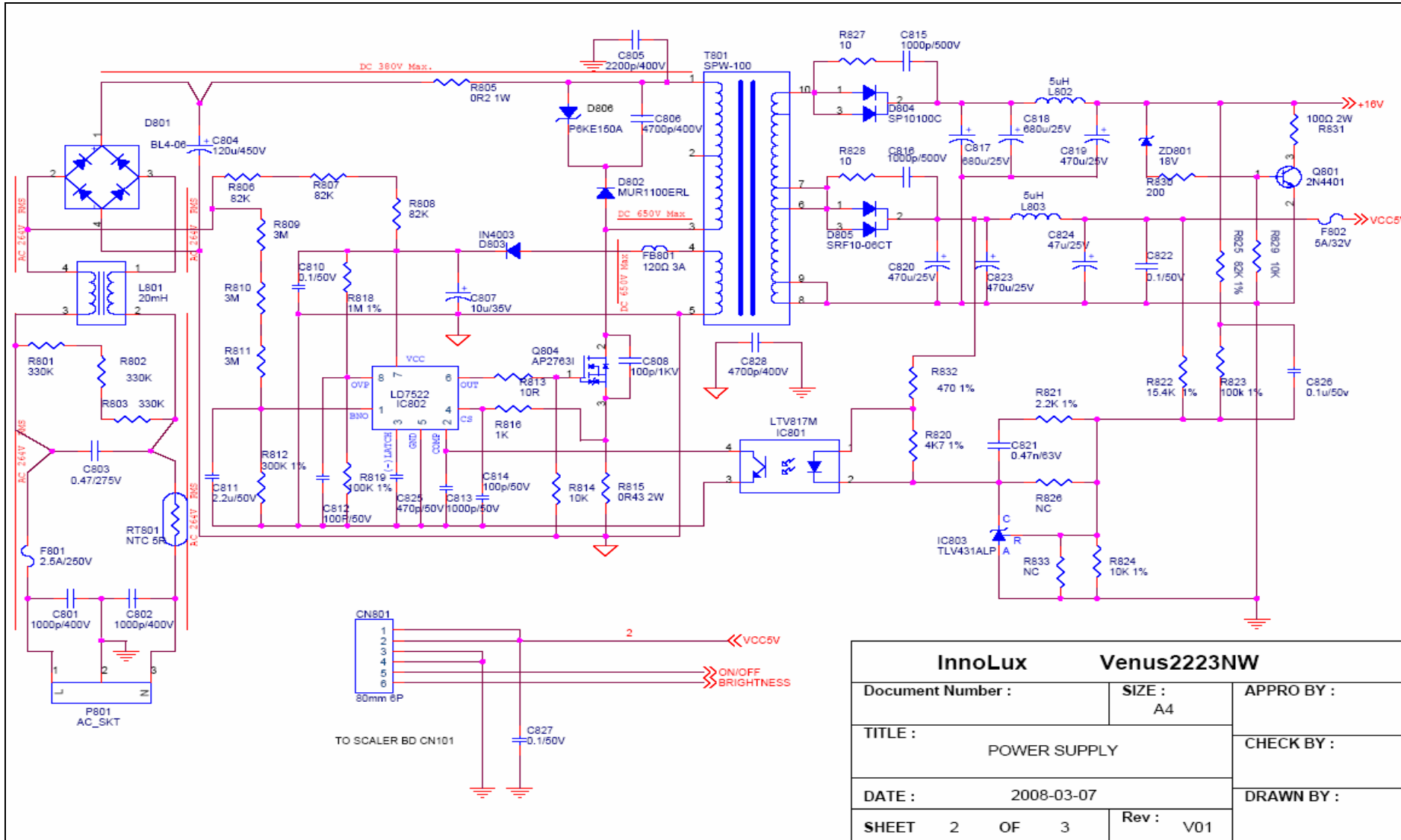


7-6 Schematic Diagrams (Power PBA-1)



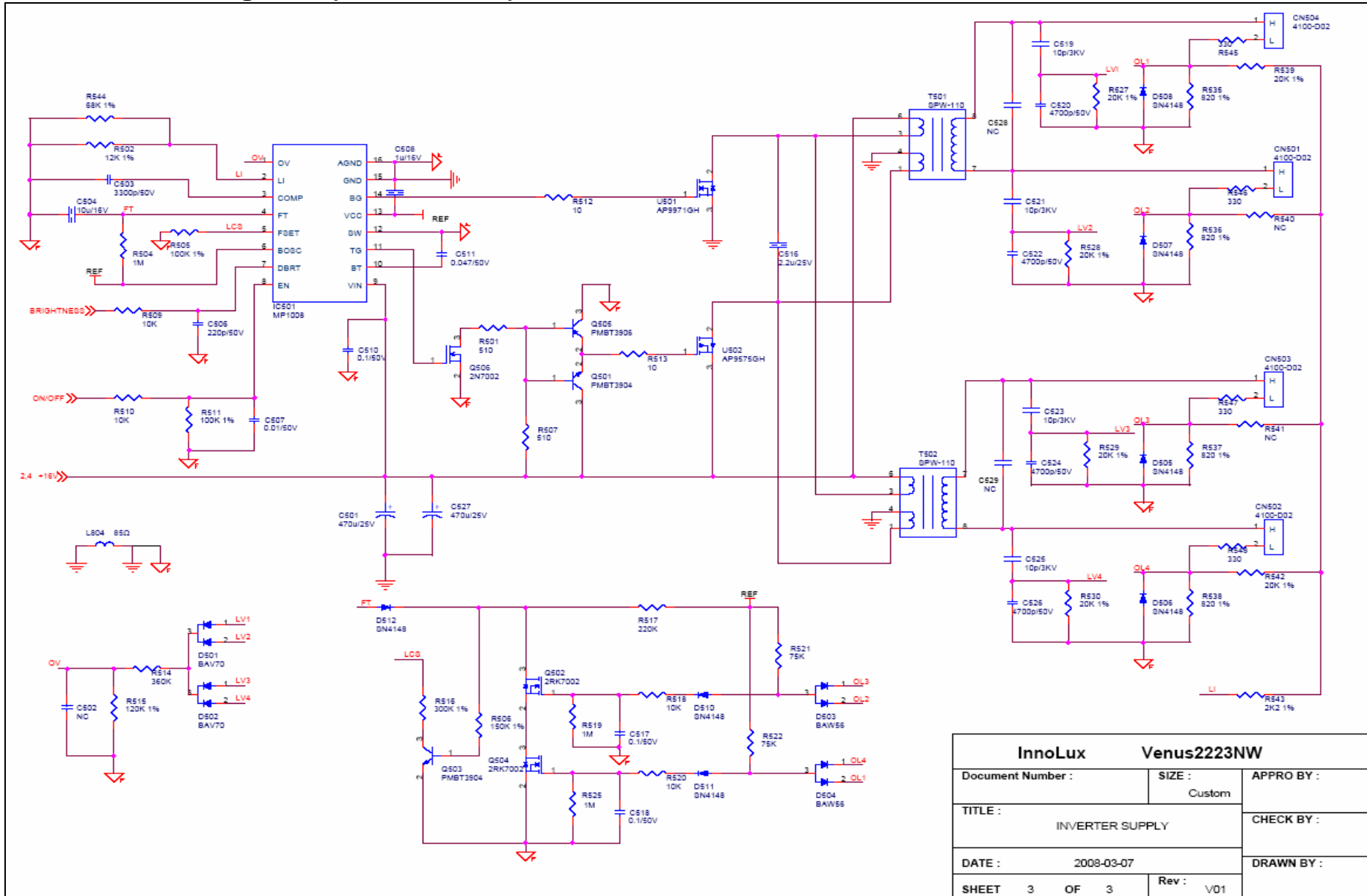
2223NWpower and inverter .pdf

Attached PDF



| InnoLux | | Venus2223NW | |
|-------------------|------------|-------------|--|
| Document Number : | SIZE : | APPRO BY : | |
| | A4 | | |
| TITLE : | | CHECK BY : | |
| POWER SUPPLY | | | |
| DATE : | 2008-03-07 | DRAWN BY : | |
| SHEET 2 OF 3 | Rev : V01 | | |

7-6 Schematic Diagrams (Power PBA-2)

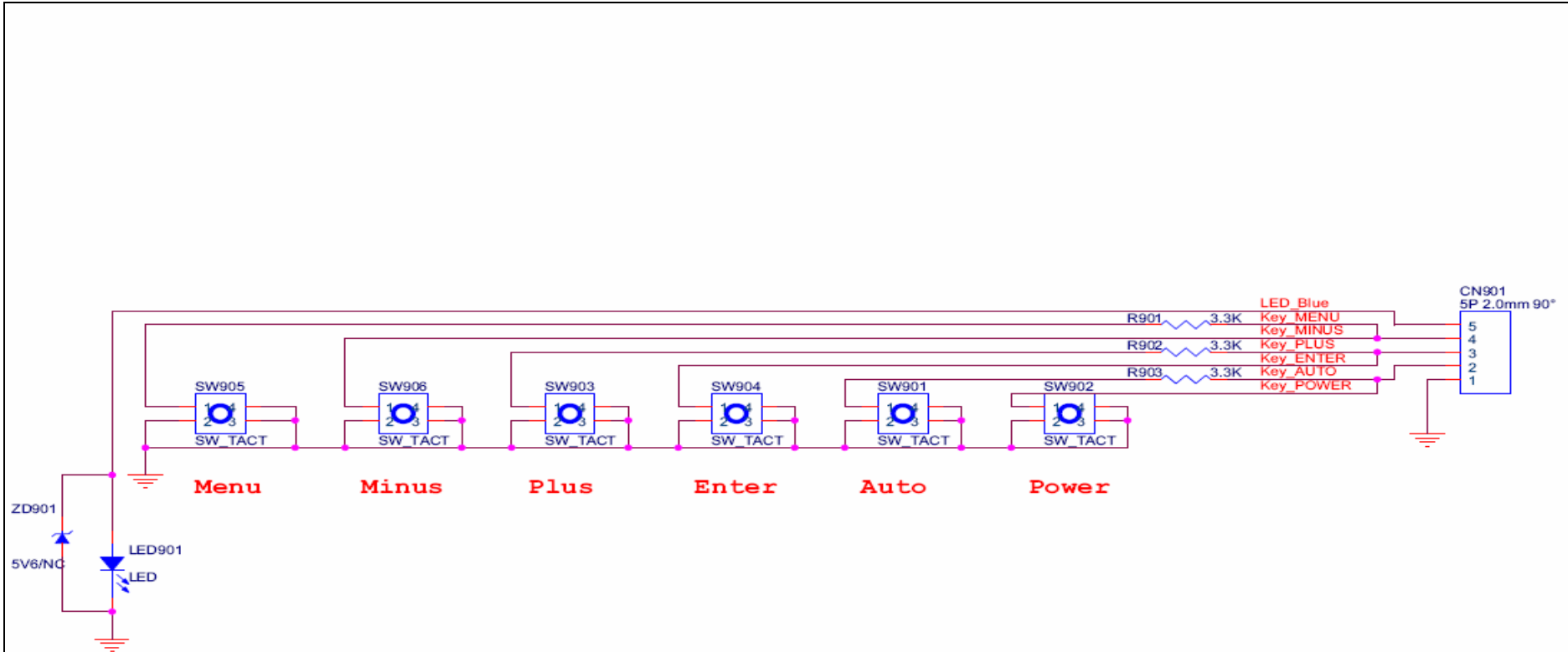


7-6 Schematic Diagrams (Function PBA)



2223 Keypad.pdf

Attached PDF



| | | | |
|----------------------------------|-------------|--------------------|-------------------|
| InnoLux | | Venus 2223NW | |
| Document Number : 18ER | | SIZE : A | APPRO BY : |
| TITLE : Keypad | | | CHECK BY : |
| DATE : 2008-04-10 | | | DRAWN BY : |
| SHEET 6 | OF 6 | Rev : V01 | |