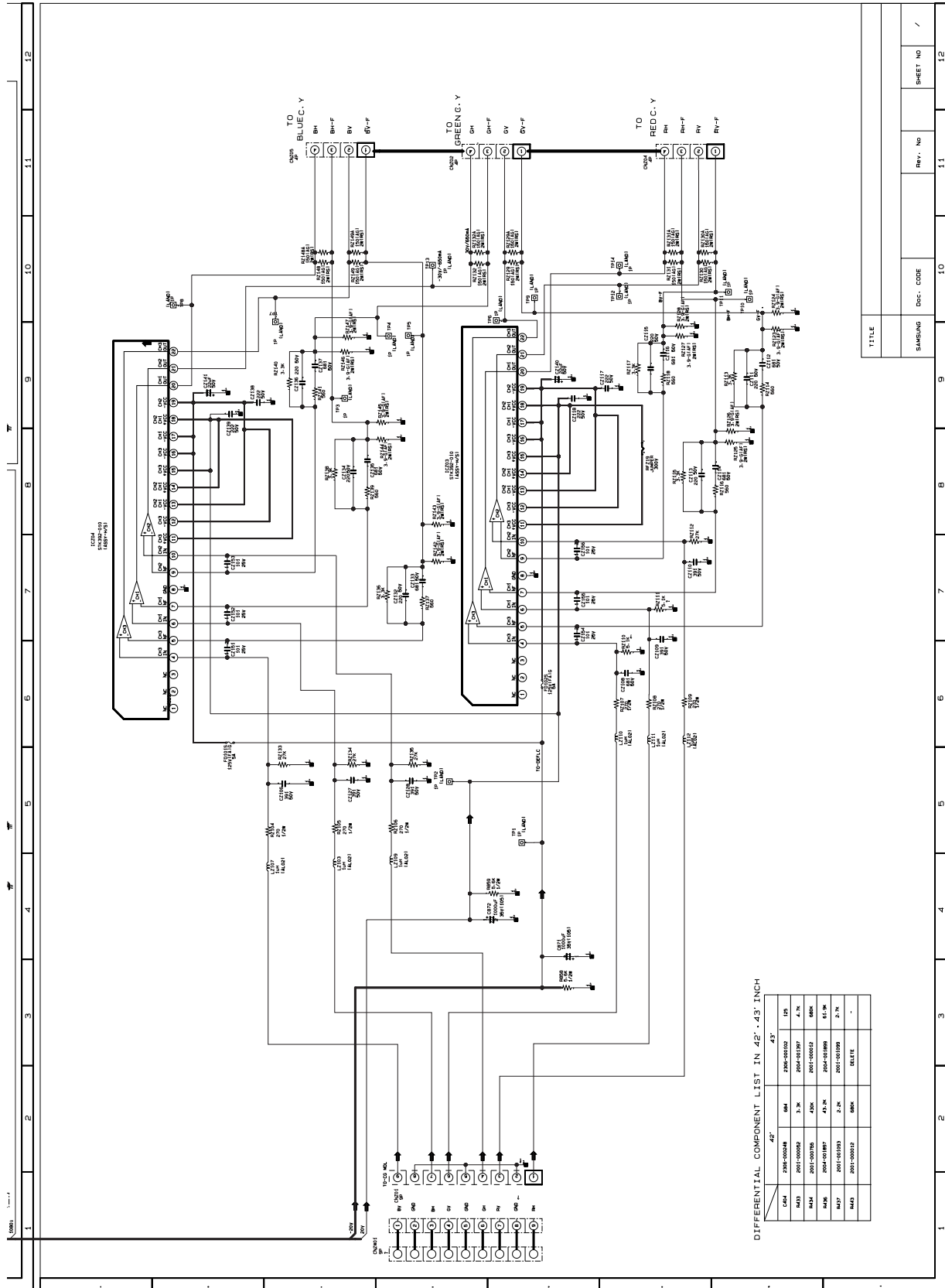


10-9 SUB 3



DIFFERENTIAL COMPONENT LIST IN 42" x 43" INCH

	42"	43"
C404	232K-00004H	232K-00010D
R403	2001-00002E	2004-00139T
R404	2002-00070E	42K
R406	2004-01887T	47.2K
R407	2001-01010	2.2K
R408	2002-00012D	2002-00109E
		2002-00012E

TITLE												
SAMSUNG	Doc. CODE	Rev. No										