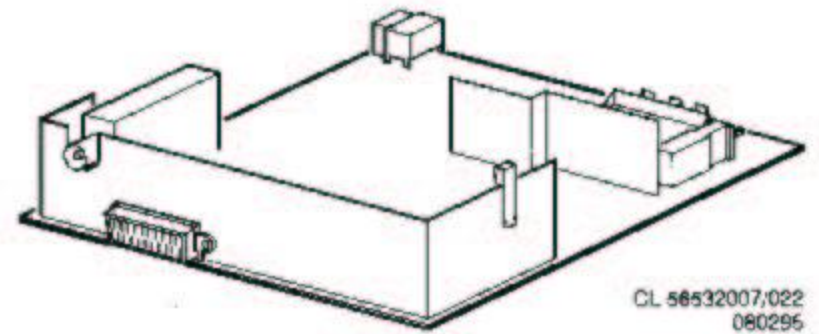


Service  
Service  
**Service**

**21PT136B**

**AA5**  
AB

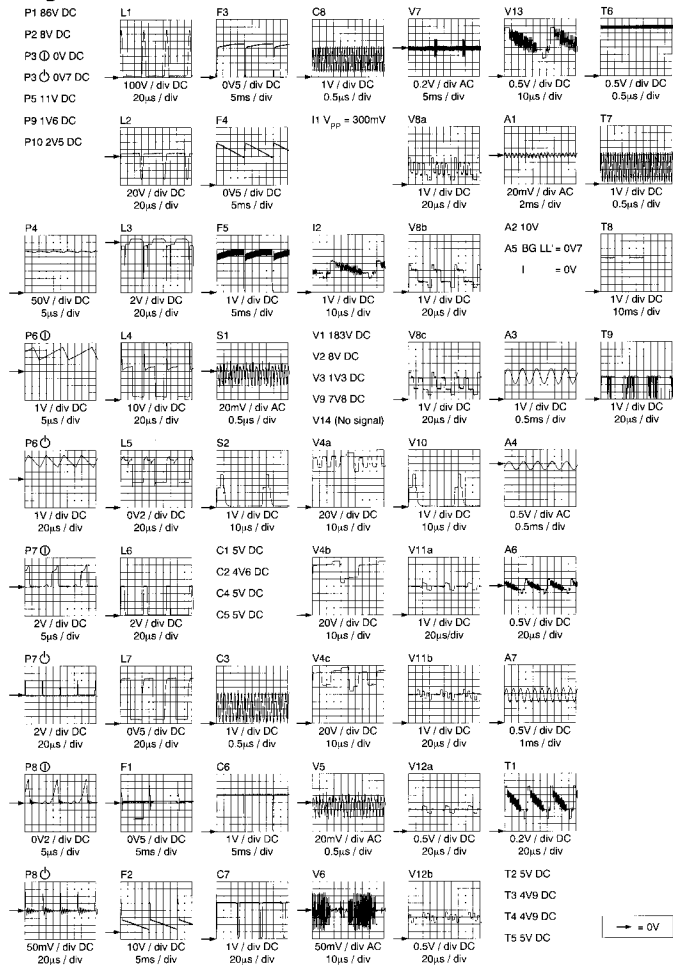


CL 56532007/022  
060296

# Service Manual

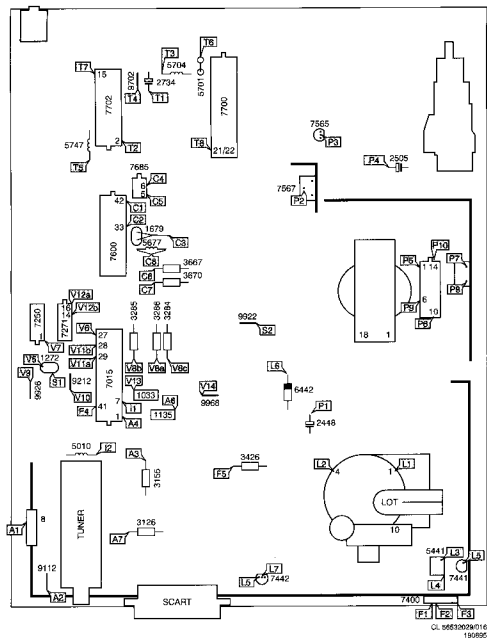
<b>Table of contents</b>		<b>Page</b>	
1.	Technical specifications	2	
2.	Connection facilities	2	
3.	Safety instructions, Maintenance instructions, Warnings and notes	3	
4.	Mechanical instructions	3	
5.	Overview oscillograms	4	
	Survey of testpoints	4	
	Block diagram	5	
6.	<i>Electrical diagrams and print lay-outs</i>	<i>Diagram</i>	<i>PWB</i>
	Power supply (Diagram A1+A2)	7	6
	Deflection (Diagram A3)	8	6
	Synchronisation (Diagram A4)	9	6
	Controls (Diagram A5)	10	6
	Tuner+IF+connections (Diagram A6)	11	6
	Video+sound (Diagram A7)	12	6
	Teletext (Diagram A9)	13	6
	SVHS connection (Diagram A8)	13	6
	14-15-17-21" mini neck CRT panel (Diagram B1)	14	15
	20" narrow neck CRT panel (Diagram B2)	14	15
7.	Electrical adjustments	15	
8.	<i>Repair facilities</i>		
	Description power supply	16	
	Test points, Service Default Mode, Service Menu, Error codes	18	
	Block diagram supply voltages	19	
	Fault finding tree	19	
9.	Directions for use	20	
10.	List of abbreviations	22	
11.	Spare parts list	23	

# 5. Overview oscillograms / Übersicht Oszillogramme / Vue d'ensemble des oscillogrammes

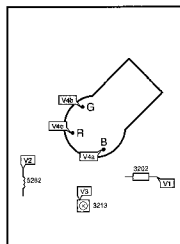


# Survey of testpoints / Übersicht über die Teststellen / Presentation des points à tester

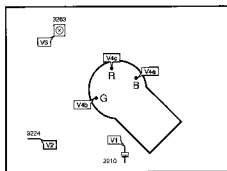
## Main carrier (Component side)



Mini neck CRT panel (Back view)

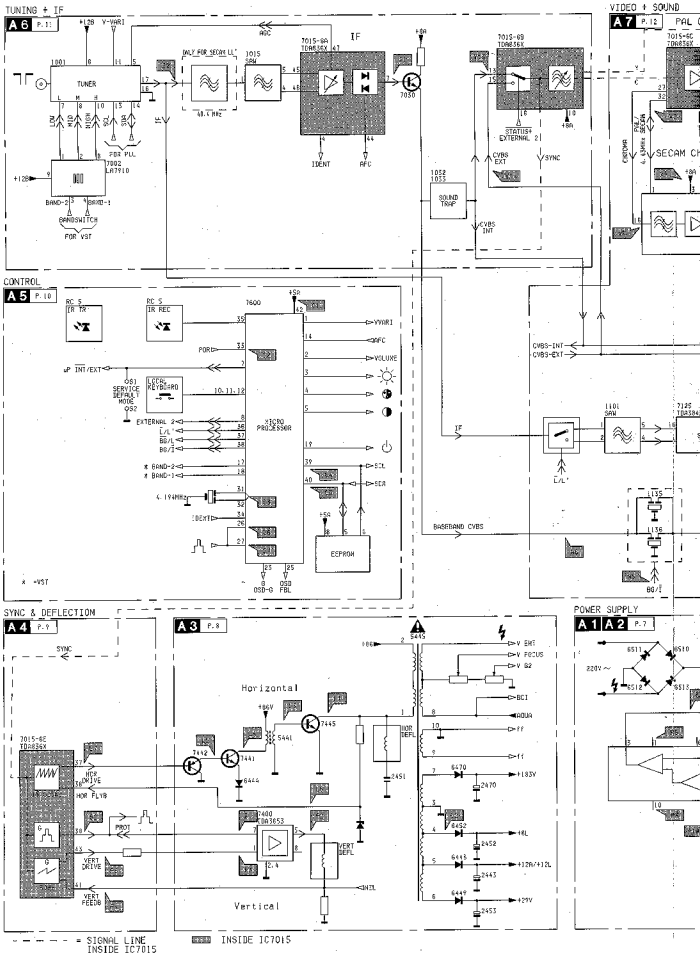


Narrow neck CRT panel (Back view)



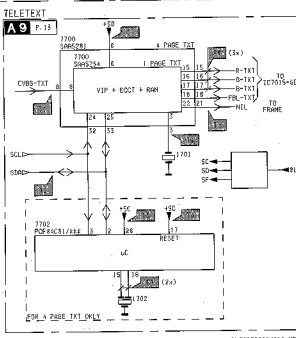
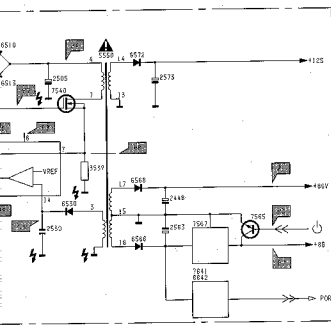
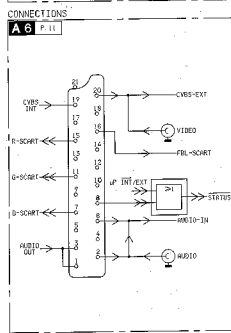
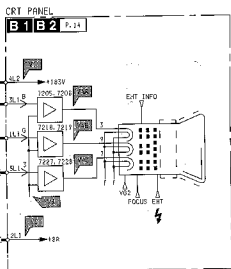
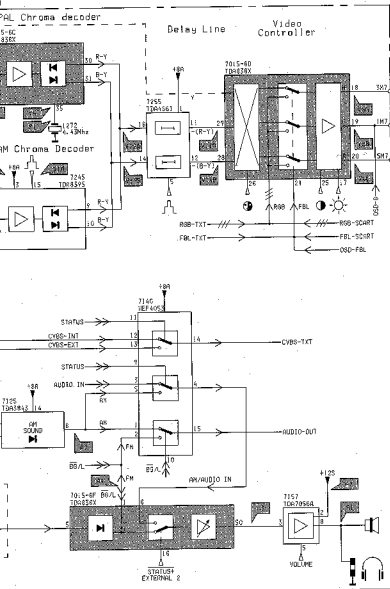
CL 5653007/018  
090296

CL 5653020/017  
010796



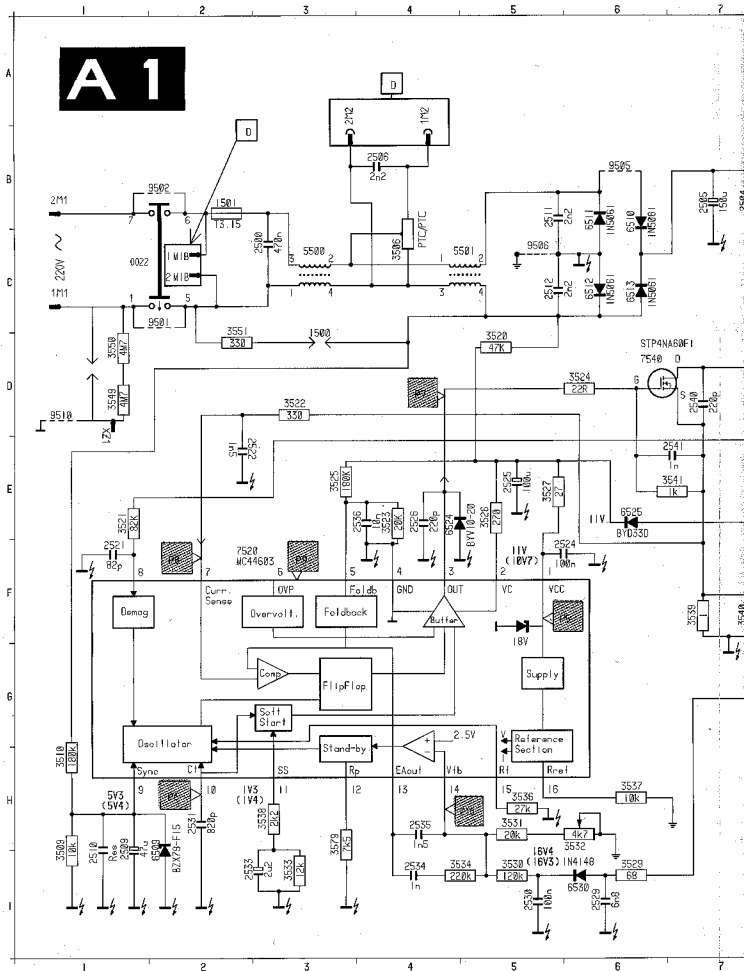
SIGNAL LINE INSIDE IC7015

INSIDE IC7015

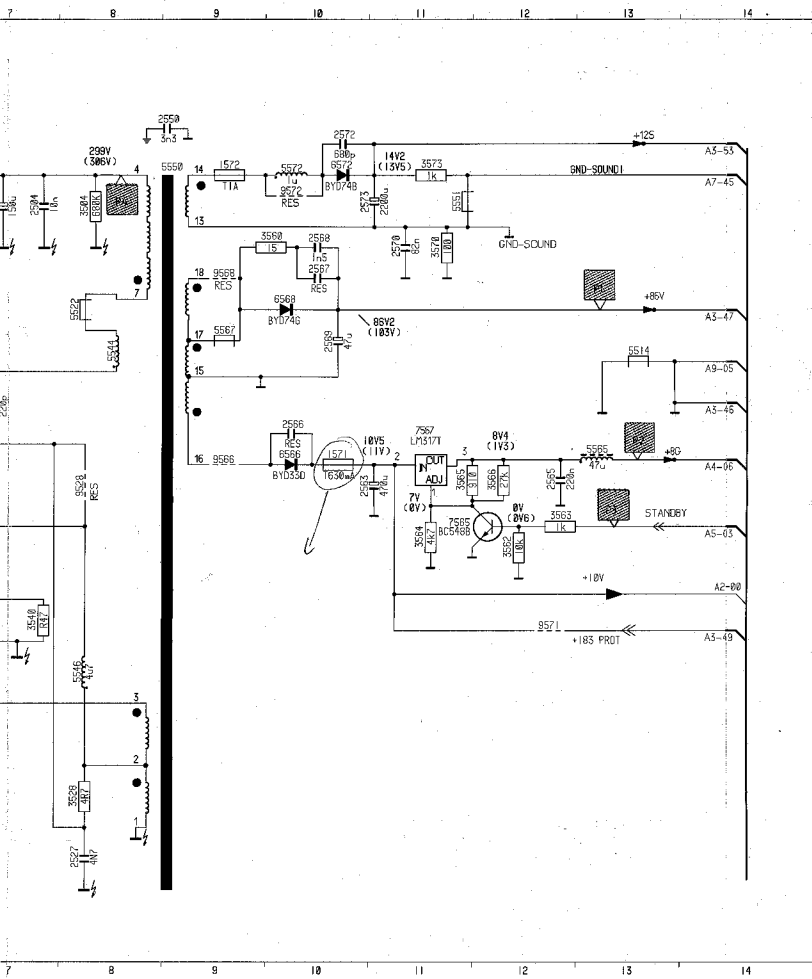


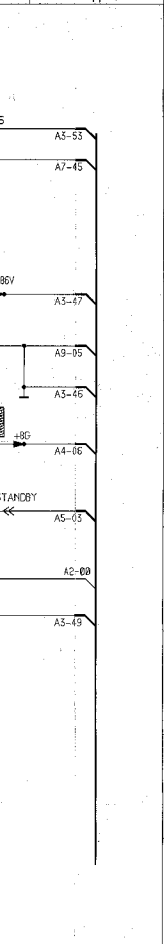
CLS552029/018. XPMR  
195695

**A1**

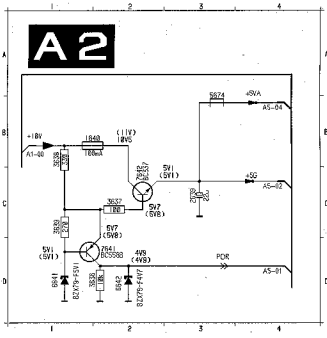


# Power supply / Speisung / Alimentation

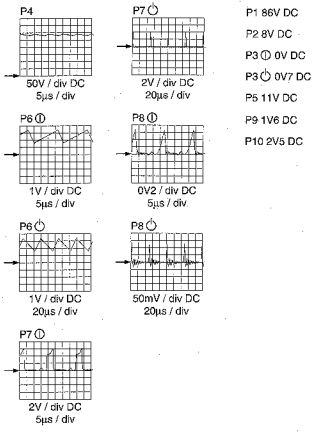




0022  
1500  
1501  
1571  
1572  
2506  
2507  
2508  
2509  
2510  
2511  
2512  
2521  
2522  
2523  
2524  
2525  
2526  
2527  
2528  
2529  
2530  
2531  
2532  
2533  
2534  
2535  
2536  
2537  
2538  
2539  
2540  
2541  
2542  
2543  
2544  
2545  
2546  
2547  
2548  
2549  
2550  
2551  
2552  
2553  
2554  
2555  
2556  
2557  
2558  
2559  
2560  
2561  
2562  
2563  
2564  
2565  
2566  
2567  
2568  
2569  
2570  
2571  
2572  
2573  
2574  
2575  
2576  
2577  
2578  
2579  
2580  
2581  
2582  
2583  
2584  
2585  
2586  
2587  
2588  
2589  
2590  
2591  
2592  
2593  
2594  
2595  
2596  
2597  
2598  
2599  
3500  
3501  
3502  
3503  
3504  
3505  
3506  
3507  
3508  
3509  
3510  
3511  
3512  
3513  
3514  
3515  
3516  
3517  
3518  
3519  
3520  
3521  
3522  
3523  
3524  
3525  
3526  
3527  
3528  
3529  
3530  
3531  
3532  
3533  
3534  
3535  
3536  
3537  
3538  
3539  
3540  
3541  
3542  
3543  
3544  
3545  
3546  
3547  
3548  
3549  
3550  
3551  
3552  
3553  
3554  
3555  
3556  
3557  
3558  
3559  
3560  
3561  
3562  
3563  
3564  
3565  
3566  
3567  
3568  
3569  
3570  
3571  
3572  
3573  
3574  
3575  
3576  
3577  
3578  
3579  
3580  
3581  
3582  
3583  
3584  
3585  
3586  
3587  
3588  
3589  
3590  
3591  
3592  
3593  
3594  
3595  
3596  
3597  
3598  
3599  
3600



1648  
1649  
1650  
1651  
1652  
1653  
1654  
1655  
1656  
1657  
1658  
1659  
1660  
1661  
1662  
1663  
1664  
1665  
1666  
1667  
1668  
1669  
1670  
1671  
1672  
1673  
1674  
1675  
1676  
1677  
1678  
1679  
1680

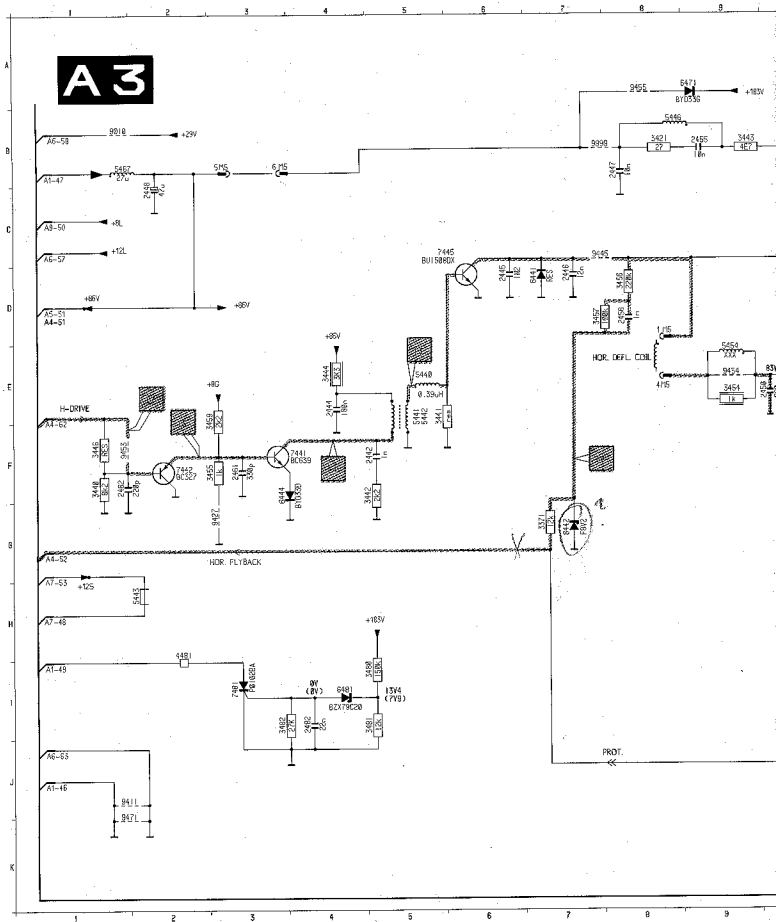




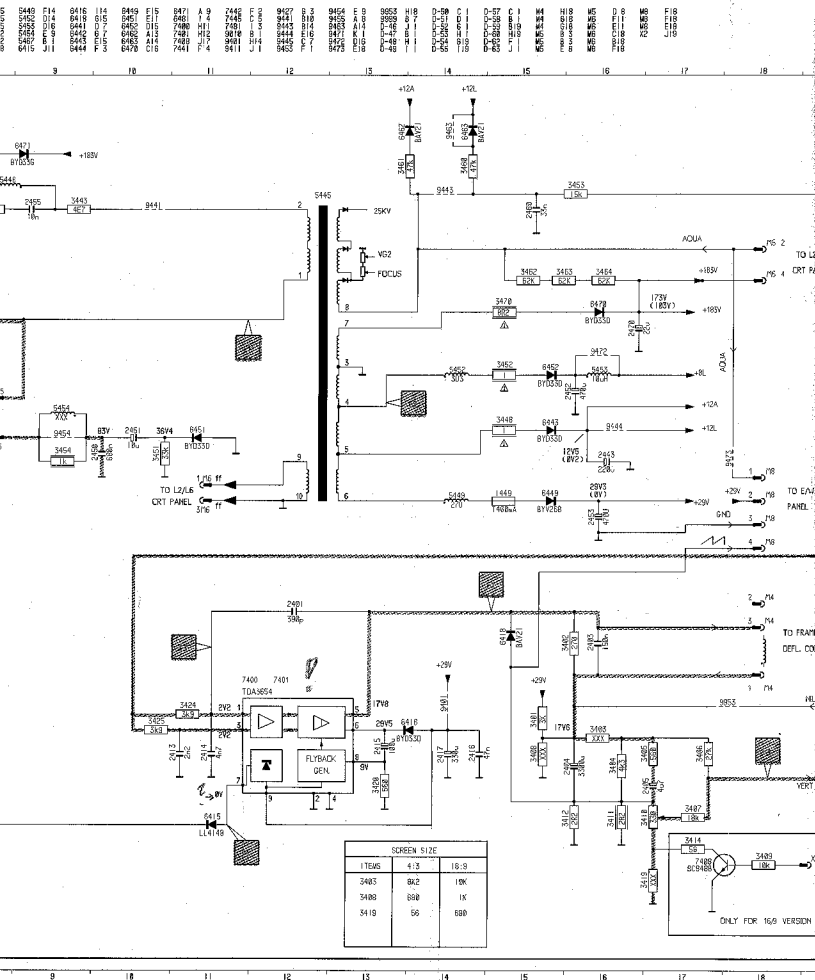
# Deflection / Ablenkung / Déflexion

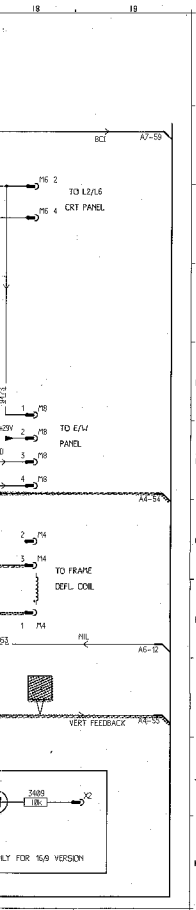
# Deflect

1449	F15	2414	111	2444	2451	2420	2421	2422	2423	2424	2425	2426	2427	2428	2429	2430	2431	2432	2433	2434	2435	2436	2437	2438	2439	2440	2441	2442	2443	2444	2445	2446	2447	2448	2449	2450	2451	2452	2453	2454	2455	2456	2457	2458	2459	2460	2461	2462	2463	2464	2465	2466	2467	2468	2469	2470	2471	2472	2473	2474	2475	2476	2477	2478	2479	2480	2481	2482	2483	2484	2485	2486	2487	2488	2489	2490	2491	2492	2493	2494	2495	2496	2497	2498	2499	2500
------	-----	------	-----	------	------	------	------	------	------	------	------	------	------	------	------	------	------	------	------	------	------	------	------	------	------	------	------	------	------	------	------	------	------	------	------	------	------	------	------	------	------	------	------	------	------	------	------	------	------	------	------	------	------	------	------	------	------	------	------	------	------	------	------	------	------	------	------	------	------	------	------	------	------	------	------	------	------	------	------	------	------	------	------	------	------	------



# Deflection / Ablenkung / Déflexion





A

B

C

D

E

F

G

H

I

J

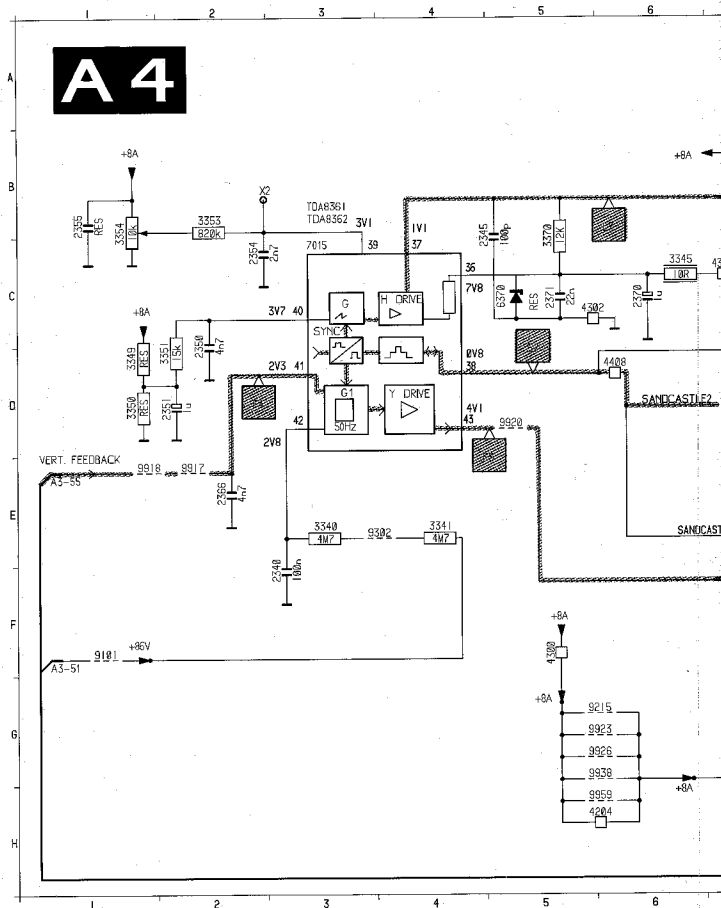
K

# Synchronization / Synchronisierung /

AA5

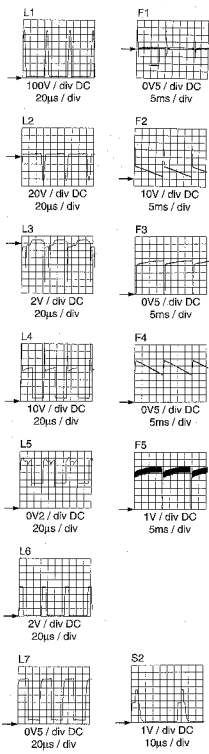
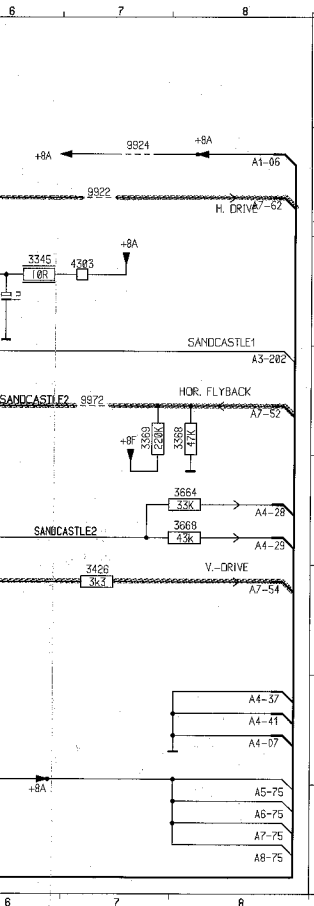
9

2340	F	2355	B	3341	E	3353	B	3426	7	4502	C	9101	F	9920	D	9938	G	A6-75	H
2345	F	2366	B	3345	F	3354	B	3664	8	4305	C	9215	F	9923	D	9950	H	A7-75	H
2350	F	2370	B	3346	F	3358	B	3668	8	4408	C	9302	F	9924	D	9972	D	A8-75	H
2354	F	2371	B	3349	D	3369	B	4204	8	6370	C	9917	F	9926	D	A3-202	D	B-06	H
		2374	B	3351	D	3370	B	4300	8	7015	C	9918	F	9926	D	A5-75	H	B-28	H



# 9 Synchronisation

A6-75	H	B-29	F	B-52	D
A7-75	H	B-37	G	B-54	B
A8-75	H	B-41	I	B-55	B
B-06	B	B-41	I	52	B
B-28	B	B-51	I	X2	B



C1 5V DC

C2 4V6 DC

C4 5V DC

C5 5V DC

C3



-1V / div DC  
0.5µs / div

C6



1V / div DC  
5ms / div

C7



1V / div DC  
20µs / div

C8



1V / div DC  
0.5µs / div

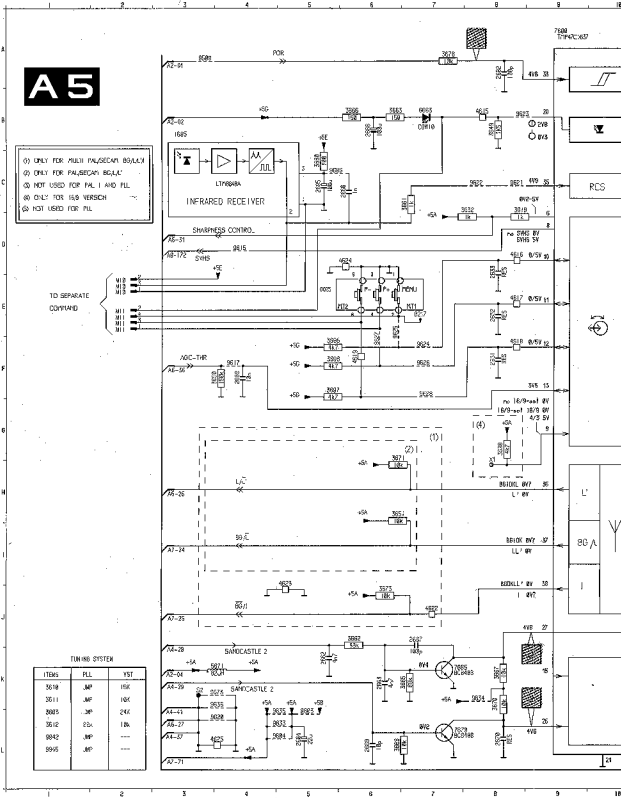
**A5**

- ① ONLY FOR PALC PULSECAN SIGNAL
- ② ONLY FOR PULSECAN SIGNAL
- ③ NOT USED FOR PAL I AND PLL
- ④ ONLY FOR I&B VERSION
- ⑤ NOT USED FOR PLL

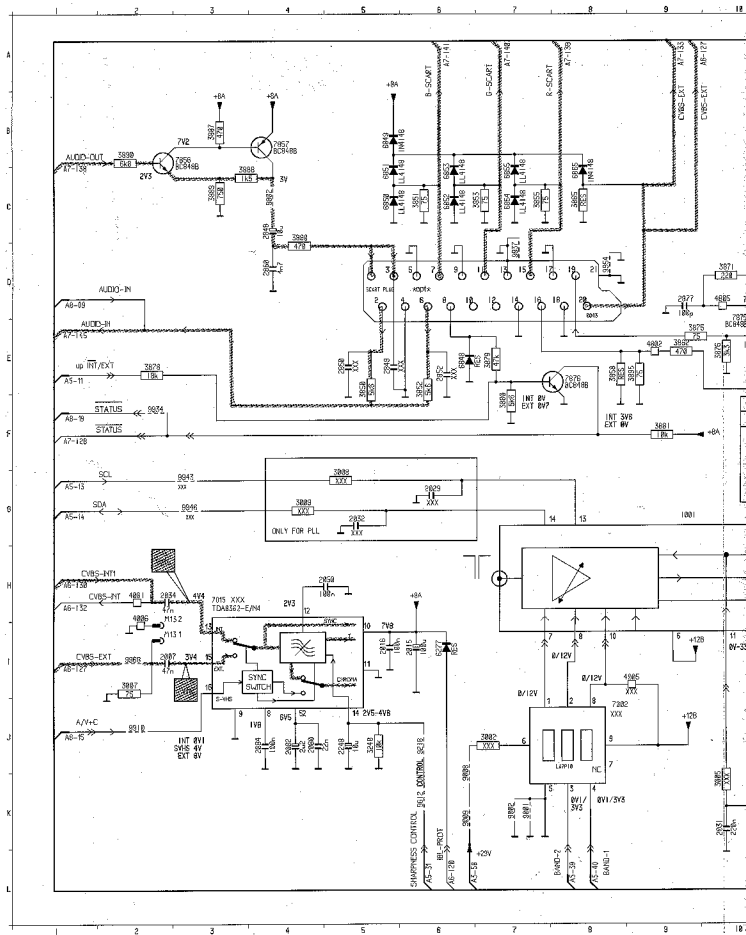
TO SEPARATE  
COPYWAVE

TUNING SYSTEM

ITEMS	PLL	VST
3519	AMP	10K
3511	AMP	10K
3085	AMP	24K
3542	22K	10K
9942	AMP	---
9995	AMP	---





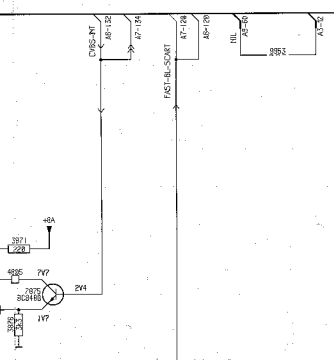




# Kanalwähler + ZF + Verbindungen

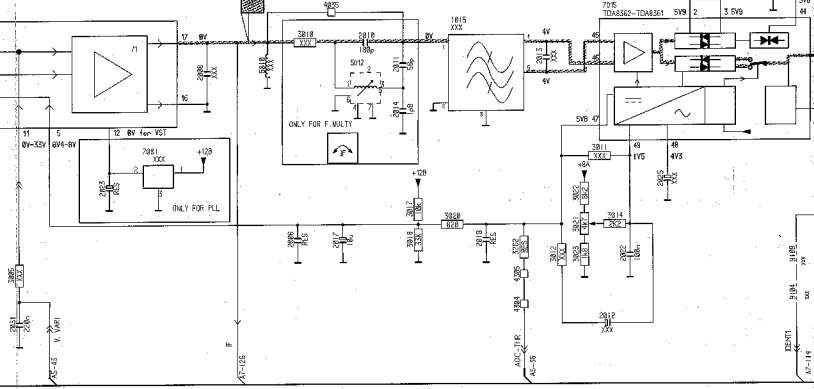
# Tuner

10 11 12 13 14 15 16 17 18 19 20



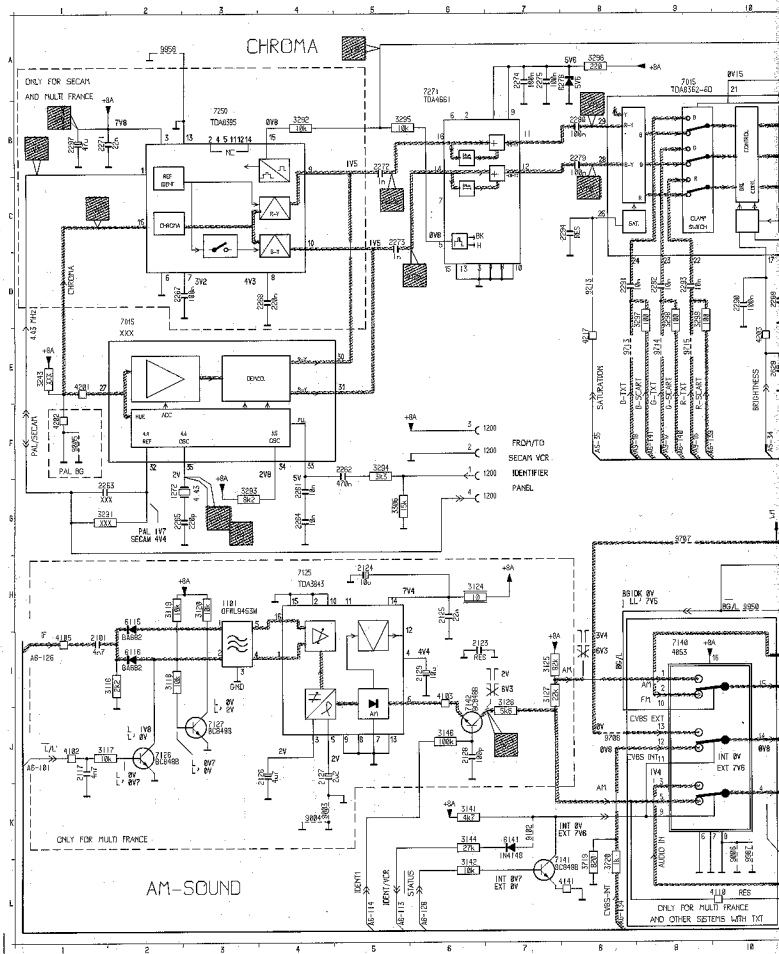
ITEMS	F. MULTY	PAL BG	PAL I	PAL / S	PAL SS-DK
1815	DFW1585	DFW1581	DFW1582	DFW2555	DFW2555
1832	5.5MHz	5.5MHz	---	5.5MHz	5.5MHz
1833	6.5MHz	---	6.5MHz	---	---
2812	33u	---	---	---	---
2813	3p9	---	---	---	---
2825	4u7	2u2	2u2	2u2	2u2
2841	4n7	---	---	---	---
2843	5n7	---	---	---	---
2844	4n7	---	---	---	---
2845	10p	12p	12p	12p	12p
3811	158K	---	---	---	---
3812	3K3	---	---	---	---
3832	120	150	150	150	150
3843	18K	---	---	---	---
3844	18K	---	---	---	---
3849	88K	---	---	---	---
3872	1K	---	---	---	---
4835	---	JMP	JMP	JMP	JMP
5010	0.33u	0.55u	0.55u	0.55u	0.55u
5040	33.9MHz	39.9MHz	39.9MHz	39.9MHz	39.9MHz
5043	78.0MHz	---	---	---	---
6042	BA82	---	---	---	---
7015	TD48362	TD48361	TD48361	TD48362	TD48361
7672	8C848D	---	---	---	---
9007	JWP	---	---	---	---
9104	JWP	---	---	---	---
9109	JWP	---	---	---	---
9087	JWP	---	---	---	---
9027	JWP	---	---	---	---

TUNER					
ITEM	UV15	UV5	UV	U	PLL
1001	UV915	UV917	UV913	U943	UV916
3002	2K7	2K7	2K7	---	---
3005	1K	1K	1K	JMP	JMP
4005	---	---	---	JMP	JMP
7002	LA7918	LA7918	LA7918	---	---

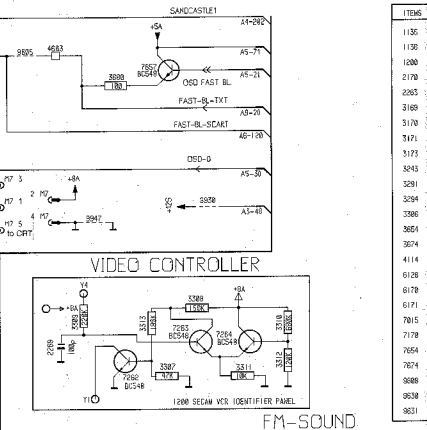
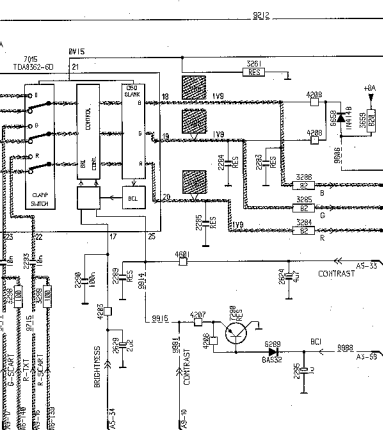


10 11 12 13 14 15 16 17 18 19 20

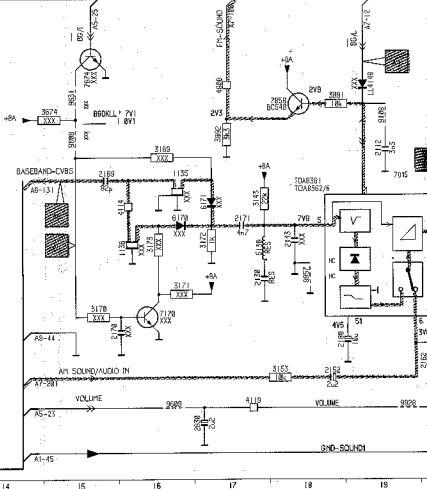
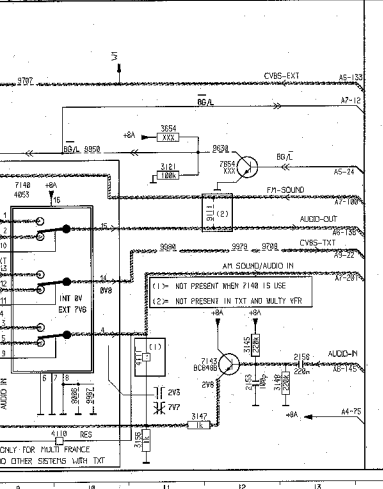




9 10 11 12 13 14 15 16 17 18 19



ITEMS
1135
1135
1200
2263
3169
3170
3171
3173
3243
3291
3294
3386
3651
3674
4114
6128
6170
6171
7015
7170
7654
7674
9686
9636
9633

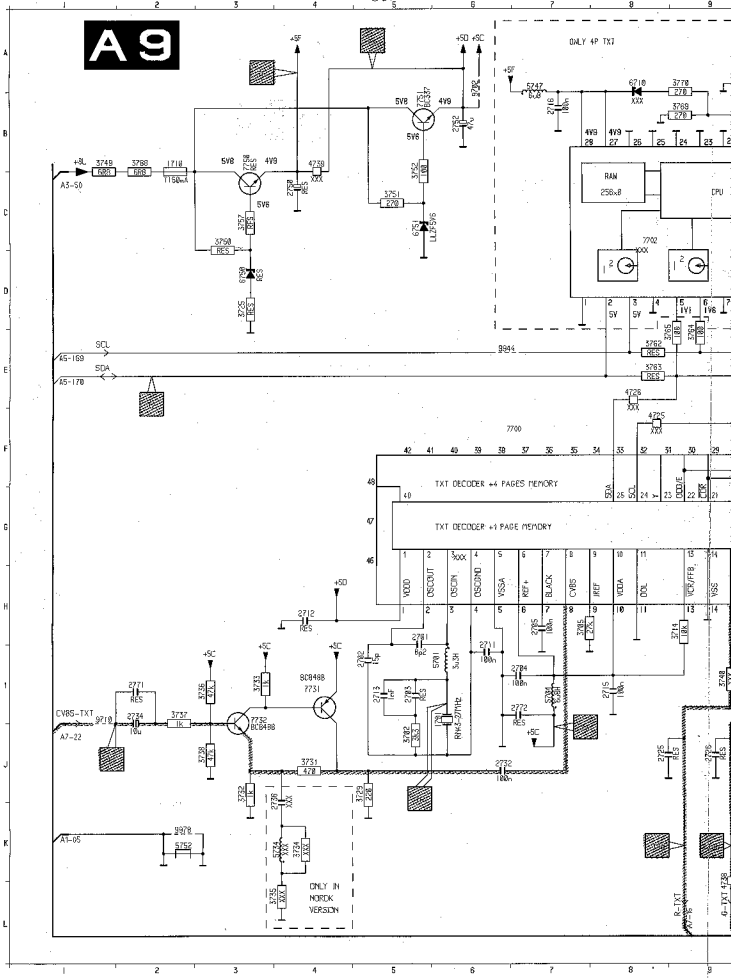


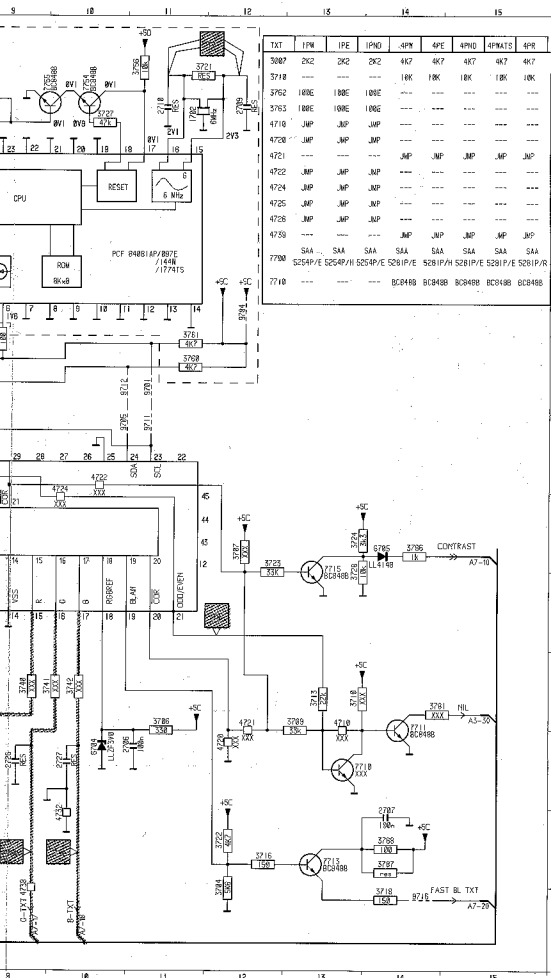
9 10 11 12 13 14 15 16 17 18 19

ONLY FOR MULTI FRANCE  
AND OTHER SISTENS WITH TXT



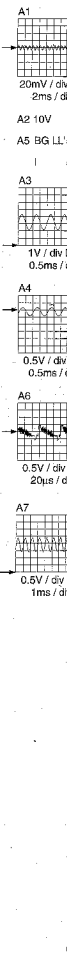
**A9**

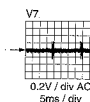
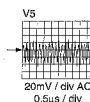
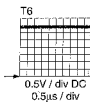
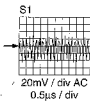
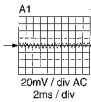




TXT	1PW	1PE	1PD	4PW	4PE	4PD	4PRATS	4PR
3007	2K2	2K2	2K2	4K7	4K7	4K7	4K7	4K7
3718	---	---	---	18K	18K	18K	18K	18K
3762	180E	180E	180E	---	---	---	---	---
3763	180E	180E	180E	---	---	---	---	---
4710	JMP	JMP	JMP	---	---	---	---	---
4720	JMP	JMP	JMP	---	---	---	---	---
4721	---	---	---	JMP	JMP	JMP	JMP	JMP
4722	JMP	JMP	JMP	---	---	---	---	---
4724	JMP	JMP	JMP	---	---	---	---	---
4725	JMP	JMP	JMP	---	---	---	---	---
4726	JMP	JMP	JMP	---	---	---	---	---
4739	---	---	---	JMP	JMP	JMP	JMP	JMP
7790	SAA	SAA	SAA	SAA	SAA	SAA	SAA	SAA
	S24P/E	S24P/H	S24P/E	S28P/H	S28P/E	S28P/E	S28P/E	S28P/R
7710	---	---	---	BC848	BC848	BC848	BC848	BC848

1700  
1705  
1710  
1715  
1720  
1725  
1730  
1735  
1740  
1745  
1750  
1755  
1760  
1765  
1770  
1775  
1780  
1785  
1790  
1795  
1800  
1805  
1810  
1815  
1820  
1825  
1830  
1835  
1840  
1845  
1850  
1855  
1860  
1865  
1870  
1875  
1880  
1885  
1890  
1895  
1900  
1905  
1910  
1915  
1920  
1925  
1930  
1935  
1940  
1945  
1950  
1955  
1960  
1965  
1970  
1975  
1980  
1985  
1990  
1995  
2000

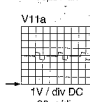
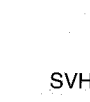
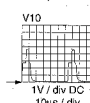
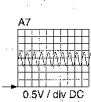
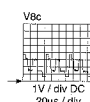
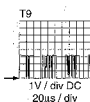
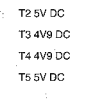
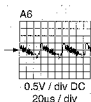
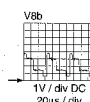
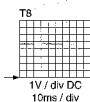
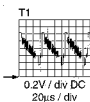
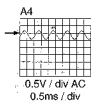
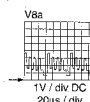
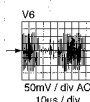
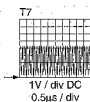
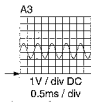




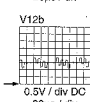
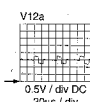
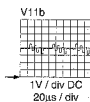
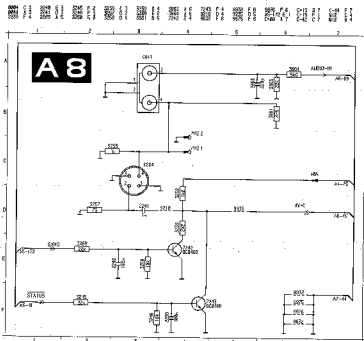
A2 10V

A5 BG LL' = 0V7

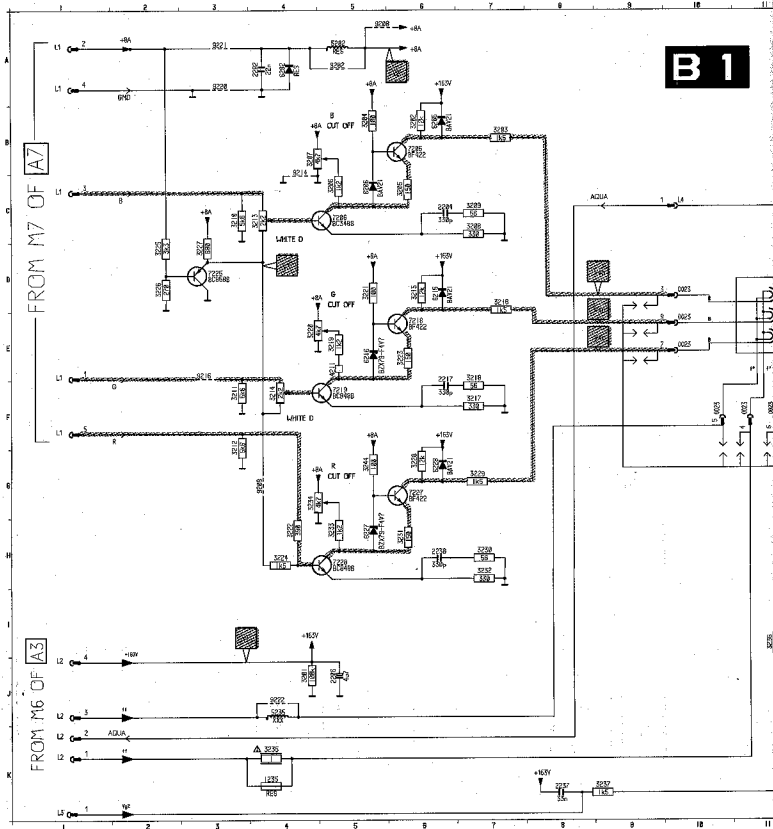
I = 0V

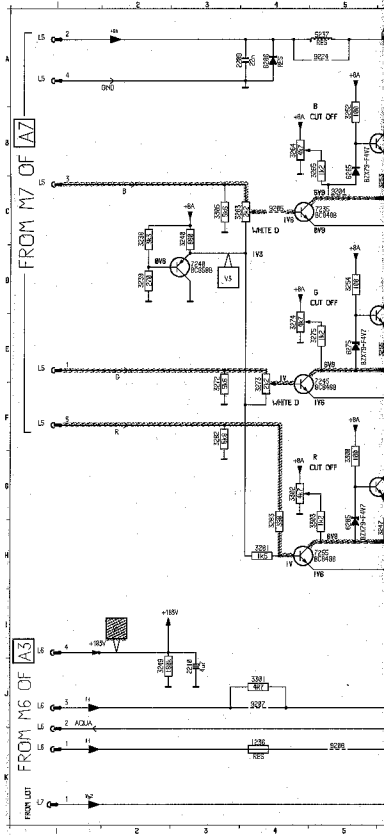
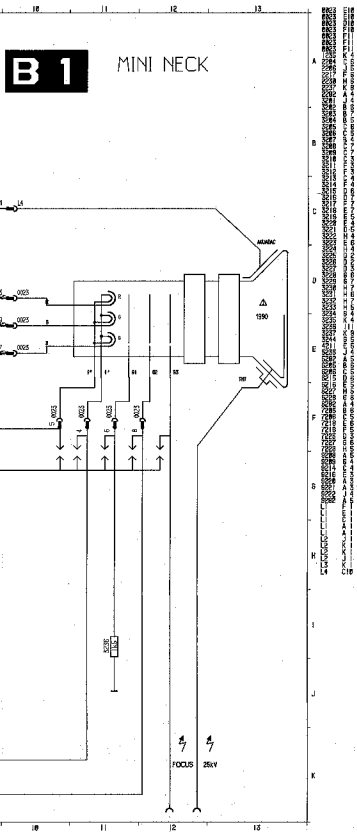


## SVHS connections

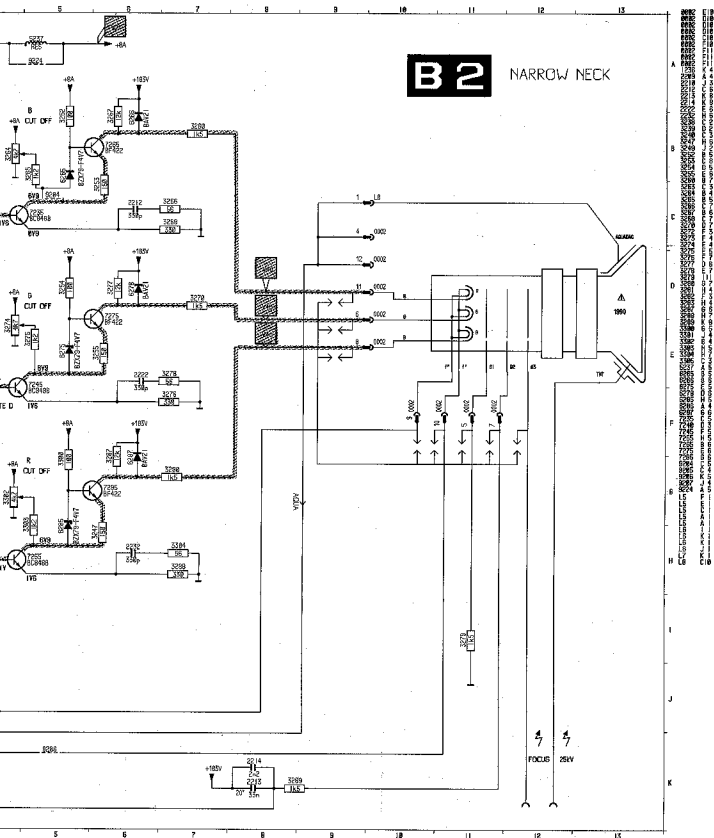








# 20-21" Narrow neck CRT panel / Bildröhren Platte / Platine TRC

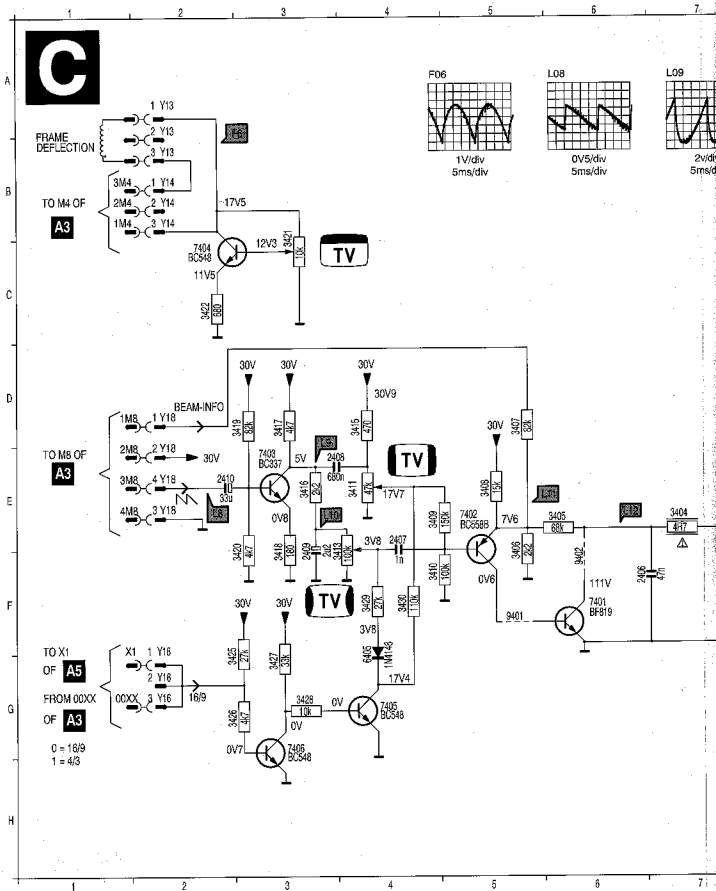


# 110° EW correction panel /

AA5 95.01

6

2401 E 0	2405 E 9	2409 E 4	3403 F 0	3407 D 6	3411 F 4	3417 D 3	3421 F 3	3425 F 3	3429 F 4	6401
2402 E 10	2406 E 7	2410 E 3	3404 E 7	3408	3413	3418 F 3	3422	3426 G 3	3430 F 4	6402
2403 E 8	2407 4	3401 E 12	3405 E 6	3409	3415 M 4	3420 E 3	3423	3427 G 3	3431 F 4	6403
2404	2408 4	3402 E 10	3406 E 6	3410	3416 M 3		3424	3428 G 3	3432 F 9	6404

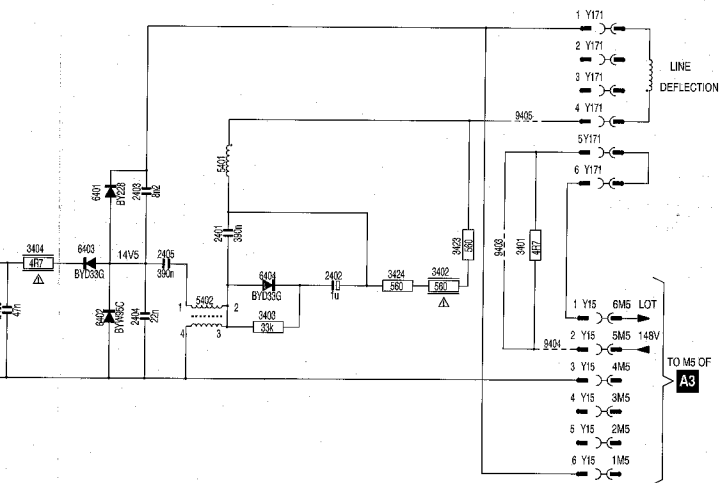


## 110°-OW-Korrektur-Platine / Platine de correction E/O 110°

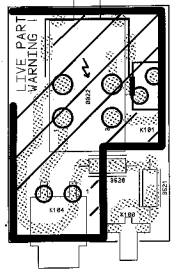
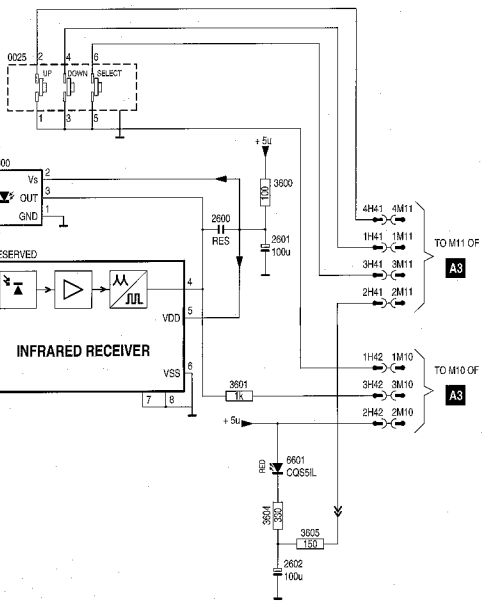
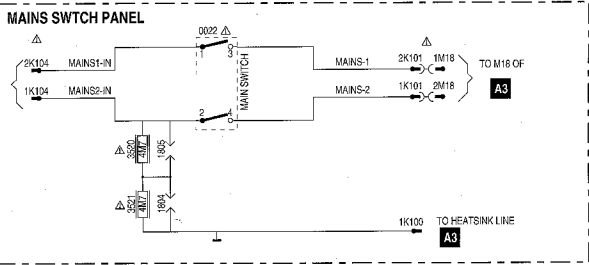
F 4	6401	F 6	6405	F 4	7404	B 3	9402	F 6	Y13	A 2	Y14	B 2	Y15	F12	Y16	F12	Y18	F12	Y18	F12	Y171	D12
F 4	6402	F 6	7401	F 6	7405	B 3	9403	F 11	Y13	A 2	Y14	B 2	Y15	F12	Y16	F12	Y18	F12	Y18	F12	Y171	D12
D 1	6403	F 6	7402	F 6	7406	B 3	9404	F 12	Y13	A 2	Y15	G12	Y15	G12	Y18	F12	Y18	F12	Y18	F12	Y171	D12
D 2	6404	F 6	7403	F 6	9401	F 6	9405	D12	Y14	B 2	Y15	G12	Y15	F12	Y18	F12	Y18	F12	Y18	F12	Y171	C12



C

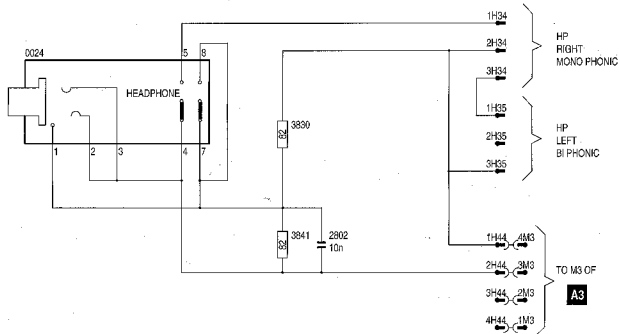


**D**



# Gesonderte Steuerplatine / Platine de commande distincte

8 9 10 11 12 13 14



- 0022 A4
- 0024 A8
- 0025 D1
- 1800 E1
- 2500 F8
- 2621 F3
- 2622 I3
- 2623 C12
- 3520 B9
- 3521 B3
- 3600 E9
- 3601 G3
- 3604 I3
- 3606 I4
- 3830 B81
- 3841 C11
- 6002 H3
- H34 A13
- H34 A13
- H34 A13
- H35 B10
- H35 B10
- H35 B13
- H41 F5
- H41 F5
- H41 F5
- H42 G5
- H42 G5
- H42 G5
- H42 H5
- H44 C13
- H44 C13
- H44 C13
- H44 D13
- K100 C8
- K101 A8
- K101 A6
- K104 A2
- K104 A2

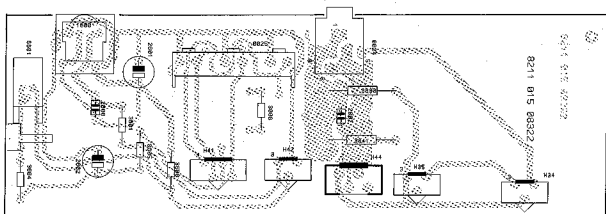
D

E

F

G

H



**CHASSIS AA 5**

SCHEMA DEFS  
101008

8 9 10 11 12 13 14