

HCD-GRX3/RX55/R300

SERVICE MANUAL

US Model
Canadian Model
 HCD-RX55
E Model
 HCD-GRX3/R300
Australian Model
 HCD-GRX3



photo : HCD-GRX3

HCD-GRX3/RX55/R300 is the tuner, deck, CD and amplifier section in MHC-GRX3/RX55/R300.

CD SECTION	Model Name Using Similar Mechanism	HCD-G101
	CD Mechanism Type	CX3
	Base Unit Type	KSM-213BCM
	Optical Pick-up Type	KSS-213B/S-N
TAPE DECK SECTION	Model Name Using Similar Mechanism	NEW
	Tape Transport Mechanism Type	CWB44RR10

SPECIFICATIONS

AUDIO POWER SPECIFICATIONS:

(U.S.A. model only)

POWER OUTPUT AND TOTAL HARMONIC DISTORTION:
 with 6 Ω loads both channels driven, from 70 – 20,000 Hz; rated 35 W per channel minimum RMS power, with no more than 0.9% total harmonic distortion from 250 mW to rated output.

Amplifier section

North American model

Continuous RMS power output
 50 W + 50 W (6 Ω at 1 kHz, 10% THD)

Other models

The following measured at AC 110, 220 V 60 Hz;
 DIN power output (Rated) 35 W + 35 W (6 Ω at 1 kHz, DIN)
 Continuous RMS power output (Reference)
 45 W + 45 W (6 Ω at 1 kHz, 10% THD)

The following measured at AC 120, 240 V 60 Hz;
 DIN power output (Rated) 40 W + 40 W (6 Ω at 1 kHz, DIN)
 Continuous RMS power output (Reference)
 50 W + 50 W (6 Ω at 1 kHz, 10% THD)
 Peak music power output (Reference)
 600 W

Inputs

MD IN (phone jacks) : voltage 450 mV, impedance 47 kΩ

Outputs

MD OUT (phone jacks) : voltage 250 mV, impedance 1 kΩ
 PHONES (stereo phone jack) :

accepts headphones of 8 Ω or more
 accepts impedance of 6 to 16 Ω

CD player section

System	Compact disc and digital audio system
Laser	Semiconductor laser ($\lambda = 780 \text{ nm}$)
	Emission duration: continuous
Laser output	Max. 44.6 μW^*
	*This output is the value measured at a distance of 200 mm from the objective lens surface on the Optical Pick-up Block with 7 mm aperture.
Frequency response	20 Hz – 20 kHz ($\pm 0.5 \text{ dB}$)
Wavelength	780 – 790 nm
DIGITAL OUT (OPTICAL)	(Square optical connector jack, rear panel)
Wavelength	600 nm
Output Level	-18 dBm

Tape deck section

Recording system 4-track 2-channel stereo
 Frequency response 40 – 13,000 Hz ($\pm 3\text{dB}$), using Sony TYPE I cassette

Tuner section

FM stereo, FM/AM superheterodyne tuner

FM tuner section

Tuning range 87.5 – 108.0 MHz
 Antenna FM lead antenna

— Continued on next page —

MINI Hi-Fi COMPONENT SYSTEM



SONY®

SERVICING NOTE

Antenna terminals 75 Ω unbalanced
Intermediate frequency 10.7MHz

AM tuner section

Tuning range 531 – 1,602 kHz (with AM tuning interval set at 9 kHz)
530 – 1,710 kHz (with AM tuning interval set at 10 kHz)

Antenna AM loop antenna
Antenna terminals External antenna terminal
Intermediate frequency 450 kHz

General

Power requirements

North American model: 120 V AC, 60 Hz
Mexican model: 120 V AC, 50/60 Hz
Australian and South African models:

220 – 240 V AC, 50/60 Hz
Other models: 110 – 120 V or 220 – 240 V AC,
50/60 Hz (adjustable with voltage selector)

Power consumption 100 W

Dimensions (w/h/d) incl. projecting parts and controls
Approx. 280 × 320 × 400 mm
(11 ¹/₈ × 12 ⁵/₈ × 15 ³/₄ in)

Mass Approx. 9.5 kg (20 lb 15 oz.)

Supplied accessories: AM loop antenna (1)
Remote (1)
RM-SG7 (for HCD-GRX3/RX55)
RM-SG7B (for HCD-R300)
FM lead antenna (1)

Design and specifications are subject to change without notice.

NOTES ON HANDLING THE OPTICAL PICK-UP BLOCK OR BASE UNIT

The laser diode in the optical pick-up block may suffer electrostatic break-down because of the potential difference generated by the charged electrostatic load, etc. on clothing and the human body. During repair, pay attention to electrostatic break-down and also use the procedure in the printed matter which is included in the repair parts. The flexible board is easily damaged and should be handled with care.

NOTES ON LASER DIODE EMISSION CHECK

The laser beam on this model is concentrated so as to be focused on the disc reflective surface by the objective lens in the optical pick-up block. Therefore, when checking the laser diode emission, observe from more than 30 cm away from the objective lens.

CAUTION

Use of controls or adjustments or performance of procedures other than those specified herein may result in hazardous radiation exposure.

Notes on chip component replacement

- Never reuse a disconnected chip component.
- Notice that the minus side of a tantalum capacitor may be damaged by heat.

Flexible Circuit Board Repairing

- Keep the temperature of soldering iron around 270°C during repairing.
- Do not touch the soldering iron on the same conductor of the circuit board (within 3 times).
- Be careful not to apply force on the conductor when soldering or unsoldering.

SAFETY-RELATED COMPONENT WARNING!!

COMPONENTS IDENTIFIED BY MARK \triangle OR DOTTED LINE WITH MARK \triangle ON THE SCHEMATIC DIAGRAMS AND IN THE PARTS LIST ARE CRITICAL TO SAFE OPERATION. REPLACE THESE COMPONENTS WITH SONY PARTS WHOSE PART NUMBERS APPEAR AS SHOWN IN THIS MANUAL OR IN SUPPLEMENTS PUBLISHED BY SONY.

Laser component in this product is capable of emitting radiation exceeding the limit for Class 1.

CLASS 1 LASER PRODUCT
LUOKAN 1 LASERLAITE
KLASS 1 LASERAPPARAT

This appliance is classified as a CLASS 1 LASER product. The CLASS 1 LASER PRODUCT MARKING is located on the rear exterior.

CAUTION	; INVISIBLE LASER RADIATION WHEN OPEN. AVOID EXPOSURE TO BEAM.
ADVARSEL	; USYNLIG LASERSTRÅLING VED ÅBNING NÅR SIKKERHEDSAFBRYDERE ER UDE AF FUNKTION. UNDGÅ UDSÆTTELSE FOR STRÅLING.
VARO!	; AVATTAESSA JA SUOJALUKITUS OHITETTAESSA DLET ALTIIN LASERSÄTELYLLE.
VARNING	; LASERSTRÅLING NÅR DENNA DEL ÄR ÖPPNAD OCH SPÄRREN ÄR URKOPPLAD.
ADVARSEL	; USYNLIG LASERSTRÅLING NÅR DEKSEL ÅPNES UNNGÅ EKSPONERING FOR STRÅLEN.

This caution label is located inside the unit.

ATTENTION AU COMPOSANT AYANT RAPPORT À LA SÉCURITÉ!

LES COMPOSANTS IDENTIFIÉS PAR UNE MARQUE \triangle SUR LES DIAGRAMMES SCHÉMATIQUES ET LA LISTE DES PIÈCES SONT CRITIQUES POUR LA SÉCURITÉ DE FONCTIONNEMENT. NE REMPLACER CES COMPOSANTS QUE PAR DES PIÈCES SONY DONT LES NUMÉROS SONT DONNÉS DANS CE MANUEL OU DANS LES SUPPLÉMENTS PUBLIÉS PAR SONY.

TABLE OF CONTENTS

SAFETY CHECK-OUT

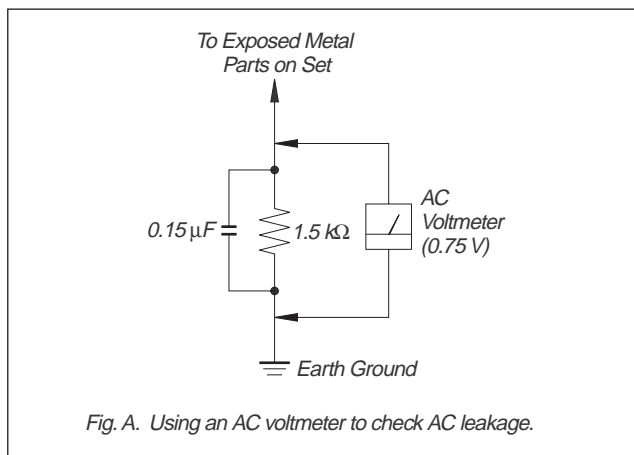
After correcting the original service problem, perform the following safety checks before releasing the set to the customer:

Check the antenna terminals, metal trim, “metallized” knobs, screws, and all other exposed metal parts for AC leakage. Check leakage as described below.

LEAKAGE

The AC leakage from any exposed metal part to earth Ground and from all exposed metal parts to any exposed metal part having a return to chassis, must not exceed 0.5 mA (500 microamperes). Leakage current can be measured by any one of three methods.

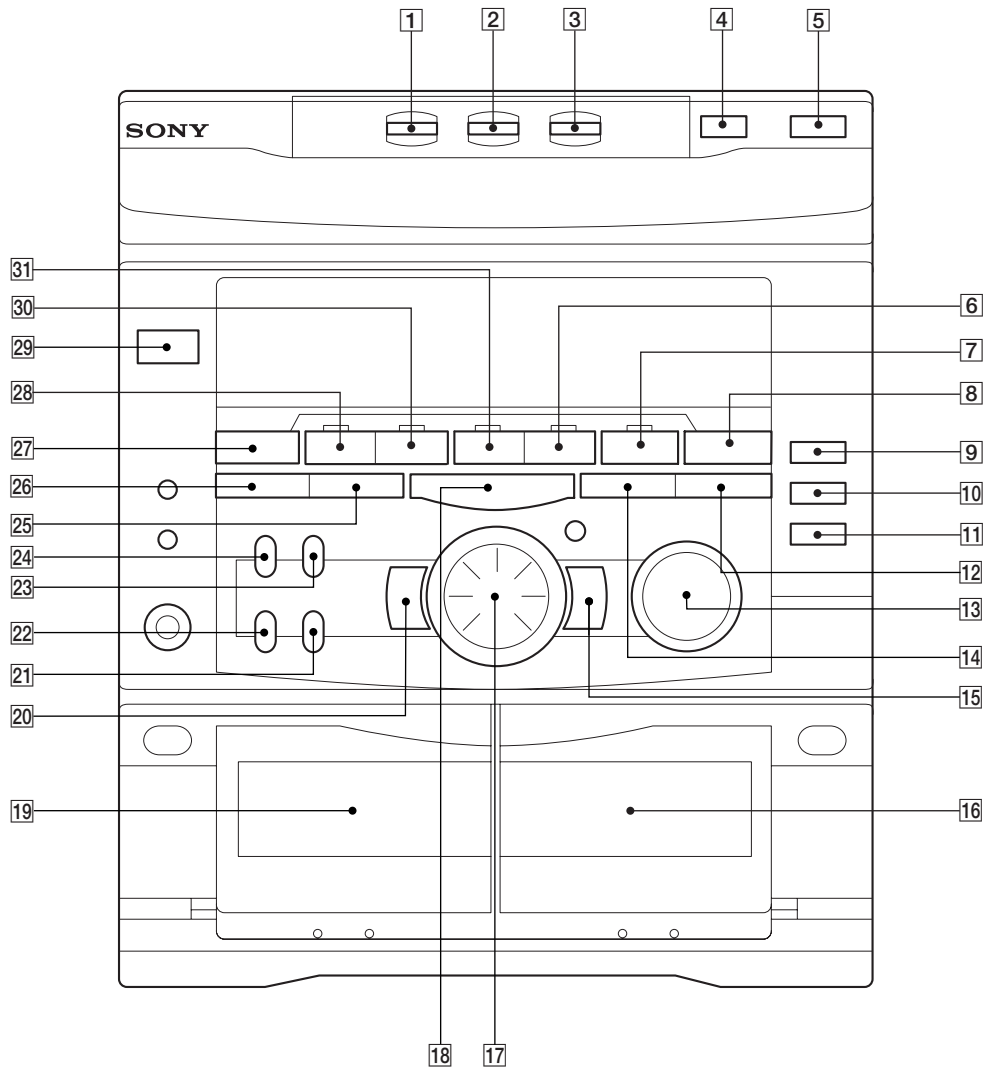
1. A commercial leakage tester, such as the Simpson 229 or RCA WT-540A. Follow the manufacturers’ instructions to use these instruments.
2. A battery-operated AC milliammeter. The Data Precision 245 digital multimeter is suitable for this job.
3. Measuring the voltage drop across a resistor by means of a VOM or battery-operated AC voltmeter. The “limit” indication is 0.75 V, so analog meters must have an accurate low-voltage scale. The Simpson 250 and Sanwa SH-63Trd are examples of a passive VOM that is suitable. Nearly all battery operated digital multimeters that have a 2V AC range are suitable. (See Fig. A)



1. GENERAL	4
2. DISASSEMBLY	
2-1. Upper Cover and CD Door	5
2-2. Front Panel	5
2-3. Main Board	6
2-4. Amp Board	6
2-5. CD Tray	7
2-6. CD Decoder Board	7
2-7. Base Unit	8
2-8. Cassette Door	8
3. MECHANICAL ADJUSTMENTS	9
4. ELECTRICAL ADJUSTMENTS	9
5. DIAGRAMS	
5-1. Circuit Boards Location	14
5-2. Block Diagrams	
• Deck Section	15
• CD Section	17
5-3. IC Block Diagrams	19
5-4. Printed Wiring Board —CD Section —	24
5-5. Schematic Diagram — CD Section —	29
5-6. Schematic Diagram —Panel Section —	33
5-7. Printed Wiring Board —Panel Section —	37
5-8. Printed Wiring Board — Deck Section —	42
5-9. Schematic Diagram —Deck Section —	47
5-10. Schematic Diagram —Main Section —	51
5-11. Printed Wiring Board —Main Section —	55
5-12. Printed Wiring Board — Amp Section —	60
5-13. IC Pin Function	65
6. EXPLODED VIEWS	
6-1. Cabinet Section	67
6-2. Front Panel Section	68
6-3. Cassette Mechanism Deck Section	69
6-4. CD Mechanism Deck Section 1	70
6-5. CD Mechanism Deck Section 2	71
6-6. Base Unit Section (KSM-213BCM)	72
7. ELECTRICAL PARTS LIST	73

SECTION 1 GENERAL

LOCATION OF PARTS AND CONTROLS

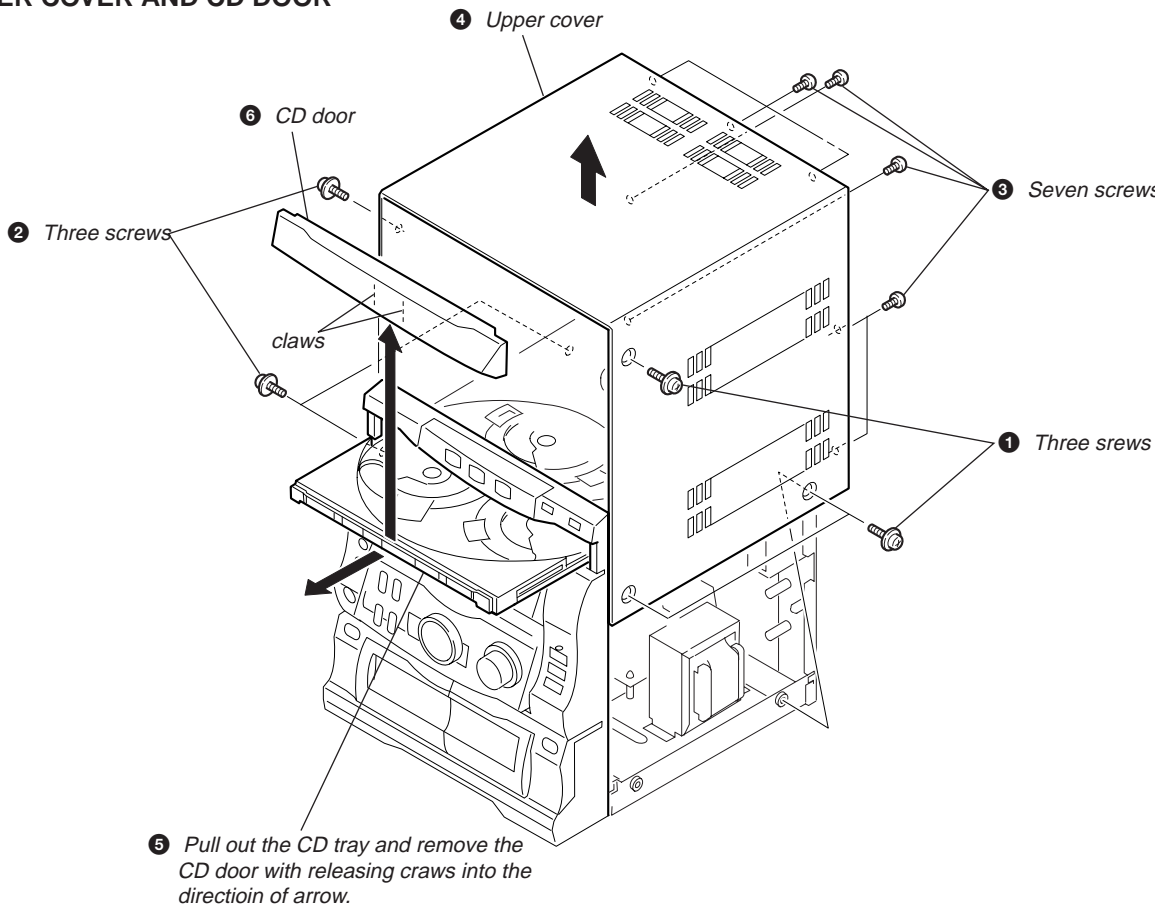


- | | | | |
|-----------|----------------------|-----------|-----------------------|
| 1 | DISC 1 button | 17 | JOG DIAL |
| 2 | DISC 2 button | 18 | □ (STOP) button |
| 3 | DISC 3 button | 19 | DECK A |
| 4 | DISC SKIP button | 20 | << - button |
| 5 | ≡ OPEN/CLOSE button | 21 | DBFB button |
| 6 | ▷ (TAPE B) | 22 | SURROUND button |
| 7 | ▷ (CD) button | 23 | FILE SELECT button |
| 8 | TUNER/BAND button | 24 | DISPLAY/DEMO button |
| 9 | ● REC button | 25 | EDIT/DIRECTION button |
| 10 | PAUSE button | 26 | PLAY MODE button |
| 11 | CD SYNC button | 27 | FUNCTION |
| 12 | STEREO/MONO button | 28 | < (TAPE A) button |
| 13 | VOLUME | 29 | I/⏻ (POWER) button |
| 14 | REPEAT/MEMORY button | 30 | ▷ (TAPE A) button |
| 15 | ▷▷ + button | 31 | < (TAPE B) button |
| 16 | DECK B | | |

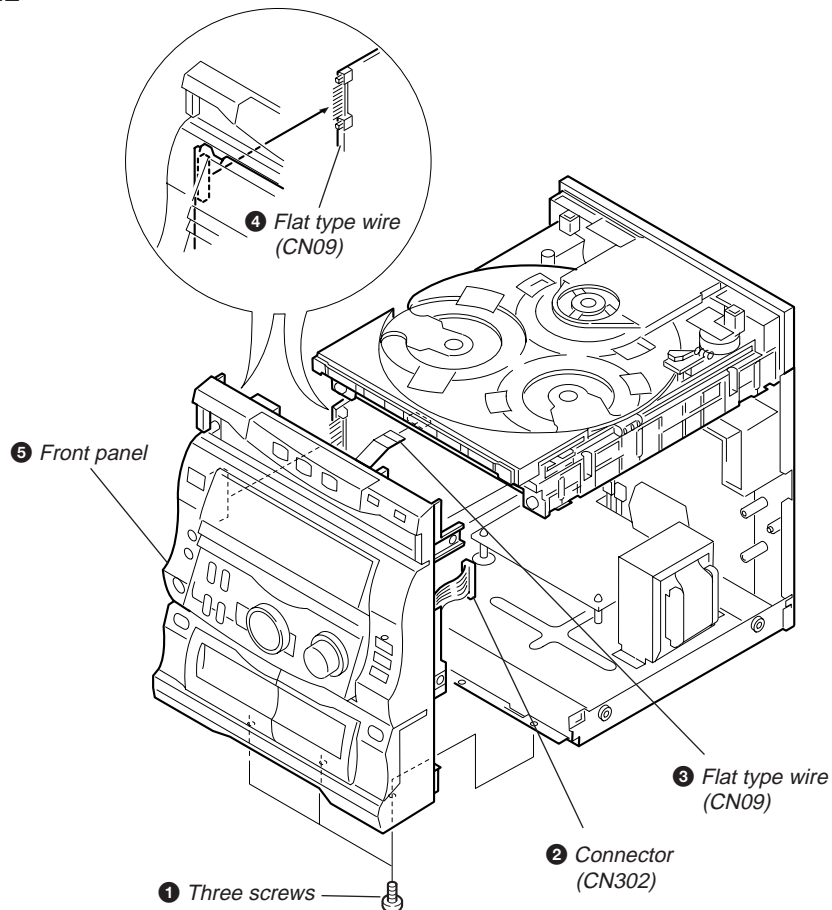
SECTION 2 DISASSEMBLY

Note : Follow the disassembly procedure in the numerical order given.

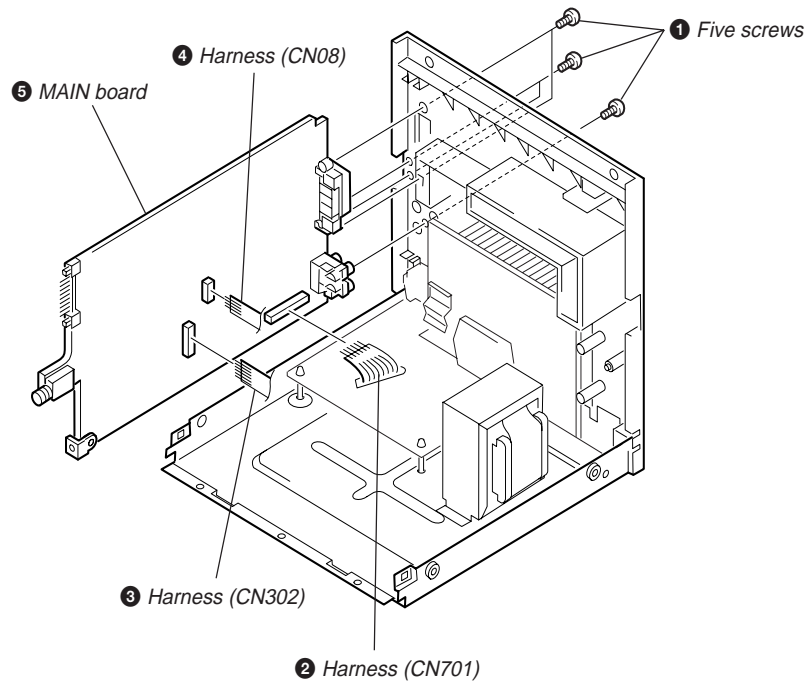
2-1. UPPER COVER AND CD DOOR



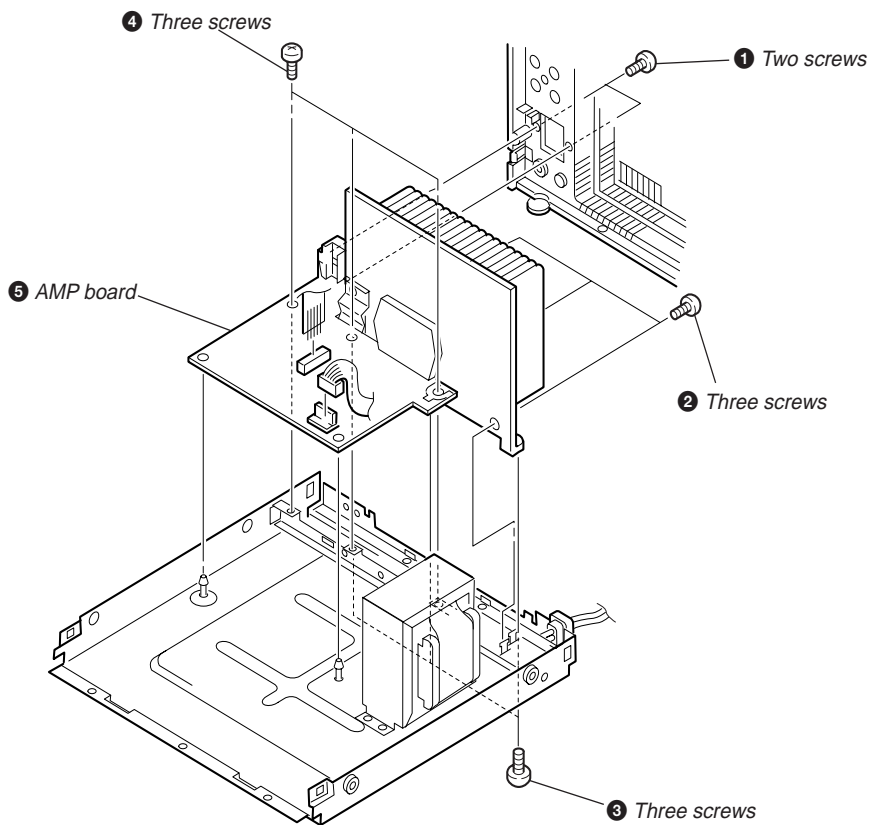
2-2. FRONT PANEL



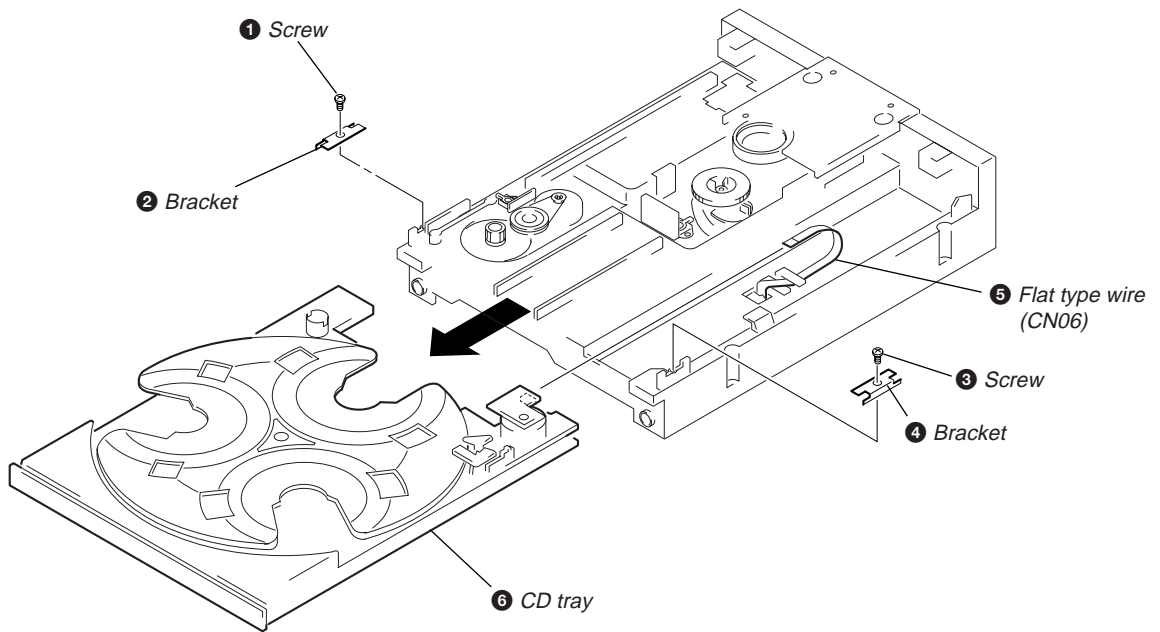
2-3. MAIN BOARD



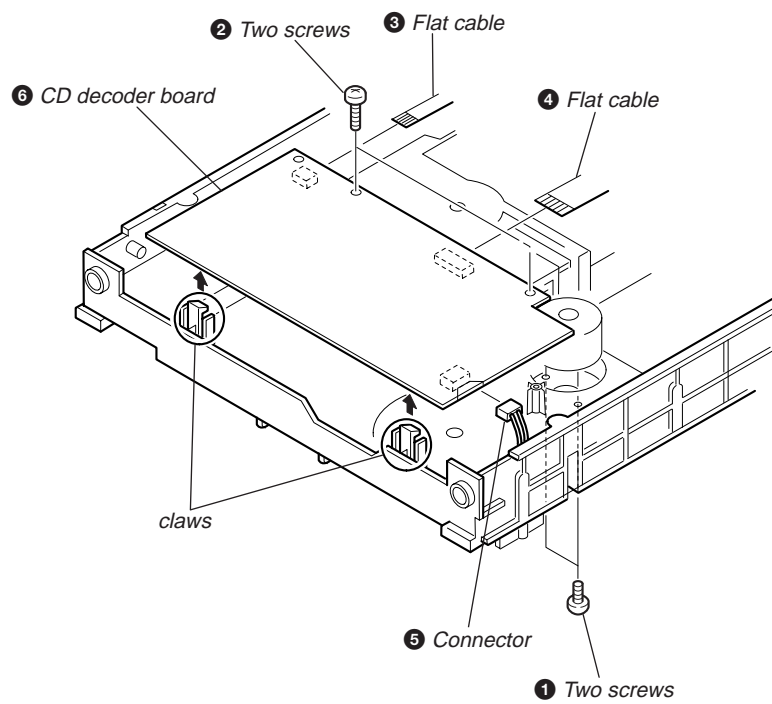
2-4. AMP BOARD



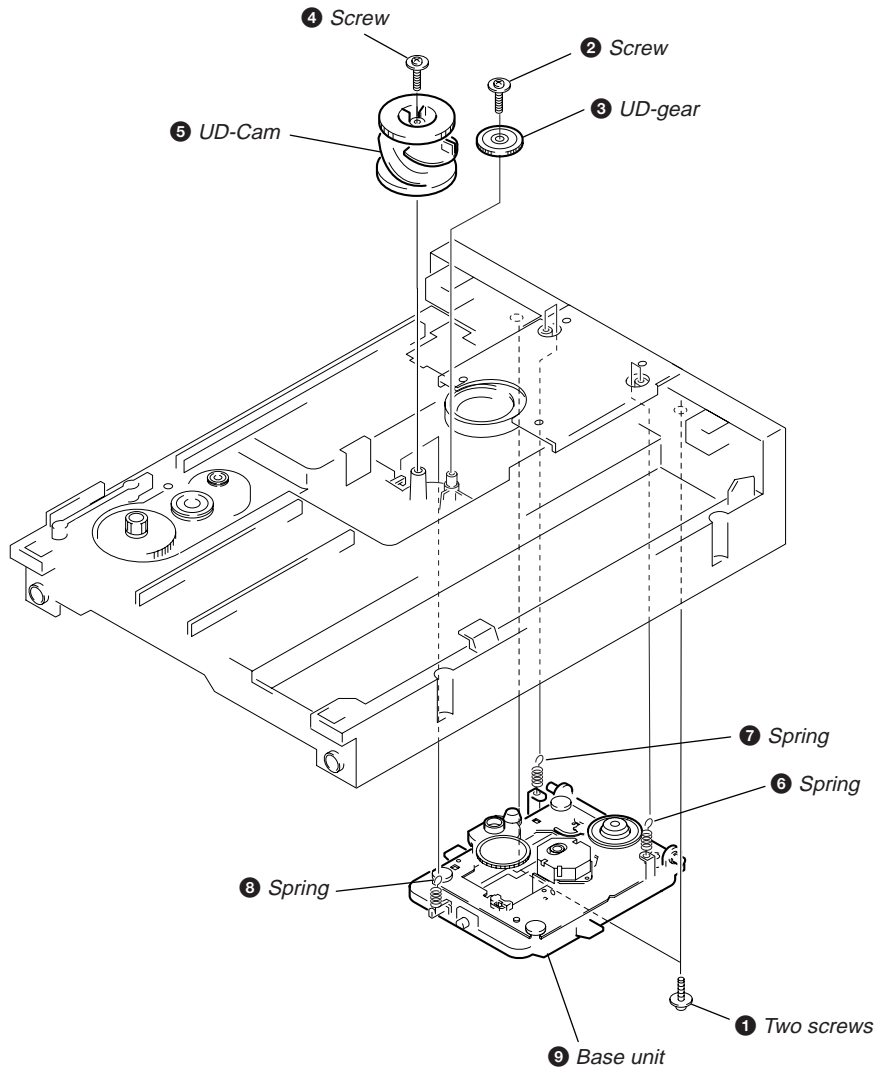
2-5. CD TRAY



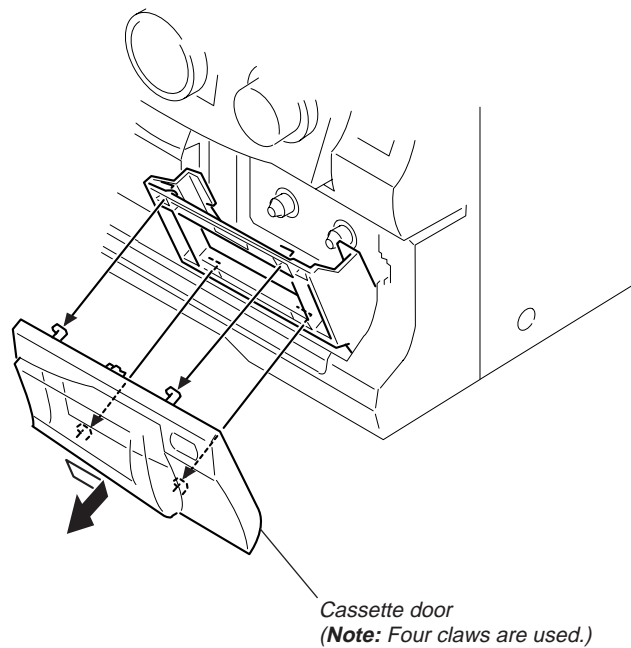
2-6. CD DECODER BOARD



2-7. BASE UNIT



2-8. CASSETTE DOOR



SECTION 3 MECHANICAL ADJUSTMENTS

Precaution

1. Clean the following parts with a denatured alcohol-moistened swab:

record/playback head	pinch rollers
erase head	rubber belts
capstan	idlers
2. Demagnetize the record/playback head with a head demagnetizer.
3. Do not use a magnetized screwdriver for the adjustments.
4. After the adjustments, apply suitable locking compound to the parts adjusted.
5. The adjustments should be performed with the rated power supply voltage unless otherwise noted.

Torque Measurement

Torque	Torque meter	Meter reading
FWD	CQ-102C	40 to 70 g • cm (0.56 - 0.97 oz • inch)
FWD back tension	CQ-102C	1 to 5 g • cm (0.01 - 0.07 oz • inch)
FF/REW	CQ-201B	55 to 140 g • cm (0.76 - 1.94 oz • inch)

SECTION 4 ELECTRICAL ADJUSTMENTS

DECK SECTION

0 dB=0.775V

1. Demagnetize the record/playback head with a head demagnetizer.
2. Do not use a magnetized screwdriver for the adjustments.
3. After the adjustments, apply suitable locking compound to the parts adjusted.
4. The adjustments should be performed with the rated power supply voltage unless otherwise noted.
5. The adjustments should be performed in the order given in this service manual. (As a general rule, playback circuit adjustment should be completed before performing recording circuit adjustment.)
6. The adjustments should be performed for both L-CH and R-CH.

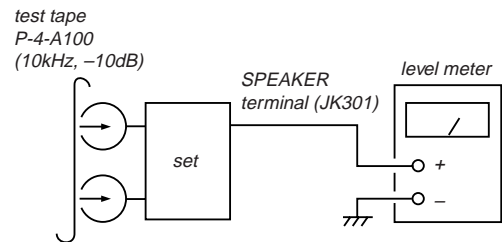
Tape	Signal	Used for
P-4-A100	10 kHz, -10 dB	Azimuth Adjustment
WS-48B	3 kHz, 0 dB	Tape Speed Adjustment

Record/Playback Head Azimuth Adjustment (Deck A, Deck B)

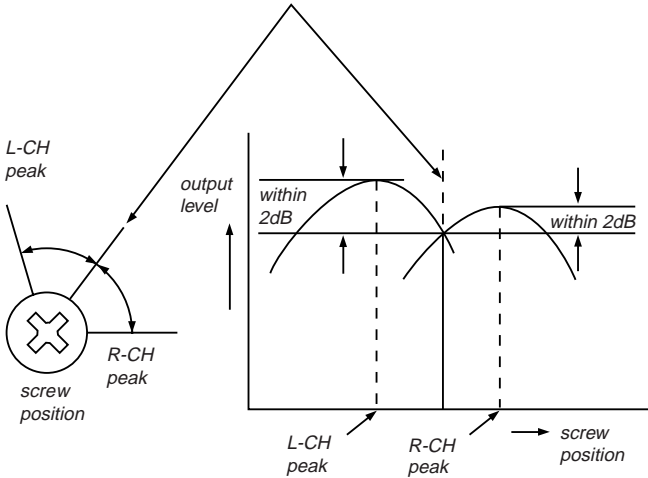
Note: Perform this adjustments for both decks.

Procedure:

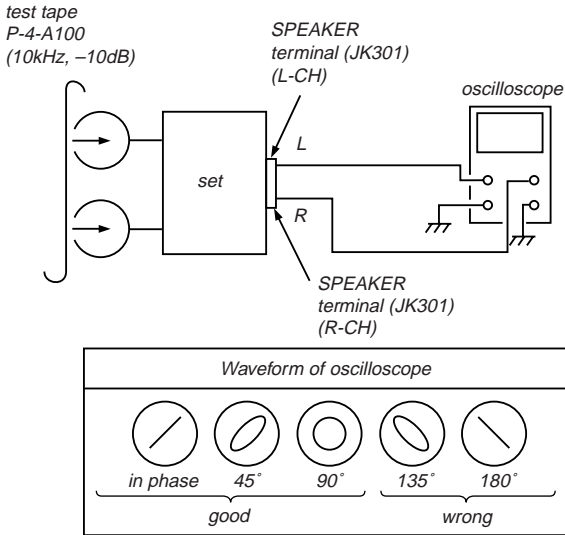
1. Mode : Playback



- Turn the adjustment screw and check output peaks. If the peaks do not match for L-CH and R-CH, turn the adjustment screw so that outputs match within 2 dB of peak.

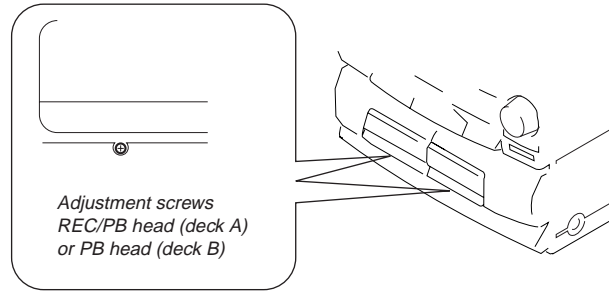


- Mode: Playback



- After the adjustments, apply suitable locking compound to the parts adjusted.

Adjustment Location:

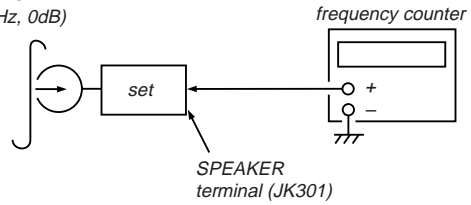


Tape Speed Adjustment (Deck A)

Procedure:

- Mode: Playback

test tape
WS-48B
(3kHz, 0dB)



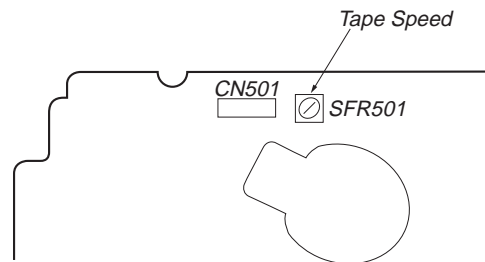
- Adjust the SFR501 so that the frequency counter reads 3,000 Hz \pm 90Hz.

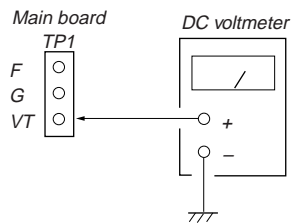
Adjustment Location: DECK board

Sample Value of Wow and flutter

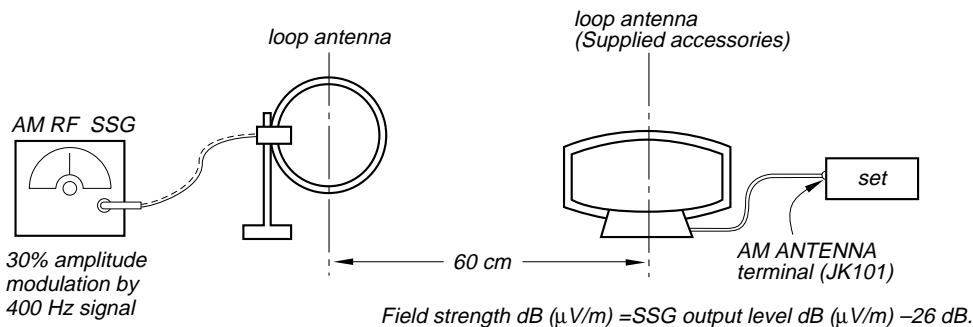
W. RMS (JIS) within 0.3%
(test tape: WS-48B)

[DECK BOARD] — Component side —



TUNER SECTION**0 dB=1 μ V****AM Tuning Voltage Adjustment****Procedure:**

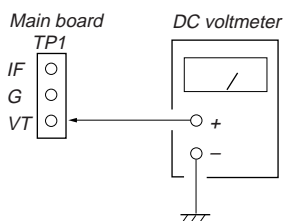
1. Set the reception frequency of the unit to 530 kHz.
2. Adjust L105 for 1.2 ± 0.05 V reading on the DC voltmeter.
3. Set the reception frequency of the unit to 1,710 kHz.
4. Confirm that the voltage reading on the DC voltmeter is within 8.0 ± 0.5 V.

Adjustment Location: MAIN board (See page 12)**AM Tracking Adjustment****Procedure:**

1. Tune the set to 600 kHz.
2. Set the output of AM RF SSG so that the input level of the set will become 60 dB (μ V/m).
3. Adjust L104 so that when the waveform on the oscilloscope is maximum, no noise appears.
4. Tune the set to 1,400 kHz.

5. Adjust CT102 so that when the waveform on the oscilloscope is maximum, no noise appears.

- Repeat the procedures in each adjustment several times, and the tracking adjustment should be finally done by the trimmer capacitors.

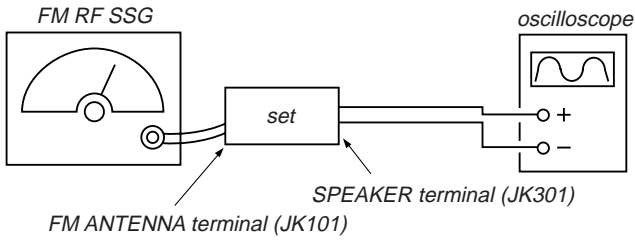
Adjustment Location: MAIN board (See page 12)**FM Tuning Voltage Adjustment****Procedure :**

1. Set the reception frequency of the unit to 87.5 MHz.
2. Adjust L103 for 1.2 ± 0.05 V reading on the DC voltmeter.
3. Set the reception frequency of the unit to 108 MHz.
4. Confirm that the voltage reading on the DC voltmeter is within 7.8 ± 0.5 V.

Adjustment Location: MAIN board (See page 12)

FM Tracking Adjustment

Procedure:



Carrier frequency : 90 MHz, 106 MHz
 Modulation : AUDIO 1kHz, 75kHz deviation (100%)
 Output level : 20 dB (at 75 Ω open)

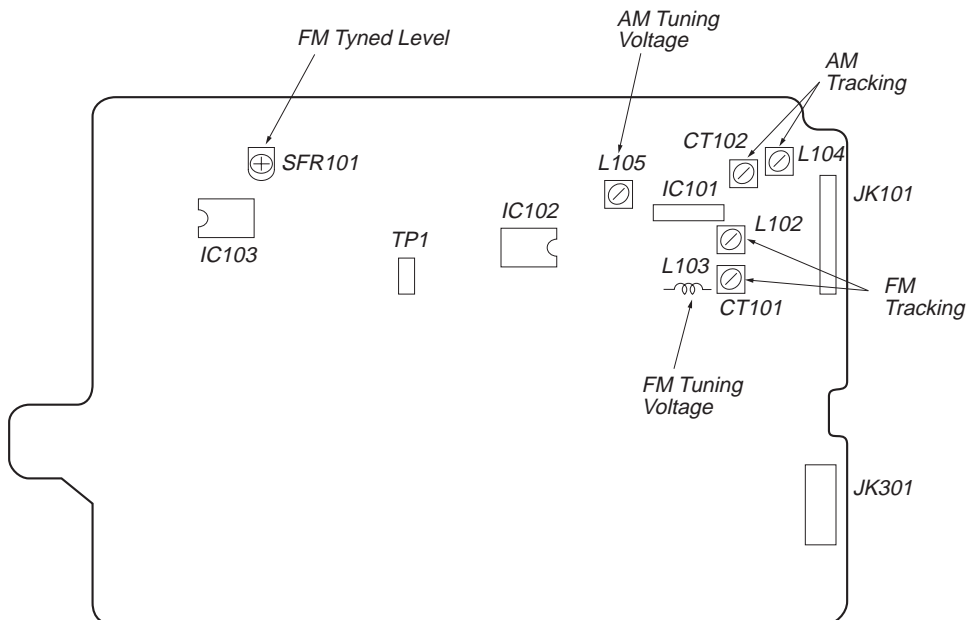
1. Tune the set to 90 MHz.
2. Adjust L102 so that when the waveform on the oscilloscope is maximum, no noise appears.
3. Tune the set to 106 MHz.
4. Adjust CT101 so that when the waveform on the oscilloscope is maximum, no noise appears.

- Repeat the procedures in each adjustment several times, and the tracking adjustment should be finally done by the trimmer capacitors.

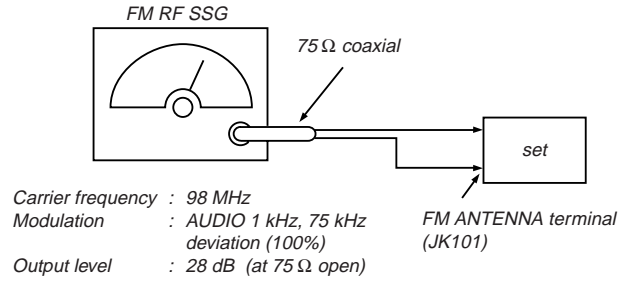
Adjustment Location: MAIN board

Adjustment Location

[MAIN BOARD] — Component side —



FM Tuned Level Adjustment



Procedure:

1. Supply a 28 dB 98 MHz signal from the ANTENNA terminal.
2. Tune the set to 98 MHz.
3. Adjust SFR101 to the point (moment) when the TUNED indicator will change from going off to going on.

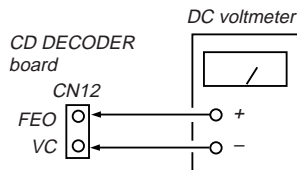
Adjustment Location: MAIN board

CD SECTION

Note:

1. CD Block is basically constructed to operate without adjustment. Therefore, check each item in order given.
2. Use YEDS-18 disc (3-702-101-01) unless otherwise indicated.
3. Use an oscilloscope with more than 10MΩ impedance.
4. Clean the object lens by an applicator with neutral detergent when the signal level is low than specified value with the following checks.
5. Adjust the focus bias adjustment when optical block is replaced.

Focus Bias Adjustment



Procedure:

1. Connect DC voltmeter to test point CN12 (FEO), (VC) on CD DECODER board.
2. Turned Power switch on.
3. Put disc (YEDS-18) in and stop.
4. Adjust VR01 so that the DC voltmeter reading is 0 ± 20 mV.

Adjustment Location: CD DECODER board

Focus Gain Adjustment (VR02)

This gain has a margin, so even if it is slightly off.

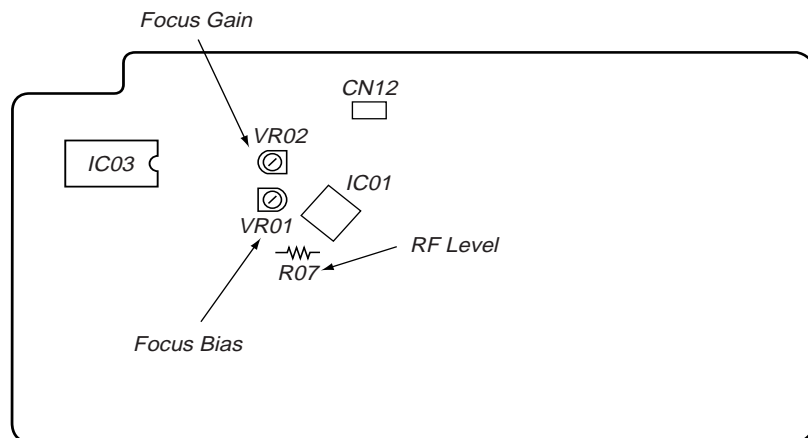
There is no problem.

Therefore, do not perform this adjustment.

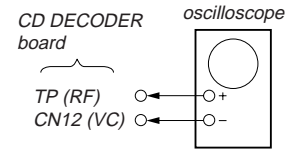
Please note that it should be fixed to mechanical center position when you moved and do not know original position.

Adjustment Location

[CD DECODER BOARD] — Component side —



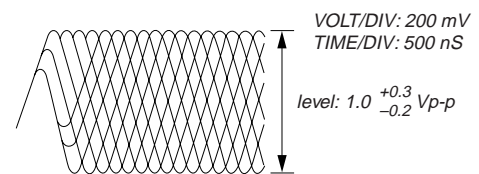
RF Level Check



Procedure :

1. Connect oscilloscope to test point TP (RF) on CD DECODER board.
2. Turned Power switch on.
3. Put disc (YEDS-18) in and playback.
4. Confirm that oscilloscope waveform is clear and check RF signal level is correct or not.

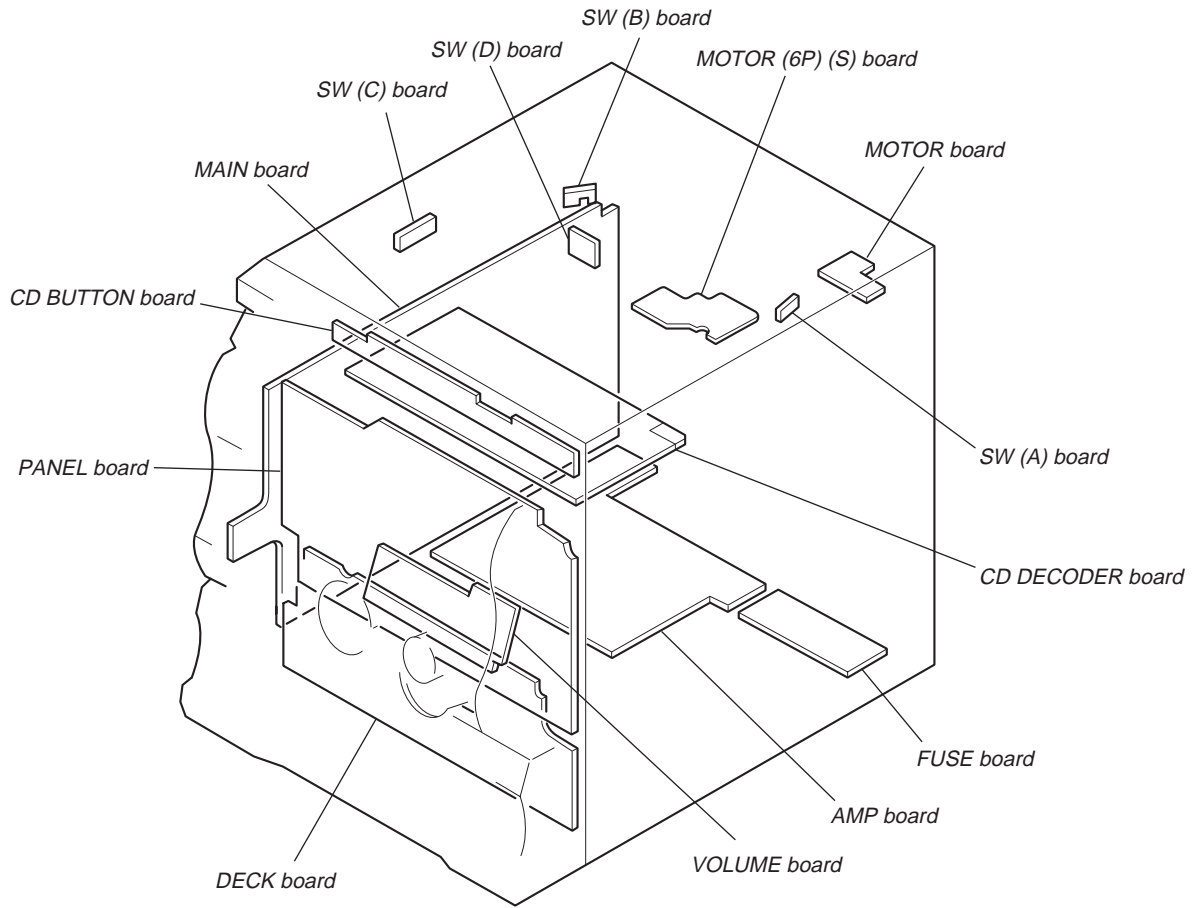
Note: Clear RF signal waveform means that the shape “∩” can be clearly distinguished at the center of the waveform.



Adjustment Location: CD DECODER board

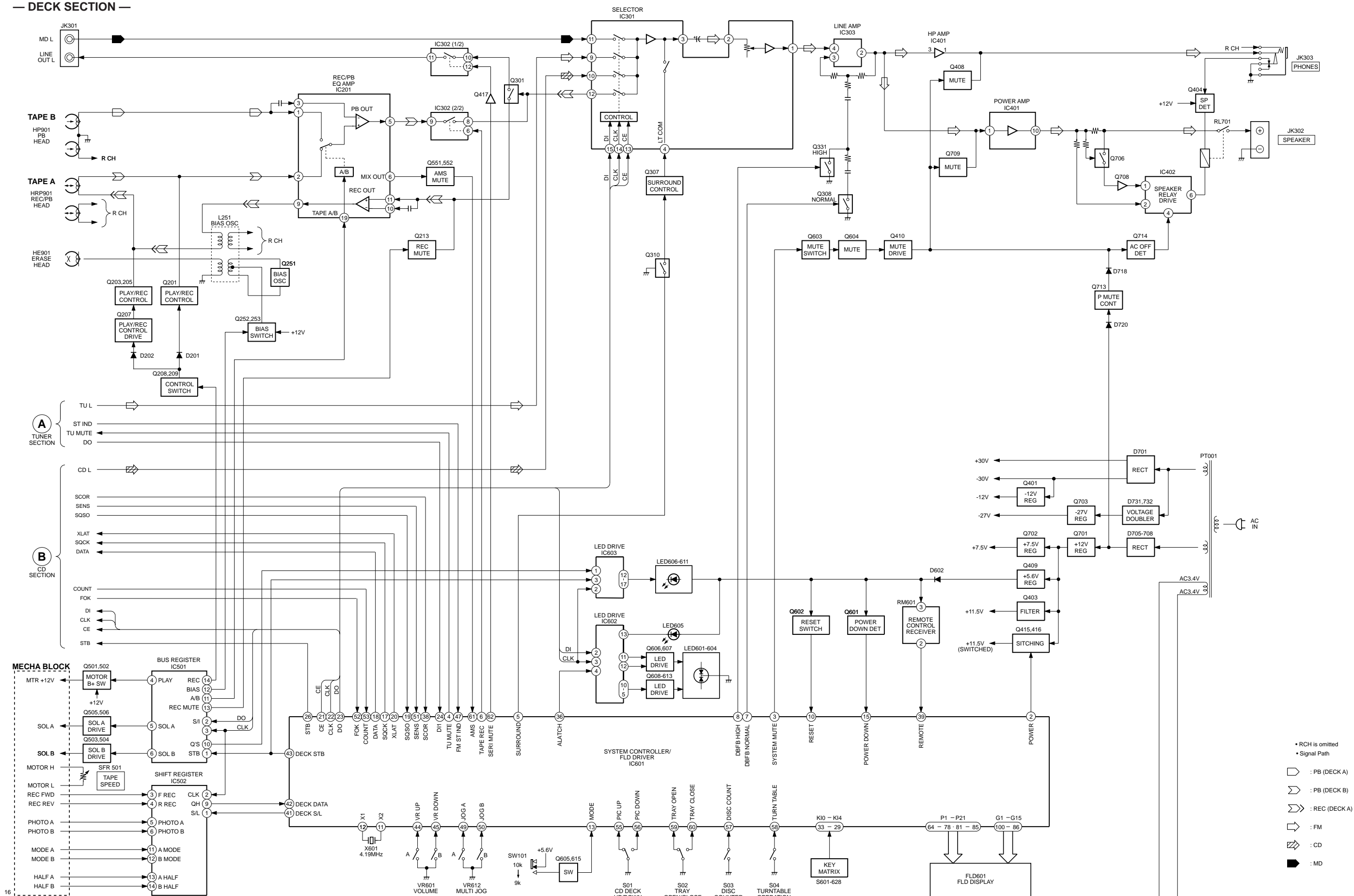
SECTION 5 DIAGRAMS

5-1. CIRCUIT BOARDS LOCATION

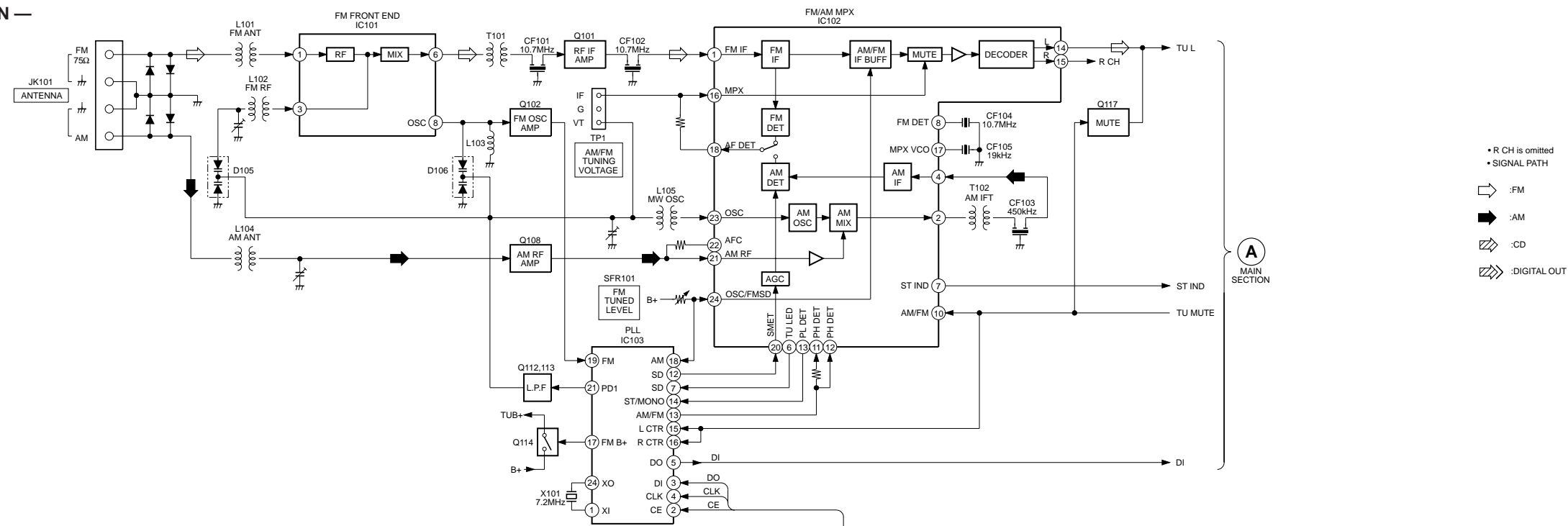


5-2. BLOCK DIAGRAMS

— DECK SECTION —

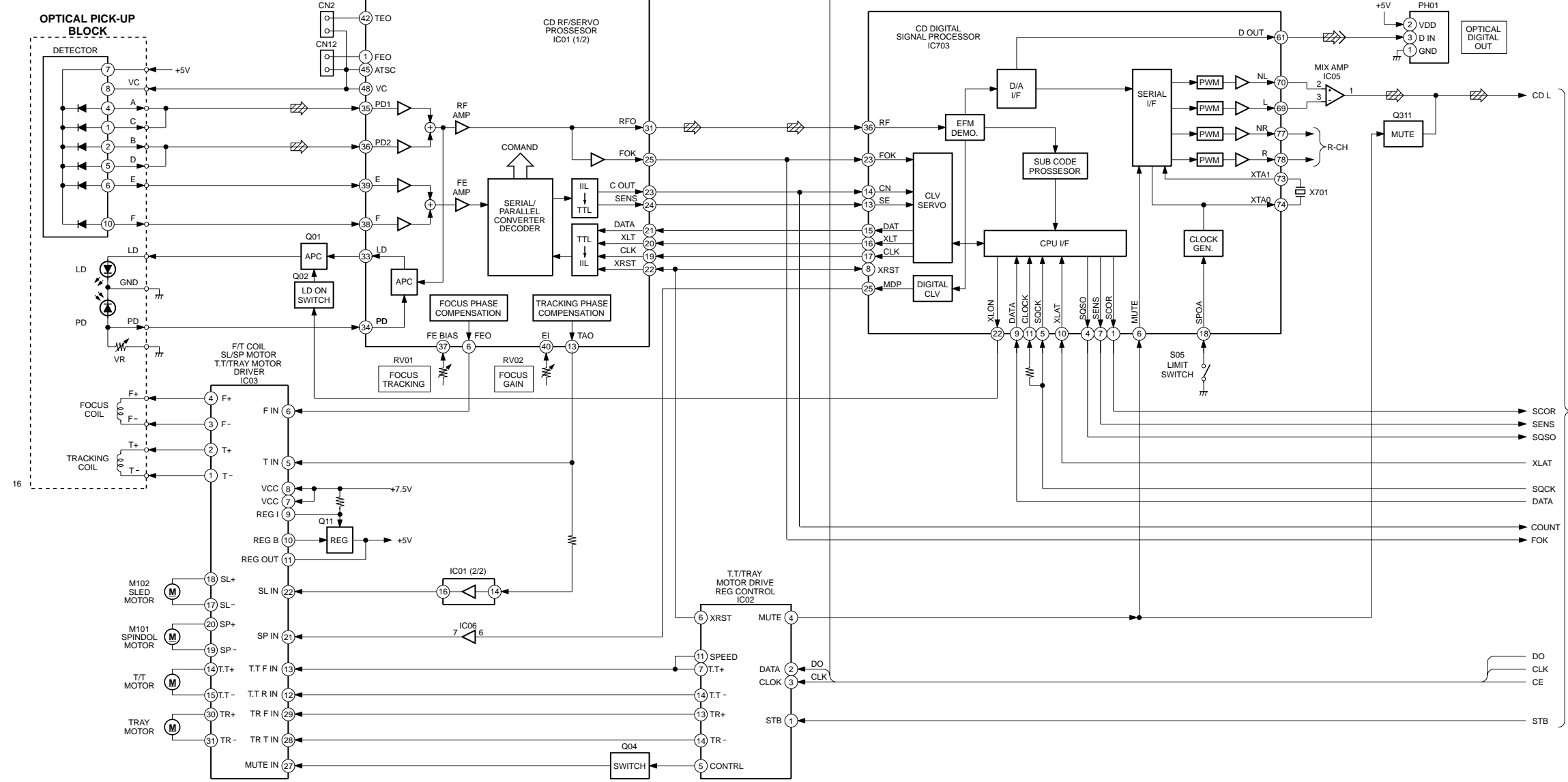


TUNER/CD SECTION



- R CH is omitted
- SIGNAL PATH
- ◁ : FM
- ▣ : AM
- ▨ : CD
- ▧ : DIGITAL OUT

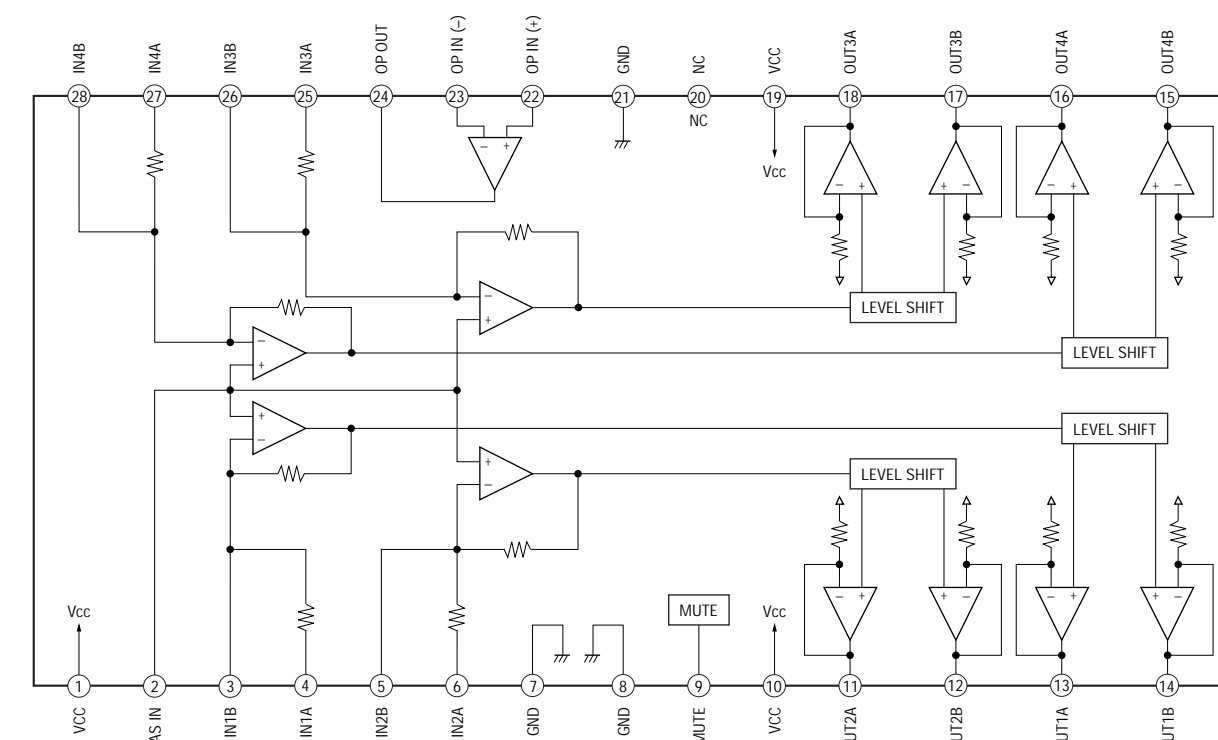
A MAIN SECTION



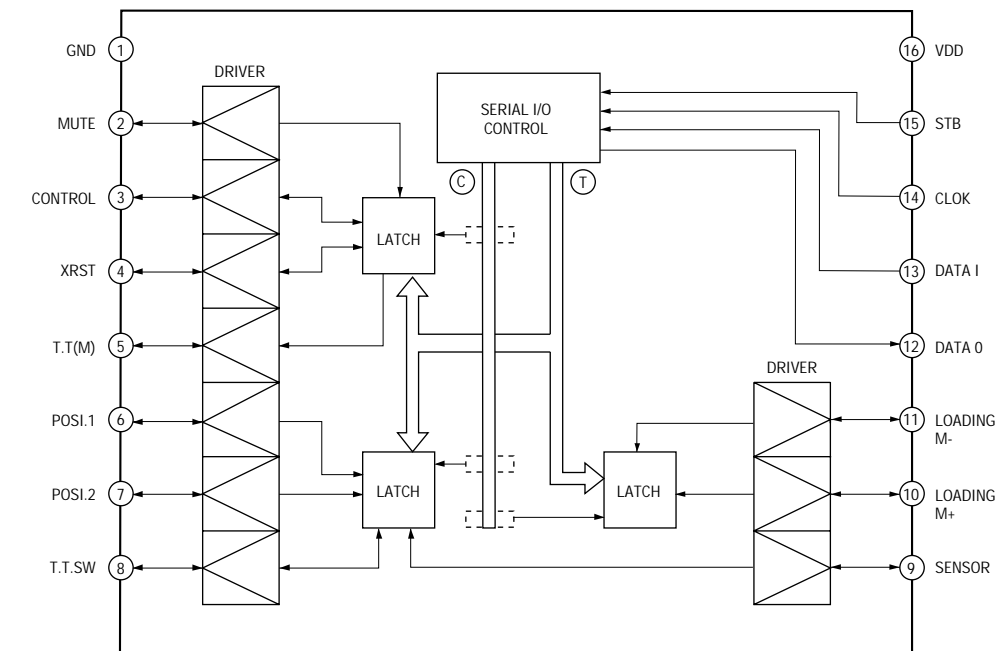
B MAIN SECTION (Page)

5-3. IC BLOCK DIAGRAMS

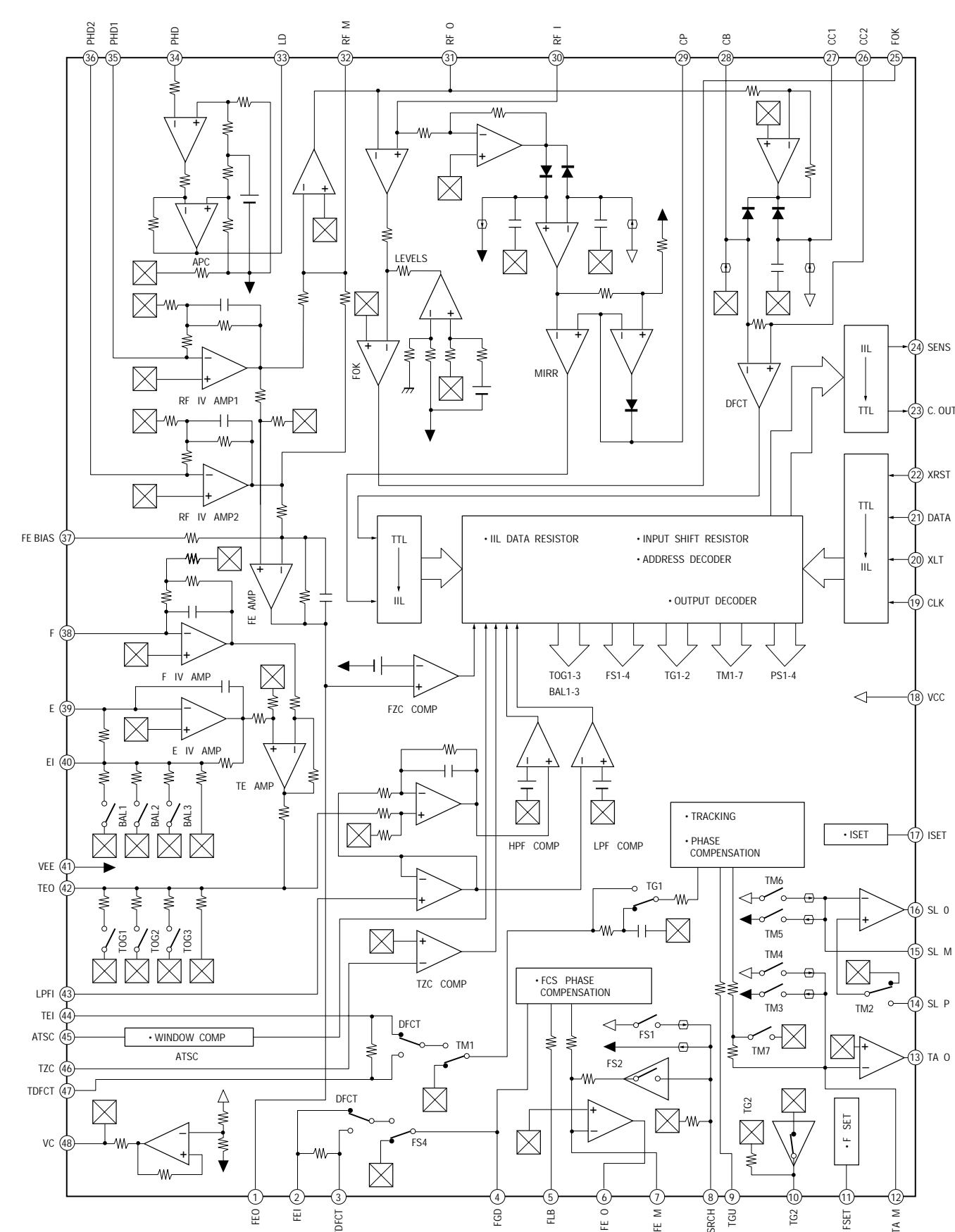
IC03 (CD DECOR BOARD) BA5941FP



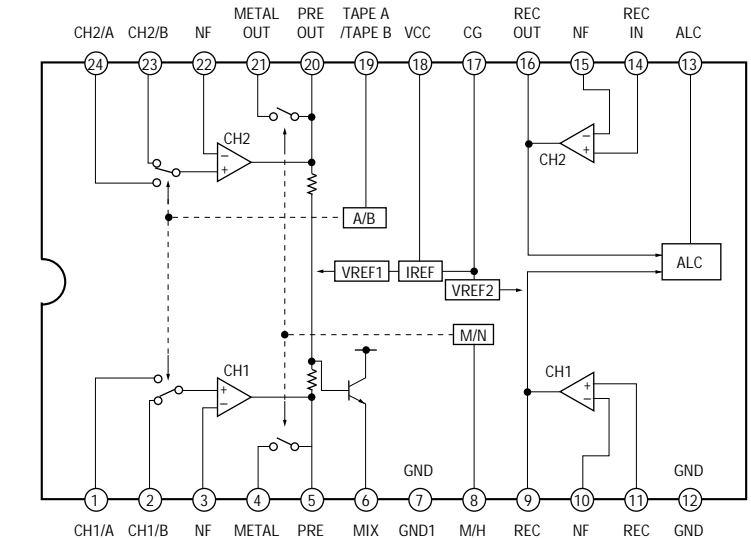
IC02 (CD DECOR BOARD) TC9173P



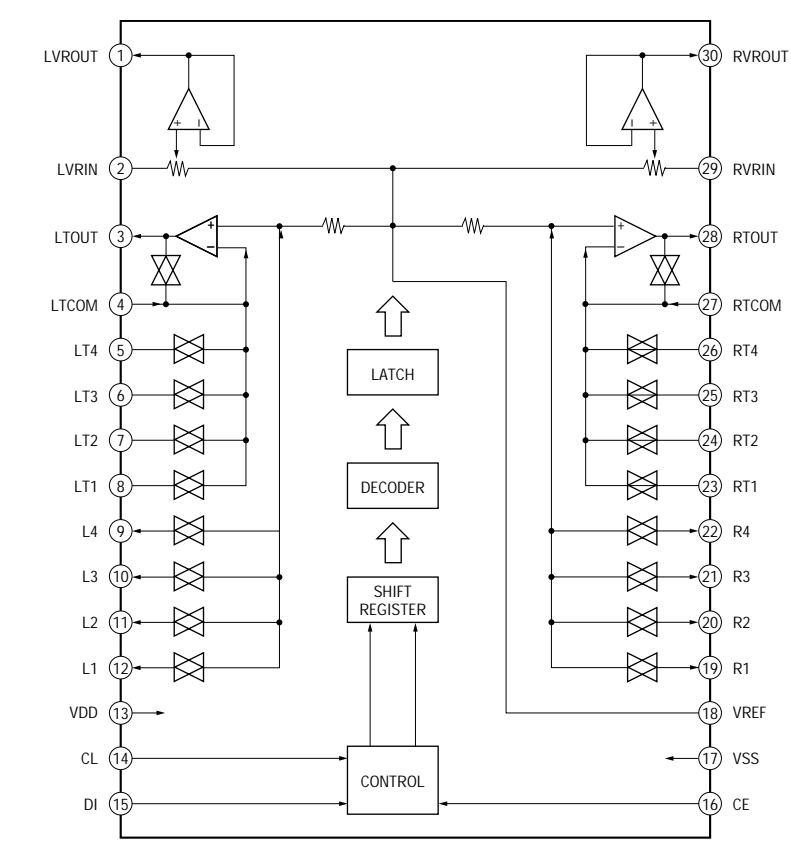
IC01 (CD DECOR BOARD) CXA1782BQ



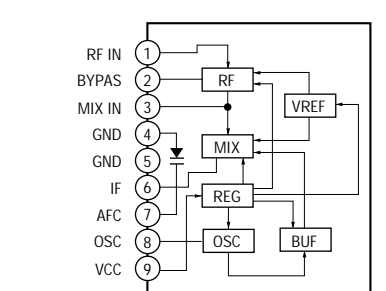
IC201 (MAIN BOARD) TA8189N



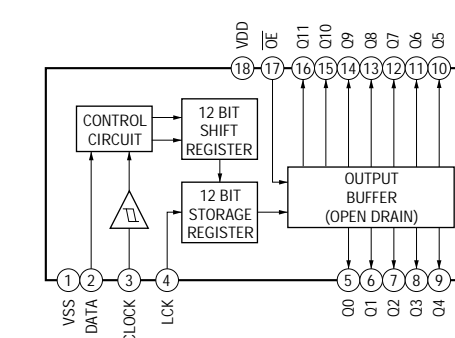
IC301 (MAIN BOARD) LC7539Z



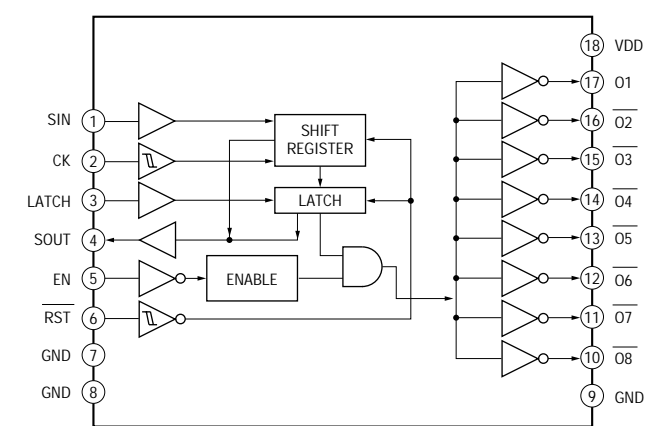
IC101 (MAIN BOARD) LA1186



IC602 (PANEL BOARD) BU2092



IC603 (PANEL BOARD) BU2114



5-13. IC PIN FUNCTION

IC601 μ PD780205FG (SYSTEM CONTROL) / PANEL BOARD

Pin No.	Pin Name	I/O	Description
1	VDD	—	VDD
2	POWER OUT	O	Power switch output. ON: H, OFF: L
3	S. MUTE OUT	O	System mute output. ON: H, OFF: L
4	TU. MUTE OUT	O	Tuner mute output. ON: H, OFF: L
5	TUNED OUT	O	Surround output. ON: H, OFF: L (Not used)
6	TAPE REC OUT	O	Function tape output. Tape: H, Others: L (Not used)
7	DBFB NORMAL	O	DBFB normal (U2: DBFB). ON: H, Others: L
8	NC	O	DBFB high. ON: H, Others: L (Not used)
9	NC	—	Not used
10	RESET	—	Reset input
11	X2	I	X'tal 4.194314 MHz
12	X1	I	X'tal 4.194314 MHz
13	VSS	—	Ground
14	NC	—	Not used (open)
15	POWER DOWN IN	I	Power down input. AC ON: H, AC OFF: L
16	VDD	—	VDD
17	SOCK	O	CXD2508A SQCK, CLOCK output
18	DATA	O	CXD2508A data output
19	SOSO	I	CXD2508A SQSO input
20	XLAT	O	CXD2508A XLAT output. Latch: L, Others: H
21	CE	O	Chip enable output to LC7218, LC75392. Data: H, Address: L
22	CLK	O	CLK output
23	DO	O	Data output
24	DI	I	Data input
25	VSS	—	Ground
26	CD STB	O	STB output to SN74HC4094. STB: L, Others: H
27	FLAT	O	Flat output. Flat: H, Others: L (Not used)
28	VSS	—	Ground
29	K4	I	Key input 4 to A/D
30	K3	I	Key input 3 to A/D
31	K2	I	Key input 2 to A/D
32	K1	I	Key input 1 to A/D
33	K0	I	Key input 0 to A/D
34	AVDD	O	VDD of A/D converter
35	AVREF	—	Reference voltage of A/D converter
36	A LATCH	O	Latch output to BU2092. Latch: H, Others: L
37	B LATCH	—	Not used
38	SCOR	I	CXD2508A SCOR
39	REMOTE IN	I	Remote signal input. ON: H, OFF: L
40	VSS	—	Ground
41	NC	O	Shift or load output to SN74HC165. Shift: H, Load: L (Not used)
42	VSS	I	Data input to SN74HC165 (Ground)
43	DECK STB	O	STB output to BU2114, SN74HC4094. STB:H, Others: L (Not used)
44	VR UP	I	VR encoder A input. ON:L, OFF: H
45	VR DOWN	I	VR encoder B input. ON:L, OFF: H
46	VDD	—	VDD
47	FM ST IN	I	FM stereo indicator input. Stereo:L, Mono: H
48	SYNC REC IN	I	Synchro record input. Record:L, Other: H
49	VSS	I	CD encoder A input. ON: L, OFF: H (Ground)
50	VSS	I	CD encoder B input. ON: L, OFF: H (Ground)

Pin No.	Pin Name	I/O	Description
51	SENS	I	Input from CXD2508A SENS
52	FOK	I	Input from CXD2508A FOK. OK: H, Others: L
53	COUNT	I	Input from CXD2508A COUNT
54	VSS	—	Ground
55	PIC UP	I	Input from CD mechanism pick up switch. Up: L, Others: H
56	PIC DOWN	I	Input from CD mechanism pick down switch. Down: L, Others: H
57	DISC COUNT SW	I	Input from CD mechanism disc count switch. Count: L, Others: H
58	TURN TABLE SW	I	Input from CD mechanism turn table switch. ON: L, OFF: H
59	TRAY OPEN SW	I	Input from CD mechanism tray open switch. Open: L, Others: H
60	TRAY CLOSE SW	I	Input from CD mechanism tray close switch. Open: L, Others: H
61	VSS	I	AMS signal input. During program: H, Interval between programs: L
62	SERI MUTE (TUNER)	O	Serial mute (tuner) output (Not used)
63	MODE SW IN	I	Input from destination select mode switch. ON: H, OFF: L
64	P1	O	FLD segment signal output P1. ON: H, OFF: L
65	P2	O	FLD segment signal output P2. ON: H, OFF: L
66	P3	O	FLD segment signal output P3. ON: H, OFF: L
67	P4	O	FLD segment signal output P4. ON: H, OFF: L
68	P5	O	FLD segment signal output P5. ON: H, OFF: L
69	P6	O	FLD segment signal output P6. ON: H, OFF: L
70	P7	O	FLD segment signal output P7. ON: H, OFF: L
71	P8	O	FLD segment signal output P8. ON: H, OFF: L
72	P9	O	FLD segment signal output P9. ON: H, OFF: L
73	P10	O	FLD segment signal output P10. ON: H, OFF: L
74	P11	O	FLD segment signal output P11. ON: H, OFF: L
75	P12	O	FLD segment signal output P12. ON: H, OFF: L
76	P13	O	FLD segment signal output P13. ON: H, OFF: L
77	P14	O	FLD segment signal output P14. ON: H, OFF: L
78	P15	O	FLD segment signal output P15. ON: H, OFF: L
79	-V LOAD	—	(-) negative power supply
80	P16	O	FLD segment signal output P16. ON: H, OFF: L
81	P17	O	FLD segment signal output P17. ON: H, OFF: L
82	P18	O	FLD segment signal output P18. ON: H, OFF: L
83	P19	O	FLD segment signal output P19. ON: H, OFF: L
84	P20	O	FLD segment signal output P20. ON: H, OFF: L
85	P21	O	FLD segment signal output P21. ON: H, OFF: L
86	G15	O	FLD grid signal output 15. ON: H, OFF: L
87	G14	O	FLD grid signal output 14. ON: H, OFF: L
88	G13	O	FLD grid signal output 13. ON: H, OFF: L
89	G12	O	FLD grid signal output 12. ON: H, OFF: L
90	G11	O	FLD grid signal output 11. ON: H, OFF: L
91	G10	O	FLD grid signal output 10. ON: H, OFF: L
92	G9	O	FLD grid signal output 9. ON: H, OFF: L
93	G8	O	FLD grid signal output 8. ON: H, OFF: L
94	G7	O	FLD grid signal output 7. ON: H, OFF: L
95	G6	O	FLD grid signal output 6. ON: H, OFF: L
96	G5	O	FLD grid signal output 5. ON: H, OFF: L
97	G4	O	FLD grid signal output 4. ON: H, OFF: L
98	G3	O	FLD grid signal output 3. ON: H, OFF: L
99	G2	O	FLD grid signal output 2. ON: H, OFF: L
100	G1	O	FLD grid signal output 1. ON: H, OFF: L

SECTION 6 EXPLODED VIEWS

NOTE:

- -XX, -X mean standardized parts, so they may have some differences from the original one.
- Items marked “*” are not stocked since they are seldom required for routine service. Some delay should be anticipated when ordering these items.
- Abbreviation

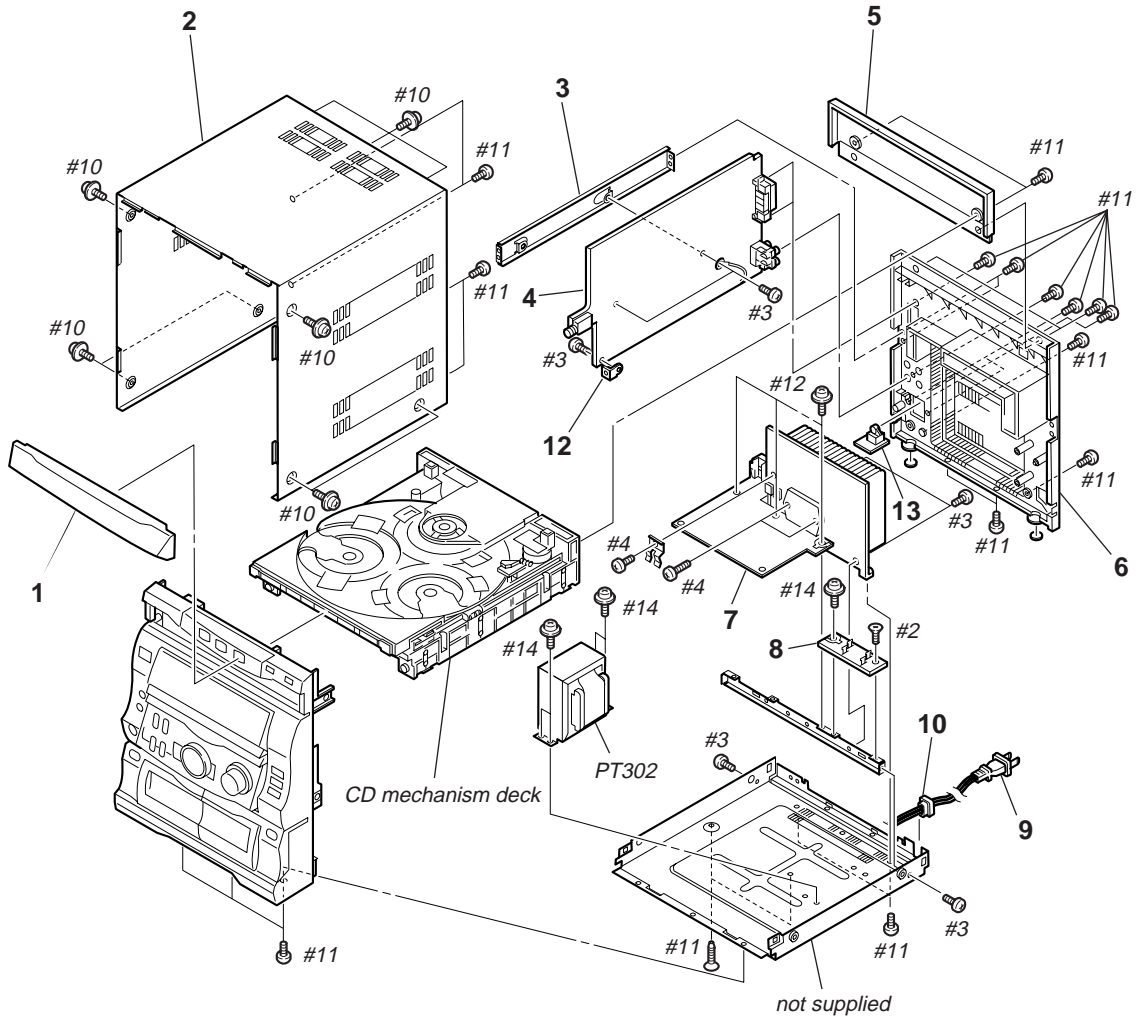
CND : Canadian	AED : North European	TW : Taiwan
AUS : Australian	SP : Singapore	AR : Argentine
MX : Mexico	MY : Malaysia	G : German
- The mechanical parts with no reference number in the exploded views are not supplied.
- Hardware (# mark) list and accessories and packing materials are given in the last of this parts list.

When indicating parts by reference number, please include the board name.

The components identified by mark Δ or dotted line with mark Δ are critical for safety. Replace only with part number specified.

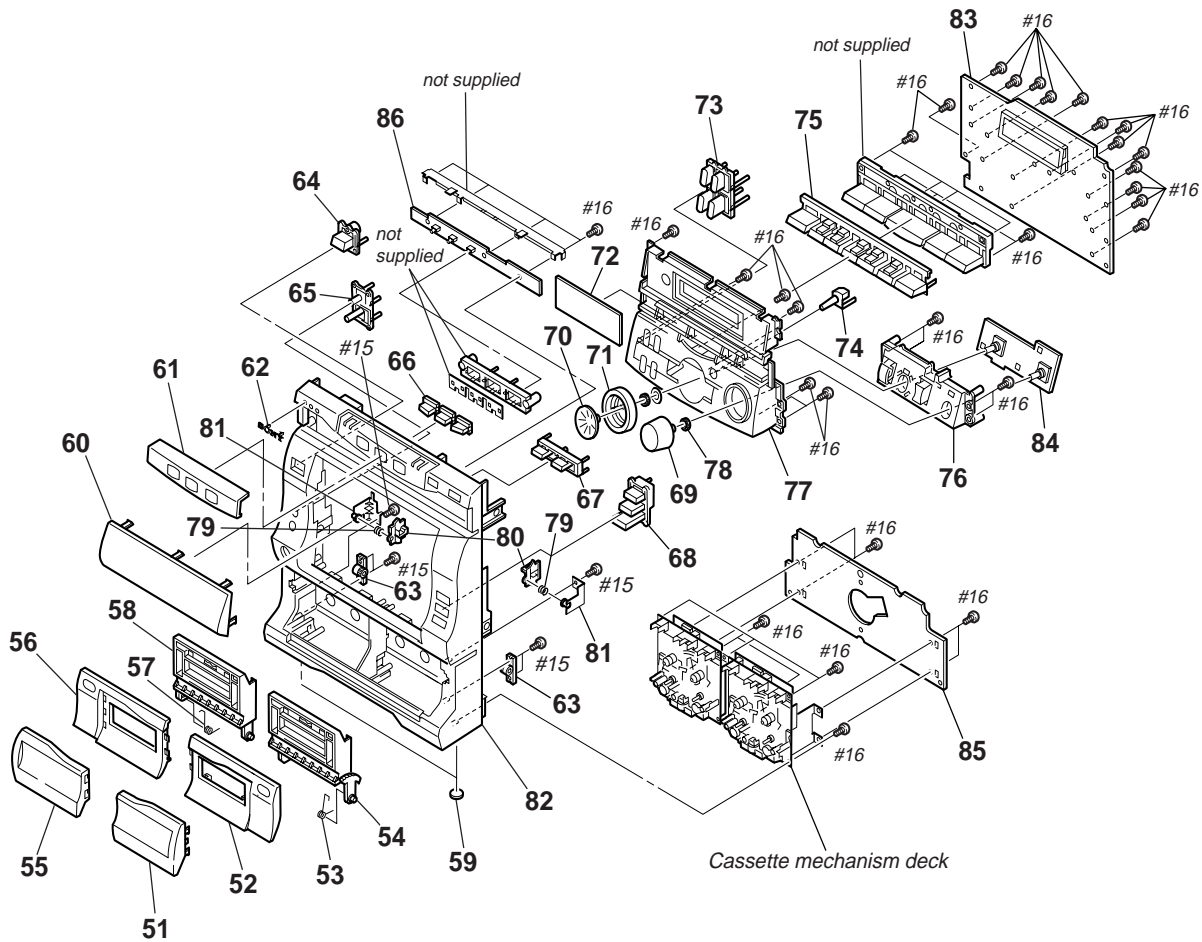
Les composants identifiés par une marque Δ sont critiques pour la sécurité. Ne les remplacer que par une pièce portant le numéro spécifié.

6-1. CABINET SECTION



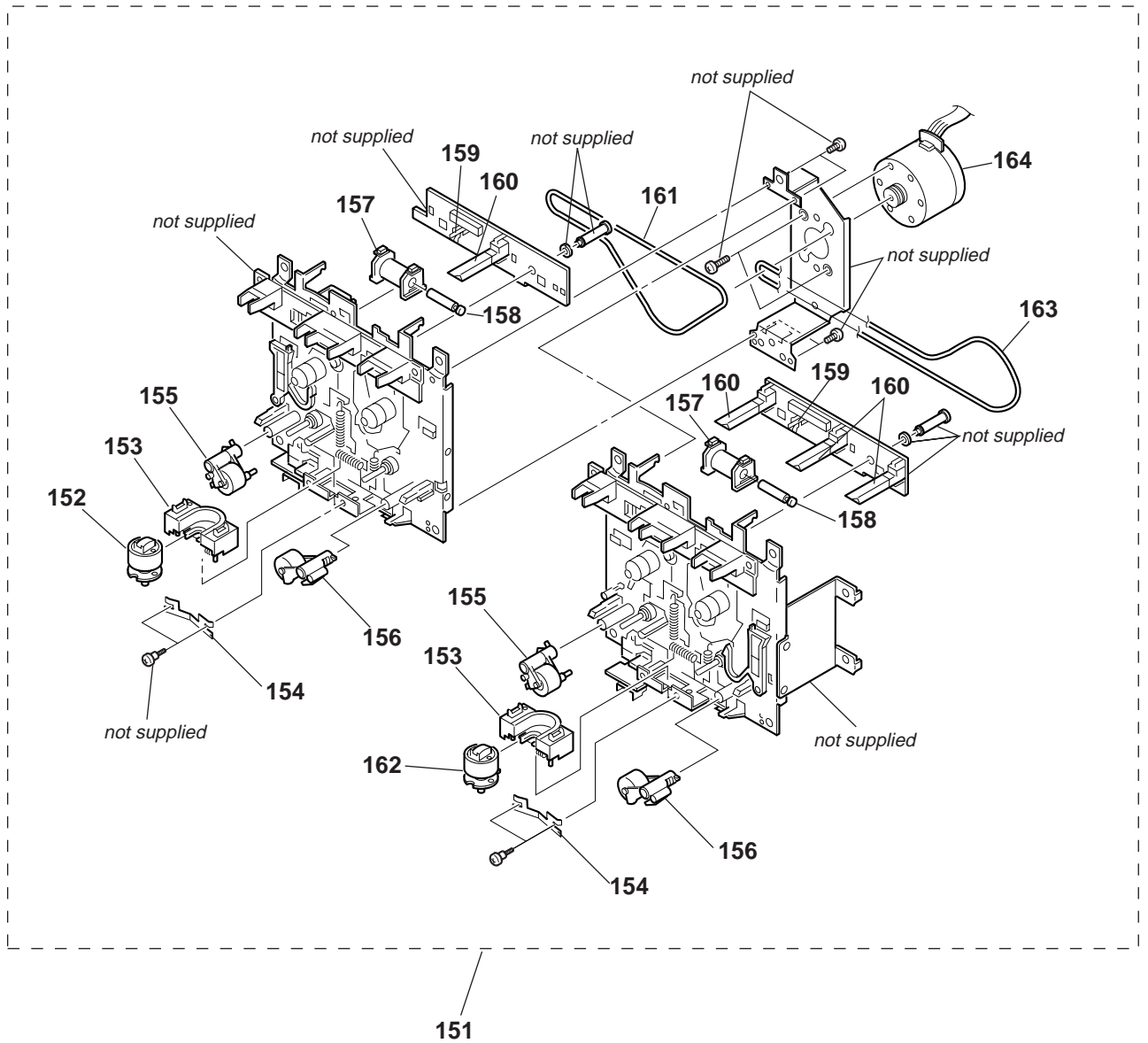
Ref. No.	Part No.	Description	Remarks	Ref. No.	Part No.	Description	Remarks
1	4-210-584-01	WINDOW, CD		Δ 9	1-551-506-99	CORD, POWER (E,MX)	
* 2	4-210-616-01	COVER (-GRX), TOP		Δ 9	1-559-583-11	CORD, POWER (US,CND)	
3	4-210-579-01	HOLDER, MAIN PC BOARD		Δ 9	1-696-966-11	CORD, POWER (AUS)	
* 4	A-4405-480-A	MAIN BOARD, COMPLETE (US,CND)		Δ 9	1-765-558-11	CORD, POWER (SP,MY,TW)	
* 4	A-4405-482-A	MAIN BOARD, COMPLETE (E,AUS,SP,MY,TW)		* 10	3-703-244-00	BUSHING (2104), CORD (AUS,SP,MY,TW)	
* 4	A-4405-483-A	MAIN BOARD, COMPLETE (MX)		10	3-703-571-11	BUSHING (S) (4516), CORD (US,CND,E,MX)	
* 5	4-210-591-01	CABINET (A), REAR		12	4-210-580-01	SPACER (SCC-20), PC BOARD	
* 6	4-210-617-01	COVER, REAR (US,CND)		* 13	1-771-477-11	VOLSEL BOARD	
* 6	4-210-618-01	COVER, REAR (E,SP,MY,TW)		Δ PT302	1-431-950-11	TRANSFORMER, POWER (US,CND)	
* 6	4-210-619-01	COVER, REAR (AUS,MX)		Δ PT302	1-431-952-11	TRANSFORMER, POWER (E,AUS,SP,MY,TW)	
* 7	A-4405-477-A	AMP BOARD, COMPLETE (US,CND)		Δ PT302	1-431-953-11	TRANSFORMER, POWER (MX)	
* 8	1-670-445-11	FUSE BOARD					

6-2. FRONT PANEL SECTION



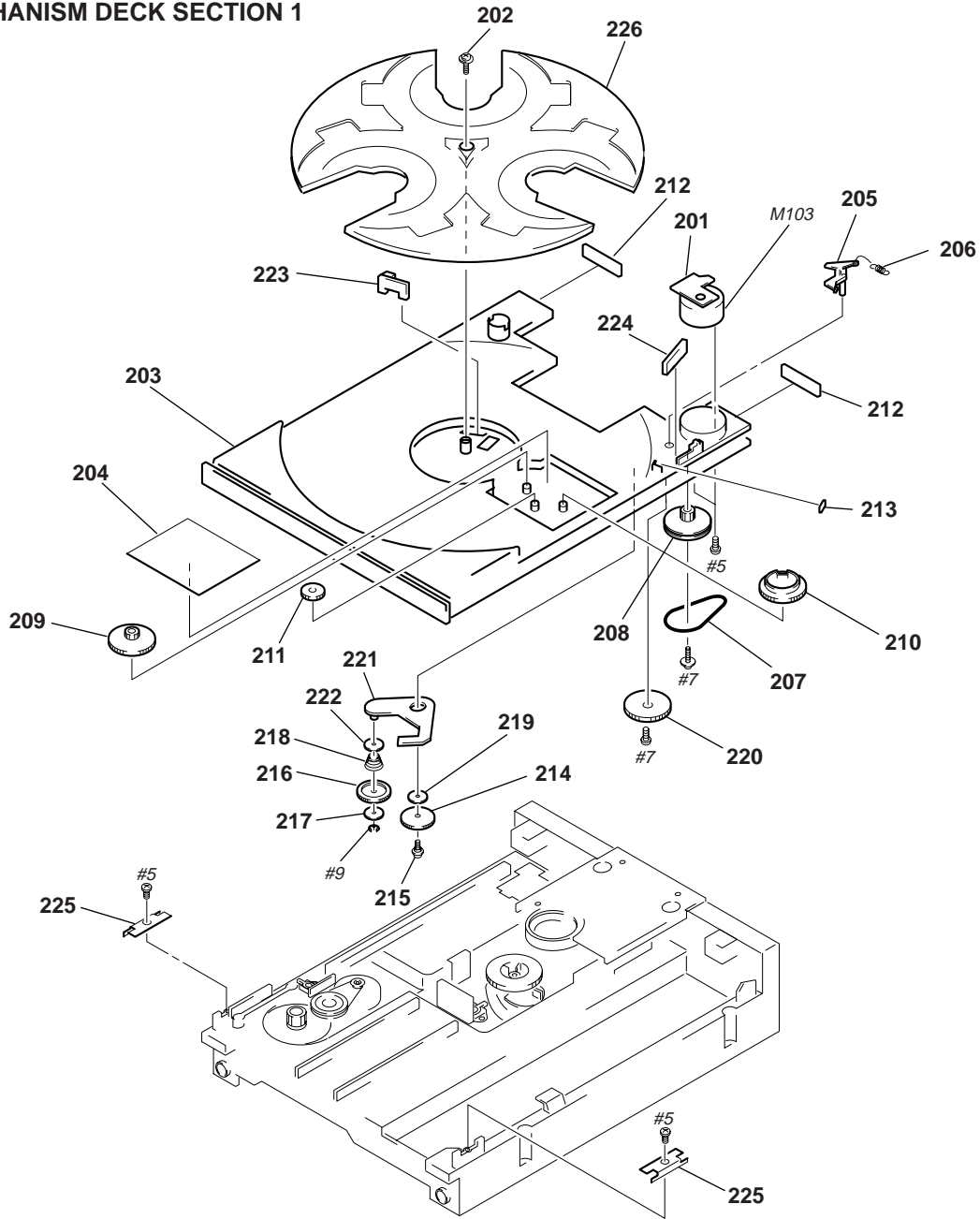
Ref. No.	Part No.	Description	Remarks	Ref. No.	Part No.	Description	Remarks
51	4-210-586-01	WINDOW (R), CASSETTE		70	4-210-561-01	KNOB, JOG	
52	4-210-588-01	DOOR (R), CASSETTE		71	4-210-563-01	RING, JOG	
53	4-210-577-01	SPRING (R), CASSETTE		72	4-210-593-01	PLATE, DISPLAY	
54	4-210-572-01	HOLDER (R), CASSETTE		73	4-210-558-01	BUTTON, SURROUND	
55	4-210-585-01	WINDOW (L), CASSETTE		74	4-210-557-01	BUTTON, NEXT	
56	4-210-587-01	DOOR (L), CASSETTE		75	4-210-555-01	BUTTON, FUNCTION	
57	4-210-576-01	SPRING (L), CASSETTE		76	4-210-559-01	BUTTON, UP/DOWN	
58	4-210-571-01	HOLDER (L), CASSETTE		77	4-210-552-01	PANEL (B), FRONT	
59	4-992-154-01	RUBBER, FOOT		78	4-210-574-01	WASHER (9Q), VOLUME	
60	4-210-592-01	WINDOW, DISPLAY		79	4-210-578-01	SPRING, EJECT LEVER	
61	4-210-581-01	HOLDER, CD BUTTON		80	4-210-575-01	LEVER, EJECT	
62	4-962-708-01	EMBLEM (4-A), SONY		81	4-210-573-01	HOLDER, EJECT	
63	4-992-131-01	DAMPER (GRY), GEAR		82	4-210-551-01	PANEL (A), FRONT	
64	4-210-553-01	BUTTON, POWER		* 83	A-4405-479-A	PANEL BOARD, COMPLETE (US,CND,MX)	
65	4-210-554-01	BUTTON, CLOCK		* 83	A-4405-485-A	PANEL BOARD, COMPLETE (E,AUS,SP,MY,TW)	
66	4-210-570-01	BUTTON (B), CD		* 84	1-670-441-11	VOLUME BOARD	
67	4-210-556-01	BUTTON, MODE		* 85	A-4414-609-A	DECK BOARD, COMPLETE	
68	4-210-560-01	BUTTON, REC		* 86	1-670-443-11	CD BUTTON BOARD	
69	4-210-562-01	KNOB, VOLUME					

6-3. CASSETTE MECHANISM DECK SECTION



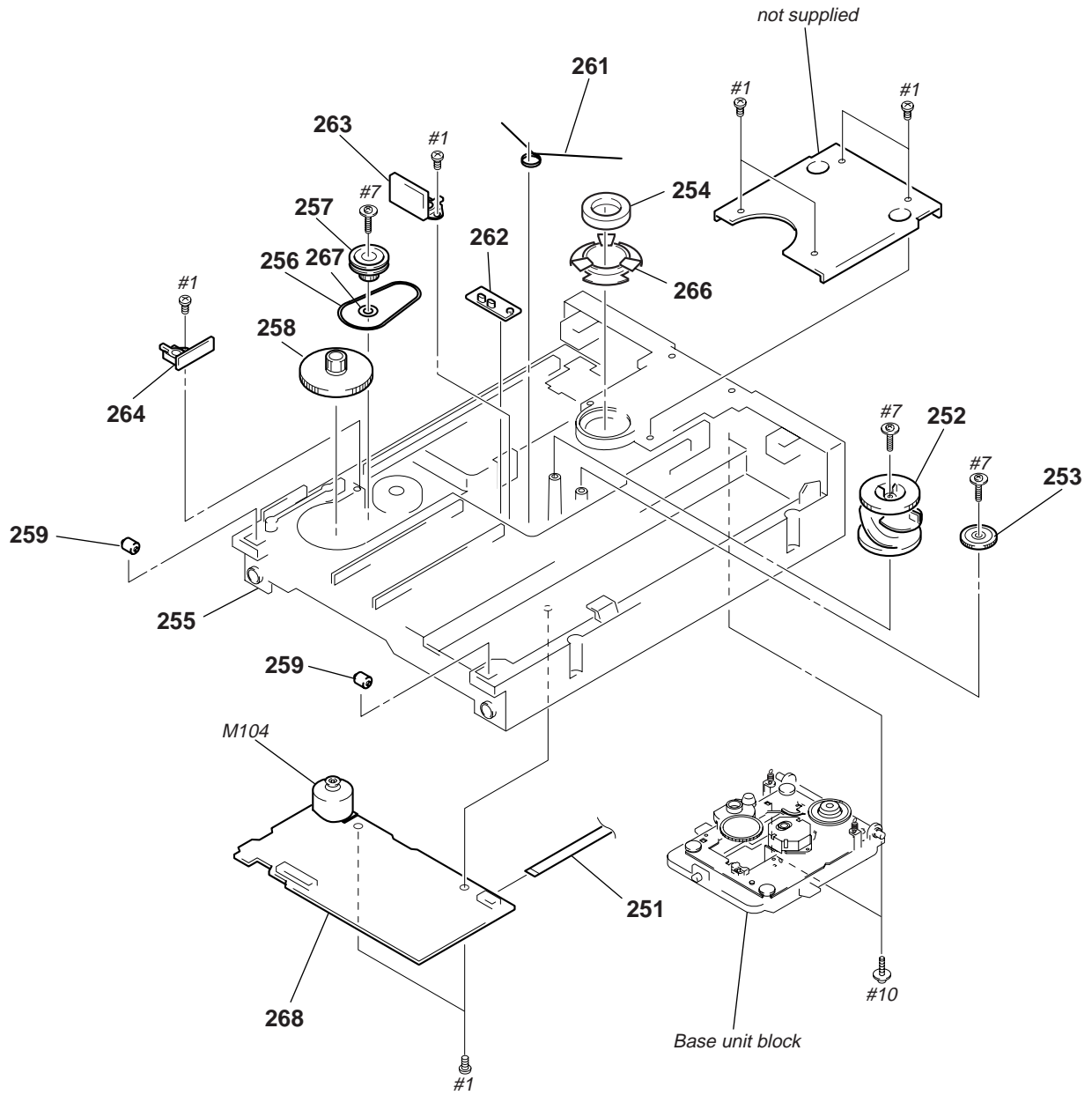
Ref. No.	Part No.	Description	Remarks	Ref. No.	Part No.	Description	Remarks
151	1-759-633-11	DECK, MECHANICAL		158	9-880-890-01	PLUNGER	
152	9-880-883-01	HOLDER HEAD ASSY		159	9-880-891-01	MODE SW	
153	9-880-884-01	FRAME HEAD		160	9-880-892-01	SWITCH LEAF	
154	9-880-885-01	SPRING AZIMUTH		161	9-880-893-01	BELT	
155	9-880-886-01	ARM PINCH L ASSY		162	9-880-894-01	HOLDER HEAD ASSY	
156	9-880-887-01	ARM PINCH R ASSY		163	9-880-895-01	BELT	
157	9-880-889-01	COIL ASSY		164	9-880-896-01	MOTOR ASSY	

6-4. CD MECHANISM DECK SECTION 1



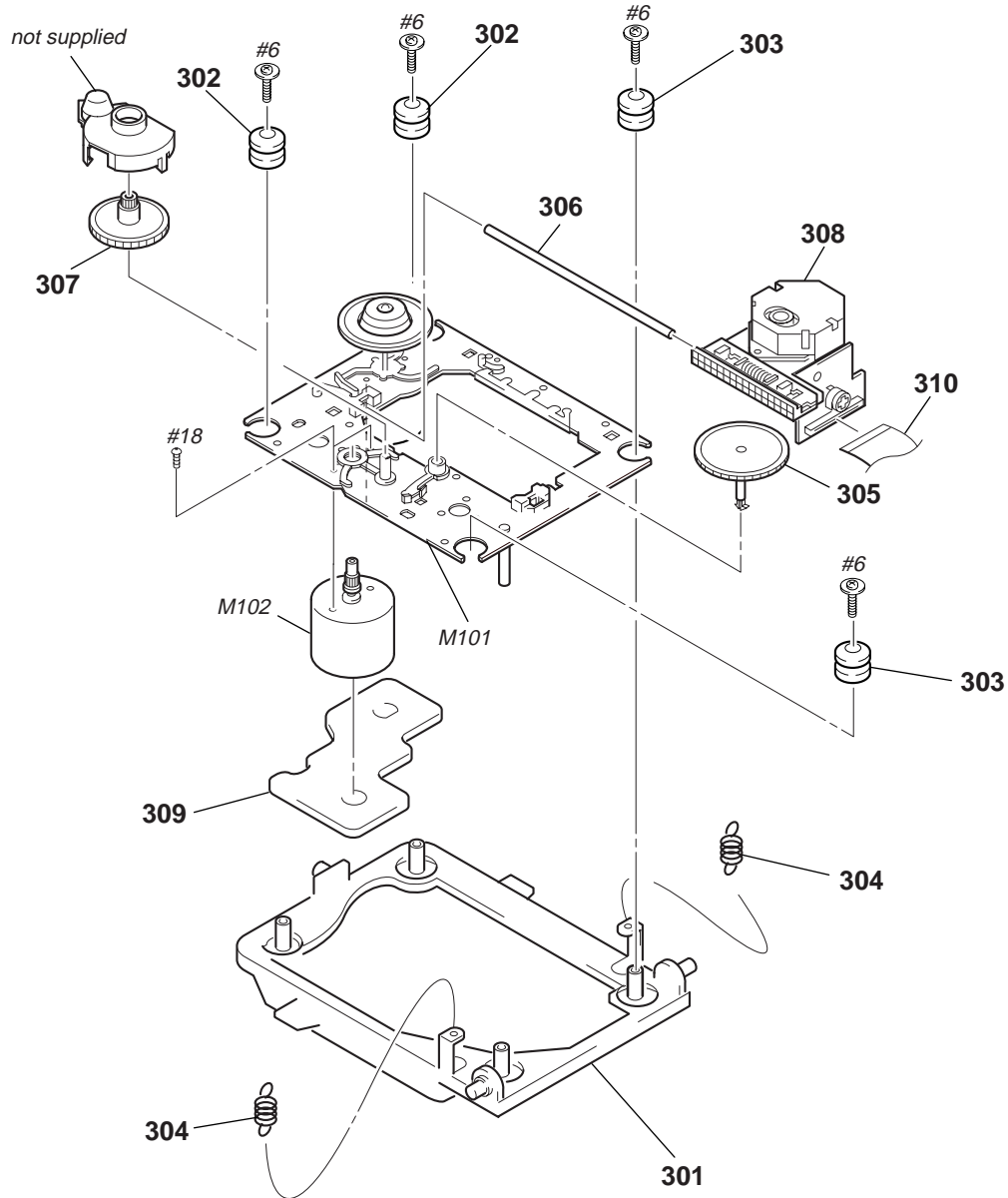
Ref. No.	Part No.	Description	Remarks	Ref. No.	Part No.	Description	Remarks
* 201	1-670-801-11	MOTOR BOARD		215	4-992-183-01	SCREW, RELAY GEAR (B)	
202	3-669-480-11	+ PTPWH 2		216	4-992-174-01	GEAR, CHANGE	
203	4-992-168-01	TRAY, CHANGER BASE		217	4-992-184-01	WASHER, CHANGE GEAR	
204	4-992-180-01	PLATE, BLIND		218	4-992-176-01	SPRING, CHANGE GEAR	
205	4-992-181-01	LEVER, SENSOR (SW)		219	4-992-185-01	WASHER, CHANGE PLATE	
206	4-992-182-01	SPRING, SENSOR (SW) LEVER		220	4-992-172-01	GEAR (A), RELAY	
207	4-992-170-01	BELT, LOADING		* 221	4-993-032-01	PLATE, CHANGE	
208	4-992-171-01	PULLEY, GEAR		222	4-993-033-01	WASHER, POLY ETHYLENE	
209	4-992-179-01	GEAR, TR		* 223	1-670-798-11	SW (B) BOARD	
210	4-992-177-01	GEAR, TR LOCK		* 224	1-670-797-11	SW (A) BOARD	
211	4-992-178-01	GEAR (C), RELAY		* 225	4-993-034-01	GUIDE, RAIL	
212	4-992-187-01	CUSHION		226	4-993-140-01	TURN TABLE	
213	4-992-186-01	CUSHION, SW LEVER		M103	X-4948-765-1	MOTOR ASSY (TURN TABLE)	
214	4-992-173-01	GEAR (B), RELAY					

6-5. CD MECHANISM DECK SECTION 2



Ref. No.	Part No.	Description	Remarks	Ref. No.	Part No.	Description	Remarks
251	1-769-856-11	WIRE (FLAT TYPE) (5 CORE)		261	4-992-192-01	SPRING, BRAKE CAM	
252	4-992-190-01	UD-CAM		262	4-992-193-01	LEVER, SW	
253	4-992-191-01	UD-GEAR		* 263	1-670-800-11	SW (D) BOARD	
254	4-992-195-01	MAGNET		* 264	1-670-799-11	SW (C) BOARD	
* 255	4-992-196-01	CHASSIS, MAIN		266	4-992-194-01	CLAMP	
256	4-992-197-01	BELT, LOADING GEAR		267	4-992-201-01	WASHER, POLYETHYLENE	
257	4-992-198-01	PULLEY (B), GEAR		* 268	A-4414-924-A	CD DECODER BOARD, COMPLETE	
258	4-992-199-01	GEAR, SLIDE		M104	X-4948-766-1	MOTOR ASSY (A) (TRAY)	
259	4-992-200-01	ROLLER					

6-6. BASE UNIT SECTION (KSM-213BCM)



Ref. No.	Part No.	Description	Remarks	Ref. No.	Part No.	Description	Remarks
301	4-992-164-01	BASE, KSM MECHANICAL		307	2-627-003-02	GEAR (B)	
302	4-992-165-01	DAMPER (GREEN)		△ 308	8-848-379-31	OPTICAL PICK-UP KSS-213B/S-N	
303	4-992-166-01	DAMPER (RED)		* 309	1-639-678-12	MOTOR (6P)(S) BOARD	
304	4-992-167-01	SPRING, MECHANICAL BASE		310	1-783-740-11	WIRE (FLAT TYPE) (16 CORE)	
305	2-626-907-01	GEAR (A) (S)		M101	X-2625-877-1	MOTOR ASSY (SPINDLE)	
306	2-626-908-01	SHAFT, SLED		M102	X-2625-769-1	MOTOR ASSY (SLED)	

The components identified by mark △ or dotted line with mark △ are critical for safety. Replace only with part number specified.

Les composants identifiés par une marque △ sont critiques pour la sécurité. Ne les remplacer que par une pièce portant le numéro spécifié.

SECTION 7 ELECTRICAL PARTS LIST

AMP

NOTE:

When indicating parts by reference number, please include the board name.

The components identified by mark Δ or dotted line with mark Δ are critical for safety. Replace only with part number specified.

Les composants identifiés par une marque Δ sont critiques pour la sécurité. Ne les remplacer que par une pièce portant le numéro spécifié.

- Abbreviation
 CND : Canadian TW : Taiwan
 AUS : Australian AR : Argentine
 MX : Mexico SP : Singapore
 MY : Malaysia

- Due to standardization, replacements in the parts list may be different from the parts specified in the diagrams or the components used on the set.
- -XX, -X mean standardized parts, so they may have some difference from the original one.
- Items marked "*" are not stocked since they are seldom required for routine service. Some delay should be anticipated when ordering these items.
- CAPACITORS:
 uF: μ F

- RESISTORS
 All resistors are in ohms.
 METAL: metal-film resistor
 METAL OXIDE: Metal Oxide-film resistor
 F: nonflammable
- COILS
 uH: μ H
- SEMICONDUCTORS
 In each case, u: μ , for example:
 uA...: μ A... , uPA... , μ PA... ,
 uPB... , μ PB... , uPC... , μ PC... ,
 uPD... , μ PD...

Ref. No.	Part No.	Description	Remarks	Ref. No.	Part No.	Description	Remarks
*	A-4405-477-A	AMP BOARD, COMPLETE *****		C763	1-161-055-00	CERAMIC	0.022uF 10% 50V
				C768	1-161-055-00	CERAMIC	0.022uF 10% 50V
				C770	1-126-967-11	ELECT	47uF 20% 50V
				C775	1-107-712-11	ELECT	3.3uF 20% 50V
				C776	1-161-055-00	CERAMIC	0.022uF 10% 50V
*	1-533-293-11	FUSE HOLDER < CAPACITOR >		C777	1-161-055-00	CERAMIC	0.022uF 10% 50V
	C705	1-126-961-11 ELECT	2.2uF 20% 50V	C778	1-126-960-11 ELECT	1uF 20% 50V	
	C706	1-126-961-11 ELECT	2.2uF 20% 50V	C781	1-126-933-11 ELECT	100uF 20% 16V	
	C707	1-162-302-11 CERAMIC	0.0022uF 20% 16V	C782	1-126-949-11 ELECT	220uF 20% 35V	
	C709	1-126-967-11 ELECT	47uF 20% 16V	C783	1-161-055-00 CERAMIC	0.022uF 10% 50V	
	C710	1-126-967-11 ELECT	47uF 20% 16V				
	C711	1-126-968-11 ELECT	100uF 20% 50V	C784	1-161-055-00 CERAMIC	0.022uF 10% 50V	
	C712	1-126-967-11 ELECT	47uF 20% 16V	C785	1-161-055-00 CERAMIC	0.022uF 10% 50V	
	C715	1-126-967-11 ELECT	47uF 20% 16V			< CONNECTOR >	
	C716	1-126-964-11 ELECT	10uF 20% 50V				
	C719	1-137-150-11 FILM	0.01uF 5% 100V	CN703	1-564-510-11	PLUG, CONNECTOR 7P	
	C720	1-137-150-11 FILM	0.01uF 5% 100V			< DIODE >	
	C721	1-137-354-11 FILM	0.1uF 5% 100V	D701	8-719-025-88	DIODE GBU4JL-6088	
	C722	1-137-354-11 FILM	0.1uF 5% 100V	D705	8-719-031-85	DIODE 1N4002L	
	C723	1-126-961-11 ELECT	2.2uF 20% 50V	D706	8-719-031-85	DIODE 1N4002L	
	C724	1-137-150-11 FILM	0.01uF 5% 100V	D707	8-719-031-85	DIODE 1N4002L	
	C725	1-126-235-11 ELECT	100uF 20% 16V	D708	8-719-031-85	DIODE 1N4002L	
	C726	1-126-967-11 ELECT	47uF 20% 16V				
	C730	1-126-963-11 ELECT	4.7uF 20% 50V	D711	8-719-110-31	DIODE RD12ES-B2	
	C735	1-162-282-31 CERAMIC	100PF 10% 50V	D712	8-719-921-67	DIODE MTZJ-8.2B	
	C736	1-162-282-31 CERAMIC	100PF 10% 50V	D713	8-719-982-15	DIODE MTZJ-27B	
	C741	1-117-750-11 ELECT	3300uF 20% 63V	D714	8-719-010-34	DIODE UZ-4.7BSC	
	C742	1-117-750-11 ELECT	3300uF 20% 63V	D715	8-719-911-19	DIODE 1SS119	
	C743	1-137-354-11 FILM	0.1uF 5% 100V				
	C744	1-137-354-11 FILM	0.1uF 5% 100V	D716	8-719-911-19	DIODE 1SS119	
	C745	1-137-354-11 FILM	0.1uF 5% 100V	D717	8-719-911-19	DIODE 1SS119	
	C746	1-137-354-11 FILM	0.1uF 5% 100V	D718	8-719-911-19	DIODE 1SS119	
	C748	1-161-055-00 CERAMIC	0.022uF 10% 50V	D720	8-719-031-85	DIODE 1N4002L	
	C749	1-161-055-00 CERAMIC	0.022uF 10% 50V	D721	8-719-911-19	DIODE 1SS119	
	C750	1-126-943-11 ELECT	2200uF 20% 25V				
	C752	1-126-933-11 ELECT	100uF 20% 16V	D731	8-719-031-85	DIODE 1N4002L	
	C753	1-161-055-00 CERAMIC	0.022uF 10% 50V	D732	8-719-031-85	DIODE 1N4002L	
	C754	1-161-055-00 CERAMIC	0.022uF 10% 50V			< FUSE >	
	C755	1-126-948-11 ELECT	100uF 20% 35V	Δ F701	1-576-104-11	FUSE 2A/250V (US,CND,AUS)	
	C756	1-126-948-11 ELECT	100uF 20% 35V			< IC >	
	C757	1-161-055-00 CERAMIC	0.022uF 10% 50V				
	C758	1-126-949-11 ELECT	220uF 20% 35V	IC401	8-749-900-34	IC STK-4182MK2	
	C759	1-161-055-00 CERAMIC	0.022uF 10% 50V	IC402	8-759-111-68	IC UPC1237HA	
	C760	1-126-933-11 ELECT	100uF 20% 16V				
	C761	1-161-055-00 CERAMIC	0.022uF 10% 50V				
	C762	1-126-935-11 ELECT	470uF 20% 16V				

The components identified by mark Δ or dotted line with mark Δ are critical for safety. Replace only with part number specified.

Les composants identifiés par une marque Δ sont critiques pour la sécurité. Ne les remplacer que par une pièce portant le numéro spécifié.

AMP	CD BUTTON	CD DECODER
------------	------------------	-------------------

Ref. No.	Part No.	Description	Remarks
		< TERMINAL >	
JK703	1-694-443-11	TERMINAL BOARD	
		< TRANSISTOR >	
Q701	8-729-188-23	TRANSISTOR 2SD882-P	
Q702	8-729-188-23	TRANSISTOR 2SD882-P	
Q703	8-729-232-32	TRANSISTOR 2SA965	
Q706	8-729-194-57	TRANSISTOR 2SC945-P	
Q707	8-729-194-57	TRANSISTOR 2SC945-P	
Q708	8-729-119-76	TRANSISTOR 2SA1175-HFE	
Q709	8-729-231-55	TRANSISTOR 2SC2878-AB	
Q710	8-729-231-55	TRANSISTOR 2SC2878-AB	
		< RESISTOR >	
R705	1-249-438-11	CARBON 56K 5%	1/4W
R706	1-249-438-11	CARBON 56K 5%	1/4W
R707	1-249-466-11	CARBON 56K 5%	1/4W
R708	1-249-466-11	CARBON 56K 5%	1/4W
R709	1-247-128-00	CARBON 750 1%	1/4W
R710	1-247-128-00	CARBON 750 1%	1/4W
R711	1-260-103-11	CARBON 2.2K 5%	1/2W
R712	1-260-103-11	CARBON 2.2K 5%	1/2W
R713	1-249-405-11	CARBON 100 5%	1/4W F
R714	1-249-405-11	CARBON 100 5%	1/4W F
R715	1-247-717-11	CARBON 2.2K 5%	1/4W F
R716	1-247-717-11	CARBON 2.2K 5%	1/4W F
R718	1-247-713-11	CARBON 1K 5%	1/4W F
R719	1-247-887-00	CARBON 220K 5%	1/4W
R720	1-247-887-00	CARBON 220K 5%	1/4W
R721	1-249-406-11	CARBON 120 5%	1/4W F
R722	1-249-406-11	CARBON 120 5%	1/4W F
R723	1-220-853-11	METAL 0.1 10%	2W
R724	1-220-853-11	METAL 0.1 10%	2W
R725	1-249-420-11	CARBON 1.8K 5%	1/4W F
R726	1-249-420-11	CARBON 1.8K 5%	1/4W F
R727	1-249-459-11	CARBON 12K 5%	1/4W
R728	1-249-459-11	CARBON 12K 5%	1/4W
R729	1-247-717-11	CARBON 2.2K 5%	1/4W F
R730	1-249-465-11	CARBON 47K 5%	1/4W
R731	1-247-887-00	CARBON 220K 5%	1/4W
R732	1-247-713-11	CARBON 1K 5%	1/4W F
R734	1-247-721-11	CARBON 4.7K 5%	1/4W F
R735	1-260-076-11	CARBON 10 5%	1/2W
R736	1-260-076-11	CARBON 10 5%	1/2W
R741	1-213-036-11	FUSIBLE 1 5%	1W F
R742	1-247-706-11	CARBON 330 5%	1/4W F
R743	1-247-714-11	CARBON 1.2K 5%	1/4W F
R744	1-247-708-11	CARBON 470 5%	1/4W F
R747	1-247-807-11	CARBON 100 5%	1/4W
R748	1-247-807-11	CARBON 100 5%	1/4W
R751	1-247-807-11	CARBON 100 5%	1/4W
R755	1-249-438-11	CARBON 56K 5%	1/4W
R756	1-249-438-11	CARBON 56K 5%	1/4W
R761	1-247-839-11	CARBON 2.2K 5%	1/4W
R762	1-247-839-11	CARBON 2.2K 5%	1/4W
R765	1-247-855-11	CARBON 10K 5%	1/4W
R767	1-247-839-11	CARBON 2.2K 5%	1/4W

Ref. No.	Part No.	Description	Remarks
		< RELAY >	
RL701	1-515-921-11	RELAY (12V)	

*	1-670-443-11	CD BUTTON BOARD	*****
		< LED >	
LED602	8-719-046-80	DIODE SML19416W-TP4	
LED603	8-719-046-80	DIODE SML19416W-TP4	
LED604	8-719-046-80	DIODE SML19416W-TP4	
		< RESISTOR >	
R680	1-247-841-11	CARBON 2.7K 5%	1/4W
R681	1-247-845-11	CARBON 3.9K 5%	1/4W F
R682	1-247-851-11	CARBON 6.8K 5%	1/4W
R683	1-247-859-11	CARBON 15K 5%	1/4W
R684	1-247-869-11	CARBON 39K 5%	1/4W
		< SWITCH >	
S624	1-762-875-11	SWITCH, KEYBOARD (DISK 1)	
S625	1-762-875-11	SWITCH, KEYBOARD (DISK 2)	
S626	1-762-875-11	SWITCH, KEYBOARD (DISK 3)	
S627	1-762-875-11	SWITCH, KEYBOARD (DISK SKIP)	
S628	1-762-875-11	SWITCH, KEYBOARD (OPEN/EJECT)	

*	A-4414-924-A	CD DECODER BOARD, COMPLETE	*****
		< CAPACITOR >	
C02	1-126-963-11	ELECT 4.7uF 20%	50V
C03	1-126-933-11	ELECT 100uF 20%	10V
C04	1-162-306-11	CERAMIC 0.01uF 20%	16V
C04A	1-164-159-11	CERAMIC 0.1uF	50V
C05	1-136-159-00	FILM 0.033uF 5%	50V
C06	1-162-306-11	CERAMIC 0.01uF 20%	16V
C07	1-136-159-00	FILM 0.033uF 5%	50V
C07A	1-162-199-31	CERAMIC 10PF 5%	50V
C08	1-161-494-00	CERAMIC 0.022uF	25V
C09	1-126-959-11	ELECT 0.47uF 20%	50V
C10	1-162-306-11	CERAMIC 0.01uF 20%	16V
C11	1-126-933-11	ELECT 100uF 20%	10V
C11A	1-164-159-11	CERAMIC 0.1uF	50V
C12	1-162-306-11	CERAMIC 0.01uF 20%	16V
C13	1-164-159-11	CERAMIC 0.1uF	50V
C14	1-162-302-11	CERAMIC 0.0022uF 30%	16V
C15	1-164-159-11	CERAMIC 0.1uF	50V
C16	1-136-159-00	FILM 0.033uF 5%	50V
C17	1-136-165-00	FILM 0.1uF 5%	50V
C18	1-164-159-11	CERAMIC 0.1uF	50V
C19	1-126-963-11	ELECT 4.7uF 20%	50V
C20	1-162-306-11	CERAMIC 0.01uF 20%	16V
C21	1-136-157-00	FILM 0.022uF 5%	50V
C22	1-126-933-11	ELECT 100uF 20%	10V
C23	1-164-159-11	CERAMIC 0.1uF	50V
C24	1-126-965-11	ELECT 22uF 20%	50V
C25	1-126-960-11	ELECT 1uF 20%	50V
C26	1-161-494-00	CERAMIC 0.022uF	25V
C27	1-162-306-11	CERAMIC 0.01uF 20%	16V
C28	1-164-159-11	CERAMIC 0.1uF	50V

CD DECODER

Ref. No.	Part No.	Description	Remarks	Ref. No.	Part No.	Description	Remarks
C30	1-126-933-11	ELECT	100uF 20% 10V			< COIL >	
C30A	1-164-159-11	CERAMIC	0.1uF 50V				
C31	1-162-600-11	CERAMIC	0.0047uF 30% 16V				
C32	1-162-301-11	CERAMIC	0.0015uF 30% 16V	L01	1-410-509-11	INDUCTOR 10uH	
C33	1-162-306-11	CERAMIC	0.01uF 20% 16V			< TRANSISTOR >	
C34	1-162-286-31	CERAMIC	220PF 10% 50V	Q01	8-729-195-23	TRANSISTOR 2SA952	
C35	1-162-306-11	CERAMIC	0.01uF 20% 16V	Q02	8-729-195-23	TRANSISTOR 2SA952	
C36	1-126-963-11	ELECT	4.7uF 20% 50V	Q04	8-729-194-57	TRANSISTOR 2SC945-P	
C37	1-164-159-11	CERAMIC	0.1uF 50V	Q11	8-729-195-23	TRANSISTOR 2SA952	
C37A	1-126-925-11	ELECT	470uF 20% 10V			< RESISTOR >	
C38	1-102-958-00	CERAMIC	20PF 5% 50V	R01	1-249-459-11	CARBON 12K 5% 1/4W	
C39	1-102-958-00	CERAMIC	20PF 5% 50V	R02	1-249-430-11	CARBON 12K 5% 1/4W	
C41A	1-162-294-31	CERAMIC	0.001uF 10% 50V	R03	1-249-397-11	CARBON 22 5% 1/4W	F
C42A	1-162-294-31	CERAMIC	0.001uF 10% 50V	R04A	1-249-409-11	CARBON 220 5% 1/4W	
C44A	1-162-294-31	CERAMIC	0.001uF 10% 50V	R05	1-247-863-11	CARBON 22K 5% 1/4W	
C45	1-126-934-11	ELECT	220uF 20% 10V	R06	1-247-847-11	CARBON 4.7K 5% 1/4W	
C46	1-126-933-11	ELECT	100uF 20% 10V	R07	1-249-430-11	CARBON 12K 5% 1/4W	
C51	1-162-288-31	CERAMIC	330PF 10% 50V	R07A	1-249-430-11	CARBON 12K 5% 1/4W	
C51A	1-126-959-11	ELECT	0.47uF 20% 50V	R07B	1-249-430-11	CARBON 12K 5% 1/4W	
C52	1-162-288-31	CERAMIC	330PF 10% 50V	R08	1-249-460-11	CARBON 15K 5% 1/4W	
C53	1-162-284-31	CERAMIC	150PF 10% 50V	R09	1-249-460-11	CARBON 15K 5% 1/4W	
C54	1-162-284-31	CERAMIC	150PF 10% 50V	R09A	1-247-847-11	CARBON 4.7K 5% 1/4W	
C55	1-162-284-31	CERAMIC	150PF 10% 50V	R10	1-247-718-11	CARBON 2.7K 5% 1/4W	F
C56	1-162-284-31	CERAMIC	150PF 10% 50V	R11	1-249-438-11	CARBON 56K 5% 1/4W	
C57	1-126-961-11	ELECT	2.2uF 20% 50V	R12	1-247-879-11	CARBON 100K 5% 1/4W	
C58	1-126-961-11	ELECT	2.2uF 20% 50V	R13	1-247-896-11	CARBON 510K 5% 1/4W	
C59	1-162-294-31	CERAMIC	0.001uF 10% 50V	R13A	1-247-861-11	CARBON 18K 5% 1/4W	
C60	1-162-294-31	CERAMIC	0.001uF 10% 50V	R14	1-247-879-11	CARBON 100K 5% 1/4W	
C81	1-164-159-11	CERAMIC	0.1uF 50V	R14A	1-247-861-11	CARBON 18K 5% 1/4W	
C83	1-164-159-11	CERAMIC	0.1uF 50V	R15	1-247-881-00	CARBON 120K 5% 1/4W	
C84	1-162-282-31	CERAMIC	100PF 10% 50V	R16	1-247-887-00	CARBON 220K 5% 1/4W	
C85	1-162-292-31	CERAMIC	680PF 10% 50V	R17	1-247-879-11	CARBON 100K 5% 1/4W	
C86	1-162-282-31	CERAMIC	100PF 10% 50V	R18	1-249-428-11	CARBON 8.2K 5% 1/4W	F
C86A	1-161-494-00	CERAMIC	0.022uF 25V	R19	1-249-431-11	CARBON 15K 5% 1/4W	
C87	1-162-282-31	CERAMIC	100PF 10% 50V	R21	1-247-863-11	CARBON 22K 5% 1/4W	
C88	1-162-282-31	CERAMIC	100PF 10% 50V	R22	1-247-879-11	CARBON 100K 5% 1/4W	
C90	1-161-494-00	CERAMIC	0.022uF 25V	R23	1-249-430-11	CARBON 12K 5% 1/4W	
C90A	1-164-159-11	CERAMIC	0.1uF 50V	R24	1-247-883-00	CARBON 150K 5% 1/4W	
C98	1-161-494-00	CERAMIC	0.022uF 25V	R25	1-247-879-11	CARBON 100K 5% 1/4W	
		< CONNECTOR >		R26	1-247-855-11	CARBON 10K 5% 1/4W	
CN01	1-580-475-11	SOCKET, CONNECTOR 16P		R27	1-249-430-11	CARBON 12K 5% 1/4W	
CN05	1-564-721-11	PIN, CONNECTOR (SMALL TYPE) 5P		R28	1-247-855-11	CARBON 10K 5% 1/4W	
CN06	1-695-366-21	PIN, CONNECTOR (PC BOARD) 5P		R29	1-247-843-11	CARBON 3.3K 5% 1/4W	
CN09	1-770-528-31	PIN, CONNECTOR (PC BOARD) 21P		R30	1-247-843-11	CARBON 3.3K 5% 1/4W	
		< DIODE >		R31	1-247-855-11	CARBON 10K 5% 1/4W	
D01	8-719-911-19	DIODE 1SS119-25		R32	1-247-903-00	CARBON 1M 5% 1/4W	
D04	8-719-921-41	DIODE 1SS133T		R33	1-247-855-11	CARBON 10K 5% 1/4W	
D04A	8-719-991-33	DIODE 1SS176		R34	1-247-879-11	CARBON 100K 5% 1/4W	
		< IC >		R35	1-247-847-11	CARBON 4.7K 5% 1/4W	
IC01	8-752-069-56	IC CXA1782BQ		R36	1-247-847-11	CARBON 4.7K 5% 1/4W	
IC02	8-759-388-27	IC TC9173P		R37	1-247-807-11	CARBON 100 5% 1/4W	
IC03	8-759-429-31	IC BA5941FP		R38	1-247-807-11	CARBON 100 5% 1/4W	
IC04	8-752-373-06	IC CXD2508AQ		R39	1-247-847-11	CARBON 4.7K 5% 1/4W	
IC05	8-759-505-55	IC NJM4558L		R41	1-247-807-11	CARBON 100 5% 1/4W	
IC06	8-759-505-55	IC NJM4558L		R42	1-247-807-11	CARBON 100 5% 1/4W	
				R44	1-247-807-11	CARBON 100 5% 1/4W	
				R50	1-247-847-11	CARBON 4.7K 5% 1/4W	

CD DECODER

DECK

Ref. No.	Part No.	Description	Remarks
R52	1-247-721-11	CARBON 4.7K 5%	1/4W F
R53	1-249-411-11	CARBON 330 5%	1/4W
R56	1-247-847-11	CARBON 4.7K 5%	1/4W
R57	1-249-427-11	CARBON 6.8K 5%	1/4W F
R58	1-249-442-11	CARBON 510 5%	1/4W
R59	1-247-903-00	CARBON 1M 5%	1/4W
R61	1-247-855-11	CARBON 10K 5%	1/4W
R62	1-247-855-11	CARBON 10K 5%	1/4W
R63	1-247-855-11	CARBON 10K 5%	1/4W
R64	1-247-855-11	CARBON 10K 5%	1/4W
R65	1-247-864-11	CARBON 24K 5%	1/4W
R66	1-247-864-11	CARBON 24K 5%	1/4W
R67	1-247-864-11	CARBON 24K 5%	1/4W
R68	1-247-864-11	CARBON 24K 5%	1/4W
R69	1-249-430-11	CARBON 12K 5%	1/4W
R70	1-249-430-11	CARBON 12K 5%	1/4W
R71	1-249-430-11	CARBON 12K 5%	1/4W
R72	1-249-430-11	CARBON 12K 5%	1/4W
R73	1-247-839-11	CARBON 2.2K 5%	1/4W
R74	1-247-839-11	CARBON 2.2K 5%	1/4W
R75	1-247-847-11	CARBON 4.7K 5%	1/4W
R76	1-247-847-11	CARBON 4.7K 5%	1/4W
R79	1-249-405-11	CARBON 100 5%	1/4W F
R80	1-247-883-00	CARBON 150K 5%	1/4W
R81	1-247-807-11	CARBON 100 5%	1/4W
R82	1-247-807-11	CARBON 100 5%	1/4W
R83	1-249-469-11	CARBON 100K 5%	1/4W
R84	1-249-465-11	CARBON 47K 5%	1/4W
R85	1-249-465-11	CARBON 47K 5%	1/4W
R86	1-249-465-11	CARBON 47K 5%	1/4W
R87	1-249-465-11	CARBON 47K 5%	1/4W
R88	1-249-469-11	CARBON 100K 5%	1/4W
R89	1-247-839-11	CARBON 2.2K 5%	1/4W
R90	1-247-839-11	CARBON 2.2K 5%	1/4W
R90B	1-247-831-11	CARBON 1K 5%	1/4W
R91	1-247-839-11	CARBON 2.2K 5%	1/4W
R92	1-247-839-11	CARBON 2.2K 5%	1/4W
R93	1-249-420-11	CARBON 1.8K 5%	1/4W F
R94	1-249-420-11	CARBON 1.8K 5%	1/4W F
< VARIABLE RESISTOR >			
VR01	1-228-996-00	RES, ADJ, METAL 47K	
VR02	1-228-998-00	RES, ADJ, METAL 220K	
< CRYSTAL >			
XTL01	1-760-123-11	VIBRATOR, CRYSTAL 33.8688MHz	

* A-4414-609-A	DECK BOARD, COMPLETE		

< CAPACITOR >			
C201	1-162-292-31	CERAMIC 680PF 10%	50V
C202	1-162-292-31	CERAMIC 680PF 10%	50V
C203	1-162-292-31	CERAMIC 680PF 10%	50V
C204	1-162-292-31	CERAMIC 680PF 10%	50V
C205	1-162-286-31	CERAMIC 220PF 10%	50V
C206	1-162-286-31	CERAMIC 220PF 10%	50V
C207	1-162-286-31	CERAMIC 220PF 10%	50V
C208	1-162-286-31	CERAMIC 220PF 10%	50V

Ref. No.	Part No.	Description	Remarks
C209	1-126-933-11	ELECT 100uF 20%	10V
C210	1-126-933-11	ELECT 100uF 20%	10V
C211	1-161-054-00	CERAMIC 0.018uF 10%	25V
C212	1-161-054-00	CERAMIC 0.018uF 10%	25V
C213	1-126-960-11	ELECT 1uF 20%	50V
C214	1-126-960-11	ELECT 1uF 20%	50V
C215	1-162-301-11	CERAMIC 0.0015uF 30%	16V
C216	1-162-301-11	CERAMIC 0.0015uF 30%	16V
C217	1-126-967-11	ELECT 47uF 20%	16V
C218	1-126-940-11	ELECT 330uF 20%	16V
C219	1-126-962-11	ELECT 3.3uF 20%	50V
C221	1-126-962-11	ELECT 3.3uF 20%	50V
C222	1-126-962-11	ELECT 3.3uF 20%	50V
C223	1-162-290-31	CERAMIC 470PF 10%	50V
C224	1-162-290-31	CERAMIC 470PF 10%	50V
C225	1-164-736-31	CERAMIC 0.0012uF 10%	50V
C226	1-164-736-31	CERAMIC 0.0012uF 10%	50V
C227	1-162-286-31	CERAMIC 220PF 10%	50V
C228	1-162-286-31	CERAMIC 220PF 10%	50V
C229	1-126-933-11	ELECT 100uF 20%	16V
C230	1-126-933-11	ELECT 100uF 20%	16V
C231	1-126-962-11	ELECT 3.3uF 20%	50V
C232	1-126-962-11	ELECT 3.3uF 20%	50V
C233	1-162-294-31	CERAMIC 0.001uF 10%	50V
C234	1-162-294-31	CERAMIC 0.001uF 10%	50V
C237	1-161-494-00	CERAMIC 0.022uF	25V
C238	1-126-961-11	ELECT 2.2uF 20%	50V
C251	1-137-351-11	FILM 0.022uF 5%	100V
C252	1-137-350-11	FILM 0.015uF 5%	100V
C253	1-137-150-11	FILM 0.01uF 5%	100V
C254	1-130-479-00	MYLAR 0.0047uF 5%	50V
C255	1-126-967-11	ELECT 47uF 20%	16V
C501	1-126-934-11	ELECT 220uF 20%	16V
C502	1-126-960-11	ELECT 1uF 20%	50V
C503	1-162-286-31	CERAMIC 220PF 10%	50V
C504	1-162-286-31	CERAMIC 220PF 10%	50V
C505	1-162-286-31	CERAMIC 220PF 10%	50V
C506	1-126-959-11	ELECT 0.47 20%	50V
C507	1-126-959-11	ELECT 0.47 20%	50V
C551	1-162-306-11	CERAMIC 0.01uF 20%	16V
C553	1-126-960-11	ELECT 1uF 20%	50V
C554	1-126-956-11	ELECT 0.1uF 20%	50V
C555	1-126-960-11	ELECT 1uF 20%	50V
C556	1-126-933-11	ELECT 100uF 20%	16V
< CONNECTOR >			
* CN603	1-568-273-11	SOCKET, CONNECTOR 7P	
< DIODE >			
D201	8-719-911-19	DIODE 1SS119	
D202	8-719-911-19	DIODE 1SS119	
D501	8-719-911-19	DIODE 1SS119	
D502	8-719-911-19	DIODE 1SS119	
D551	8-719-911-19	DIODE 1SS119	
D552	8-719-911-19	DIODE 1SS119	
< IC >			
IC201	8-759-242-58	IC TA8189N	
IC501	8-759-234-75	IC TC74HC4094AP	

DECK

Ref. No.	Part No.	Description	Remarks	Ref. No.	Part No.	Description	Remarks
IC502	8-759-916-52	IC SN74HC165AN		R233	1-247-863-11	CARBON 22K 5%	1/4W
		< COIL >		R234	1-247-863-11	CARBON 22K 5%	1/4W
L251	1-416-771-11	COIL (BIAS)		R235	1-247-847-11	CARBON 4.7K 5%	1/4W
		< TRANSISTOR >		R236	1-247-847-11	CARBON 4.7K 5%	1/4W
Q201	8-729-194-57	TRANSISTOR 2SC945-P		R239	1-249-381-11	CARBON 1 5%	1/4W F
Q202	8-729-194-57	TRANSISTOR 2SC945-P		R240	1-247-855-11	CARBON 10K 5%	1/4W
Q203	8-729-194-57	TRANSISTOR 2SC945-P		R241	1-247-847-11	CARBON 4.7K 5%	1/4W
Q204	8-729-194-57	TRANSISTOR 2SC945-P		R242	1-247-847-11	CARBON 4.7K 5%	1/4W
Q205	8-729-194-57	TRANSISTOR 2SC945-P		R243	1-249-430-11	CARBON 12K 5%	1/4W
Q206	8-729-194-57	TRANSISTOR 2SC945-P		R244	1-247-839-11	CARBON 2.2K 5%	1/4W
Q207	8-729-119-76	TRANSISTOR 2SA1175-HFE		R245	1-247-839-11	CARBON 2.2K 5%	1/4W
Q208	8-729-173-37	TRANSISTOR 2SA733P		R246	1-249-434-11	CARBON 27K 5%	1/4W
Q209	8-729-194-57	TRANSISTOR 2SC945-P		R252	1-249-393-11	CARBON 10 5%	1/4W F
Q213	8-729-194-57	TRANSISTOR 2SC945-P		R253	1-247-708-11	CARBON 470 5%	1/4W F
Q214	8-729-194-57	TRANSISTOR 2SC945-P		R501	1-247-713-11	CARBON 1K 5%	1/4W F
Q251	8-729-142-46	TRANSISTOR 2SC2001-LK		R502	1-249-417-11	CARBON 1K 5%	1/4W F
Q252	8-729-173-37	TRANSISTOR 2SA733P		R503	1-249-417-11	CARBON 1K 5%	1/4W F
Q253	8-729-194-57	TRANSISTOR 2SC945-P		R504	1-247-847-11	CARBON 4.7K 5%	1/4W
Q501	8-729-194-57	TRANSISTOR 2SC945-P		R505	1-249-417-11	CARBON 1K 5%	1/4W F
Q502	8-729-993-43	TRANSISTOR 2SA934R		R506	1-249-417-11	CARBON 1K 5%	1/4W F
Q503	8-729-173-37	TRANSISTOR 2SA733P		R507	1-249-417-11	CARBON 1K 5%	1/4W F
Q504	8-729-140-96	TRANSISTOR 2SD774-34		R508	1-247-847-11	CARBON 4.7K 5%	1/4W
Q505	8-729-173-37	TRANSISTOR 2SA733P		R509	1-247-839-11	CARBON 2.2K 5%	1/4W
Q506	8-729-140-96	TRANSISTOR 2SD774-34		R510	1-247-855-11	CARBON 10K 5%	1/4W
Q551	8-729-194-57	TRANSISTOR 2SC945-P		R511	1-247-855-11	CARBON 10K 5%	1/4W
Q552	8-729-194-57	TRANSISTOR 2SC945-P		R512	1-249-417-11	CARBON 1K 5%	1/4W F
		< RESISTOR >		R513	1-247-846-11	CARBON 4.3K 5%	1/4W
R201	1-249-393-11	CARBON 10 5%	1/4W F	R514	1-247-855-11	CARBON 10K 5%	1/4W
R202	1-249-393-11	CARBON 10 5%	1/4W F	R515	1-247-855-11	CARBON 10K 5%	1/4W
R203	1-247-688-11	CARBON 10 5%	1/4W F	R516	1-249-413-11	CARBON 470 5%	1/4W F
R204	1-247-688-11	CARBON 10 5%	1/4W F	R517	1-247-847-11	CARBON 4.7K 5%	1/4W
R205	1-249-401-11	CARBON 47 5%	1/4W F	R518	1-247-863-11	CARBON 22K 5%	1/4W
R206	1-247-696-11	CARBON 47 5%	1/4W F	R519	1-247-847-11	CARBON 4.7K 5%	1/4W
R207	1-249-428-11	CARBON 8.2K 5%	1/4W F	R520	1-247-847-11	CARBON 4.7K 5%	1/4W
R208	1-249-428-11	CARBON 8.2K 5%	1/4W F	R521	1-247-721-11	CARBON 4.7K 5%	1/4W F
R209	1-247-889-00	CARBON 270K 5%	1/4W	R522	1-247-721-11	CARBON 4.7K 5%	1/4W F
R210	1-247-889-00	CARBON 270K 5%	1/4W	R523	1-247-847-11	CARBON 4.7K 5%	1/4W
R211	1-247-891-00	CARBON 330K 5%	1/4W	R524	1-247-863-11	CARBON 22K 5%	1/4W
R212	1-247-891-00	CARBON 330K 5%	1/4W	R525	1-247-855-11	CARBON 10K 5%	1/4W
R213	1-247-847-11	CARBON 4.7K 5%	1/4W	R526	1-247-855-11	CARBON 10K 5%	1/4W
R214	1-247-847-11	CARBON 4.7K 5%	1/4W	R527	1-249-413-11	CARBON 470 5%	1/4W F
R215	1-247-891-00	CARBON 330K 5%	1/4W	R528	1-247-847-11	CARBON 4.7K 5%	1/4W
R216	1-247-891-00	CARBON 330K 5%	1/4W	R551	1-247-855-11	CARBON 10K 5%	1/4W
R219	1-249-430-11	CARBON 12K 5%	1/4W	R553	1-247-885-00	CARBON 180K 5%	1/4W
R220	1-249-430-11	CARBON 12K 5%	1/4W	R554	1-247-899-11	CARBON 680K 5%	1/4W
R221	1-247-855-11	CARBON 10K 5%	1/4W	R555	1-247-855-11	CARBON 10K 5%	1/4W
R222	1-247-704-11	CARBON 220 5%	1/4W F	R556	1-249-413-11	CARBON 470 5%	1/4W F
R223	1-247-885-00	CARBON 180K 5%	1/4W	R557	1-247-885-00	CARBON 180K 5%	1/4W
R224	1-247-885-00	CARBON 180K 5%	1/4W	R558	1-247-899-11	CARBON 680K 5%	1/4W
R225	1-247-863-11	CARBON 22K 5%	1/4W	R559	1-247-855-11	CARBON 10K 5%	1/4W
R226	1-247-863-11	CARBON 22K 5%	1/4W	R560	1-249-413-11	CARBON 470 5%	1/4W F
R227	1-247-881-00	CARBON 120K 5%	1/4W	R561	1-247-855-11	CARBON 10K 5%	1/4W
R228	1-247-881-00	CARBON 120K 5%	1/4W	R562	1-247-879-11	CARBON 100K 5%	1/4W
R229	1-249-420-11	CARBON 1.8K 5%	1/4W F	R563	1-247-704-11	CARBON 220 5%	1/4W F
R230	1-249-420-11	CARBON 1.8K 5%	1/4W F	R205A	1-249-409-11	CARBON 220 5%	1/4W F
R231	1-247-839-11	CARBON 2.2K 5%	1/4W	R206A	1-249-409-11	CARBON 220 5%	1/4W F
R232	1-247-839-11	CARBON 2.2K 5%	1/4W			< ADJ >	
				SFR501	1-228-991-00	RES, ADJ, METAL 2.2K	

FUSE

MAIN

Ref. No.	Part No.	Description	Remarks
*	1-670-445-11	FUSE BOARD *****	
	1-533-293-11	FUSE HOLDER < TERMINAL >	
AC1	1-535-416-00	TERMINAL	
AC2	1-535-416-00	TERMINAL	
P6	1-535-416-00	TERMINAL	
P7	1-535-416-00	TERMINAL < FUSE >	
△ F702	1-576-108-11	FUSE 4A/125V < RESISTOR >	
△ R001	1-202-727-00	CARBON 4.7M 5% 1/3W (US,CND) *****	
*	A-4405-480-A	MAIN BOARD, COMPLETE (US,CND) *****	
*	A-4405-482-A	MAIN BOARD, COMPLETE (E,AUS,SP,MY,TW) *****	
*	A-4405-483-A	MAIN BOARD, COMPLETE (MX) ***** < CAPACITOR >	
C101	1-161-379-00	CERAMIC 0.01uF 20% 25V	
C102	1-161-379-00	CERAMIC 0.01uF 20% 25V	
C103	1-162-195-31	CERAMIC 4.7PF 10% 50V	
C104	1-161-494-00	CERAMIC 0.022uF 25V	
C105	1-162-206-31	CERAMIC 20PF 5% 50V	
C106	1-161-494-00	CERAMIC 0.022uF 25V	
C108	1-126-933-11	ELECT 100uF 20% 16V	
C109	1-162-191-31	CERAMIC 2.2PF 10% 50V	
C110	1-162-191-31	CERAMIC 2.2PF 10% 50V	
C111	1-162-217-31	CERAMIC 56PF 5% 50V	
C112	1-162-294-31	CERAMIC 0.001uF 10% 50V	
C115	1-161-379-00	CERAMIC 0.01uF 20% 25V	
C116	1-130-014-00	FILM 470PF 5% 50V	
C117	1-162-205-31	CERAMIC 18PF 5% 50V	
C118	1-126-933-11	ELECT 100uF 20% 16V	
C120	1-161-494-00	CERAMIC 0.022uF 25V	
C121	1-162-203-31	CERAMIC 15PF 5% 50V	
C122	1-126-961-11	ELECT 2.2uF 20% 50V	
C123	1-126-960-11	ELECT 1uF 20% 50V	
C124	1-162-206-31	CERAMIC 20PF 5% 50V	
C125	1-126-960-11	ELECT 1uF 20% 50V	
C126	1-110-671-31	CERAMIC 47000PF 50V	
C127	1-126-964-11	ELECT 10uF 20% 50V	
C128	1-161-494-00	CERAMIC 0.022uF 25V	
C129	1-109-889-11	ELECT 1uF 20% 50V	
C130	1-161-054-00	CERAMIC 0.018uF 10% 25V	
C131	1-161-054-00	CERAMIC 0.018uF 10% 25V	
C132	1-161-051-00	CERAMIC 0.01uF 10% 50V	
C133	1-161-051-00	CERAMIC 0.01uF 10% 50V	
C137	1-126-959-11	ELECT 0.47uF 20% 50V	
C140	1-126-933-11	ELECT 100uF 20% 16V	
C141	1-161-494-00	CERAMIC 0.022uF 25V	
C142	1-126-933-11	ELECT 100uF 20% 16V	
C143	1-126-959-11	ELECT 0.47uF 20% 50V	
C144	1-161-494-00	CERAMIC 0.022uF 25V	

Ref. No.	Part No.	Description	Remarks
C145	1-162-217-31	CERAMIC 56PF 5% 50V	
C146	1-161-744-00	CERAMIC 0.01uF 250V	
C148	1-161-494-00	CERAMIC 0.022uF 25V	
C149	1-161-744-00	CERAMIC 0.01uF 250V	
C151	1-128-551-11	ELECT 22uF 20% 25V	
C152	1-162-294-31	CERAMIC 0.001uF 10% 50V	
C154	1-162-294-31	CERAMIC 0.001uF 10% 50V	
C155	1-162-294-31	CERAMIC 0.001uF 10% 50V	
C156	1-102-516-11	CERAMIC 27PF 5% 50V	
C157	1-102-516-11	CERAMIC 27PF 5% 50V	
C158	1-126-967-11	ELECT 47uF 20% 16V	
C159	1-164-159-11	CERAMIC 0.1uF 50V	
C160	1-126-963-11	ELECT 4.7uF 20% 50V	
C161	1-126-963-11	ELECT 4.7uF 20% 50V	
C162	1-161-494-00	CERAMIC 0.022uF 25V	
C163	1-161-494-00	CERAMIC 0.022uF 25V	
C164	1-126-962-11	ELECT 3.3uF 20% 50V	
C166	1-161-494-00	CERAMIC 0.022uF 25V	
C167	1-162-282-31	CERAMIC 100PF 10% 50V	
C175	1-130-485-00	MYLAR 0.015uF 5% 50V	
C176	1-130-485-00	MYLAR 0.015uF 5% 50V	
C177	1-161-494-00	CERAMIC 0.022uF 25V	
C181	1-164-159-11	CERAMIC 0.1uF 50V	
C301	1-164-159-11	CERAMIC 0.1uF 50V	
C302	1-162-306-11	CERAMIC 0.01uF 20% 16V	
C303	1-162-306-11	CERAMIC 0.01uF 20% 16V	
C305	1-126-959-11	ELECT 0.47uF 20% 50V	
C306	1-126-959-11	ELECT 0.47uF 20% 50V	
C307	1-126-959-11	ELECT 0.47uF 20% 50V	
C308	1-126-959-11	ELECT 0.47uF 20% 50V	
C309	1-162-282-31	CERAMIC 100PF 10% 50V	
C310	1-162-282-31	CERAMIC 100PF 10% 50V	
C311	1-126-959-11	ELECT 0.47uF 20% 50V	
C312	1-126-959-11	ELECT 0.47uF 20% 50V	
C313	1-137-150-11	FILM 0.01uF 5% 100V	
C314	1-137-150-11	FILM 0.01uF 5% 100V	
C317	1-136-479-11	FILM 0.001uF 5% 100V	
C318	1-136-479-11	FILM 0.001uF 5% 100V	
C319	1-136-480-11	FILM 0.0015uF 5% 100V	
C320	1-136-480-11	FILM 0.0015uF 5% 100V	
C321	1-162-600-11	CERAMIC 0.0047uF 30% 16V	
C322	1-162-600-11	CERAMIC 0.0047uF 30% 16V	
C325	1-137-350-11	FILM 0.015uF 5% 100V	
C326	1-137-350-11	FILM 0.015uF 5% 100V	
C327	1-126-934-11	ELECT 220uF 20% 16V	
C328	1-126-934-11	ELECT 220uF 20% 16V	
C329	1-162-282-31	CERAMIC 100PF 10% 50V	
C330	1-162-282-31	CERAMIC 100PF 10% 50V	
C331	1-126-960-11	ELECT 1uF 20% 50V	
C332	1-126-960-11	ELECT 1uF 20% 50V	
C333	1-126-933-11	ELECT 100uF 20% 16V	
C334	1-126-960-11	ELECT 1uF 20% 50V	
C335	1-126-960-11	ELECT 1uF 20% 50V	
C336	1-126-962-11	ELECT 3.3uF 20% 50V	
C337	1-126-962-11	ELECT 3.3uF 20% 50V	
C339	1-126-959-11	ELECT 0.47uF 20% 50V	
C340	1-126-959-11	ELECT 0.47uF 20% 50V	

<p>The components identified by mark △ or dotted line with mark △ are critical for safety. Replace only with part number specified.</p>	<p>Les composants identifiés par une marque △ sont critiques pour la sécurité. Ne les remplacer que par une pièce portant le numéro spécifié.</p>
---	---

Ref. No.	Part No.	Description	Remarks	Ref. No.	Part No.	Description	Remarks
C341	1-126-960-11	ELECT	1uF 20% 50V	C442	1-161-494-00	CERAMIC	0.022uF 25V
C342	1-126-960-11	ELECT	1uF 20% 50V	C445	1-126-962-11	ELECT	3.3uF 20% 50V
C343	1-126-963-11	ELECT	4.7uF 20% 50V	C446	1-126-962-11	ELECT	3.3uF 20% 50V
C344	1-126-963-11	ELECT	4.7uF 20% 50V	C447	1-126-964-11	ELECT	10uF 20% 50V
C345	1-137-353-11	FILM	0.047uF 5% 100V	C731	1-162-306-11	CERAMIC	0.01uF 20% 16V
C346	1-137-353-11	FILM	0.047uF 5% 100V	C732	1-162-306-11	CERAMIC	0.01uF 20% 16V
C347	1-162-303-11	CERAMIC	0.0033uF 30% 16V			< FILTER >	
C348	1-162-303-11	CERAMIC	0.0033uF 30% 16V				
C349	1-162-294-31	CERAMIC	0.001uF 10% 50V	CF101	1-567-390-11	FILTER,CERAMIC	10.7M
C350	1-162-294-31	CERAMIC	0.001uF 10% 50V	CF102	1-527-996-11	FILTER, CERAMIC	
C351	1-137-354-11	FILM	0.1uF 5% 100V	CF103	1-527-996-11	FILTER, CERAMIC	
C352	1-137-354-11	FILM	0.1uF 5% 100V	CF104	1-579-856-31	DISCRIMINATOR, CERAMIC	
C353	1-126-962-11	ELECT	3.3uF 20% 50V	CF105	1-577-091-11	OSCILLATOR, CERAMIC	
C354	1-126-962-11	ELECT	3.3uF 20% 50V			< CONNECTOR >	
C355	1-126-933-11	ELECT	100uF 20% 16V	* CN303	1-770-335-11	PIN, CONNECTOR (PC BOARD)	20P
C356	1-126-933-11	ELECT	100uF 20% 16V			< TRIMMER >	
C360	1-162-290-31	CERAMIC	470PF 10% 50V				
C361	1-162-290-31	CERAMIC	470PF 10% 50V	CT101	1-141-304-21	CAP, TRIMMER	10PF
C368	1-109-889-11	ELECT	1uF 20% 50V	CT102	1-141-304-21	CAP, TRIMMER	10PF
C371	1-161-494-00	CERAMIC	0.022uF 25V	CT104	1-141-304-21	CAP, TRIMMER	10PF
C372	1-161-494-00	CERAMIC	0.022uF 25V			< DIODE >	
C374	1-137-350-11	FILM	0.015uF 5% 100V	D101	8-719-911-19	DIODE	1SS119
C375	1-136-290-11	FILM	0.0062uF 5% 100V	D102	8-719-911-19	DIODE	1SS119
C376	1-136-290-11	FILM	0.0062uF 5% 100V	D103	8-719-911-19	DIODE	1SS119
C377	1-137-350-11	FILM	0.015uF 5% 100V	D104	8-719-911-19	DIODE	1SS119
C378	1-126-959-11	ELECT	0.47uF 20% 50V	D105	8-719-059-68	DIODE	KV1340A
C379	1-126-959-11	ELECT	0.47uF 20% 50V	D106	8-719-059-68	DIODE	KV1340A
C391	1-162-292-31	CERAMIC	680PF 10% 50V	D107	8-719-800-72	DIODE	1SV149-B
C392	1-162-292-31	CERAMIC	680PF 10% 50V	D109	8-719-911-19	DIODE	1SS119
C393	1-162-292-31	CERAMIC	680PF 10% 50V	D110	8-719-109-89	DIODE	RD5.6ESB2
C394	1-162-294-31	CERAMIC	0.001uF 10% 50V	D111	8-719-911-19	DIODE	1SS119
C395	1-164-159-11	CERAMIC	0.1uF 50V	D113	8-719-911-19	DIODE	1SS119
C396	1-164-159-11	CERAMIC	0.1uF 50V	D301	8-719-911-19	DIODE	1SS119
C398	1-164-159-11	CERAMIC	0.1uF 50V	D302	8-719-911-19	DIODE	1SS119
C401	1-161-494-00	CERAMIC	0.022uF 25V	D305	8-719-911-19	DIODE	1SS119
C402	1-126-948-11	ELECT	100uF 20% 35V	D401	8-719-110-31	DIODE	RD12ES-B2
C403	1-126-933-11	ELECT	100uF 20% 16V	D402	8-719-921-54	DIODE	MTZJ-6.2B
C404	1-161-494-00	CERAMIC	0.022uF 25V			< IC >	
C405	1-126-933-11	ELECT	100uF 20% 16V	IC101	8-759-801-96	IC	LA1186
C406	1-126-960-11	ELECT	1uF 20% 50V	IC103	8-759-820-53	IC	LA1145M
C407	1-126-960-11	ELECT	1uF 20% 50V	IC301	8-759-473-59	IC	LC75392
C408	1-162-294-31	CERAMIC	0.001uF 10% 50V	IC302	8-759-244-66	IC	TC74AC534P
C409	1-162-294-31	CERAMIC	0.001uF 10% 50V	IC303	8-759-112-93	IC	UPC4570HA-1
C410	1-126-933-11	ELECT	100uF 20% 16V	IC401	8-759-356-16	IC	NJM4556AD
C411	1-126-933-11	ELECT	100uF 20% 16V			< JACK >	
C413	1-126-964-11	ELECT	10uF 20% 50V	JK101	1-694-092-21	TERMINAL BOARD (SPEAKER)	
C414	1-126-964-11	ELECT	10uF 20% 50V	JK301	1-766-396-11	JACK, PIN 4P	
C415	1-161-494-00	CERAMIC	0.022uF 25V	JK401	1-785-081-11	JACK (LARGE TYPE)	
C416	1-161-494-00	CERAMIC	0.022uF 25V			< COIL >	
C417	1-126-933-11	ELECT	100uF 20% 16V	L101	1-429-550-11	TRANSFORMER, FM ANT	
C418	1-126-933-11	ELECT	100uF 20% 16V	L102	1-429-551-11	TRANSFORMER, FM RF	
C419	1-161-494-00	CERAMIC	0.022uF 25V	L103	1-411-798-11	COIL, FM OSC	
C420	1-161-494-00	CERAMIC	0.022uF 25V	L104	1-411-901-11	COIL, ANTENNA	
C421	1-164-159-11	CERAMIC	0.1uF 50V	L105	1-429-555-11	TRANSFORMER, MW OSC	
C421	1-164-159-11	CERAMIC	0.1uF 50V				
C431	1-126-964-11	ELECT	10uF 20% 50V				
C432	1-126-961-11	ELECT	2.2uF 20% 50V				
C435	1-126-961-11	ELECT	2.2uF 20% 50V				
C436	1-126-961-11	ELECT	2.2uF 20% 50V				
C439	1-126-961-11	ELECT	2.2uF 20% 50V				
C440	1-126-961-11	ELECT	2.2uF 20% 50V				

MAIN

Ref. No.	Part No.	Description	Remarks	Ref. No.	Part No.	Description	Remarks
L106	1-412-507-11	INDUCTOR 47uH		R126	1-249-417-11	CARBON 1K 5%	1/4W F
L107	1-412-507-11	INDUCTOR 47uH		R127	1-249-417-11	CARBON 1K 5%	1/4W F
L109	1-412-503-11	INDUCTOR 22uH		R128	1-247-883-00	CARBON 150K 5%	1/4W
L113	1-412-503-11	INDUCTOR 22uH		R129	1-247-883-00	CARBON 150K 5%	1/4W
		< TRANSISTOR >		R130	1-249-405-11	CARBON 100 5%	1/4W F
Q101	8-729-015-41	TRANSISTOR 2SC1675-T1		R131	1-247-713-11	CARBON 1K 5%	1/4W F
Q102	8-729-178-63	TRANSISTOR 2SC2786-K		R132	1-247-855-11	CARBON 10K 5%	1/4W
Q108	8-729-041-83	TRANSISTOR 2SK544E		R133	1-247-843-11	CARBON 3.3K 5%	1/4W
Q112	8-729-194-57	TRANSISTOR 2SC945-P		R134	1-249-427-11	CARBON 6.8K 5%	1/4W F
Q113	8-729-194-57	TRANSISTOR 2SC945-P		R135	1-249-417-11	CARBON 1K 5%	1/4W F
Q114	8-729-902-80	TRANSISTOR DTA114YS		R136	1-247-847-11	CARBON 4.7K 5%	1/4W
Q116	8-729-194-57	TRANSISTOR 2SC945-P		R137	1-247-725-11	CARBON 10K 5%	1/4W F
Q117	8-729-194-57	TRANSISTOR 2SC945-P		R138	1-249-405-11	CARBON 100 5%	1/4W F
Q301	8-729-194-57	TRANSISTOR 2SC945-P		R139	1-247-855-11	CARBON 10K 5%	1/4W
Q302	8-729-194-57	TRANSISTOR 2SC945-P		R140	1-247-855-11	CARBON 10K 5%	1/4W
Q303	8-729-194-57	TRANSISTOR 2SC945-P		R141	1-247-839-11	CARBON 2.2K 5%	1/4W
Q304	8-729-194-57	TRANSISTOR 2SC945-P		R142	1-247-839-11	CARBON 2.2K 5%	1/4W
Q307	8-729-224-62	TRANSISTOR 2SK246-GR		R143	1-247-839-11	CARBON 2.2K 5%	1/4W
Q308	8-729-194-57	TRANSISTOR 2SC945-P		R144	1-249-411-11	CARBON 330 5%	1/4W
Q309	8-729-194-57	TRANSISTOR 2SC945-P		R147	1-247-843-11	CARBON 3.3K 5%	1/4W
Q310	8-729-422-57	TRANSISTOR UN4111		R151	1-247-843-11	CARBON 3.3K 5%	1/4W
Q319	8-729-194-57	TRANSISTOR 2SC945-P		R152	1-247-903-00	CARBON 1M 5%	1/4W
Q320	8-729-194-57	TRANSISTOR 2SC945-P		R155	1-249-409-11	CARBON 220 5%	1/4W F
Q321	8-729-194-57	TRANSISTOR 2SC945-P		R156	1-247-863-11	CARBON 22K 5%	1/4W
Q322	8-729-194-57	TRANSISTOR 2SC945-P		R171	1-249-411-11	CARBON 330 5%	1/4W
Q401	8-729-232-32	TRANSISTOR 2SA965		R301	1-249-434-11	CARBON 27K 5%	1/4W
Q403	8-729-142-46	TRANSISTOR 2SC2001-LK		R302	1-249-434-11	CARBON 27K 5%	1/4W
Q404	8-729-119-76	TRANSISTOR 2SA1175-HFE		R303	1-247-847-11	CARBON 4.7K 5%	1/4W
Q407	8-729-231-55	TRANSISTOR 2SC2878-AB		R304	1-247-847-11	CARBON 4.7K 5%	1/4W
Q408	8-729-231-55	TRANSISTOR 2SC2878-AB		R305	1-249-417-11	CARBON 1K 5%	1/4W F
Q409	8-729-140-96	TRANSISTOR 2SD774-34		R306	1-249-417-11	CARBON 1K 5%	1/4W F
Q410	8-729-422-57	TRANSISTOR UN4111		R307	1-247-847-11	CARBON 4.7K 5%	1/4W
Q415	8-729-993-43	TRANSISTOR 2SA934R		R308	1-247-847-11	CARBON 4.7K 5%	1/4W
Q416	8-729-194-57	TRANSISTOR 2SC945-P		R309	1-249-440-11	CARBON 82K 5%	1/4W
Q417	8-729-029-72	TRANSISTOR DTC114YS		R310	1-249-440-11	CARBON 82K 5%	1/4W
		< RESISTOR >		R311	1-249-465-11	CARBON 47K 5%	1/4W
R101	1-247-879-11	CARBON 100K 5%	1/4W	R312	1-249-465-11	CARBON 47K 5%	1/4W
R102	1-249-417-11	CARBON 1K 5%	1/4W F	R315	1-247-867-11	CARBON 33K 5%	1/4W
R103	1-247-692-11	CARBON 22 5%	1/4W F	R316	1-247-867-11	CARBON 33K 5%	1/4W
R104	1-247-807-11	CARBON 100 5%	1/4W	R317	1-247-887-00	CARBON 220K 5%	1/4W
R105	1-249-417-11	CARBON 1K 5%	1/4W F	R318	1-247-887-00	CARBON 220K 5%	1/4W
R106	1-247-807-11	CARBON 100 5%	1/4W	R319	1-247-855-11	CARBON 10K 5%	1/4W
R107	1-249-427-11	CARBON 6.8K 5%	1/4W F	R320	1-247-855-11	CARBON 10K 5%	1/4W
R109	1-247-879-11	CARBON 100K 5%	1/4W	R321	1-249-434-11	CARBON 27K 5%	1/4W
R110	1-247-867-11	CARBON 33K 5%	1/4W	R322	1-249-434-11	CARBON 27K 5%	1/4W
R111	1-249-417-11	CARBON 1K 5%	1/4W F	R323	1-247-871-11	CARBON 47K 5%	1/4W
R112	1-247-807-11	CARBON 100 5%	1/4W	R324	1-247-871-11	CARBON 47K 5%	1/4W
R113	1-247-879-11	CARBON 100K 5%	1/4W	R325	1-247-863-11	CARBON 22K 5%	1/4W
R114	1-247-879-11	CARBON 100K 5%	1/4W	R326	1-247-863-11	CARBON 22K 5%	1/4W
R115	1-249-417-11	CARBON 1K 5%	1/4W F	R327	1-249-434-11	CARBON 27K 5%	1/4W
R116	1-247-692-11	CARBON 22 5%	1/4W F	R328	1-249-434-11	CARBON 27K 5%	1/4W
R117	1-247-855-11	CARBON 10K 5%	1/4W	R329	1-249-430-11	CARBON 12K 5%	1/4W
R118	1-247-807-11	CARBON 100 5%	1/4W	R330	1-249-430-11	CARBON 12K 5%	1/4W
R119	1-249-413-11	CARBON 470 5%	1/4W F	R331	1-247-717-11	CARBON 2.2K 5%	1/4W F
R120	1-247-843-11	CARBON 3.3K 5%	1/4W	R332	1-247-717-11	CARBON 2.2K 5%	1/4W F
R121	1-247-843-11	CARBON 3.3K 5%	1/4W	R333	1-247-717-11	CARBON 2.2K 5%	1/4W F
R123	1-247-847-11	CARBON 4.7K 5%	1/4W	R334	1-247-725-11	CARBON 10K 5%	1/4W F
R123	1-249-428-11	CARBON 8.2K 5%	1/4W F	R334	1-247-855-11	CARBON 10K 5%	1/4W
R124	1-247-843-11	CARBON 3.3K 5%	1/4W	R335	1-247-855-11	CARBON 10K 5%	1/4W
				R336	1-247-847-11	CARBON 4.7K 5%	1/4W

MAIN

MOTOR (6P)(S)

PANEL

Ref. No.	Part No.	Description	Remarks	Ref. No.	Part No.	Description	Remarks
R337	1-247-704-11	CARBON 220	5% 1/4W F	R413	1-247-694-11	CARBON 33	5% 1/4W F
R338	1-247-708-11	CARBON 470	5% 1/4W F	R414	1-247-839-11	CARBON 2.2K	5% 1/4W
R339	1-247-897-11	CARBON 560K	5% 1/4W	R415	1-247-839-11	CARBON 2.2K	5% 1/4W
R340	1-247-897-11	CARBON 560K	5% 1/4W	R416	1-247-871-11	CARBON 47K	5% 1/4W
R341	1-249-418-11	CARBON 1.2K	5% 1/4W F	R417	1-247-855-11	CARBON 10K	5% 1/4W
R342	1-249-418-11	CARBON 1.2K	5% 1/4W F	R420	1-249-413-11	CARBON 470	5% 1/4W F
R344	1-247-839-11	CARBON 2.2K	5% 1/4W	R422	1-249-417-11	CARBON 1K	5% 1/4W F
R345	1-247-839-11	CARBON 2.2K	5% 1/4W	R430	1-249-417-11	CARBON 1K	5% 1/4W F
R346	1-247-843-11	CARBON 3.3K	5% 1/4W	R431	1-247-883-00	CARBON 150K	5% 1/4W
R347	1-247-843-11	CARBON 3.3K	5% 1/4W	R432	1-247-871-11	CARBON 47K	5% 1/4W
R348	1-247-863-11	CARBON 22K	5% 1/4W	R433	1-247-871-11	CARBON 47K	5% 1/4W
R349	1-247-863-11	CARBON 22K	5% 1/4W	R434	1-247-839-11	CARBON 2.2K	5% 1/4W
R352	1-247-871-11	CARBON 47K	5% 1/4W	R435	1-247-839-11	CARBON 2.2K	5% 1/4W
R353	1-247-871-11	CARBON 47K	5% 1/4W	R436	1-247-855-11	CARBON 10K	5% 1/4W
R354	1-247-863-11	CARBON 22K	5% 1/4W	R437	1-249-427-11	CARBON 6.8K	5% 1/4W F
R355	1-247-863-11	CARBON 22K	5% 1/4W	R438	1-249-427-11	CARBON 6.8K	5% 1/4W F
R356	1-247-839-11	CARBON 2.2K	5% 1/4W	R450	1-247-855-11	CARBON 10K	5% 1/4W
R357	1-247-839-11	CARBON 2.2K	5% 1/4W	R451	1-247-863-11	CARBON 22K	5% 1/4W
R358	1-247-871-11	CARBON 47K	5% 1/4W	R452	1-249-417-11	CARBON 1K	5% 1/4W F
R359	1-247-871-11	CARBON 47K	5% 1/4W	R453	1-247-839-11	CARBON 2.2K	5% 1/4W
R360	1-247-855-11	CARBON 10K	5% 1/4W	R454	1-247-839-11	CARBON 2.2K	5% 1/4W
R361	1-247-855-11	CARBON 10K	5% 1/4W	R455	1-247-855-11	CARBON 10K	5% 1/4W
R364	1-247-863-11	CARBON 22K	5% 1/4W	R456	1-247-855-11	CARBON 10K	5% 1/4W
R365	1-247-863-11	CARBON 22K	5% 1/4W	R457	1-247-855-11	CARBON 10K	5% 1/4W
R366	1-247-871-11	CARBON 47K	5% 1/4W	R467	1-249-417-11	CARBON 1K	5% 1/4W F
R367	1-247-879-11	CARBON 100K	5% 1/4W			< ADJ >	
R368	1-247-847-11	CARBON 4.7K	5% 1/4W				
R369	1-247-847-11	CARBON 4.7K	5% 1/4W	SFR101	1-228-995-00	RES, ADJ, METAL 22K	
R370	1-247-883-00	CARBON 150K	5% 1/4W			< SWITCH >	
R371	1-247-883-00	CARBON 150K	5% 1/4W				
R372	1-247-887-00	CARBON 220K	5% 1/4W	SW101	1-762-735-11	SWITCH, SLIDE (E,AUS,SP,MY,TW)	
R373	1-247-887-00	CARBON 220K	5% 1/4W			< TRANSFORMER >	
R375	1-247-710-11	CARBON 560	5% 1/4W F				
R378	1-247-867-11	CARBON 33K	5% 1/4W	T101	1-429-553-11	TRANSFORMER, FM IFT	
R379	1-247-867-11	CARBON 33K	5% 1/4W	T102	1-429-554-11	TRANSFORMER, AM IFT	
R380	1-249-427-11	CARBON 6.8K	5% 1/4W F			< VIBRATOR >	
R381	1-249-427-11	CARBON 6.8K	5% 1/4W F				
R383	1-259-634-11	CARBON 18	2% 1W	X101	1-579-585-11	VIBRATOR, CRYSTAL 7.2MHz	
R384	1-249-469-11	CARBON 100K	5% 1/4W			*****	
R385	1-247-879-11	CARBON 100K	5% 1/4W				
R386	1-249-469-11	CARBON 100K	5% 1/4W	*	1-639-678-12	MOTOR (6P)(S)BOARD	*****
R387	1-247-879-11	CARBON 100K	5% 1/4W			< CONNECTOR >	
R388	1-249-469-11	CARBON 100K	5% 1/4W				
R389	1-247-879-11	CARBON 100K	5% 1/4W	* CN1	1-564-722-11	PIN,CONNECTOR (SMALL TYPE)6P	
R390	1-249-469-11	CARBON 100K	5% 1/4W			< MOTOR >	
R391	1-247-879-11	CARBON 100K	5% 1/4W				
R394	1-247-710-11	CARBON 560	5% 1/4W F				
R395	1-247-863-11	CARBON 22K	5% 1/4W				
R396	1-247-863-11	CARBON 22K	5% 1/4W	M101	X-2625-877-1	MOTOR ASSY (SPINDLE)	
R401	1-247-717-11	CARBON 2.2K	5% 1/4W F	M102	X-2625-769-1	MOTOR ASSY (SLED)	
R402	1-249-417-11	CARBON 1K	5% 1/4W F			< SWITCH >	
R404	1-247-871-11	CARBON 47K	5% 1/4W				
R405	1-247-871-11	CARBON 47K	5% 1/4W	S1	1-572-085-11	SWITCH,LEAF(LIMIT)	
R406	1-247-855-11	CARBON 10K	5% 1/4W			*****	
R407	1-247-855-11	CARBON 10K	5% 1/4W				
R408	1-247-871-11	CARBON 47K	5% 1/4W	*	A-4405-479-A	PANEL BOARD, COMPLETE (US,CND,MX)	*****
R409	1-247-871-11	CARBON 47K	5% 1/4W				
R410	1-247-710-11	CARBON 560	5% 1/4W F	*	A-4405-485-A	PANEL BOARD, COMPLETE (E,AUS,SP,MY,TW)	*****
R411	1-247-710-11	CARBON 560	5% 1/4W F				
R412	1-247-694-11	CARBON 33	5% 1/4W F	*	4-210-620-01	HOLDER, DISPLAY	

PANEL

Ref. No.	Part No.	Description	Remarks	Ref. No.	Part No.	Description	Remarks
< CAPACITOR >				< IC >			
C601	1-126-916-11	ELECT	1000uF 20% 6.3V	IC601	8-759-540-23	IC uPD78020SGF-043-3BA	
C602	1-161-494-00	CERAMIC	0.022uF	IC602	8-759-275-23	IC BU2092	
C603	1-164-159-11	CERAMIC	0.1uF	IC603	8-759-473-61	IC BU2114	
C604	1-126-933-11	ELECT	100uF 20% 16V	< COIL >			
C605	1-126-967-11	ELECT	47uF 20% 16V	L601	1-408-096-00	INDUCTOR 470uH	
C606	1-164-159-11	CERAMIC	0.1uF	L602	1-408-611-31	INDUCTOR 47mH	
C607	1-126-961-11	ELECT	2.2uF 20% 50V	L603	1-408-611-31	INDUCTOR 47mH	
C608	1-126-960-11	ELECT	1uF 20% 50V	< LED >			
C609	1-164-159-11	CERAMIC	0.1uF	LED605	8-719-044-69	DIODE SEL1910DTP3	
C610	1-126-964-11	ELECT	10uF 20% 50V	LED606	8-719-044-69	DIODE SEL1910DTP3	
C611	1-161-494-00	CERAMIC	0.022uF	LED607	8-719-921-01	DIODE EBR5534S	
C612	1-102-510-11	CERAMIC	12PF 5% 50V	LED608	8-719-312-70	DIODE SEL1410G	
C613	1-102-510-11	CERAMIC	12PF 5% 50V	LED609	8-719-312-70	DIODE SEL1410G	
C614	1-126-960-11	ELECT	1uF 20% 50V	LED610	8-719-312-70	DIODE SEL1410G	
C615	1-126-019-11	ELECT	10uF 20% 25V	LED611	8-719-312-70	DIODE SEL1410G	
C616	1-110-671-31	FILM	0.047uF	< TRANSISTOR >			
C617	1-162-302-11	CERAMIC	0.0022uF 20% 16V	Q601	8-729-194-57	TRANSISTOR 2SC945-P	
C618	1-126-964-11	ELECT	10uF 20% 50V	Q602	8-729-194-57	TRANSISTOR 2SC945-P	
C619	1-161-494-00	CERAMIC	0.022uF	Q603	8-729-194-57	TRANSISTOR 2SC945-P	
C620	1-161-494-00	CERAMIC	0.022uF	Q604	8-729-119-76	TRANSISTOR 2SA1175-HFE	
C621	1-126-964-11	ELECT	10uF 20% 50V	Q605	8-729-194-57	TRANSISTOR 2SC945-P	
C622	1-126-964-11	ELECT	10uF 20% 50V	Q606	8-729-900-63	TRANSISTOR DTA124ES	
C623	1-162-294-31	CERAMIC	0.001uF 10% 50V	Q607	8-729-900-63	TRANSISTOR DTA124ES	
C633	1-162-600-11	CERAMIC	0.0047uF 30% 16V	Q608	8-729-900-63	TRANSISTOR DTA124ES	
C634	1-162-600-11	CERAMIC	0.0047uF 30% 16V	Q609	8-729-900-63	TRANSISTOR DTA124ES	
C635	1-162-600-11	CERAMIC	0.0047uF 30% 16V	Q610	8-729-900-63	TRANSISTOR DTA124ES	
C636	1-162-600-11	CERAMIC	0.0047uF 30% 16V	Q611	8-729-900-63	TRANSISTOR DTA124ES	
C637	1-162-600-11	CERAMIC	0.0047uF 30% 16V	Q612	8-729-900-63	TRANSISTOR DTA124ES	
C638	1-162-600-11	CERAMIC	0.0047uF 30% 16V	Q613	8-729-900-63	TRANSISTOR DTA124ES	
< CONNECTOR >				< RESISTOR >			
CN601	1-770-331-11	CONNECTOR, D-SUB (11W1)		R601	1-247-871-11	CARBON 47K 5% 1/4W	
CN602	1-568-861-11	SOCKET, CONNECTOR 18P		R602	1-249-417-11	CARBON 1K 5% 1/4W F	
CN602	8-719-031-85	DIODE 1N4002L		R603	1-247-871-11	CARBON 47K 5% 1/4W	
< DIODE >				R604	1-249-417-11	CARBON 1K 5% 1/4W F	
D601	8-719-911-19	DIODE 1SS119		R605	1-247-871-11	CARBON 47K 5% 1/4W	
D602	8-719-031-85	DIODE 1N4002L		R606	1-247-839-11	CARBON 2.2K 5% 1/4W	
D603	8-719-911-19	DIODE 1SS119		R607	1-247-839-11	CARBON 2.2K 5% 1/4W	
D604	8-719-911-19	DIODE 1SS119		R608	1-247-839-11	CARBON 2.2K 5% 1/4W	
D605	8-719-911-19	DIODE 1SS119		R609	1-247-855-11	CARBON 10K 5% 1/4W	
D607	8-719-987-63	DIODE 1N4148		R610	1-247-713-11	CARBON 1K 5% 1/4W F	
D608	8-719-911-19	DIODE 1SS119		R611	1-249-431-11	CARBON 15K 5% 1/4W	
D609	8-719-987-63	DIODE 1N4148		R612	1-247-871-11	CARBON 47K 5% 1/4W	
D610	8-719-911-19	DIODE 1SS119		R613	1-249-417-11	CARBON 1K 5% 1/4W F	
D611	8-719-911-19	DIODE 1SS119		R614	1-249-417-11	CARBON 1K 5% 1/4W F	
D612	8-719-991-33	DIODE 1SS133		R615	1-247-713-11	CARBON 1K 5% 1/4W F	
D613	8-719-911-19	DIODE 1SS119		R616	1-247-713-11	CARBON 1K 5% 1/4W F	
D614	8-719-991-33	DIODE 1SS133		R617	1-247-713-11	CARBON 1K 5% 1/4W F	
D615	8-719-991-33	DIODE 1SS133		R618	1-247-713-11	CARBON 1K 5% 1/4W F	
D616	8-719-911-19	DIODE 1SS119		R619	1-247-855-11	CARBON 10K 5% 1/4W	
D617	8-719-991-33	DIODE 1SS133		R620	1-247-855-11	CARBON 10K 5% 1/4W	
D618	8-719-991-33	DIODE 1SS133		R621	1-247-725-11	CARBON 10K 5% 1/4W F	
D619	8-719-991-33	DIODE 1SS133		R622	1-247-855-11	CARBON 10K 5% 1/4W	
< FLUORESCENT INDICATOR >				R623	1-247-855-11	CARBON 10K 5% 1/4W	
FLD601	1-517-761-11	INDICATOR TUBE, FLUORESCENT		R624	1-247-855-11	CARBON 10K 5% 1/4W	
				R625	1-247-847-11	CARBON 4.7K 5% 1/4W	

PANEL	SENSOR	SW (A)	SW (B)	SW (C)	SW (D)
--------------	---------------	---------------	---------------	---------------	---------------

Ref. No.	Part No.	Description				Remarks	Ref. No.	Part No.	Description		Remarks
R626	1-247-847-11	CARBON	4.7K	5%	1/4W		S606	1-572-647-11	SWITCH, KEY BOARD (TAPE A)		
R627	1-247-847-11	CARBON	4.7K	5%	1/4W		S607	1-572-647-11	SWITCH, KEY BOARD (FUNCTION)		
R628	1-247-847-11	CARBON	4.7K	5%	1/4W		S608	1-572-647-11	SWITCH, KEY BOARD (EDIT/DIRECTION)		
R629	1-247-847-11	CARBON	4.7K	5%	1/4W		S609	1-572-647-11	SWITCH, KEY BOARD (REPEAT/MEMORY)		
R630	1-247-847-11	CARBON	4.7K	5%	1/4W		S610	1-572-647-11	SWITCH, KEY BOARD (STEREO/MONO)		
R631	1-247-847-11	CARBON	4.7K	5%	1/4W		S611	1-572-647-11	SWITCH, KEY BOARD (STOP)		
R632	1-247-847-11	CARBON	4.7K	5%	1/4W		S612	1-572-647-11	SWITCH, KEY BOARD (POWER)		
R633	1-247-721-11	CARBON	4.7K	5%	1/4W	F	S613	1-572-647-11	SWITCH, KEY BOARD (CLOCK/TIMER SET)		
R634	1-247-721-11	CARBON	4.7K	5%	1/4W	F	S614	1-572-647-11	SWITCH, KEY BOARD (TIMER SELECT)		
R635	1-247-721-11	CARBON	4.7K	5%	1/4W	F	S615	1-572-647-11	SWITCH, KEY BOARD (ENTER/NEXT)		
R636	1-247-871-11	CARBON	47K	5%	1/4W		S616	1-572-647-11	SWITCH, KEY BOARD (FILE SELECT)		
R637	1-247-839-11	CARBON	2.2K	5%	1/4W		S617	1-572-647-11	SWITCH, KEY BOARD (DBFB)		
R638	1-249-409-11	CARBON	220	5%	1/4W	F	S618	1-572-647-11	SWITCH, KEY BOARD (DISPLAY/MONO)		
R639	1-249-702-11	CARBON	150	5%	1/4W	F	S619	1-572-647-11	SWITCH, KEY BOARD (SURROUND)		
R640	1-247-702-11	CARBON	150	5%	1/4W	F	S620	1-572-647-11	SWITCH, KEY BOARD (REC)		
R641	1-247-702-11	CARBON	150	5%	1/4W	F	S621	1-572-647-11	SWITCH, KEY BOARD (PAUSE)		
R642	1-247-702-11	CARBON	150	5%	1/4W	F	S622	1-572-647-11	SWITCH, KEY BOARD (CD SYNC)		
R643	1-247-702-11	CARBON	150	5%	1/4W	F	S623	1-572-647-11	SWITCH, KEY BOARD (PLAY MODE)		
R644	1-247-702-11	CARBON	150	5%	1/4W	F	S611A	1-572-647-11	SWITCH, KEY BOARD		
R645	1-246-451-15	CARBON	120	5%	1/4W				< VIBRATOR >		
R646	1-246-451-15	CARBON	120	5%	1/4W						
R647	1-249-407-11	CARBON	150	5%	1/4W	F	X601	1-760-096-11	VIBRATOR, CRYSTAL		
R648	1-249-407-11	CARBON	150	5%	1/4W	F			*****		
R649	1-249-407-11	CARBON	150	5%	1/4W	F	*	1-670-442-11	SENSOR BOARD		
R650	1-249-407-11	CARBON	150	5%	1/4W	F			*****		
R651	1-249-407-11	CARBON	150	5%	1/4W	F			< SENSOR >		
R652	1-249-407-11	CARBON	150	5%	1/4W	F					
R653	1-247-847-11	CARBON	4.7K	5%	1/4W		RM601	8-749-013-84	IC SPS-447-1		
R655	1-247-855-11	CARBON	10K	5%	1/4W				*****		
R661	1-247-714-11	CARBON	1.2K	5%	1/4W	F					
R662	1-249-420-11	CARBON	1.8K	5%	1/4W	F	*	1-670-797-11	SW (A) BOARD		
R663	1-247-718-11	CARBON	2.7K	5%	1/4W	F			*****		
R664	1-247-720-11	CARBON	3.9K	5%	1/4W	F			< SWITCH >		
R665	1-249-427-11	CARBON	6.8K	5%	1/4W	F					
R666	1-249-431-11	CARBON	15K	5%	1/4W		S04	1-771-169-11	SWITCH		
R667	1-249-436-11	CARBON	39K	5%	1/4W				*****		
R668	1-249-418-11	CARBON	1.2K	5%	1/4W	F					
R669	1-249-420-11	CARBON	1.8K	5%	1/4W	F	*	1-670-798-11	SW (B) BOARD		
R670	1-247-718-11	CARBON	2.7K	5%	1/4W	F			*****		
R671	1-249-418-11	CARBON	1.2K	5%	1/4W	F			< SWITCH >		
R672	1-249-420-11	CARBON	1.8K	5%	1/4W	F					
R673	1-249-418-11	CARBON	1.2K	5%	1/4W	F	S03	1-771-169-11	SWITCH		
R674	1-249-420-11	CARBON	1.8K	5%	1/4W	F			*****		
R675	1-247-718-11	CARBON	2.7K	5%	1/4W	F					
R676	1-249-424-11	CARBON	3.9K	5%	1/4W	F	*	1-670-799-11	SW (C) BOARD		
R677	1-249-427-11	CARBON	6.8K	5%	1/4W	F			*****		
R678	1-249-431-11	CARBON	15K	5%	1/4W				< SWITCH >		
R679	1-249-436-11	CARBON	39K	5%	1/4W						
R690	1-247-855-11	CARBON	10K	5%	1/4W		S02	1-571-300-31	SWITCH, ROTARY		
		< SWITCH >							*****		
S601	1-572-647-11	SWITCH, KEY BOARD (TUNER/BAND)					*	1-670-800-11	SW (D) BOARD		
S602	1-572-647-11	SWITCH, KEY BOARD (CD)							*****		
S603	1-572-647-11	SWITCH, KEY BOARD (TAPE B)							< SWITCH >		
S604	1-572-647-11	SWITCH, KEY BOARD (TAPE B)									
S605	1-572-647-11	SWITCH, KEY BOARD (TAPE A)					S01	1-571-300-31	SWITCH, ROTARY		

HCD-GRX3/RX55/R300

VOLUME

Ref. No.	Part No.	Description	Remarks
*	1-670-441-11	VOLUME BOARD *****	
		< RESISTOR >	
R685	1-249-424-11	CARBON 3.9K 5% 1/4W F	
R686	1-249-427-11	CARBON 6.8K 5% 1/4W F	
		< SWITCH >	
S629	1-762-875-11	SWITCH, KEYBOARD (TUNING/FF)	
S630	1-762-875-11	SWITCH, KEYBOARD (TUNING/REW)	
		< VARIABLE RESISTOR >	
VR601	1-475-807-11	ENCODER, ROTARY (VOLUME)	
VR602	1-475-841-11	ENCODER (MULTI JOG)	

		MISCELLANEOUS *****	
△ 9	1-551-506-99	CORD, POWER (E,MX)	
△ 9	1-559-583-11	CORD, POWER (US,CND)	
△ 9	1-696-966-11	CORD, POWER (AUS)	
△ 9	1-765-558-11	CORD, POWER (SP,MY,TW)	
87	1-773-077-11	WIRE (FLAT TYPE) (18 CORE)	
151	1-759-633-11	DECK, MECHANICAL	
△ PT302	1-431-950-11	TRANSFORMER, POWER (US,CND)	
△ PT302	1-431-952-11	TRANSFORMER, POWER (E,AUS,SP,MY,TW)	
△ PT302	1-431-953-11	TRANSFORMER, POWER (MX)	

		ACCESSORIES & PACKING MATERIALS *****	
	1-475-827-11	REMOTE COMMANDER (RM-SG7)	
	1-475-828-11	REMOTE COMMANDER (RM-SG7B)	
	1-501-374-11	ANTENNA, LOOP	
	1-501-594-11	ANTENNA (FM)	
	3-862-439-11	MANUAL, INSTRUCTION (ENGLISH) (US,CND)	

Ref. No.	Part No.	Description	Remarks
	3-862-439-21	MANUAL, INSTRUCTION (FRENCH) (CND)	
	3-862-439-31	MANUAL, INSTRUCTION (FRENCH/SPANISH) (E,SP,MY,MX,TW)	
	3-862-439-91	MANUAL, INSTRUCTION (CHINESE) (SP,MY,TW)	
	4-982-031-01	COVER, BATTERY (RM-SG7)	

		***** HARDWARE LIST *****	
#2	7-682-546-04	SCREW +B 3X5	
#3	7-682-547-04	SCREW +B 3X6	
#4	7-682-548-04	SCREW +B 3X8	
#5	7-685-131-19	SCREW +P 2.6X4 TYPE2 SLIT	
#6	7-685-139-29	SCREW, TAPPING, (M2.6X20)	
#7	7-685-134-19	SCREW +PTPWH 2.6X8 (TYPE2)	
#8	7-685-138-19	SCREW +BTP 2.6X16 TYPE2 N-S	
#9	7-624-118-01	RING, RETAINING E-2.5	
#10	7-685-903-31	SCREW +PTPWH 3X10 (TYPE2)	
#11	7-682-549-04	SCREW +B 3X10	
#12	7-682-550-04	SCREW +B 3X12	
#13	7-682-903-11	SCREW +PWH 3X6	
#14	7-682-904-11	SCREW +PWH 4X8	
#15	7-685-103-19	SCREW +P 2X5 TYPE2 SLIT	
#16	7-685-106-19	SCREW +P 2X10 TYPE2 SLIT	
#17	7-685-245-19	SCREW +KTP 3X6 TYPE2 NON-SLIT	
#18	7-621-255-15	SCREW +P 2X3	
#19	7-685-547-19	SCREW +BTP 3X10 TYPE2 N-S	
#20	7-685-548-19	SCREW +BTP 3X12 TYPE2 N-S	
#21	7-685-903-21	SCREW +PTPWH 3X8 (TYPE2)	

<p>The components identified by mark △ or dotted line with mark △ are critical for safety. Replace only with part number specified.</p>	<p>Les composants identifiés par une marque △ sont critiques pour la sécurité. Ne les remplacer que par une pièce portant le numéro spécifié.</p>
---	---

HCD-GRX3/RX55/R300

SONY®

SERVICE MANUAL

US Model
Canadian Model
HCD-RX55
E Model
HCD-GRX3/R300
Australian Model
HCD-GRX3

CORRECTION-1

Correct your service manual as shown below.

Subject : Correction of electrical parts.

(ECN-TA803970)
(ECN-TA803983)

• PARTS LIST

Page	INCORRECT						CORRECT					
	Ref. No.	Part No.	Description			Remarks	Part No.	Description			Remarks	
74	C02	1-126-963-11	ELECT	4.7uF	20%	50V						
	C04B						1-126-925-11	ELECT	470uF	20%	10V	
	C07A	1-162-199-31	CERAMIC	10PF	5%	50V	1-162-201-31	CERAMIC	12PF	5%	50V	
	C08	1-161-494-00	CERAMIC	0.022uF		25V						
	C23A						1-162-294-31	CERAMIC	0.001uF	10%	50V	
	C26	1-161-494-00	CERAMIC	0.022uF		25V						
	C27	1-162-306-11	CERAMIC	0.01uF	20%	16V	1-136-154-00	FILM	0.012uF	5%	50V	
	C28	1-164-159-11	CERAMIC	0.1uF		50V	1-162-306-11	CERAMIC	0.01uF	20%	16V	
	C29A						1-126-927-11	ELECT	2200uF	20%	10V	
	75	C30B						1-162-294-31	CERAMIC	0.001uF	10%	50V
C38		1-102-958-00	CERAMIC	20PF	5%	50V	1-102-942-00	CERAMIC	5PF	0.5PF	50V	
C39		1-102-958-00	CERAMIC	20PF	5%	50V	1-102-942-00	CERAMIC	5PF	0.5PF	50V	
C46		1-126-933-11	ELECT	100uF	20%	10V	1-126-934-11	ELECT	220uF	20%	10V	
C51		1-162-288-31	CERAMIC	330PF	10%	50V	1-162-289-31	CERAMIC	390PF	10%	50V	
C52		1-162-288-31	CERAMIC	330PF	10%	50V	1-162-289-31	CERAMIC	390PF	10%	50V	
C53		1-162-284-31	CERAMIC	150PF	10%	50V	1-162-288-31	CERAMIC	330PF	10%	50V	
C54		1-162-284-31	CERAMIC	150PF	10%	50V	1-162-288-31	CERAMIC	330PF	10%	50V	
C55		1-162-284-31	CERAMIC	150PF	10%	50V	1-162-288-31	CERAMIC	330PF	10%	50V	
C56		1-162-284-31	CERAMIC	150PF	10%	50V	1-162-288-31	CERAMIC	330PF	10%	50V	
C84		1-162-282-31	CERAMIC	100PF	10%	50V						
C85		1-162-292-31	CERAMIC	680PF	10%	50V	1-162-294-31	CERAMIC	0.001uF	10%	50V	
C86		1-162-282-31	CERAMIC	100PF	10%	50V	1-162-294-31	CERAMIC	0.001uF	10%	50V	
C87		1-162-282-31	CERAMIC	100PF	10%	50V	1-162-294-31	CERAMIC	0.001uF	10%	50V	
C88		1-162-282-31	CERAMIC	100PF	10%	50V	1-162-294-31	CERAMIC	0.001uF	10%	50V	
C90		1-161-494-00	CERAMIC	0.022uF		25V	1-164-159-11	CERAMIC	0.1uF		50V	
D01		8-719-911-19	DIODE	ISS119-25			8-719-991-33	DIODE	ISS133T			
D04		8-719-921-41	DIODE	ISS113T			8-719-921-41	DIODE	MTZJ-5.1			
D04A		8-719-991-33	DIODE	ISS176			8-719-991-33	DIODE	ISS133T			
IC02		8-759-388-27	IC	TC9173P			8-759-234-75	IC	TC74HC4094AP			
IC03		8-759-429-31	IC	BA5941FP			8-759-579-80	IC	BA5936S			
R03		1-249-397-11	CARBON	22	5%	1/4W	1-249-393-11	CARBON	10	5%	1/4W	
R14		1-247-879-11	CARBON	100K	5%	1/4W	1-249-438-11	CARBON	56K	5%	1/4W	
R15		1-247-881-00	CARBON	120K	5%	1/4W	1-249-440-11	CARBON	82K	5%	1/4W	
R26		1-247-855-11	CARBON	10K	5%	1/4W	1-249-431-11	CARBON	15K	5%	1/4W	
R27		1-249-430-11	CARBON	12K	5%	1/4W	1-249-385-11	CARBON	2.2	5%	1/4W	
R28		1-247-855-11	CARBON	10K	5%	1/4W	1-274-871-11	CARBON	47K	5%	1/4W	
R36		1-247-847-11	CARBON	4.7K	5%	1/4W	1-249-411-11	CARBON	330	5%	1/4W	
R50		1-247-847-11	CARBON	4.7K	5%	1/4W	1-247-867-11	CARBON	33K	5%	1/4W	
76		R53	1-249-411-11	CARBON	330	5%	1/4W	1-249-432-11	CARBON	18K	5%	1/4W
		R58	1-249-442-11	CARBON	510	5%	1/4W	1-249-417-11	CARBON	1K	5%	1/4W
		R65	1-247-864-11	CARBON	24K	5%	1/4W	1-247-867-11	CARBON	33K	5%	1/4W
		R66	1-247-864-11	CARBON	24K	5%	1/4W	1-247-867-11	CARBON	33K	5%	1/4W
	R67	1-247-864-11	CARBON	24K	5%	1/4W	1-247-867-11	CARBON	33K	5%	1/4W	
	R68	1-247-864-11	CARBON	24K	5%	1/4W	1-247-867-11	CARBON	33K	5%	1/4W	
	R79	1-249-405-11	CARBON	100	5%	1/4W	1-249-409-11	CARBON	220	5%	1/4W	
	R89	1-247-839-11	CARBON	2.2K	5%	1/4W	1-249-432-11	CARBON	18K	5%	1/4W	
	R90	1-247-839-11	CARBON	2.2K	5%	1/4W	1-247-855-11	CARBON	10K	5%	1/4W	
	R91	1-247-839-11	CARBON	2.2K	5%	1/4W	1-249-432-11	CARBON	18K	5%	1/4W	
	R92	1-247-839-11	CARBON	2.2K	5%	1/4W	1-247-855-11	CARBON	10K	5%	1/4W	
	R93	1-249-420-11	CARBON	1.8K	5%	1/4W	1-247-867-11	CARBON	33K	5%	1/4W	
	R94	1-249-420-11	CARBON	1.8K	5%	1/4W	1-247-863-11	CARBON	22K	5%	1/4W	
	81	*						1-670-801-11	MOTOR BOARD			

C01								<CAPACITOR>				
C82							1-126-963-11	ELECT	4.7uF	20%	50V	
						1-164-159-11	CERAMIC	0.1uF		50V		
								<CONNECTOR>				
* CN06						1-568-824-11	SOCKET, CONNECTOR	5P				

Indicates corrected portion

