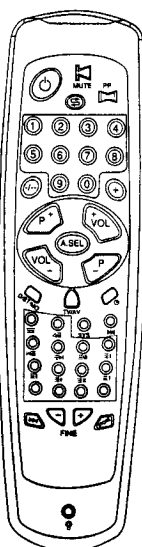
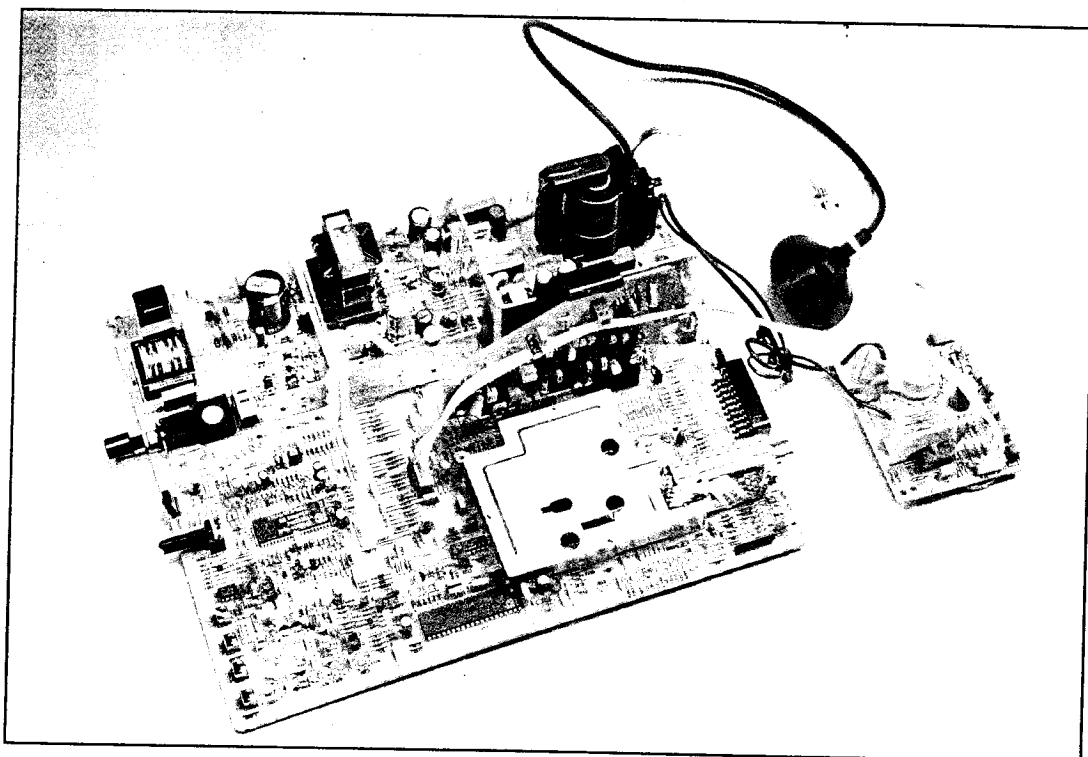
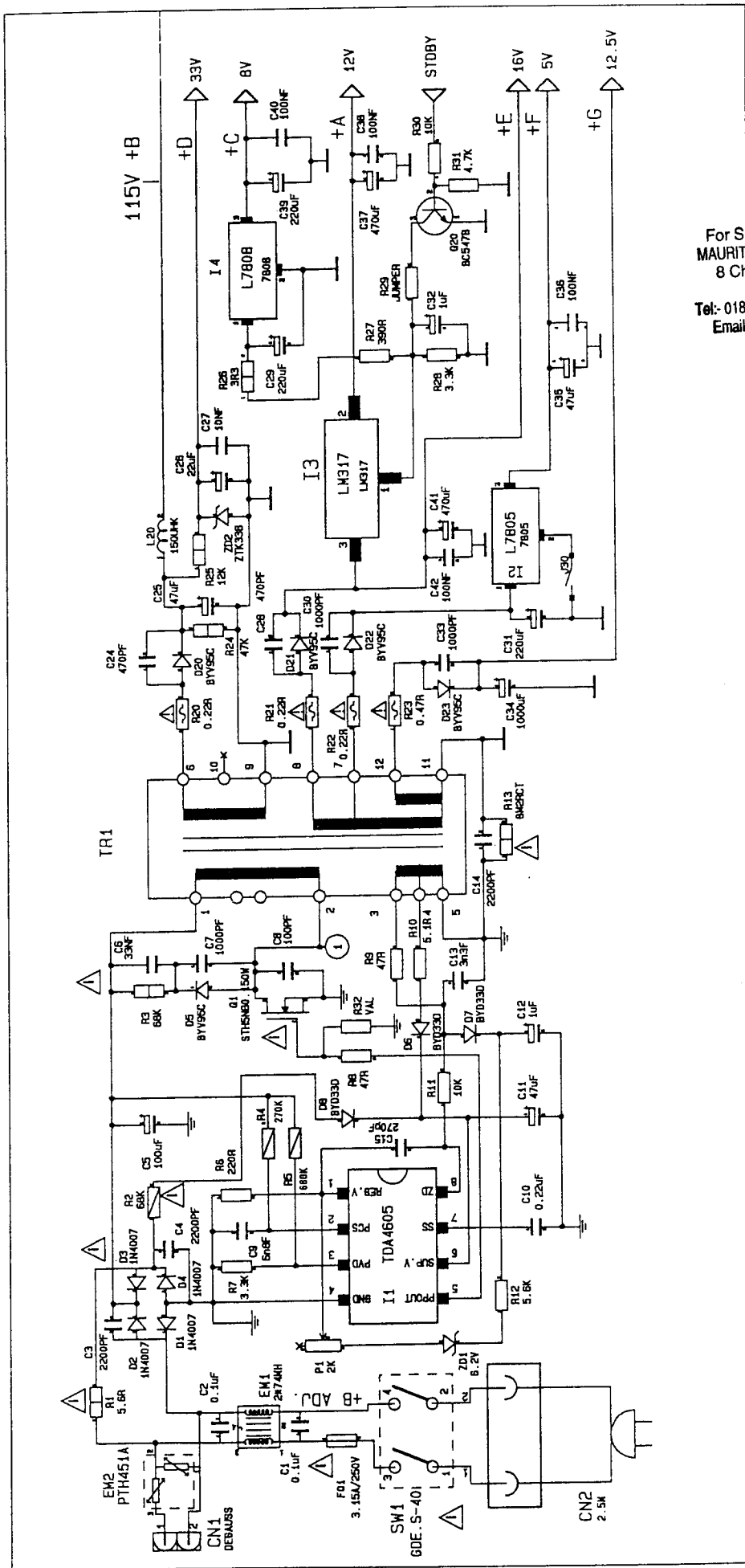


# SERVICE MANUAL

## PT-II CHASSIS

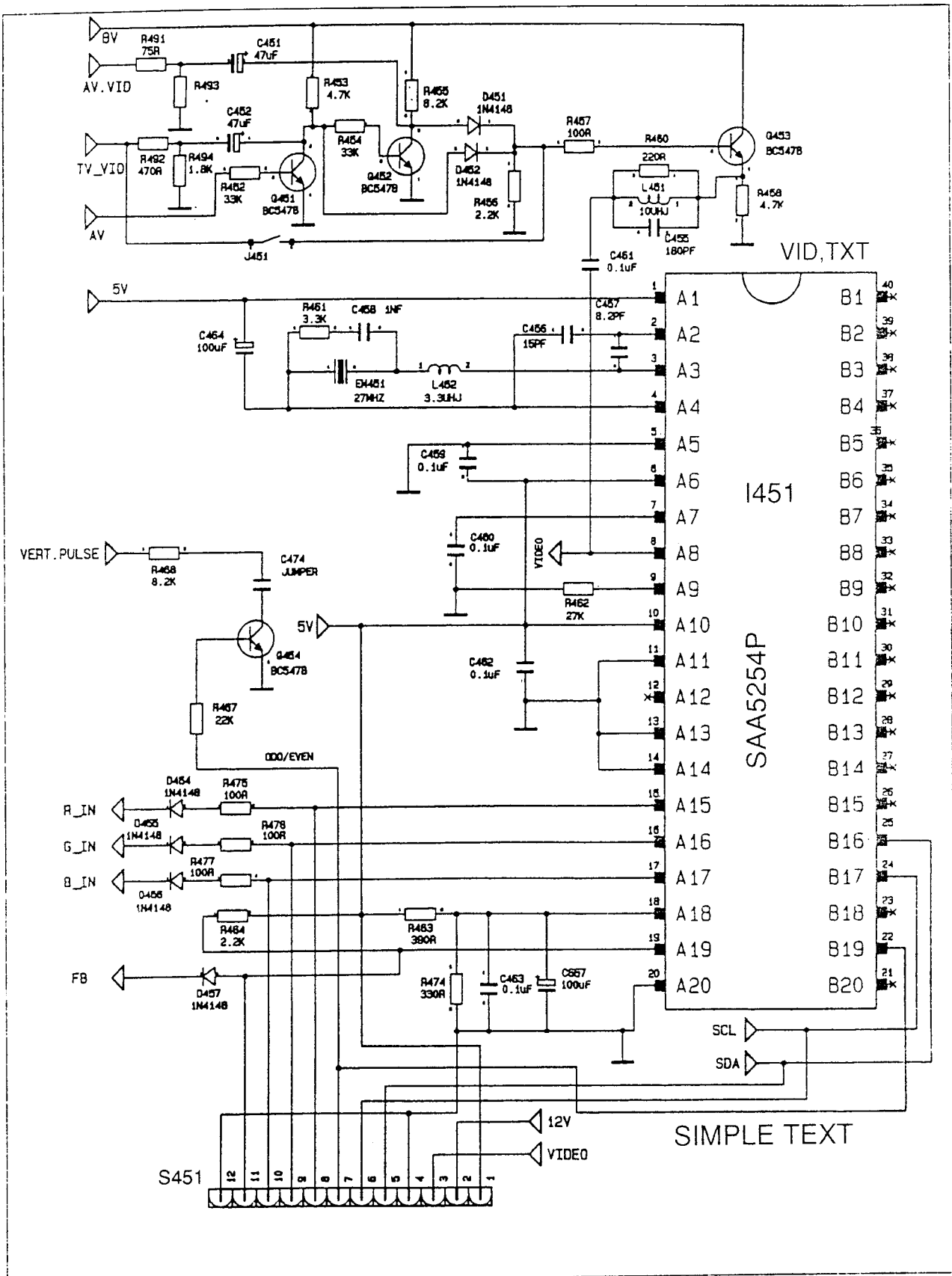
For Service Manuals Contact  
MAURITRON TECHNICAL SERVICES  
8 Cherry Tree Rd, Chinnor  
Oxon OX9 4QY  
Tel:- 01844-351694 Fax:- 01844-352554  
Email:- enquiries@mauritron.co.uk



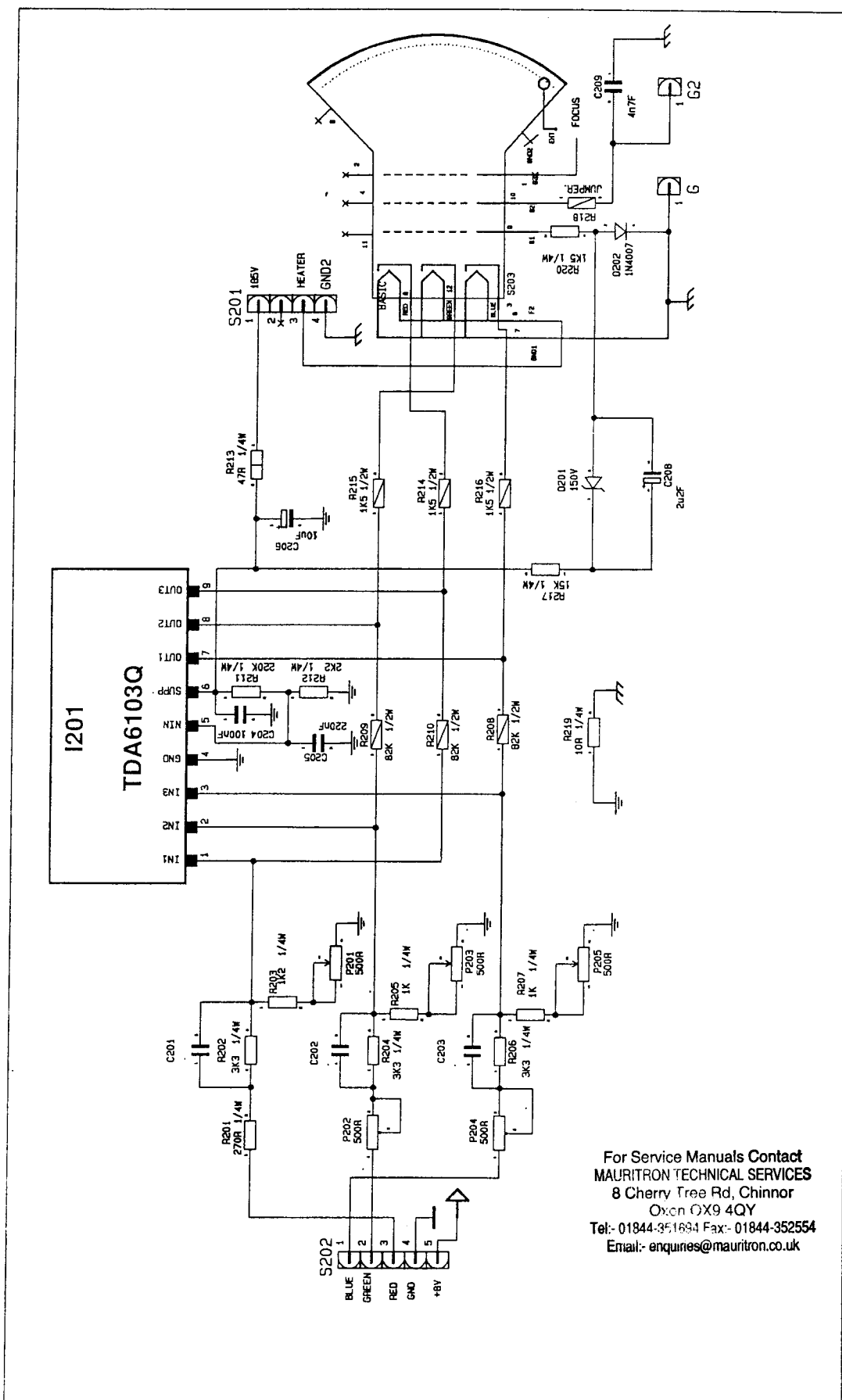


For Service Manuals Contact  
 MAURITRON TECHNICAL SERVICES  
 8 Cherry Tree Rd, Chinnor  
 Oxon OX9 4QY  
 Tel:- 01844-351634 Fax:- 01844-352554  
 Email:- enquiries@mauritron.co.uk

### SMPS STAGE CIRCUIT DIAGRAM

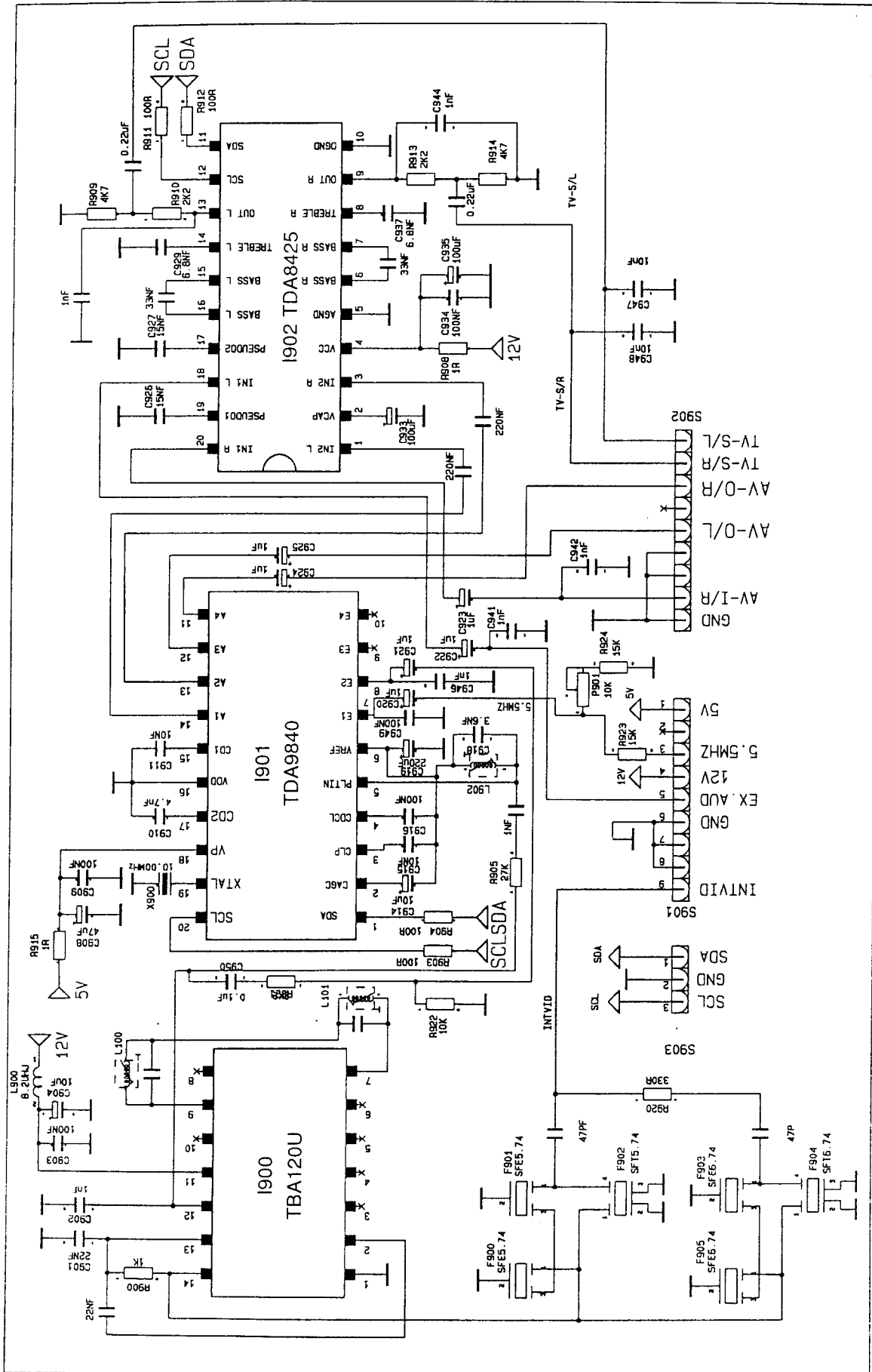


**SIMPLE TEXT PART CIRCUIT DIAGRAM**



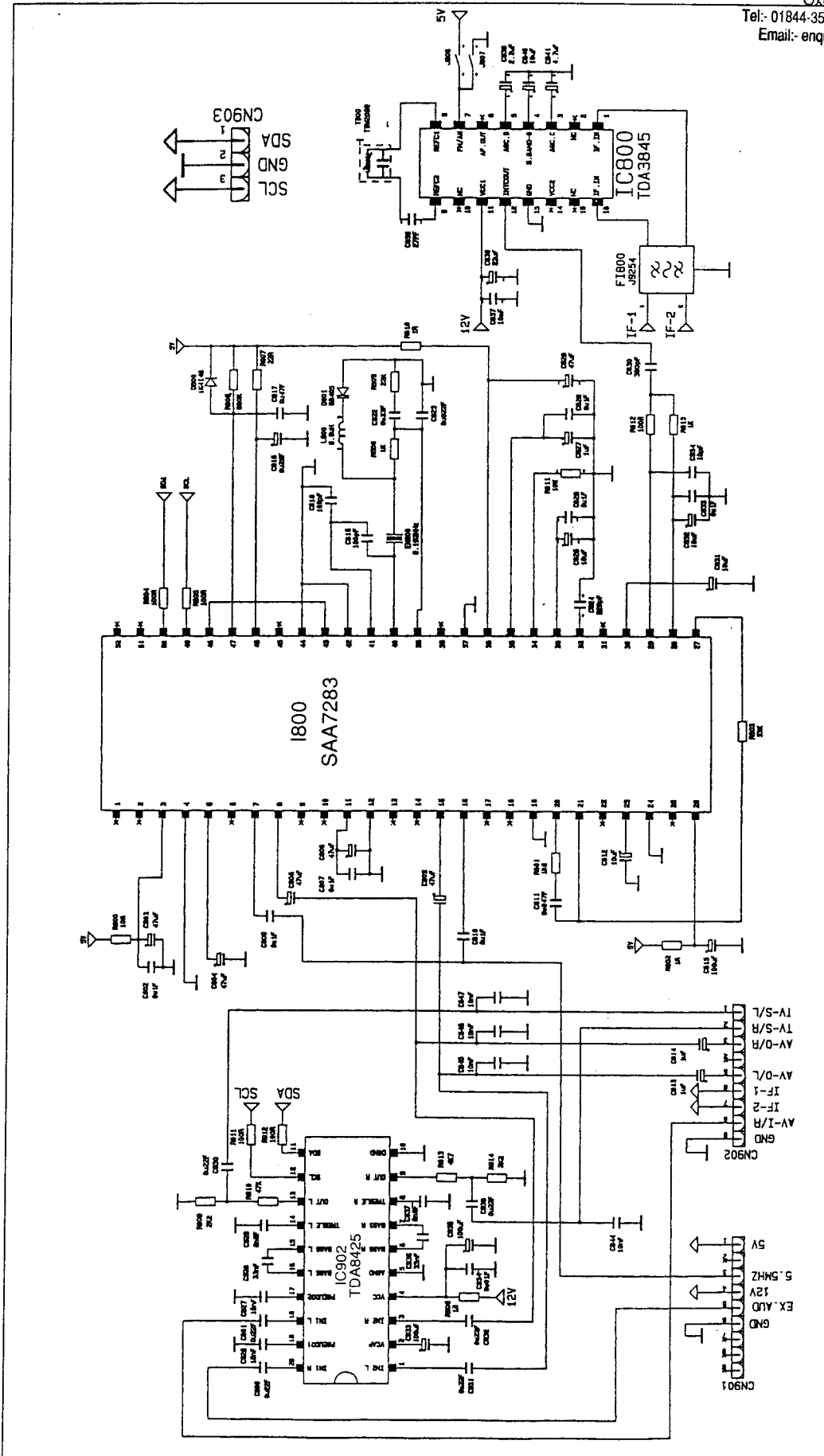
**CRT BOARD CIRCUIT DIAGRAM**

For Service Manuals Contact  
 MAURITRON TECHNICAL SERVICES  
 8 Cherry Tree Rd, Chinnor  
 Oxon OX9 4QY  
 Tel:- 01844-351634 Fax:- 01844-352554  
 Email:- enquiries@mauritron.co.uk



GERMAN STEREO BOARD CIRCUIT DIAGRAM

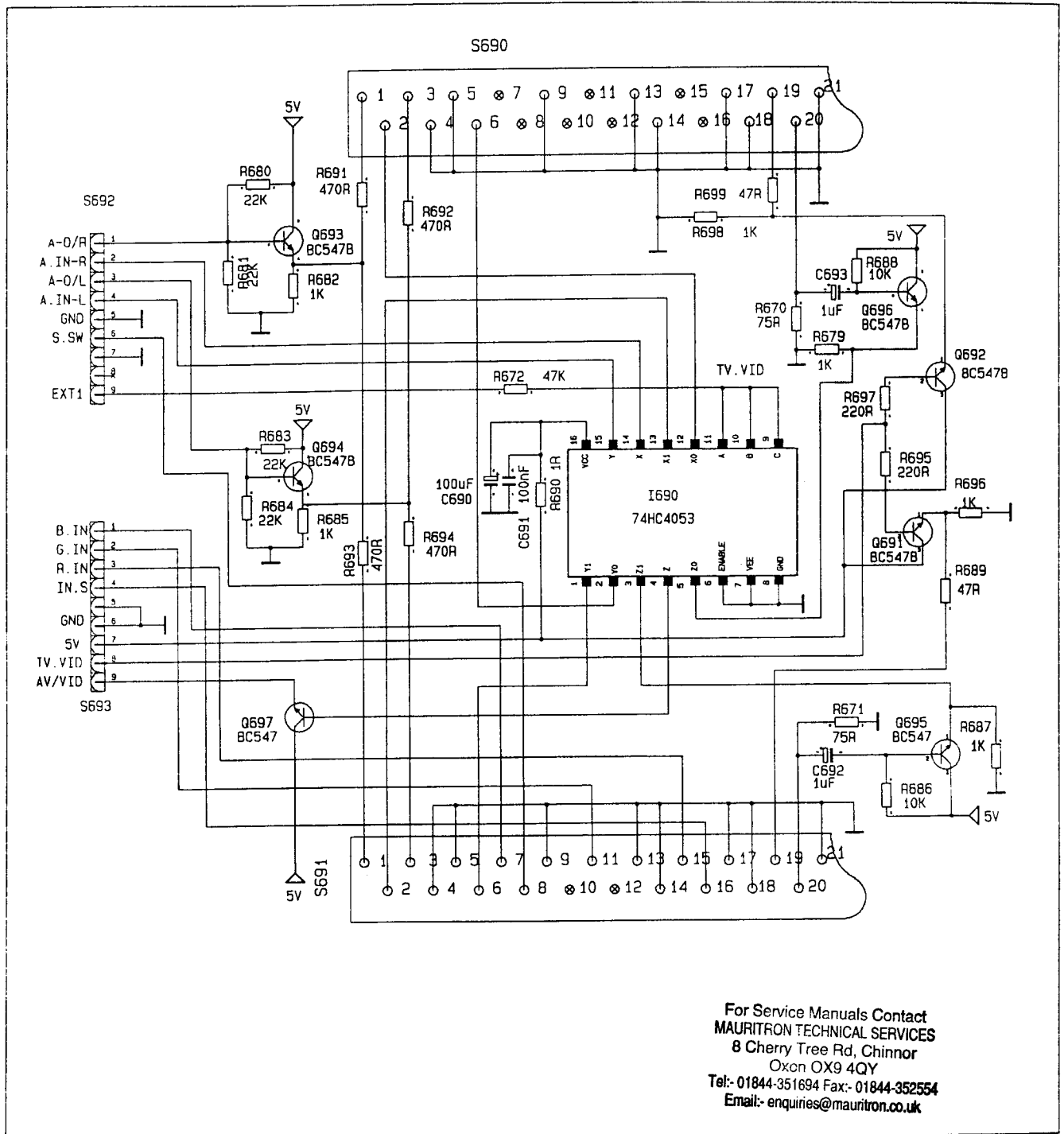
For Service Manuals Contact  
 MAURITRON TECHNICAL SERVICES  
 8 Cherry Tree Rd, Chinnor  
 Oxon OX9 4QY  
 Tel: 01844-351684 Fax: 01844-352554  
 Email: enquiries@mauritron.co.uk



**NICAM BOARD CIRCUIT DIAGRAM**

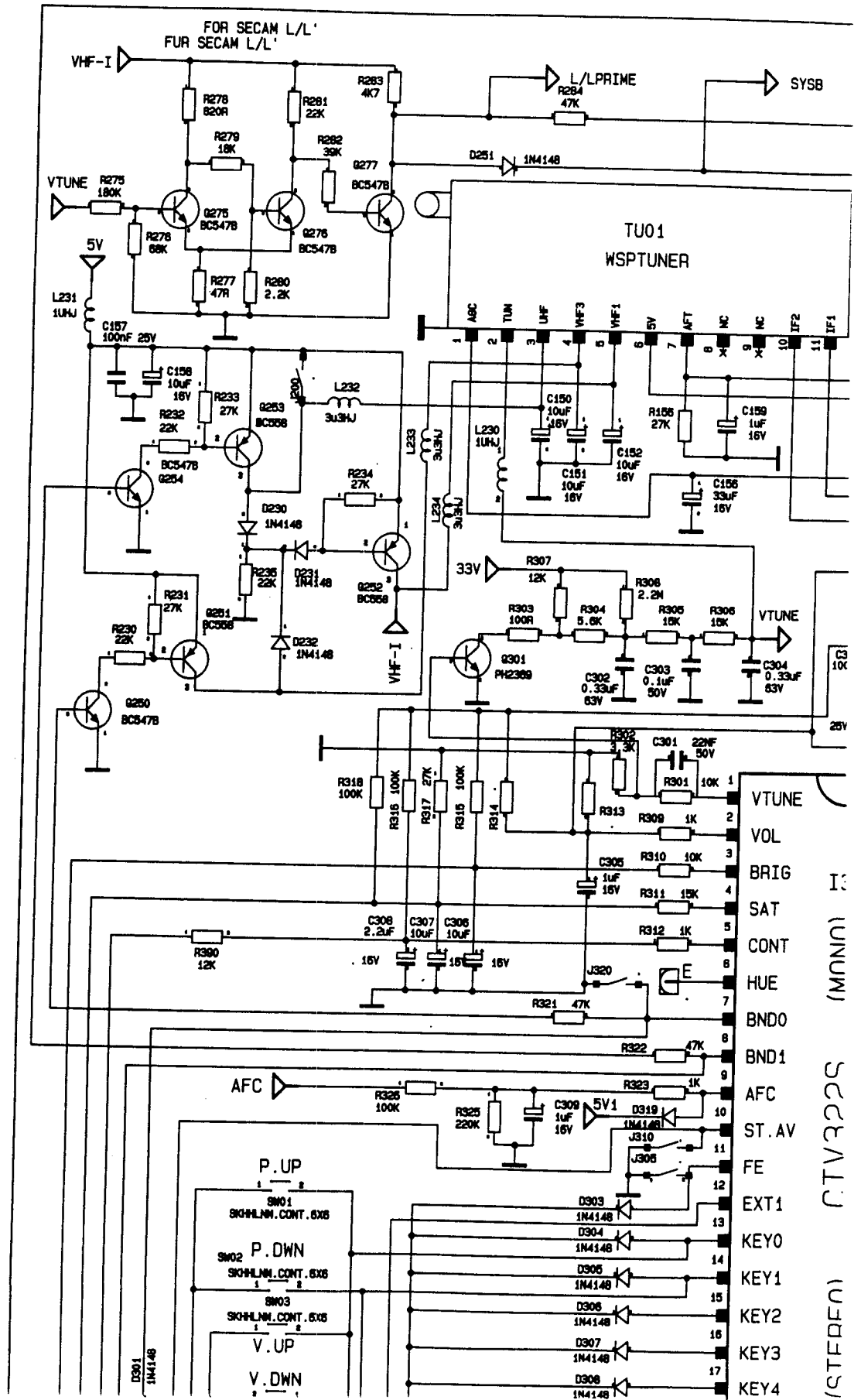


# DOUBLE SCART BOARD CIRCUIT DIAGRAM

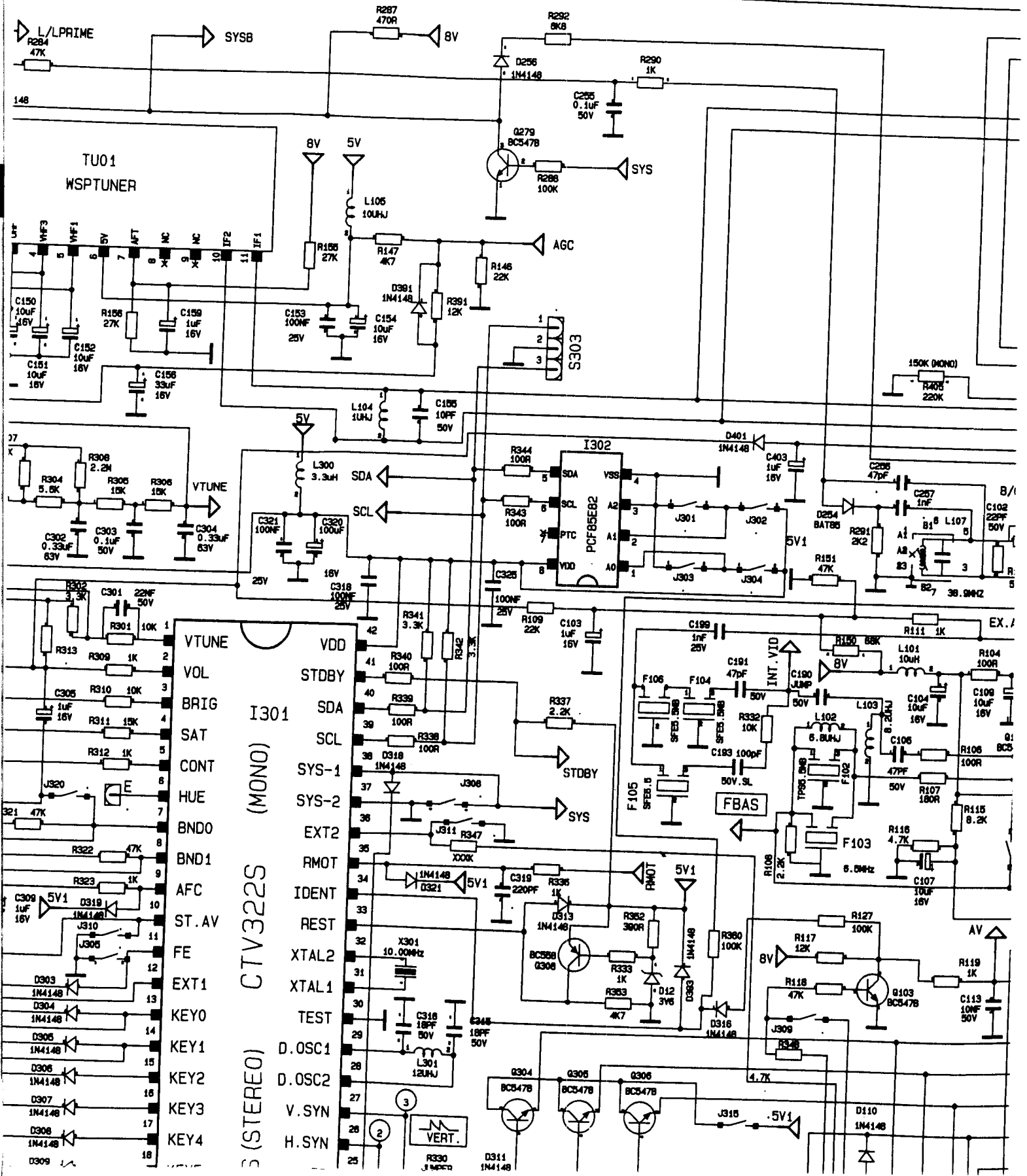




For Service Manuals Contact  
**MAURITRON TECHNICAL SERVICES**  
 8 Cherry Tree Rd, Chinnor  
 Oxon OX9 4QY  
 Tel: 01844-351694 Fax: 01844-352554  
 Email: enquiries@mauritron.co.uk

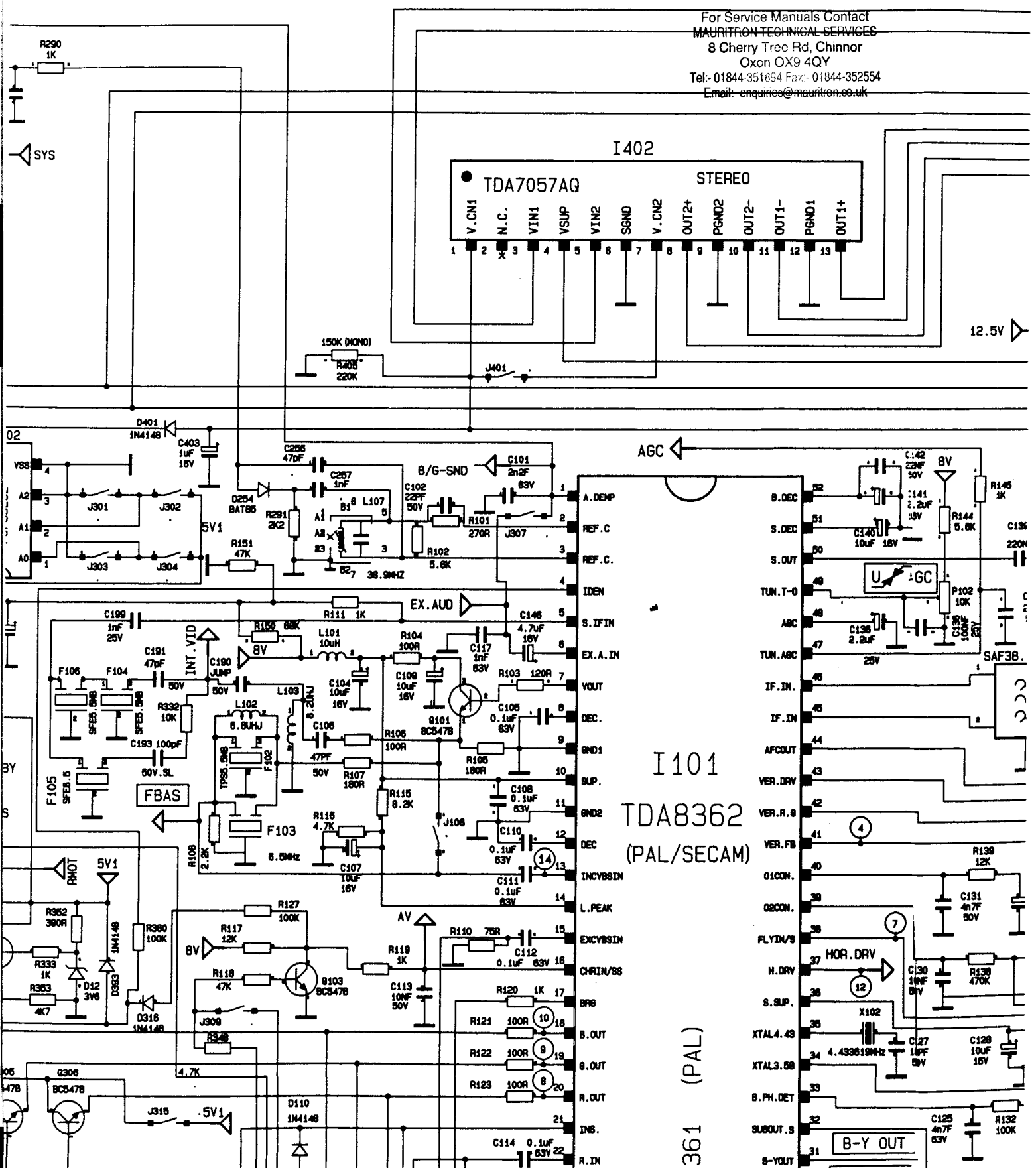


# PT 11 CHASSIS CIRCUIT

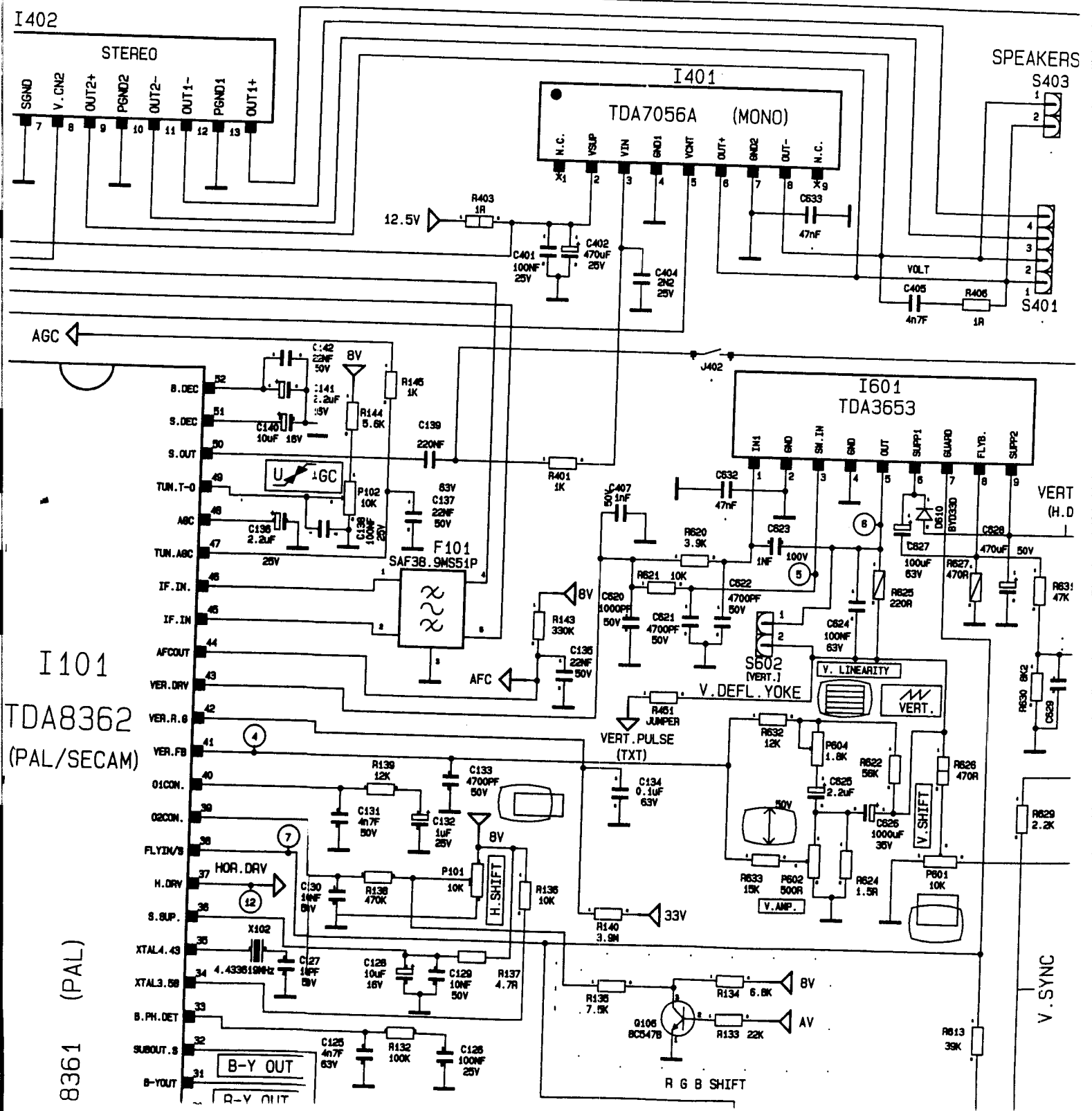


# CHASSIS CIRCUIT DIAGRAM / PT 11 SCH

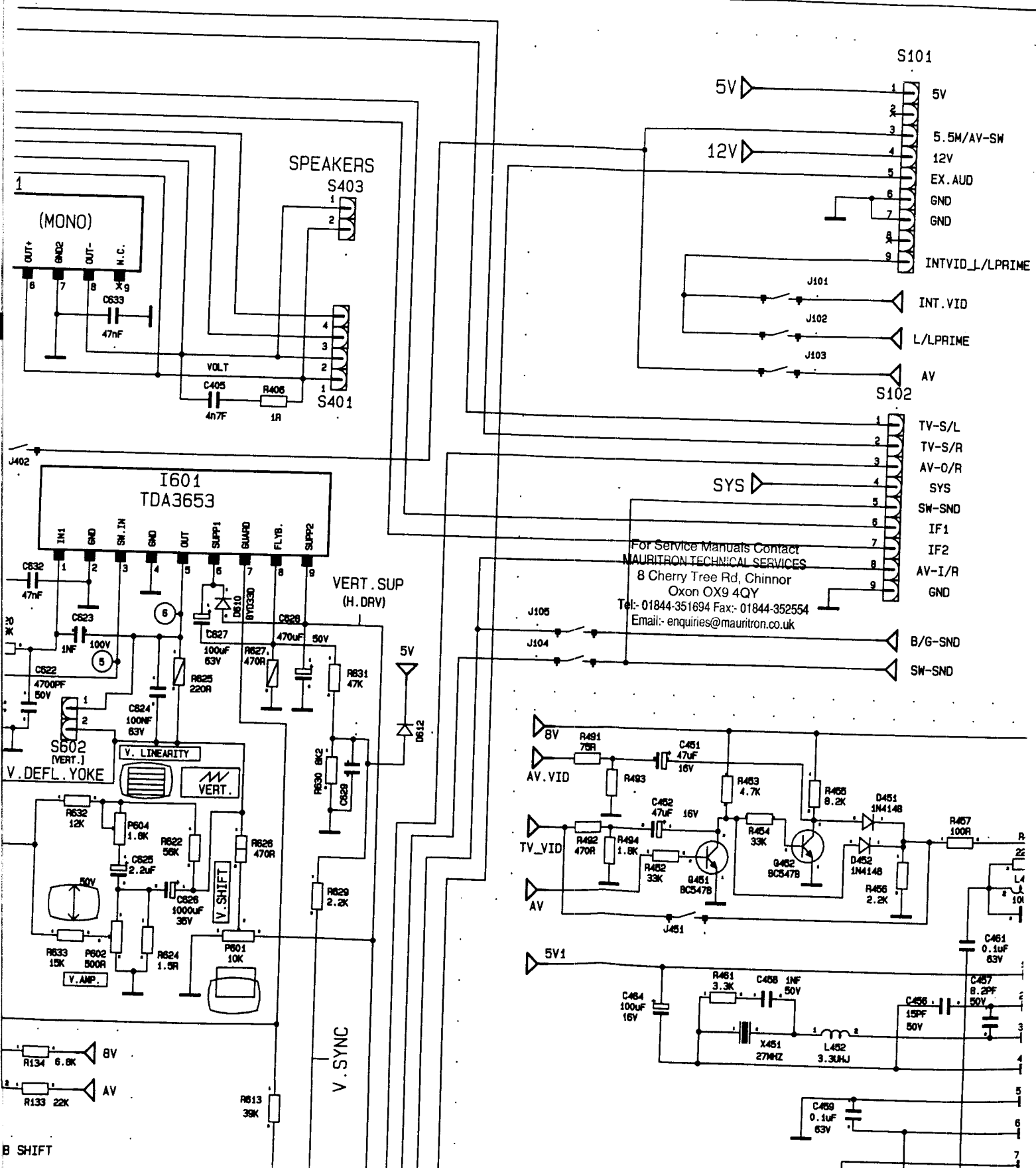
For Service Manuals Contact  
 MAURITRON TECHNICAL SERVICES  
 8 Cherry Tree Rd, Chinnor  
 Oxon OX9 4QY  
 Tel: 01844-351854 Fax: 01844-352554  
 Email: enquiries@mauritron.co.uk



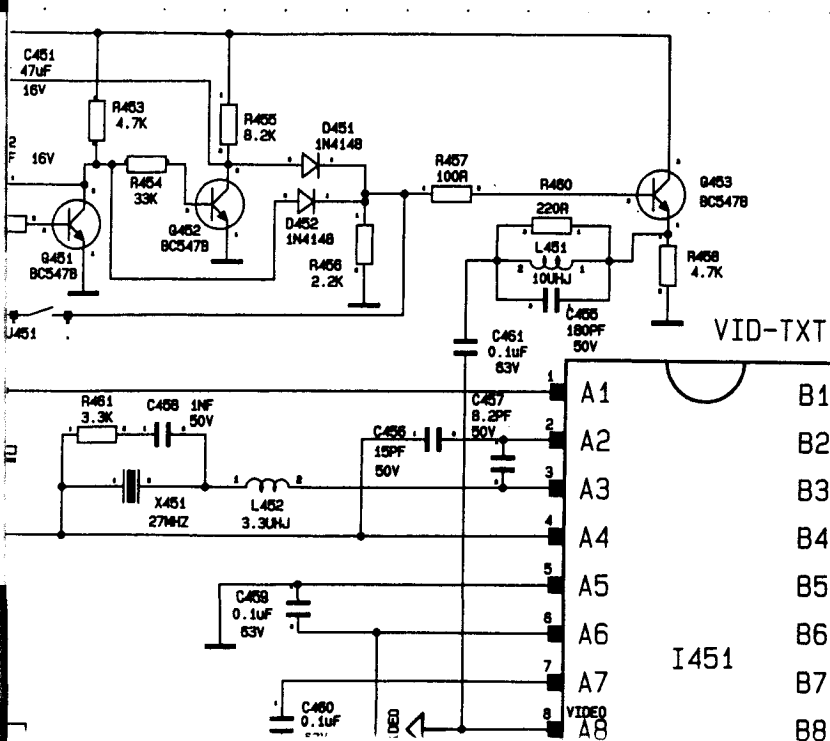
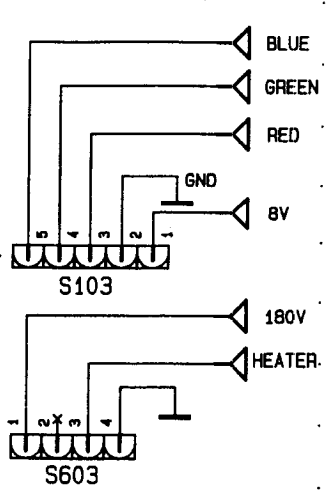
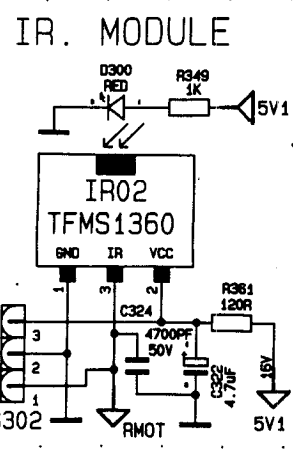
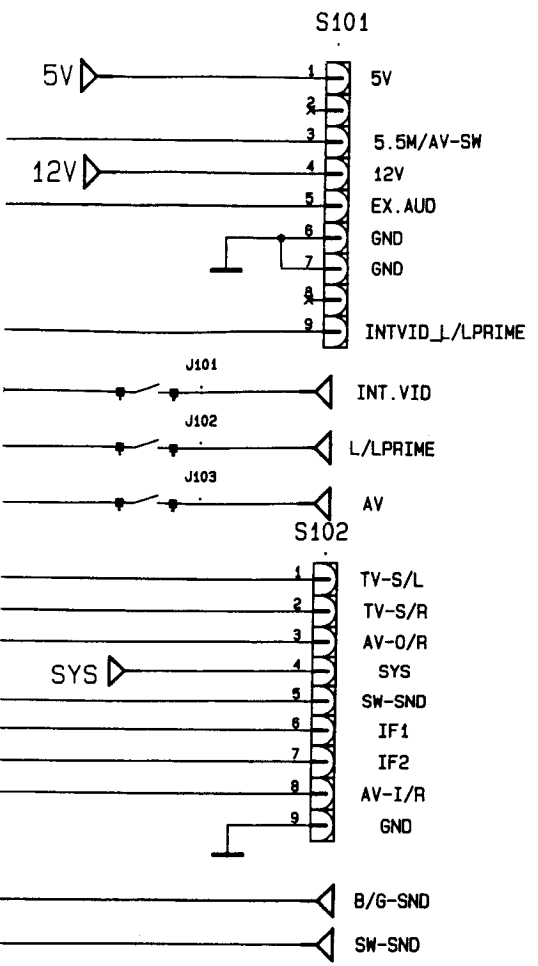
# RAM / PT 11 SCHASSI GESAMTSCHALTP

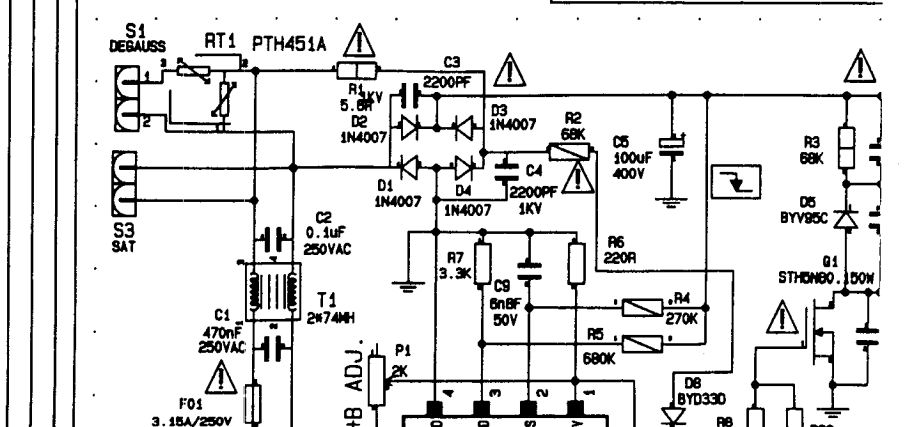
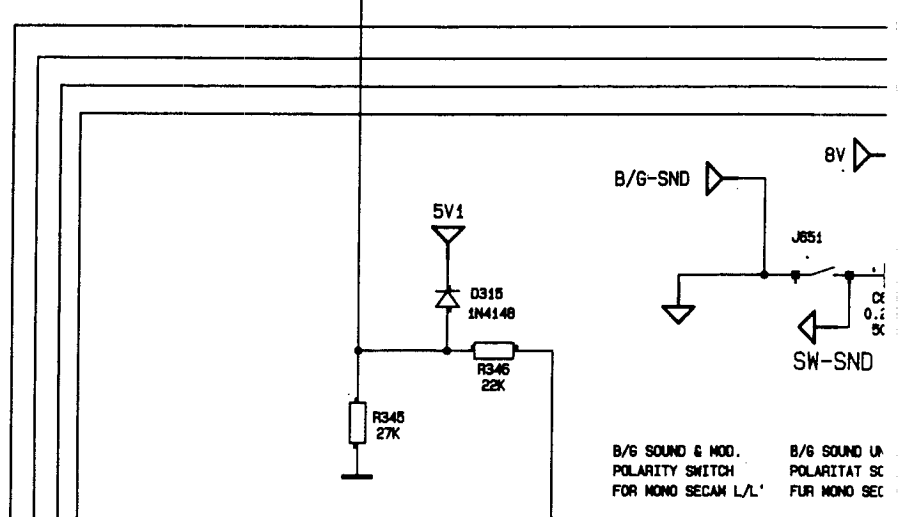
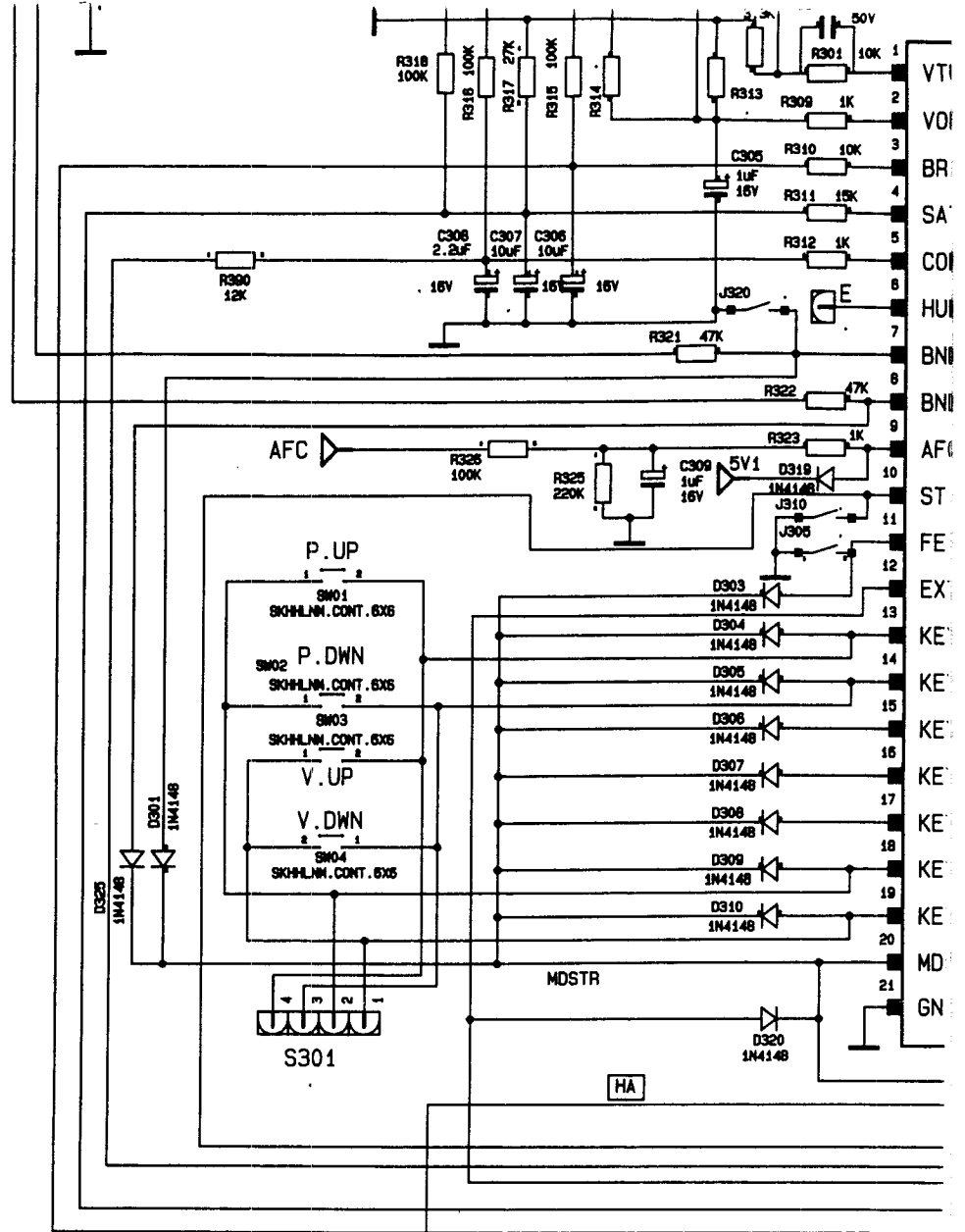


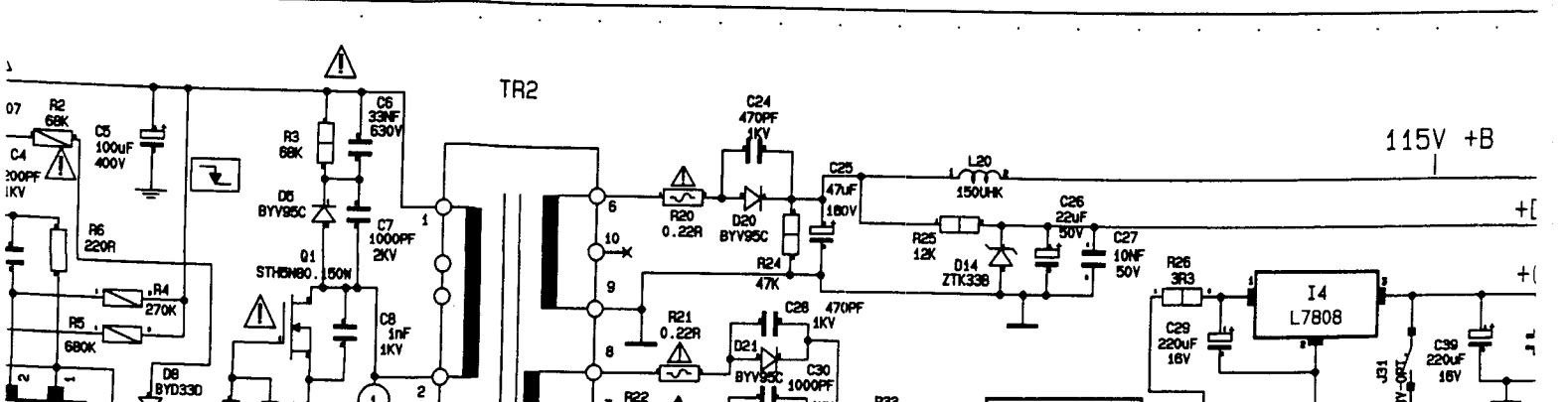
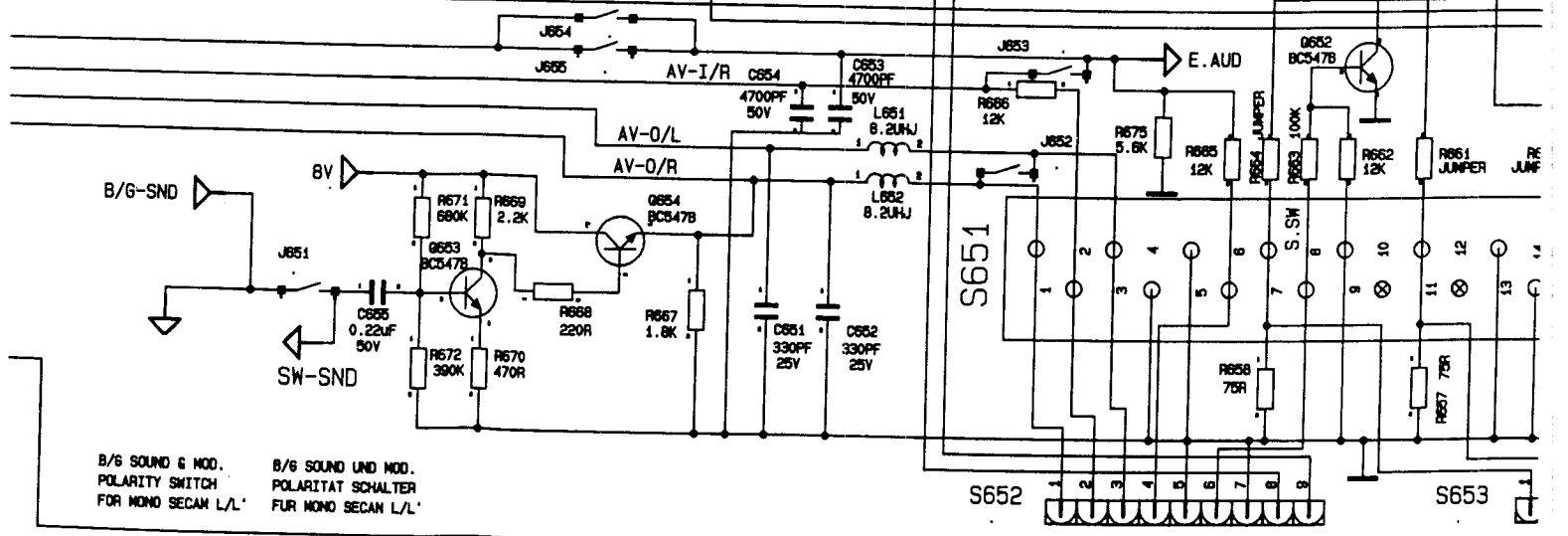
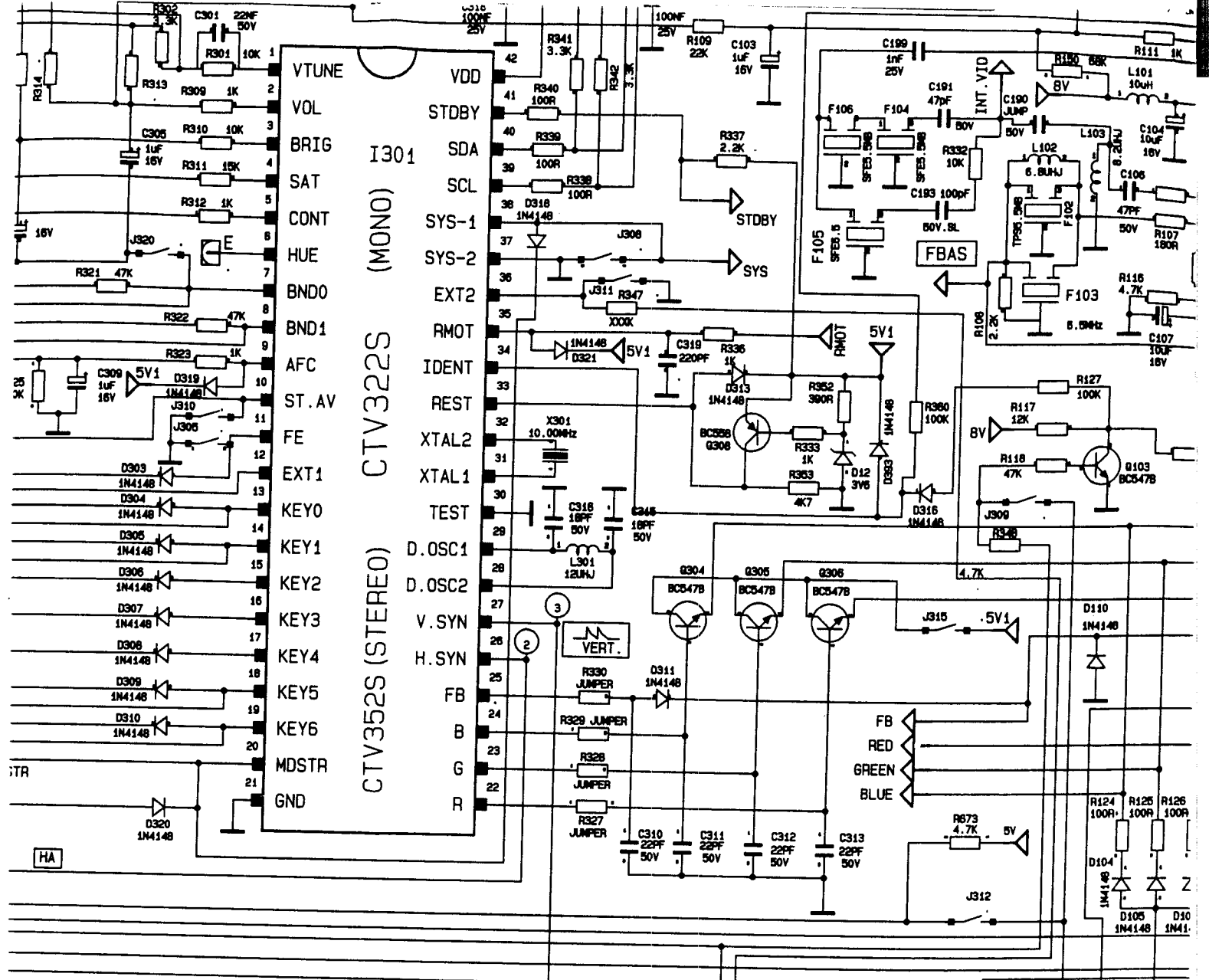
# AMTSCHALTPLAN



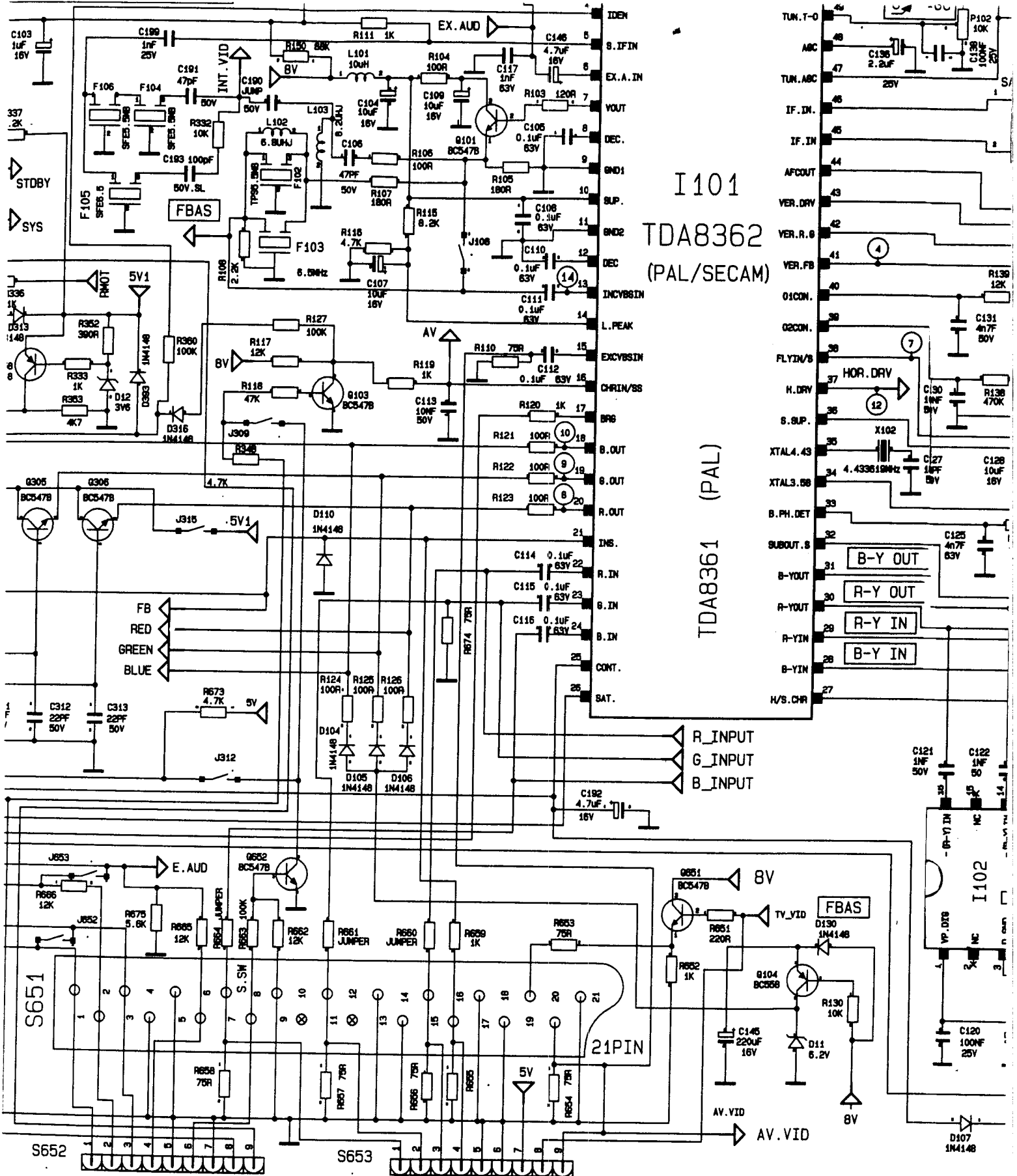
B SHIFT



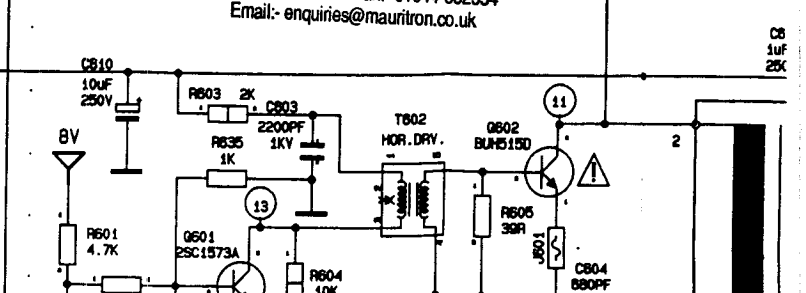
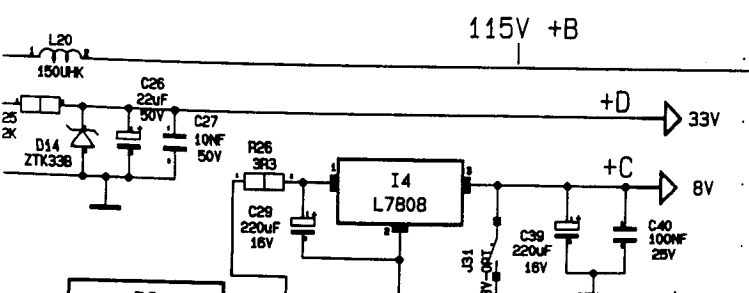


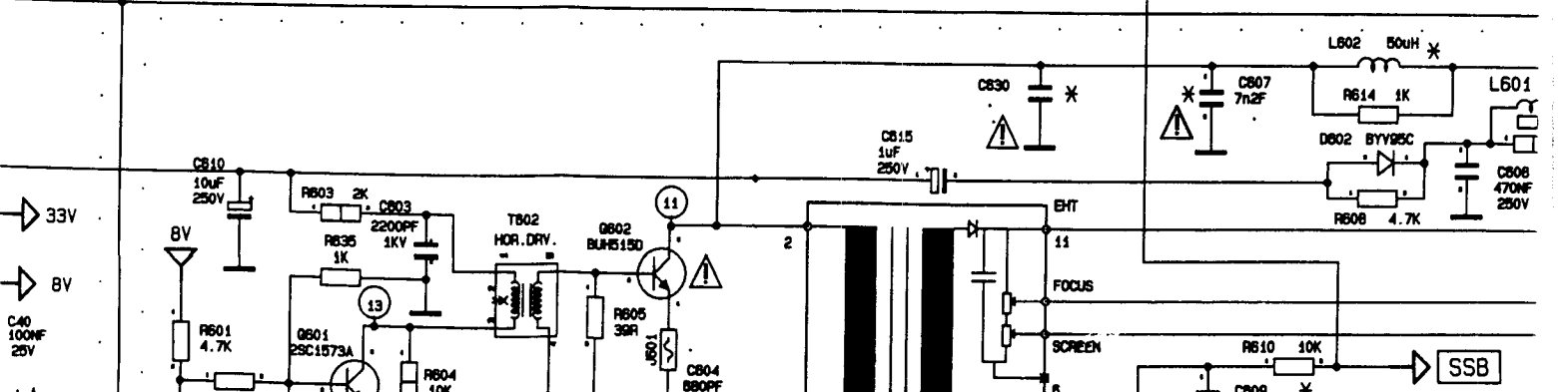
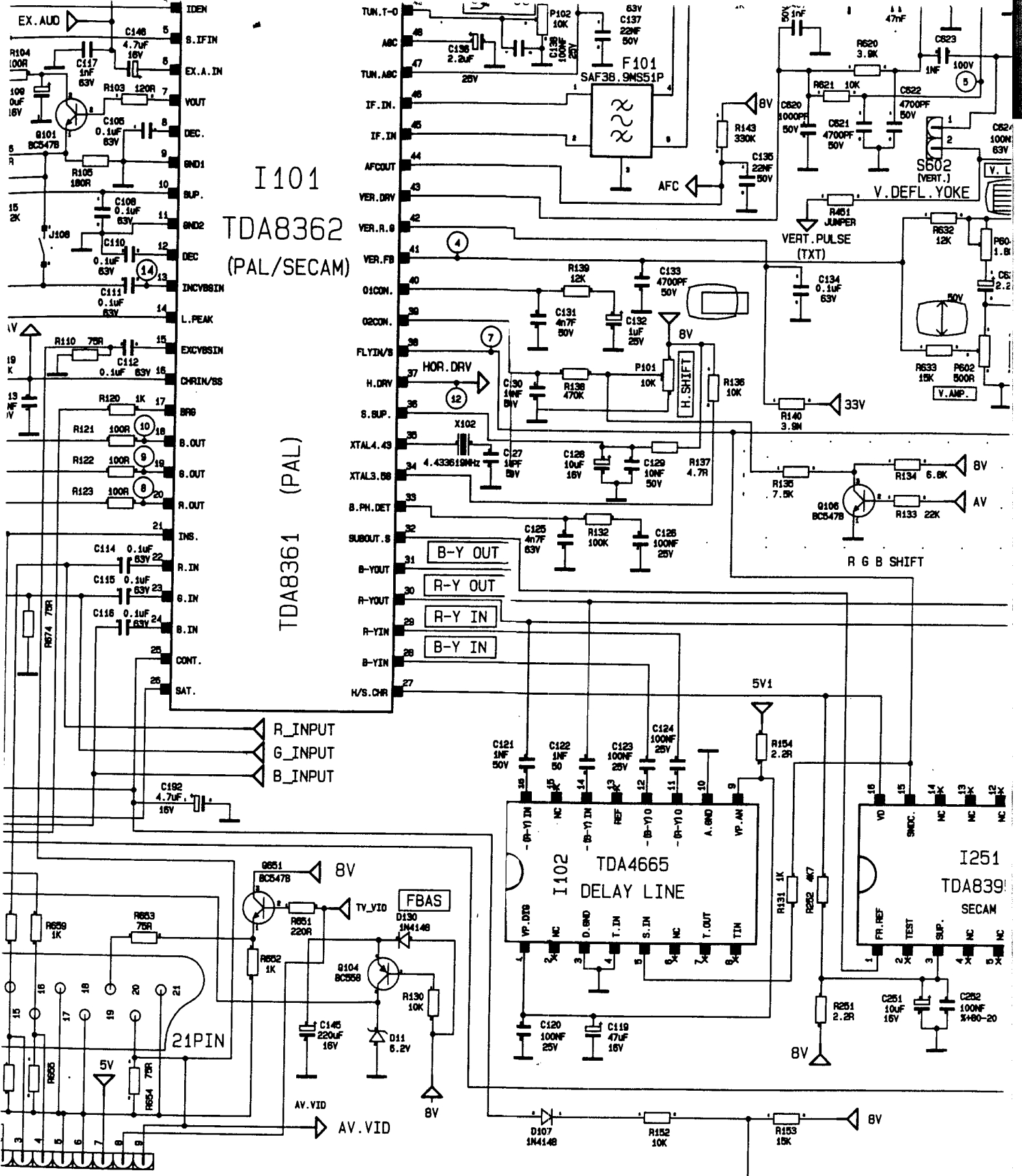


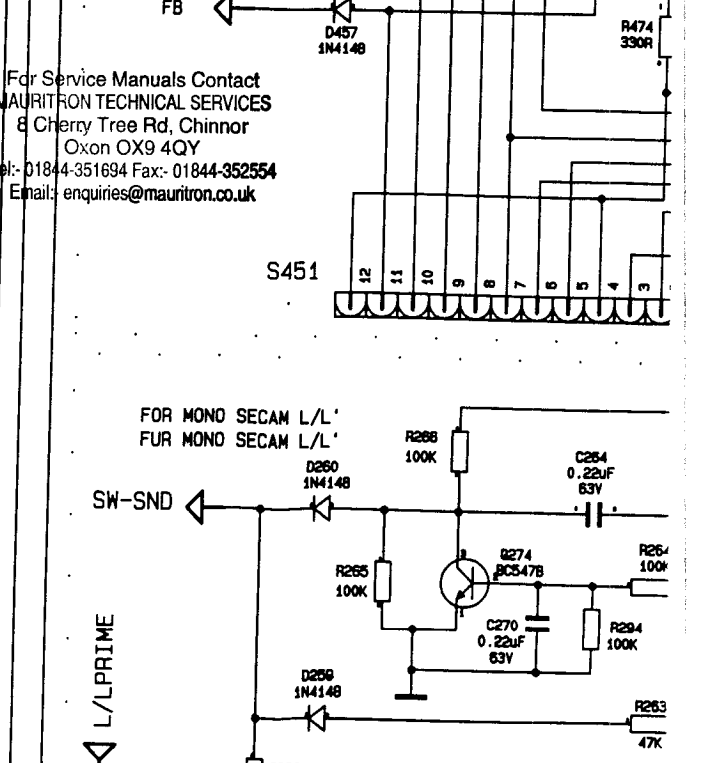
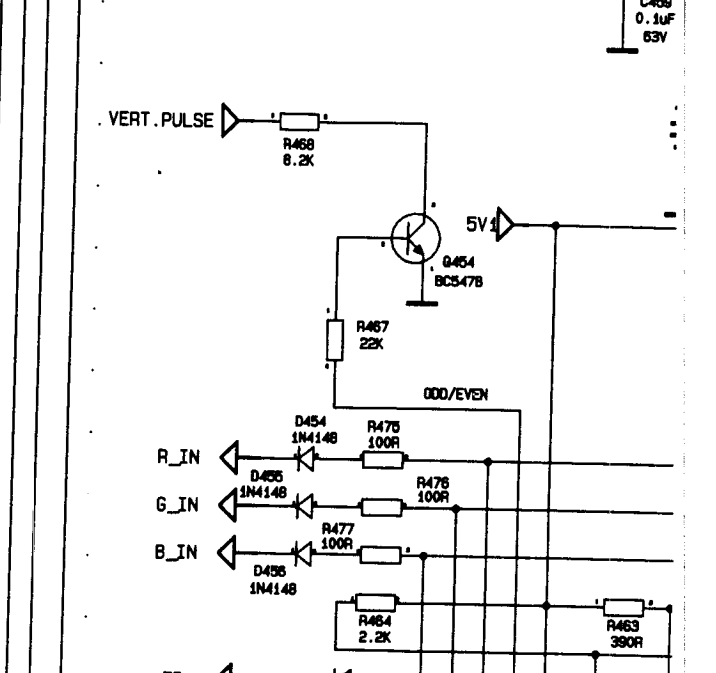
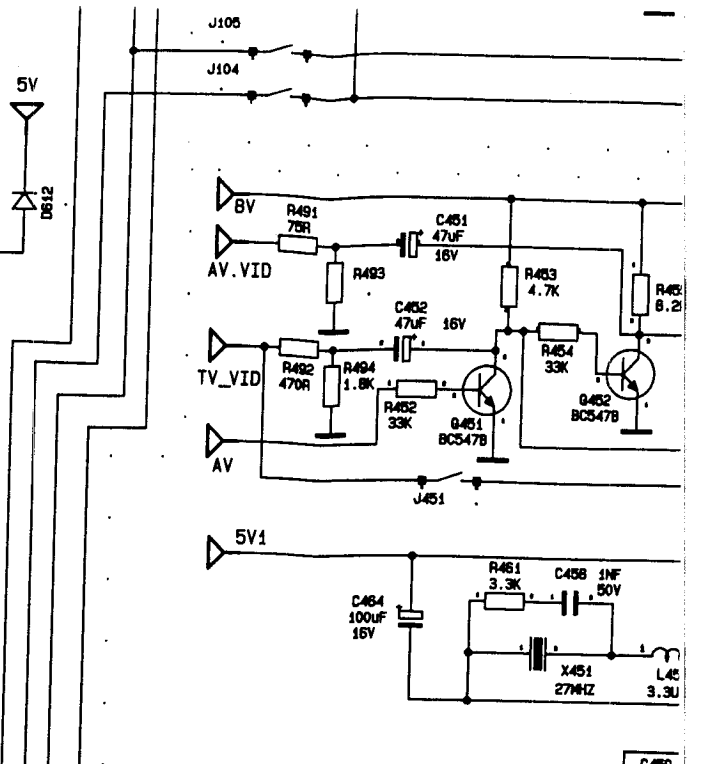
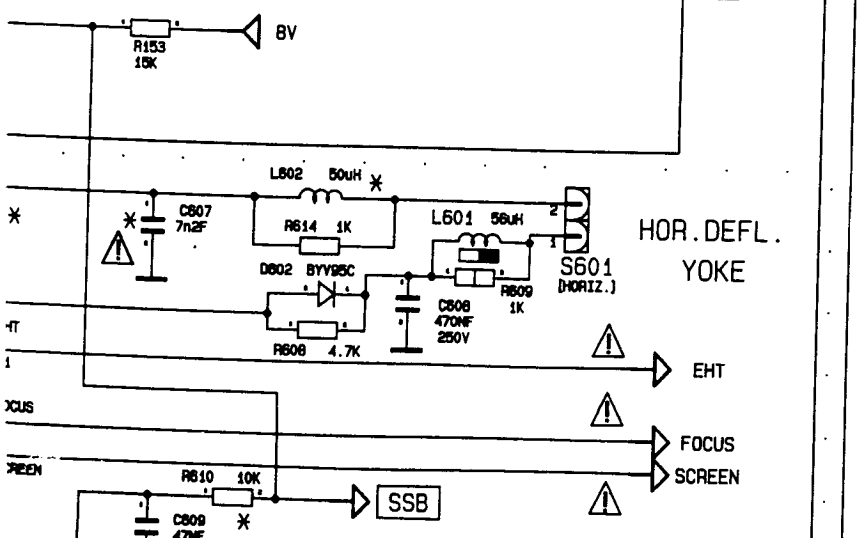
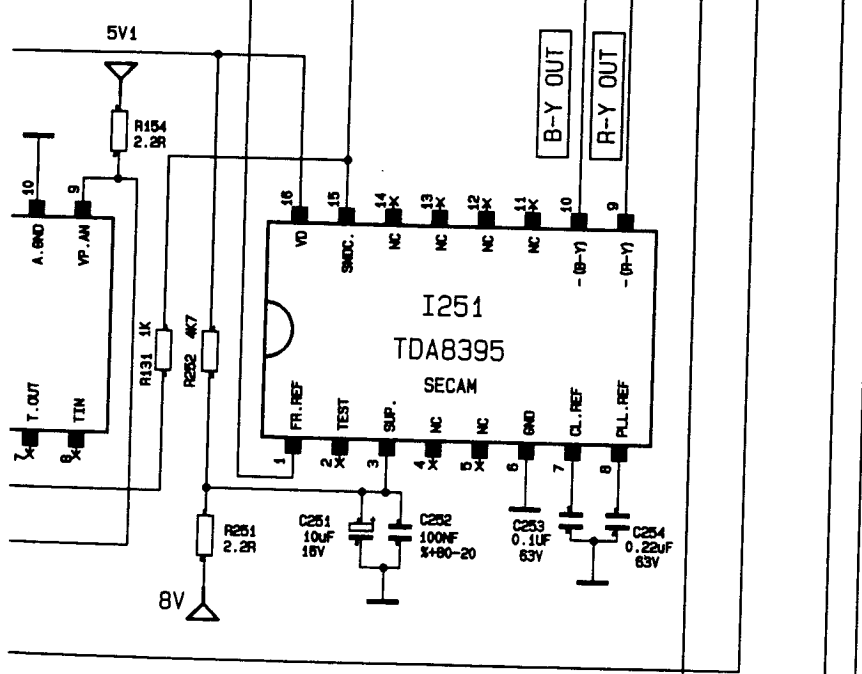
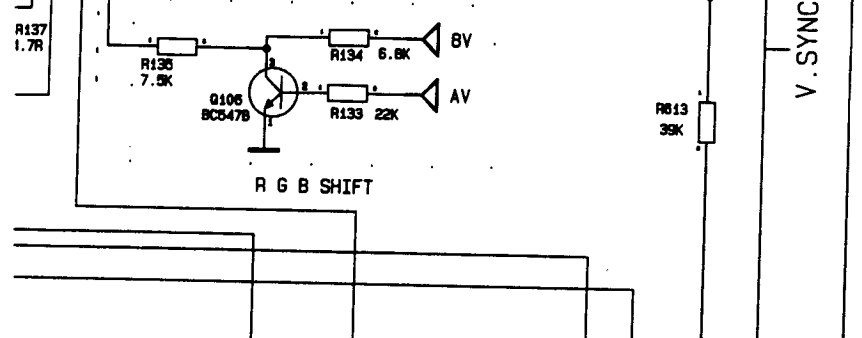
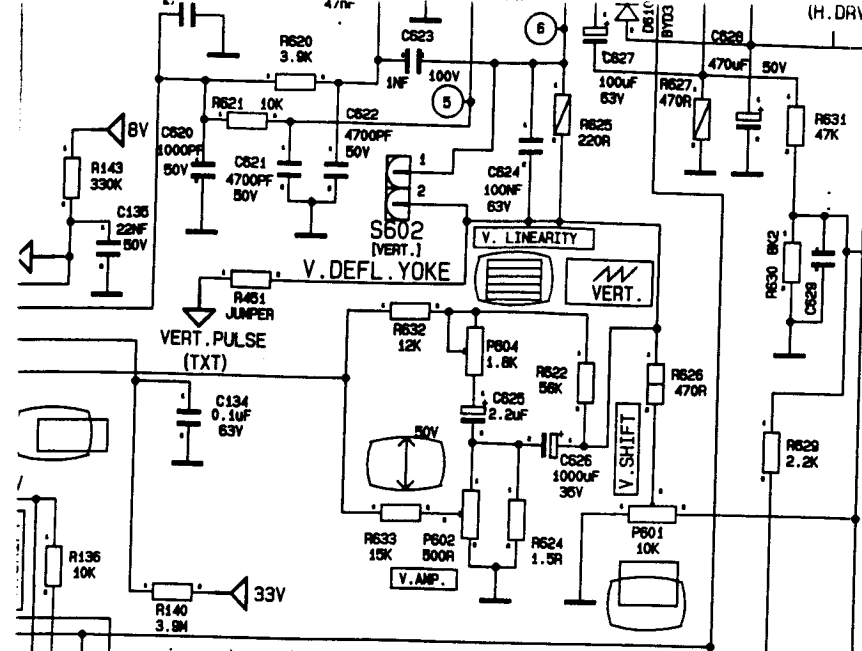




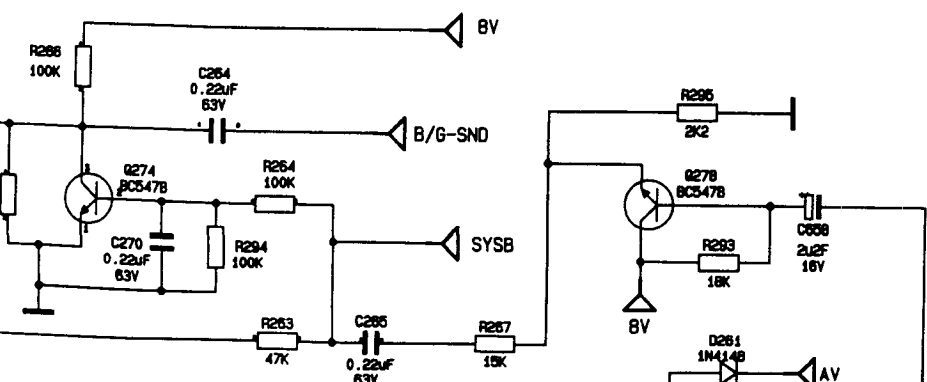
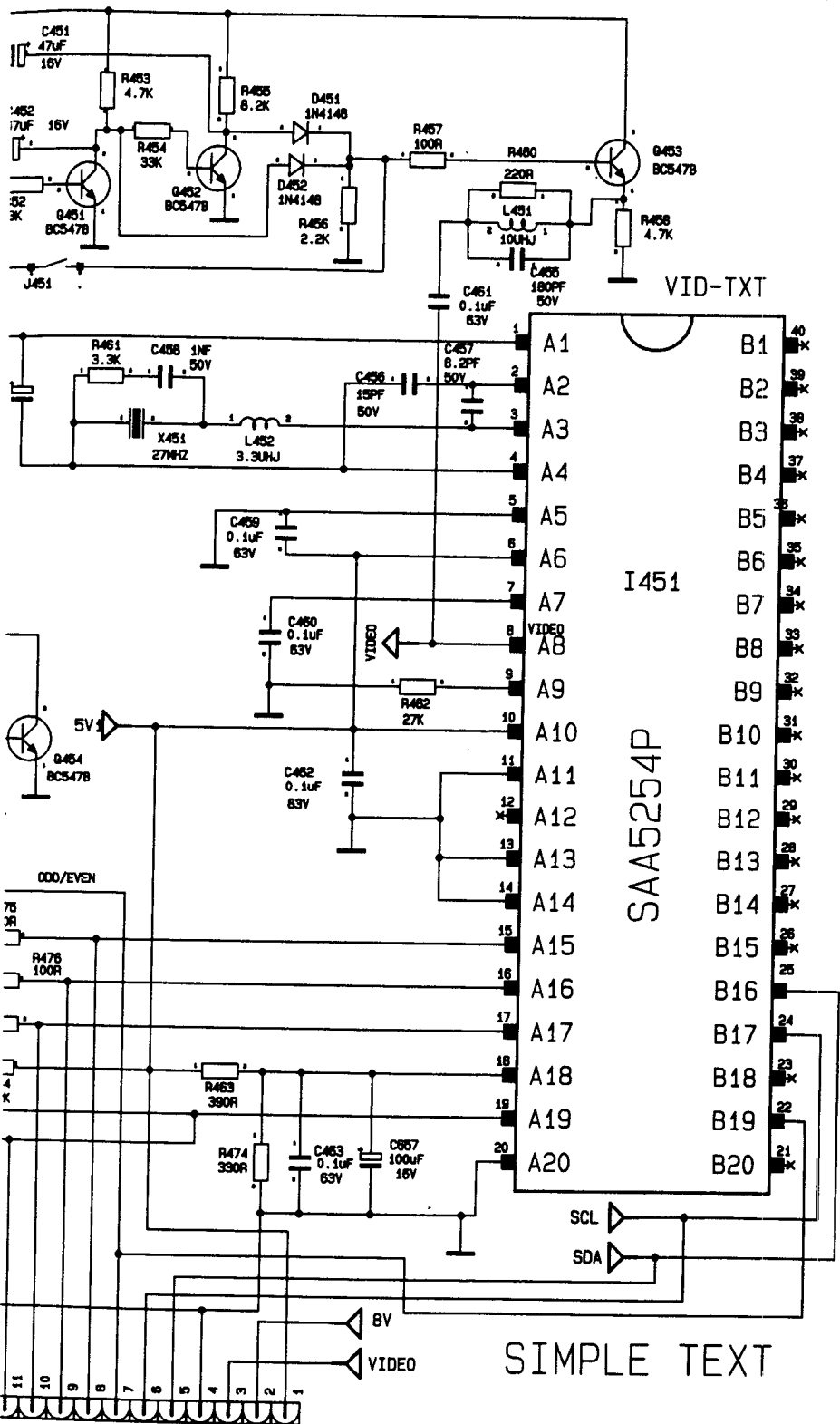
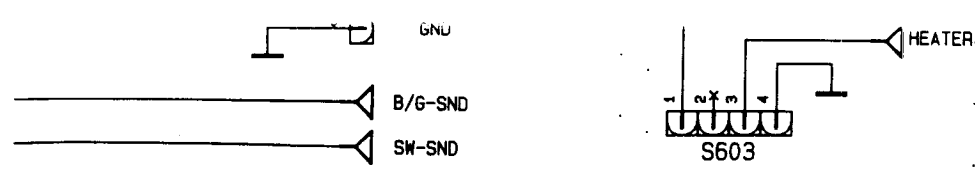
For Service Manuals Contact  
MAURITRON TECHNICAL SERVICES  
8 Cherry Tree Rd, Chinnor  
Oxon OX9 4QY  
Tel: 01844-351694 Fax: 01844-352554  
Email: enquiries@mauritron.co.uk

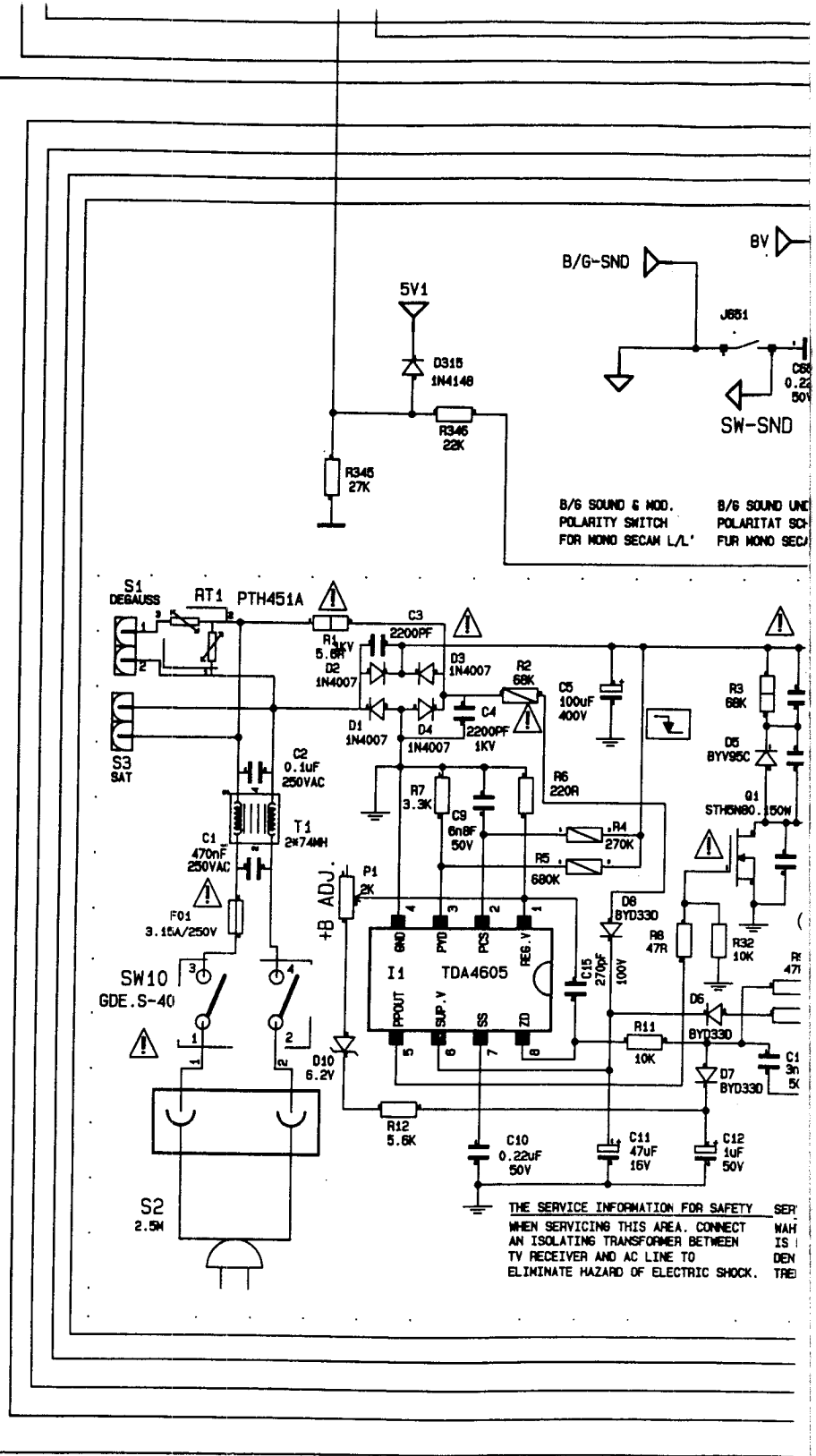




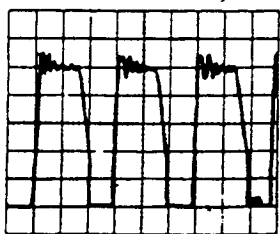


For Service Manuals Contact  
**MAURITRON TECHNICAL SERVICES**  
 8 Cherry Tree Rd, Chinnor  
 Oxon OX9 4QY  
 Tel: 01844-351694 Fax: 01844-352554  
 Email: enquiries@mauritron.co.uk



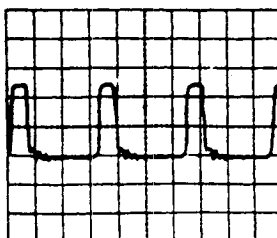


1) 5 usn/div 100 volt/div



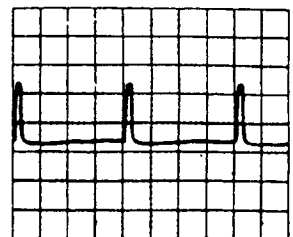
Drain of Q1

2) 20 usn/div 2volt/div

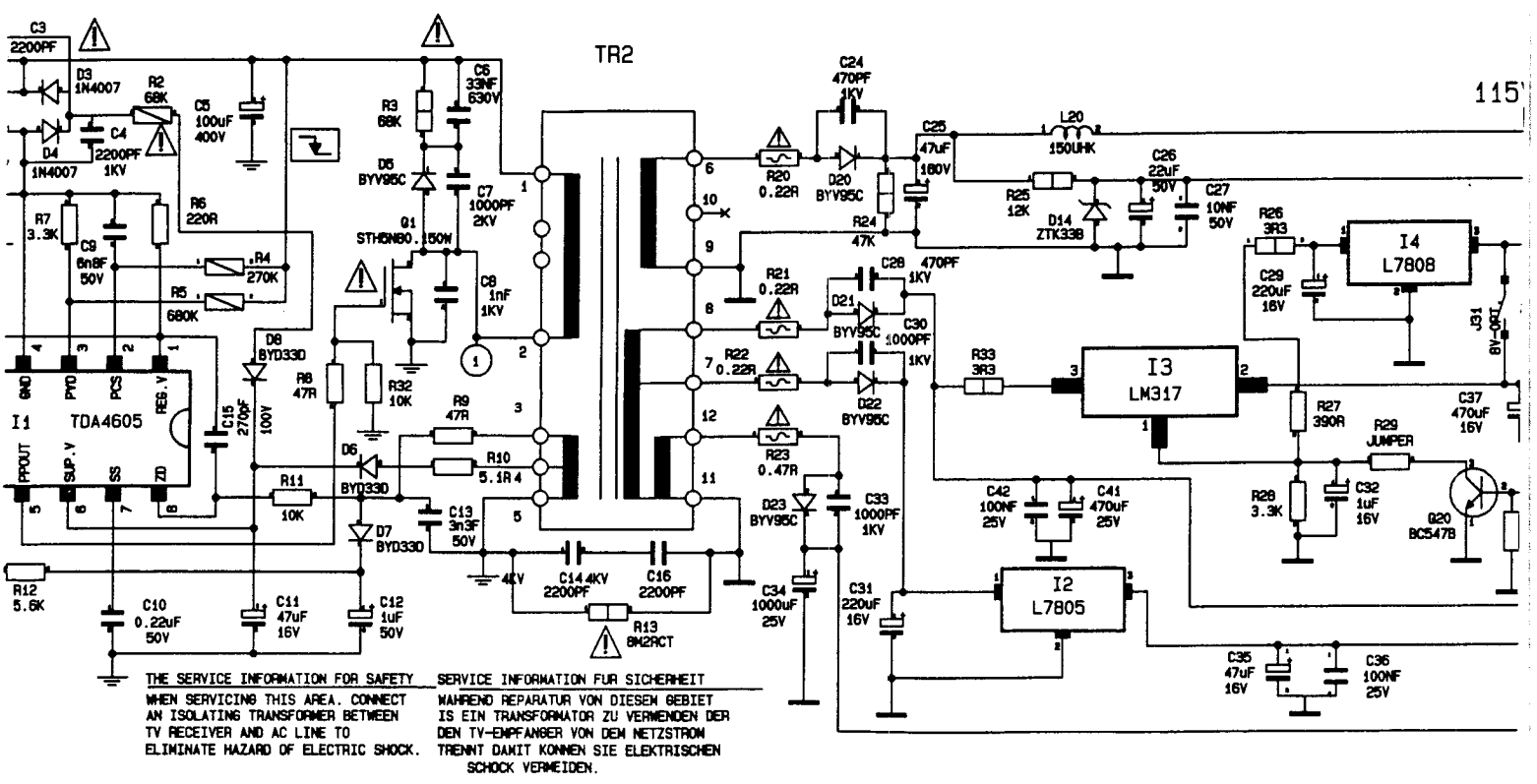
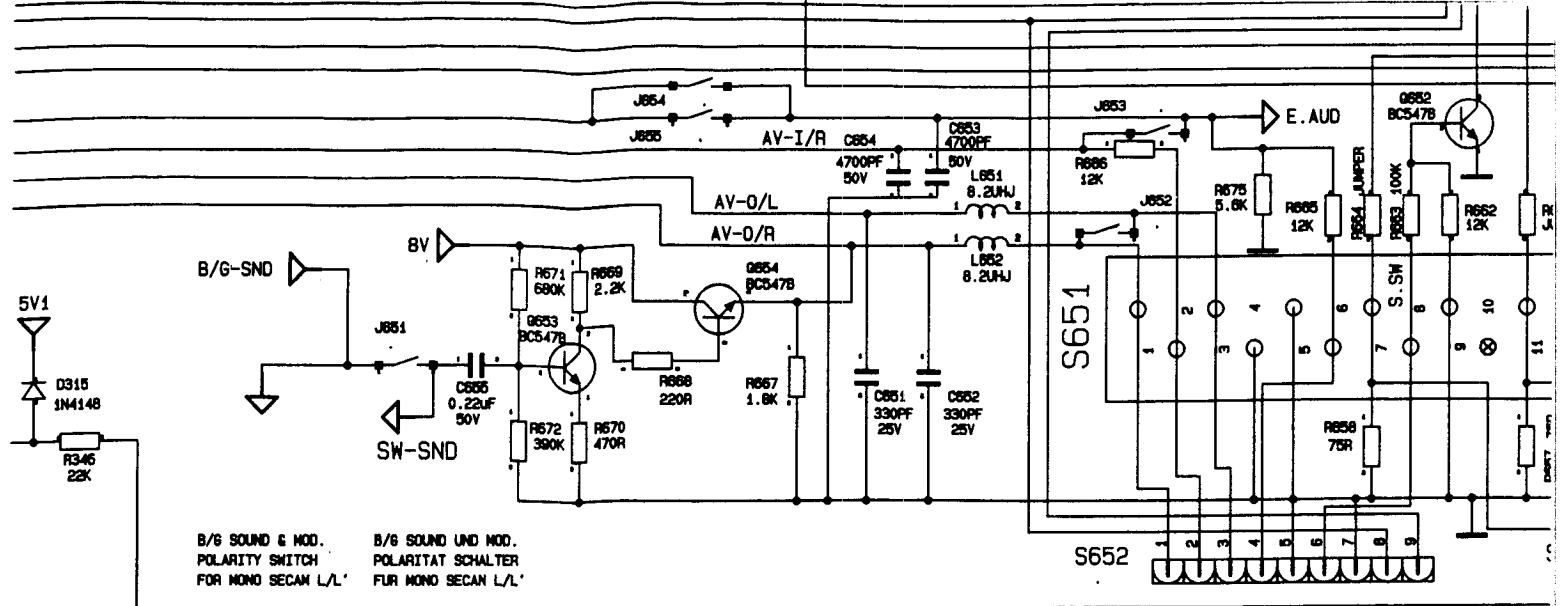


IC 301 pin 26

3) 5m sn/div 2volt/div

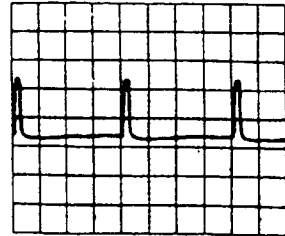


IC 301 pin 27



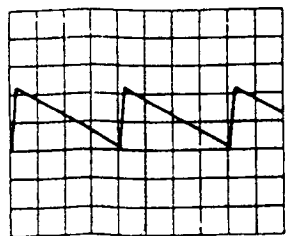
For Service Manuals Contact  
**MAURITRON TECHNICAL SERVICES**  
 8 Cherry Tree Rd. Chinnor  
 Oxon OX9 4QY  
 Tel:- 01844-351684 Fax:- 01844-352554  
 Email:- enquiries@mauritron.co.uk

3) 5m sn/div 2volt/div



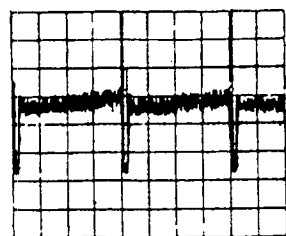
IC 301 pin 27

4) 5 msn/div 0,5 volt/div



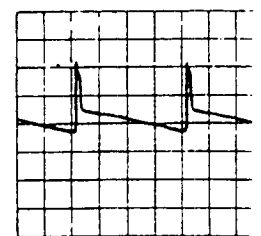
IC 101 pin 41

5) 5 msn/div 1 volt/div

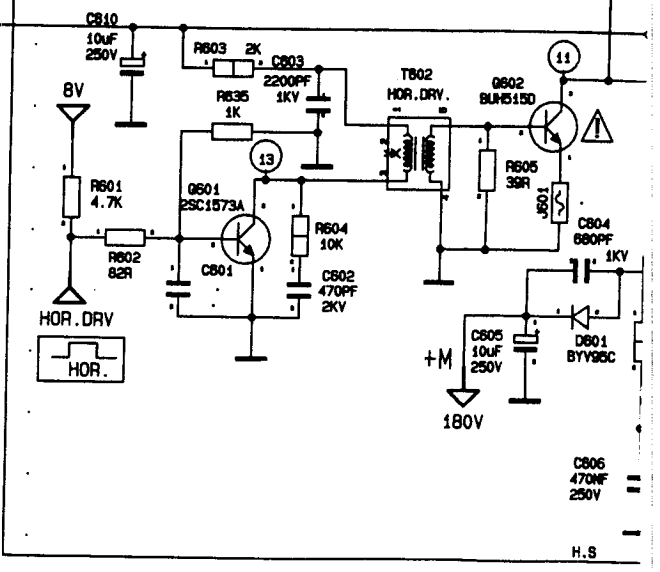
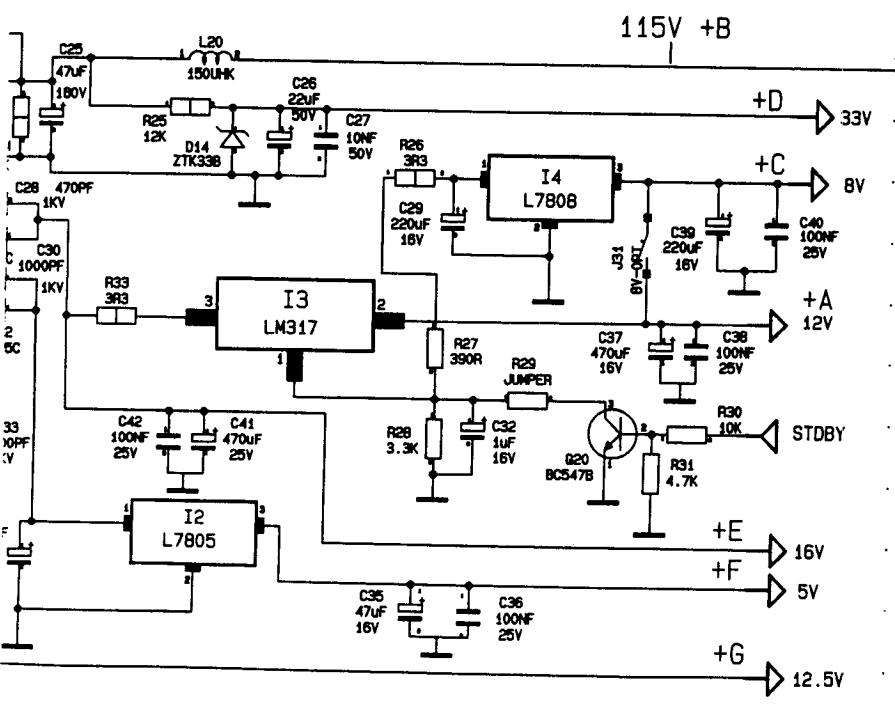
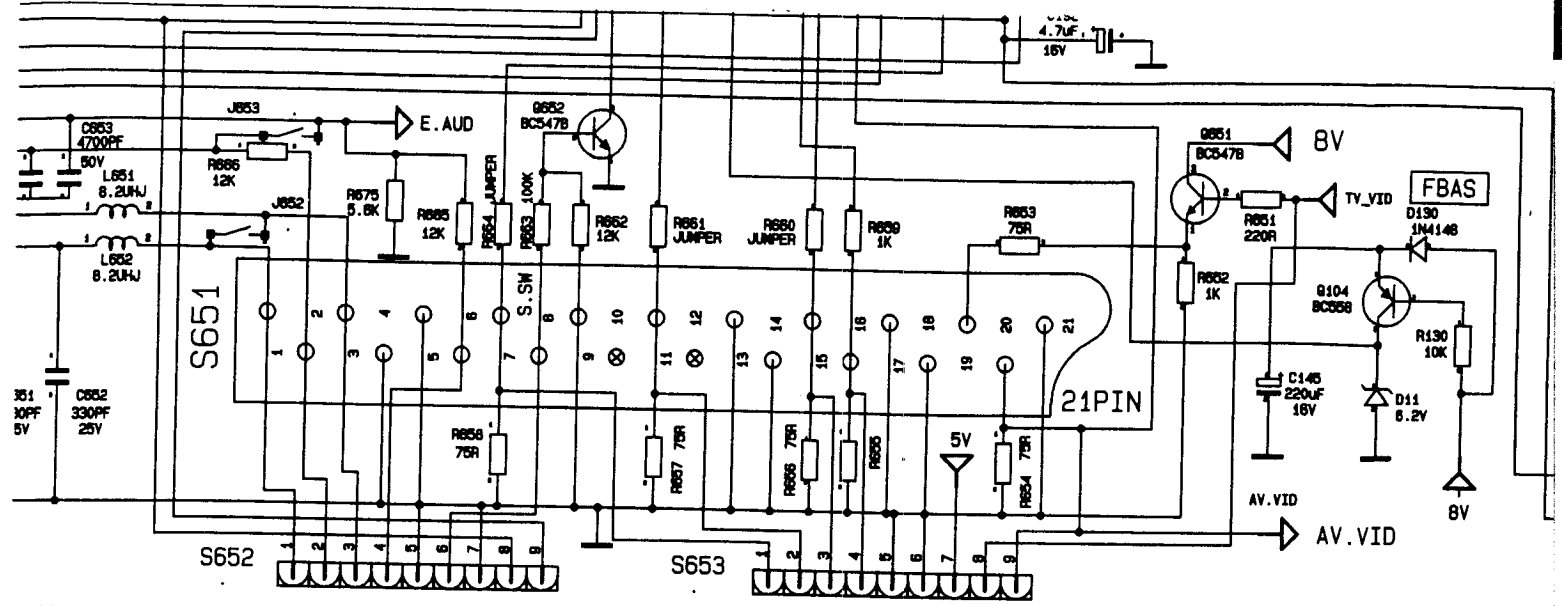


IC 601 pin 3

6) 5 msn/div 20 volt



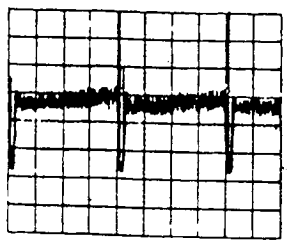
IC 601 pin 5



AV-O/R  
 AV-O/L  
 AV-I/R  
 EX. AUD

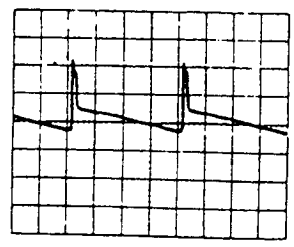
## OSCILLOSCOPE SHAPES / OSZILLOG

5) 5 msn/div 1 volt/div



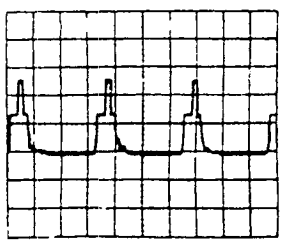
IC 601 pin 3

6) 5 msn/div 20 volt/div



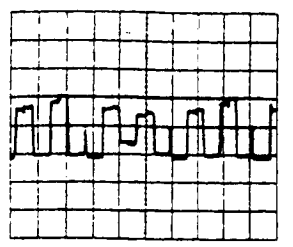
IC 601 pin 5

7) 20 usn/div 2 volt/div

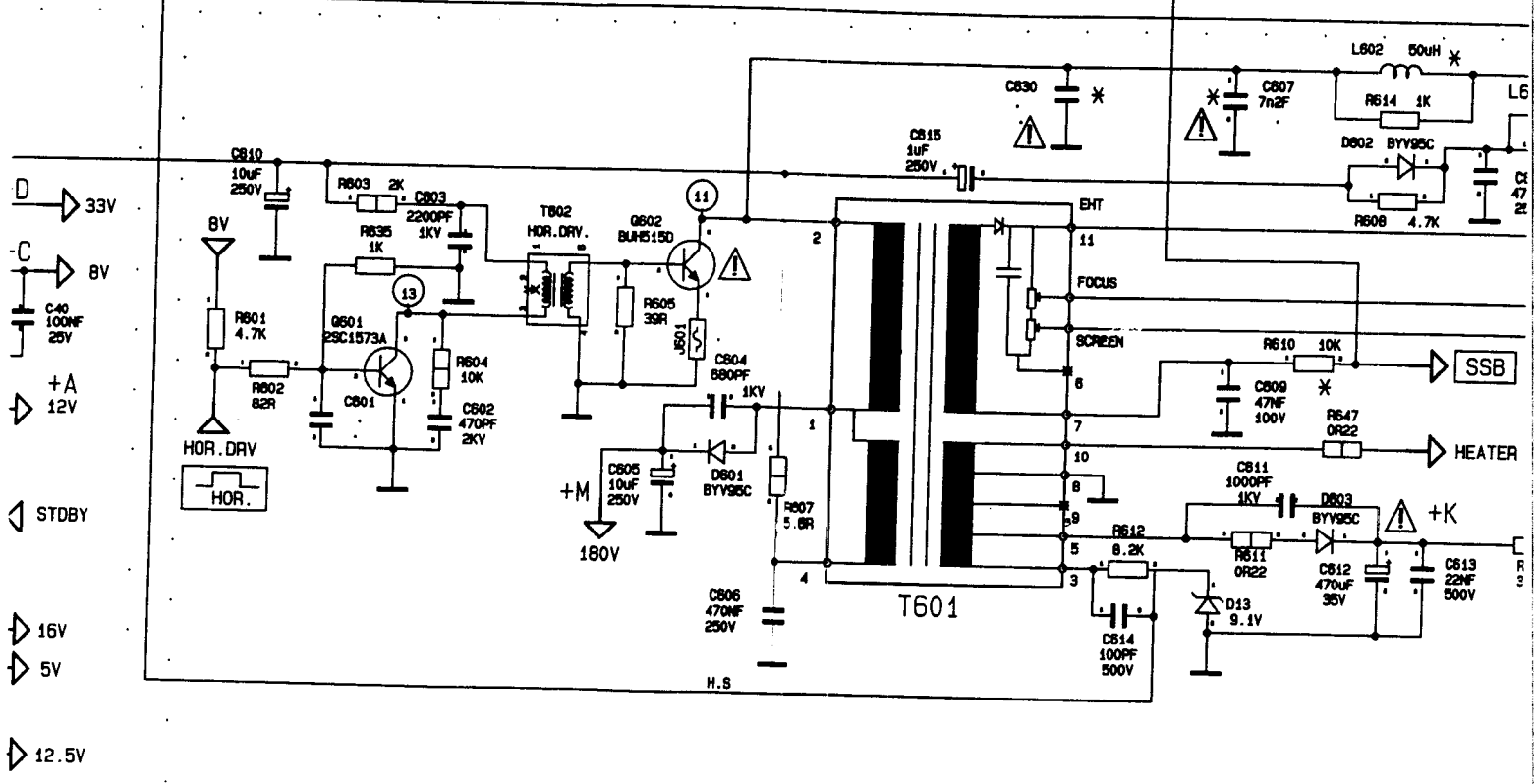
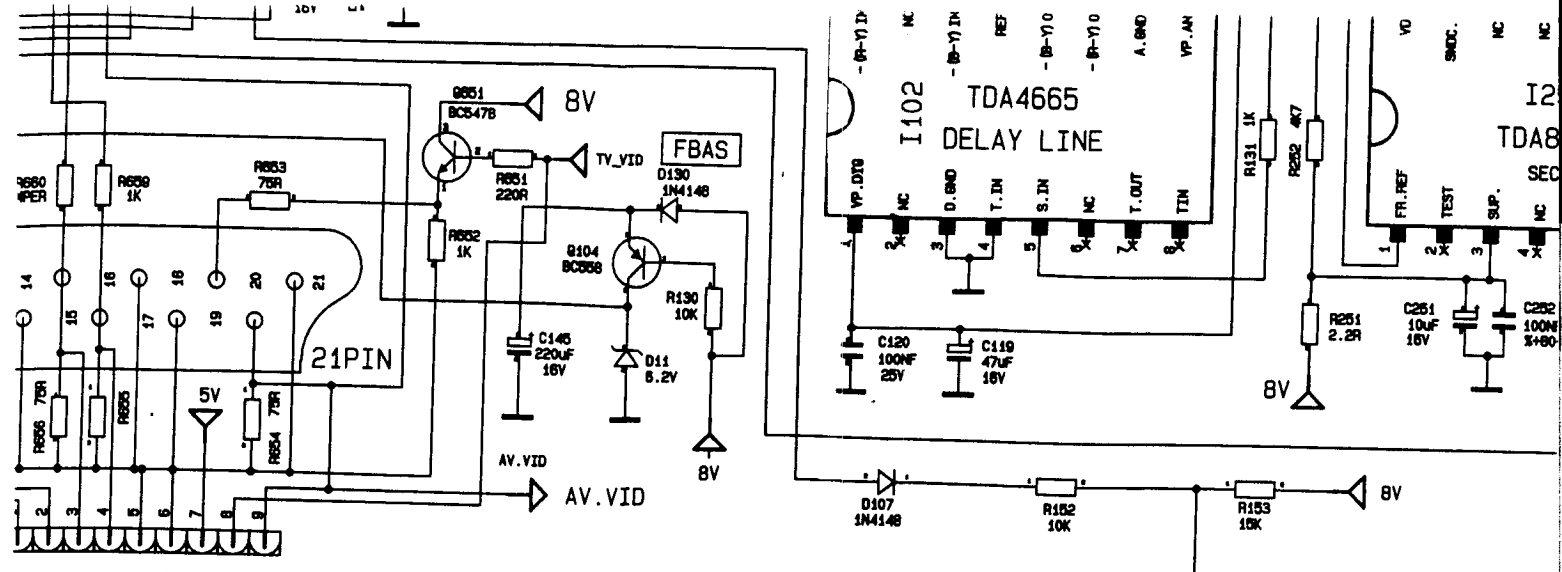


IC 101 pin 38

8) 20 usn/div 2 volt/div



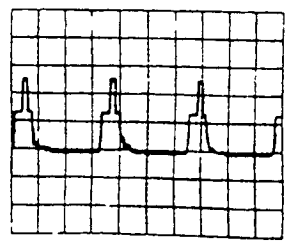
IC 101 pin 20



- AV-O/R
- AV-O/L
- AV-I/R
- EX. AUD

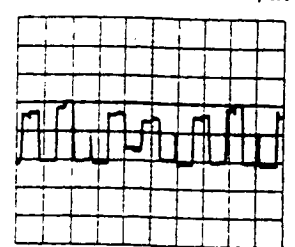
## OSCILLOSCOPE SHAPES / OSZILLOGRAMME

7) 20 usn/div 2 volt/div



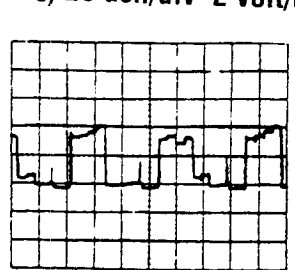
IC 101 pin 38

8) 20 usn/div 2 volt/div



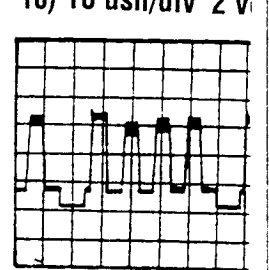
IC 101 pin 20

9) 20 usn/div 2 volt/div



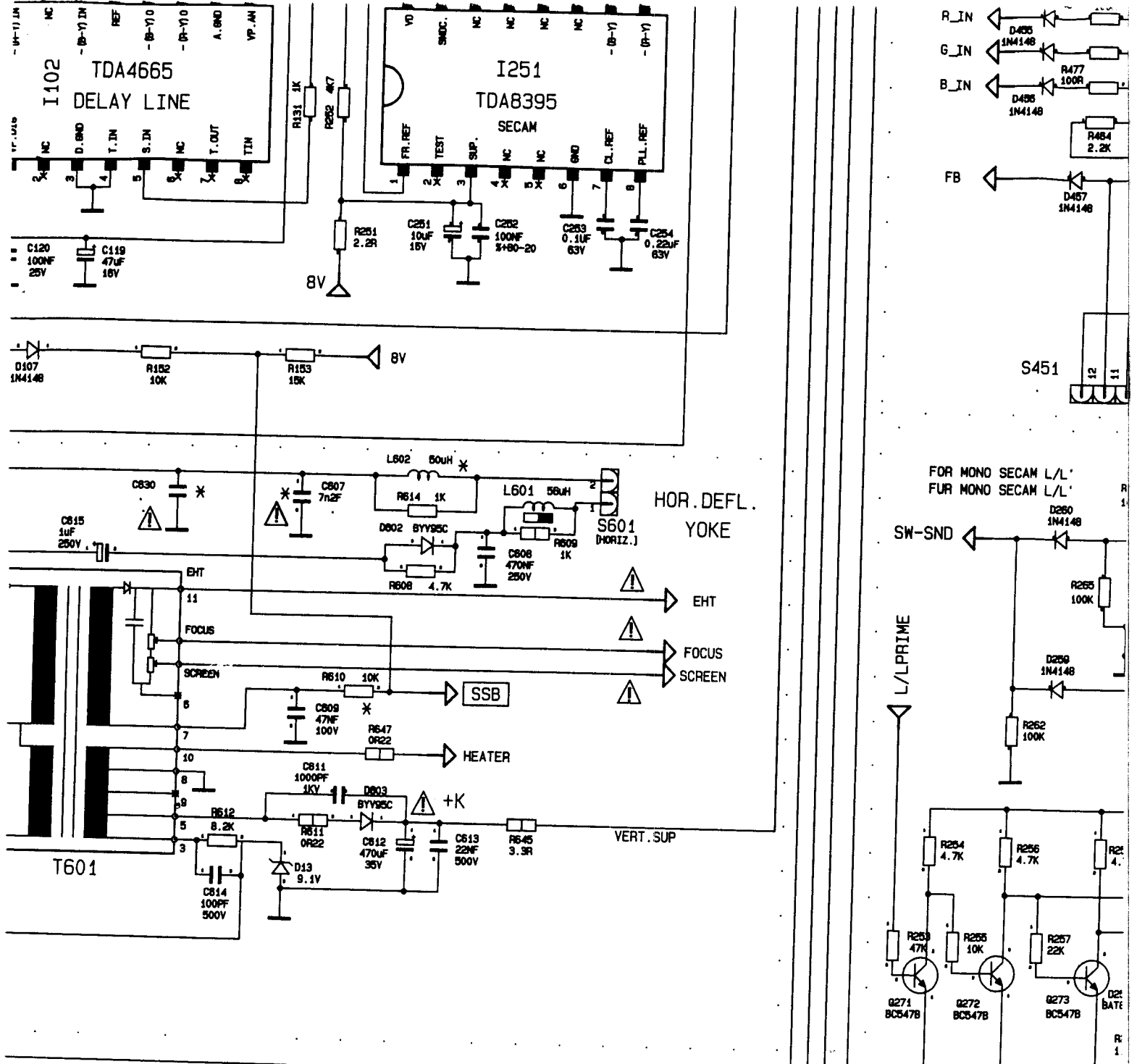
IC 101 pin 19

10) 10 usn/div 2 v



IC 101 pin 18

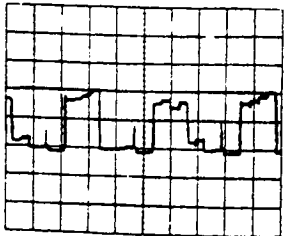




For Service Manuals Contact  
**MAURITRON TECHNICAL SERVICES**  
 8 Cherry Tree Rd, Chinnor  
 Oxon OX9 4QY  
 Tel: 01844 351634 Fax: 01844 352554  
 Email: enquiries@mauritron.co.uk

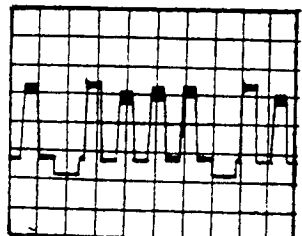
**MME**

9) 20 usn/div 2 volt/div



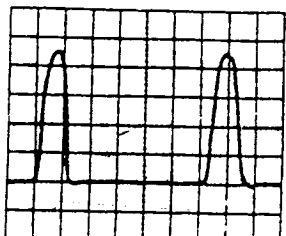
IC 101 pin 19

10) 10 usn/div 2 volt/div



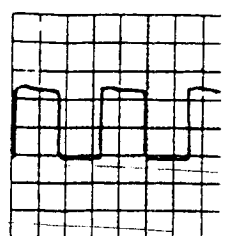
IC 101 pin 18

11) 10 usn/div 250 volt/div

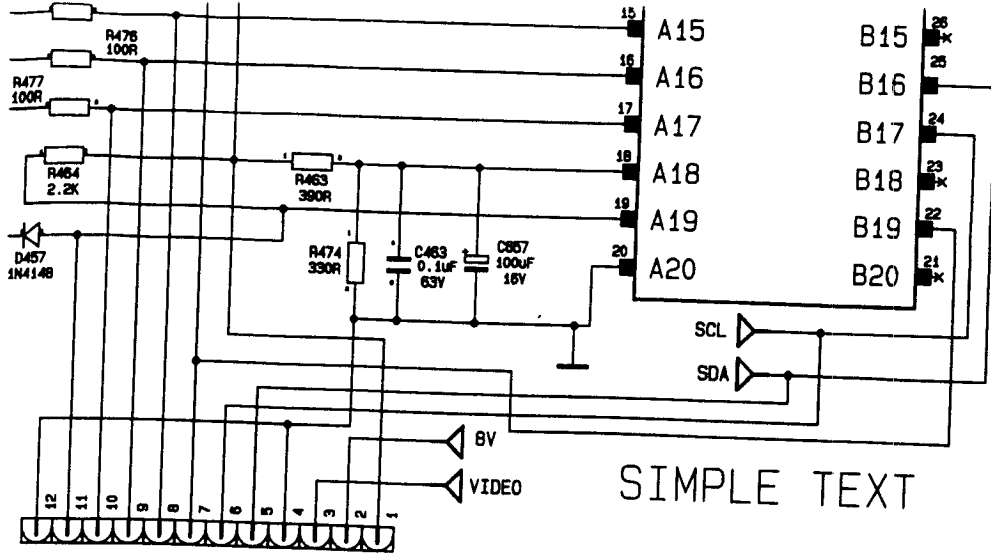


Collector of Q602

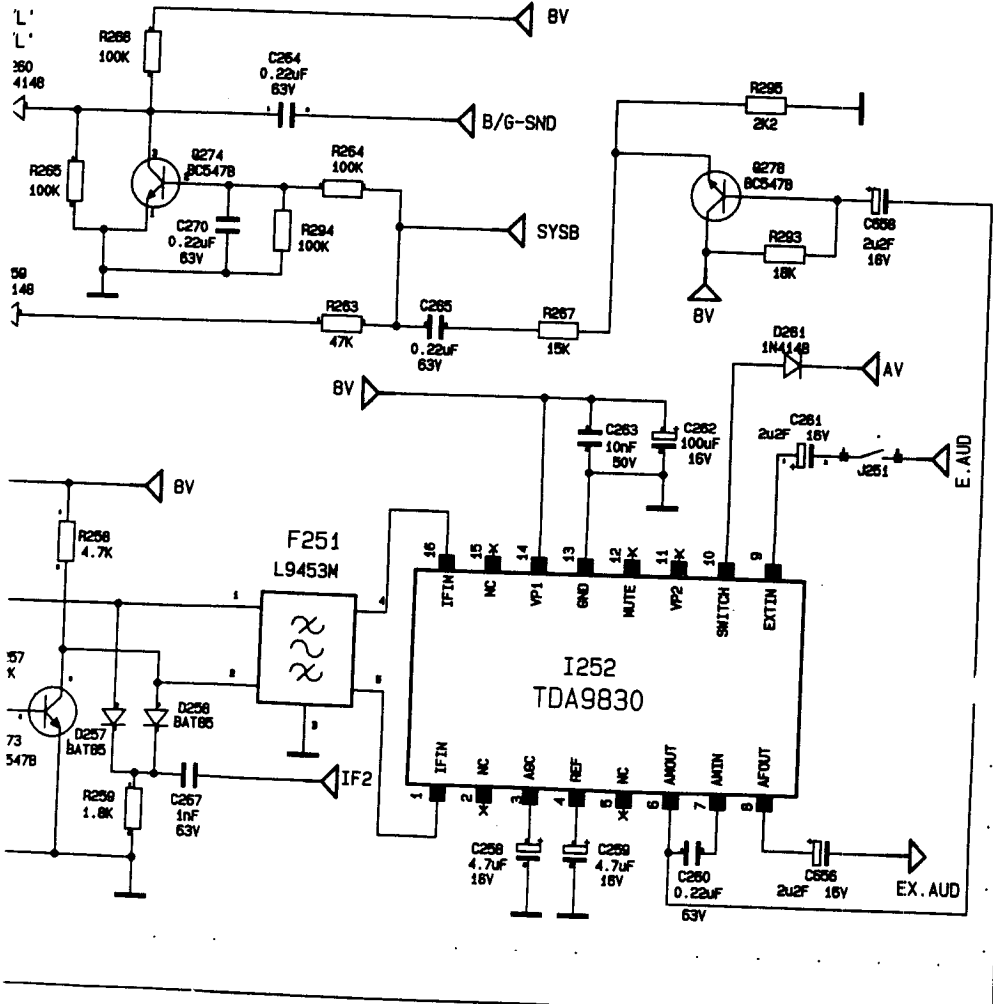
12) 20 usn/div 0.2



IC 101 pin 37



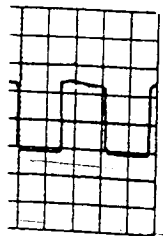
SIMPLE TEXT



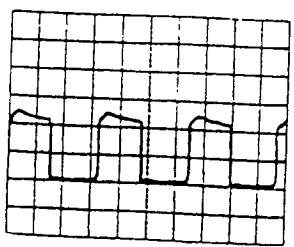
PT11 ANA SASE 19/01/1998

SENADAKI 5V1 YAZILARI BASKIDA 5V OLARAK DÜZELTİLECEK.

div 0.2 volt/div

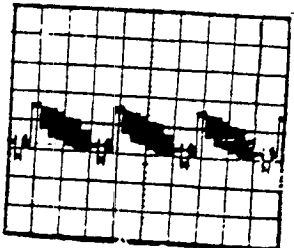


13) 20 usn/div 50 volt/div



Collector of Q601

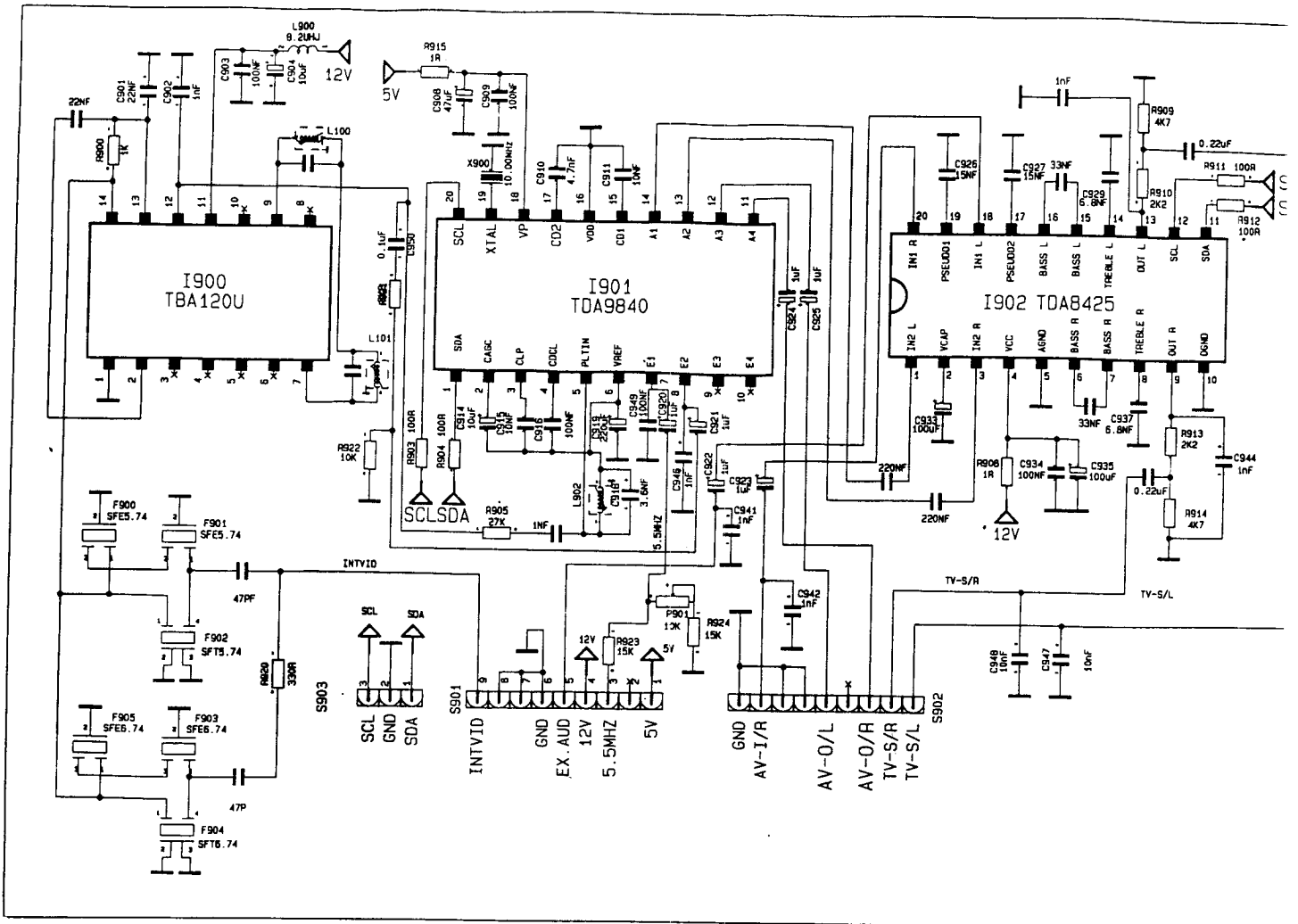
14) 20 usn/div 1 volt/div



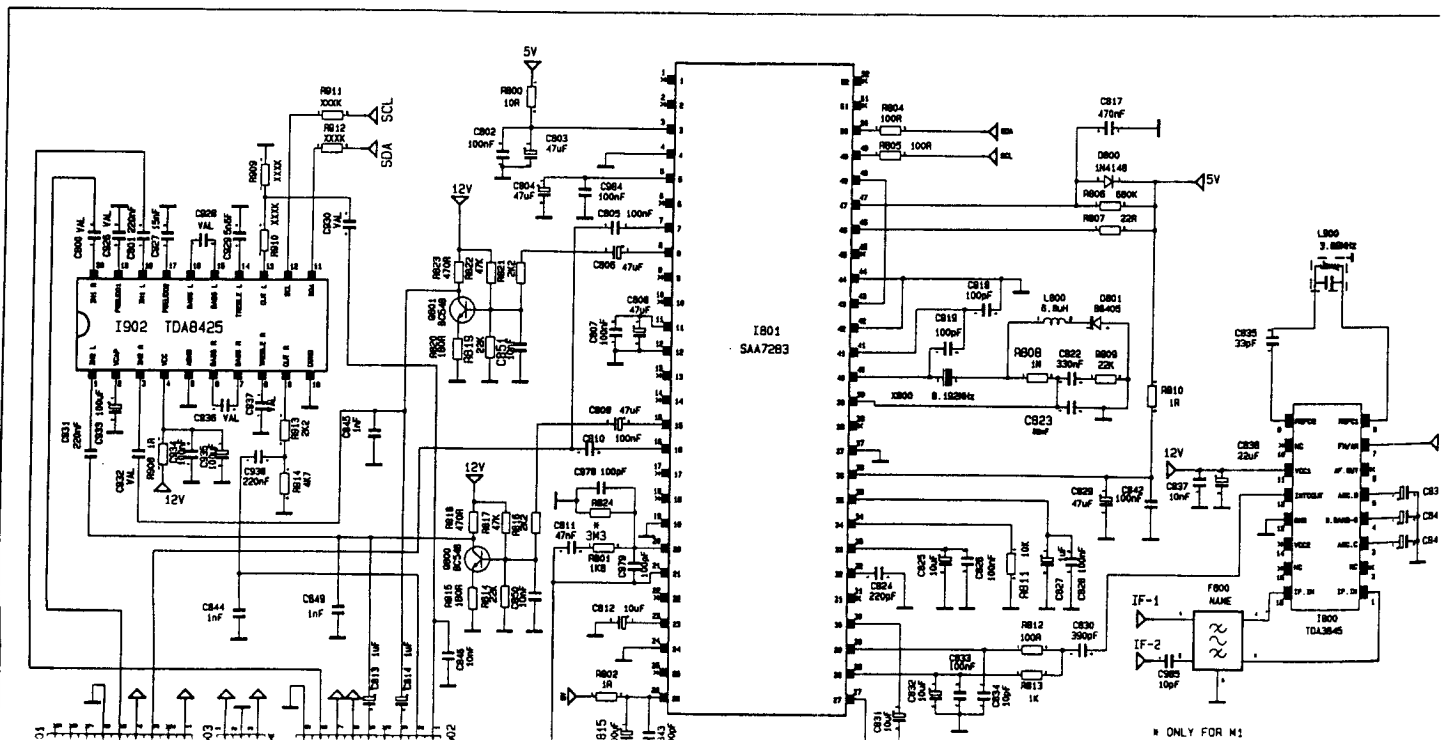
IC 101 pin 13

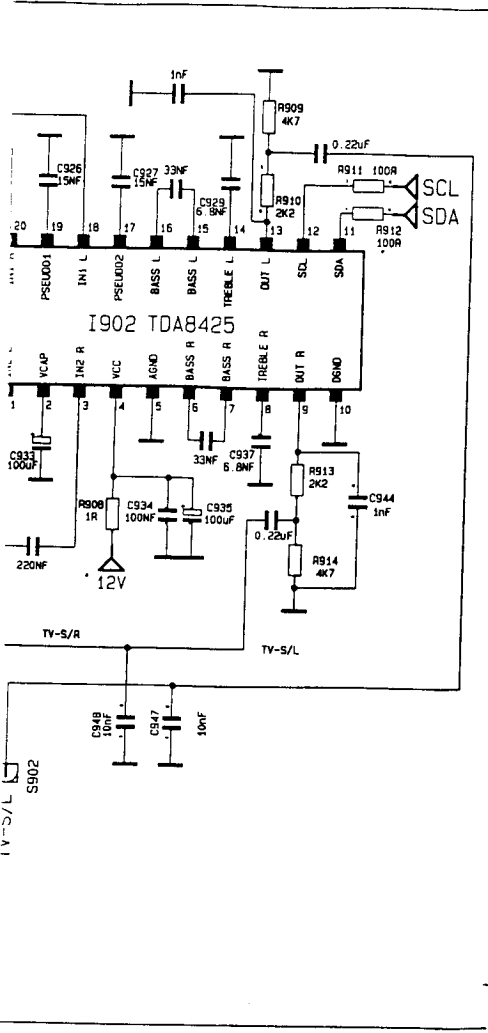
ALL RIGHTS RESERVED

065 031 000 790

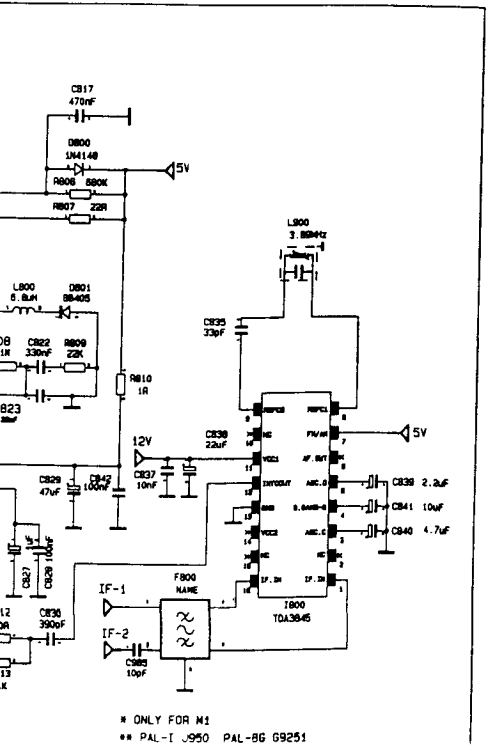


GERMAN STEREO BOARD CIRCUIT DIAGRAM / GERMAN STEREO BAUSTEIN SCHALTUNGSPLAN



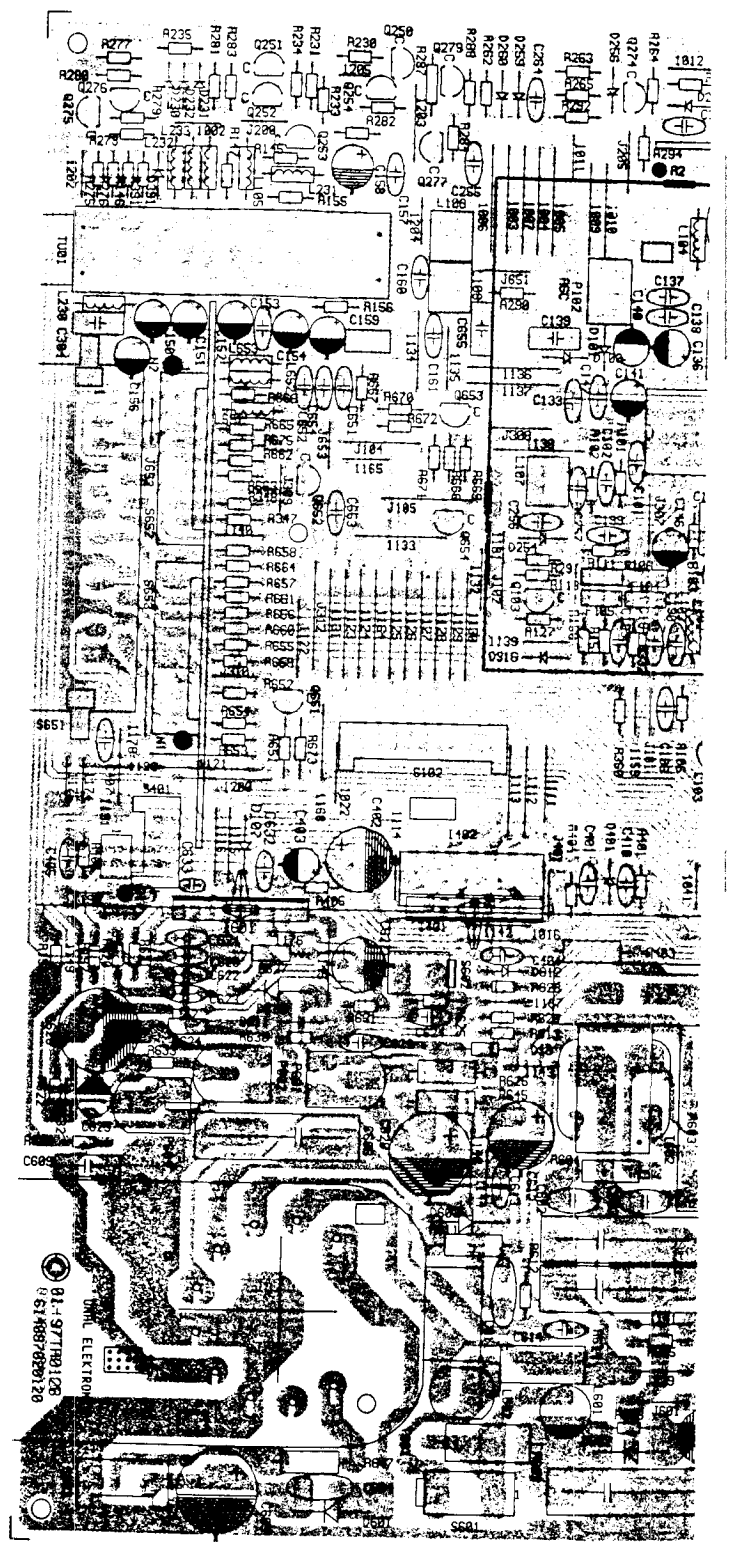


PLAN

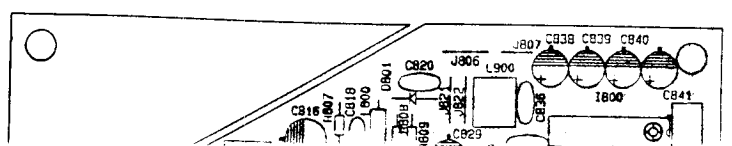


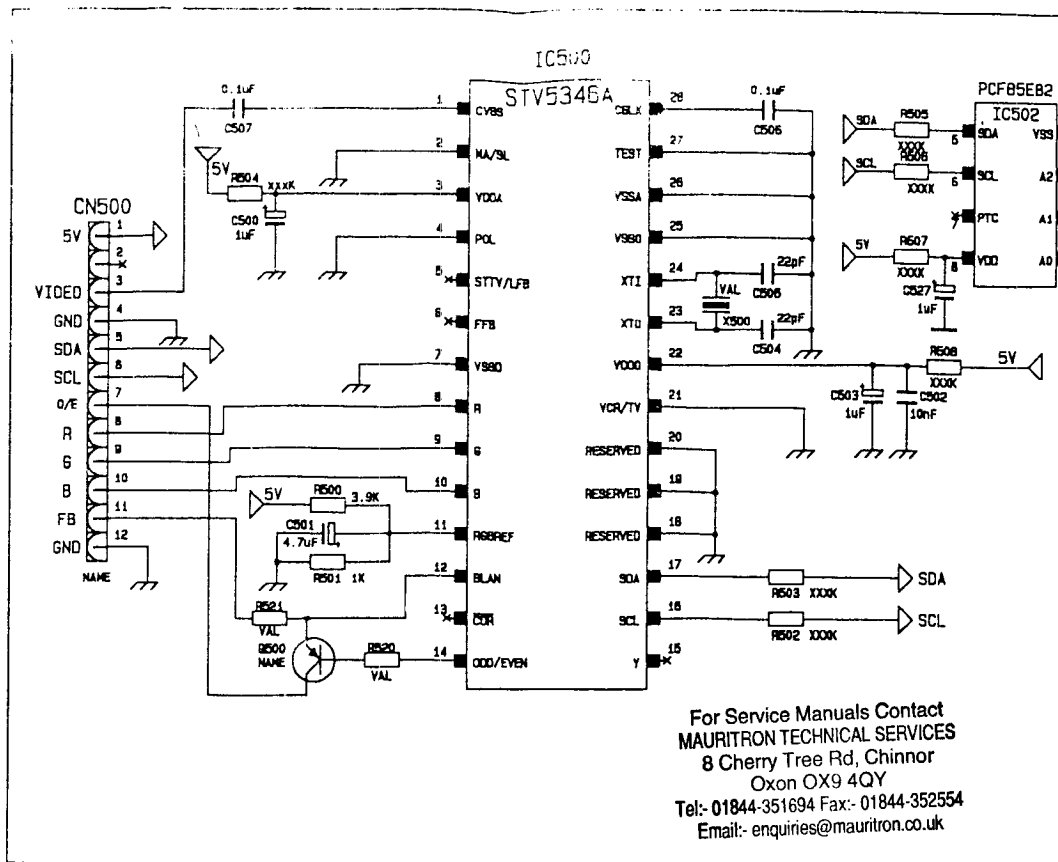
\* ONLY FOR M1  
 \*\* PAL-I 950 PAL-BG 69251

For Service Manuals Contact  
**MAURITRON TECHNICAL SERVICES**  
 8 Cherry Tree Rd, Chinnor  
 Oxon OX9 4QY  
 Tel: 01844-351694 Fax: 01844-352554  
 Email: enquiries@mauritron.co.uk

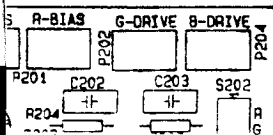
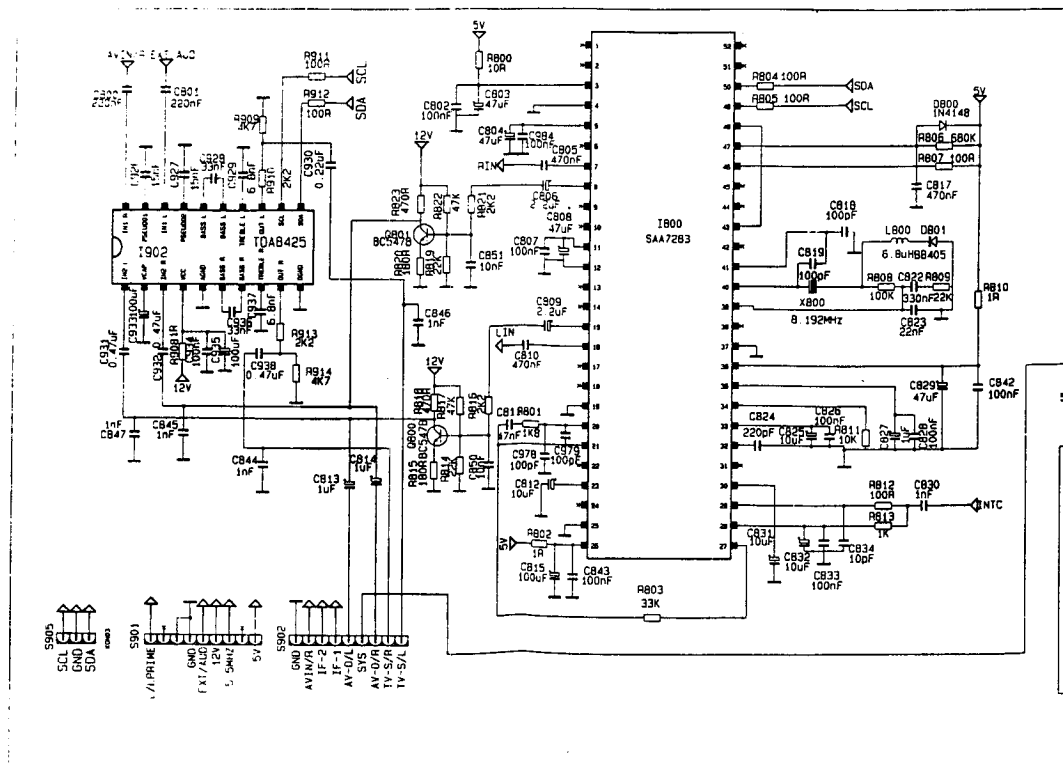


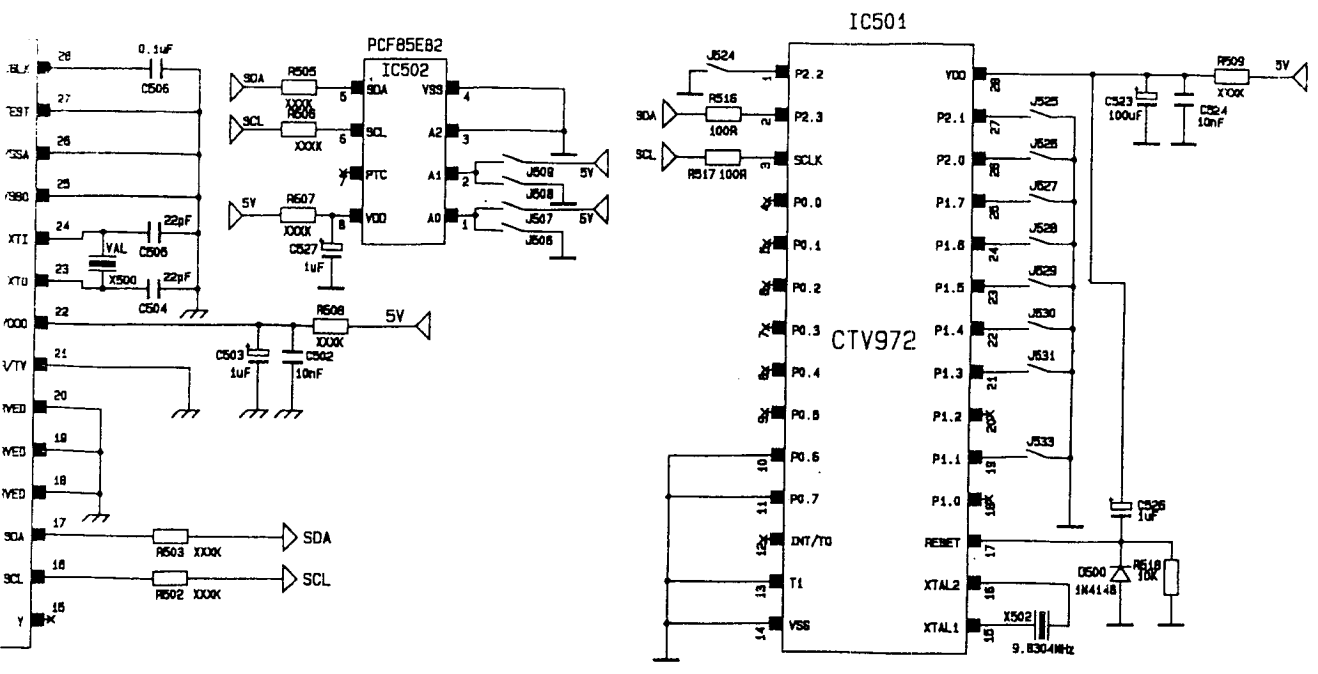
MAIN CHASSIS BOARD / CHASSISPLATE



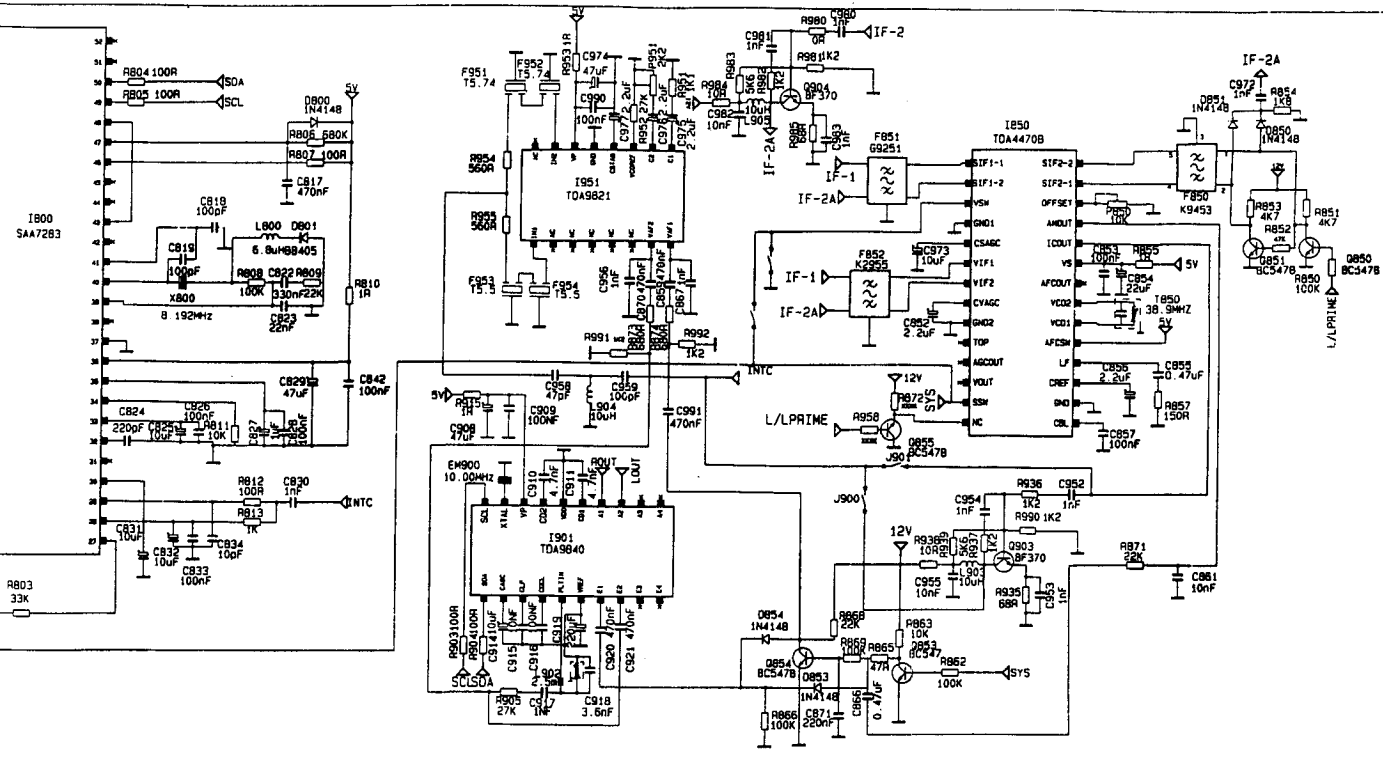


FASTTEXT BOARD CIRCUIT DIAGRAM / FASTTEXT BAUSTEIN SCHALTUNGSPLAN

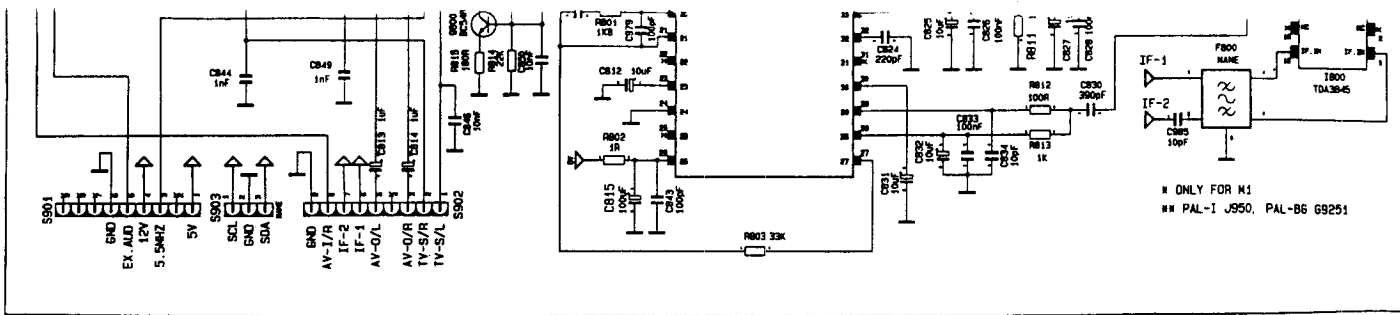




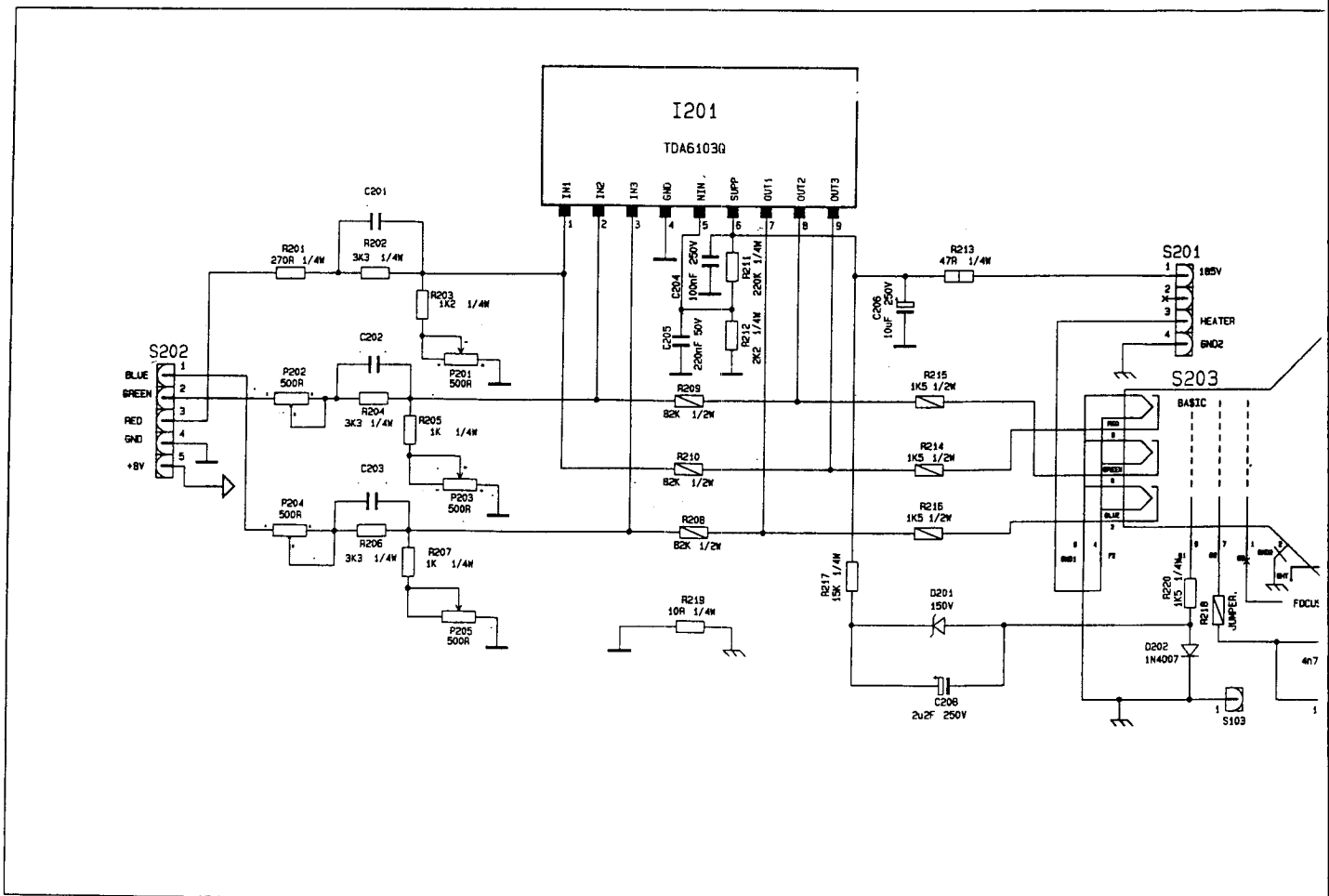
TEIN SCHALTUNGSPLAN



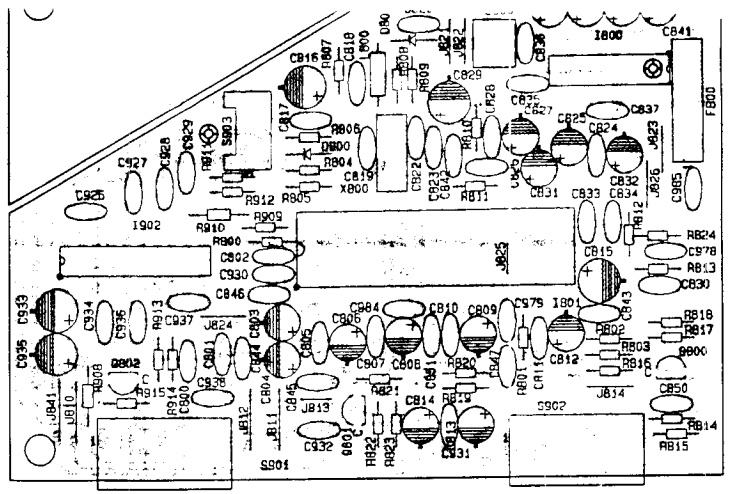
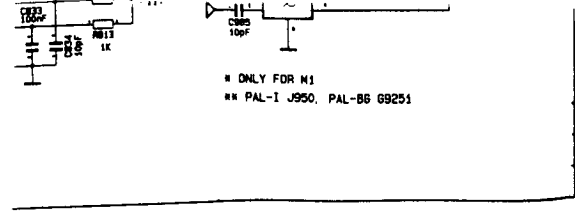
BAUSTEIN SCHALTUNGSPLAN



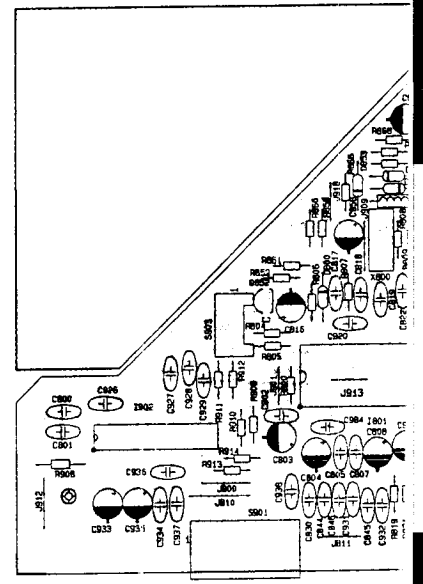
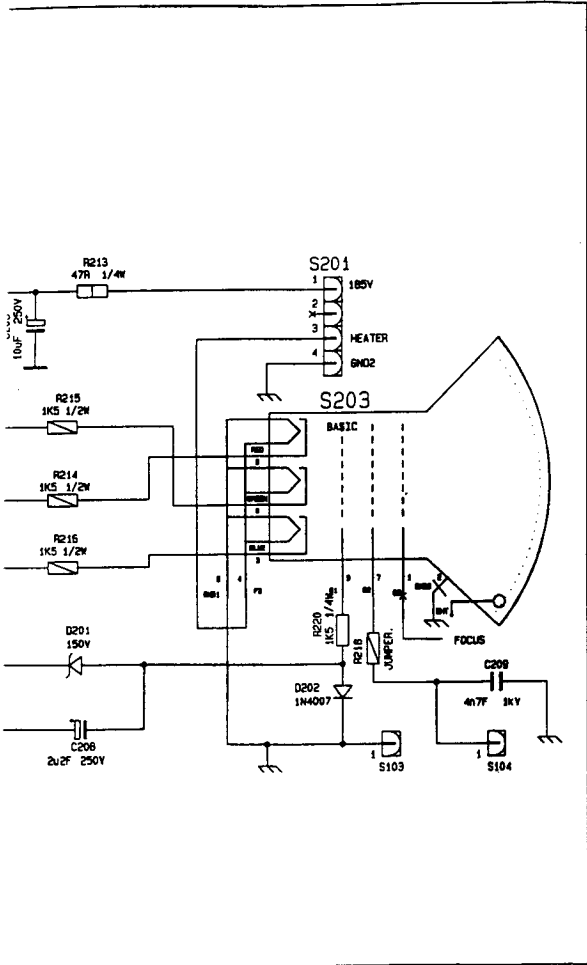
NICAM BOARD CIRCUIT DIAGRAM / NICAM BAUSTEIN SCHALTUNGSPLAN



CRT BOARD CIRCUIT DIAGRAM / CRT BAUSTEIN SCHALTUNGSPLAN

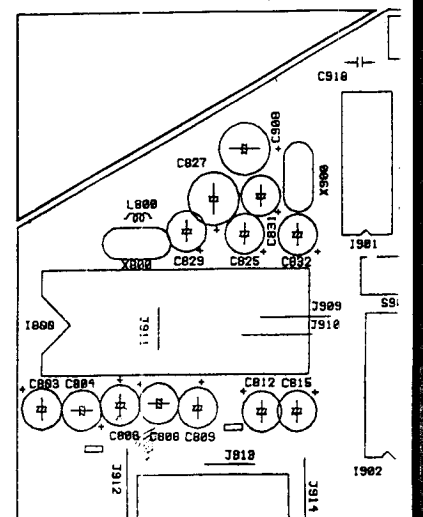


NICAM BOARD / NICAM BAUSTEIN

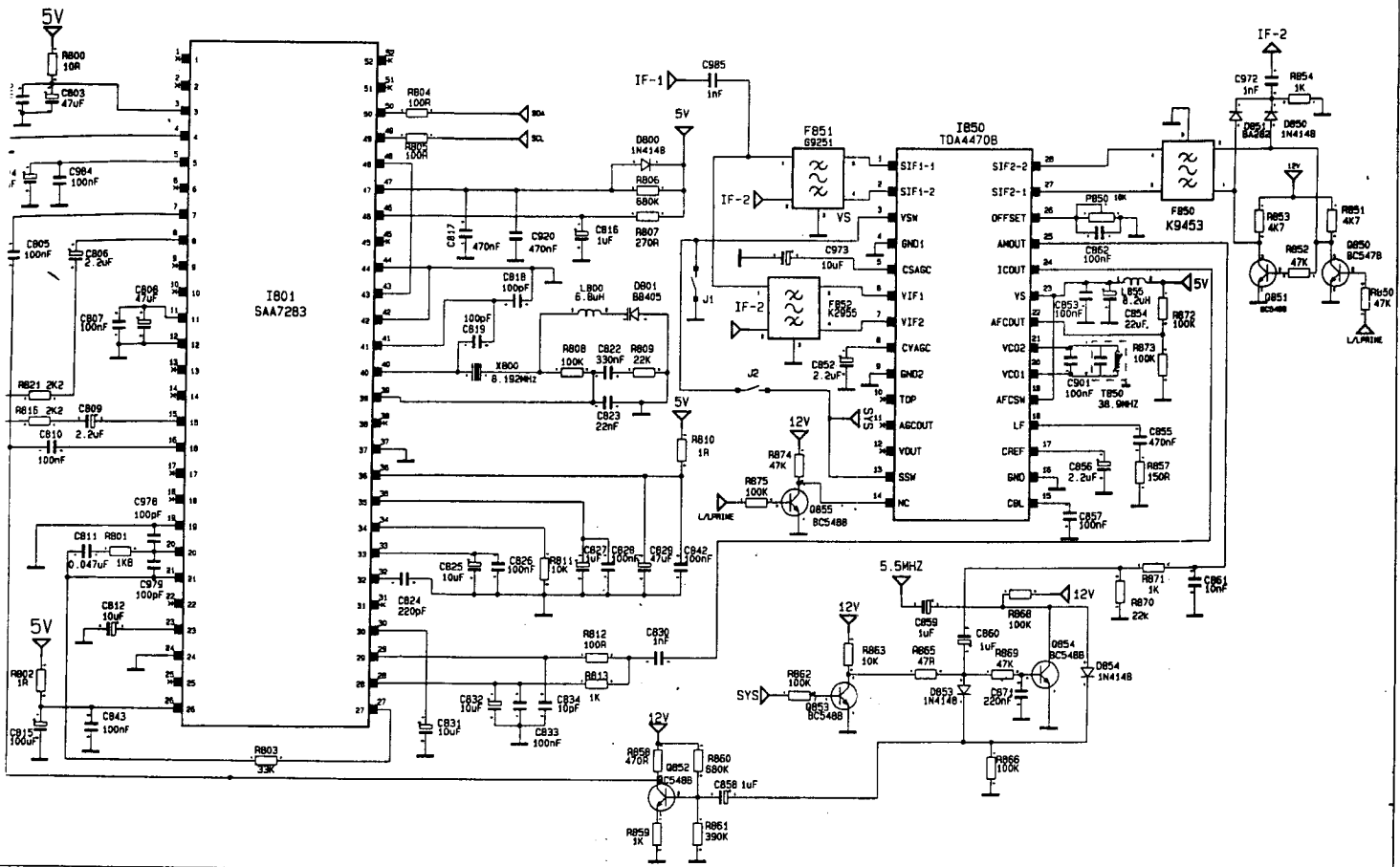


NICAM L BOARD / NICAM L BAUSTEIN

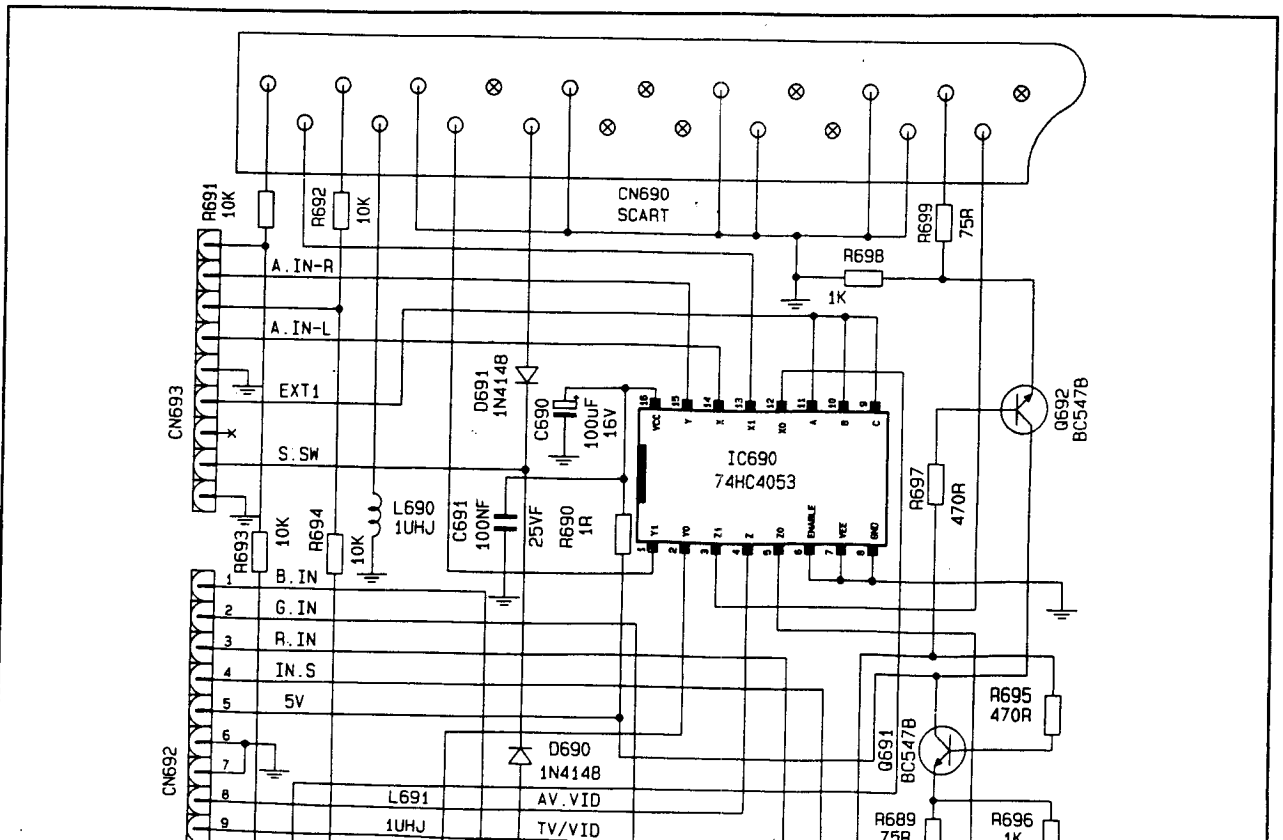
For Service Manuals Contact  
**MAURITRON TECHNICAL SERVICES**  
 8 Cherry Tree Rd, Chinnor  
 Oxon OX9 4QY  
 Tel: 01844-351694 Fax: 01844-352554  
 Email: enquiries@mauritron.co.uk

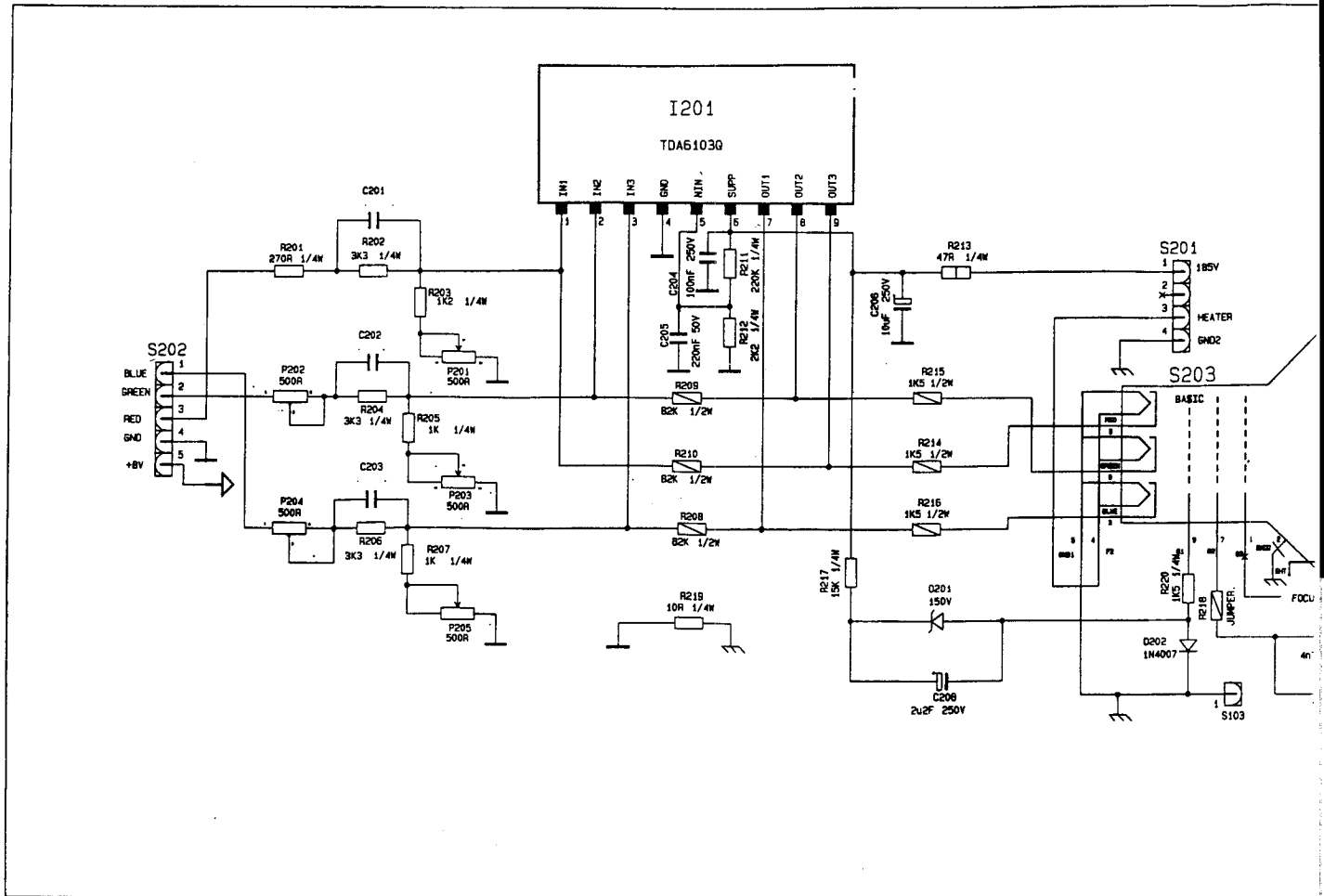




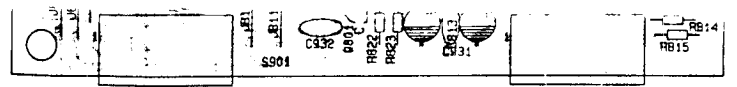


JSTEIN SCHALTUNGSPLAN

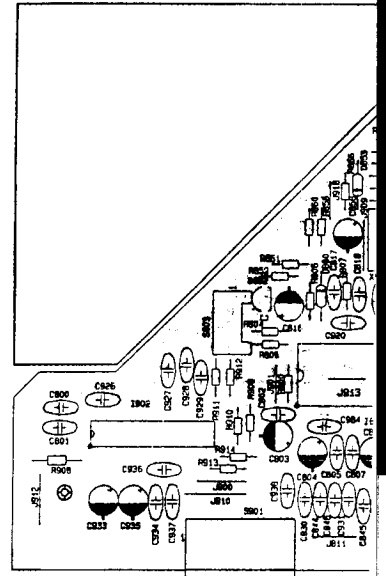
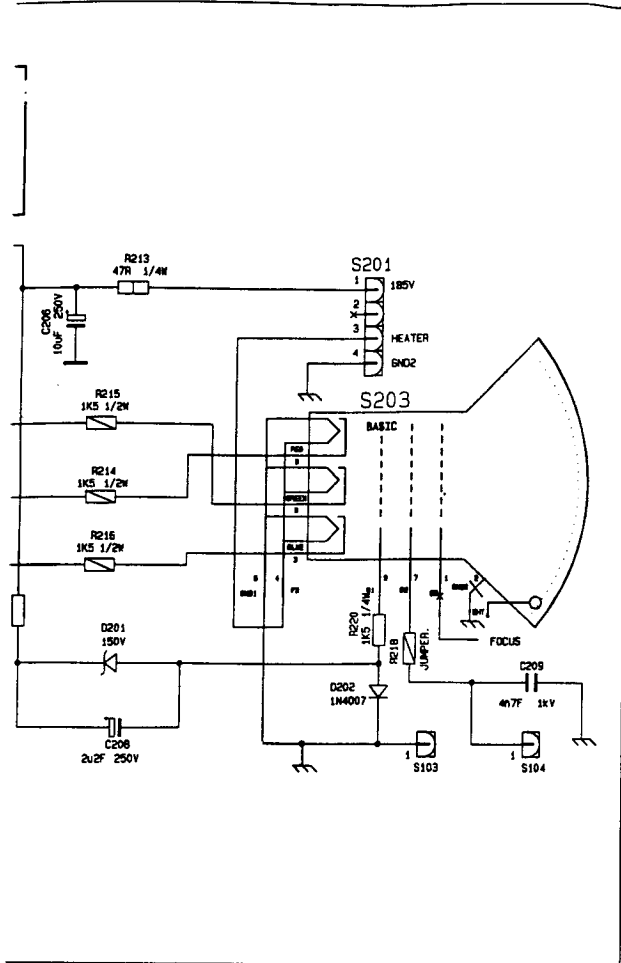




CRT BOARD CIRCUIT DIAGRAM / CRT BAUSTEIN SCHALTUNGSPLAN

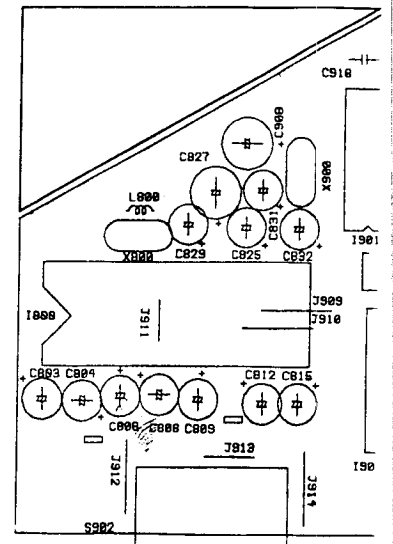


NICAM BOARD / NICAM BAUSTEIN

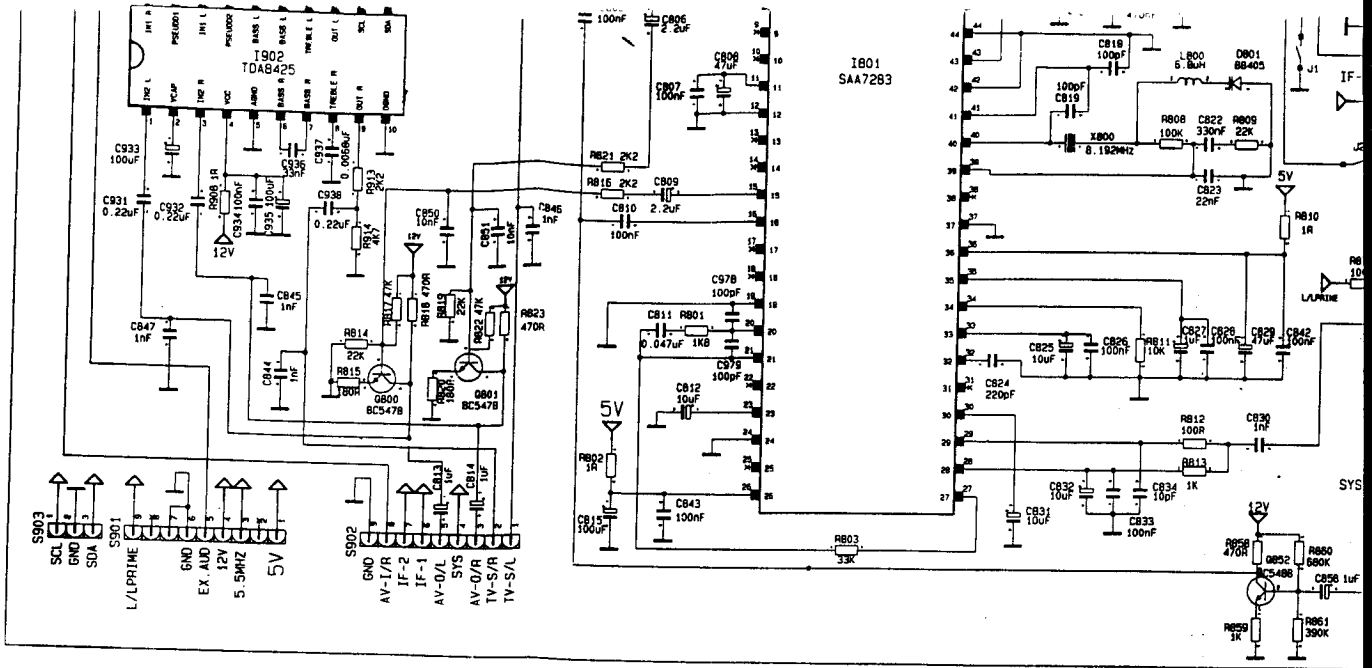


NICAM L BOARD / NICAM L BAUS

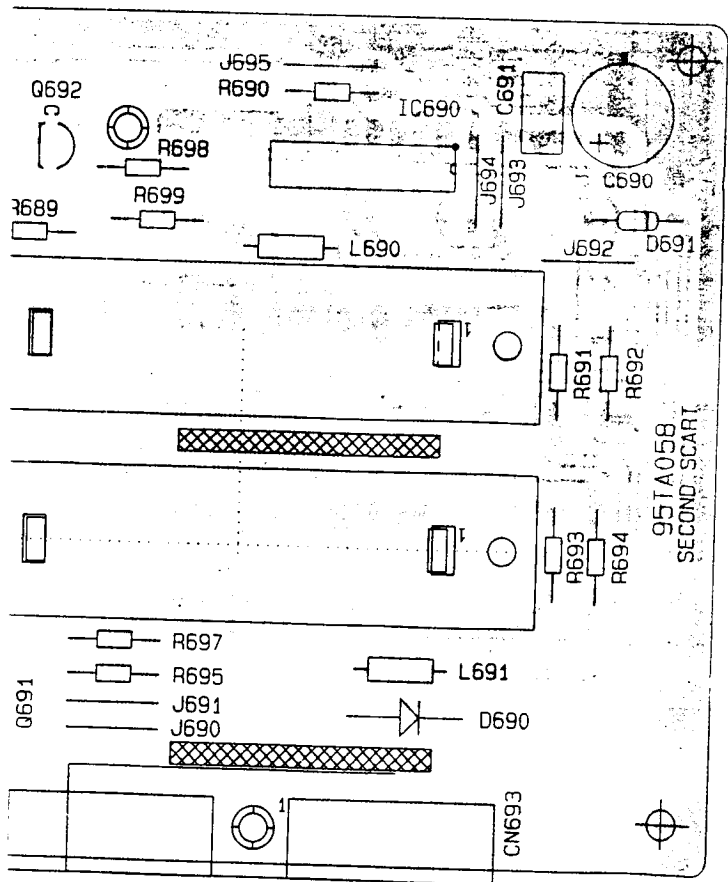
For Service Manuals Contact  
**MAURITRON TECHNICAL SERVICES**  
 8 Cherry Tree Rd, Chinnor  
 Oxon OX9 4QY  
 Tel:- 01844-351694 Fax:- 01844-352554  
 Email:- enquiries@mauritron.co.uk



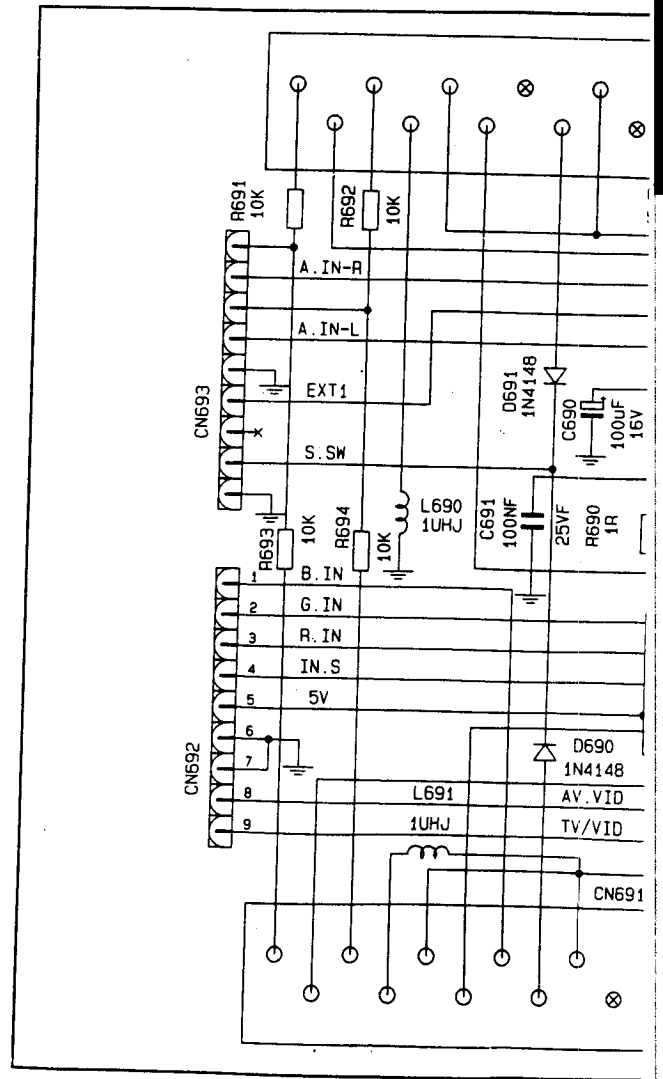
A2+NICAM L BOARD / A2+NICAM



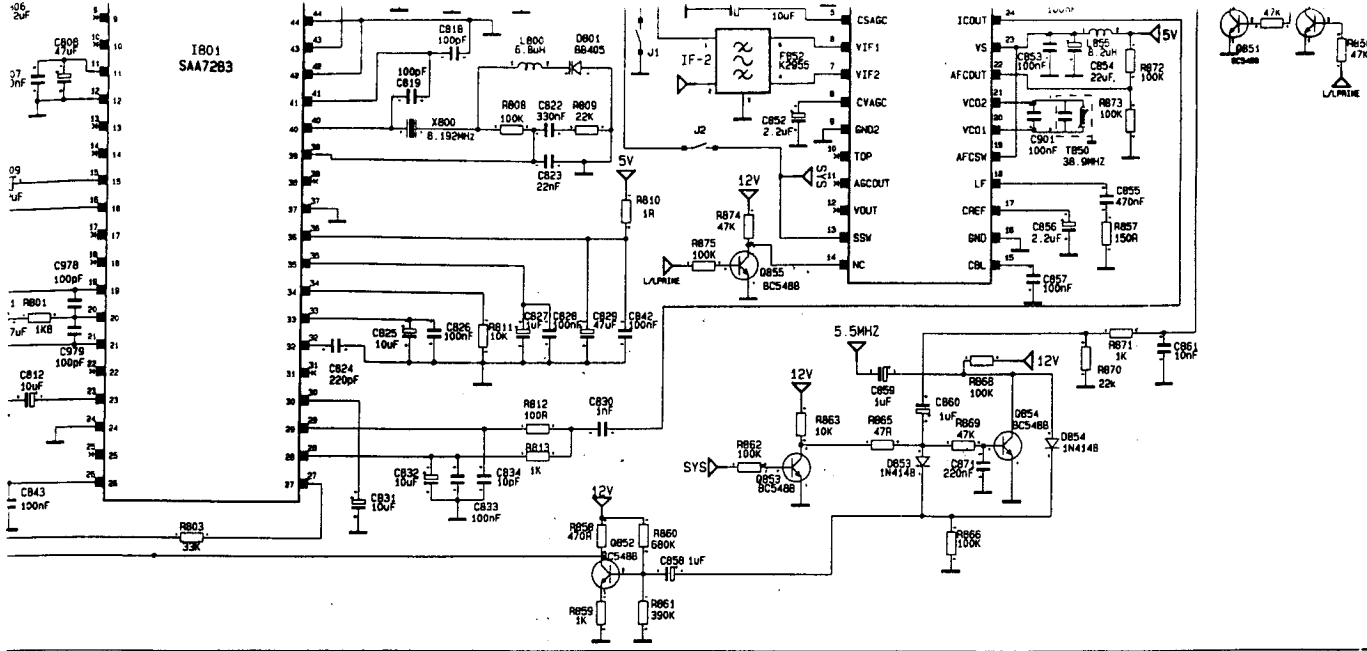
NICAM L BOARD CIRCUIT DIAGRAM / NICAM L BAUSTEIN SCHALTUNGSPLAN



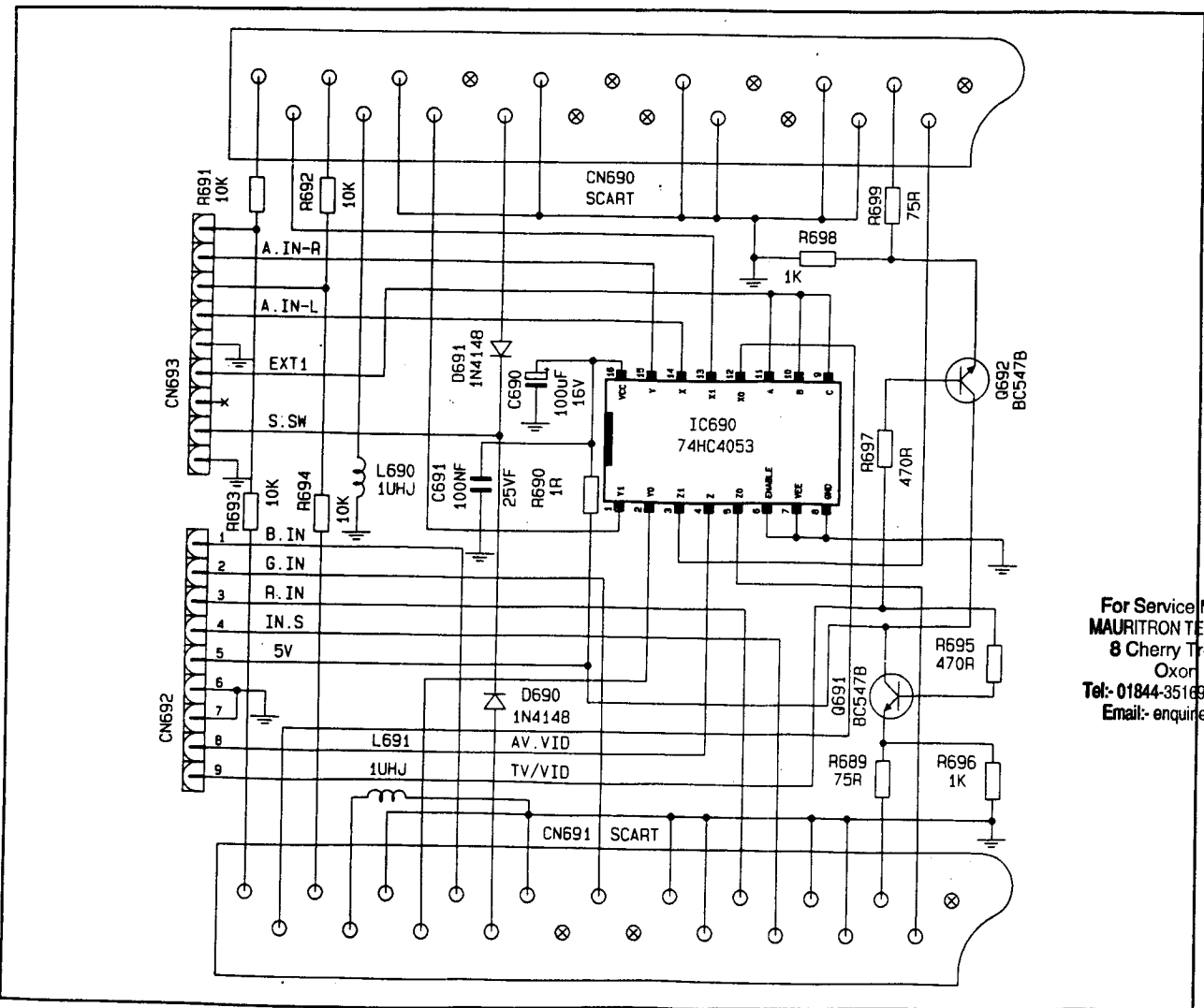
CART BOARD / DOPPEL - SCART BAUSTEIN



DOUBLE SCART BOARD CIRCUIT DIAGRAM / DOPPEL - SCART BAUSTEIN



SCHALTUNGSPLAN



For Service Manuals Contact  
**MAURITRON TECHNICAL SERVICES**  
 8 Cherry Tree Rd, Chinnor  
 Oxon OX9 4QY  
 Tel: 01844-351694 Fax: 01844-352554  
 Email: enquiries@mauritron.co.uk

DOUBLE SCART BOARD CIRCUIT DIAGRAM / DOPPEL - SCART BAUSTEIN SCHALTUNGSPLAN