

# STK3041,3061 3081,3101

thick film hybrid IC

VOLTAGE AMP. FOR 30 to 100W  
AF POWER AMP.

## Features

- Load short detection

- Built-in muting transistor

## MAXIMUM RATINGS / $T_a=25^\circ\text{C}$

	STK 3041	STK 3061	STK 3081	STK 3101	unit
Maximum Supply Voltage	$\pm 55$	$\pm 59$	$\pm 65$	$\pm 75$	V
Operating Case Temperature	$\rightarrow$	$\rightarrow$	$\rightarrow$	115	$^\circ\text{C}$
Storage Temperature	$\rightarrow$	$\rightarrow$	$\rightarrow$	-30 to +115	$^\circ\text{C}$

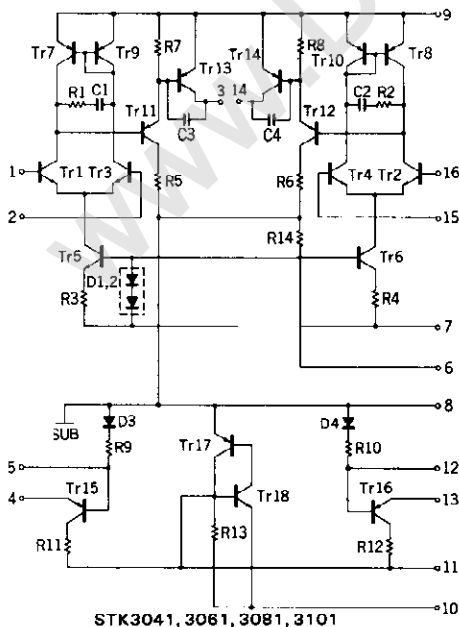
## RECOMMENDED OPERATING CONDITIONS / $T_a=25^\circ\text{C}$

	STK 3041	STK 3061	STK 3081	STK 3101	unit
Recommended Supply Voltage	$\pm 36$	$\pm 41$	$\pm 47$	$\pm 50$	V
Load Resistance	$\rightarrow$	$\rightarrow$	$\rightarrow$	$\infty$	ohm

## OPERATING CHARACTERISTICS / $T_a=25^\circ\text{C}$ , $V_G=40\text{dB}$

	STK 3041	STK 3061	STK 3081	STK 3101	unit
Current Dissipation	30	35	40	40	mA max
Middle Point Voltage	$\rightarrow$	$\rightarrow$	$\rightarrow$	-70 to +70	mV
Output Noise Voltage	$\rightarrow$	$\rightarrow$	$\rightarrow$	1.0	mV max
Input Impedance	$\rightarrow$	$\rightarrow$	$\rightarrow$	33k	ohm
Total Harmonic Distortion	$\rightarrow$	$\rightarrow$	$\rightarrow$	0.01	% max

## EQUIVALENT CIRCUIT



## APPLICATION

