

Types: D48SD, D72SD, D96SD.

Accuracy: Class 1.5 (Class 2.5 - 60A and above).

AC Ratings: 1A to 100A direct connected (D48SD - 40A max)
1A or 5A CT operated
30V to 600V direct connected

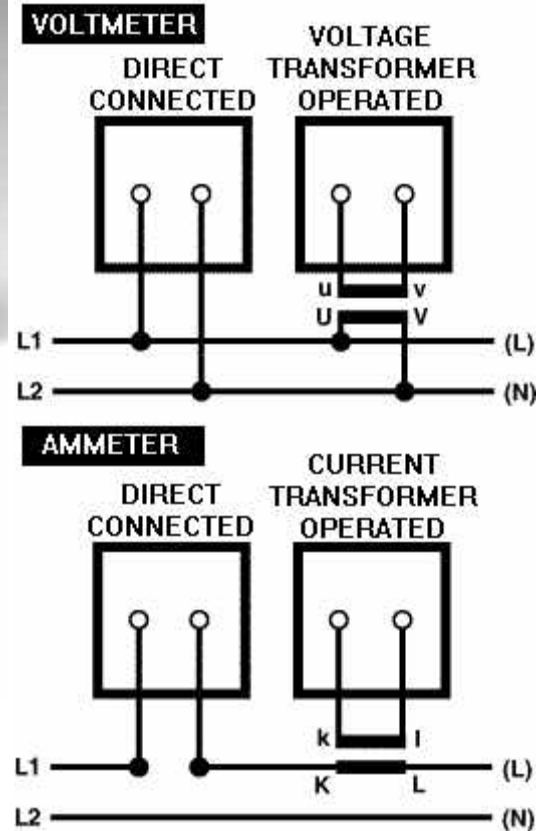
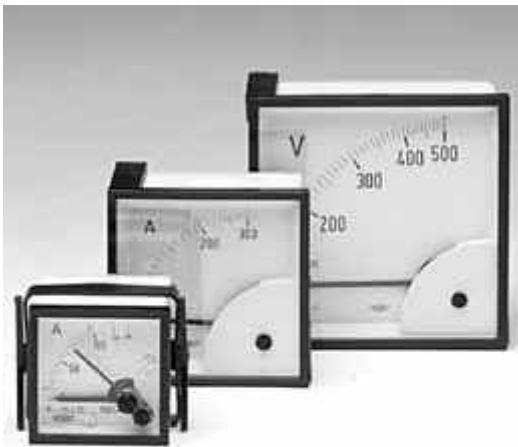
Burden: 0.7VA typical for 1A or 5A CT operated at 50Hz.
1.2VA max for up to 30A.
2.4VA max for 40A to 100A.
6VA max for voltmeters up to 600V.

Frequency: Calibrated at 50Hz.
Specify for frequencies 15Hz up to 400Hz.

Scaling: Standard ammeter and voltmeter scales. (2x and 6x overload ammeter scales available on request).

Damping: Heavily damped movements available.

Availability: DIN 96, DIN72, DIN48.



Standards: IEC 51, BS 89.

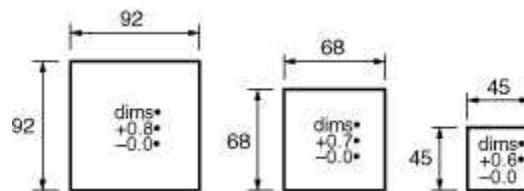
Enclosure: DIN43700.
Flame Retardant
base material UL94V1,
case & terminal cover material
UL94V0.
Scale marking DIN 43802
Protection IP52: IP54 can be
supplied.

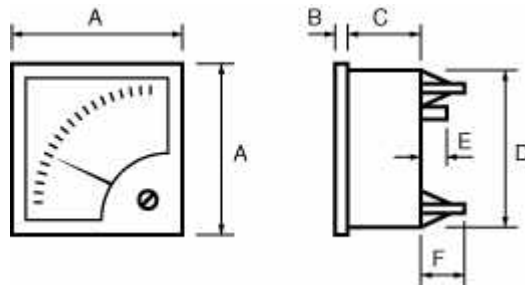
Overload: CURRENT- 1.2 x rating for 2hrs.
- 10 x rating for 5 secs.
VOLTAGE - 1.2 x rating for 2hrs.
- 2 x rating for 5 secs.

Insulation test: 2kV 50Hz for 1min.

Temperature: Calibrated at 23°C
Suitable for use at -25°C to +40°C.

Available Extras: Adjustable red secondary pointer.
Terminal cover.
Special scale.
Polycarbonate window.
6.4mm "Faston" terminal tag
(voltmeters & ammeters to 5A).





	A	B	C	D	E	F
DIN48 (M4 screw clamps) Ammeters up to 5A & Voltmeters	48	5	43	44.8	10	-
DIN48 (M6 stud terminals) Ammeters 6A to 40A	48	5	43	44.8	21	-
DIN72 (M4 screw clamps) Ammeters up to 5A & Voltmeters	72	5.5	38.5	66	10	-
DIN72 (M6 stud terminals) Ammeters 6A to 50A	72	5.5	38.5	66	19	-
DIN72 (M8 stud terminals) Ammeters 60A to 100A	72	5.5	38.5	66	22	-
DIN96 (M4 screw clamps) Ammeters up to 5A & Voltmeters	96	5.5	38.5	90	10	20
DIN96 (M6 stud terminals) Ammeters 6A to 50A	96	5.5	38.5	90	19	20
DIN96 (M8 stud terminals) Ammeters 60A to 100A	96	5.5	28.5	90	22	20
DIN96 Watt-meter	96	5.5	123	90	13	-
DIN96 Power Factor Indicator	96	5.5	123	90	13	-
DIN96 Max Demand Indicator (M4 Screw clamps)	96	5.5	58	90	10	20
DIN96 Combined MDI (M4 Screw clamps)	96	5.5	58	90	10	20

Note: If terminal covers are fitted as an optional extra, add 23mm to dimension 'C' for DIN72 & DIN96 meters, add 25mm to dimension 'C' for DIN48 meters.