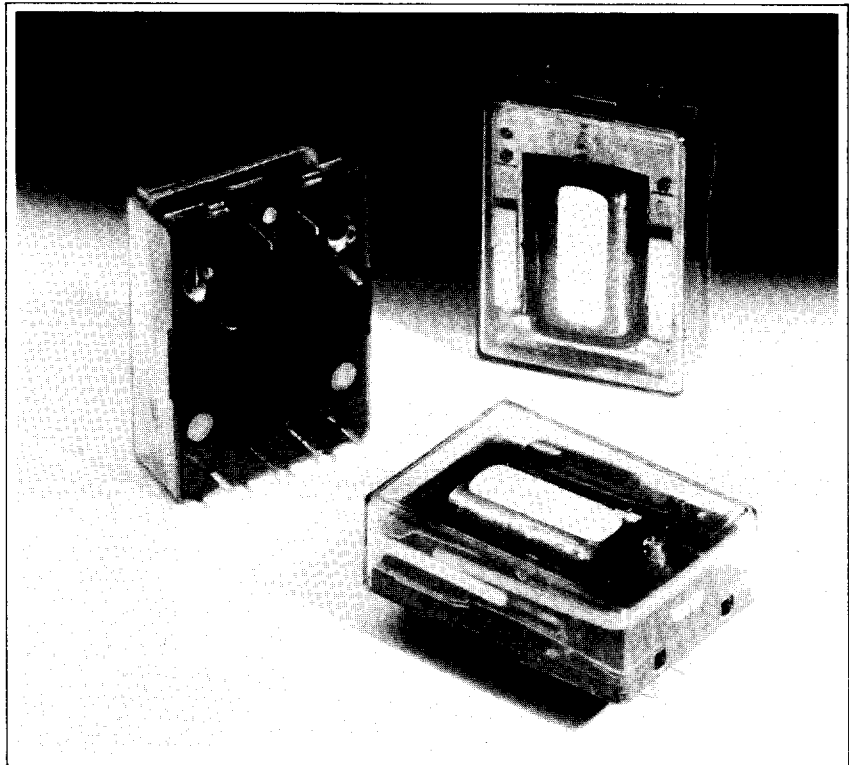




Pye Electro-Devices Ltd

Relays Series 22



Description

Miniature enclosed low profile double pole relays designed for DC operation and printed circuit mounting. Of particular use in applications where board height rather than area is of prime importance.

Contacts

Two pole change-over with a choice of Silver Palladium or Fine Silver.

Contact Rating

Silver Palladium Suitable for low level switching of currents below 100mA at greater than 1V maximum ratings as for Fine Silver.

Fine Silver Suitable for general purpose switching up to a maximum of 60W at 2A or 115V AC/DC.

Contact Switching Time

Operate 8msec } typical
Release 6msec } including bounce

Electrical Life Expectancy

Silver Palladium 2A, 30V 50Hz
0.5A, 115V 50Hz,
 7×10^5 operations.
1A, 30V DC or
0.3A 115V AC or
DC, 3×10^6
operations.

Fine Silver 2A, 30V DC or
0.5A, 115V 50Hz
 5×10^5 operations.

Fine Silver 1A, 30V DC or
0.3A 115V AC or
DC, 2×10^6
operations.

All figures refer to resistive loads.

Mechanical Life Expectancy

10^7 operations.

Coils

Coil Voltage

See table overleaf for standard options.

Voltage Tolerance

See table

Coil Power

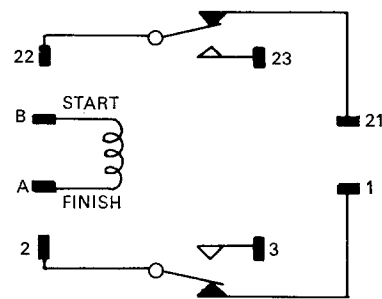
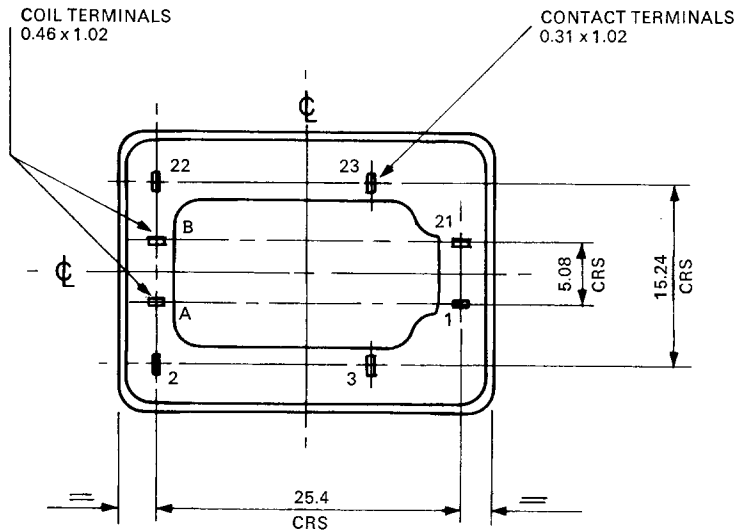
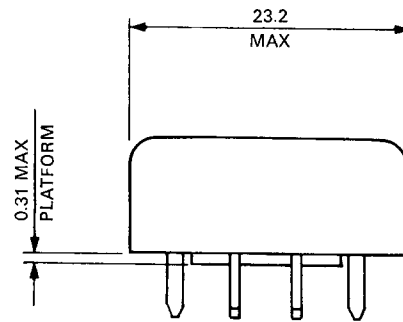
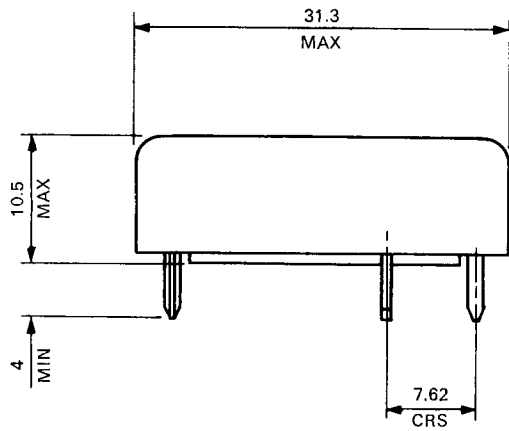
500mW nominal

Proof Voltage

500V RMS between all live parts

Voltage Tolerance Type 22

Voltage	Resistance Ohms $\pm 10\%$	25°C Ambient		Operating Voltage Range 40°C Ambient		55°C Ambient	
		MIN	MAX	MIN	MAX	MIN	MAX
5V DC	50	4.2	8.2	4.4	7.5	4.6	6.7
6V DC	70	5	9.7	5.3	8.9	5.5	7.9
8V DC	125	6.6	13	7	11.9	7.3	10.5
12V DC	290	9.9	19.8	10.5	18	10.9	16.1
24V DC	1135 $\pm 15\%$	19.8	39	21	36	21.8	32
48V DC	4600 $\pm 15\%$	40	80	42	72	44	64
60V DC	5630	43	87	45	79	47	71



All dimensions in mm.

Ordering Information

Insulation
Class E

2 2

7 3 0

X X X

X X X

Temperature

Standard relays will operate in ambient temperatures in the range -20°C to $+55^{\circ}\text{C}$.

Mounting and Connections

Directly onto printed circuit board with pins on 2.54mm matrix.

Weight

Standard relay 21g.

Specifications and Approvals

Series 22 relays conform to IEC recommendations in respect of height (10.5mm) and are specified as type 35 relays by the British Post Office for use in certain equipments.

CONTACT	Two-change-over Silver/Palladium	2	3	1
	Two-change-over Silver	2	3	2

COIL	5 Volt DC	5	0	0
	6 Volt DC	5	6	0
	8 Volt DC	5	8	0
	12 Volt DC	6	2	0
	24 Volt DC	7	4	0
	48 Volt DC	8	8	0
	60 Volt DC	8	9	0

We reserve the right to change without prior notice the information contained in this leaflet.

Health & Safety at Work etc., Act 1974

Some of our products are capable of being operated by and capable of switching high voltages and/or currents. Care must therefore be exercised in the usage of such products.



Pye Electro-Devices Ltd

Relay and Solenoid Division, Exning Road, Newmarket, Suffolk CB8 0AX, England. Telephone: Newmarket (0638) 5161 Telex: 81245 PYECON

66