

18550527 2

3

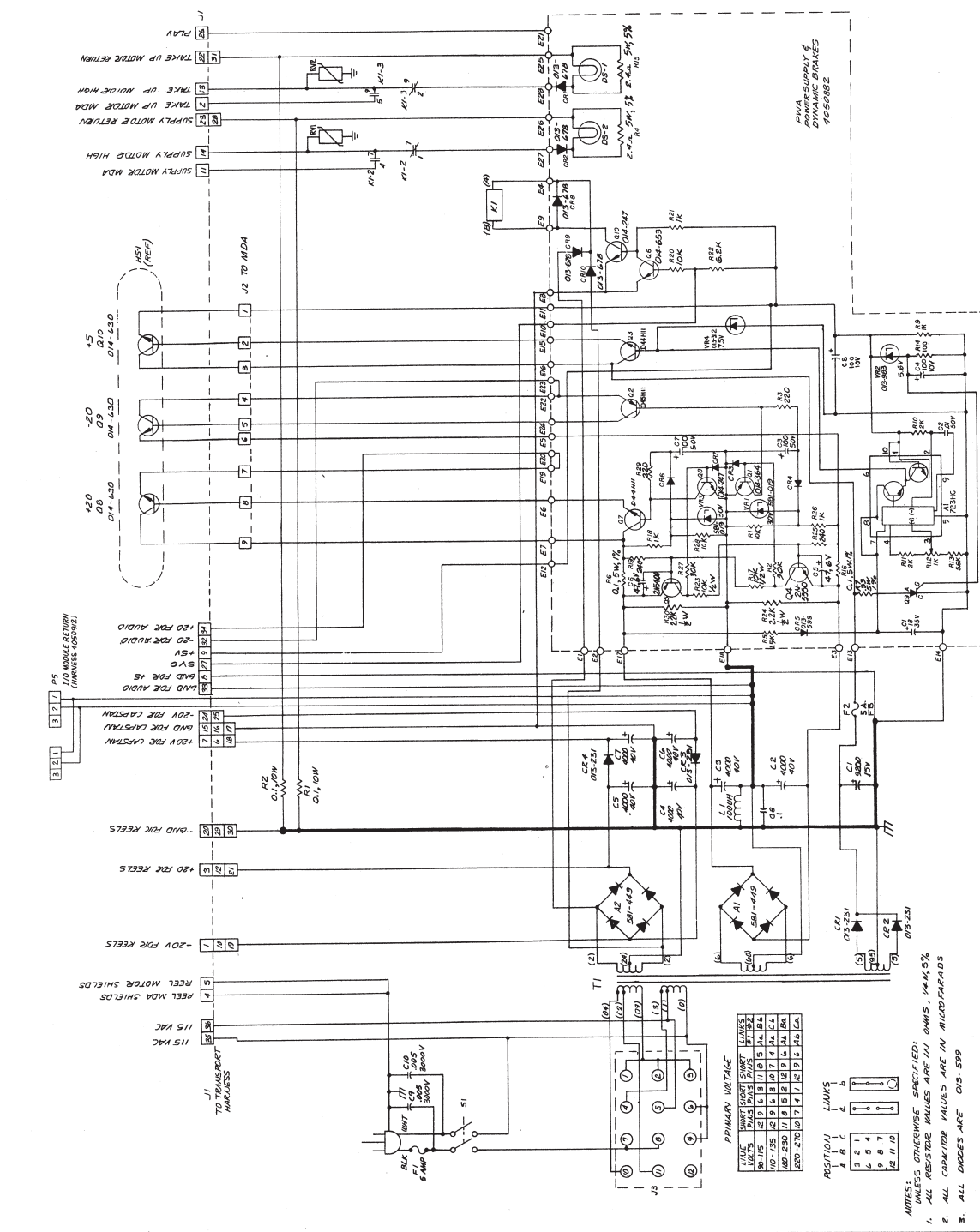
4

5

6

7

8



PRIMARY VOLTAGE

TABLE	PRIMARY VOLTAGE	SECONDARY VOLTAGE
1	115	200
2	115	200
3	115	200
4	115	200
5	115	200
6	115	200
7	115	200
8	115	200
9	115	200
10	115	200
11	115	200
12	115	200
13	115	200
14	115	200
15	115	200
16	115	200
17	115	200
18	115	200
19	115	200
20	115	200

POSITION LINKS

POSITION	LINKS
A	1, 2, 3, 4, 5, 6, 7, 8, 9, 10, 11, 12
B	1, 2, 3, 4, 5, 6, 7, 8, 9, 10, 11, 12
C	1, 2, 3, 4, 5, 6, 7, 8, 9, 10, 11, 12
D	1, 2, 3, 4, 5, 6, 7, 8, 9, 10, 11, 12
E	1, 2, 3, 4, 5, 6, 7, 8, 9, 10, 11, 12
F	1, 2, 3, 4, 5, 6, 7, 8, 9, 10, 11, 12
G	1, 2, 3, 4, 5, 6, 7, 8, 9, 10, 11, 12
H	1, 2, 3, 4, 5, 6, 7, 8, 9, 10, 11, 12

- NOTES:
- UNLESS OTHERWISE SPECIFIED:
  - ALL RESISTOR VALUES ARE IN OHMS, 1/4W, 5%
  - ALL CAPACITOR VALUES ARE IN MICROFARADS
  - ALL DIMENSIONS ARE 013-539

Schematic No. 4840458G.  
Power Supply and Dynamic Brakes PWA

6-117/6-118

AMPEX 4890407-04