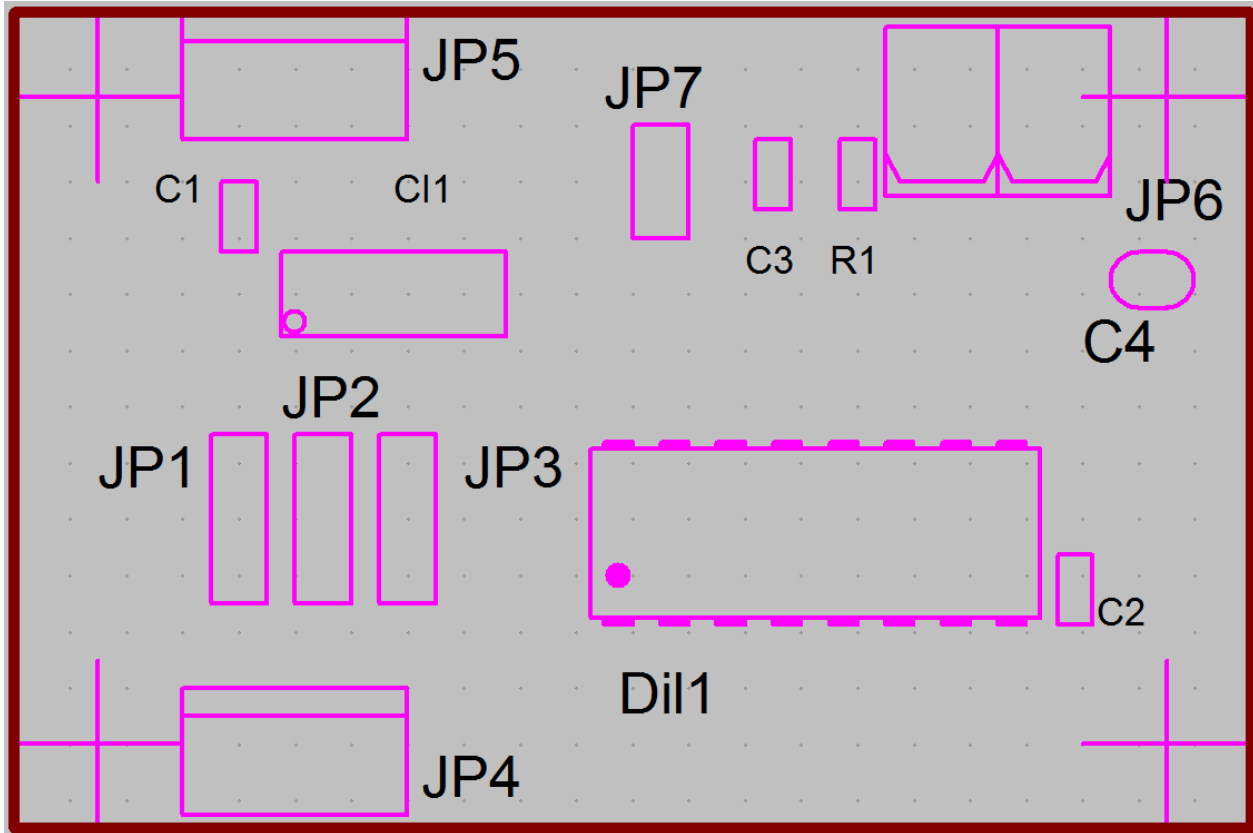




Plan d'implantation :



BOM :

NB CARTE :		1									
Composant	nb	total	CMS	boitier	valeur	cout lot	nb par lot	nb lot	total	reste	total groupe
C1 - C2	2	2	oui		10uf 25V	3,5	10	1	0,7	8	3,5
C3	1	1	oui		220 nf	4	10	1	0,4	9	4
C4	1	1	non		10uf 25V cera	0,2	1	1	0,2	0	0,2
C11	1	1	oui		PCF8574	4,2	10	1	0,42	9	4,2
C12	1	1	non		CD4518	2	10	1	0,2	9	2
JP6	1	1	non		bornier 5,08rr	3	20	1	0,15	19	3
JP4 - JP5	2	2	non		4 bornes 2,54	0,2	1	2	0,4	0	0,4
R1	1	1	non		4,7K	2,8	100	1	0,028	99	2,8
JP1 - JP3	3	3	non		jumper 2 posi	0,2	1	3	0,6	0	0,6
										Total idéal unitaire	3,098
										Total des lots :	20,7
										Total par lot unitaire :	20,7

Liens des achats :

lien
<a href="https://www.aliexpress.com/item/Patch-capacitor-3225-1210-10-uf-100-v-106-k-X7R-ceramic-capacitor-10/32833347576.html?spm=2114.search0204.3.1.73ab6a1flx4RyQ&amp;ws_ab_test=searchweb0_0,searchweb201602_1_10152_10151_10065_10344_10068_10342_10343_10340_10341_10084_10083_10618_10305_10304_10307_10306_10302_5711211_10313_10059_5722311_10184_10534_100031_10629_10103_10626_10625_10624_10623_10622_10621_10620_10142,searchweb201603_1,ppcSwitch_5_ppcChannel&amp;algo_expid=c90cfeeb-fb46-49a1-8426-">https://www.aliexpress.com/item/Patch-capacitor-3225-1210-10-uf-100-v-106-k-X7R-ceramic-capacitor-10/32833347576.html?spm=2114.search0204.3.1.73ab6a1flx4RyQ&amp;ws_ab_test=searchweb0_0,searchweb201602_1_10152_10151_10065_10344_10068_10342_10343_10340_10341_10084_10083_10618_10305_10304_10307_10306_10302_5711211_10313_10059_5722311_10184_10534_100031_10629_10103_10626_10625_10624_10623_10622_10621_10620_10142,searchweb201603_1,ppcSwitch_5_ppcChannel&amp;algo_expid=c90cfeeb-fb46-49a1-8426-</a>

9121cbb5b0a6-0&algo\_pvid=c90cfeeb-fb46-49a1-8426-9121cbb5b0a6&priceBeautifyAB=0

[https://www.aliexpress.com/item/Free-shipping-10pcs-lot-8574-PCF8574-PCF8574T-SOP16-interface-chip-new-original/32704589659.html?spm=2114.search0204.3.7.4d9c14d700ISXt&s=p&ws\\_ab\\_test=searchweb0\\_0,searchweb201602\\_1\\_10152\\_10151\\_10065\\_10344\\_10068\\_10342\\_10343\\_10340\\_10341\\_10084\\_10083\\_10618\\_10305\\_10304\\_10307\\_10306\\_10302\\_5711211\\_10313\\_10059\\_5722311\\_10184\\_10534\\_100031\\_10629\\_10103\\_10626\\_10625\\_10624\\_10623\\_10622\\_10621\\_10620\\_10142,searchweb201603\\_1,ppcSwitch\\_5\\_ppcChannel&priceBeautifyAB=0](https://www.aliexpress.com/item/Free-shipping-10pcs-lot-8574-PCF8574-PCF8574T-SOP16-interface-chip-new-original/32704589659.html?spm=2114.search0204.3.7.4d9c14d700ISXt&s=p&ws_ab_test=searchweb0_0,searchweb201602_1_10152_10151_10065_10344_10068_10342_10343_10340_10341_10084_10083_10618_10305_10304_10307_10306_10302_5711211_10313_10059_5722311_10184_10534_100031_10629_10103_10626_10625_10624_10623_10622_10621_10620_10142,searchweb201603_1,ppcSwitch_5_ppcChannel&priceBeautifyAB=0)

[https://www.aliexpress.com/item/in-stock-can-pay-CD4518BE-CD4518-DIP-16/32821370480.html?spm=2114.search0204.3.32.2db340262l6eLY&ws\\_ab\\_test=searchweb0\\_0,searchweb201602\\_1\\_10152\\_10151\\_10065\\_10344\\_10068\\_10342\\_10343\\_10340\\_10341\\_10084\\_10083\\_10618\\_10305\\_10304\\_10307\\_10306\\_10302\\_5711211\\_10313\\_10059\\_5722311\\_10184\\_10534\\_100031\\_10629\\_10103\\_10626\\_10625\\_10624\\_10623\\_10622\\_10621\\_10620\\_10142,searchweb201603\\_1,ppcSwitch\\_5\\_ppcChannel&algo\\_expid=7fbd1c87-cc28-4c14-ae5a-c6c4cebce216-5&algo\\_pvid=7fbd1c87-cc28-4c14-ae5a-c6c4cebce216&priceBeautifyAB=0](https://www.aliexpress.com/item/in-stock-can-pay-CD4518BE-CD4518-DIP-16/32821370480.html?spm=2114.search0204.3.32.2db340262l6eLY&ws_ab_test=searchweb0_0,searchweb201602_1_10152_10151_10065_10344_10068_10342_10343_10340_10341_10084_10083_10618_10305_10304_10307_10306_10302_5711211_10313_10059_5722311_10184_10534_100031_10629_10103_10626_10625_10624_10623_10622_10621_10620_10142,searchweb201603_1,ppcSwitch_5_ppcChannel&algo_expid=7fbd1c87-cc28-4c14-ae5a-c6c4cebce216-5&algo_pvid=7fbd1c87-cc28-4c14-ae5a-c6c4cebce216&priceBeautifyAB=0)

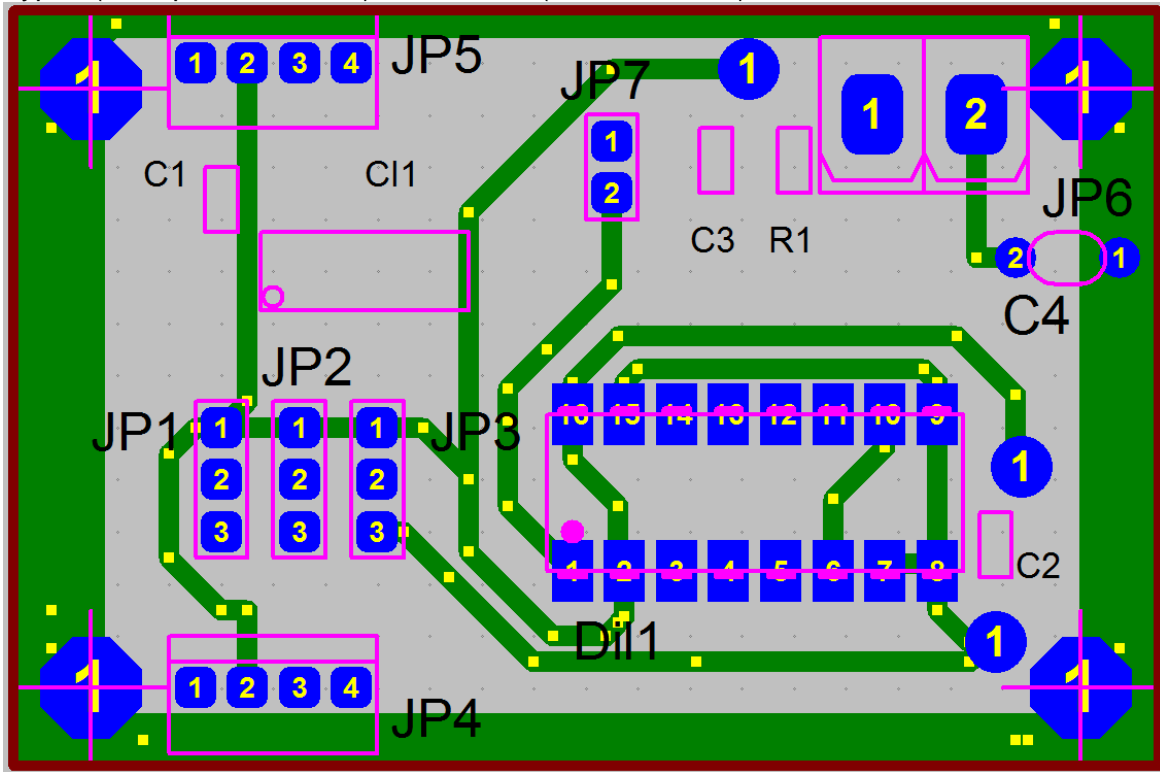
[https://www.aliexpress.com/item/20PCS-LOT-KF301-2P-KF301-5-0-2P-KF301-Screw-2Pin-5-0mm-Straight-Pin-PCB/32694793102.html?spm=2114.search0204.3.1.55e06c50N7Uerj&s=p&ws\\_ab\\_test=searchweb0\\_0,searchweb201602\\_1\\_10152\\_10151\\_10065\\_10344\\_10068\\_10342\\_10343\\_10340\\_10341\\_10084\\_10083\\_10618\\_10305\\_10304\\_10307\\_10306\\_10302\\_5711211\\_10313\\_10059\\_5722311\\_10184\\_10534\\_100031\\_10629\\_10103\\_10626\\_10625\\_10624\\_10623\\_10622\\_10621\\_10620\\_10142,searchweb201603\\_1,ppcSwitch\\_5\\_ppcChannel&priceBeautifyAB=0](https://www.aliexpress.com/item/20PCS-LOT-KF301-2P-KF301-5-0-2P-KF301-Screw-2Pin-5-0mm-Straight-Pin-PCB/32694793102.html?spm=2114.search0204.3.1.55e06c50N7Uerj&s=p&ws_ab_test=searchweb0_0,searchweb201602_1_10152_10151_10065_10344_10068_10342_10343_10340_10341_10084_10083_10618_10305_10304_10307_10306_10302_5711211_10313_10059_5722311_10184_10534_100031_10629_10103_10626_10625_10624_10623_10622_10621_10620_10142,searchweb201603_1,ppcSwitch_5_ppcChannel&priceBeautifyAB=0)

### Exemple achat par 5

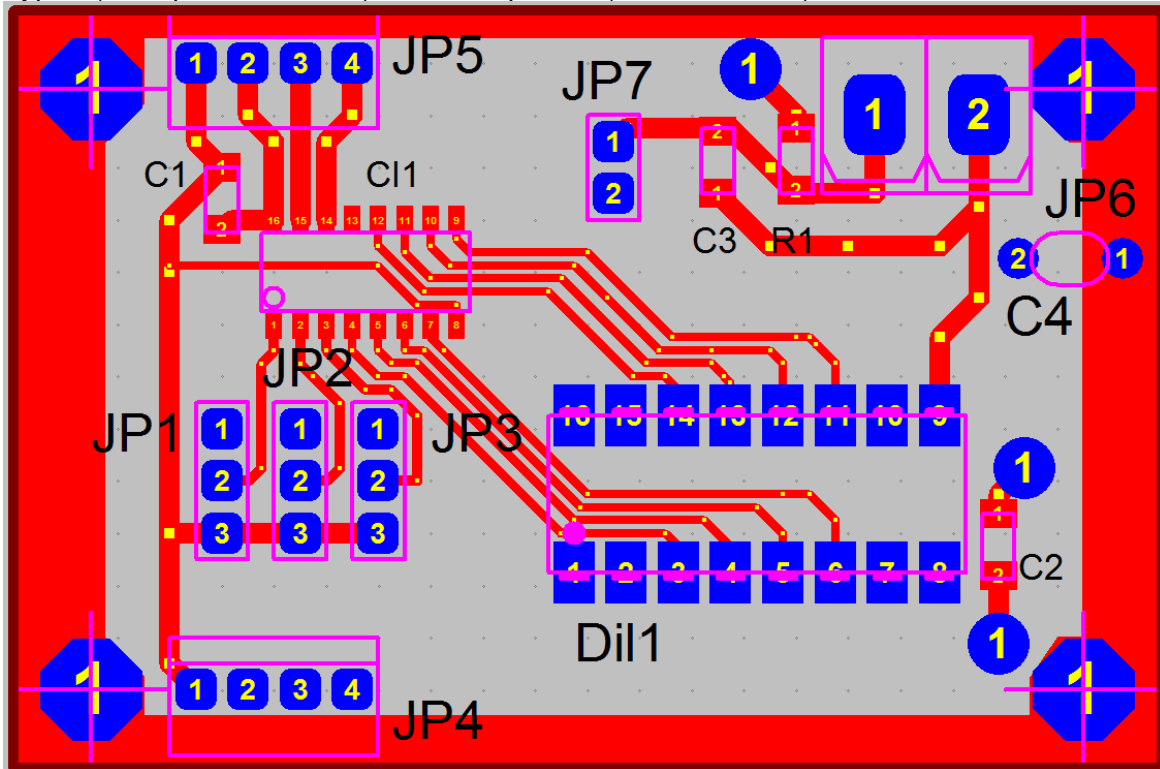
NB CARTE :		5									
Composant	nb	total	CMS	boitier	valeur	cout lot	nb par lot	nb lot	total	reste	
C1 - C2	2	10	oui		10uf 25V	3,5	10	1	3,5	8	
C3	1	5	oui		220 nf	4	10	1	2	9	
C4	1	5	non		10uf 25V cera	0,2	1	5	1	4	
CI1	1	5	oui		PCF8574	4,2	10	1	2,1	9	
CI2	1	5	non		CD4518	2	10	1	1	9	
JP6	1	5	non		bornier 5,08mm	3	20	1	0,75	19	
JP4 - JP5	2	10	non		4 bornes 2,54	0,2	1	10	2	8	
R1	1	5	non		4,7K	2,8	100	1	0,14	99	
JP1 - JP3	3	15	non		jumper 2 posi	0,2	1	15	3	12	
									Total idéal unitaire	3,098	
									Total des lots :	25,5	
									Total par lot unitaire :	5,1	

Taille carte : 5.75 x 4 cm

Typon (sans plan de masse), coté cuivre (vue de dessus)



Typon (sans plan de masse), côté composant (vue de dessus)



Typon avec mise à la masse

