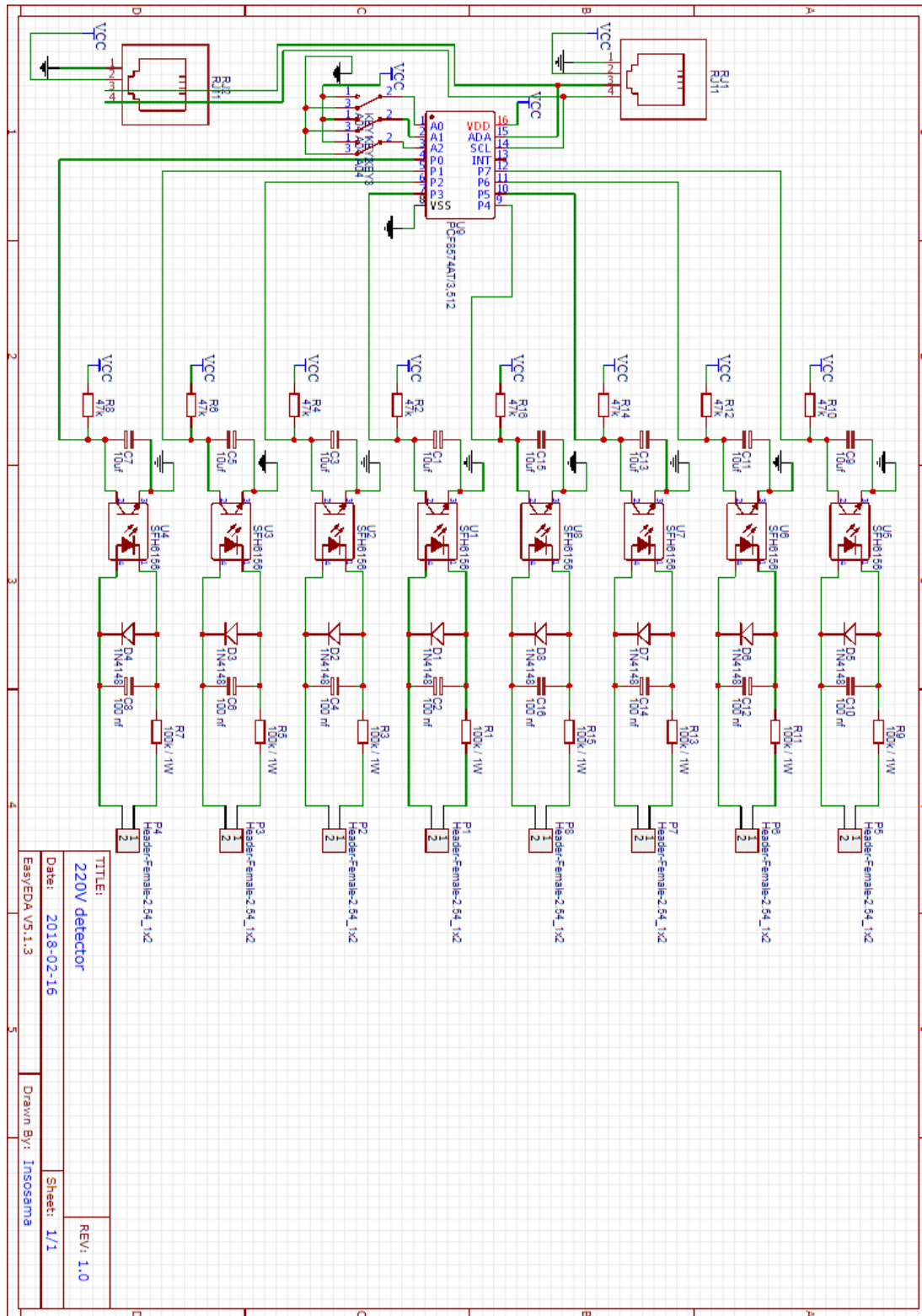
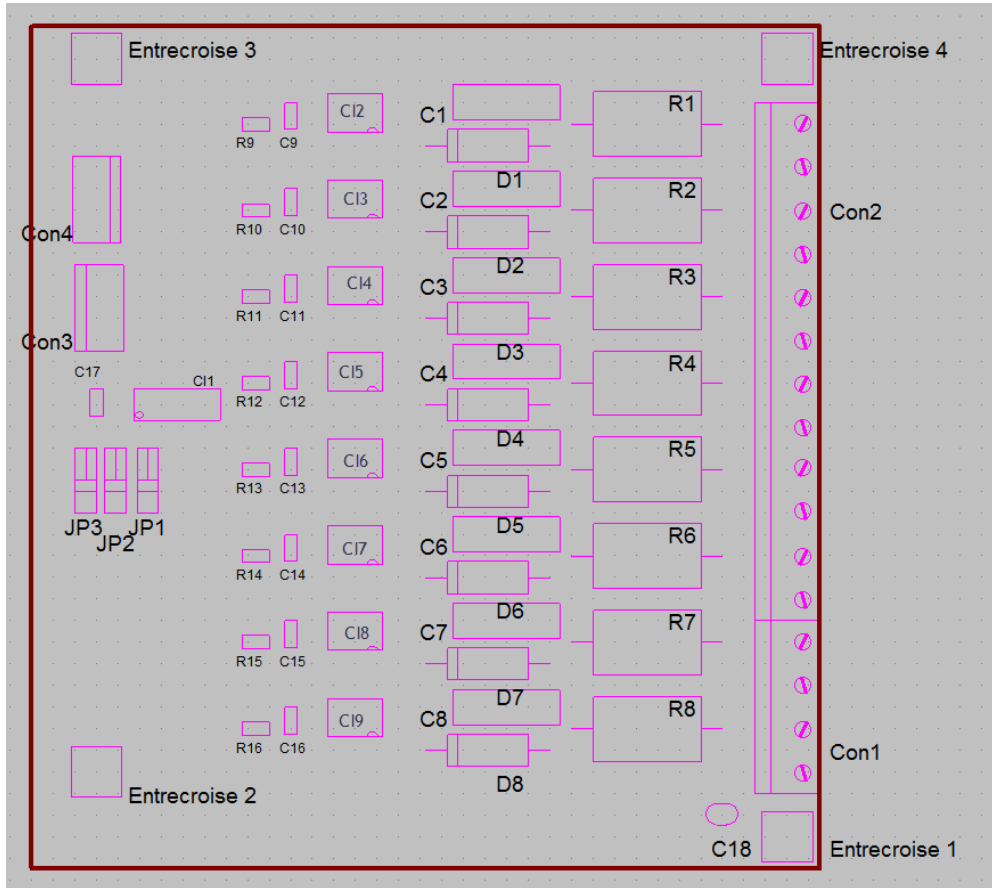


Carte électronique « Détection présence 220V », 8 canaux, I2C

Schéma :



Plan d'implantation :



BOM :

NB CARTE :											
Composant	nb	total	CMS	boitier	valeur	cout lot	nb par lot	nb lot	total	reste	total groupe
C1 - C8	8	8	non		100nf 250V	2,8	10	1	2,24	2	2,8
C9 - C17	9	9	oui		10uf 25V	3,5	10	1	3,15	1	3,5
C18	1	1	non		10uf 25V ceramique	0,2	1	1	0,2	0	0,2
CI1	1	1	oui		PCF8574	4,2	10	1	0,42	9	4,2
CI2 - CI9	8	8	oui		SFH6156	5	20	1	2	12	5
Con1 - Con2	7	7	non		bornier 5,08mm	3	20	1	1,05	13	3
Con3 - Con4	2	2	non		4 bornes 2,54	0,2	1	2	0,4	0	0,4
D1 - D8	8	8	non		1N4148	2,8	100	1	0,224	92	2,8
JP1 - JP3	3	3	non		jumper 2 position	0,2	1	3	0,6	0	0,6
R1 - R8	8	8	non		100k 1W	3,2	50	1	0,5088	42	3,18
R9 - R16	8	8	oui		47k	2,9	300	1	0,07733333	292	2,9
						Total idéal unitaire				10,9	
						Total des lots :				28,6	
						Total par lot unitaire :				28,6	

Liens des achats :

https://www.aliexpress.com/item/104-100nF-250V-99138-Free-shipping-10pcs-CBB-Polypropylene-film-capacitor-pitch-10mm-104-100nF-250V/32375424772.html?spm=2114.search0204.3.1.679b78belDRPuh&ws_ab_test=searchweb0_0,searchweb201602_1_10152_10151_10065_10344_10068_10342_10343_10340_10341_10084_10083_10618_10305_10304_10307_10306_10302_5711211_10313_10059_5722311_10184_10534_100031_10629_10103_10626_10625_10624_10623_10622_10621_10620_10142,searchweb201603_1,ppcSwitch_5_ppcChannel&algo_expid=331effb0-b3d9-4ef9-9f3c-9787050f2246-0&algo_pvid=331effb0-b3d9-4ef9-9f3c-9787050f2246&priceBeautifyAB=0

https://www.aliexpress.com/item/Patch-capacitor-3225-1210-10-uf-100-v-106-k-X7R-ceramic-capacitor-10/32833347576.html?spm=2114.search0204.3.1.73ab6a1flx4RyQ&ws_ab_test=searchweb0_0,searchweb201602_1_10152_10151_10065_10344_10068_10342_10343_10340_10341_10084_10083_10618_10305_10304_10307_10306_10302_5711211_10313_10059_5722311_10184_10534_100031_10629_10103_10626_10625_10624_10623_10622_10621_10620_10142,searchweb201603_1,ppcSwitch_5_ppcChannel&algo_expid=c90cfeeb-fb46-49a1-8426-9121cbb5b0a6-0&algo_pvid=c90cfeeb-fb46-49a1-8426-9121cbb5b0a6&priceBeautifyAB=0

https://www.aliexpress.com/item/Free-shipping-10pcs-lot-8574-PCF8574-PCF8574T-SOP16-interface-chip-new-original/32704589659.html?spm=2114.search0204.3.7.4d9c14d700ISXt&s=p&ws_ab_test=searchweb0_0,searchweb201602_1_10152_10151_10065_10344_10068_10342_10343_10340_10341_10084_10083_10618_10305_10304_10307_10306_10302_5711211_10313_10059_5722311_10184_10534_100031_10629_10103_10626_10625_10624_10623_10622_10621_10620_10142,searchweb201603_1,ppcSwitch_5_ppcChannel&priceBeautifyAB=0

https://www.aliexpress.com/item/SFH6156-4T-SFH6156-6156-SMD4-20PCS-LOT/32811292480.html?spm=2114.search0204.3.2.42499159xc3HVp&ws_ab_test=searchweb0_0,searchweb201602_1_10152_10151_10065_10344_10068_10342_10343_10340_10341_10084_10083_10618_10305_10304_10307_10306_10302_5711211_10313_10059_5722311_10184_10534_100031_10629_10103_10626_10625_10624_10623_10622_10621_10620_10142,searchweb201603_1,ppcSwitch_5_ppcChannel&algo_expid=3438b4a2-71b7-47ff-8d4e-007590d6847e-0&algo_pvid=3438b4a2-71b7-47ff-8d4e-007590d6847e&priceBeautifyAB=0

https://www.aliexpress.com/item/20PCS-LOT-KF301-2P-KF301-5-0-2P-KF301-Screw-2Pin-5-0mm-Straight-Pin-PCB/32694793102.html?spm=2114.search0204.3.1.55e06c50N7Uerj&s=p&ws_ab_test=searchweb0_0,searchweb201602_1_10152_10151_10065_10344_10068_10342_10343_10340_10341_10084_10083_10618_10305_10304_10307_10306_10302_5711211_10313_10059_5722311_10184_10534_100031_10629_10103_10626_10625_10624_10623_10622_10621_10620_10142,searchweb201603_1,ppcSwitch_5_ppcChannel&priceBeautifyAB=0

https://www.aliexpress.com/item/100PCS-do-35-1N4148-IN4148-High-speed-switching-diodes-free-shipping/32729204179.html?spm=2114.search0204.3.64.80652e99yQyB8C&ws_ab_test=searchweb0_0,searchweb201602_1_10152_10151_10065_10344_10068_10342_10343_10340_10341_10084_10083_10618_10305_10304_10307_10306_10302_5711211_10313_10059_5722311_10184_10534_100031_10629_10103_10626_10625_10624_10623_10622_10621_10620_10142,searchweb201603_1,ppcSwitch_5_ppcChannel&algo_expid=0fc7f49a-ae11-4814-a30a-45ed2be61659-0&algo_pvid=0fc7f49a-ae11-4814-a30a-45ed2be61659&priceBeautifyAB=0

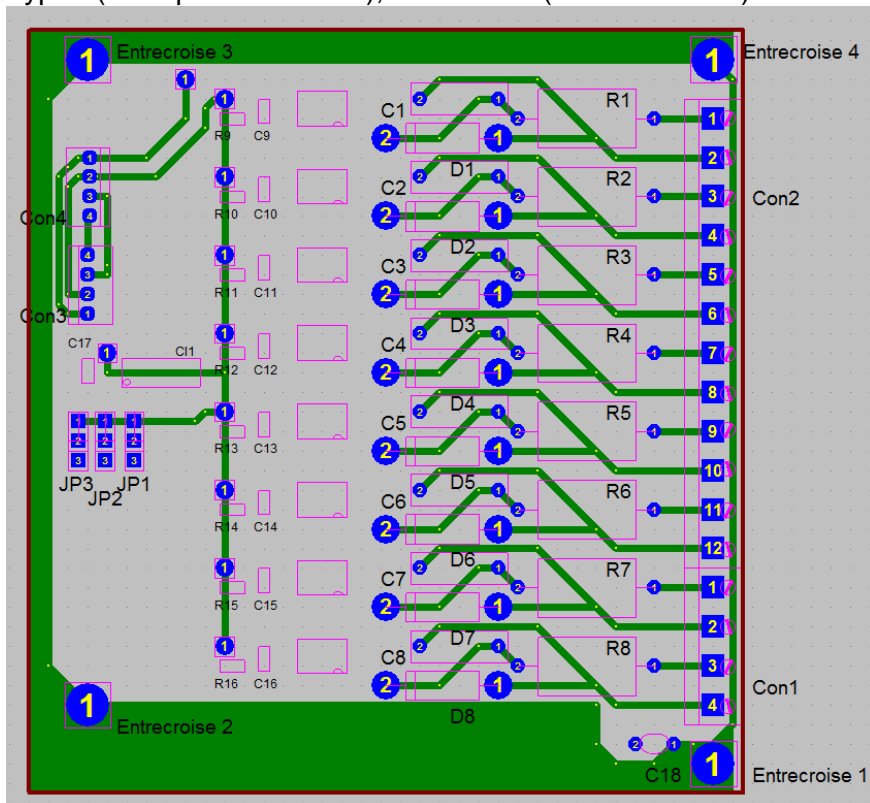
https://www.aliexpress.com/item/50pcs-1W-Metal-film-resistor-1-1R-1M-2R-10R-22R-47R-100R-330R-1K-4/32845332040.html?spm=2114.search0204.3.2.43775704ZThpsV&ws_ab_test=searchweb0_0,searchweb201602_1_10152_10151_10065_10344_10068_10342_10343_10340_10341_10084_10083_10618_10305_10304_10307_10306_10302_5711211_10313_10059_5722311_10184_10534_100031_10629_10103_10626_10625_10624_10623_10622_10621_10620_10142,searchweb201603_1,ppcSwitch_5_ppcChannel&algo_expid=143ef145-deb8-4400-a26b-3897e5b3b38b-0&algo_pvid=143ef145-deb8-4400-a26b-3897e5b3b38b&priceBeautifyAB=0
https://www.aliexpress.com/item/500pcs-0805-SMD-Resistor-1-47K-ohm-1-8W-473/32806586161.html?spm=2114.search0204.3.141.11af269ekneeoY&ws_ab_test=searchweb0_0,searchweb201602_1_10152_10151_10065_10344_10068_10342_10343_10340_10341_10084_10083_10618_10305_10304_10307_10306_10302_5711211_10313_10059_5722311_10184_10534_100031_10629_10103_10626_10625_10624_10623_10622_10621_10620_10142,searchweb201603_1,ppcSwitch_5_ppcChannel&algo_expid=7841b630-1911-4bcb-a9b5-b5d22e954db9-20&algo_pvid=7841b630-1911-4bcb-a9b5-b5d22e954db9&priceBeautifyAB=0

Exemple achat par 5

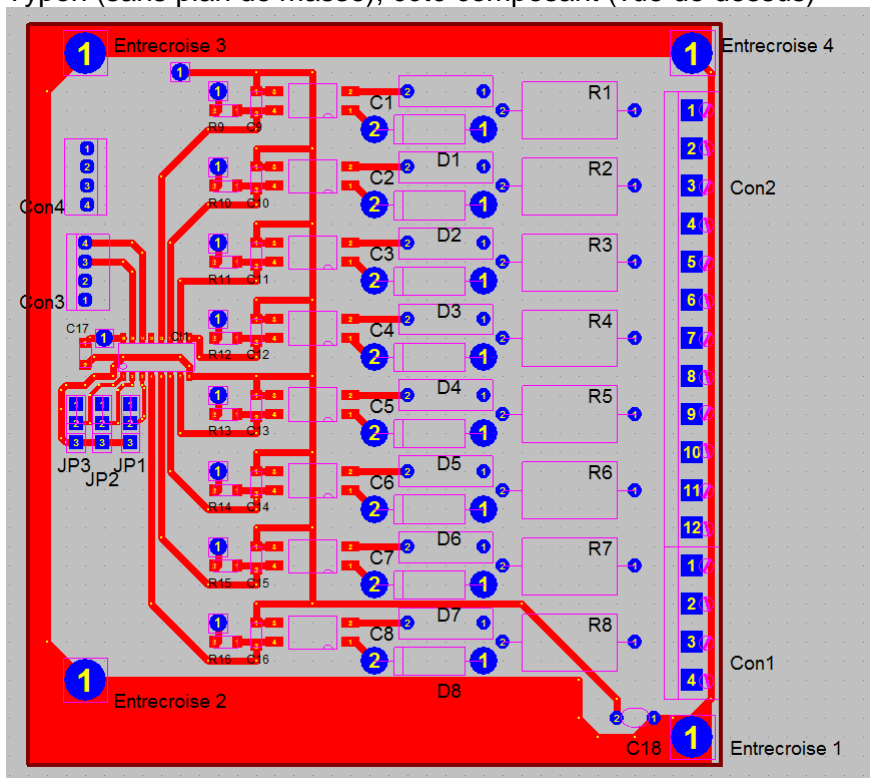
NB CARTE :		5									
Composant	nb	total	CMS	boitier	valeur	cout lot	nb par lot	nb lot	total	reste	total groupe
C1 - C8	8	40	non		100nf 250V	2,8	10	4	11,2	32	11,2
C9 - C17	9	45	oui		10uf 25V	3,5	10	5	15,75	41	17,5
C18	1	5	non		10uf 25V ceramique	0,2	1	5	1	4	1
CI1	1	5	oui		PCF8574	4,2	10	1	2,1	9	4,2
CI2 - CI9	8	40	oui		SFH6156	5	20	2	10	32	10
Con1 - Con2	7	35	non		bornier 5,08mm	3	20	2	5,25	33	6
Con3 - Con4	2	10	non		4 bornes 2,54	0,2	1	10	2	8	2
D1 - D8	8	40	non		1N4148	2,8	100	1	1,12	92	2,8
JP1 - JP3	3	15	non		jumper 2 position	0,2	1	15	3	12	3
R1 - R8	8	40	non		100k 1W	3,2	50	1	2,544	42	3,18
R9 - R16	8	40	oui		47k	2,9	300	1	0,38666667	292	2,9
						Total idéal unitaire				10,9	
						Total des lots :				63,8	
						Total par lot unitaire :				12,8	

Taille carte : 9.2 x 9.9 cm

Typon (sans plan de masse), coté cuivre (vue de dessus)



Typon (sans plan de masse), côté composant (vue de dessus)



Typon avec mise à la masse

