

A

B

C

D

E

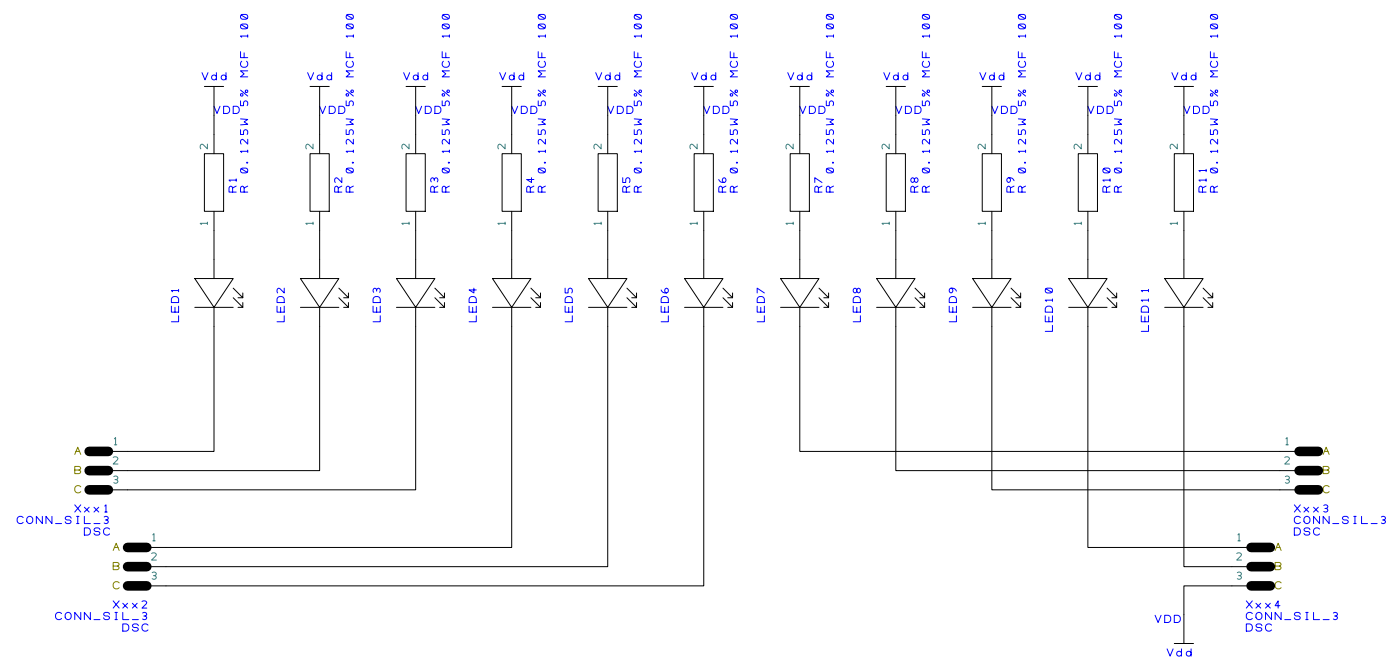
F

1

2

3

4



|           |  |  |  |           |  |
|-----------|--|--|--|-----------|--|
| PROJECT:  |  | DRAWING TITLE:   |  | REVISION: |  |
| DRAWN BY: |  | SHEET:    OF   |  | STATUS:   |  |
| DATE:     |  | DESIGNSPARK PCB available for FREE at <a href="http://www.DesignSpark.com/PCB">www.DesignSpark.com/PCB</a> |  |           |  |

