

5. Camera remote

The operation of zoom operation and record start/stop can be remotely controlled by connecting a remote controller with **ZOOM S/S** remote jack.
The operation of focus and iris operation can be remotely controlled by connecting a remote controller with **FOCUS/IRIS** remote jack.

NOTE: CAMERA remote control is only effective in the CAMERA mode.

5-1. ZOOM S/S REMOTE

Please refer to below indicated specification, When external remote is checked.

Terminal (refer to figure A)	Contents
A	Record start/stop input
B	Zooming control input
C	GND

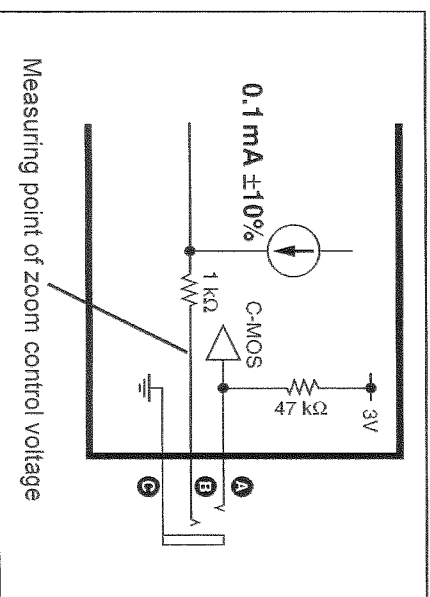


Figure A

5-1-1. Record start / stop input

Every time A terminal connects with the GND, it repeats recording and a recording stop.

5-1-2. Zooming control input

With the voltage to input to the B terminal, the zoom speed changes. As for the relation between the zoom control voltage and the zoom speed, it is as shown in the following.

Relation between the zoom control voltage and zoom speed

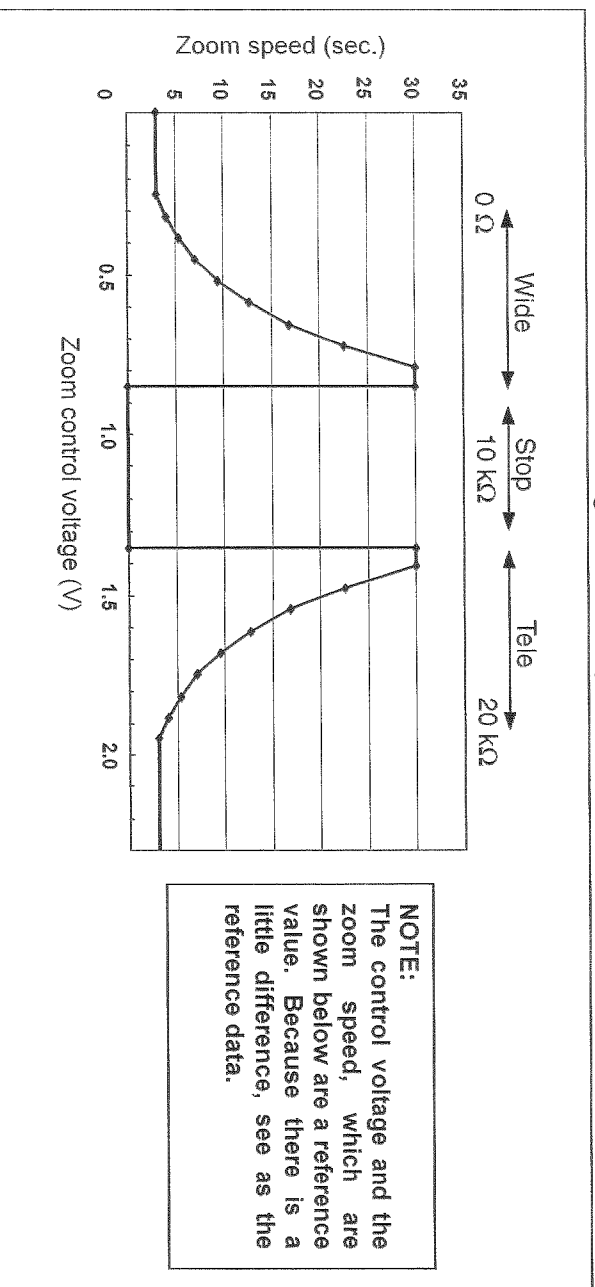


Figure B

5-2. FOCUS/IRIS REMOTE

Please refer to below indicated specification, When external remote is checked.

Terminal (refer to figure A)	Contents
A	GND
B	FOCUS control input
C	IRIS control input
D	IRIS(AUTO/MANU) switch input

Equivalent circuit of FOCUS/IRIS REMOTE jack

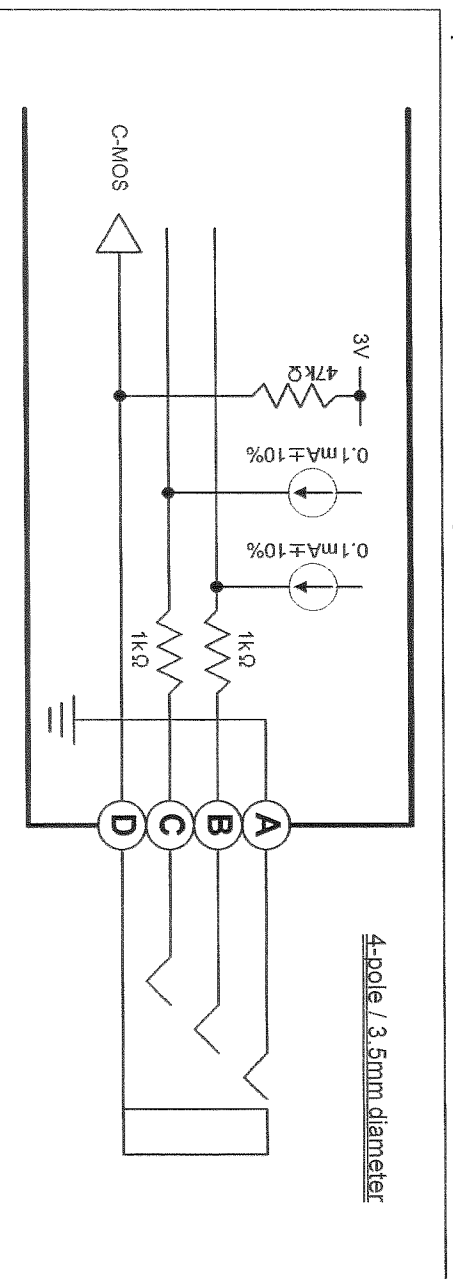


Figure C

5-2-1. Focus control input

With the voltage to input to the B terminal, the focus is changes. As for the relation between the focus control voltage and the focus, it is as shown in the following.

Relation between the focus control voltage and focus

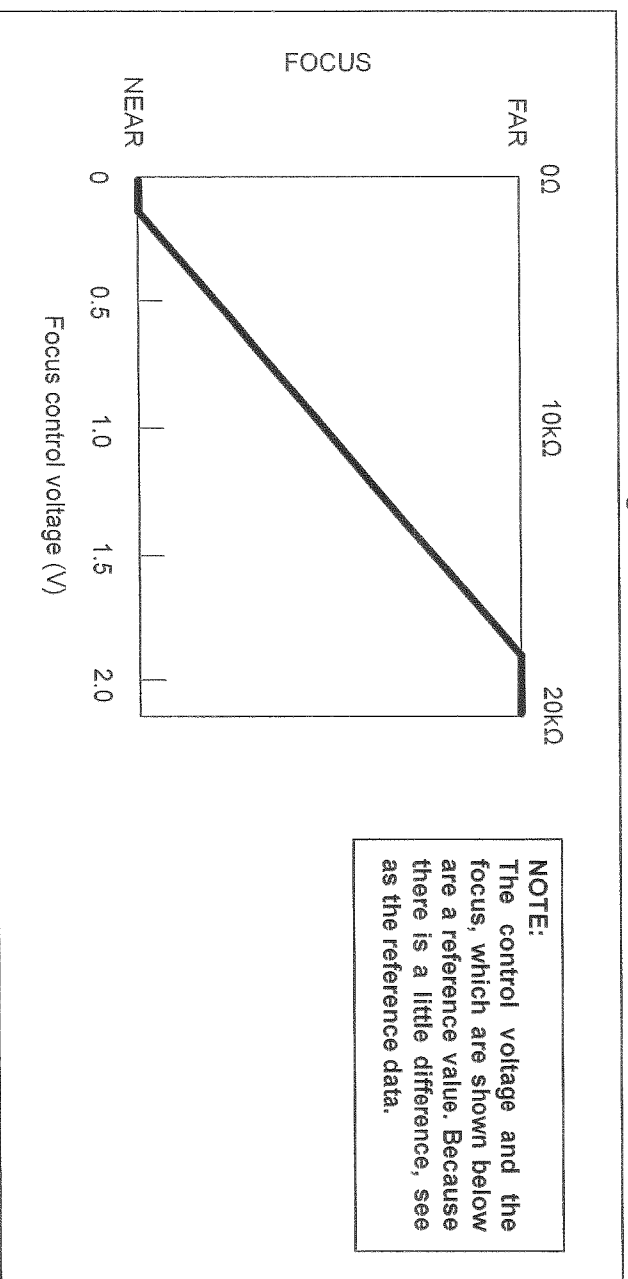


Figure D

When terminal B is open, the focus remote control becomes invalid.

5-2-2. IRIS control input

When terminal D is open, the VCR becomes AUTO-IRIS mode. When terminal D connects with the GND, the VCR becomes MANUAL-IRIS mode. With the voltage to input to the C terminal, the iris is changes. As for the relation between the iris control voltage and the iris, it is as shown in the following. Even if AUTO-IRIS is used, the iris can be corrected according to the input voltage.

Relation between the iris control voltage and iris

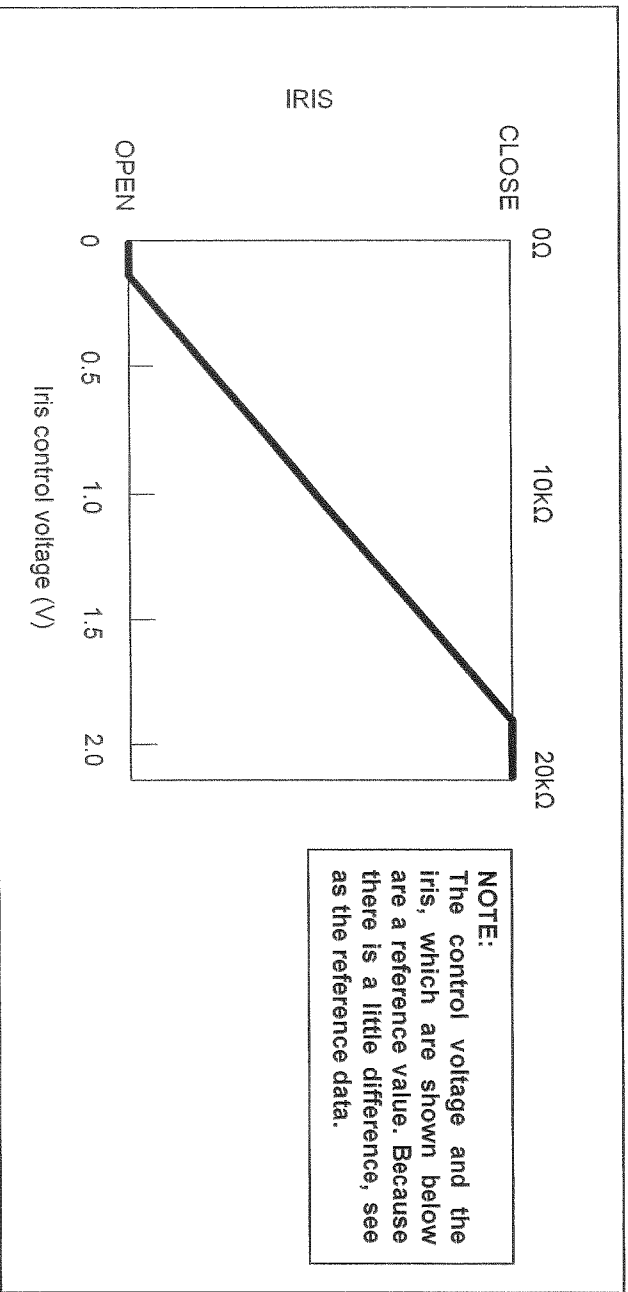


Figure E