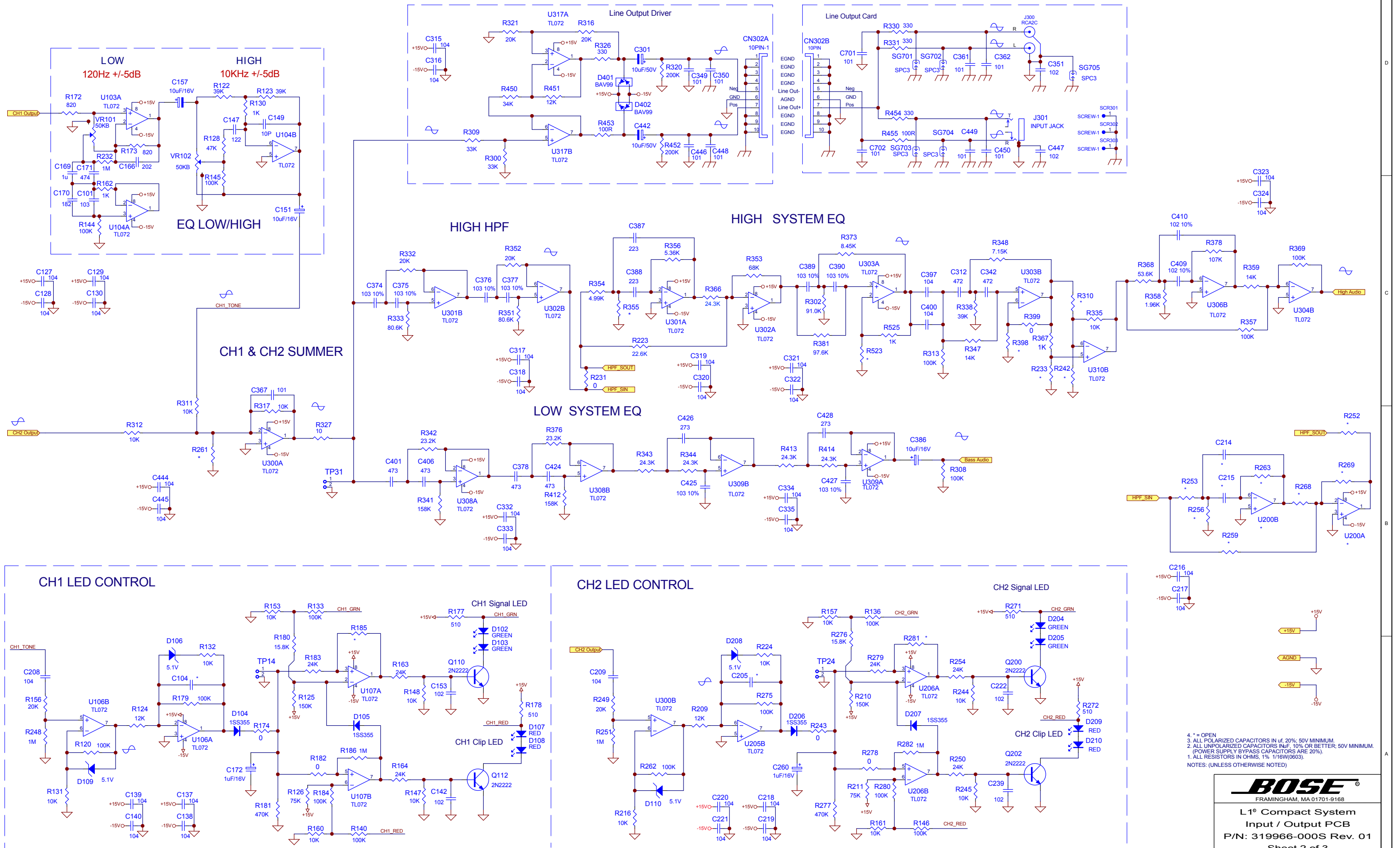
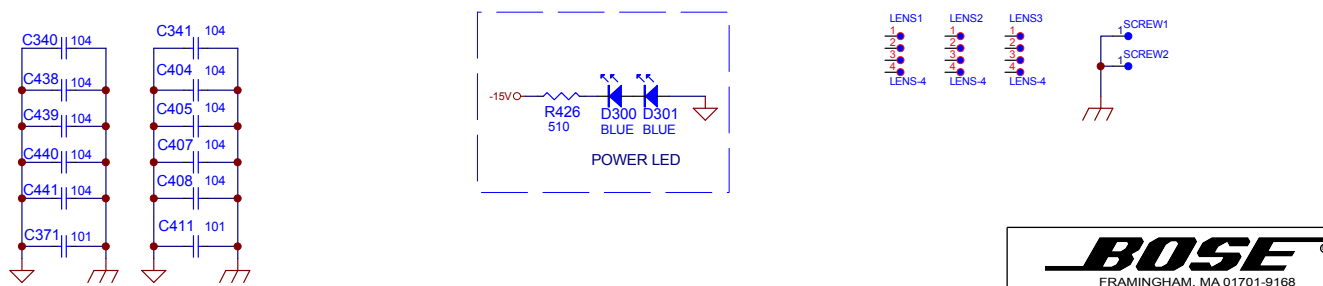
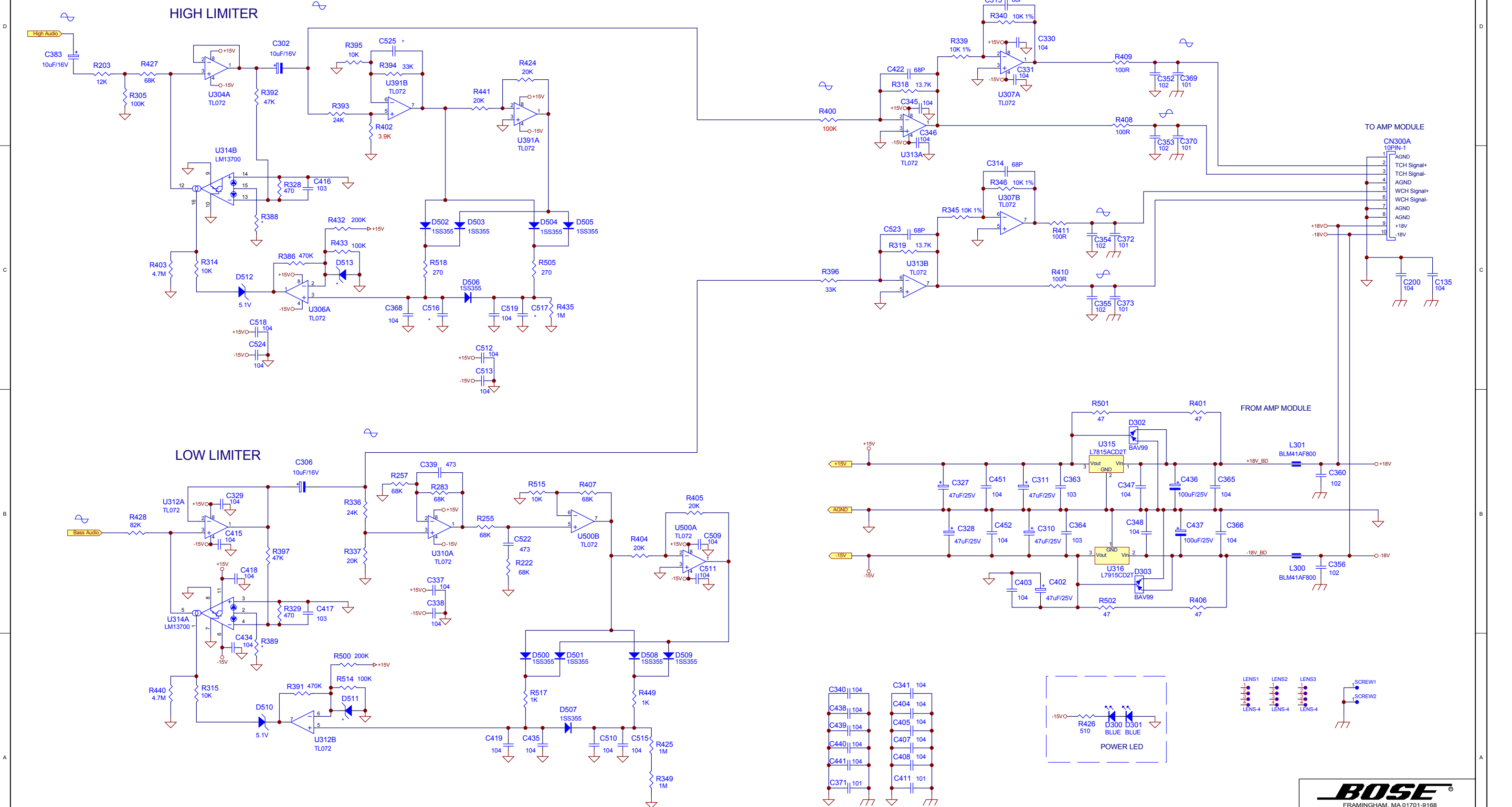


4. \* = OPEN  
 3. ALL POLARIZED CAPACITORS IN uF, 20% 50V MINIMUM.  
 2. ALL UNPOLARIZED CAPACITORS IN uF, 10% OR BETTER, 50V MINIMUM.  
 (POWER SUPPLY BYPASS CAPACITORS ARE 20%).  
 1. ALL RESISTORS IN OHMS, 1% 1/16W(0603).  
 NOTES: (UNLESS OTHERWISE NOTED)



4. \* = OPEN  
 3. ALL POLARIZED CAPACITORS IN uf, 20%; 50V MINIMUM.  
 2. ALL UNPOLARIZED CAPACITORS INuf, 10% OR BETTER; 50V MINIMUM.  
 (POWER SUPPLY BYPASS CAPACITORS ARE 20%).  
 1. ALL RESISTORS IN OHMS, 1% 1/16W(0603).  
 NOTES: (UNLESS OTHERWISE NOTED)

PRE-AMP SCHEMATIC SECTION

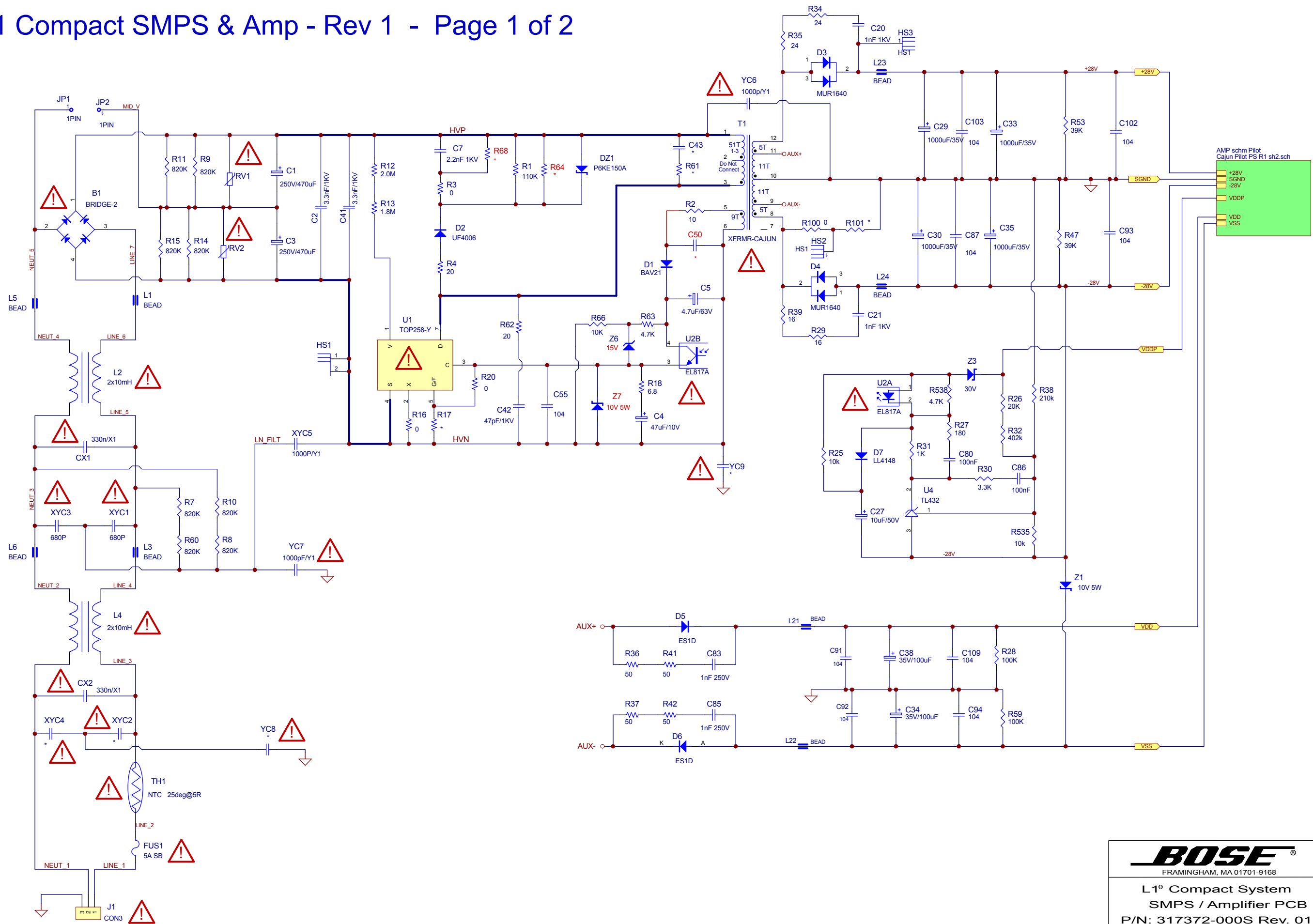


4. \* = OPEN  
 3. ALL POLARIZED CAPACITORS IN uf, 20%, 50V MINIMUM.  
 2. ALL UNPOLARIZED CAPACITORS INuF, 10% OR BETTER; 50V MINIMUM.  
 (POWER SUPPLY BYPASS CAPACITORS ARE 20%).  
 1. ALL RESISTORS IN OHMS, 1% 1/16W(0603).  
 NOTES: (UNLESS OTHERWISE NOTED)

**BOSE**  
 FRAMINGHAM, MA 01701-9188

**L1<sup>®</sup> Compact System**  
 Input / Output PCB  
 P/N: 319966-000S Rev. 01  
 Sheet 3 of 3

# L1 Compact SMPS & Amp - Rev 1 - Page 1 of 2



AMP schm Pilot  
Cajun Pilot PS R1 sh2.sch

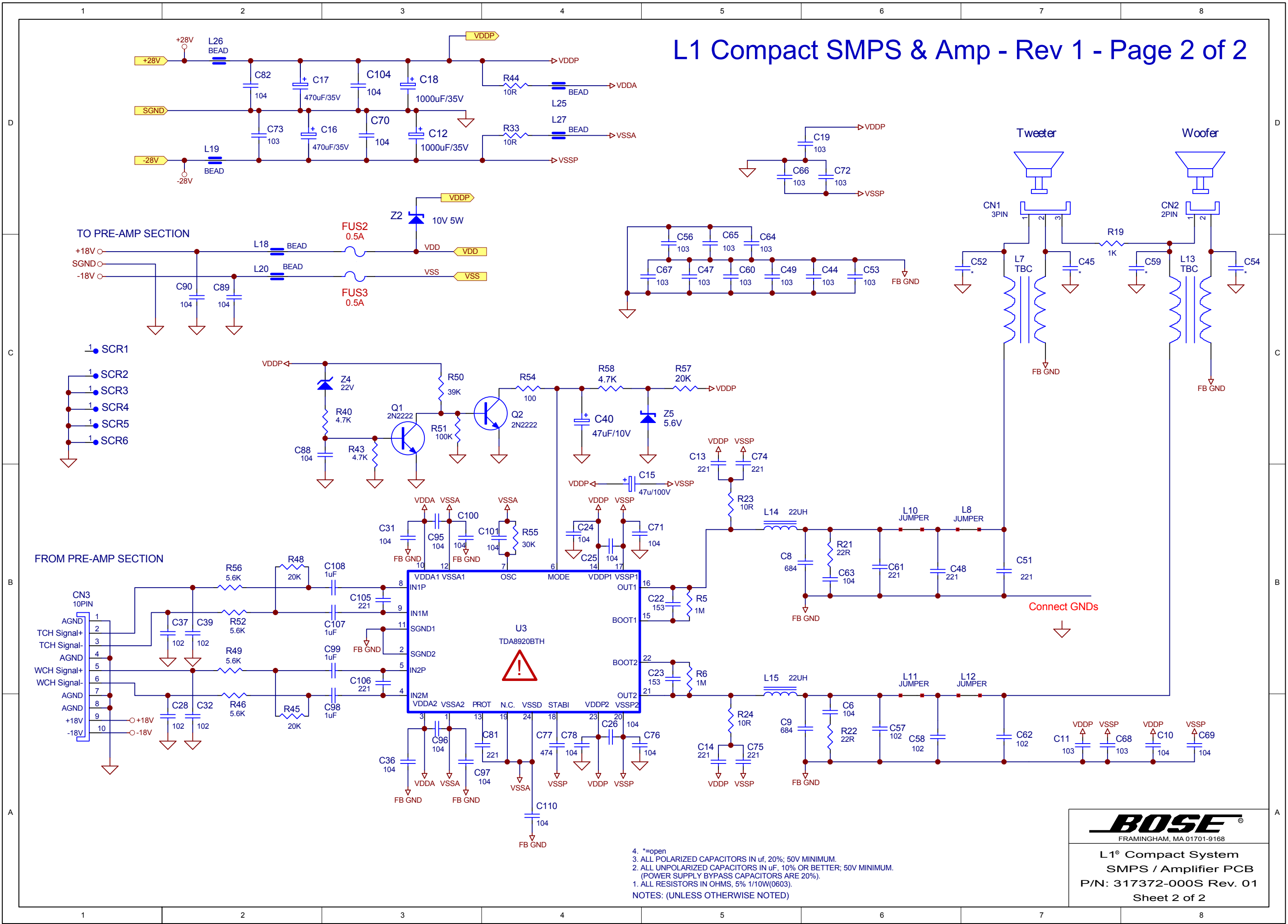
- +28V
- SGND
- 28V
- VDDP
- VDD
- VSS

AC Input from IEC outlet and AC Power Switch

**BOSE**  
FRAMINGHAM, MA 01701-9168

L1® Compact System  
SMPS / Amplifier PCB  
P/N: 317372-000S Rev. 01  
Sheet 1 of 2

# L1 Compact SMPS & Amp - Rev 1 - Page 2 of 2

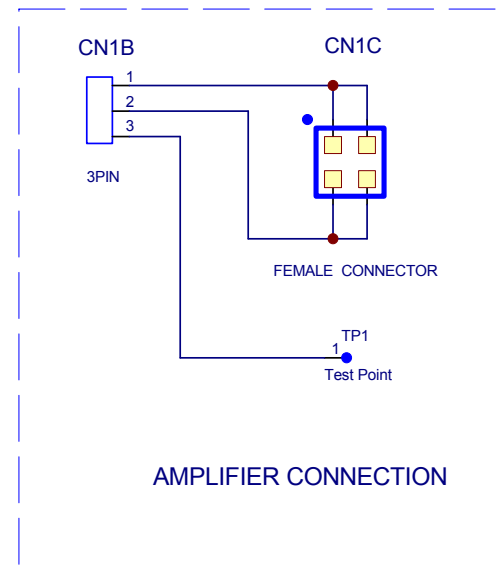


4. \*=open  
 3. ALL POLARIZED CAPACITORS IN uf, 20%; 50V MINIMUM.  
 2. ALL UNPOLARIZED CAPACITORS IN uF, 10% OR BETTER; 50V MINIMUM.  
 (POWER SUPPLY BYPASS CAPACITORS ARE 20%).  
 1. ALL RESISTORS IN OHMS, 5% 1/10W(0603).  
 NOTES: (UNLESS OTHERWISE NOTED)

**BOSE**  
 FRAMINGHAM, MA 01701-9168

**L1® Compact System**  
 SMPS / Amplifier PCB  
 P/N: 317372-000S Rev. 01  
 Sheet 2 of 2

# L1 Compact Speaker Connections



Connection with Twiddler Array in Base

