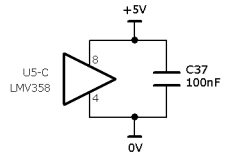
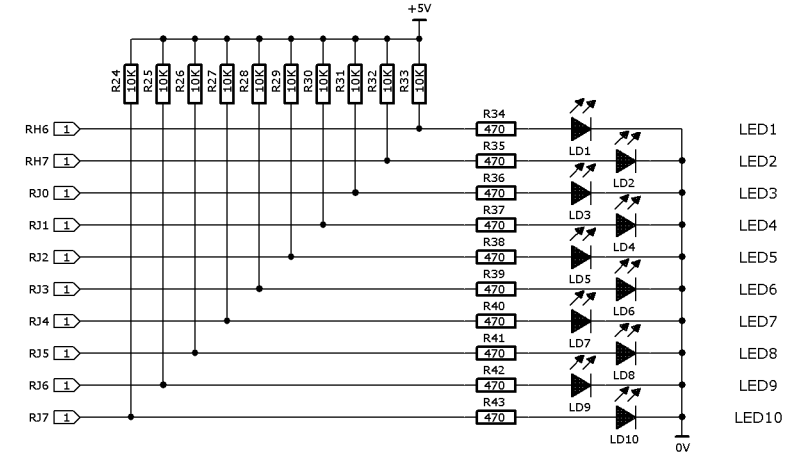
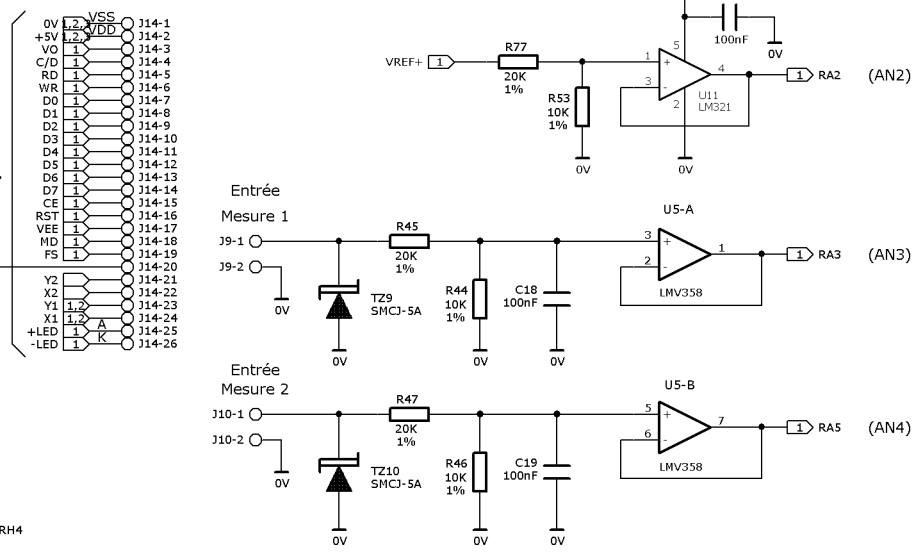
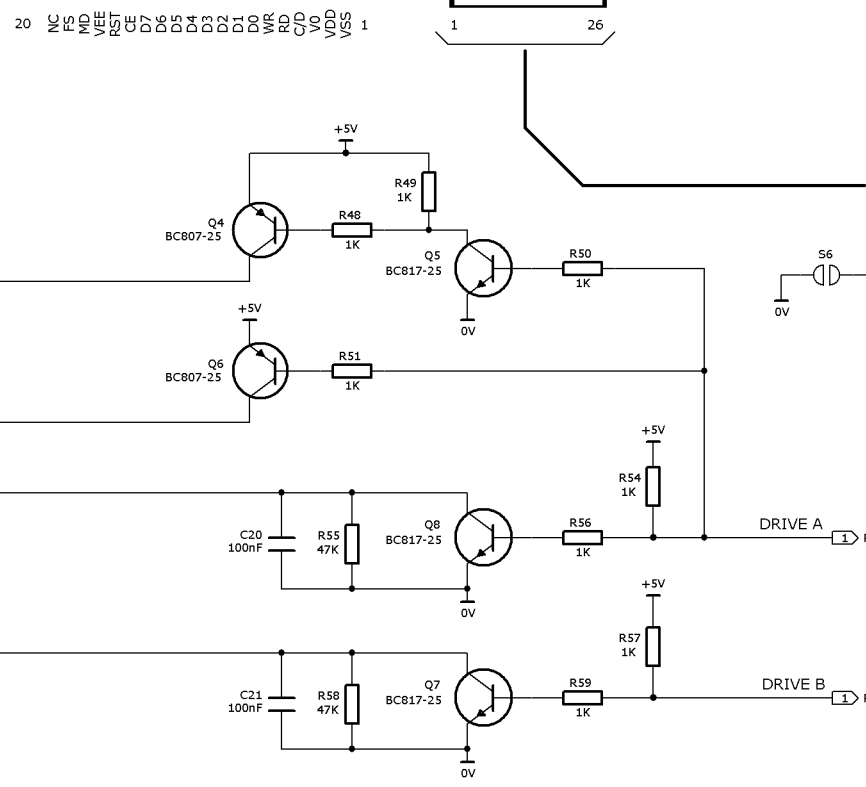
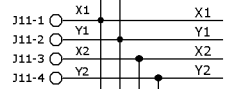
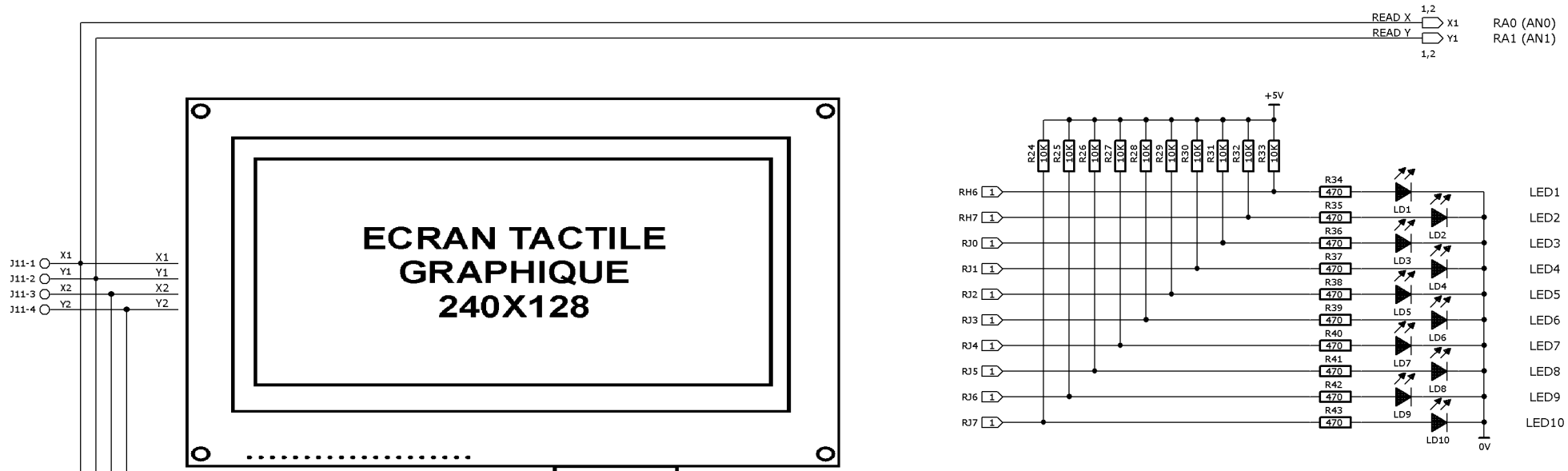
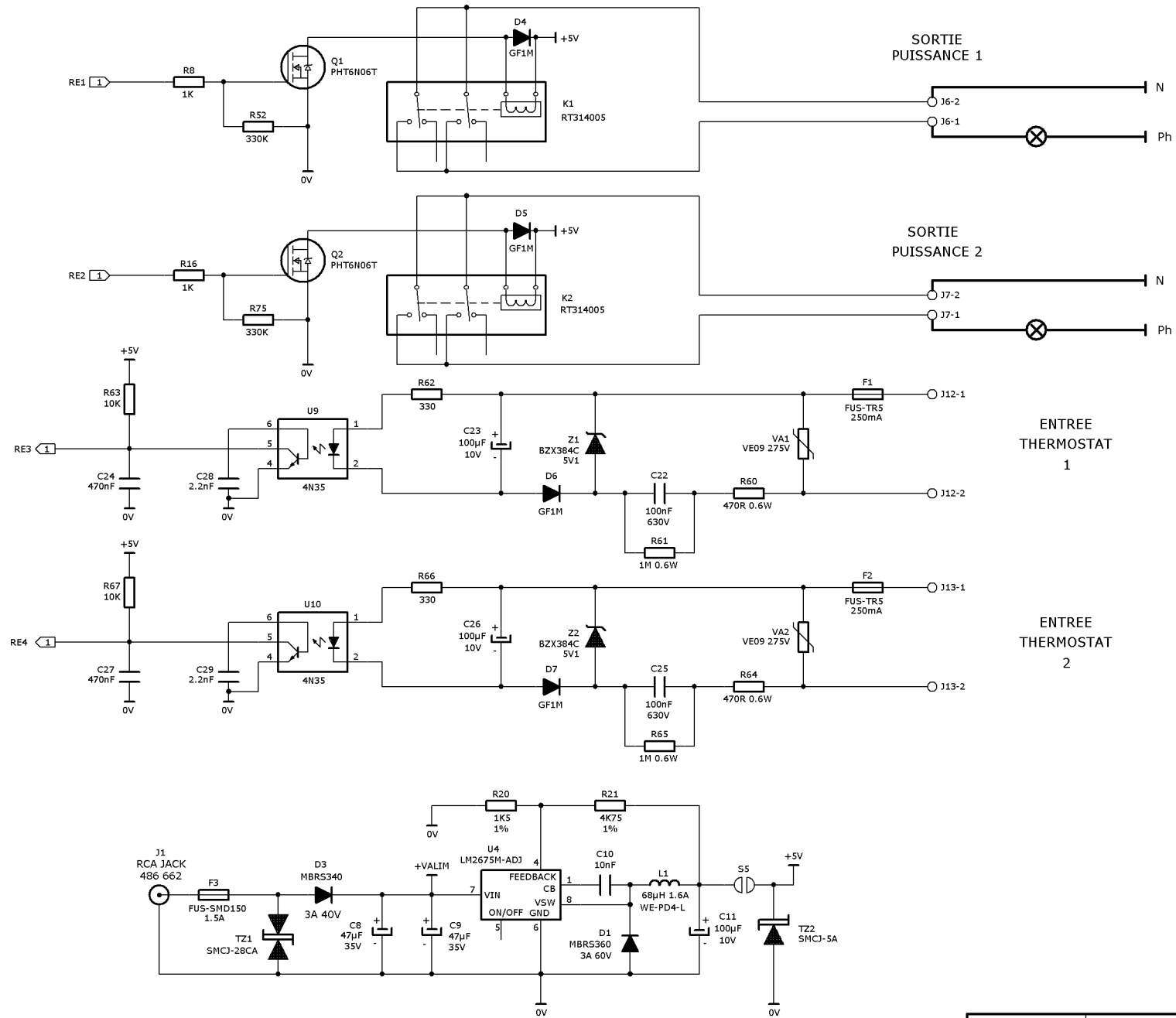


DRAWN: OS	CHECKED: JYL	REVISION No
DATED: 22-10-2008	DATED: 13-10-2008	SHEET: 1/3
ENERGY BOX V2		M2J
SCH-BE-08016		5 RUE LAMBERT Z.I. DE LA GAUDREE 91410 DOURDAN Tel 01.60.81.12.30
SCHEMA de PRINCIPLE		

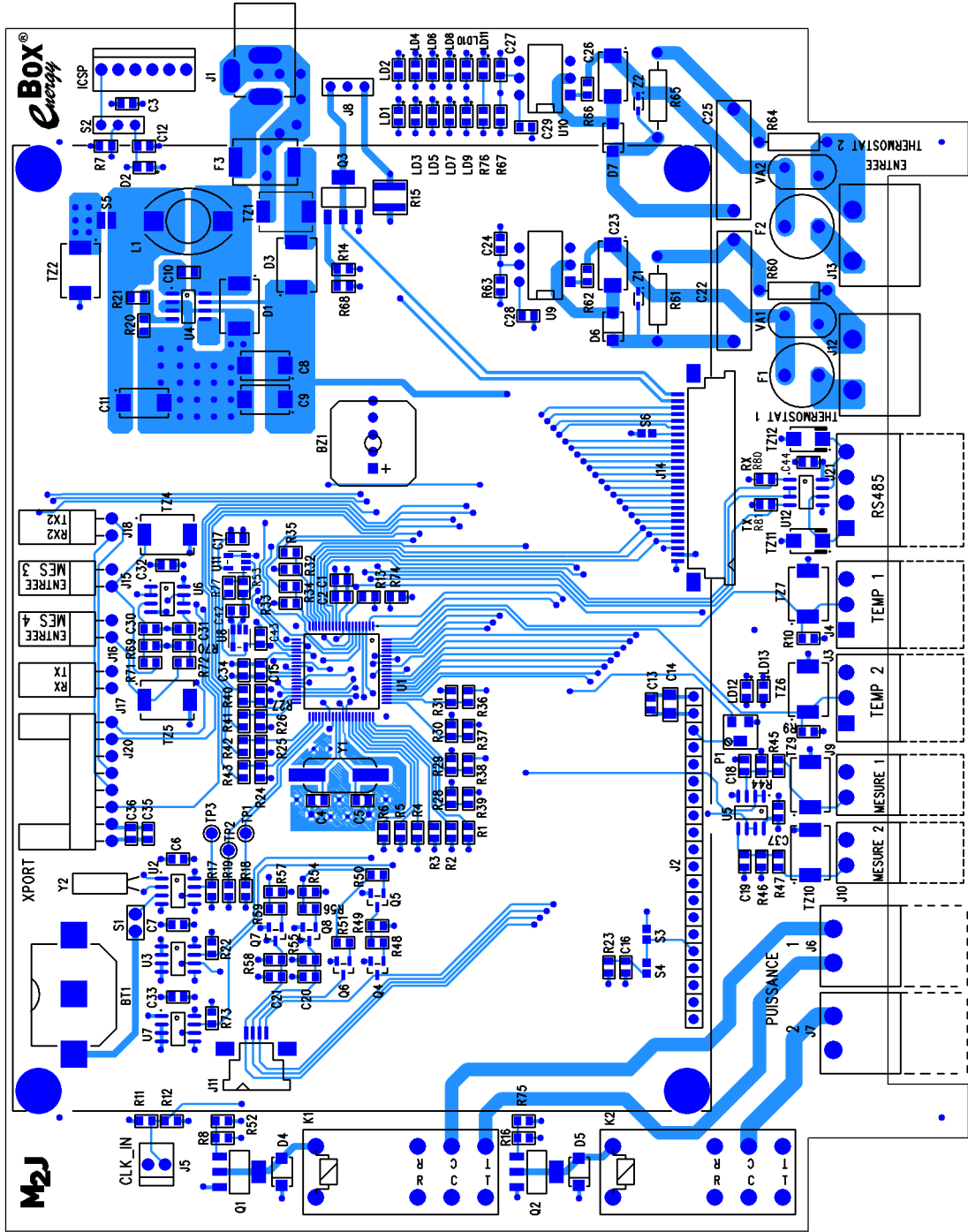


DRAWN: OS	CHECKED: JYL	REVISION No
DATED: 22-10-2008	DATED: 13-10-2008	SHEET: 2/3
ENERGY BOX V2		M2J
SCH-BE-08016		5 RUE LAMBERT Z.I. DE LA GAUDREE 91410 DOURDAN Tel 01.60.81.12.30
SCHEMA de PRINCIPLE		

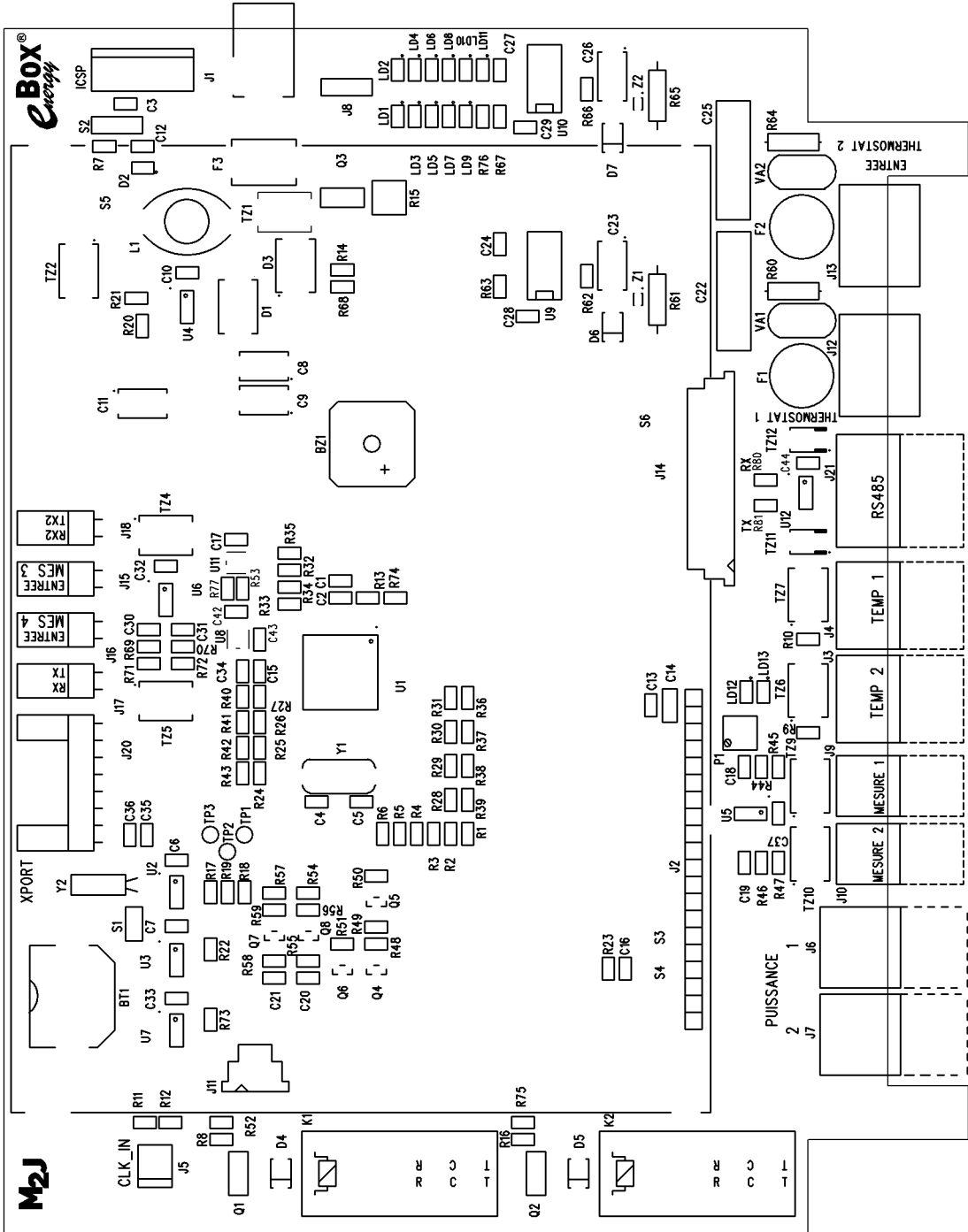


DRAWN: OS	CHECKED: JYL	REVISION No
DATED: 22-10-2008	DATED: 13-10-2008	SHEET: 3/3
ENERGY BOX V2 SCH-BE-08016		M2J 5 RUE LAMBERT Z.I. DE LA GAUDRIE 91410 DOURDAN Tel 01.60.81.12.30
SCHEMA de PRINCIPE		

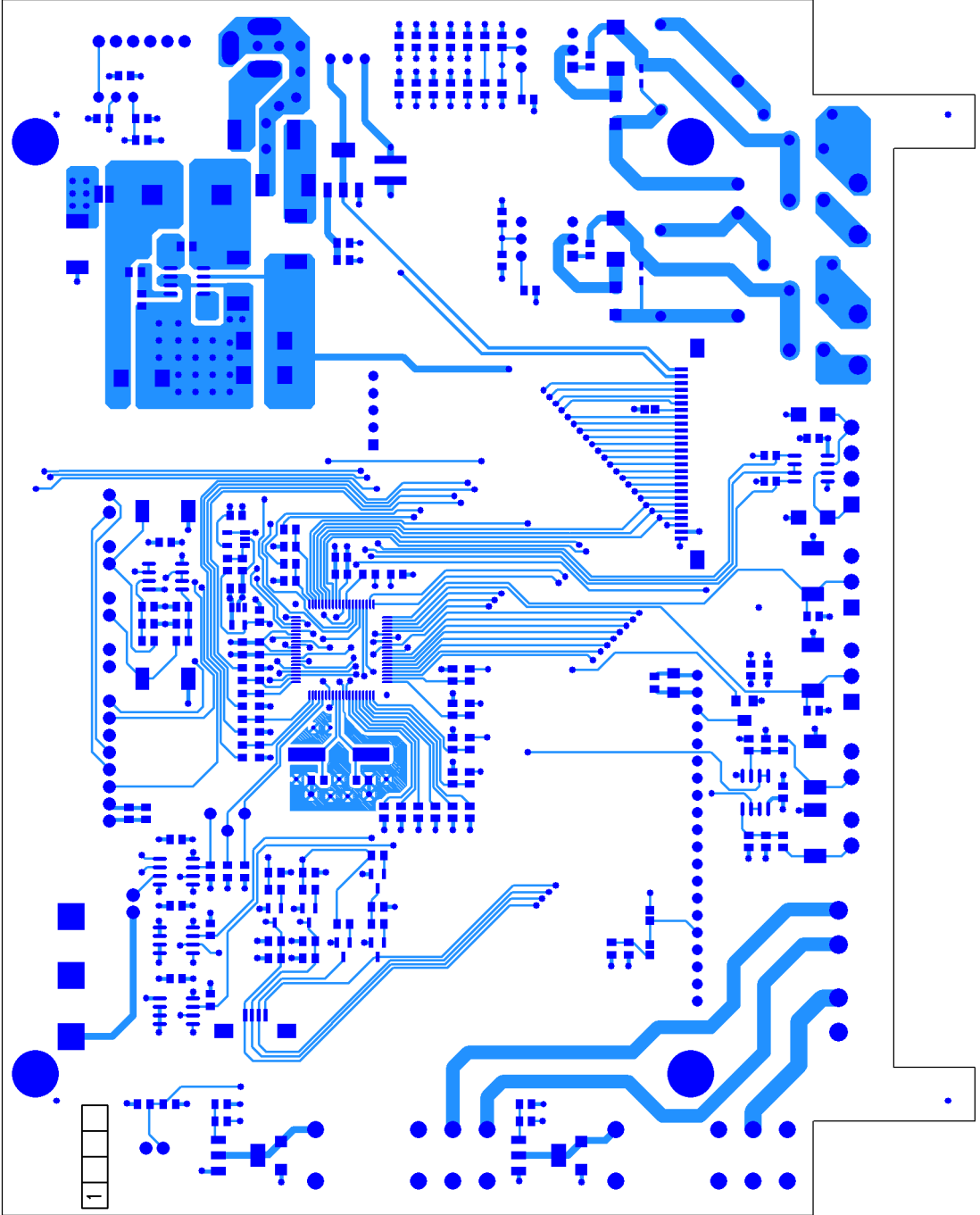
ENERGY BOX V2
SERIGRAPHIE ELEMENTS



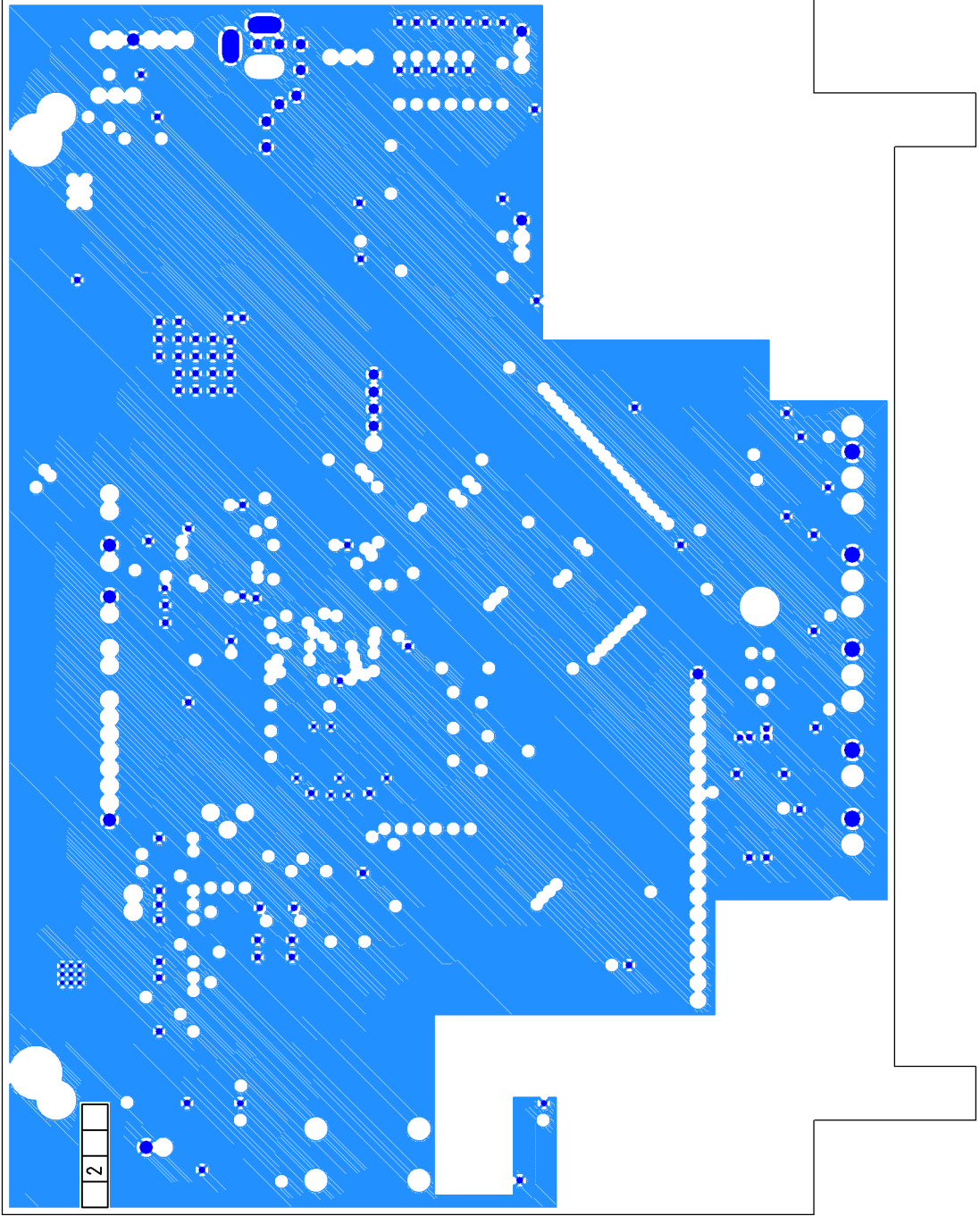
ENERGY BOX V2
SERIGRAPHIE ELEMENTS



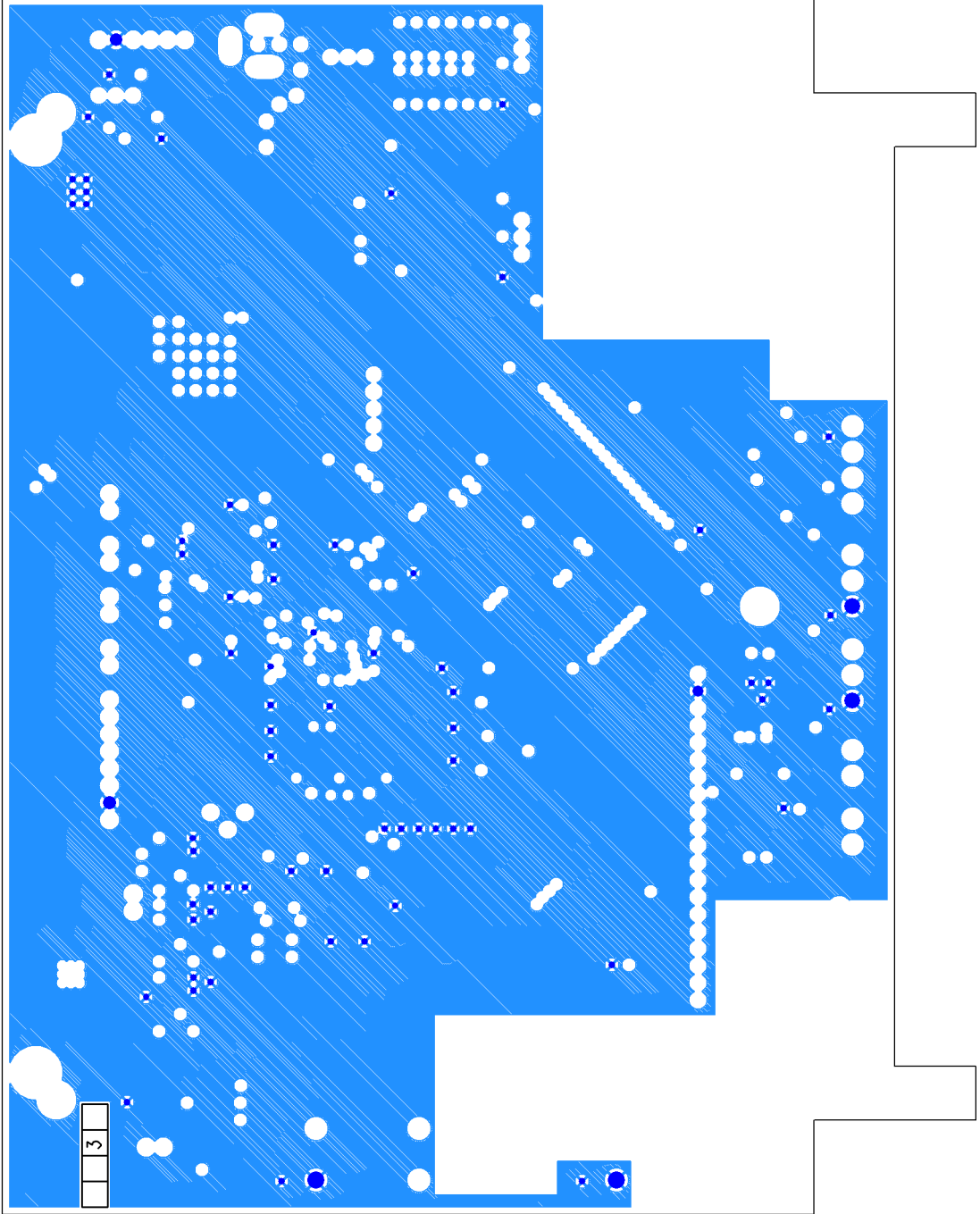
ENERGY BOX V2
FACE ELEMENTS



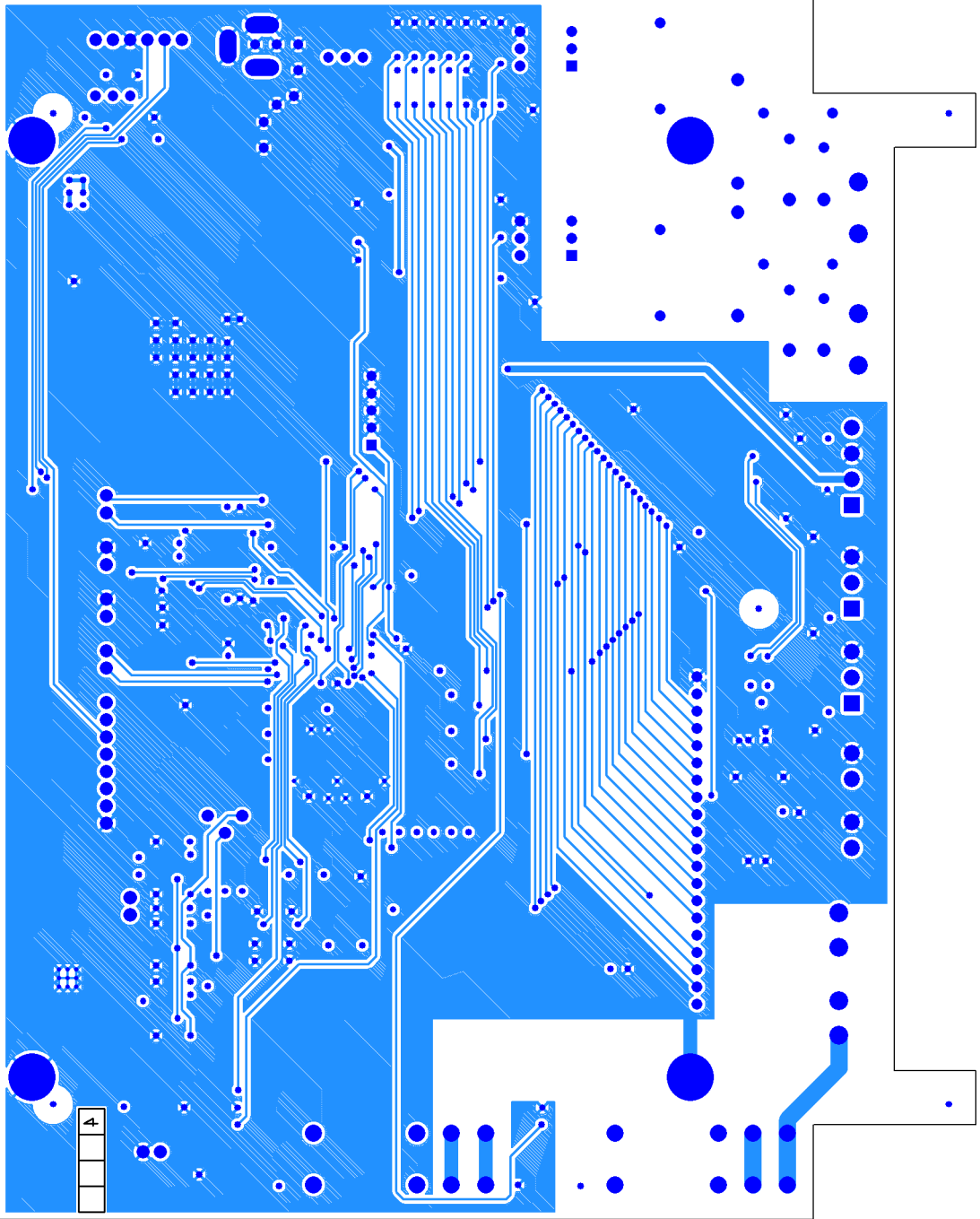
ENERGY BOX V2
FACE INTERNE 2 -0V-

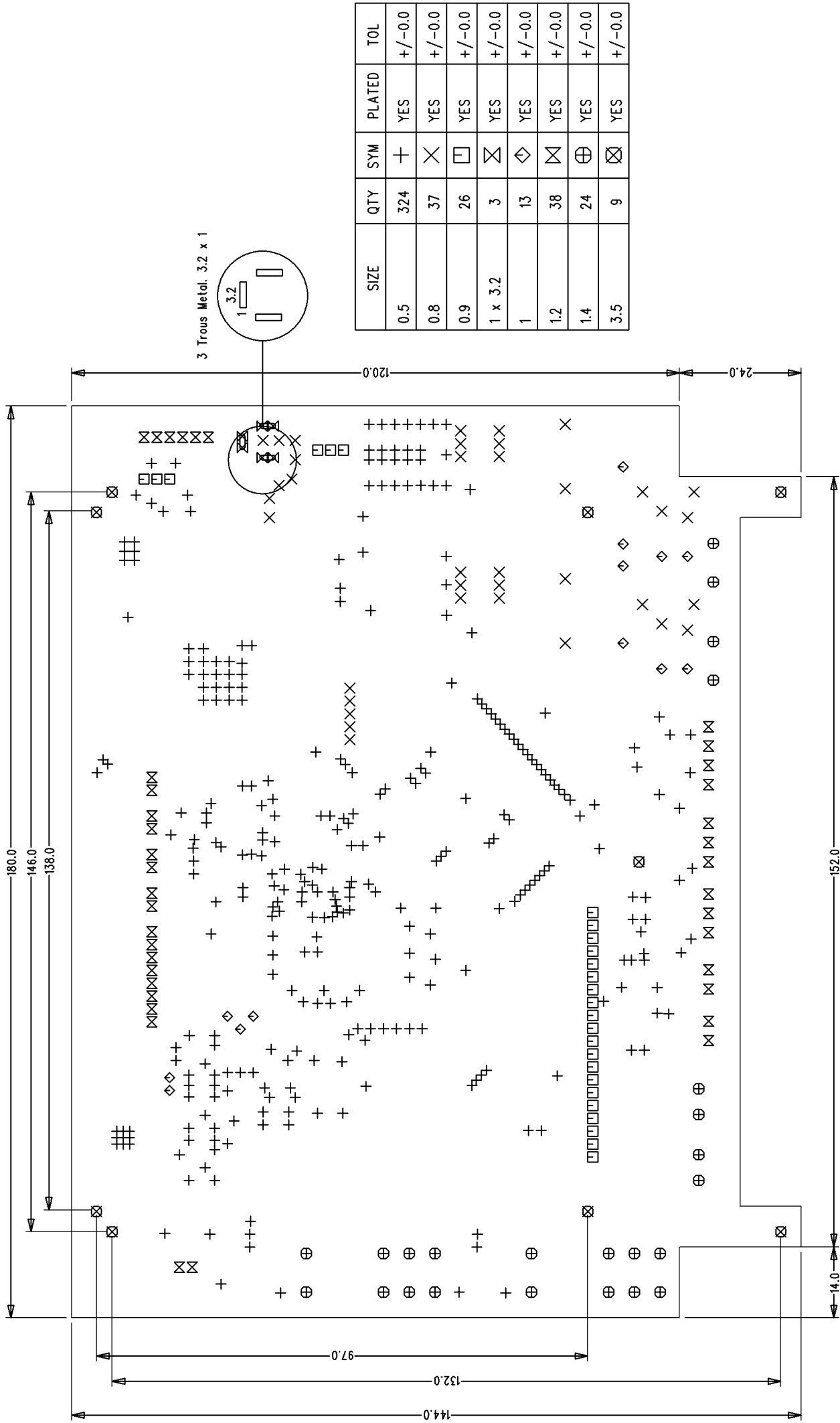


ENERGY BOX V2
FACE INTERNE 3 +5V

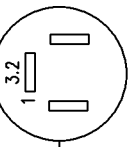


LEVCE 2000URE2
ENERGY BOX V3





3 Troues Metal. 3.2 x 1



SIZE	QTY	SYM	PLATED	TOL
0.5	324	+	YES	+/-0.0
0.8	37	x	YES	+/-0.0
0.9	26	□	YES	+/-0.0
1 x 3.2	3	◇	YES	+/-0.0
1	13	◇	YES	+/-0.0
1.2	38	□x	YES	+/-0.0
1.4	24	⊕	YES	+/-0.0
3.5	9	⊗	YES	+/-0.0