

1

2

3

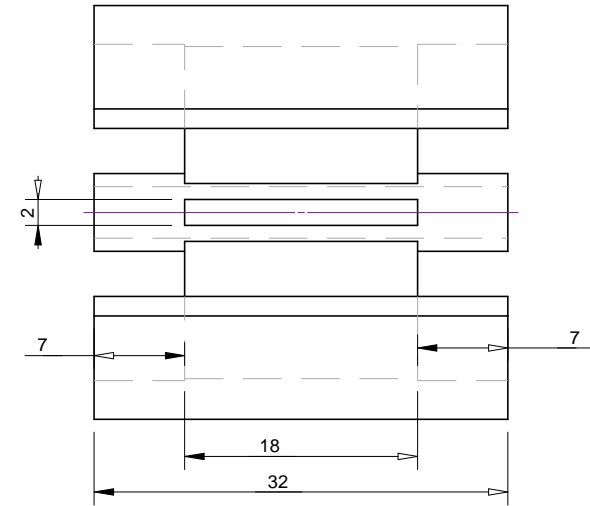
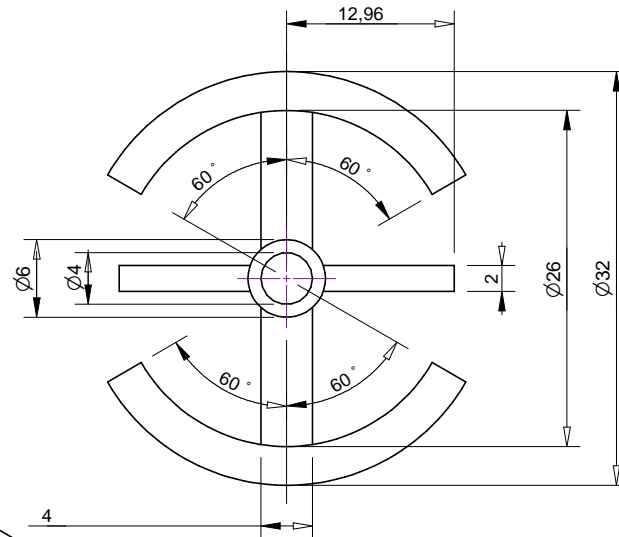
4

5

6

RevNo	Revision note	Date	Signature	Checked
-------	---------------	------	-----------	---------

A



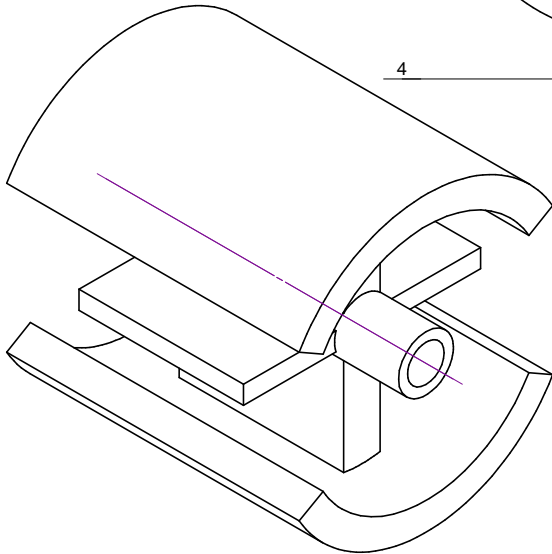
A

B

B

C

C



D

D

Itemref	Quantity	Title/Name, designation, material, dimension etc			Article No./Reference	
Drawn by		Checked by	Approved by - date	File name	Date	Scale
				Edition	Sheet	

1

2

3

6