

PROTEZIONE CORRE / MANTORI PRESENTE
MANUALI INCLUSA

SVIAPPAMENTO
START
STOP
LUBRIFICAZIONE OIL
RECETTATORE
STOP

RECETTATORE
STOP

START

STOP

STOP

STOP

STOP

STOP

START

STOP

STOP

STOP

STOP

STOP

STOP

STOP

STOP

STOP

STOP

STOP

STOP

STOP

STOP

STOP

STOP

STOP

STOP

STOP

STOP

STOP

STOP

STOP

STOP

STOP

STOP

STOP

STOP

STOP

STOP

STOP

STOP

STOP

STOP

STOP

STOP

STOP

STOP

STOP

STOP

STOP

STOP

STOP

STOP

STOP

STOP

STOP

STOP

STOP

STOP

STOP

STOP

STOP

STOP

STOP

STOP

STOP

STOP

STOP

STOP

STOP

STOP

STOP

STOP

STOP

STOP

STOP

STOP

STOP

STOP

STOP

STOP

STOP

STOP

STOP

STOP

STOP

STOP

STOP

STOP

STOP

STOP

STOP

STOP

STOP

STOP

STOP

STOP

STOP

STOP

STOP

STOP

STOP

STOP

STOP

STOP

STOP

STOP

STOP

STOP

STOP

STOP

STOP

STOP

STOP

STOP

STOP

STOP

STOP

STOP

STOP

STOP

STOP

STOP

STOP

STOP

STOP

STOP

STOP

STOP

STOP

STOP

STOP

STOP

STOP

STOP

STOP

STOP

STOP

STOP

STOP

STOP

STOP

STOP

STOP

STOP

STOP

STOP

STOP

STOP

STOP

STOP

STOP

STOP

STOP

STOP

STOP

STOP

STOP

STOP

STOP

STOP

STOP

STOP

STOP

STOP

STOP

STOP

STOP

STOP

STOP

STOP

STOP

STOP

STOP

STOP

STOP

STOP

STOP

STOP

STOP

STOP

STOP

STOP

STOP

STOP

STOP

STOP

STOP

STOP

STOP

STOP

STOP

STOP

STOP

STOP

STOP

STOP

STOP

STOP

STOP

STOP

STOP

STOP

STOP

STOP

STOP

STOP

STOP

STOP

STOP

STOP

STOP

STOP

STOP

STOP

STOP

STOP

STOP

STOP

STOP

STOP

STOP

STOP

STOP

STOP

STOP

STOP

STOP

STOP

STOP

STOP

STOP

STOP

STOP

STOP

STOP

STOP

STOP

STOP

STOP

STOP

STOP

STOP

STOP

STOP

STOP

STOP

STOP

STOP

STOP

STOP

STOP

STOP

STOP

STOP

STOP

STOP

STOP

STOP

STOP

STOP

STOP

STOP

STOP

STOP

STOP

STOP

STOP

STOP

STOP

STOP

STOP

STOP

STOP

STOP

STOP

STOP

STOP

STOP

STOP

STOP

STOP

STOP

STOP

STOP

STOP

STOP

STOP

STOP

STOP

STOP

STOP

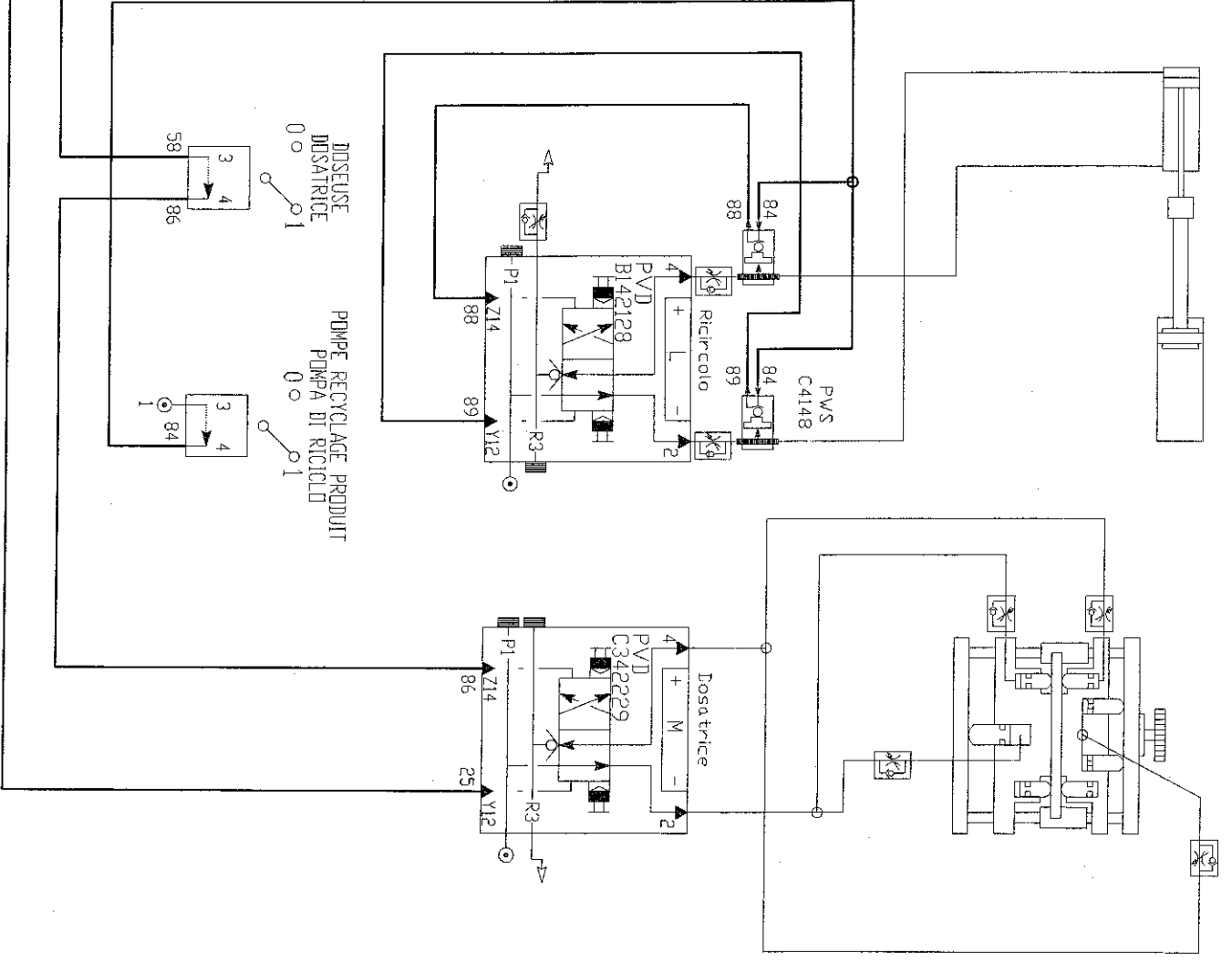
STOP

STOP

STOP

STOP

STOP

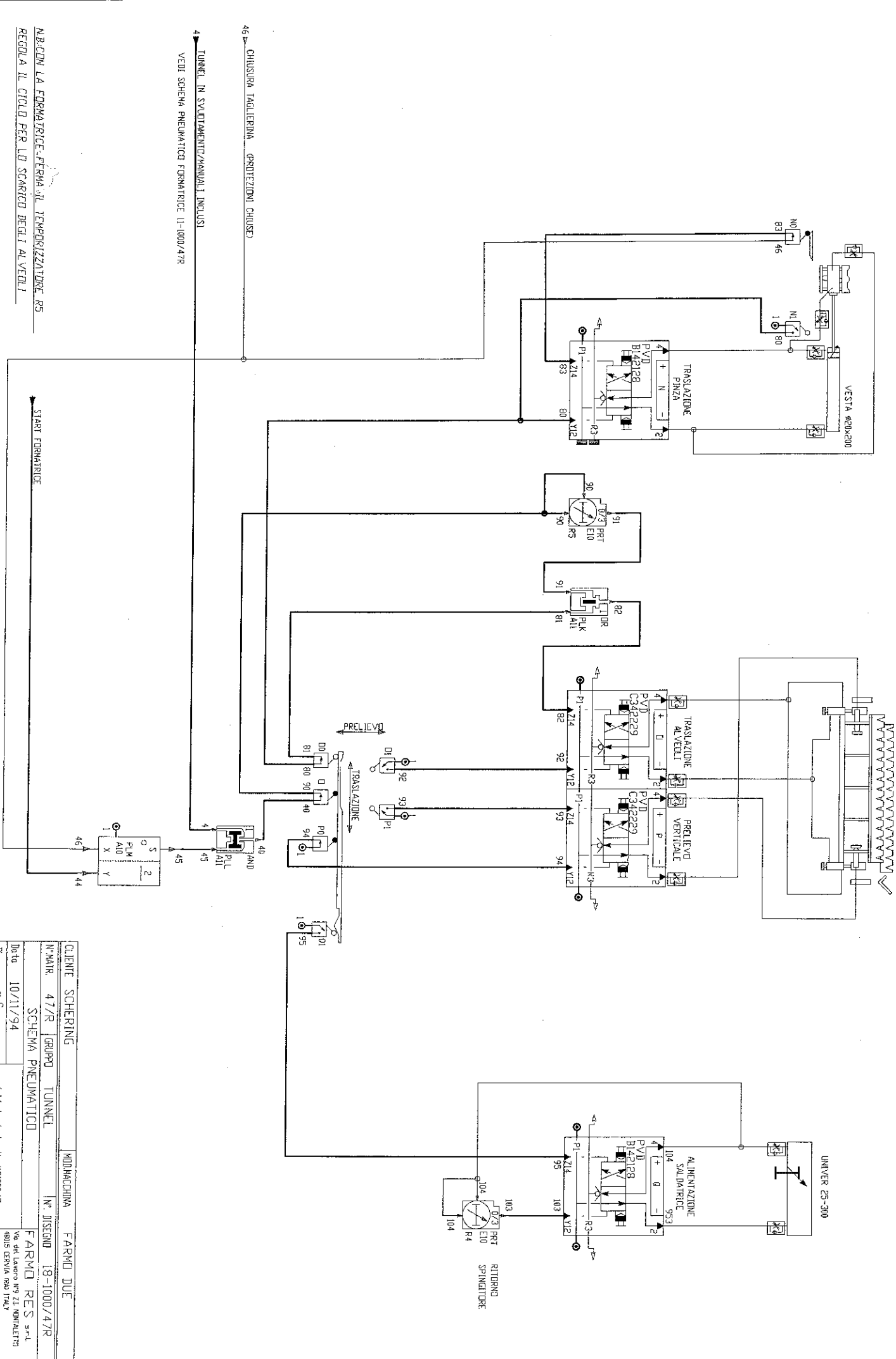


11-1000/47R
58 25

DISTRIBUTEUR
L=POMPE RECYCLAGE PRODUIT
M=DOSSEUSE
Y=COUVERCLE RESERVOIR

DISTRIBUITORI
L=POMPA DI RICICLO
M=DOSATRICE
Y=CDPERCHIO SERBATOIO

CLIENTE	SCHERING	MODMACCHINA	FARMO DUE
N° MATR.	47/R	GRUPPO	POMPA DOSATRICE
SCHEMA PNEUMATICO			
Data	10/11/94		
Disegn.	/ml/cduv/sche-fo/131000.47r		
FARMO RES s.r.l.		13-1000/47R	
Via del Lavoro 109 21 MONFALCONE			
48015 CERVIJA (RN) ITALY			
Tel. 0544/955388 C. Postale 113			



CLIENTE	SCHERING	MOD. MACCHINA	FARMO DUE
N° MATR.	47/R	GRUPPO	TUNNEL
	SCHEMA PNEUMATICO		
Data	10/11/94		
Disegn.	m. f.		
		/w/cduw/scer-hta/18100047r	
		FARMO RES s.r.l.	
		Via del Lavoro n° 21 MONALETTI	
		48015 CERVA (66) ITALY	
		Tel. 0544/95396 C. Postale 113	

