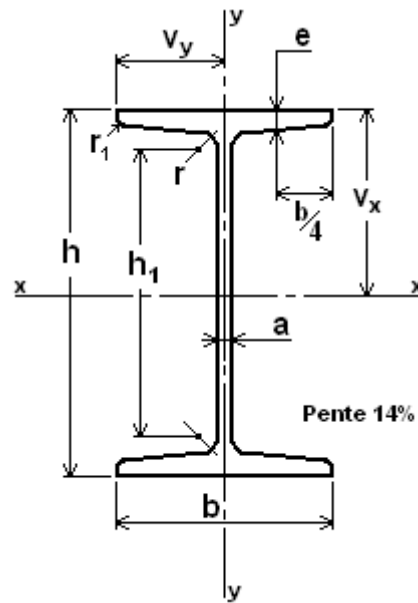


IPN 120



Caractéristiques de la section

$$h = 120 \text{ mm}$$

$$b = 70 \text{ mm}$$

$$e = 7.7 \text{ mm}$$

$$a = 9 \text{ mm}$$

$$r = 5.1 \text{ mm}$$

$$h_1 = 92 \text{ mm}$$

$$I_x = 3260000 \text{ mm}^4$$

$$I_y = 215000 \text{ mm}^4$$

$$J = 27800 \text{ mm}^4$$

$$I_x/V_x = 54333 \text{ mm}^3$$

$$I_y/V_y = 7414 \text{ mm}^3$$

$$\text{Aire} = 1420 \text{ mm}^2$$