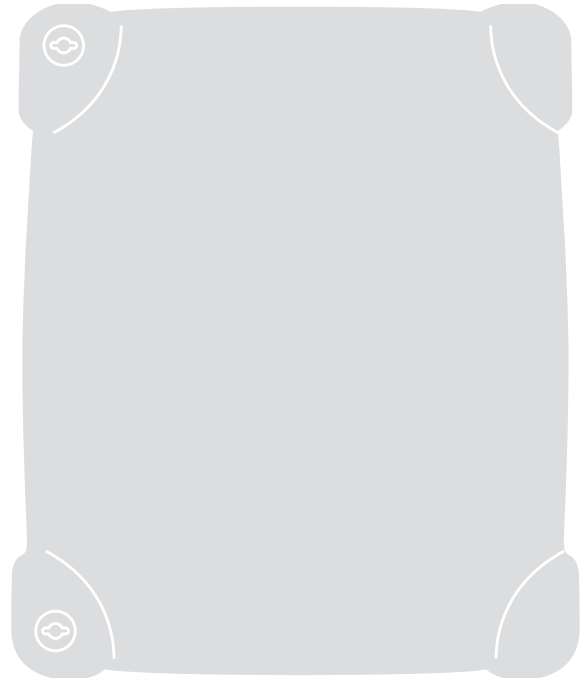


Mindy

Control unit

CE

A6 - A6F
A700F



Instructions and warnings for the fitter
Istruzioni ed avvertenze per l'installatore
Instructions et recommandations pour l'installateur
Anweisungen und Hinweise für den Installateur
Instrucciones y advertencias para el instalador
Instrukcje i uwagi dla instalatora
Aanwijzingen en aanbevelingen voor de installateur

Mindy

A6 - A6F A700F

Index:	page				
1	Warnings	3	5	Programming:	9
2	Product description and applications	4	5.1	Programmable functions:	10
2.1	Operating limits	5	5.2	Description of the functions:	10
2.2	Typical system	5	6	Testing	12
2.3	List of cables	5	6.1	Commissioning	13
3	Installation	6	7	Maintenance and Disposal	13
3.1	Preliminary checks	6	7.1	Maintenance	13
3.2	Fixing the control unit	6	7.2	Disposal	14
3.3	Diagram of the connections:	6	8	Accessories	14
3.4	Description of the connections:	7	9	Technical characteristics	14
3.5	Notes about connections:	8			
4	Adjustments:	8			
4.1	Functioning modes:	9			

1) Warnings

This manual contains important information regarding safety. Before starting installation of the components, it is important that you read all the information contained herein. Store this manual safely for future use.

Due to the dangers which may arise during both the installation and use, installation must be carried out in full observance of the laws, provisions and rules currently in force to ensure maximum safety.

This chapter provides details of general warnings. Other more specific warnings are detailed in Chapters "3.2 Preliminary Checks" and "6 Testing and Commissioning".

⚠ According to the most recent European legislation, the automation of doors or gates is governed by the provisions listed in Directive 98/37/CE (Machine Directive) and, more specifically the standards: EN 13241-1 (harmonised standard); EN 12445; EN 12453 and EN 12635, which enables the declaration of machine conformity to the machine directive.

Visit "www.niceforyou.com" for further information and guidelines for risk analysis and how to draw up the Technical Documentation. This manual has been especially written for use by qualified fitters. Except for the enclosed specification "Instructions and Warnings for Users" to be removed by the installer, none of the information provided in this manual can be considered as being of interest to the end users!

- Any use or operation not explicitly provided for in these instructions is not permitted. Improper use may cause damage and personal injury.
- A risk analysis must be carried out before starting installation, including a the list of essential safety requisites provided for in Enclosure I of the Machine Directive, indicating the relative solutions employed. N.B. Risk analysis is one of the documents included in the "Technical Documentation" for this automation.
- Check whether additional devices are needed to complete the automation based on the specific application requirements and dangers present. The following risks must be considered: impact, crushing, shearing, dragging, etc. as well as other general dangers.
- Do not modify any components unless such action is specified in this manual. Operations of this type are likely to lead to malfunctions. NICE disclaims any liability for damage resulting from modified products.
- During installation and use, ensure that solid objects or liquids do not penetrate the control unit or other open devices. If necessary, contact the NICE customer service department; use in these conditions can be dangerous.
- The automation system must not be used until it has been commissioned as described in chapter 6 "Testing and commissioning".
- The packaging materials must be disposed of in compliance with local regulations.
- If a fault occurs that cannot be solved using the information provided in this manual, contact the NICE customer service department.
- In the event that any automatic switches are tripped or fuses blown, attempt to identify and eliminate the relative fault.
- Disconnect all the power supply circuits before accessing the terminals inside the cover. If the disconnection device is not identifiable, affix the following sign: "WARNING: MAINTENANCE WORK IN PROGRESS".

Special warnings concerning the suitable use of this product in relation to the 98/37/CE "Machine Directive" (ex 89/392/CEE):

- This product is issued on the market as a "machine component" and is therefore manufactured to be integrated in a machine or assembled with other machines in order to create "a machine", in accordance with the directive 98/37/EC, exclusively in combination with other components and in the manner described in the present instructions manual. As specified in the directive 98/37/CE the use of this product is not admitted until the manufacturer of the machine on which this product is mounted has identified and declared it as conforming to the directive 98/37/CE.

Special warnings concerning suitable use of this product in relation to the 73/23/EEC "Low Voltage" Directive and subsequent amendments 93/68/CEE:

- This product complies with the provisions envisaged by the "Low Voltage" Directive if used in the configurations foreseen in this instruction manual and in combination with the articles present in the Nice S.p.a. product catalogue. If the product is not used in the specified configurations or is used with other products that have not been foreseen, the requirements may not be guaranteed; use of the product is prohibited in these conditions until compliance with the requirements foreseen by the directive has been verified by installers.

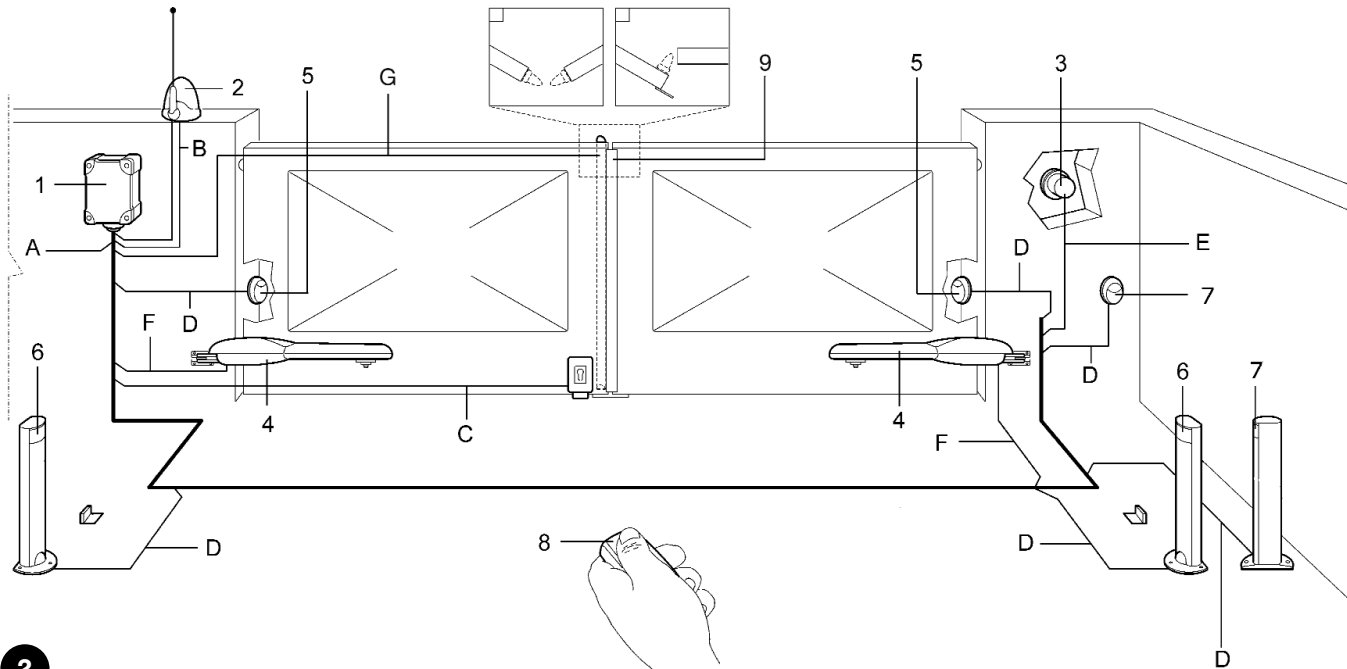
Special warnings concerning suitable use of this product in relation to the 89/336/EEC "Electromagnetic Compatibility" Directive and subsequent amendments 92/31/EEC and 93/68/EEC:

- This product has undergone tests regarding electromagnetic compatibility in the most critical of use conditions, in the configurations foreseen in this instruction manual and in combination with articles present in the Nice S.p.A. product catalogue. Electromagnetic compatibility may not be guaranteed if used in configurations or with other products that have not been foreseen; use of the product is prohibited in these conditions until compliance with the requirements foreseen by the directive has been verified by installers.

2.1) Operating limits

Chapter 9 "Technical Characteristics" provides the only data needed to determine whether the products are suitable for the intended application.

2.2) Typical system



2

- 1. Control Unit
- 2. Flashing light with incorporated aerial
- 3. Key-operated selector switch
- 4. Motors
- 5. Couple of photoelectric cells PHOTO
- 6. Couple of photoelectric cells PHOTO 1
- 7. Couple of photoelectric cells PHOTO 2
- 8. Radio transmitter
- 9. Sensitive edge

NOTE: This diagram only shows a possible application of the unit and should be considered merely as an example. Only an in-depth analysis of the risks of the "Machine" gate and a proper evaluation of the end user requirements will be able to establish how many and which elements must be installed.

2.3) List of cables

The typical system shown in figure 2 also states the cables required for connection of the various devices, the specifications of which are provided in table 1.

⚠ The cables used must be suitable for the type of installation; for example, an H03VV-F type cable is recommended for indoor applications, while H07RN-F is suitable for outdoor applications.

Table 1: List of cables		
Connection	Cable type	Maximum admissible length
A: Electrical power line	N°1 cable 3x1,5mm ²	30m (note 1)
B: Flashing light with aerial	N°1 cable 2x0,5mm ²	20m
	N°1 shielded cable type RG58	20m (less than 5m recommended)
C: Electric lock	N°1 cable 2x1mm ²	20m
D: Photocells	N°1 cable 2x0,25mm ² (Tx)	30m
	N°1 cable 4x0,25mm ² (Rx)	30m
E: Key-operated selector switch	N°1 cable 4x0,25mm ²	30m
F: Connection to the motors.	N°1 cable 4x1,5mm ²	10m
G: Connection to sensitive edge	N°1 cable 2x0,25mm ²	30m

Note 1: power supply cable longer than 30 m may be used provided it has a larger gauge, e.g. 3x2,5mm², and that a safety earthing system is provided near the automation unit.

3) Installation

⚠ The installation must be carried out by qualified personnel in compliance with current legislation, standards and regulations, and the directions provided in this manual.

3.1) Preliminary checks

Before proceeding with the installation:

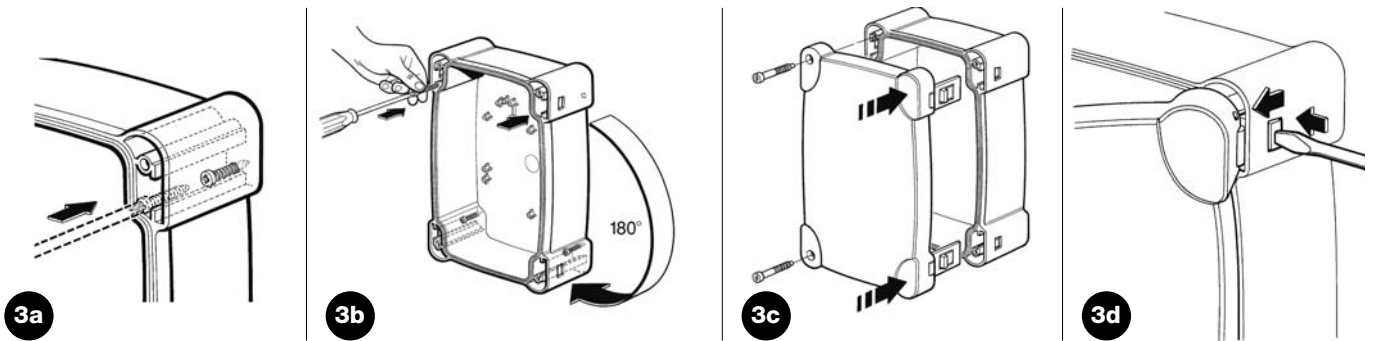
- Check that all the materials are in excellent condition, suitable for use and compliant with current standards.
 - Ensure that the structure of the gate is suitable for automation.
 - Ensure that the mounting positions of the various devices are protected from impact and that the mounting surfaces are sufficiently sturdy.
 - Install cable or pipe leads only at the bottom of the unit; for no reason whatsoever must the side and top walls be perforated. The cables must only enter the unit from the bottom!
 - Components must never be immersed in water or other liquids.
 - Keep away from heat sources and open flames; in acid, saline or potentially explosive atmosphere; this could damage A6 – A6F – A700F and cause malfunctions or hazardous situations.
- If there is an access door in the leaf, or within the range of movement of the gate, make sure that it does not obstruct normal travel. Mount a suitable interlock system if necessary.
 - Only connect the control unit to a power supply line equipped with a safety grounding system.
 - The power supply line must be protected by suitable magnetothermal and differential switches.
 - A disconnection device must be inserted in the power supply line from the electrical mains (the distance between the contacts must be at least 3.5 mm with an overvoltage category of III) or equivalent system, for example an outlet and relative plug. If the disconnection device for the power supply is not mounted near the automation, it must have a locking system to prevent unintentional, unauthorised connection.

3.2) Fixing the control unit

Insert the two screws in the upper holes provided, sliding them on the guide as in fig. 3a and partly screwing them in. Turn the control unit through 180° and perform the same operation with the other 2 screws. Fix the control unit on to the wall.

Fix the cover on the desired part (with opening on the right or left), press firmly on the arrows.

To remove the cover, press with a screwdriver on the join and push upwards at the same time.



3.3) Diagram of the connections

Once the unit, the actuators, the control (key selector or push button panel) and safety (emergency stop, photoelectric cells, sensitive edges and flashing light) elements have been installed, you can now do the wiring, following the instructions given below.

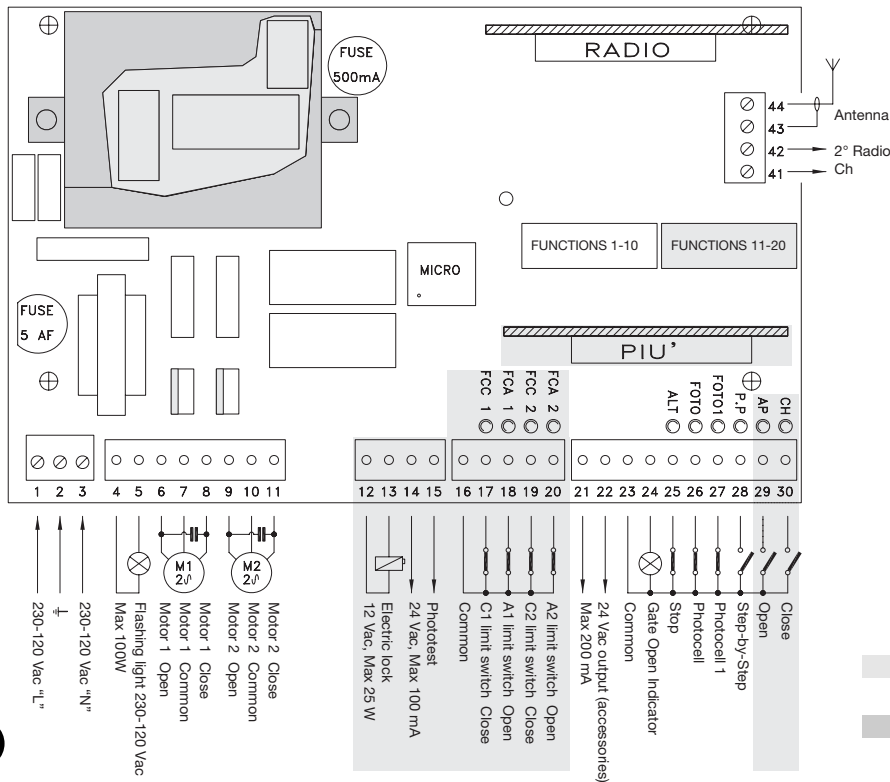
⚠ To safeguard the operator and avoid damaging the components while you are wiring, whether it is low voltage (230 -120Vac) or extra low voltage (24 V) or if you are plugging in the various cards:

The unit must, under no circumstances, be electrically powered.

We also wish to remind you that if the inputs of the NC (Normally Closed) contacts are not used they should be jumpered; if there is more than one then they should be placed in SERIES with one another; if the inputs of the NO (Normally Open) contacts are not used they should be left free and if there is more than one then they should be placed in PARALLEL with one another. The contacts must be of the mechanical type and free from any potential; no connections are allowed like those defined as “PNP”, “NPN”, “Open Collector” etc., etc.

Carry out the necessary connections, following the diagram in Fig. 4 and the following description of the connections.

⚠ Remember that there are specific standards that must be complied with both as regards the safety of the electrical systems and as regards automatic gates



■ The highlighted part is only found on the **A700F** version.

■ The highlighted part is found on the **A6F** and **A700F** versions.

4

3.4) Description of the connections

Here is a brief description of the possible connections of the unit to the outside:

- 1...3** : 230 - 120 Vac
- 4-5** : Flashing light = Output for connection to the 230 -120 Vac flashing light, maximum lamp power 100 W
- 6...8** : Motor 1 = Output for connection to the 1st motor 230 - 120 Vac
- 9...11** : Motor 2 = Output for connection to the 2nd motor 230 - 120 Vac

Note: Motors 1 and 2 only differ in the start delay; the 1st motor is connected to the opening delay time "TRA" while the 2nd motor is connected to the closing delay time "TRC". If the delays are unnecessary there is no difference between the motors.

The following terminals are found only on the **A700F** and **A6F** version:

- 12-13** : Electric lock = 12 Vac output to activate the electric lock, 25 W maximum power

You will find the following terminals only on the **A700F** version:

- 14-15** : Phototest = 24 Vac output to feed photoelectric cell transmitters, 100 mA max.
- 16** : Common = Common for limit switch inputs (same as the other common, terminal 23)
- 17** : C1 limit switch = Close limit switch input for motor 1
- 18** : A1 limit switch = Open limit switch input for motor 1
- 19** : C2 limit switch = Close limit switch input for motor 2
- 20** : A2 limit switch = Open limit switch input for motor 2
- 21-22** : 24 Vac = 24 Vac output to feed accessories (Photocell, Radio, etc.) 200 mA max.
- 23** : Common = Common for all inputs (terminal 22 can also be used as Common)
- 24** : Gate Open Indicator = 24 Vac output for gate open indicator, 2 W max. indicator power
- 25** : Stop = Input with STOP function (Emergency, shutdown or extreme safety)
- 26** : Photocell = Input for safety devices (photoelectric cells, pneumatic edges)
- 27** : Photocell 1 = Input for another safety device (photoelectric cells, pneumatic edges)
- 28** : Step-by-Step = Input for cyclic functioning (OPEN STOP CLOSE STOP)

You will find the following terminals only on the **A700F** version:

- 29** : Open = Input for opening (it can be controlled by a timer)
- 30** : Close = Input for closing
- 41-42** : 2° Radio Ch = Output for the second radio receiver channel if there is one
- 43-44** : Antenna = Input for the radio receiver antenna

There are an additional two slots on the unit card for optional cards:
RADIO = Slot for **Nice** radio receivers
PIU' = Slot for **PIU'** expansion card (only on the **A700F** version)

We recommend waiting until installation is complete to plug in the optional cards **RADIO** or **PIU'** and only after having checked that the system is working properly. The optional cards are not necessary for the working of the system and if they are used they make troubleshooting more complex.

3.5) Notes about connections

For the most part, connections are easy; a lot of them are direct connections to a single user point or contact but some are a little more complex:

All the single-phase asynchronous motors need a capacitor for them to work properly; some gearmotors have this capacitor already connected inside while others have to have the capacitor connected externally. In this case, the capacitor must be connected between the motor's OPEN and CLOSE phases. To be more practical the capacitor should be connected directly inside the unit in the spaces left for it.

The following is applicable only to the A700F version

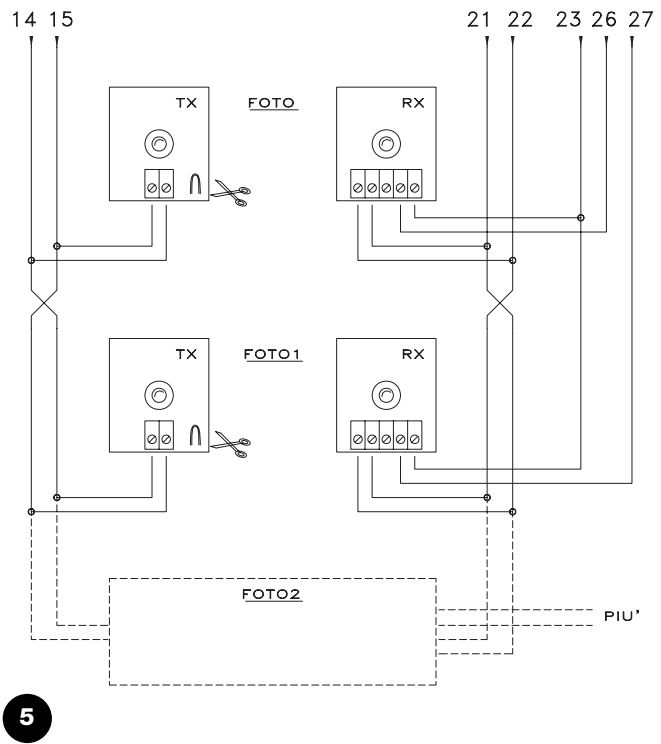
A particular description is given about the "Phototest" output which is nothing else but the best possible solution in terms of reliability as regards safety devices. Each time a manoeuvre is activated the relevant safety devices are checked and only if everything is in order will the manoeuvre start.

Should the test be unsuccessful (the photocell is blinded by the sun, cables have short circuited, etc.) the failure is found and the manoeuvre is not carried out.

All this is possible only by using a certain configuration in the safety devices' connections (Fig. 5).

As you can see from the wiring diagram, while the receivers of the photoelectric cells PHOTOCELL, PHOTOCELL 1 (and PHOTOCELL 2 if it exists - on the PIU' card) are normally supplied by the accessories' 24 V a.c., the transmitters take their power from the phototest output. When movement is requested, first of all it is verified that all the receivers involved in the movement give their consent then the phototest output is turned off after which it is checked that all the receivers signal the fact by removing their consent; lastly, the phototest output is reactivated and consent of all the receivers is verified once again.

As you can see, synchronism has been activated on the two transmitters by cutting the jumpers, this is the only way to guarantee that the two pairs of photoelectric cells do not interfere with one another. Check the instructions in the photocell manual regarding synchronised functioning.



If the "PHOTOCELL" input is not going to be used its terminal must be jumpered via the 24 VAC relay connected on the PHOTOCELL TEST output.

- As a rule gearmotors are used on 2-wing gates that do not need limit switches; it is normal practice to install mechanical stops that stop movement in the point wanted. There is also a "Working Time" trimmer on the control unit that is usually set for a time slightly longer than the time actually needed for the complete manoeuvre. When the gate reaches the mechanical stop the motor stops and remains under stress for the rest of the time; the motors are always designed to withstand this kind of stress without any trouble, especially if the force is set at values lower than 100%.
- In some installations, like for instance in the case of two sliding gates or if you wish to exploit the positioning function, limit switches might be needed. In the majority of cases, if limit switches are used they are the normally closed "NC" type so that if a failure does occur it will cause the motor to stop without the gate getting stuck. In other cases, like for example when magnetic type contacts are used, it is possible that normally open type limit switches have to be used "NO". To enable the control unit to use NO type limit switches you have to cut the FC jumper on the card (Fig. 2). This jumper can also be cut even if limit switches are not used which will avoid having to install the relative jumpers.
- Depending on the type of gearmotor and on the function you wish to achieve, the limit switches can be used as indicators of the end of travel point (limit switch function) or to signal the starting point of the positioning function. If they are used for positioning, they are normally installed at an angle of 10-20° from the stopping point and they indicate the point at which an even weaker force will be applied to the motors, adjustable by means of the POSITIONING FORCE trimmer, so the gate will stop mechanically as gently as possible.

4) Adjustments

TLM = Increased Working Time

TL = Working Time

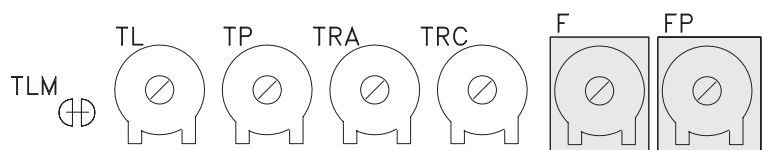
TP = Pause Time

TRA = Opening Delay Time

TRC = Closing Delay Time

F = Force

FP = Positioning Force



If the gate has 2 wings that could get bump into each other if, when opening, they start simultaneously or, when closing, one moves on top of the other, you will have to readjust the Opening Delay Time trimmer "TRA" or the Closing Delay Time trimmer "TRC". These trimmers can be adjusted to your liking, although as a rule the TRA is set for the time actually needed and the wing moved by the 2nd motor is already out of the way when the 1st motor starts.

The TRC trimmer must be adjusted so that when closing, the wing moved by the 2nd motor always reaches the end only after the 1st motor has terminated the closing manoeuvre.

The Closing Delay Time can be used as a safety margin of 50 cm in closing.

Now select the "Semiautomatic" functioning mode by positioning dip-switch no. 1 in ON and adjust the Working Time trimmer to about halfway of the travel distance. Having made these adjustments, run a complete opening cycle followed by a complete closing cycle and readjust the Working Time trimmer as needed so that there is enough time for the whole manoeuvre leaving a margin of about 2 to 3 seconds. If the trimmer is on maximum and there still is not enough time, the TLM jumper on the printed circuit near the trimmer can be cut to provide more working time.

In some types of actuators, for example the oleodynamic type, force is adjusted directly on the actuator; consult the relative instruction manual regarding adjustment and leave force adjustment inside the unit on maximum.

For all the types of actuators that do not have a force adjustment device it is possible to exploit the adjustment system of the force inside the unit: on the basis of the unit version used, follow the relative instructions.

The following refers only to the A6 version

There is a FORCE trimmer on the unit which is usually set for maximum force; with a screwdriver turn the trimmer counterclockwise to reduce motor force until you reach the value established by the standards.

The following refers only to the A6F e A700F versions

There is an adequately powered autotransformer on the unit with intermediate sockets on the primary winding and which can be selected by means of a special FORCE commutator; turn the commutator round to the most suitable position to reduce motor force until you reach the value established by the standards.

Maximum force is provided whatever system is used to adjust the force for the initial movement phase and for a duration of 1.5 seconds; only after this time, defined "Inrush", is the force established.

If you have chosen the automatic functioning mode (dip-switch No. 2 ON), the end of the opening manoeuvre is followed by a "pause" time at the end of which a closing manoeuvre follows automatically. The time the gate stays open can be adjusted with the PAUSE TIME trimmer for the length of time you want, without any limits. An automatic closing manoeuvre and the relative pause time are activated also in the semiautomatic functioning mode when, in closing, the triggering of a safety device will cause the gate to reverse direction.

Only now, when all the adjustments have been made, do we advise you to plug in the radio receiver if you have one, reminding you that the commands it sends are sent to the STEP-BY-STEP input.

4.1) Functioning modes

Note: some of the parts described below refer only to the **A700F** version.

In the manual functioning mode the OPEN input consents to the opening manoeuvre, the CLOSE input consents to the closing manoeuvre, the STEP-BY-STEP consents to an alternating closing and opening manoeuvre; as soon as the command in input stops, movement stops. If, during an opening manoeuvre, the limit switches trigger or if PHOTOCELL 2 (on the PIU' card) fails to give consent, movement will stop; during a closing manoeuvre, on the other hand, movement will also stop if there is no consent from PHOTOCELL and PHOTOCELL 1. Whether in the opening or closing phase movement, the activation of the STOP command will cause an immediate stopping of movement and a short reverse run.

When a movement is stopped you have to stop the command in input before a new command has the chance to start a new movement. When in one of the automatic functioning modes (semiautomatic, automatic or close always), a command pulse on the OPEN input will cause an opening manoeuvre; if the command persists once fully open, the gate will stay in this position for a "infinite" pause time; only when the command stops can the gate close again.

A pulse on the STEP-BY-STEP causes an alternating closing and opening manoeuvre. A second pulse on the STEP-BY-STEP or on the input that started movement, will cause a Stop.

Both in the opening and closing phases, the activation of the STOP command will cause an immediate stopping of movement and a short reverse run.

If, instead of a pulse on a command input a continuous signal is maintained, a state of "priority" will be created where the other command inputs are disabled (useful if you want to connect a timer or a Night-Day selector). If you have chosen the automatic functioning mode, subsequent to an opening manoeuvre there will be a pause followed by a closing manoeuvre. If, during the pause time, either the PHOTOCELL or PHOTOCELL 1 triggers, the timer will be reset with a new pause time; if, on the other hand, there is a STOP during the pause time, the reclosing function is cancelled and there is a STOP state. Triggering of PHOTOCELL or PHOTOCELL 1 has no effect during an opening manoeuvre but PHOTOCELL 2 (on the PIU' card) will cause reversal of movement; the triggering of PHOTOCELL or PHOTOCELL 1 during a closing manoeuvre will cause reversal of movement followed by a pause time and then a reclosing manoeuvre.

5) Programming

The unit comprises a set of microswitches used to operate various functions so as to render the system more suitable to user needs and safer in the different ways of usage. All functions are activated by placing the dip-switch in the "ON" position while they will not be activated if the corresponding dip-switches are "OFF"; some functions do not have an immediate effect and only have sense in certain conditions like, for instance, the No. 12 function "Flashing also in pause time" which is only active with automatic closing and if the manoeuvre is not interrupted with a STOP command.

⚠ ATTENTION: some of the programmable functions are linked to safety aspects, very carefully evaluate the effects of a function and see which function gives the greatest possible level of safety. When servicing a system, before you modify a programmable function, ascertain the reason why, during installation, certain choices were made and then verify if, with the new programming, safety will be impaired.

5.1) Programmable functions

With the FUNCTIONS dip-switch you can select the various functioning modes and add the functions required according to this table:

Switches 1-2:	Off Off	= "Manual" movement (Man Present)
	On Off	= "Semiautomatic" movement
	Off On	= "Automatic" movement (Automatic Closing)
	On On	= "Automatic+Always Closes" movement
Switch 3	On	= Condominium functioning mode < Not available in the Manual mode >
Switch 4	On	= Preflashing
Switch 5	On	= Recloses immediately after Photocell < Only in the Automatic mode >
Switch 6	On	= Photocell 1 also in Opening
Switch 7	On	= Gradual start
Switch 8	On	= Gradual stop
Switch 9	On	= Water hammering
Switch 10	On	= Courtesy light on flashing

There is a second set of dip-switches with other functions in the A700F version:

Switch 11	On	= Positioning function < only with the aid of the limit switch >
Switch 12	On	= Flashing also in Pause < Only in the Automatic mode >
Switch 13	On	= Pressure holding
Switch 14	On	= Gate Open Indicator with proportional flashing
Switch 15	On	= Phototest operation
Switch 16	On	= Photocell and Photocell 1 also in opening
Switch 17	On	= Photocell and Photocell 1 at start of the opening manoeuvre
Switch 18	On	= Misses STOP in opening
Switch 19	On	= Misses STOP in closing
Switch 20	On	= CLOSE becomes PEDESTRIAN OPEN

We wish to remind you that the functions that are possible only in certain cases are indicated with the notes between the symbols "<>" following the description of the function.

Of course, if a dip-switch is "OFF" the function described will not be activated.

5.2) Description of the functions

Here is a brief description of the functions that can be added by switching the relative dip-switch "ON".

Switches 1-2: Off Off = "Manual" movement (Man Present)
On Off = "Semiautomatic" movement
Off On = "Automatic" movement (Automatic Closing)
On On = "Automatic+Always Closes" movement

In the "Manual" functioning mode, the gate will move only as long as the key to command (it is held down).

In the "Semiautomatic" functioning mode a command pulse is enough to carry out the whole movement up to the mechanical stop or until the limit switch triggers. In the "Automatic" functioning mode an opening manoeuvre is followed by a pause and then a closing manoeuvre.

The "Always Closes" function comes into play subsequent to a temporary power cut; if the gate is open a closing manoeuvre starts automatically preceded by 5 seconds of preflashing.

Switch 3: On = Condominium function (not available in the Manual mode)

In the Condominium functioning mode, once an opening manoeuvre has started it cannot be interrupted by other command pulses on STEP-BY-STEP or OPEN until the gate has finished opening. During a closing manoeuvre, a new command pulse will stop the gate and reverse the direction, opening the gate.

Switch 4: On = Preflashing

With a command pulse first of all flashing is activated followed by movement 5 seconds later (2 seconds if on manual).

Switch 5: On = Recloses straight after Photocell (only if in the Automatic mode)

With this function the gate can be kept open only for the length of time needed for transit; in fact, it will close automatically always 5 seconds after the last object has passed by the Photocell or Photocell 1, irrespective of the programmed Pause Time.

Switch 6: On = Photocell 1 also in opening

This is the only function that makes the photoelectric cells PHOTOCELL and PHOTOCELL 1 different. As a rule the safety devices PHOTOCELL and PHOTOCELL 1 will only trigger in the closing manoeuvre, having no effect whatsoever in the opening manoeuvre. If dip-switch No. 6 is turned "ON", the PHOTOCELL will continue triggering only in the closing manoeuvre but PHOTOCELL 1 will trigger also in the opening manoeuvre, causing an interruption in the movement. In the semiautomatic or automatic mode, movement will restart after the last object has passed by PHOTOCELL 1

This is useful to stop the gate in the opening manoeuvre when, for example, a vehicle nears the gate from the inside, which is in the direction of the manoeuvre, without stopping movement when the vehicle nears the gate from the outside.

Switch 7: On = Gradual start

Movement starts gradually, sending an increasing force to the motor forming a ramp that lasts about 1 second, this guarantees a jolt-free start. (Not recommended on METRO gear motor).

Switch 8: On = Gradual stop

When movement finishes, a gradual stop is carried out, sending a diminishing force to the motor with a decrement that lasts about 1 second, this guarantees a jolt-free stop.

For obvious safety reasons, when STOP, PHOTOCELL and PHOTOCELL 1 or PHOTOCELL 2 (on the PIU' card) or one of the limit switches trigger, there is no gradual stop, being replaced by an ordinary stop.

Switch 9: On = Water hammering

When reversible actuators are used, and hence the gate does not remain closed with the mere thrust of the motors, an electric lock has to be installed (see actuator instructions as to use).

Consequently the natural thrust applied to the electric lock might tend to leave the gate wings slightly ajar, sometimes this thrust is so great that it keeps the electric lock's triggering mechanism blocked. With the water hammering function on, a short closing cycle is activated prior to an opening manoeuvre but it causes no movement since the gates are already up against the mechanical closing stop. In this way, when the electric lock is activated, without any force and therefore ready to trigger.

Switch 10: On = Courtesy light on flashing

In certain cases it might be necessary to illuminate the gate movement area and often it is required that the light turn off automatically soon after the gate has finished its manoeuvre. This function is commonly referred to as the "Courtesy light". By connecting appropriate light fixtures to the same output as the flashing light (for a maximum total capacity of 100 W) and activating this function, the output will remain active, illuminating the area for the duration of the manoeuvre plus 60 seconds.

Only on the **A700F** version there is a second set of dip-switches with other functions:

Switch 11: On = Positioning function (only with the use of the limit switches)

The limit switches can be used, instead of for signalling movement limits, for indicating the point in which positioning starts. Normally when the positioning function is used, the limit switches are installed at an angle of 10-20° before the mechanical stop. This means that when the moving wing reaches the limit switch, a reduced force will be sent to the motor which can be adjusted with the "Positioning Force" trimmer for an additional 3 seconds so that the gate can reach the mechanical stop as gently as possible.

Switch 12: On = Flashing also in Pause

The flashing light is normally activated only during the opening and closing manoeuvres, this function means that the flashing light remains active also during the Pause Time to signal the "closing soon" condition.

Switch 13: On = Pressure holding

In the oleodynamic actuators the thrust to keep the gate closed is developed inside a hydraulic circuit which is constantly under pressure. When time and wear reduce the hydraulic circuit's sealing effect it could happen that after a few hours the internal pressure drops and there is the risk of the gate opening slightly.

If the Pressure Holding Function is activated, after 4 hours, and then for each 4 hours that the gate is closed, a brief closing manoeuvre is activated with the sole aim of recharging pressure in the hydraulic circuit.

NOTE: the "Water hammering" and "Pressure Holding" functions only have sense and are carried out if the gate is closed.

The internal logic considers the gate closed if the relative limit switch, FCC, has triggered or, if the limit switches are not used, by the fact that the previous closing manoeuvre was concluded regularly by the end of the working time.

Switch 14: On = Gate Open Indicator with proportional flashing

The Gate Open Indicator normally signals gate condition as follows:

Off: Gate completely closed

On: Gate only partly open

Slow flashing: Gate starting to open

Fast flashing: Gate closing

The flashing of the indicator light during movement can be rendered proportional, going gradually from slow to fast and vice versa; this will provide an indication about the opening and closing state.

Switch 15: On = Phototest activation

This switch starts a test of the photoelectric cells before each movement begins; thus doing, the chance of malfunctioning is eliminated and plant safety is augmented. In order to take advantage of the Phototest function the photoelectric cell transmitters must be connected to the corresponding output (see: Note on connections).

Switch 16: On = Photocell and Photocell 1 also in opening

The safety devices PHOTOCELL and PHOTOCELL 1 normally trigger only in the closing manoeuvre; if dip-switch no. 16 is activated, triggering of the safety devices will cause movement to be interrupted even in the opening phase; if it is set on Semiautomatic or Automatic, movement in the opening direction will start again as soon as the last object has passed by the photoelectric cell.

Switch 17: On = Photocell and Photocell 1 at the beginning of the opening manoeuvre

As a rule the safety devices PHOTOCELL and PHOTOCELL 1 are only active in the closing manoeuvre and not in the opening manoeuvre because the former is the most dangerous. In some countries there are standards that impose the control of the safety devices at least at the beginning also of the opening manoeuvre. If such standards have to be complied with or if you wish to increase the level of safety, it is possible to activate the function and consequently check, prior to starting movement, consent given by the PHOTOCELL and PHOTOCELL 1 safety devices, and only then start movement.

Switch 18: On = Misses STOP in opening

The Step-by-Step cycle is normally: OPEN-STOP-CLOSE-STOP. With this function on, Step-by-Step becomes: OPEN-CLOSE-STOP- OPEN, while the Open input loses its possibility to STOP.

Switch 19: On = Misses STOP in closing

This is similar to the previous function but concerns the closing cycle, hence the Step-by-Step cycle becomes: OPEN-STOP-CLOSE-OPEN, while the Close input loses its possibility to STOP.

NOTE: By turning dip-switches 18 and 19 ON, the step-by-step cycle becomes: OPEN-CLOSE-OPEN, losing its possibility to STOP.

Switch 20: On = CLOSE becomes PEDESTRIAN OPEN

It could happen that you do not need to open the gate fully like, for instance, when a person has to transit; in such a case, the PEDESTRIAN OPEN function is useful which opens just the one gate, connected to the 2nd motor, leaving the other one closed.

This type of opening is activated by the CLOSE input which loses its original function, becoming like the Step-by-Step input, but only for the opening of one gate. We ought to stress that the pedestrian opening cycle will only start if the gate is closed; if the gate is moving or open, the input pulse will have no effect.

ACCESSORY: "PIÙ" EXPANSIONS CARD

The electronic unit is equipped with all the main functions required of a normal automation, in the A700F version there is also the possibility of adding the optional PIU card by means of which unit performance can be enhanced.

The following is only applicable to the **A700F** version

The card must be plugged into the corresponding connector on the unit and consequently the following are available on the card terminals:

- The following inputs: Photocell 2 = Safety device that triggers in the opening manoeuvre
Partial Opening = It carries out an opening manoeuvre in a shorter time
 - The following outputs: Red = Red light of the traffic light
Green = Green light of the traffic light } Alarms
Electric lock = Electric lock command (seeing as the unit is already equipped with this output, the function has been modified to "Suction Pad" to connect the magnetic holding devices that are used as an alternative to the electric lock)
Courtesy light = The command of a lamp with the functions of a courtesy light
- Note: The outputs can only command small capacity loads (indicator lamps, relays, etc.)
- and the following adjustments: Partial Time = Time for partial opening
Courtesy Time = Time for the courtesy light

The complete features and instructions for using the card are given in the relative instruction manual.

6) Testing

Once the motor and various accessories have been connected you can now check all the connections and test the plant.

▲ This is the most important stage in the automation system installation procedure in order to ensure maximum safety levels. Testing can also be adopted as a method of periodically checking that all the various devices in the system are functioning correctly.

Testing of the entire system must be performed by qualified and experienced personnel who must establish which tests to conduct on the basis of the risks involved, and verify the compliance of the system with applicable regulations, legislation and standards, in particular with all the provisions of EN standard 12445 which establishes the test methods for automation systems for gates.

We recommend working in the manual mode with all the functions deactivated (dip-switches OFF); in all cases, when you are working in the manual mode and you release the control key the motor will stop immediately. Also check that all the adjustment trimmers are on minimum (turned in the counterclockwise direction), only the FORCE trimmer (on **A6**) or the FORCE commutator (on **A6F** and **A700F**) can be positioned on maximum; the Positioning Force trimmer (on **A700F**) must be positioned halfway.

Each component of the system, e.g. safety edges, photocells, emergency stop, etc. requires a specific testing phase, we therefore recommend observing the procedures shown in the relative instruction manuals.

Ensure that the instructions outlined in this manual and in particular in chapter 1 "WARNINGS" have been observed in full.

- A)** Unlock the gate and take the wings to the halfway point and then lock them, now the gate is free to move in either the opening or closing direction.
- B)** Power the unit and check that voltage between terminals 1-2 and 1-3 is 230 / 120 Vac and 24 V a.c. between terminals 21-22.

The following refers only to the **A700F** version

- C)** Check that voltage on terminals 14-15 is 24 V a.c. for powering the photoelectric cell transmitters.

As soon as the unit is powered the indicator lights (LEDs) on the active inputs should light up; in addition, the "OK" LED should start flashing almost immediately afterwards at regular intervals. If none of this happens, switch power off and check connections more carefully.

- The task of the "OK" LED, in the centre of the card, is to signal the state of the internal logic: regular flashing at 1 second inter-

vals means the internal microprocessor is working and waiting for commands. On the other hand, when the same microprocessor recognises a variation in the state of an input (be it a command input or function dip-switch), a double, quick flashing is generated even if the effects of the variation are not immediate. Extra fast flashing for 3 seconds means that the unit has just been powered and is carrying out a test of the internal parts; lastly an irregular, non constant flashing means that the test was unsuccessful and, consequently, there is a failure.

- D)** Now check that the LEDs of inputs with NC type contacts are on (all the safety devices active) and that the LEDs of inputs with NO type contacts are off (no command present); if this does not happen check connections and effectiveness of the various devices.
- E)** Check that all the safety devices on the plant are working properly (emergency stop, photoelectric cells, pneumatic edges, etc.); each time they trigger the corresponding STOP, PHOTOCELL or PHOTOCELL 1 should turn off.
- This is one of the most important checks and must be done with great care, in actual fact the "active" safety of the gate machine depends on the correct functioning of the safety devices. If the flashing light is an excellent instrument for signalling the state of danger and the torque limiting devices are an excellent means to minimise damages, only a correct installation of the safety devices will make it possible to block the automatism before it can cause any damage.

The following refers only to the **A700F** version

- F)** You will have to check correctness of the connections if limit switch inputs are used. Move the wings one at a time and check that once the point wanted is reached, the corresponding limit switch triggers, turning the relative LED off on the unit (or turning it on if NO limit switches are installed).

- Now is the time to check whether movement occurs in the right direction, that is, to see whether movement set on the unit corresponds to that of the gates.

This check is of paramount importance, if the direction is wrong in some cases (in the semiautomatic functioning mode for instance), the gate might appear to be working properly; in fact, the OPEN cycle is similar to the CLOSE cycle but with one basic difference, the safety devices are ignored in the closing manoeuvre which is normally the most dangerous, and they will trigger in the opening manoeuvre causing the gate to reclose up against the obstacle with disastrous results!

G) To see whether or not rotation direction is correct, give a short pulse to the Step-by-Step input; the first manoeuvre the unit will carry out after being powered on is always an OPEN one, so simply verify that the gate starts opening; if movement is wrong you must proceed as follows:

- 1 - Turn power off
- 2 - Reverse the "OPEN" and "CLOSE" connections of the motor or motors that are turning in the wrong direction.

Once this has been done, check if rotation direction is now correct, repeating the procedure described in point "G".

H) Having checked all connections and motor rotation direction, it is possible to try a complete movement of the actuators, we recommend that you always work in the manual mode with all functions deactivated. If you use the Step-by-Step as the command input, the first movement (after turning on) should be an opening one. By means of the command inputs, move the gate until it reaches the open point; if everything goes normally you can then go on to the closing manoeuvre and move the gate until it reaches the stop point.

It is worthwhile carrying out several open and close manoeuvres so you can evaluate any defects in the automation's mechanical structure and also to pinpoint any specific points of friction.

I) Now test triggering of the safety devices; in the opening manoeuvre PHOTOCELL and PHOTOCELL 1 have no effect but in the closing manoeuvre they will stop movement. If the PIU' card is plugged in try functioning of the PHOTOCELL 2 input, in the closing manoeuvre it has no effect while in the opening manoeuvre it will stop movement. The devices connected to the STOP input act both in the opening and closing manoeuvres, stopping movement each time.

L) The hazardous situations caused by the movement of the leaves have been safeguarded by limiting the force of impact, the impact force must be measured according to EN Standard 12445. If the control of the "motor force" is used to assist the system for the reduction of the impact force, try to find the adjustment to obtain optimal results.

6.1) Commissioning

Commissioning can take place only after all the testing phases of the control unit and the other devices have been completed successfully. It is not permissible to execute partial commissioning or to enable use of the system in makeshift conditions.

1. Prepare and store for at least 10 years the technical documentation for the automation, which must include at least the following: assembly drawing of the automation, wiring diagram, analysis of hazards and solutions adopted, manufacturer's declaration of conformity of all the devices installed (for **A6 - A6F - A700F** use the annexed CE declaration of conformity); copy of the instruction manual and maintenance schedule of the automation.

2. Affix a dataplate on the gate providing at least the following data: type of automation, name and address of manufacturer (person responsible for the "commissioning"), serial number, year of manufacture and "CE" marking.

3. Post a permanent label or sign near the gate detailing the operations for the release and manual manoeuvre.

4. Prepare the declaration of conformity of the automation system and deliver it to the owner.

5. Prepare the "Instructions and warnings for the use of the automation system" and deliver it to the owner.

6. Prepare the maintenance schedule of the automation system and deliver it to the owner (this must provide all directions regarding the maintenance of the single automation devices).

7. Before commissioning the automation system inform the owner in writing regarding residual risks and hazards (e.g. in the "Instructions and warnings for the use of the automation system").

7) Maintenance and Disposal

⚠ This charter provides information about how to draw up a maintenance schedule, and the disposal of A6 – A6F –A700F.

7.1) Maintenance

The automation must undergo maintenance work on a regular basis, in order to guarantee prolonged lifetime.

The maintenance operations must be performed in strict compliance with the safety directions provided in this manual and according to the applicable legislation and standards.

If other devices are present, follow the directions provided in the corresponding maintenance schedule different from A6 - A6F - A700F.

1. Is requires scheduled maintenance work every 6 months or 10,000 manoeuvres (max.) after previous maintenance.

2. Disconnect all power supplies.

3. Check for any deterioration of the components which form the automation, paying particular attention to erosion or oxidation of the structural parts. Replace any parts which are below the required standard.

4. Connect the electric power sources up again, and carry out the testing and checks stated in Paragraph "6 Testing".

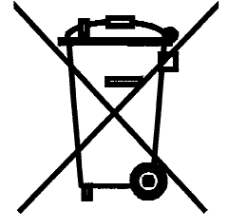
7.2) Disposal

As in the case of installation, at the end of the product lifetime, disposal procedures must be carried out by qualified personnel.

This product comprises various types of materials, some of which can be recycled while others must be disposed of. Check information on the recycling and disposal procedures according to local legislation for this product category.

⚠ Some parts of the product may contain pollutant or hazardous substances; if disposed of into the environment these may constitute a serious risk of damage to the environment and public health.

As indicated by the symbol in figure never dispose of this product in domestic waste. Apply "classified waste collection" procedures for disposal in accordance with local regulations or return the product to the retailer when purchasing a new model.



Local regulations may envisage serious fines in the event of illegal disposal of this product.

8) Accessories

The following optional accessories are available for **A6 – A6F – A700F**:

“PIU” CARD:

The unit already has all the functions used in a normal installation but to meet the demands of use in particular installations NICE has designed an optional card “PIU” used to add new functions like traffic light signalling, courtesy light, lock, Photocell2, partial opening of the two gates, and so on.

“RADIO” CARD:

There is a connector in the unit for plugging in a radio card used to act on the STEP-BY-STEP input and thus control the unit remotely by means of a transmitter.

Consult the Nice S.p.a. product catalogue for the complete and updated list of accessories.

9) Technical characteristics

With the aim of improving products, Nice S.p.a reserves the right to modify technical characteristics at any time without notice, while maintaining the same functionalities and intended use.

All technical characteristics stated refer to an ambient temperature of 20°C (±5°C).

Model type:	A6 -A6/V1	A6F -A6F/V1	A700F -A700F/V1
Power A6 – A6F – A700F	230 Vac ± 10%, 50 - 60 Hz		
Power A6/V1 – A6F/V1 - A700F/V1	120 Vac ± 10%, 50 - 60 Hz		
Maximum actuator power 230 Vac	300 W [1,3 A]		
Maximum actuator power /V1 120 Vac	300 W [2,5 A]		
Maximum flashing light power	100W		
Maximum frequency of operating cycles	unlimited		
Maximum time of continuous operation	unlimited		
Maximum current accessories (24 Vac)	200 mA		
Maximum current phototest output	/	/	100 mA
Gate open indicator max. power SCA (24Vac)	2 W		
Maximum electric lock power 12 Vac	/	15 VA	15 VA
Working time	from 2,5 to 40 sec. (from 30 to 80 sec. con TLM)		
Pause time	from 5 to 80 sec.		
TRA opening delay time	0 or from 2.5 to 12 sec.		
TRC closing delay time	0 or from 2.5 to 12 sec.		
Force adjustment	from 0 to 100 %	30%-45%-60%-80%-100%	
Operating temperature	-20 ÷ 50 °C		
Size	280 x 220 x 110 mm		
Weight	1,7 Kg	2,7 Kg	2,7 Kg
Protection level	IP55 (container undamaged)		

Congratulations for having chosen a Nice product for your automation system! Nice S.p.A. produces components for the automation of gates, doors, rolling gates, roller shutters and awnings: gearmotors, control units, radio controls, flashing lights, photocells and miscellaneous accessories. Nice uses only the finest materials and first-class workmanship. It focuses on the development of innovative solutions designed to simplify the use of its equipment, dedicating meticulous care to the study of its technical, aesthetic and ergonomic characteristics: From the wide range of Nice products, your installation technician will certainly have selected the one best suited to your specific requirements. However, Nice is not the producer of your automation system, which is rather the result of a combination of operations carried out by your installation technician, namely analysis, evaluation, selection of materials and system implementation. Each automation system is unique. Your installation technician is the only person who possesses the experience and professionalism needed to set up a system capable of satisfying your requirements, a system that is safe, reliable, long lasting and built in accordance with the regulations in force. An automation system is not only very convenient; it also improves the level of security in your home. Moreover, it will last for years with very little maintenance. Even though the automation system you possess meets the safety requirements of the legislation in force, this does not exclude the existence of a “residual risk”, i.e. the possibility that dangers may arise, usually as a result of improper or unreasonable use. We have prepared the following list of do's and don'ts to help you avoid any mishaps:

- **Before using your automation system for the first time**, ask the installer to explain the origin of residual risks; take a few minutes and read the users **instructions manual given you by the installer**. Retain the manual for future use and deliver it to any subsequent owner of the automation system.
- **Your automation system is a machine that will faithfully execute your commands**; unreasonable or improper use may generate dangers: do not operate the system if there are people, animals or objects within its range of operation.
- **Children**: automation systems are designed to guarantee high levels of safety and security. They are equipped with detection devices that prevent movement if people or objects are in the way, guaranteeing safe and reliable activation. However, children should not be allowed to play in the vicinity of automated systems; to prevent any accidental activations, keep all remote controls away from children: **they are not toys!**
- **Photocells do not constitute actual safety devices, but safety aids**. They are designed using highly reliable technology, but in extreme conditions may be subject to malfunctions or potential faults, and in certain cases these faults are not immediately evident.

For this reason, it is good practice to observe the following:

- Transit is admitted only if the gate or door is completely open with the leaves stationary
- Transit while the gate or door is closing is **STRICTLY PROHIBITED!**

Periodically check correct operation of the photocells and perform the scheduled maintenance at least every six months.

- **Malfunctions**: If you notice that your automation is not functioning properly, disconnect the power supply to the system

and operate the manual release device. Do not attempt to make any repairs; call the installation technician and in the meantime, operate the system like a non-automatic door after releasing the gearmotor as described below.

- **Maintenance**: Like any machine, your automation needs regular periodic maintenance to ensure its long life and total safety. Arrange a periodic maintenance schedule with your installation technician. Nice recommends that maintenance checks be carried out every six months for normal domestic use, but this interval may vary depending on the intensity of use. Only qualified personnel are authorised to carry out checks, maintenance operations and repairs.
- Do not modify the system or its programming and adjustment parameters in any way, even if you feel capable of doing it: your installation technician is responsible for the system.
- The final test, the periodic maintenance operations and any repairs must be documented by the person who has performed them, these documents must remain under the custody of the owner of the system.

The only recommended maintenance operations that the user can perform periodically concern the cleaning of the photocell glasses and the removal of **leaves and debris that may impede the automation**. To prevent anyone from activating the gate release the automation system. Use a slightly damp cloth to clean.

- **Disposal**: At the end of its useful life, the automation must be dismantled by qualified personnel, and the materials must be recycled or disposed of in compliance with the legislation locally in force.
- **In the event of malfunctions or power failures**. While you are waiting for the technician to come or for the power to be restored if your system is not equipped with buffer batteries, you can operate the system like any non-automatic gate. In order to do this you need to manually release the gearmotor (this operation is the only one that the user of the automation is authorized to perform): This operation has been carefully designed by Nice to make it extremely easy, without any need for tools or physical exertion.
- **Replacing the Remote Control Battery**: if your radio control, after a period of time, seems not to work as well, or not to work at all, it may simply be that the battery is exhausted (depending on the type of use, it may last from several months up to one year and more). In this case you will see that the light confirming the transmission is weak, or does not come on, or comes on only briefly. Before calling the installation technician try exchanging the battery with one from another operating transmitter: if the problem is caused by a low battery, just replace it with another of the same type. The batteries contain polluting substances: do not dispose of them together with other waste but use the methods established by local regulations.

Are you satisfied? If you wish to install another automation system in your home, call your old installation technician and use Nice products. You will get the services of a specialist and the most advanced products available on the market, superior performances and maximum system compatibility. Thank you for reading these instructions. We feel confident that you will be well satisfied with your new system: for any present or future requirements, please contact your reliable installation technician.

Mindy

A6 - A6F A700F

Indice:	pag.				
1	Avvertenze	17	5	Programmazioni	23
2	Descrizione prodotto e destinazione d'uso	18	5.1	Funzioni programmabili	24
2.1	Limiti d'impiego	19	5.2	Descrizione delle funzioni	24
2.2	Impianto tipico	19	6	Collaudo	26
2.3	Elenco cavi	19	6.1	Messa in servizio	27
3	Installazione	20	7	Manutenzione e smaltimento	27
3.1	Verifiche preliminari	20	7.1	Manutenzione	27
3.2	Fissaggio	20	7.2	Smaltimento	28
3.3	Schema dei collegamenti	20	8	Accessori	28
3.4	Descrizione dei collegamenti	21	9	Caratteristiche tecniche	28
3.5	Note sui collegamenti	22			
4	Regolazioni	22			
4.1	Modi di funzionamento	23			

1) Avvertenze

Questo manuale di istruzioni contiene importanti informazioni riguardanti la sicurezza per l'installazione, è necessario leggere tutte le istruzioni prima di procedere all'installazione. Conservare con cura questo manuale anche per utilizzi futuri.

Considerando i pericoli che si possono verificare durante l'installazione e l'uso, per la massima sicurezza è necessario che l'installazione avvenga nel pieno rispetto di leggi, norme e regolamenti. In questo capitolo verranno riportate avvertenze di tipo generico; altre importanti avvertenze sono presenti nei capitoli "3.1 Verifiche preliminari"; "6 Collaudo e messa in servizio".

⚠ Secondo la più recente legislazione europea, l'automazione di una porta o cancello ricade in quanto previsto dalla Direttiva 98/37/CE (Direttiva Macchine) e nel particolare, alle norme: EN 13241-1 (norma armonizzata); EN 12445; EN 12453 ed EN 12635, che consentono di dichiarare la conformità alla direttiva macchine.

Ulteriori informazioni, linee guida all'analisi dei rischi ed alla realizzazione del Fascicolo Tecnico, sono disponibili su: "www.niceforyou.com". Il presente manuale è destinato solamente al personale tecnico qualificato per l'installazione. Salvo lo specifico allegato da staccare a cura dell'installatore "Istruzioni ed avvertenze destinate all'utilizzatore" nessuna altra informazione contenuta nel presente fascicolo può essere considerata d'interesse per l'utilizzatore finale!

- L'uso diverso da quanto previsto in queste istruzioni è vietato; usi impropri possono essere causa di pericoli o danni a persone e cose.
- Prima di iniziare l'installazione è necessario eseguire l'analisi dei rischi che comprende l'elenco dei requisiti essenziali di sicurezza previsti nell'allegato I della Direttiva Macchine, indicando le relative soluzioni adottate. Si ricorda che l'analisi dei rischi è uno dei documenti che costituiscono il fascicolo tecnico dell'automazione.
- Verificare la necessità di ulteriori dispositivi per completare l'automazione in base alla specifica situazione d'impiego ed ai pericoli presenti; devono essere considerati ad esempio i rischi di impatto, schiacciamento, cesoiamento, convogliamento, ecc., ed altri pericoli in genere.
- Non eseguire modifiche su nessuna parte se non previste nelle presenti istruzioni; operazioni di questo tipo possono solo causare malfunzionamenti; NICE declina ogni responsabilità per danni derivati da prodotti modificati.
- Durante l'installazione e l'uso evitare che parti solide o liquidi possano penetrare all'interno della centrale e di altri dispositivi aperti; eventualmente rivolgersi al servizio di assistenza NICE; l'uso in queste situazioni può causare situazioni di pericolo
- L'automatismo non può essere utilizzato prima di aver effettuato la messa in servizio come specificato nel capitolo: "6 Collaudo e messa in servizio".
- Il materiale dell'imballaggio deve essere smaltito nel pieno rispetto della normativa locale.
- Nel caso di guasto non risolvibile facendo uso delle informazioni riportate nel presente manuale, interpellare il servizio di assistenza NICE.
- Qualora si verificano interventi di interruttori automatici o di fusibili, prima di ripristinarli è necessario individuare ed eliminare il guasto.
- Prima di accedere ai morsetti interni al coperchio scollegare tutti i circuiti di alimentazione; se il dispositivo di sconnessione non è a vista apporvi un cartello: "ATTENZIONE MANUTENZIONE IN CORSO".

Avvertenze particolari sull'idoneità all'uso di questo prodotto in relazione alla Direttiva "Macchine" 98/37/CE (ex 89/392/CEE):

- Questo prodotto viene immesso sul mercato come "componente di macchina" e quindi costruito per essere incorporato in una macchina o per essere assemblato con altri macchinari al fine di realizzare "una macchina" ai sensi della Direttiva 98/37/CE solo in abbinamento agli altri componenti e nei modi così come descritto nel presente manuale di istruzioni. Come previsto dalla direttiva 98/37/CE si avverte che non è consentita la messa in servizio di questo prodotto finché il costruttore della macchina, in cui questo prodotto è incorporato, non l'ha identificata e dichiarata conforme alla direttiva 98/37/CE.

Avvertenze particolari sull'idoneità all'uso di questo prodotto in relazione alla Direttiva "Bassa Tensione" 73/23/CEE e successive modifiche 93/68/CEE:

- Questo prodotto risponde ai requisiti previsti dalla Direttiva "Bassa Tensione" se impiegato per l'uso e nelle configurazioni previste in questo manuale di istruzioni ed in abbinamento con gli articoli presenti nel catalogo prodotti di Nice S.p.a. Potrebbero non essere garantiti i requisiti se il prodotto è usato in configurazioni o con altri prodotti non previsti; è vietato l'uso del prodotto in queste situazioni finché chi esegue l'installazione non abbia verificato la rispondenza ai requisiti previsti dalla direttiva.

Avvertenze particolari sull'idoneità all'uso di questo prodotto in relazione alla Direttiva "Compatibilità Elettromagnetica" 89/336/CEE e successiva modifiche 92/31/CEE e 93/68/CEE:

- Questo prodotto è stato sottoposto alle prove relative alla compatibilità elettromagnetica nelle situazioni d'uso più critiche, nelle configurazioni previste in questo manuale di istruzioni ed in abbinamento con gli articoli presenti nel catalogo prodotti di Nice S.p.a. Potrebbe non essere garantita la compatibilità elettromagnetica se il prodotto è usato in configurazioni o con altri prodotti non previsti; è vietato l'uso del prodotto in queste situazioni finché chi esegue l'installazione non abbia verificato la rispondenza ai requisiti previsti dalla direttiva.

2) Descrizione prodotto e destinazione d'uso

La centrale elettronica è utilizzabile per comandare il movimento di cancelli e portoni automatici, può essere collegata ad attuatori elettromeccanici dotati di motori asincroni monofase.

Il presente manuale di istruzioni si riferisce a più versioni della stessa centrale, le varie versioni si differenziano per una diversa completezza delle funzioni programmabili e degli ingressi disponibili oltre ad un diverso metodo usato per il controllo della forza degli attuatori:

A6: Versione base, regolazione di forza elettronica a parzializzazione di fase

A6F: Versione base, regolazione di forza elettromeccanica con autotrasformatore commutabile

A700F: Versione completa, regolazione di forza elettromeccanica con autotrasformatore commutabile

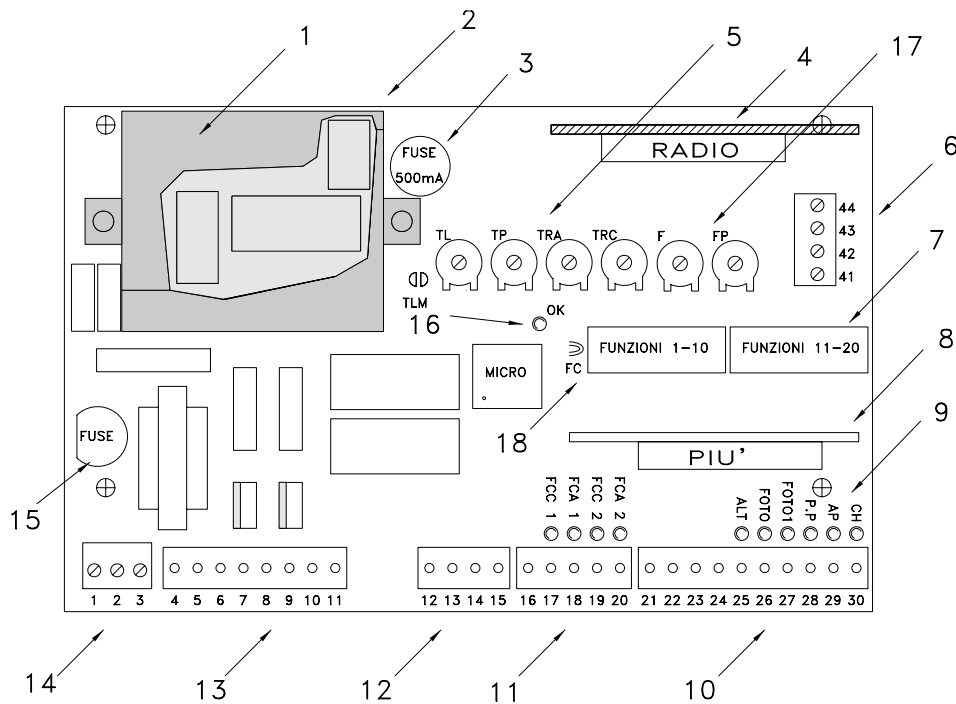
La centrale permette azionamenti in modo "manuale", "semiautomatico" oppure "automatico"; durante il movimento vengono controllati i consensi dai dispositivi di sicurezza (ingressi ALT, FOTO, FOTO1) nella versione **A700F** dei limiti del movimento vengono verificati mediante finecorsa, mentre nella versione **A6** il movimento è a tempo. Dispone di sofisticate funzioni di tipo logico che vanno dalla "Memoria del movimento" fino alla "Richiudi subito dopo Foto" passando per la "Chiudi sempre" e di particolari funzioni di tipo operativo "Partenza graduale", "Fermata graduale"

Nella versione **A700F**, con l'inserimento della scheda espansioni modello "PIU'", si ampliano ancora di più le funzioni attraverso altri ingressi ed altre uscite.

Tutte le centrali sono predisposte per l'inserimento della vasta gamma di ricevitori radio prodotti da Nice.

Nel progetto sono state adottate le più avanzate tecniche per garantire la massima immunità nei confronti dei disturbi, la maggiore flessibilità d'uso e la più vasta scelta di funzioni programmabili.

Prima di iniziare con l'installazione della centrale ed eseguire i collegamenti è opportuna una breve descrizione degli elementi più importanti presenti sulla scheda.



- | | |
|--|---|
| 1: Trasformatore di alimentazione (solo A6) | 11: Morsettiere ingressi finecorsa (solo A700F) |
| 2: Innesti per autotrasformatore esterno (solo A6F o A700F) | 12: Morsettiere uscite elettroserratura (solo A6F e A700F) e Fototest (solo A700F) |
| 3: Fusibile 500 mA rapido su alimentazione 24 Vac | 13: Morsettiere uscite lampeggiante e motori |
| 4: Innesto per scheda RADIO | 14: Morsettiere alimentazione |
| 5: Trimmer di regolazione dei tempi | 15: Fusibile rapido (5A se 230 Vac) o (6.3A se 120 Vac) |
| 6: Morsettiere Antenna ed uscita 2° canale RADIO | 16: Led OK |
| 7: Dip-switch per la selezione delle funzioni | 17: Trimmer di regolazione della forza |
| 8: Innesto per scheda PIU' (solo A700F) | 18: Ponticello FC per finecorsa normalmente aperti |
| 9: Led di segnalazione dello stato degli ingressi | |
| 10: Morsettiere ingressi sicurezze e comandi | |

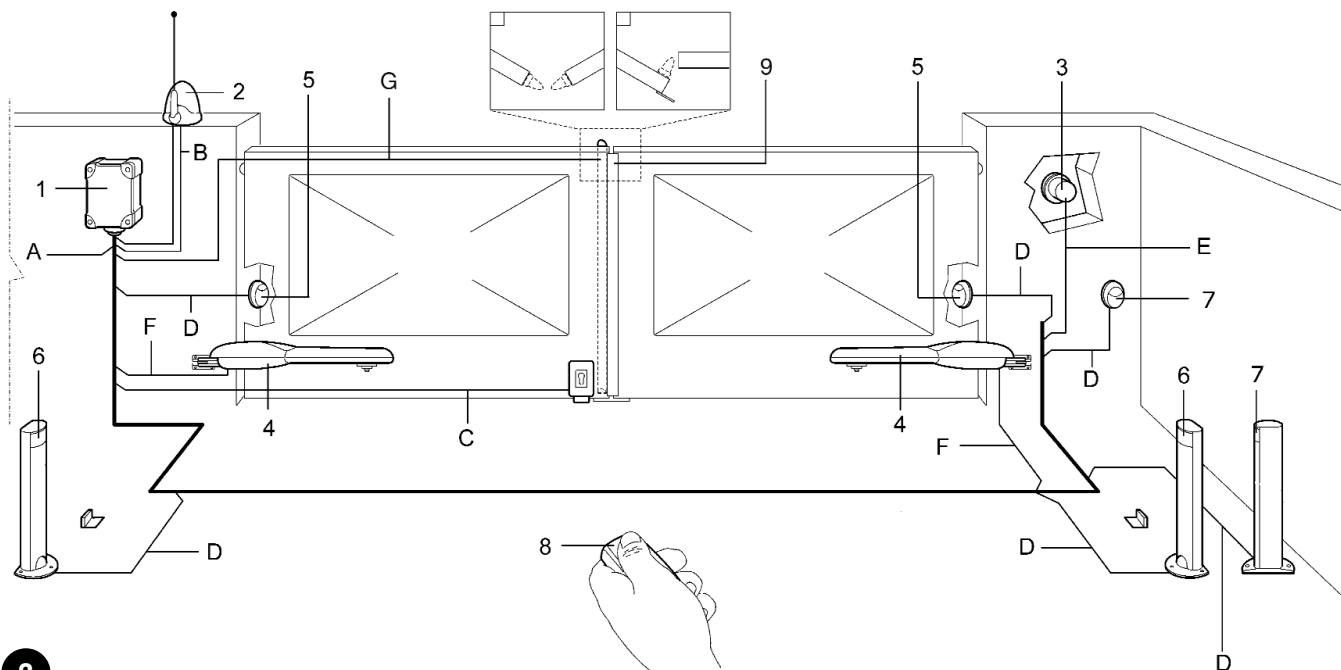
Il led OK (**16**), ha il compito di segnalare il corretto funzionamento della logica interna deve lampeggiare alla cadenza di un secondo ed indica che il microprocessore interno è attivo ed è in attesa di comandi. Quando c'è una variazione dello stato sugli ingressi (**10 - 11**) o dei dip-switch delle funzioni (**7**) viene generato un doppio lampeggio veloce, questo anche se la variazione non provoca effetti immediati.

Quando la centrale è alimentata le spie luminose (**9**) che sono poste sugli ingressi si accendono se quel particolare ingresso è attivo e quindi presente la tensione di comando a 24 Vac. Normalmente i led sugli ingressi delle sicurezze ALT, FOTO e FOTO1 e quelli sui finecorsa sono sempre accesi, mentre quelli sugli ingressi di comando PASSO PASSO, APRE e CHIUDI sono normalmente spenti.

2.1) Limiti d'impiego

I dati relativi alle prestazioni dei prodotti sono riportati nel capitolo "9 Caratteristiche tecniche" e sono gli unici valori che consentono la corretta valutazione dell'idoneità all'uso.

2.2) Impianto tipico



2

- | | |
|---|------------------------------|
| 1. Centrale A6 / A6F / A700F | 6. Coppia fotocellule FOTO 1 |
| 2. Lampeggiante con antenna incorporata | 7. Coppia fotocellule FOTO 2 |
| 3. Selettore a chiave | 8. Radio trasmettitore |
| 4. Motoriduttori | 9. Bordo sensibile |
| 5. Coppia fotocellule FOTO | |

NOTA: Questo schema rappresenta solo una possibile applicazione della centrale e va considerata solo come esempio. Solo una approfondita analisi dei rischi della "Macchina" cancello ed una appropriata valutazione delle richieste dell'utilizzatore finale possono stabilire quanti e quali elementi installare.

2.3) Elenco cavi

Nell'impianto tipico di figura 2 sono indicati anche i cavi necessari per i collegamenti dei vari dispositivi; in tabella 1 sono indicate le caratteristiche dei cavi.

⚠ I cavi utilizzati devono essere adatti al tipo di installazione; ad esempio si consiglia un cavo tipo H03VV-F per posa in ambienti interni oppure H07RN-F se posato all'esterno.

Tabella 1: elenco cavi

Collegamento	Tipo cavo	Lunghezza massima consentita
A: Linea elettrica di alimentazione	N°1 cavo 3x1,5mm ²	30m (nota 1)
B: Lampeggiante con antenna	N°1 cavo 2x0,5mm ²	20m
	N°1 cavo schermato tipo RG58	20m (consigliato minore di 5m)
C: Elettroserratura	N°1 cavo 2x1mm ²	20m
D: Fotocellule	N°1 cavo 2x0,25mm ² (Tx)	30m
	N°1 cavo 4x0,25mm ² (Rx)	30m
E: Selettore a chiave	N°1 cavo 4x0,25mm ²	30m
F: Collegamento motori	N°1 cavo 4x1,5mm ²	10m
G: Collegamento bordo sensibile	N°1 cavo 2x0,25mm ²	30m

Nota 1: se il cavo di alimentazione è più lungo di 30m occorre un cavo con sezione maggiore, ad esempio 3x2,5mm² ed è necessaria una messa a terra di sicurezza in prossimità dell'automazione.

3) Installazione

⚠ L'installazione deve essere effettuata da personale qualificato, nel rispetto di leggi, norme e regolamenti e di quanto riportato nelle presenti istruzioni.

3.1) Verifiche preliminari

Prima di procedere con l'installazione è necessario eseguire questi controlli:

- Verificare che tutto il materiale da utilizzare sia in ottimo stato, adatto all'uso e conforme alle norme.
- Verificare che la struttura del cancello sia adatta ad essere automatizzata.
- Verificare che i punti di fissaggio dei vari dispositivi siano in zone protette da urti e le superfici siano sufficientemente solide.
- Inserire appositi passacavi o passatubi solo nella parte inferiore della centrale, per nessun motivo le pareti laterali e quella superiore devono essere forati. I cavi devono entrare nella centrale solo dal lato inferiore!
- Evitare che le parti dell'automatismo possano venir immerse in acqua o in altre sostanze liquide.
- Non porre A6 - A6F - A700F vicino a fiamme o fonti di calore; in atmosfere potenzialmente esplosive, particolarmente acide o saline; questo può danneggiare A6 - A6F - A700F ed essere causa di malfunzionamenti o situazioni di pericolo.

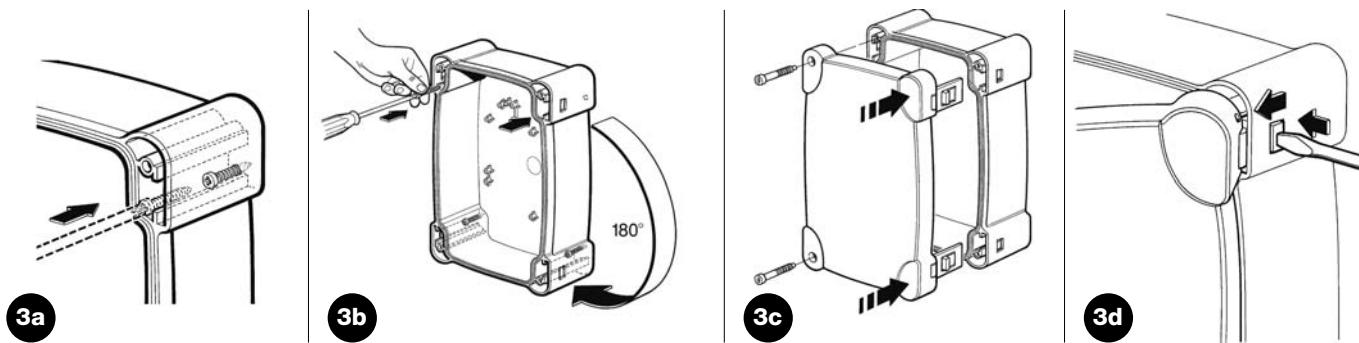
- Nel caso sia presente una porta di passaggio interna all'anta oppure una porta sull'area di movimento dell'anta, occorre assicurarsi che non intralci la normale corsa ed eventualmente provvedere con un opportuno sistema di interblocco.
- Collegare la centrale ad una linea di alimentazione elettrica dotata di messa a terra di sicurezza.
- La linea di alimentazione elettrica deve essere protetta da un adeguato dispositivo magnetotermico e differenziale.
- Sulla linea di alimentazione dalla rete elettrica è necessario inserire un dispositivo di sconnessione dell'alimentazione (con categoria di sovratensione III cioè distanza fra i contatti di almeno 3,5mm) oppure altro sistema equivalente ad esempio una presa e relativa spina. Se il dispositivo di sconnessione dell'alimentazione non è in prossimità dell'automazione deve disporre di un sistema di blocco contro la connessione non intenzionale o non autorizzata.

3.2) Fissaggio

Inserire le due viti negli appositi fori superiori facendole scorrere sulla guida, come fig. 3A avvitandole parzialmente. Ruotare di 180° la centrale e ripetere la stessa operazione con le altre 2 viti. Fissare a parete la centrale.

Inserire il coperchio dalla parte desiderata (con apertura a destra o sinistra), premere con forza in corrispondenza delle frecce.

Per togliere il coperchio premere con un cacciavite sul punto di incastro e contemporaneamente spingere verso l'alto.



3.3) Schema dei collegamenti

Installata quindi la centrale, gli attuatori, i relativi elementi di comando (selettore a chiave o pulsantiere) e di sicurezza (arresto di emergenza, fotocellule, costole sensibili e lampeggiante), è possibile passare ad eseguire i collegamenti elettrici seguendo le indicazioni riportate a seguito.

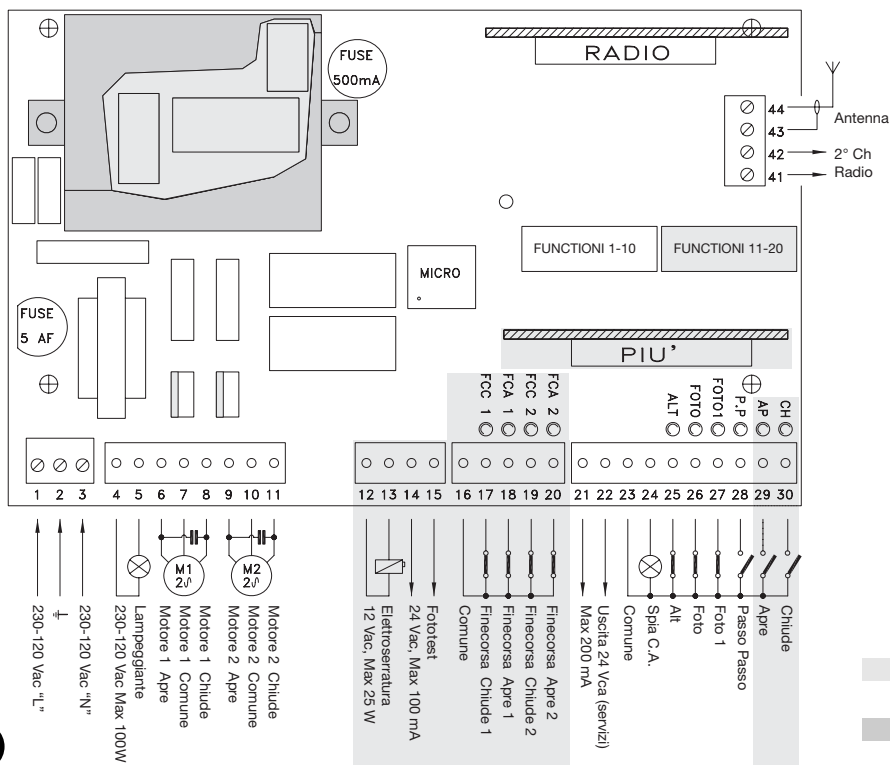
⚠ Per garantire l'incolumità dell'operatore e per prevenire danni ai componenti, mentre si effettuano i collegamenti, sia di bassa tensione (230V - 120V) che di bassissima tensione (24V) o si innestano le varie schede:

La centrale non deve essere assolutamente alimentata elettricamente.

Ricordiamo inoltre che gli ingressi dei contatti di tipo NC (Normalmente Chiuso), se non usati, vanno ponticellati, se più di uno vanno posti in SERIE tra di loro; gli ingressi dei contatti di tipo NA (Normalmente Aperto) se non usati vanno lasciati liberi, se più di uno vanno posti in PARALLELO tra di loro. Per quanto riguarda i contatti questi devono essere assolutamente di tipo meccanico e svincolati da qualsiasi potenziale, non sono ammessi collegamenti a stadi tipo quelli definiti "PNP", "NPN", "Open Collector" ecc. ecc.

Effettuare i collegamenti necessari seguendo lo schema di Fig. 4 e la successiva descrizione dei collegamenti.

⚠ Si ricorda che vi sono delle normative precise da rispettare in modo rigoroso sia per quanto riguarda la sicurezza degli impianti elettrici che per quanto riguarda i cancelli automatici.



La parte evidenziata è presente solo sulla versione **A700F**

La parte evidenziata è presente sulle versioni **A6F e A700F**

4

3.4) Descrizione dei collegamenti elettrici

Diamo una breve descrizione dei possibili collegamenti della centrale verso l'esterno:

- 1...3** : 230 - 120 Vac
- 4-5** : Lampeggiante = Uscita per collegamento al lampeggiante 230 - 120 Vac, potenza massima della lampada 100 W
- 6...8** : Motore 1 = Uscita per collegamento al 1° motore 230 - 120 Vac
- 9...11** : Motore 2 = Uscita per collegamento al 2° motore 230 - 120 Vac

Nota: I motori 1 e 2 di differenziano solo per il ritardo nelle partenze, il 1° motore è legato al tempo ritardo apertura "TRA" mentre il 2° motore è legato al tempo ritardo chiusura "TRC". Se i ritardi non sono necessari non c'è alcuna differenza tra i due motori.

I seguenti morsetti sono presenti solo su **A6F e A700F**

- 12-13** : Elettroserratura = Uscita 12 Vac per attivazione elettroserratura, potenza massima 25 W

La seguente serie di morsetti è presente solo sulla versione **A700F**

- 14-15** : Fototest = Uscita 24 Vac per alimentazione trasmettitori delle fotocelle, massimo 100 mA
- 16** : Comune = Comune per gli ingressi finecorsa (uguale all'altro comune morsetto 23)
- 17** : Finecorsa C1 = Ingresso finecorsa chiude del motore 1
- 18** : Finecorsa A1 = Ingresso finecorsa apre del motore 1
- 19** : Finecorsa C2 = Ingresso finecorsa chiude del motore 2
- 20** : Finecorsa A2 = Ingresso finecorsa apre del motore 2
- 21-22** : 24 Vca = Uscita 24 Vca per alimentazione servizi (Foto, Radio ecc) massimo 200 mA
- 23** : Comune = Comune per tutti gli ingressi (come Comune è utilizzabile anche il morsetto 22)
- 24** : Spia C.A. = Uscita per spia cancello aperto 24 Vca , potenza massima della spia 2 W
- 25** : Alt = Ingresso con funzione di ALT (Emergenza, blocco o sicurezza estrema)
- 26** : Foto = Ingresso per dispositivi di sicurezza (Fotocelle, coste pneumatiche)
- 27** : Foto1 = Ingresso per altro dispositivo di sicurezza (Fotocelle, coste pneumatiche)
- 28** : Passo Passo = Ingresso per funzionamento ciclico (APRE STOP CHIUDE STOP)

La seguente serie di morsetti è presente solo sulla versione **A700F**

- 29** : Apre = Ingresso per apertura (eventualmente comandata da un orologio)
- 30** : Chiude = Ingresso per chiusura
- 41-42** : 2° Ch Radio = Uscita dell'eventuale secondo canale del ricevitore radio
- 43-44** : Antenna = Ingresso per l'antenna del ricevitore radio

Sulla scheda della centrale sono presenti due connettori ad innesto previsti per schede opzionali:

RADIO = Innesto per ricevitori radio prodotti da **Nice**

PIU' = Innesto per scheda espansioni **PIU'** (solo sulla versione **A700F**)

E' consigliabile attendere di aver completato l'installazione per inserire le eventuali schede opzionali **RADIO** o **PIU'** e solo dopo aver verificato la funzionalità dell'impianto. Le schede opzionali non sono necessarie al funzionamento e se inserite rendono più difficile la ricerca di eventuali guasti.

3.5) Note sui collegamenti

La maggior parte dei collegamenti è estremamente semplice, buona parte sono collegamenti diretti ad un singolo utilizzatore o contatto, alcuni invece prevedono una connessione un po' più complessa:

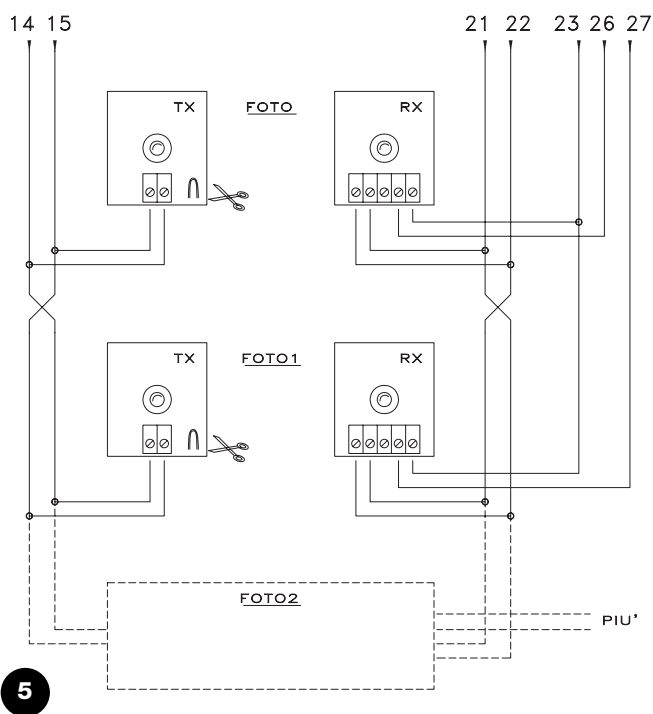
Tutti i motori di tipo asincrono monofase richiedono un condensatore per il corretto funzionamento, alcuni motoriduttori, hanno già questo condensatore collegato internamente, altri invece richiedono il collegamento del condensatore esternamente. In questo caso il condensatore va collegato fra le fasi APRE e CHIUDE del motore. Per praticità è opportuno inserire il condensatore direttamente dentro alla centrale negli appositi spazi.

La seguente parte è relativa solo alla versione A700F

Una particolare descrizione merita venga rivolta all'uscita "Fototest", questa non è altro che la massima soluzione possibile in termini di affidabilità nei confronti dei dispositivi di sicurezza. Ogni volta che viene avviata una manovra vengono controllati i dispositivi di sicurezza coinvolti e solo se tutto è a posto la manovra ha inizio. Se invece il test non da esiti positivi (fotocellula accecata dal sole, cavi in corto circuito ecc.) viene individuato il guasto e la manovra non viene eseguita.

Tutto questo è possibile solo impiegando una determinata configurazione nei collegamenti dei dispositivi di sicurezza (Fig. 5).

Come si può notare dallo schema elettrico, mentre i ricevitori delle fotocellule FOTO, FOTO1 ed eventuale FOTO2 (su scheda PIU') sono alimentati normalmente dai 24 Vac dei servizi, i trasmettitori prendono alimentazione dall'uscita fototest. Quando è richiesto un movimento, in primo luogo viene controllato che tutti i ricevitori interessati dal movimento diano il consenso, poi, viene spenta l'uscita fototest e quindi verificato che tutti i ricevitori segnalino il fatto togliendo il loro consenso; infine viene riattivata l'uscita fototest e quindi nuovamente verificato il consenso da parte di tutti i ricevitori. Come si può notare sui due trasmettitori è stato attivato il sincronismo tagliando gli appositi ponticelli, questo è l'unico metodo per garantire che le due coppie di fotocellule non si interferiscano tra loro. Verificare sul manuale delle fotocellule le istruzioni per il funzionamento sincronizzato.



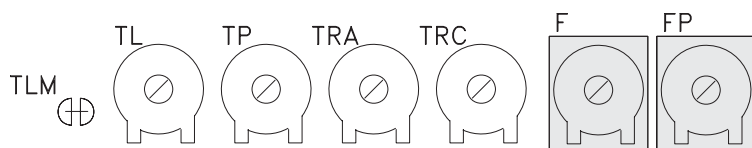
5

Nel caso un ingresso "FOTO" non venga usato, il relativo morsetto va ponticellato attraverso un relè 24 Vca collegato sull'uscita fototest.

- Solitamente nei cancelli a 2 ante si impiegano motoriduttori che non richiedono l'uso dei finecorsa, è normale installare degli arresti meccanici che fermano il movimento nel punto desiderato. Nella centrale poi è presente il trimmer "Tempo Lavoro" che normalmente è regolato per un tempo poco superiore al tempo necessario per la completa manovra. Quando l'anta giunge sull'arresto meccanico il motore si blocca e rimane sotto sforzo per il tempo residuo; i motori sono sempre progettati per resistere senza alcun problema a questo tipo di sollecitazione in particolare se la forza viene posta a valori inferiori al 100 %.
- In alcune installazioni, per esempio nel caso di due ante scorrevoli o nel caso si desideri sfruttare la funzione di posizionamento, potrebbe essere richiesto l'uso dei finecorsa. Nella maggior parte dei casi, se vengono usati i finecorsa, sono di tipo normalmente chiuso "NC" in modo che un eventuale guasto provoca la fermata del motore senza che l'anta possa andare ad incagliarsi. In altri casi, ad esempio quando si usano contatti di tipo magnetico, può capitare di dover usare finecorsa di tipo normalmente aperto "NA". Per abilitare la centrale all'uso dei finecorsa NA è necessario tagliare il ponticello FC presente sulla scheda (Fig 2). Questo stesso ponticello può essere tagliato anche nel caso i finecorsa non vengano utilizzati per evitare così di fare i relativi ponticelli.
- A seconda del tipo di motoriduttore e della funzione che si desidera ottenere i finecorsa possono essere impiegati come indicatore del punto di fine movimento (funzione finecorsa) oppure come segnalazione del punto di inizio della funzione posizionamento. Se usati come posizionamento i finecorsa vanno di norma posti ad un angolo di 10-20° dal punto di arresto ed indicano il punto in cui ai motori verrà applicata una forza ancora più bassa e regolabile con l'apposito trimmer FORZA POSIZIONAMENTO, in modo da raggiungere l'arresto meccanico con la minor violenza possibile.

4) Regolazioni

- TLM** = Ponticello Tempo Lavoro Maggiorato
- TL** = Tempo Lavoro
- TP** = Tempo Pausa
- TRA** = Tempo Ritardo Apertura
- TRC** = Tempo Ritardo Chiusura
- F** = Forza
- FP** = Forza Posizionamento



Se il cancello è composto da 2 ante che si possono incagliare se in apertura partono contemporaneamente o se in chiusura una si sovrappone all'altra, allora è necessario intervenire sulle regolazioni dei trimmer Tempo Ritardo Apertura "TRA" o Tempo Ritardo Chiusura "TRC". Questi trimmer possono essere regolati a piacere anche se di norma TRA va regolato per lo stretto necessario a che l'anta moscia dal 2° motore sia già fuori zona d'ingombro quando parte il 1° motore.

Il trimmer TRC deve essere regolato in modo che in chiusura l'anta del 2° motore giunga sempre quando il 1° motore ha già terminato la manovra di chiusura.

Il Tempo Ritardo Chiusura può essere impiegato per realizzare il franco di sicurezza di 50 cm in chiusura tra le ante.

A questo punto selezionare il modo di funzionamento "Semiautomatico" spostando in On il dip-switch N°1 quindi regolare il trimmer Tempo Lavoro circa a metà corsa. Con queste regolazioni provare un intero ciclo di apertura e poi uno di chiusura, eventualmente intervenire sulla regolazione del trimmer Tempo Lavoro in modo tale che sia sufficiente ad eseguire tutta la manovra e rimanga ancora un margine di tempo di 2 o 3 secondi. Nel caso anche ponendo al massimo il trimmer non si ottenga un tempo sufficiente e possibile tagliare il ponticello TLM posto sullo stampato vicino al trimmer ed ottenere così un tempo lavoro maggiorato.

In alcuni tipi di attuatori, ad esempio il tipo oleodinamico, la regolazione della forza è prevista direttamente sul gruppo attuatore, consultare il relativo manuale di istruzioni per chiarimenti sulla regolazione, quindi lasciare la regolazione di forza interna alla centrale impostata per il massimo. Per tutti quei tipi di attuatori che non contengono un dispositivo di regolazione di forza è invece possibile sfruttare il sistema di regolazione di forza interno alla centrale: in base alla versione della centrale impiegata seguire le relative istruzioni.

La seguente parte è relativa solo alla versione A6

Sulla centrale è presente un trimmer FORZA che normalmente è posto per la massima forza, con un cacciavite ruotare il trimmer in senso antiorario fino a ridurre la forza del motore al valore previsto dalle normative.

La seguente parte è relativa solo alle versioni A6F e A700F

Sulla centrale è presente un autotrasformatore di adeguata potenza con delle prese intermedie sull'avvolgimento primario selezionabili attraverso apposito commutatore FORZA, spostare il commutatore sulla posizione più adatta al fine di ridurre la forza del motore al valore previsto dalle normative.

Qualunque sia il sistema di regolazione della forza per la fase iniziale del movimento e per una durata di 1,5 Sec viene data il massimo della forza, solo dopo questo tempo definito di "Spunto" viene inserita la forza prevista.

Se viene selezionato il modo di funzionamento in automatico (dip-switch N° 2 On) al termine della manovra di apertura viene eseguita una "pausa" al termine della quale viene lanciata automaticamente una manovra di chiusura. Questo tempo nel quale il cancello rimane aperto è regolabile dall'apposito trimmer TEMPO PAUSA che può essere impostato per il tempo preferito senza alcuna limitazione di sorta. Una chiusura automatica e quindi la relativa pausa viene attivata anche nel movimento in semiautomatico quando, in chiusura, l'intervento di un dispositivo di sicurezza provoca una inversione del movimento in apertura.

Solo ora, al termine di tutte le regolazioni consigliamo di inserire l'eventuale ricevitore radio ricordando che i comandi da esso provenienti vengono inviati all'ingresso PASSO-PASSO.

4.1) Modi di funzionamento

Nota: alcune delle parti descritte a seguito sono relative solo alla versione **A700F**

Nel funzionamento in modo manuale, l'ingresso APRE consente il movimento in apertura, l'ingresso CHIUDE consente il movimento in chiusura. il PASSO P. consente il movimento alternativamente in apertura e in chiusura; non appena cessa il comando in ingresso il movimento si arresta. In apertura il movimento si arresta quando intervengono i fincorsa oppure se manca il consenso dalla FOTO2 (su scheda PIU); in chiusura invece il movimento si arresta anche se manca il consenso di FOTO e FOTO1. Sia in apertura che in chiusura un intervento su ALT provoca sempre un immediato arresto del movimento e una breve inversione. Una volta che un movimento si è arrestato è necessario far cessare il comando in ingresso prima che un nuovo comando possa far iniziare un nuovo movimento.

Nel funzionamento in uno dei modi automatici (semiautomatico, automatico o chiude sempre) un impulso di comando sull'ingresso APRE provoca il movimento in apertura, se il comando permane una volta raggiunta l'apertura il movimento rimane "congelato" in una pausa infinita; solo quando cessa il comando il cancello si potrà essere richiuso.

Un impulso su PASSO PASSO provoca alternativamente apertura o chiusura. Un secondo impulso sul PASSO P. o sullo stesso ingresso che ha iniziato il movimento provoca uno Stop.

Sia in apertura che in chiusura un intervento su ALT provoca un immediato arresto del movimento e una breve inversione.

Se in un ingresso di comando invece di un impulso viene mantenuto un segnale continuo si provoca uno stato di "prevalenza" in cui gli altri ingressi di comando rimangono disabilitati (utile per collegare un orologio o un selettore Notte-Giorno).

Nel caso fosse selezionato il modo di funzionamento automatico, dopo una manovra di apertura, viene eseguita una pausa al termine viene eseguita una chiusura. Se durante la pausa vi fosse un intervento di FOTO o FOTO1, il temporizzatore verrà ripristinato con un nuovo tempo pausa; se invece durante la pausa si interviene su ALT la funzione di richiusura viene cancellata e si passa in uno stato di STOP. In apertura gli interventi di FOTO o FOTO1 non hanno alcun effetto mentre la FOTO2 (su scheda PIU) provoca l'inversione del moto; in chiusura l'intervento di FOTO o FOTO1 provoca una inversione del moto poi una pausa quindi una richiusura.

5) Programmazioni

La centrale dispone di una serie di microinterruttori che permettono di attivare varie funzioni al fine di rendere l'impianto più adatto alle esigenze dell'utilizzatore e più sicuro nelle varie condizioni d'uso. Tutte le funzioni sono attivate ponendo il relativo dip-switch in posizione "On" mentre non sono inserite con il corrispondente dip-switch in "Off"; alcune funzioni non hanno una immediata efficacia ed hanno senso solo in determinate condizioni, ad esempio la funzione N° 12 "Lampeggiante anche in pausa" è attiva solo con la chiusura automatica e se la manovra non viene interrotta con un comando di ALT.

⚠ ATTENZIONE alcune delle funzioni programmabili solo legati ad aspetti della sicurezza, valutare con molta attenzione gli effetti di una funzione e verificare quale sia la funzione che dia la maggior sicurezza possibile.

Nella manutenzione di un impianto prima di modificare una funzione programmabile valutare il motivo per cui nella fase di installazione erano state fatte determinate scelte, quindi verificare se con la nuova programmazione la sicurezza ne risente.

5.1) Funzioni programmabili

Il dip-switch FUNZIONI permette di selezionare i vari modi di funzionamento e di inserire le funzioni desiderate secondo la seguente tabella:

Switch 1-2:	Off Off	= Movimento "Manuale" cioè Uomo Presente
	On Off	= Movimento "Semiautomatico"
	Off On	= Movimento "Automatico" cioè Chiusura Automatica
	On On	= Movimento "Automatico + Chiude Sempre"
Switch 3	On	= Funzionamento Condominiale < Non disponibile in modo Manuale >
Switch 4	On	= Prelampeggio
Switch 5	On	= Richiudi subito dopo Foto < solo in modo Automatico >
Switch 6	On	= Foto1 anche in apertura
Switch 7	On	= Partenza graduale
Switch 8	On	= Fermata graduale
Switch 9	On	= Colpo d'ariete
Switch 10	On	= Luce di cortesia su lampeggiante

Nella versione A700F è presente un secondo gruppo di dip-switch con altre funzioni:

Switch 11	On	= Funzione posizionamento < solo con l'utilizzo dei finecorsa >
Switch 12	On	= Lampeggiante anche in Pausa < solo in modo Automatico >
Switch 13	On	= Mantenimento pressione
Switch 14	On	= Spia C.A. con lampeggio proporzionale
Switch 15	On	= Attivazione Fototest
Switch 16	On	= Foto e Foto1 anche in apertura
Switch 17	On	= Foto e Foto1 ad inizio manovra di apertura
Switch 18	On	= Salta STOP in apre
Switch 19	On	= Salta STOP in chiude
Switch 20	On	= CHIUDE diventa APRE PEDONALE

Ricordiamo che le funzioni che sono possibili solo in determinati casi sono segnalate con le note tra i caratteri "<>" dopo la descrizione della funzione.

Naturalmente ogni dip-switch posto in "Off" non attiva la funzione descritta.

5.2) Descrizione delle funzioni

Riportiamo ora una breve descrizione delle funzioni che si possono inserire portando in "On" il relativo dip-switch

Switch 1-2:	Off Off	= Movimento "Manuale" (Uomo Presente)
	On Off	= Movimento "Semiautomatico"
	Off On	= Movimento "Automatico" (Chiusura Automatica)
	On On	= Movimento "Automatico + Chiude Sempre"

Nel funzionamento "Manuale" il movimento viene eseguito solo fino alla presenza del comando (tasto premuto).

In "Semiautomatico" basta un impulso di comando e viene eseguito tutto il movimento fino al raggiungimento dell'arresto meccanico o fino all'intervento del finecorsa. Nel funzionamento in modo "Automatico" dopo una apertura viene eseguita una pausa e quindi una chiusura. La funzione "Chiude Sempre" interviene dopo una mancanza momentanea di alimentazione; se viene rilevato il cancello aperto si avvia automaticamente una manovra di chiusura preceduta da 5 secondi di prelampeggio.

Switch 3: On = Funzionamento Condominiale (non disponibile in modo Manuale)

Nel funzionamento condominiale, una volta avviato un movimento in apertura la manovra non può più essere interrotta da altri impulsi di comando su PASSO PASSO o APRE fino alla fine del movimento in apertura. Nel movimento in chiusura un nuovo impulso di comando provoca l'arresto e l'inversione del movimento in apertura.

Switch 4: On = Prelampeggio

All'impulso di comando viene prima attivato il lampeggiante poi dopo 5 secondi (2 Sec. se in manuale) inizia il movimento.

Switch 5: On = Richiudi subito dopo Foto (solo se in modo Automatico)

Questa funzione permette di tenere il cancello aperto solo per il tempo necessario al transito, infatti dopo l'intervento di FOTO o FOTO1 la chiusura avverrà sempre con una pausa di 5 secondi indipendentemente dal Tempo Pausa regolato.

Switch 6: On = Foto1 anche in apertura

Questa funzione è l'unica che diversifica il funzionamento tra le fotocellule FOTO e FOTO1. Normalmente le sicurezze FOTO e FOTO1 intervengono solo nella manovra di chiusura mentre in apertura non hanno alcun effetto.

Se il dip-switch N° 6 viene posto "On" FOTO continua ad intervenire solo in chiusura ma FOTO1 interviene anche in apertura provocando una interruzione del movimento. In semiautomatico od automatico la ripresa del moto avverrà quando FOTO1 verrà nuovamente disimpegnata. Questo tipo di funzionamento ritorna utile per arrestare il moto del cancello in apertura, quando, per esempio un veicolo si avvicina al cancello dal lato interno e quindi nella direzione del movimento, senza nello stesso tempo fermare il movimento quando il veicolo si avvicina dal lato esterno.

Switch 7: On = Partenza graduale

L'inizio del movimento viene eseguito in modo graduale inviando una forza sempre maggiore al motore formando una rampa che dura di circa 1 Sec, questo garantisce che la partenza avvenga senza scossoni. (Funzione sconsigliata su motoriduttori METRO).

Switch 8: On = Fermata graduale

Quando il movimento termina viene eseguita una fermata in modo graduale inviando una forza sempre minore al motore con un decremento che dura circa 1 Sec, questo garantisce che la fermata avvenga senza scossoni.

Per ovvi motivi di sicurezza la fermata graduale non avviene, e viene sostituita da una fermata normale, quando interviene ALT, FOTO e FOTO1o FOTO2 (su scheda PIU') oppure uno dei finecorsa.

Switch 9: On = Colpo d'ariete

Quando si impiegano attuatori reversibili, quindi il cancello non rimane chiuso con la sola spinta dei motori, diventa indispensabile installare una elettroserratura (vedere le istruzioni degli attuatori per le modalità d'uso).

Sull'elettroserratura si potrebbe così trovare applicata quella naturale spinta che tende a portare le ante in posizione leggermente aperta, talvolta questa spinta è così elevata da mantenere bloccato il meccanismo di scatto dell'elettroserratura.

Con la funzione colpo d'ariete inserita, prima di iniziare una manovra di apertura viene attivato un breve ciclo di chiude, che comunque non crea alcun effetto di movimento visto che le ante sono già sull'arresto meccanico di chiusura. In questo modo quando l'elettroserratura viene attivata si troverà scarica da qualsiasi forza e quindi libera di scattare.

Switch 10: On = Luce di cortesia su lampeggiante

In determinati casi può essere richiesto una illuminazione sulla zona di movimento del cancello e spesso si richiede che l'illuminazione si spenga automaticamente poco dopo che il cancello ha concluso la manovra. Questa funzione viene comunemente definita "Luce di cortesia". Collegando degli appropriati corpi illuminanti sulla stessa uscita del lampeggiante (per una potenza massima complessiva di 100 W) ed attivando questa funzione si otterrà che durante tutto il movimento e per altri 60 Sec. l'uscita rimarrà attiva permettendo l'illuminazione della zona.

Solo nella versione **A700F** è presente un secondo gruppo di dip-switch con altre funzioni:

Switch 11: On = Funzione posizionamento (solo con l'utilizzo dei finecorsa)

I finecorsa possono essere impiegati, invece che come segnalazione dei limiti del movimento, come indicazione del punto in cui scatta il posizionamento. Di norma quando si usa la funzione posizionamento i finecorsa vengono posti ad un angolo di 10-20° prima dell'arresto meccanico. In questo modo quando nel movimento dell'anta si raggiunge il finecorsa al motore verrà inviata una forza minore, regolabile con l'apposito trimmer "Forza Posizionamento", per un tempo di altri 3 Sec. in modo che l'anta raggiunga l'arresto meccanico con la minor violenza possibile.

Switch 12: On = Lampeggiante anche in Pausa

Normalmente il lampeggiante viene attivato solo durante il movimento in apertura o chiusura, questa funzione prevede che il lampeggiante rimanga attivo anche durante la Pausa allo scopo di segnalare lo stato di "prossima chiusura".

Switch 13: On = Mantenimento pressione

Negli attuatori oleodinamici la spinta per mantenere chiuso il cancello è sviluppata in un circuito idraulico che rimane sempre sotto pressione. Quando il tempo e l'usura riducono la tenuta del circuito idraulico può capitare che dopo qualche ora la pressione interna decada con conseguente rischio di leggera apertura delle ante del cancello. Se si inserisce la funzione Mantenimento Pressione, dopo 4 ore, poi ogni 4 ore che il cancello è chiuso viene attivata una breve manovra di chiude con il solo scopo di ricaricare la pressione del circuito idraulico.

NOTA: Le funzioni "Colpo d'ariete" e "Mantenimento pressione" hanno senso e vengono eseguite solo se il cancello è chiuso. La logica interna considera cancello chiuso se c'è il relativo finecorsa FCC intervenuto o, nel caso i finecorsa non siano usati, dal fatto che la precedente manovra di chiusura è terminata regolarmente per fine del tempo lavoro.

Switch 14: On = Spia C.A. con lampeggio proporzionale
Normalmente la Spia Cancellato Aperto indica lo stato del cancello secondo i seguenti stati:

Spenta: Cancellato completamente chiuso

Accesa: Cancellato anche solo parzialmente aperto

Lampeggio lento: Cancellato in fase di apertura

Lampeggio veloce: Cancellato in fase di chiusura

Il lampeggio della spia durante il movimento può essere reso proporzionale, da lento, progressivamente a veloce e viceversa in modo di avere un'indicazione dello stato di apertura o chiusura.

Switch 15: On = Attivazione Fototest

Permette di avviare una fase di test sulle fotocellule prima di iniziare ogni movimento, in questo modo eliminando ogni possibilità di mal-funzionamento si aumenta la sicurezza dell'impianto. Per sfruttare la funzione Fototest è necessario che i trasmettitori delle fotocellule siano collegati all'apposita uscita (vedere: Note dei collegamenti).

Switch 16: On = Foto e Foto1 anche in apertura

Normalmente le sicurezze FOTO e FOTO1 intervengono solo nella manovra di chiusura, se il dip-switch N° 16 viene attivato l'intervento dei dispositivi di sicurezza provocano una interruzione del movimento anche in apertura, se in Semiautomatico od Automatico si avrà la ripresa nuovamente del moto in apertura subito dopo il disimpegno.

Switch 17: On = Foto e Foto1 ad inizio manovra di apertura

Solitamente i dispositivi di sicurezza FOTO e FOTO1 non sono attivi nella manovra di apre ma solo nella manovra di chiude perchè la più pericolosa. In alcune nazioni vi sono delle normative che impongono il controllo dei dispositivi di sicurezza almeno all'inizio anche della manovra di apre. Se è necessario rispettare queste norme o si desidera aumentare il livello di sicurezza e possibile attivare la funzione e quindi prima di iniziare il movimento, verificare il consenso dalle sicurezze FOTO e FOTO1 e solo dopo iniziare il movimento.

Switch 18: On = Salta STOP in apre

Il ciclo del Passo Passo è normalmente: APRE-STOP-CHIUDE-STOP, con questa funzione inserita il ciclo Passo Passo diventa: APRE-CHIUDE-STOP-APRE, mentre l'ingresso Apre perde la possibilità di fare STOP

Switch 19: On = Salta STOP in chiude

E' come la funzione precedente ma relativa al ciclo chiude, quindi il ciclo Passo Passo diventa: APRE-STOP-CHIUDE -APRE, mentre l'ingresso Chiude perde la possibilità di fare STOP

NOTA: Ponendo On i dip-switch 18 e 19 il ciclo passo passo diventa APRE-CHIUDE-APRE perdendo definitivamente la possibilità di fare STOP.

Switch 20: On = CHIUDE diventa APRE PEDONALE

Può capitare che non sia necessario aprire completamente il cancello ad esempio quando deve transitare un pedone in questo caso diventa utile la funzione di APRE PEDONALE che permette di aprire solo l'anta collegata al 2° motore lasciando l'altra chiusa.

Questo tipo di apertura viene attivata dall'ingresso CHIUDE che perde la sua funzione originale per diventare come l'ingresso Passo-Passo ma per l'apertura di una sola anta. E' da precisare che il ciclo di apre pedonale si attiva solo partendo da cancello chiuso se invece il cancello è in movimento o comunque aperto l'impulso di ingresso non ha alcun effetto.

ACCESSORIO: SCHEDA ESPANSIONI "PIÙ"

La centrale elettronica dispone di tutte le principali funzioni richieste in una normale automazione, nella versione A700F è stata prevista la possibilità di aggiungere la scheda opzionale PIU' che permette di aumentare la prestazione della centrale.

La seguente parte è relativa solo alla versione **A700F**

La scheda va innestata nell'apposito connettore sulla centrale, quindi sui morsetti della scheda sono disponibili:

- | | | |
|------------------------|------------------|--|
| • I seguenti ingressi: | Foto 2 | = Dispositivo di sicurezza con intervento nella manovra di apertura |
| | Apri Parziale | = Eseguire una manovra di apertura con un tempo ridotto |
| • Le seguenti uscite: | Rosso | = Luce rossa del semaforo |
| | Verde | = Luce verde del semaforo |
| | Elettroserratura | = Comando dell'elettroserratura (visto che la centrale dispone già di questa uscita la funzione è stata modificata in "Ventosa" per collegare quei dispositivi di ritenuta magnetica che si usano in alternativa all'elettroserratura) |
| | Luce di Cortesia | = Comando di una lampada con funzione di luce di cortesia |
- Nota: Le uscite possono comandare solo carichi di piccola potenza (lampade spia, relè ecc.)
- | | | |
|------------------------------|----------------|---------------------------------|
| • e le seguenti regolazioni: | Tempo Parziale | = Tempo per l'apertura parziale |
| | Tempo Cortesia | = Tempo per la luce di cortesia |

Le caratteristiche complete e la modalità d'uso della scheda sono riportate nel relativo manuale di istruzioni.

6) Collaudo

Terminati i collegamenti dei motori e dei vari accessori previsti è possibile passare alla verifica di tutti i collegamenti ed al collaudo dell'impianto.

⚠ Questa è la fase più importante nella realizzazione dell'automazione al fine di garantire la massima sicurezza. Il collaudo può essere usato anche come verifica periodica dei dispositivi che compongono l'automatismo.

Il collaudo dell'intero impianto deve essere eseguito da personale esperto e qualificato che deve farsi carico delle prove richieste, in funzione del rischio presente e di verificare il rispetto di quanto previsto da leggi, normative e regolamenti, ed in particolare tutti i requisiti della norma EN12445 che stabilisce i metodi di prova per la verifica degli automatismi per cancelli.

Si consiglia di operare in modo manuale con tutte le funzioni disattivate (dip-switch Off); per ogni eventualità, in modo manuale, rilasciando il tasto di comando si ottiene l'immediato arresto del motore. Verificare anche che tutti i trimmer di regolazione siano al minimo (ruotati in senso antiorario) solo il trimmer FORZA (su **A6**) o il commutatore FORZA (su **A6F** e **A700F**) può essere posto al massimo, il trimmer Forza Posizionamento (su **A700F**) va posto a metà corsa.

Ogni singolo componente dell'automatismo, ad esempio bordi sensibili, fotocellule, arresto di emergenza, ecc. richiede una specifica fase di collaudo; per questi dispositivi si dovranno eseguire le procedure riportate nei rispettivi manuali istruzioni.

Verificare che sia stato rispettato rigorosamente tutto quanto previsto nel presente manuale ed in particolare nel capitolo "1 Avvertenze";

- A)** Sbloccare il cancello e portare le ante a metà della corsa poi bloccare, in questo modo il cancello è libero di muoversi sia in apertura che in chiusura.
- B)** Alimentare la centrale, verificare che tra morsetti 1-2 e 1-3 vi siano 230Vac / 120Vac e che sui morsetti 21-22 vi siano 24 Vca.

La seguente parte è relativa solo alla versione **A700F**

- C)** Verificare che sui morsetti 14-15 sia presente una tensione di 24 Vac per alimentazione trasmettitori delle fotocellule.

Non appena la centrale è alimentata le spie luminose (LED) che sono poste sugli ingressi attivi devono illuminarsi, inoltre dopo pochi istanti il led "OK" dovrà iniziare a lampeggiare con cadenza regolare. Se tutto questo non avviene, togliere immediatamente alimentazione e controllare con maggior attenzione i collegamenti.

- Il led "OK" posizionato al centro della scheda, ha il compito di segnalare lo stato della logica interna: un lampeggio regolare ed

alla cadenza di 1 secondo indica che il microprocessore interno è attivo ed è in attesa di comandi. Quando invece lo stesso microprocessore riconosce una variazione dello stato di un ingresso (sia ingresso di comando che dip-switch delle funzioni) genera un doppio lampeggio veloce, questo anche se la variazione non provoca effetti immediati. Un lampeggio molto veloce per 3 secondi indica che la centrale è appena stata alimentata e sta eseguendo un test delle parti interne, infine un lampeggio irregolare e non costante indica che il test non è andato a buon fine e quindi c'è un guasto.

- D)** Ora verificare che i led relativi agli ingressi con contatti tipo NC siano accesi (tutte le sicurezze attive) e che i led relativi ad ingressi tipo NA siano spenti (nessun comando presente), se questo non avviene controllare i collegamenti e l'efficienza dei vari dispositivi.

- E)** Verificare il corretto funzionamento di tutti i dispositivi di sicurezza presenti nell'impianto (arresto di emergenza, fotocellule, coste pneumatiche ecc.), ogni volta che intervengono, i relativi led ALT, FOTO o FOTO1 devono spegnersi.

- Questa è una verifica fra le più importanti e deve essere eseguita con la massima attenzione, dal corretto funzionamento dei dispositivi di sicurezza dipende tutta la sicurezza "attiva" della macchina cancello. Se il lampeggiante è un ottimo strumento per segnalare lo stato di pericolo ed i limitatori di coppia sono un valido ausilio per limitare i danni, solo una corretta installazione dei dispositivi di sicurezza permette di bloccare l'automatismo prima che possa provocare danni.

La seguente parte è relativa solo alla versione **A700F**

- F)** Se vengono utilizzati gli ingressi finecorsa bisogna verificare l'esattezza dei collegamenti. Muovere le ante una alla volta e verificare che una volta raggiunto il punto desiderato il relativo finecorsa intervenga spegnendo il corrispondente led sulla centrale (o accendendolo se sono montati dei finecorsa NA).

- Ora bisognerà verificare se il movimento avviene nella direzione corretta cioè controllare la corrispondenza tra il movimento previsto dalla centrale e quello effettivo delle ante. Questa verifica è fondamentale, se la direzione è sbagliata in alcuni casi (ad esempio in modo semiautomatico) il cancello potrebbe in apparenza funzionare regolarmente infatti il ciclo APRE è simile al ciclo CHIUDI con la fondamentale differenza che i dispositivi di sicurezza verranno ignorati nella manovra di chiude, che normalmente è la più pericolosa, ed interverranno in apertura provocando una richiusura addosso all'ostacolo con effetti disastrosi!

G) Per verificare se il senso di rotazione è esatto basta dare un breve impulso sull'ingresso Passo-Passo; la prima manovra che la centrale esegue dopo che è stata alimentata è sempre APRE, quindi è sufficiente verificare se il cancello si muove nel senso dell'apertura; infine nel caso il movimento sia avvenuto in senso errato occorre:

- 1 - Spegnerne alimentazione
- 2 - Scambiare i collegamenti "APRE" e "CHIUDE" del motore o dei motori che ruotavano in senso contrario.

Eseguito quanto descritto conviene riprovare se il senso di rotazione è corretto ripetendo l'operazione del punto "G".

H) Verificati tutti i collegamenti ed eseguita la verifica del senso di rotazione dei motori è possibile provare un movimento completo degli attuatori, si consiglia di operare sempre in modo manuale con tutte le funzioni disattivate. Se si usa come comando l'ingresso Passo Passo il primo movimento (dopo l'accensione) dovrà essere in apertura. Agendo sugli ingressi di comando movimentare il cancello fino al punto di apertura, se tutto si è svolto regolarmente è possibile passare al movimento in senso di chiusura e muovere il cancello fino al relativo punto di arresto.

Conviene eseguire diverse manovre apre-chiude al fine di valutare eventuali difetti nella struttura meccanica dell'automazione e di rilevare la presenza di particolari punti di attrito.

I) Passare ora a provare l'intervento dei dispositivi di sicurezza, FOTO e FOTO1 nella manovra di apertura non hanno alcun effetto, in chiusura provocano la fermata del movimento. Se presente la scheda PIU' provare anche il funzionamento dell'ingresso FOTO 2, in chiusura non ha alcun effetto, in apertura provoca la fermata del movimento. I dispositivi collegati nell'ingresso ALT agiscono sia in apertura che in chiusura provocando sempre la fermata del movimento.

L) Se le situazioni pericolose provocate dal movimento delle ante sono state salvaguardate mediante la limitazione della forza d'impatto si deve eseguire la misura della forza secondo quanto previsto dalla norma EN 12445. Se il controllo della "Forza Motore" vengono usati come ausilio al sistema per la riduzione della forza d'impatto, provare e trovare le regolazioni che offrono i migliori risultati.

6.1) Messa in servizio

La messa in servizio può avvenire solo dopo aver eseguito con esito positivo tutte le fasi di collaudo della centrale e degli altri dispositivi presenti.

E' vietata la messa in servizio parziale o in situazioni "provvisorie".

1. Realizzare e conservare per almeno 10 anni il fascicolo tecnico dell'automazione che dovrà comprendere almeno: disegno complessivo dell'automazione, schema dei collegamenti elettrici, analisi dei rischi e relative soluzioni adottate, dichiarazione di conformità del fabbricante di tutti i dispositivi utilizzati (per **A6 - A6F - A700F** utilizzare la Dichiarazione CE di conformità allegata); copia del manuale di istruzioni per l'uso e del piano di manutenzione dell'automazione.

2. Apporre sul cancello una targhetta contenente almeno i seguenti dati: tipo di automazione, nome e indirizzo del costruttore (responsabile della "messa in servizio"), numero di matricola, anno di costruzione e marchio "CE".

3. Fissare in maniera permanente in prossimità del cancello un'etichetta o una targa con indicate le operazioni per lo sblocco e la manovra manuale.

4. Realizzare e consegnare al proprietario la dichiarazione di conformità dell'automazione.

5. Realizzare e consegnare al proprietario il manuale di "Istruzioni ed avvertenze per l'uso dell'automazione".

6. Realizzare e consegnare al proprietario il piano di manutenzione dell'automazione (che deve raccogliere tutte le prescrizioni sulla manutenzione dei singoli dispositivi installati).

7. Prima di mettere in servizio l'automatismo informare adeguatamente ed in forma scritta il proprietario (ad esempio sul manuale di istruzioni ed avvertenze per l'uso dell'automazione) sui pericoli ed i rischi residui ancora presenti.

7) Manutenzione e smaltimento

⚠ In questo capitolo sono riportate le informazioni per la realizzazione del piano di manutenzione e lo smaltimento di A6 - A6F - A700F

7.1) Manutenzione

Per mantenere costante il livello di sicurezza e per garantire la massima durata dell'intera automazione è necessaria una manutenzione regolare.

La manutenzione deve essere effettuata nel pieno rispetto delle prescrizioni sulla sicurezza del presente manuale e secondo quanto previsto dalle leggi e normative vigenti.

Per gli altri dispositivi diversi da **A6 - A6F - A700F** seguire quanto previsto nei rispettivi piani manutenzione.

1. E' necessaria una manutenzione programmata al massimo entro 6 mesi o al massimo dopo 10.000 manovre dalla precedente manutenzione.

2. Scollegare qualsiasi sorgente di alimentazione elettrica.

3. Verificare lo stato di deterioramento di tutti i materiali che compongono l'automazione con particolare attenzione a fenomeni di erosione o di ossidazione delle parti strutturali; sostituire le parti che non forniscono sufficienti garanzie.

4. Ricollegare le sorgenti di alimentazione elettrica ed eseguire tutte le prove e le verifiche previste nel paragrafo " 6 Collaudo".

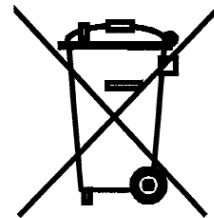
7.2) Smaltimento

Come per l'installazione, anche al termine della vita di questo prodotto, le operazioni di smantellamento devono essere eseguite da personale qualificato.

Questo prodotto è costituito da vari tipi di materiali, alcuni possono essere riciclati altri devono essere smaltiti; informatevi sui sistemi di riciclaggio o smaltimento previsti dai regolamenti locali per questa categoria di prodotto.

⚠ Alcune parti del prodotto possono contenere sostanze inquinanti o pericolose, se disperse potrebbero provocare effetti dannosi sull'ambiente e sulla salute umana.

Come indicato dal simbolo di figura è vietato gettare questo prodotto nei rifiuti domestici. Eseguire la "raccolta separata" per lo smaltimento secondo i metodi previsti dai regolamenti locali; oppure riconsegnare il prodotto al venditore nel momento dell'acquisto di un nuovo prodotto equivalente.



Regolamenti locali possono prevedere pesanti sanzioni in caso di smaltimento abusivo di questo prodotto.

8) Accessori

Per **A6 – A6F – A700F** sono previsti i seguenti accessori opzionali:

SCHEDA "PIU"

La centrale contiene già tutte le funzioni che vengono utilizzati in una normale installazione, ma per sopperire alle richieste di utilizzo in impianti particolari, è stata predisposta una scheda opzionale "Scheda PIU" che permette di aggiungere nuove funzioni quali segnalazione semaforica, luce di cortesia, ventosa, Foto2, apertura parziale delle 2 ante.

SCHEDA "RADIO"

Nelle centrale è predisposto un connettore ad innesto Nice per l'inserimento di una scheda radio che permette di agire sull'ingresso di PASSO-PASSO e comandare in questo modo la centrale a distanza tramite un trasmettitore.

Consultare il catalogo prodotti di Nice S.p.a. per l'elenco completo ed aggiornato degli accessori.

9) Caratteristiche tecniche

Con lo scopo di migliorare i propri prodotti, Nice S.p.a si riserva il diritto di modificare le caratteristiche tecniche in qualsiasi momento e senza preavviso pur mantenendo funzionalità e destinazione d'uso.

Tutte le caratteristiche tecniche riportate si riferiscono alla temperatura ambientale di 20°C (±5°C).

Modello:	A6 -A6/V1	A6F -A6F/V1	A700F -A700F/V1
Alimentazione A6 – A6F – A700F	230 Vac ± 10%, 50 - 60 Hz		
Alimentazione A6/V1 – A6F/V1 - A700F/V1	120 Vac ± 10%, 50 - 60 Hz		
Potenza massima attuatori 230 Vac	300 W [1,3 A]		
Potenza massima attuatori / V1 120 Vac	300 W [2,5 A]		
Potenza massima lampeggiante	100W		
N° massimo cicli ora	illimitato		
N° massimo cicli consecutivi	illimitato		
Corrente massima servizi (24 Vac)	200 mA		
Corrente massima uscita fototest (24 Vac)	/	/	100 mA
Potenza massima spia SCA (24Vac)	2 W		
Potenza massima elettroserratura (12 Vac)	/	15 VA	15 VA
Tempo lavoro	da 2,5 a 40 sec. (da 30 a 80 sec. con TLM)		
Tempo pausa	da 5 a 80 sec.		
Tempo ritardo apertura TRA	0 oppure da 2.5 a 12 sec.		
Tempo ritardo chiusura TRC	0 oppure da 2.5 a 12 sec.		
Regolazione forza	da 0 al 100 %	30%-45%-60%-80%-100%	
Temperatura di funzionamento	-20 ÷ 50 °C		
Dimensioni	280 x 220 x 110 mm		
Peso	1,7 Kg	2,7 Kg	2,7 Kg
Grado di protezione	IP 55 (con contenitore integro)		

Istruzioni ed avvertenze destinate all'utilizzatore della A6 – A6F – A700F

Complimenti per aver scelto per la vostra automazione un prodotto Nice! Nice S.p.a. produce componenti per l'automazione di cancelli, porte, serrande, tapparelle e tende da sole: motoriduttori, centrali di comando, radiocomandi, lampeggianti, fotocellule e accessori. Nice utilizza solo materiali e lavorazioni di qualità, e per vocazione ricerca soluzioni innovative che semplifichino al massimo l'utilizzo delle sue apparecchiature, curate nelle soluzioni tecniche, estetiche, ergonomiche: nella grande gamma Nice il vostro installatore avrà senz'altro scelto il prodotto più adatto alle vostre esigenze. Nice non è però il produttore della vostra automazione, che è invece il risultato di un'opera di analisi, valutazione, scelta dei materiali, e realizzazione dell'impianto eseguita dal vostro installatore di fiducia. Ogni automazione è unica e solo il vostro installatore possiede l'esperienza e la professionalità necessarie ad eseguire un impianto secondo le vostre esigenze, sicuro ed affidabile nel tempo, e soprattutto a regola d'arte, rispondente cioè alle normative in vigore. Un impianto di automazione è una bella comodità, oltre che un valido sistema di sicurezza e, con poche, semplici attenzioni, è destinato a durare negli anni. Anche se l'automazione in vostro possesso soddisfa il livello di sicurezza richiesto dalle normative, questo non esclude l'esistenza di un "rischio residuo", cioè la possibilità che si possano generare situazioni di pericolo, solitamente dovute ad un utilizzo incosciente o addirittura errato, per questo motivo desideriamo darvi alcuni consigli sui comportamenti da seguire per evitare ogni inconveniente:

• **Prima di usare per la prima volta l'automazione**, fatevi spiegare dall'installatore l'origine dei rischi residui, e dedicate qualche minuto alla lettura del manuale di **ISTRUZIONI ED AVVERTENZE PER L'UTILIZZATORE** consegnatovi dall'installatore. Conservate il manuale per ogni dubbio futuro e consegnatelo ad un eventuale nuovo proprietario dell'automazione.

• **La vostra automazione è un macchinario che esegue fedelmente i vostri comandi**; un uso incosciente ed improprio può farlo diventare pericoloso: non comandate il movimento dell'automazione se nel suo raggio di azione si trovano persone, animali o cose.

• **Bambini**: un impianto di automazione garantisce un alto grado di sicurezza, impedendo con i suoi sistemi di rilevazione il movimento in presenza di persone o cose, e garantendo un'attivazione sempre prevedibile e sicura. È comunque prudente vietare ai bambini di giocare in prossimità dell'automazione e per evitare attivazioni involontarie non lasciare i telecomandi alla loro portata: **non è un gioco!**

• **Le fotocellule non sono un dispositivo di sicurezza** ma soltanto un dispositivo ausiliario alla sicurezza. Sono costruite con tecnologia ad altissima affidabilità ma possono, in situazioni estreme, subire malfunzionamenti o addirittura guastarsi ed in certi casi il guasto potrebbe non essere subito evidente.

Per questi motivi, e comunque per buona regola:

- Il transito è consentito solo se il cancello o portone è completamente aperto e con ante ferme.
- **E' ASSOLUTAMENTE VIETATO** transitare mentre il cancello o portone si sta chiudendo!

Verificare periodicamente il corretto funzionamento delle fotocellule e far eseguire i controlli di manutenzione previsti, almeno ogni 6 mesi.

• **Anomalie**: Non appena notate qualunque comportamento anomalo da parte dell'automazione, togliete alimentazione elettrica all'impianto ed eseguite lo sblocco manuale. Non tentate da soli alcuna riparazione, ma richiedete l'intervento del vostro installatore di fiducia: nel frattempo l'impianto può funzionare

come un'apertura non automatizzata, una volta sbloccato il motoriduttore come descritto più avanti.

• **Manutenzione**: Come ogni macchinario la vostra automazione ha bisogno di una manutenzione periodica affinché possa funzionare più a lungo possibile ed in completa sicurezza. Concordate con il vostro installatore un piano di manutenzione con frequenza periodica; Nice consiglia un intervento ogni 6 mesi per un normale utilizzo domestico, ma questo periodo può variare in funzione dell'intensità d'uso. Qualunque intervento di controllo, manutenzione o riparazione deve essere eseguito solo da personale qualificato.

• Anche se ritenete di saperlo fare, non modificate l'impianto ed i parametri di programmazione e di regolazione dell'automazione: la responsabilità è del vostro installatore.

• Il collaudo, le manutenzioni periodiche e le eventuali riparazioni devono essere documentate da chi le esegue e i documenti conservati dal proprietario dell'impianto.

Gli unici interventi che vi sono possibili e vi consigliamo di effettuare periodicamente sono la pulizia dei vetri delle fotocellule e la rimozione di eventuali foglie o sassi che potrebbero ostacolare l'automatismo. Per impedire che qualcuno possa azionare il cancello, prima di procedere, ricordatevi di **sbloccare l'automatismo** (come descritto più avanti) e di utilizzare per la pulizia solamente un panno leggermente inumidito con acqua.

• **Smaltimento**: Al termine della vita dell'automazione, assicuratevi che lo smantellamento sia eseguito da personale qualificato e che i materiali vengano riciclati o smaltiti secondo le norme valide a livello locale.

• **In caso di rotture o assenza di alimentazione**: Attendendo l'intervento del vostro installatore, o il ritorno dell'energia elettrica se l'impianto non è dotato di batterie tampone, l'automazione può essere azionata come una qualunque apertura non automatizzata. Per fare ciò è necessario eseguire lo sblocco manuale (unico intervento consentito all'utente sull'automazione): tale operazione è stata particolarmente studiata da Nice per assicurarvi sempre la massima facilità di utilizzo, senza uso di attrezzi particolari o necessità di sforzo fisico.

• **Sostituzione pila del telecomando**: se il vostro radiocomando dopo qualche tempo vi sembra funzionare peggio, oppure non funzionare affatto, potrebbe semplicemente dipendere dall'esaurimento della pila (a seconda dell'uso, possono trascorrere da diversi mesi fino ad oltre un anno). Ve ne potete accorgere dal fatto che la spia di conferma della trasmissione non si accende, è fioca, oppure si accende solo per un breve istante. Prima di rivolgervi all'installatore provate a scambiare la pila con quella di un altro trasmettitore eventualmente funzionante: se questa fosse la causa dell'anomalia, sarà sufficiente sostituire la pila con altra dello stesso tipo. Le pile contengono sostanze inquinanti: non gettarle nei rifiuti comuni ma utilizzare i metodi previsti dai regolamenti locali.

Siete soddisfatti? Nel caso voleste aggiungere nella vostra casa un nuovo impianto di automazione, rivolgendovi allo stesso installatore e a Nice vi garantirete, oltre che la consulenza di uno specialista e i prodotti più evoluti del mercato, il migliore funzionamento e la massima compatibilità delle automazioni.

Vi ringraziamo per aver letto queste raccomandazioni, e vi auguriamo la massima soddisfazione dal vostro nuovo impianto: per ogni esigenza presente o futura rivolgetevi con fiducia al vostro installatore.

Mindy

A6 - A6F
A700F

Sommaire:

page

1	Avertissements	31	5	Programmation	37
2	Description du produit et type d'utilisation	32	5.1	Fonctions programmables	38
2.1	Limites d'utilisation	33	5.2	Description des fonctions	38
2.2	Installation typique	33	6	Essai de fonctionnement	40
2.3	Liste des câbles	33	6.1	Mise en service	41
3	Installation	34	7	Maintenance et mise au rebut	41
3.1	Contrôles préliminaires	34	7.1	Maintenance	41
3.2	Fixation	34	7.2	Mise au rebut	42
3.3	Schema des connexions	34	8	Accessoires	42
3.4	Description des connexions	35	9	Caracteristiques techniques de la centrale	42
3.5	Notes sur les connexions	36			
4	Reglages	36			
4.1	Modes de fonctionnement	37			

1) Avertissements

Cette notice technique contient des informations importantes concernant la sécurité pour l'installation, il faut lire toutes les instructions avant de procéder à l'installation. Conserver soigneusement cette notice pour d'éventuelles consultations futures.

Compte tenu des dangers qui peuvent apparaître durant l'installation et l'utilisation, il faut, pour garantir une sécurité optimale, que l'installation soit réalisée en totale conformité avec les lois, normes et règlements. Dans ce chapitre, nous donnons des recommandations d'ordre général; d'autres recommandations importantes se trouvent dans les chapitres "3.1 Contrôles préliminaires"; "6 Essai et mise en service".

⚠ D'après la législation européenne la plus récente, l'automatisation d'une porte ou d'un portail possède les caractéristiques prévues par la directive 98/37/CE (directive Machines) et en particulier par les normes: EN 13241-1 (norme harmonisée); EN 12445; EN 12453 et EN 12635, qui permettent de déclarer la conformité à la directive «Machines».

D'autres informations et les conseils pour l'analyse des risques et la réalisation du dossier technique sont disponibles sur le site: www.niceforyou.com. La présente notice est destinée uniquement au personnel technique qualifié pour l'installation. À part l'encart spécifique «Instructions et recommandations destinées à l'utilisateur» qui sera détaché par l'installateur, aucune autre information contenue dans la présente notice ne peut être considérée comme intéressante pour l'utilisateur final!

- Une utilisation différente de ce qui est prévu dans cette notice est interdite; des utilisations impropres peuvent être source de dangers ou de dommages aux personnes et aux choses.
- Avant de commencer l'installation, il faut effectuer l'analyse des risques comprenant la liste des exigences essentielles de sécurité par l'annexe I de la directive Machines, en indiquant les solutions adoptées. Nous rappelons que l'analyse des risques est l'un des documents qui constituent le «dossier technique» de l'automatisation.
- Vérifier la nécessité d'autres dispositifs pour compléter l'automatisation suivant les conditions spécifiques de l'application et les risques présents; il faut considérer par exemple les risques d'impact, écrasement, cisaillement, coincement, etc., et d'autres dangers en général.
- N'effectuer de modifications sur aucune des parties si elles ne sont pas prévues dans la présente notice technique. Des opérations de ce type entraîneront obligatoirement des problèmes de fonctionnement. NICE décline toute responsabilité en cas de dommages dérivant de produits modifiés.
- Pendant l'installation et l'utilisation, éviter que des parties solides ou liquides puissent pénétrer à l'intérieur de la logique de commande ou d'autres composants ouverts; s'adresser éventuellement au service d'assistance NICE; l'utilisation dans de telles circonstances peut créer des situations de danger.
- L'automatisme ne peut pas être utilisé avant d'avoir effectué la mise en service comme l'explique le chapitre: «6 Essai et mise en service».
- Les matériaux d'emballage doivent être mis au rebut dans le plein respect des normes locales en vigueur.
- En cas de pannes qui ne peuvent pas être résolues avec les informations fournies dans cette notice technique, contacter le service après-vente NICE.
- Si des interrupteurs automatiques ou des fusibles interviennent, avant de les réarmer il faut identifier la cause de leur déclenchement et l'éliminer.
- Avant d'accéder aux bornes situées sous le carter, déconnecter tous les circuits d'alimentation; si le dispositif de déconnexion n'est pas visible, accrocher un panneau: «ATTENTION MAINTENANCE EN COURS».

Avertissements particuliers sur l'appropriation à l'utilisation de ce produit par rapport à la directive "Machines" 98/37/CE (ex 89/392/CEE):

- Ce produit est mis sur le marché comme «composant de machine» et est donc construit pour être incorporé dans une machine ou pour être assemblé avec d'autres appareillages afin de réaliser «une machine» selon les termes de la Directive 98/37/CE seulement en association avec les autres composants et dans les modes décrits dans cette notice technique. Comme le prévoit la directive 98/37/CE nous rappelons que la mise en service de ce produit n'est pas autorisée tant que le constructeur de la machine dans laquelle ce produit est incorporé ne l'a pas identifié et déclaré conforme à la directive 98/37/CE.

Avertissements particuliers sur l'appropriation à l'utilisation de ce produit par rapport à la directive «Basse tension» 73/23/CEE et à ses amendements ultérieurs 93/68/CEE:

- Ce produit est conforme aux exigences prévues par la directive «Basse tension» s'il est utilisé dans le but et les configurations prévues dans cette notice technique et en liaison avec les articles présents dans le catalogue des produits de Nice S.p.A.. Les exigences pourraient ne pas être garanties si le produit est utilisé dans des configurations ou avec d'autres produits non prévus; l'utilisation du produit dans ces situations est interdite tant que l'installateur n'a pas vérifié la conformité aux critères prévus par la directive.

Avertissements particuliers sur l'appropriation à l'utilisation de ce produit par rapport à la directive «Compatibilité électromagnétique» 89/336/CEE et à ses amendements ultérieurs 92/31/CEE et 93/68/CEE:

- Ce produit a été soumis aux essais relatifs à la compatibilité électromagnétique dans les situations d'utilisation les plus critiques, dans les configurations prévues dans cette notice technique et en liaison avec les articles présents dans le catalogue des produits de Nice S.p.A.. La compatibilité électromagnétique pourrait ne pas être garantie si le produit est utilisé dans des configurations ou avec d'autres produits non prévus; l'utilisation du produit dans ces situations est interdite tant que l'installateur n'a pas vérifié la conformité aux critères requis par la directive.

2) Description du produit et type d'utilisation

La centrale électronique est utilisable pour manoeuvrer les mouvements de portails et de portes automatiques, elle peut être connectée à des actionneurs électromécaniques munis de moteurs asynchrones monophasés.

Ce manuel d'instructions se réfère à plusieurs versions de la même centrale, les différentes versions se différencient par l'éventail des fonctions programmables et des entrées disponibles ainsi que par la méthode utilisée pour le contrôle de la force des actionneurs:

A6: Version de base, réglage de la force électronique à découpage de phase

A6F: Version de base, réglage de la force électromécanique avec transformateur automatique commutable

A700F: Version complète, réglage de force électromécanique avec transformateur commutable

La centrale permet des actionnements en mode "manuel", "semi-automatique" ou "automatique"; les accords des dispositifs de sécurité sont contrôlés durant le mouvement (entrées HALTE, PHOTO, PHOTO1); dans la version **A700F** les limites du mouvement sont vérifiées par l'intermédiaire d'un microinterrupteur de fin de course tandis que dans la version **A6** le mouvement est temporisé.

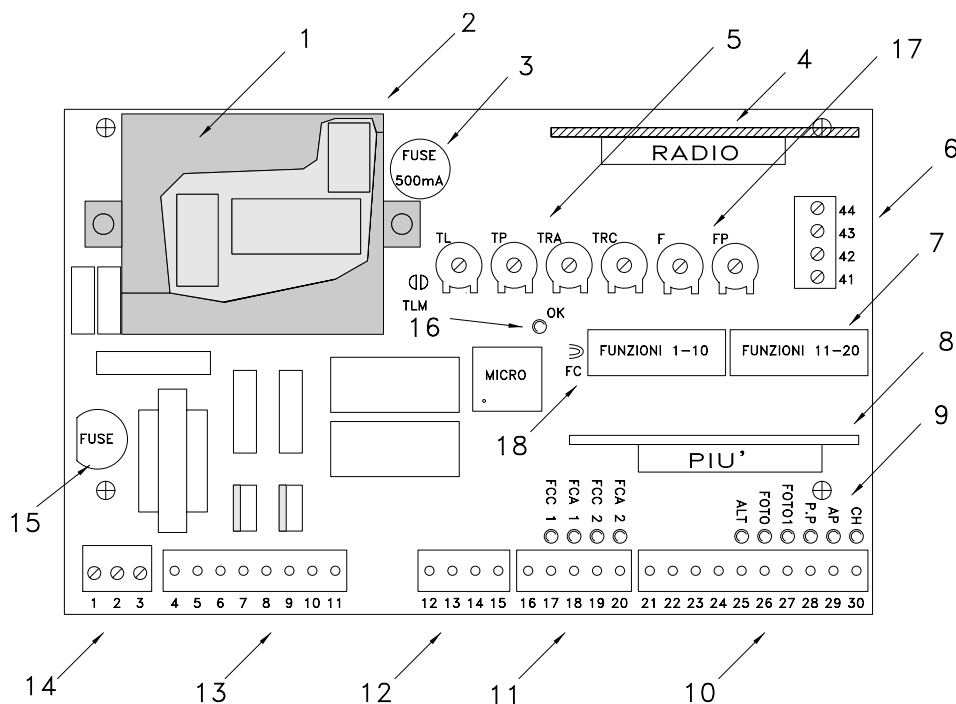
Elle dispose de fonctions de type logique qui vont de la "Mémoire du mouvement" jusqu'à "Referme juste après Photocellule" en passant par "Ferme toujours" et de fonctions particulières liées à la manoeuvre "Démarrage progressif", "Arrêt progressif".

Dans la version **A700F**, l'introduction de la carte expansions modèle "PIU" permet d'augmenter les fonctions à travers d'autres entrées et d'autres sorties.

Toutes les centrales sont prévues pour le branchement de la vaste gamme de récepteurs produits par Nice.

On a adopté pour le projet les techniques les plus avancées pour garantir le maximum de protection contre les parasites, une grande flexibilité d'utilisation et un vaste choix de fonctions programmables.

Avant d'entreprendre l'installation de la centrale et d'effectuer les connexions, il est indispensable de décrire brièvement les éléments les plus importants présents sur la carte.



- | | |
|---|--|
| <p>1: Trasformatore d'alimentazione (seulement A6)</p> <p>2: Prises pour transformateur automatique extérieur (seulement A6F ou A700F)</p> <p>3: Fusible 500 mA rapide sur alimentation 24 Vac</p> <p>4: Prise pour carte RADIO</p> <p>5: Trimmer de réglage des temps</p> <p>6: Bornier Antenne et sortie 2e canal RADIO</p> <p>7: Dip-switchs pour la sélection des fonctions</p> <p>8: Prise pour carte PIU' (seulement A700F)</p> <p>9: DEL de signalisation de l'état des entrées</p> | <p>10: Bornier entrées sécurités et commandes</p> <p>11: Bornier entrées microint. de fin de course (seulement A700F)</p> <p>12: Bornier sorties serrure électrique (seulement A6F ou A700F) et Test photocellules (seulement A700F)</p> <p>13: Bornier sorties clignotant et moteurs</p> <p>14: Bornier alimentation</p> <p>15: Fusible rapide (5 A sur 230 Vac) ou (6,3A sur 120 Vac)</p> <p>16: Del OK</p> <p>17: Trimmer de réglage de la force</p> <p>18: Shunt FC pour microint. de fin de course normalement ouverts</p> |
|---|--|

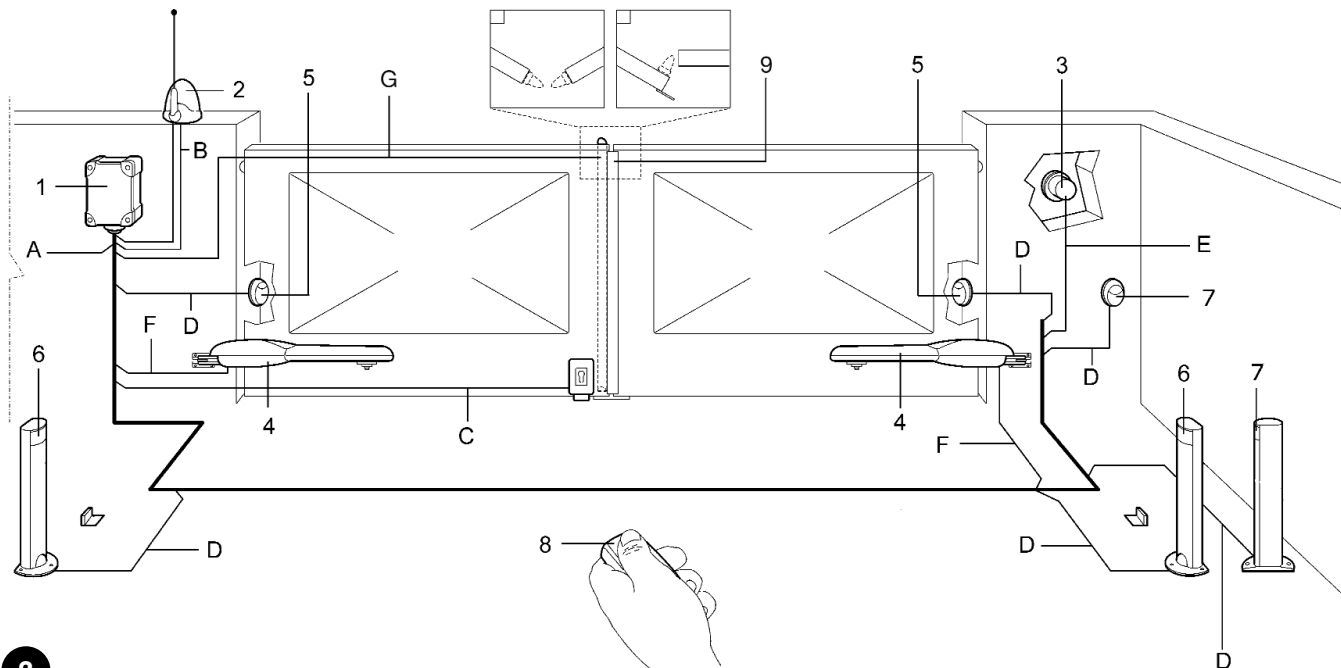
La DEL "OK" (**16**) a pour fonction de signaler le fonctionnement correct de la logique interne: elle doit clignoter au rythme d'1 seconde et indique que le microprocesseur interne est actif et en attente de commandes. Quand il y a une variation de l'état sur les entrées (**10 - 11**) ou des dip-switchs des fonctions (**7**) un double clignotement rapide se produit, même si la variation n'a pas d'effets immédiats.

Quand la centrale est alimentée, les voyants lumineux (**9**) qui sont placés sur les entrées s'allument si l'entrée en question est active et que la tension de commande arrive à 24 Vac. Normalement, les DEL sur les entrées des sécurités HALTE, PHOTO et PHOTO1 et celles sur les microinterrupteurs de fin de course sont toujours allumées, tandis que celles sur les entrées de commande PAS-A-PAS, OUVRE et FERME sont normalement éteints.

2.1) Limites d'utilisation

Les données relatives aux performances des produits figurent dans le chapitre 9 «Caractéristiques techniques» et sont les seules valeurs qui permettent d'évaluer correctement si l'opérateur est adapté à l'application.

2.2) Installation typique



2

- | | |
|---------------------------------------|----------------------------------|
| 1. Centrale A6, A6F ou A700F | 6. Paire de photocellules PHOTO1 |
| 2. Clignotant avec antenne incorporée | 7. Paire de photocellules PHOTO2 |
| 3. Sélecteur à clé | 8. Émetteur radio |
| 4. motoréducteurs | 9. Barres palpeuses |
| 5. Paire de photocellules PHOTO | |

N.B.: Ce schéma représente seulement l'une des applications possibles de la centrale et est donné à titre d'exemple. Seule une analyse approfondie des risques de la "Machine" portail et une évaluation appropriée des demandes de l'utilisateur peuvent permettre de déterminer le type et la quantité d'éléments à installer.

2.3) Liste des câbles

Dans l'installation typique de la figure 2 sont indiqués aussi les câbles nécessaires pour les connexions des différents dispositifs; le tableau 1 indique les caractéristiques des câbles.

⚠ Les câbles utilisés doivent être adaptés au type d'installation; par exemple, on conseille un câble type H03VV-F pour la pose à l'intérieur ou H07RN-F pour la pose à l'extérieur.

Tableau 1: liste des câbles

Connexion	Type de câble	Longueur maximum admise
A: Ligne électrique d'alimentation	N°1 câble 3x1,5mm ²	30m (note 1)
B: Clignotant avec antenne	N°1 câble 2x0,5mm ²	20m
	N°1 câble blindé type RG58	20m (longueur conseillée: moins de 5 m)
C: serrure électrique	N°1 câble 2x1mm ²	20m
D: Photocellules	N°1 câble 2x0,25mm ² (Tx)	30m
	N°1 câble 4x0,25mm ² (Rx)	30m
E: Sélecteur à clé	N°1 câble 4x0,25mm ²	30m
F: motoréducteurs	N°1 câble 4x1,5mm ²	10m
G: Barres palpeuses	N°1 câble 2x0,25mm ²	30m

Nota 1: si la longueur du câble d'alimentation dépasse 30 m, il faut prévoir un câble avec une section plus grande, par exemple 3x2,5mm² et une mise à la terre est nécessaire à proximité de l'automatisme.

3) Installation

⚠ L'installation doit être effectuée par du personnel qualifié, dans le respect des lois, des normes et des règlements ainsi que de toutes les instructions de cette notice technique.

3.1) Contrôles préliminaires

Avant de continuer l'installation, il faut effectuer les contrôles suivants:

- Vérifier que tout le matériel à utiliser est en excellent état, adapté à l'utilisation et conforme aux normes;
- Vérifier que la structure du portail est adaptée pour être équipée d'un automatisme;
- Vérifier que les points de fixation des différents dispositifs se trouvent dans des endroits à l'abri des chocs et que les surfaces sont suffisamment solides;
- Introduire les passe-câbles ou les passe-tubes uniquement dans la partie inférieure de la centrale, il ne faut perforer sous aucun prétexte les parois latérales et la paroi supérieure. Les câbles doivent entrer dans la centrale seulement par la partie inférieure!
- Éviter que les parties de l'automatisme puissent être immergées dans l'eau ou dans d'autres substances liquides;
- Ne pas placer A6 – A6F – A700F à proximité de flammes ou de sources de chaleur, dans des atmosphères potentiellement explosives, particulièrement acides ou salines; cela pourrait endomma-

ger et causer des problèmes de fonctionnement ou des situations de danger;

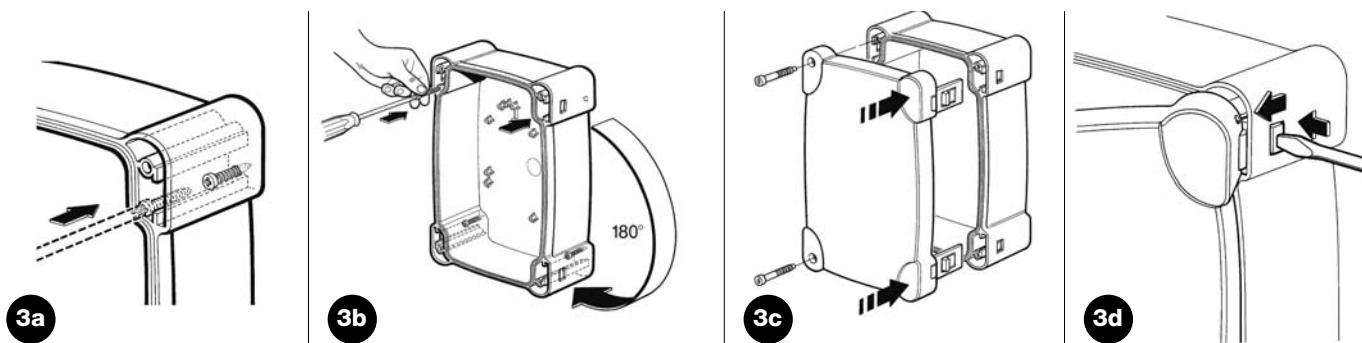
- Si un portillon pour le passage de piétons est incorporé au tablier ou est présent dans la zone de manoeuvre du tablier, il faut s'assurer qu'il ne gêne pas la course normale et prévoir éventuellement un système d'interverrouillage;
- Connecter la logique de commande à une ligne d'alimentation électrique avec mise à la terre;
- La ligne d'alimentation électrique doit être protégée par un disjoncteur magnétothermique associé à un déclencheur différentiel;
- Sur la ligne d'alimentation du secteur électrique, il faut monter un dispositif de déconnexion de l'alimentation (avec catégorie de surtension III, c'est-à-dire avec une distance entre les contacts d'au moins 3,5 mm) ou bien un autre système équivalent, par exemple une prise et une fiche. Si le dispositif de déconnexion de l'alimentation ne se trouve pas à proximité de l'automatisme, il faut disposer d'un système de blocage contre la connexion accidentelle ou non autorisée.

3.2) Fixation

Introduire les deux vis dans les trous supérieurs en les faisant coulisser sur la glissière, comme l'indique la Fig. 3A, en les vissant partiellement. Tourner l'unité sur 180° et répéter même opération avec les 2 autres vis. Fixer l'unité au mur.

Placer le couvercle dans la position voulue (avec l'ouverture à droite ou à gauche), appuyer fortement au niveau des flèches.

Pour enlever le couvercle, appuyer avec un tournevis sur le point d'encastrement et en même temps pousser vers le haut.



3.3) Schema des connexions

Après avoir installé la centrale, les actionneurs, les éléments de commande (sélecteur à clé ou tableau de commande) et de sécurité (arrêt d'urgence, photocellules, barres palpeuses et clignotant), on peut exécuter les connexions électriques selon les indications données ci-après.

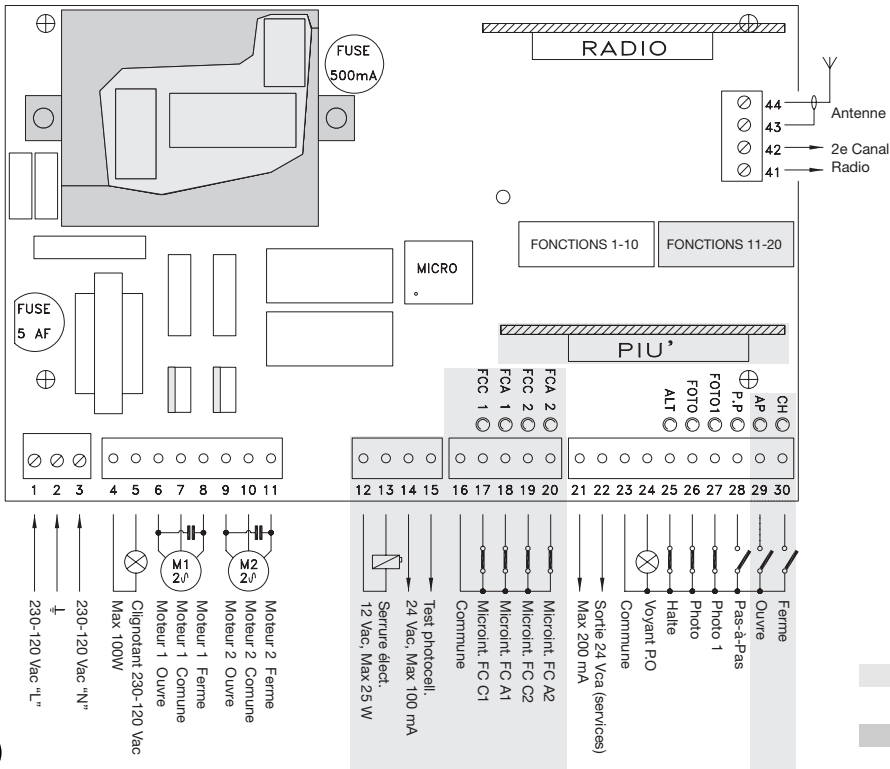
⚠ Pour garantir la sécurité de l'opérateur et pour prévenir les dommages aux composants, quand on effectue les connexions, aussi bien en basse tension (230 – 120 Vac) qu'en très basse tension (24 V) ou qu'on branche les différentes cartes:

La centrale ne doit absolument pas être alimentée électriquement.

Nous rappelons en outre que les entrées des contacts de type NF (Normalement fermé) doivent être shuntées si elles ne sont pas utilisées; si elles sont plus d'une, elles doivent être mises en SERIE. Les entrées des contacts de type NO (Normalement Ouvert) doivent être laissées libres si elles ne sont pas utilisées; si elles sont plus d'une, elles doivent être mises en PARALLELE. En ce qui concerne les contacts, ceux-ci doivent être absolument de type mécanique et libres de toute puissance; toute connexion à configuration de type "PNP", "NPN", "Open Collector" etc. est exclue.

Effectuer les connexions nécessaires suivant le schéma de la Fig. 4 et la description des connexions qui suit.

⚠ Nous rappelons qu'il y a des normes précises à respecter de manière rigoureuse tant en ce qui concerne la sécurité des installations électriques qu'en ce qui concerne les portails automatiques.



La partie avec fond trame est présente seulement sur la version **A700F**
 La partie avec fond trame est présent sur les versions **A6F** et **A700F**

4

3.4) Description des connexions

Nous donnons une brève description des connexions possibles de la centrale vers l'extérieur:

- 1...3** : 230 - 120 Vac
- 4-5** : Clignotant = Sortie pour connexion au clignotant 230 - 120 Vac, puissance maximum de la lampe 100 W
- 6...8** : Moteur 1 = Sortie pour connexion au 1er moteur 230 - 120 Vac.
- 9...11** : Moteur 2 = Sortie pour connexion au 2er moteur 230 - 120 Vac.

Note: Les moteurs 1 et 2 se différencient seulement pour le retard au démarrage, le 1er moteur est lié au temps de retard ouverture "TRA" tandis que le 2e moteur est lié au temps de retard fermeture "TRC". Si les retards ne sont pas nécessaires, il n'y a aucune différence entre les deux moteurs.

Les soivantes bornes sont présent seulement sur les versions **A6F** et **A700F**

- 12-13** : Serrure élect. = Sortie 12 Vac pour activation serrure électrique puissance maximum 25 W

La série de bornes qui suit est présente seulement sur la version **A700F**

- 14-15** : Test photocell. = Sortie 24 Vac pour alimentation émetteurs des photocellules, maximum 100 mA
- 16** : Commune = Commune pour les entrées microint. de fin de course (égale à l'autre borne commune 23)
- 17** : Microint. FC C1 = Entrée microint. fin de course ferme du moteur 1
- 18** : Microint. FC A1 = Entrée microint. fin de course ouvre du moteur 1
- 19** : Microint. FC C2 = Entrée microint. fin de course ferme du moteur 2
- 20** : Microint. FC A2 = Entrée microint. fin de course ouvre du moteur 2
- 21-22** : 24 Vca = Sortie 24 Vca pour alimentation services (Photo, Radio ecc) maximum 200 mA
- 23** : Commune = Commune pour toutes les entrées (comme borne Commune on peut utiliser aussi la borne 22)
- 24** : Voyant P.O = Sortie pour voyant portail ouvert 24 Vca , puissance maximum du voyant 2 W
- 25** : Halte = Entrée avec fonction de HALTE (Urgence, blocage ou sécurité extrême)
- 26** : Photo = Entrée pour dispositifs de sécurité (Photocellules, barres palpeuses)
- 27** : Photo1 = Entrée pour autre dispositif de sécurité (Photocellules, barres palpeuses)
- 28** : Pas-à-Pas = Entrée pour fonctionnement cyclique (OUVRE STOP FERME STOP)

La série de bornes suivante est présente seulement sur la version **A700F**

- 29** : Ouvre = Entrée pour ouverture (commandée éventuellement par une horloge)
- 30** : Ferme = Entrée pour fermeture
- 41-42** : 2e Canal Radio = Sortie de l'éventuel deuxième canal du récepteur radio
- 43-44** : Antenne = Entrée pour l'antenne du récepteur radio

Sur la carte de la centrale, il existe deux connecteurs pour des cartes en option:

RADIO = Prise pour récepteurs radio produits par **Nice**

PIU = Prise pour carte expansions **PIU'** (seulement sur la version **A700F**)

Il est conseillé d'attendre d'avoir achevé l'installation pour brancher les éventuelles cartes en option RADIO ou PIU' et seulement après avoir vérifié le bon fonctionnement de l'installation. Les cartes en option ne sont pas nécessaires au fonctionnement et si elles sont branchées, elles rendent plus difficile la recherche des éventuelles pannes.

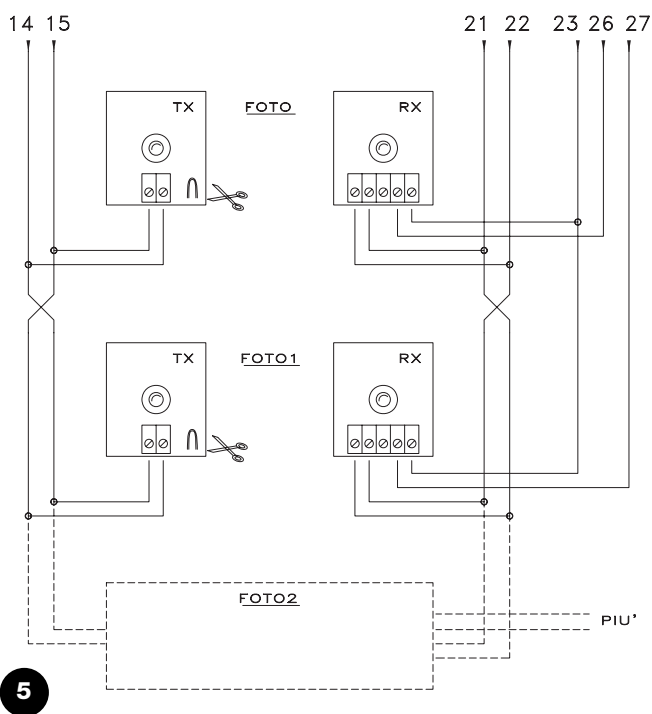
3.5) Notes sur les connexions

La plupart des connexions sont extrêmement simples, une bonne partie est constituée de connexions directes à un seul utilisateur ou contact, d'autres par contre prévoient une connexion un peu plus complexe:

Tous les moteurs de type asynchrone monophasés ont besoin d'un condensateur pour fonctionner correctement, certains motoréducteurs, ont déjà ce condensateur connecté à l'intérieur, d'autres au contraire demandent la connexion du condensateur à l'extérieur. Dans ce cas, le condensateur doit être connecté entre les phases OUVRE et FERME du moteur. Par commodité il est bon de brancher le condensateur directement dans la centrale dans les espaces prévus à cet effet.

La partie qui suit se réfère uniquement à la version A700F

La sortie "Test photocellule" mérite une description particulière: il s'agit en effet de la solution la plus fiable possible en termes de fiabilité en ce qui concerne les dispositifs de sécurité. A chaque fois qu'une manoeuvre commence, les dispositifs de sécurité impliqués sont contrôlés et seulement si tout est parfait la manoeuvre commence. Si au contraire le test n'a pas un résultat positif (photocellule éblouie par le soleil, câbles en court-circuit etc.) la panne est identifiée et la manoeuvre n'est pas exécutée. Tout cela est possible seulement en employant une configuration donnée dans les connexions des dispositifs de sécurité (Fig. 5). Comme on peut le remarquer dans le schéma électrique, tandis que les récepteurs des photocellules PHOTO, PHOTO1 et de l'éventuelle PHOTO2 (sur carte PIU') sont alimentés normalement par les 24 Vac des services, les émetteurs prennent l'alimentation de la sortie Test photo. Quand un mouvement est demandé, la centrale contrôle en premier lieu que tous les récepteurs concernés par le mouvement donnent l'accord, puis la sortie Test photo est désactivée et la centrale vérifie que tous les récepteurs signalent le fait en enlevant leur accord; ensuite, la sortie Test photo est réactivée et la centrale vérifie de nouveau l'accord de la part de tous les récepteurs. Comme on peut le remarquer sur les deux émetteurs, le synchronisme a été activé en coupant les shunts concernés; il s'agit de la seule méthode pour garantir que les deux paires de photocellules n'interfèrent pas entre elles. Vérifier sur le manuel des photocellules les instructions pour le fonctionnement synchronisé.



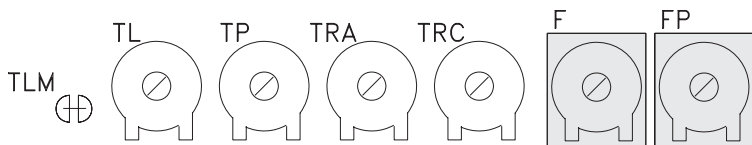
5

Si une entrée "PHOTO" n'est pas utilisée, la borne correspondante doit être shuntée à travers un relais 24 V connecté sur la sortie TEST PHOTOCCELL.

- Généralement, dans les portails à 2 battants, on emploie des motoréducteurs qui ne demandent pas l'emploi de microinterrupteurs de fin de course, on installe alors généralement des butées mécaniques qui arrêtent le mouvement au point désiré. La centrale possède le trimmer "Temps Travail" qui est réglé normalement sur un temps supérieur au temps nécessaire pour la manoeuvre complète. Quand le battant atteint la butée mécanique, le moteur se bloque et reste sous effort pendant le temps restant; les moteurs sont toujours projetés pour résister sans aucun problème à ce type de sollicitation, en particulier si la force est appliquée à des valeurs inférieures à 100 %.
- Dans certaines installations, par exemple dans le cas de deux parties coulissantes, ou si l'on désire bénéficier de la fonction de positionnement, l'emploi des microinterrupteurs de fin de course pourrait se révéler nécessaire. Dans la plupart des cas, si les microint. sont utilisés, ils sont du type normalement fermé "NF" de manière qu'une panne éventuelle provoque l'arrêt du moteur sans que le battant risque de se bloquer. Dans d'autres cas, par exemple, quand on emploie des contacts de type magnétique, il peut arriver de devoir utiliser des microint. de type normalement ouvert "NO". Pour habilitier la centrale à l'emploi des microint. NO, il faut couper le shunt FC présent sur la carte (Fig 2). Ce même shunt peut être coupé également si les microint. de fin de course ne sont pas utilisés pour éviter de devoir faire les shunts en question.
- Selon le type de motoréducteur et de la fonction que l'on désire obtenir, les microint. de fin de course peuvent être employés comme indicateur du point de fin de mouvement (fonction microinterrupteur de fin de course) ou comme signalisation du point de départ de la fonction positionnement. S'ils sont utilisés comme positionnement, les microint. de fin de course doivent être placés généralement avec un angle de 10-20° par rapport au point d'arrêt et ils indiquent le point où sera appliquée aux moteurs une force encore plus basse et réglable à l'aide du trimmer FORCE POSITIONNEMENT, de manière à atteindre la butée mécanique avec le moins de violence possible.

4) Réglages

- TLM** = Temps Travail Majoré
- TL** = Temps Travail
- TP** = Temps Pause
- TRA** = Temps Retard Ouverture
- TRC** = Temps Retard Fermeture
- F** = Force
- FP** = Force Positionnement



Si le portail est composé de 2 battants qui peuvent se coincer s'ils partent en même temps en ouverture ou si l'un des deux battants se superpose à l'autre en fermeture, il faut intervenir sur les réglages des trimmers Temps Retard Ouverture "TRA" ou Temps Retard Fermeture "TRC". Ces trimmers peuvent être réglés comme on le désire même si généralement TRA doit être réglé le strict temps nécessaire à ce que le battant mû par le 2e moteur soit déjà hors de la zone d'encombrement quand le 1er moteur démarre.

Le trimmer TRC doit être réglé de manière qu'en fermeture le battant du 2e moteur arrive toujours quand le 1er moteur a déjà terminé la manoeuvre de fermeture.

Le Temps Retard Fermeture peut être employé pour obtenir la distance de sécurité en fermeture de 50 cm prévue.

A ce point, sélectionner le mode de fonctionnement "Semi-automatique" en mettant sur On le dip-switch N°1 puis régler le trimmer Temps Travail à environ la moitié de sa course. Avec ces réglages, tester un cycle entier d'ouverture puis un de fermeture, intervenir éventuellement sur le réglage du trimmer Temps Travail de manière qu'il suffise pour effectuer toute la manoeuvre et qu'il reste encore une marge de temps de 2 ou 3 secondes. Si même quand on règle le trimmer au maximum, on n'obtient pas un temps suffisant, il est possible de couper le shunt TLM situé sur le circuit imprimé à côté du trimmer et d'obtenir ainsi un temps de travail majoré.

Dans certains types d'actionneurs, par exemple le type hydraulique, le réglage de la force est prévu directement sur le groupe actionneur, consulter le manuel d'instructions correspondant pour avoir toutes les précisions pour le réglage puis laisser le réglage de force à l'intérieur de la centrale sur le maximum. Pour tous les types d'actionneurs qui ne contiennent pas de dispositif de réglage de force, on peut utiliser le système de réglage de force à l'intérieur de la centrale: suivant la version de la centrale employée, suivre les instructions correspondantes.

La partie qui suit concerne seulement la version A6

Sur la centrale se trouve un trimmer FORCE réglé normalement sur le maximum, avec un tournevis, tourner le trimmer dans le sens contraire aux aiguilles d'une montre de manière à réduire la force du moteur à la valeur prévue par les normes.

La partie qui suit concerne seulement les versions A6F et A700F

Sur la centrale se trouve un transformateur automatique de puissance adéquate avec des prises intermédiaires sur l'enroulement primaire sélectionnables à travers le commutateur FORCE prévu à cet usage, déplacer le commutateur sur la position la plus adaptée afin de réduire la force du moteur à la valeur prévue par les normes.

Quel que soit le système de réglage de la force pour la phase initiale du mouvement et pendant 1,5 s la force est au maximum, passé ce temps dit de "décollage", c'est la force prévue par le réglage qui est appliquée.

Quand le mode de fonctionnement automatique est sélectionné (dip-switch N° 2 On) à la fin de la manoeuvre d'ouverture, on a une "pause" à la fin de laquelle est lancée automatiquement une manoeuvre de fermeture. Ce temps durant lequel le portail reste ouvert est réglable à l'aide du trimmer TEMPS PAUSE qui peut être réglé sur le temps désiré sans aucune limite.

Une fermeture automatique et donc la pause correspondante est activée également dans le mouvement en semi-automatique quand, en fermeture, l'intervention d'un dispositif de sécurité provoque une inversion du mouvement en ouverture.

Ce n'est que maintenant, à la fin de tous les réglages, que nous conseillons de brancher l'éventuel récepteur radio, en rappelant que les commandes qui en proviennent sont envoyées à l'entrée PAS-A-PAS.

4.1) Modes de fonctionnement

Nota: quelques unes des parties décrites ci-après se réfèrent uniquement à la version **A700F**

Dans le fonctionnement en mode manuel, l'entrée OUVRE permet le mouvement en ouverture, l'entrée FERME permet le mouvement en fermeture. L'entrée PAS-A-PAS permet le mouvement alternativement en ouverture et en fermeture; dès que la commande cesse en entrée le mouvement s'arrête. En ouverture, le mouvement s'arrête quand les microinterrupteurs de fin de course interviennent ou en l'absence d'accord de la part de PHOTO2 (sur carte PIU); en fermeture au contraire, le mouvement s'arrête même si l'accord de PHOTO et de PHOTO1 manque. Aussi bien en ouverture qu'en fermeture une intervention sur HALTE provoque un arrêt immédiat du mouvement et une brève inversion. Une fois qu'un mouvement s'est arrêté, il faut faire cesser la commande en entrée avant qu'une nouvelle commande puisse faire commencer un nouveau mouvement. Dans le fonctionnement dans l'un des modes automatiques (Semi-automatique, Automatique ou Ferme toujours) une impulsion de commande sur l'entrée OUVRE provoque le mouvement en ouverture, si la commande persiste une fois l'ouverture obtenue, le mouvement reste "congelé" en une pause infinie; le portail ne pourra être refermé que lorsque la commande cessera.

Une impulsion sur PAS-A-PAS provoque alternativement l'ouverture ou la fermeture. Une seconde impulsion sur PAS-A-PAS ou sur l'entrée qui a commencé le mouvement provoque un Stop. Aussi bien en ouverture qu'en fermeture, une intervention sur HALTE provoque un arrêt immédiat du mouvement et une brève inversion.

Le fait de maintenir dans une entrée de commande un signal continu au lieu d'une impulsion provoque un état de "prédominance" dans lequel les autres entrées de commande restent désactivées (utile pour connecter un temporisateur ou un sélecteur jour/nuit).

Si le mode de fonctionnement automatique est activé, après une manoeuvre d'ouverture, on a une pause à la fin de laquelle se produit une fermeture. Si PHOTO ou PHOTO1 interviennent durant la pause, le temporisateur sera réinitialisé avec un nouveau temps; si au contraire on intervient durant la pause sur HALTE, la fonction de refermeture est effacée et on passe à un état de STOP.

En ouverture l'intervention de PHOTO ou PHOTO1 n'a aucune influence tandis que PHOTO2 (sur carte PIU) provoque l'inversion du mouvement; en fermeture l'intervention de PHOTO ou PHOTO1 provoque une inversion du mouvement puis une pause puis une refermeture.

5) Programmation

La centrale dispose d'une série de microinterrupteurs qui permettent d'activer différentes fonctions afin de rendre l'installation plus adaptée aux exigences de l'utilisateur et plus sûre dans les différentes conditions d'utilisation. Toutes les fonctions sont activées quand le dip-switch correspondant est sur "On" tandis qu'elles sont désactivées quand le dip-switch correspondant est sur "Off"; certaines fonctions ne sont pas immédiatement efficaces et ont un sens seulement dans certaines conditions, par exemple la fonction N° 12 "Clignotant également en pause" est active uniquement avec la fermeture automatique et si la manoeuvre n'est pas interrompue avec une commande de HALTE.

⚠ ATTENTION: quelques unes des fonctions programmables sont liées à des aspects de la sécurité, évaluer très attentivement les effets d'une fonction et vérifier quelle est la fonction qui donne le plus de sécurité possible.

Lors des opérations de maintenance d'une installation, avant de modifier une fonction programmable, évaluer la raison pour laquelle certains choix avaient été faits en phase d'installation puis vérifier si avec la nouvelle programmation la sécurité se trouve compromise.

5.1) Fonctions programmables

Les dip-switchs FONCTIONS permettent de sélectionner les différents modes de fonctionnement et d'insérer les fonctions désirées selon le tableau suivant:

Dip-switch 1-2:	Off Off	= Mouvement "Manuel" (Homme Présent)
	On Off	= Mouvement "Semi-automatique"
	Off On	= Mouvement "Automatique" (Fermeture Automatique)
	On On	= Mouvement "Automatique + Ferme Toujours"
Dip-switch 3	On	= Fonctionnement usage collectif <Non disponible en mode Manuel>
Dip-switch 4	On	= Préclignotement
Dip-switch 5	On	= Referme juste après Photocellule <Seulement en mode Automatique>
Dip-switch 6	On	= PHOTO1 également en ouverture
Dip-switch 7	On	= Démarrage progressif
Dip-switch 8	On	= Arrêt progressif
Dip-switch 9	On	= Coup de bélier
Dip-switch 10	On	= Eclairage de fonctionnement sur clignotant

Dans la version **A700F** se trouve un groupe de dip-switchs avec d'autres fonctions:

Dip-switch 11	On	= Fonction positionnement <Seulement avec utilisation microint. de fin de course>
Dip-switch 12	On	= Clignotement également en Pause <Seulement en mode Automatique>
Dip-switch 13	On	= Maintien pression
Dip-switch 14	On	= Voyant Portail ouvert avec clignotement proportionnel
Dip-switch 15	On	= Activation test photocellules
Dip-switch 16	On	= PHOTO et PHOTO1 également en ouverture
Dip-switch 17	On	= PHOTO et PHOTO1 au début de la manoeuvre d'ouverture
Dip-switch 18	On	= Saute STOP en ouverture
Dip-switch 19	On	= Saute STOP en fermeture
Dip-switch 20	On	= FERME devient OUVRE PIETONS

Nous rappelons que les fonctions qui sont possibles que dans certains cas sont signalées avec les notes entre les caractères "<>" après la description de la fonction. Naturellement, chaque dip-switch positionné sur "Off" n'active pas la fonction décrite.

5.2) Description des fonctions

Nous donnons maintenant une brève description des fonctions qui peuvent être activées en mettant sur "On" le dip-switch correspondant.

Dip-switch 1-2: Off Off = Mouvement "Manuel" (Homme Présent)
On Off = Mouvement "Semi-automatique"
Off On = Mouvement "Automatique"
(Fermeture Automatique)
On On = Mouvement "Automatique + Ferme Toujours"

Dans le fonctionnement "Manuel", le mouvement est exécuté seulement tant que la commande est active (touche enfoncée); en "Semi-automatique", il suffit d'une impulsion de commande et tout le mouvement est exécuté jusqu'à ce que la butée mécanique soit atteinte ou jusqu'à l'intervention du microinterrupteur de fin de course. En mode de fonctionnement "Automatique", après une ouverture on a une pause puis une fermeture. La fonction "Ferme Toujours" intervient si, après une coupure momentanée de l'alimentation, le dispositif détecte le portail ouvert; dans ce cas, on a automatiquement une manoeuvre de fermeture précédée de 5 secondes de préclignotement.

Dip-switch 3: On = Fonctionnement usage collectif (non disponible en mode manuel)

Dans le fonctionnement usage collectif, une fois qu'une manoeuvre d'ouverture démarre, ce mouvement ne peut plus être interrompu par d'autres impulsions de commande sur PAS-A-PAS ou OUVRE jusqu'à la fin du mouvement en ouverture. Dans le mouvement en fermeture, une nouvelle impulsion de commande provoque l'arrêt et l'inversion du mouvement en ouverture.

Dip-switch 4: On = Préclignotement

L'impulsion de commande provoque d'abord l'activation du clignotant puis après 5 secondes (2 s en mode manuel), le mouvement commence.

Dip-switch 5: On = Referme juste après Photocellule (seulement en mode Automatique)

Cette fonction permet de garder le portail ouvert seulement le temps nécessaire au passage; en effet, après l'intervention de PHOTO et PHOTO1, la fermeture automatique aura lieu toujours après une pause de 5 secondes, indépendamment du Temps de Pause programmé.

Dip-switch 6: On = PHOTO1 également en ouverture

Cette fonction est la seule qui diversifie le fonctionnement entre les photocellules PHOTO et PHOTO1. Normalement, les sécurités PHOTO et PHOTO1 interviennent seulement dans la manoeuvre de fermeture tandis qu'elles n'ont aucun effet en ouverture.

Si le dip-switch N°6 est mis sur "On", PHOTO continue à intervenir seulement en fermeture mais PHOTO1 intervient aussi en ouverture en provoquant une interruption du mouvement; en mode Semi-Automatique ou Automatique, on aura la reprise du mouvement en ouverture juste après le dégagement de la photocellule PHOTO1.

Ce type de fonctionnement redevient utile pour arrêter la manoeuvre du portail en ouverture quand, par exemple, un véhicule s'approche du portail du côté interne et donc dans la direction du mouvement, sans arrêter toutefois le mouvement quand le véhicule s'approche du côté externe.

Dip-switch 7: On = Démarrage progressif

Le début du mouvement est effectué de manière progressive en envoyant une force de plus en plus grande au moteur en formant une rampe qui dure environ 1 s de manière à garantir un démarrage sans secousses. (Déconseille sur l'opérateur METRO).

Dip-switch 8: On = Arrêt progressif

Quand le mouvement s'achève, on a un arrêt progressif effectué en envoyant une force de plus en plus faible au moteur avec un décrétement qui dure environ 1 s, ce qui garantit un arrêt sans secousses.

Pour des raisons évidentes de sécurité, l'arrêt progressif ne se produit pas et est remplacé par un arrêt normal quand on a l'intervention de HALTE , PHOTO et PHOTO1 ou PHOTO2 (sur carte PIU') ou bien de l'un des microinterrupteurs de fin de course.

Dip-switch 9: On = Coup de bélier

Quand on utilise des actionneurs reversibles, quand le portail ne reste pas fermé avec uniquement la poussée des moteurs, il devient indispensable d'installer une serrure électrique (voir les instructions des actionneurs pour le mode d'emploi). Sur la serrure électrique, on pourrait avoir la poussée naturelle qui tend à porter les battants en position légèrement ouverte, parfois cette poussée est si élevée qu'elle maintient le mécanisme de déclenchement de la serrure électrique bloqué. Avec la fonction Coup de bélier activée, avant de commencer une manoeuvre d'ouverture, il faut activer un cycle bref de fermeture qui, dans tous les cas, ne crée aucun effet de mouvement vu que les battants sont déjà sur la butée mécanique de fermeture. De cette manière, quand la serrure électrique est activée, elle se trouvera déchargée de toute force et donc libre de se déclencher.

Dip-switch 10: On = Eclairage de fonctionnement sur clignotant

Dans certains cas, on peut avoir besoin d'un éclairage sur la zone de mouvement du portail et on demande souvent que l'éclairage s'éteigne automatiquement peu après la conclusion de la manoeuvre. Cette fonction est couramment appelée "Eclairage de fonctionnement". En connectant des corps d'éclairage sur la même sortie que le clignotant (pour une puissance maximum globale de 100 W) et en activant cette fonction, on obtiendra que durant tout le mouvement ou pendant 60 autres secondes, la sortie restera active en permettant l'éclairage de la zone.

Seulement dans la version A700F se trouve un groupe de dip-switchs avec d'autres fonctions:

Dip-switch 11: On = Fonction positionnement <Seulement avec utilisation microint. de fin de course>

Au lieu d'être employés comme signalisation des limites du mouvement, les microinterrupteurs de fin de course peuvent être utilisés comme indication du point où se déclenche le positionnement. Généralement, quand on utilise la fonction positionnement, les microinterrupteurs de fin de course sont positionnés avec un angle de 10-20° avant la butée mécanique. De cette manière, quand lors du mouvement du battant le microinterrupteur de fin de course est atteint, une force moins grande sera envoyée au moteur, à travers le réglage du trimmer "Force Positionnement", pendant 3 autres secondes, de sorte que le battant atteigne l'arrêt mécanique avec le moins de violence possible.

Dip-switch 12: On = Clignotement également en Pause

Normalement, le clignotant est activé seulement durant le mouvement en ouverture ou en fermeture, cette fonction prévoit que le clignotant reste actif même durant la Pause, afin de signaler l'état de "fermeture prochaine".

Dip-switch 13: On = Maintien pression

Dans les actionneurs hydrauliques, la poussée pour maintenir le portail fermé est développée dans un circuit hydraulique qui reste sous pression. Quand le temps et l'usure réduise l'étanchéité du circuit hydraulique, il peut arriver qu'après quelques heures la pression interne tombe avec risque de légère ouverture des battants du portail. Si l'on active la fonction Maintien Pression, après 4 heures, puis toutes les 4 heures durant la fermeture du portail, une brève manoeuvre de fermeture est activée seulement dans le but de recharger la pression du circuit hydraulique.

N.B.: Les fonctions "Coup de bélier" et "Maintien Pression" ont un sens et ne sont effectuées que si le portail est fermé. La logique interne considère le portail comme fermé si le microinterrupteur de fin de course FCC est intervenu ou, quand les microint. de fin de course ne sont pas utilisés, si la précédente manoeuvre de fermeture est terminée régulièrement suite à la fin du temps de travail.

Dip-switch 14: On = Voyant Portail ouvert avec clignotement proportionnel

Normalement, le voyant Portail Ouvert indique l'état du portail selon les états suivants:

Eteint: Portail complètement fermé

Allumé: Portail même seulement partiellement ouvert

Clignotement lent: Portail en phase d'ouverture

Clignotement rapide: Portail en phase de fermeture

Le clignotement du voyant durant le mouvement peut être rendu proportionnel, de lent, progressivement à rapide et vice versa de manière à avoir une indication de l'état d'ouverture ou de fermeture.

Dip-switch 15: On = Activation test photocellules

Permet de lancer une phase de test sur les photocellules avant de commencer tout mouvement; de cette manière, en éliminant toute possibilité de mauvais fonctionnement, on augmente la sécurité de l'installation. Pour exploiter la fonction Test Photo, il faut que les émetteurs des photocellules soient connectés à la sortie prévue à cet usage (voir Notes sur les connexions).

Dip-switch 16: On = PHOTO et PHOTO1 également en ouverture

Normalement les sécurités PHOTO et PHOTO1 interviennent seulement dans la manoeuvre de fermeture, si le dip-switch N° 16 est activé, l'intervention des dispositifs de sécurité provoque une interruption du mouvement également en ouverture. Si on est en mode semi-automatique ou Automatique, on aura la reprise de nouveau du mouvement en ouverture juste après le dégagement de la photocellule.

Dip-switch 17: On = PHOTO et PHOTO1 au début de la manoeuvre d'ouverture

Généralement, les dispositifs de sécurité PHOTO et PHOTO1 ne sont pas actifs dans la manoeuvre d'ouverture mais seulement dans la manoeuvre de fermeture car c'est la plus dangereuse. Dans certains pays, il y a des normes qui imposent le contrôle des dispositifs de sécurité au moins au début également de la manoeuvre d'ouverture. S'il faut respecter ces normes ou si l'on désire augmenter le niveau de sécurité, il est possible d'activer la fonction et donc, avant de commencer le mouvement, de vérifier l'accord des sécurités PHOTO et PHOTO1 et seulement après commencer la manoeuvre.

Dip-switch 18: On = Saute STOP en ouverture

Le cycle du Pas-à-Pas est normalement: OUVRE-STOP-FERME-STOP, avec cette fonction activée, le cycle Pas-à-Pas devient: OUVRE-FERME-STOP-OUVRE tandis que l'entrée Ouvre perd la possibilité de faire STOP.

Dip-switch 19: On = Saute STOP en fermeture

Comme la fonction précédente mais relative au cycle FERME, le cycle Pas-à-Pas devient donc: OUVRE-STOP-FERME-OUVRE, tandis que l'entrée Ferme perd la possibilité de faire STOP.

N.B.: En mettant sur On les dip-switchs 18 et 19 le cycle pas-à-pas devient OUVRE-FERME-OUVRE en perdant définitivement la possibilité de faire STOP.

Dip-switch 20: On = FERME devient OUVRE PIETONS

Il peut arriver qu'il ne soit pas nécessaire d'ouvrir complètement le portail par exemple pour permettre le passage d'un piéton; dans ce cas, la fonction OUVRE PIETONS devient utile car elle permet d'ouvrir seulement le battant connecté au 2e moteur en laissant l'autre fermé. Cette ouverture est activée par l'entrée FERME qui perd sa fonction d'origine pour devenir comme l'entrée Pas-à-Pas mais pour l'ouverture d'un seul battant. Il faut préciser que le cycle d'ouverture piétons s'active seulement en partant de la position portail fermé. Si par contre le portail est en mouvement ou ouvert, l'impulsion d'entrée n'a aucun effet.

ACCESSOIRE: CARTE EXPANSIONS "PIU"

La centrale électronique dispose de toutes les principales fonctions demandées dans une automatisation normale, dans la version A700F on a prévu la possibilité d'ajouter la carte en option PIU' qui permet d'augmenter les possibilités de la centrale.

La partie qui suit concerne seulement la version **A700F**

La carte doit être introduite dans le connecteur prévu à cet effet dans la centrale, les bornes de la carte mettent à disposition:

- Les entrées suivantes: Photo 2 = Dispositif de sécurité avec intervention dans la manoeuvre d'ouverture
Ouverture Partielle = Exécute une manoeuvre d'ouverture en un temps réduit
 - Les sorties suivantes: Rouge = Lumière rouge du feu
Verte = Lumière verte du feu } Alarmes
Serrure électrique = Commande de la serrure électrique (vu que la centrale dispose déjà de cette sortie, la fonction a été modifiée en "Ventouse" pour connecter les dispositifs de retenue magnétique qui sont utilisés en alternative à la serrure électrique)
Eclairage de fonction. = Commande d'une lampe avec fonction d'éclairage de fonctionnement
- N.B.: Les sorties peuvent commander seulement des charges de petite puissance (voyants, relais, etc.)
- et les réglages suivants: Temps Partiel = Temps pour l'ouverture partielle
Temps Fonct. = Temps pour l'éclairage de fonctionnement

Les caractéristiques complètes et le mode d'emploi de la carte se trouvent dans le manuel d'instructions spécifique.

6) Essai de fonctionnement

Après avoir connecté les moteurs et les différents accessoires prévus, on peut passer à la vérification de toutes les connexions et à l'essai de fonctionnement de l'installation.

⚠ Il s'agit de la phase la plus importante dans la réalisation de l'automatisation afin de garantir une sécurité maximum. L'essai peut également être utilisé comme vérification périodique des dispositifs qui composent l'automatisme.

L'essai de toute l'installation doit être effectué par du personnel qualifié et expérimenté qui devra se charger d'établir les essais prévus en fonction des risques présents et de vérifier le respect de ce qui est prévu par les lois, les normes et réglementations et en particulier, toutes les conditions de la norme EN 12445 qui détermine les méthodes d'essai pour la vérification des automatismes pour portails. Nous conseillons d'opérer en mode manuel avec toutes les fonctions désactivées (dip-switch Off); en cas de besoin, en mode manuel, quand on relâche la touche de commande, on obtient l'arrêt immédiat du moteur. Vérifier également que tous les trimmers de réglage sont au minimum (tournés dans le sens contraire aux aiguilles d'une montre) seul le trimmer FORCE (sur **A6**) ou le commutateur FORCE (sur **A6F** et **A700F**) peut être mis au maximum, le trimmer Force Positionnement (sur **A700F**) doit être tourné à mi-course.

Chaque élément de l'automatisme comme par exemple les bords sensibles, les photocellules, l'arrêt d'urgence, etc. demande une phase spécifique d'essai; pour ces dispositifs, il faudra effectuer les procédures figurant dans les notices techniques correspondantes.

Vérifier que tout ce qui est prévu dans la présente notice technique est rigoureusement respecté, en particulier dans le chapitre 1 «Avertissements»;

- A) Débloquer le portail et mettre les battants à mi-course puis bloquer, de cette manière, le portail est libre de se déplacer aussi bien en ouverture qu'en fermeture.
- B) Alimenter la centrale, vérifier qu'entre les bornes 1-2 et 1-3 il y a bien 230 - 120 Vca et que sur les bornes 21-22 il y a bien 24 Vca.

La partie qui suit concerne uniquement la version **A700F**

- C) Vérifier que sur les bornes 14-15 il y a bien une tension de 24 Vac pour l'alimentation des émetteurs des photocellules.

Dès que la centrale est alimentée, les voyants (DEL) situés sur les entrées actives doivent s'allumer, en outre, quelques instants plus tard, la DEL "OK" devra commencer à clignoter à un rythme régulier. Si tout cela ne se produit pas, couper immédiatement l'alimentation et contrôler soigneusement les connexions.

- La DEL "OK" située au centre de la carte a pour fonction de signaler l'état de la logique interne: un clignotement régulier et au rythme d'1 à la seconde indique que le microprocesseur interne est actif et en attente de commandes. Quand le microprocesseur reconnaît une variation de l'état d'une entrée (aussi bien entrée de commande que dip-switch des fonctions), il génère un double clignotement rapide, même si la variation ne provoque pas d'effets immédiats. Un clignotement très rapide pendant 3 secondes indique que la centrale vient d'être alimentée et qu'elle est en train d'effectuer un test des parties internes, enfin un clignotement irrégulier et non constant indique que le test ne s'est pas correctement déroulé et qu'il y a donc un inconvénient.
- D) Vérifier maintenant que les DEL relatives aux entrées avec contacts type NF sont allumées (toutes les sécurités sont actives) et que les DEL relatives aux entrées type NO sont éteintes (aucune commande présente), si cela ne se produit pas, contrôler les connexions et l'efficacité des différents dispositifs.
- E) Vérifier le fonctionnement correct de tous les dispositifs de sécurité présents dans l'installation (arrêt d'urgence, photocellules, barres palpeuses etc...), chaque fois qu'ils interviennent, les DEL correspondantes HALTE, PHOTO, PHOTO2 doivent s'éteindre.
- Il s'agit d'une vérification parmi les plus importantes et elle doit être effectuée avec la plus grande attention. La sécurité "active" du portail dépend en effet du fonctionnement correct des dispositifs de sécurité. Si le clignotant est un excellent instrument pour signaler l'état de danger et les limiteurs de couple sont un auxiliaire valable pour limiter les dommages, seule une installation correcte des dispositifs de sécurité permet de bloquer l'automatisme avant qu'il puisse provoquer des dégâts.

La partie qui suit concerne seulement la version **A700F**

- F) Si les entrées microinterrupteurs de fin de course sont utilisées, il faut vérifier l'exactitude des connexions. Manoeuvrer un battant à la fois et vérifier qu'une fois que le point désiré est atteint, le microint. de fin de course correspondant intervient en éteignant la DEL correspondante sur la centrale (ou en l'allumant si les microint. de fin de course montés sont du type NO).

• Il faut vérifier maintenant si le mouvement s'effectue dans la bonne direction, c'est-à-dire qu'il faut contrôler la correspondance entre le mouvement prévu par la centrale et le mouvement effectif des battants. Cette vérification est fondamentale, si la direction est erronée, dans certains cas (par exemple en mode semi-automatique), le portail pourrait fonctionner régulièrement en apparence. En effet, le cycle OUVRE est semblable au cycle FERME avec la différence fondamentale que les dispositifs de sécurité seront ignorés dans la manoeuvre de fermeture qui est normalement la plus dangereuse, et interviendront en ouverture en provoquant une refermeture sur l'obstacle avec des effets désastreux!

G) Pour vérifier si le sens de rotation est exact, il suffit de donner une brève impulsion sur l'entrée Pas-à-Pas; la première manoeuvre effectuée par la centrale après qu'elle ait été alimentée est toujours OUVRE, il suffit donc de vérifier si le portail bouge dans le sens de l'ouverture; enfin, si le mouvement s'est effectué dans le sens erroné, il faut:

- 1 - Couper l'alimentation
- 2 - Inverser les connexions "OUVRE" et "FERME" du moteur ou des moteurs qui tournaient en sens contraire.

Après avoir effectué cette opération, il est bon de contrôler de nouveau le sens de rotation en répétant l'opération à partir du point "G".

H) Après avoir vérifié toutes les connexions et contrôlé le sens de rotation des moteurs, il est possible d'essayer un mouvement complet des actionneurs; nous conseillons d'opérer toujours en mode manuel avec toutes les fonctions désactivées. Si on utilise

comme commande l'entrée Pas-à-Pas, le premier mouvement (après l'allumage) devra être en ouverture. En agissant sur les entrées de commande, manoeuvrer le portail jusqu'au point d'ouverture, si tout s'est déroulé régulièrement, il est possible de passer au mouvement dans le sens de la fermeture et de déplacer le portail jusqu'au point d'arrêt correspondant.

Il est préférable d'effectuer différentes manoeuvres ouvre-ferme afin d'évaluer les éventuels défauts dans la structure mécanique de l'automatisation et de détecter la présence de points de frottement particuliers.

I) Contrôler ensuite l'intervention des dispositifs de sécurité. Dans la manoeuvre d'ouverture, PHOTO et PHOTO1 n'ont aucune influence, en fermeture, elles provoquent l'arrêt du mouvement. Si la carte PIU' est présente, essayer également le fonctionnement de l'entrée PHOTO 2, en fermeture elle n'a aucun effet, en ouverture, elle provoque l'arrêt du mouvement. Les dispositifs connectés à l'entrée HALTE agissent aussi bien en ouverture qu'en fermeture en provoquant toujours l'arrêt du mouvement.

L) La protection contre les situations dangereuses provoquées par le mouvement des vantaux a été assurée à travers la limitation de la force d'impact, il faut effectuer la mesure de la force conformément à ce qui est prévu par la norme EN 12445. Si le contrôle du «force moteur» sont utilisés comme auxiliaire du système pour la réduction de la force d'impact, essayer et trouver les réglages qui donnent les meilleurs résultats.

6.1) Mise en service

La mise en service ne peut être faite que si toutes les phases d'essai de la centrale des autres dispositifs ont été réussies.

La mise en service partielle ou dans des situations «provisoires» n'est pas autorisée.

E' vietata la messa in servizio parziale o in situazioni "provvisorie".

1. Réaliser et conserver pendant au moins 10 ans le dossier technique de l'automatisme qui devra comprendre au minimum: dessin d'ensemble de l'automatisation, schéma des connexions électriques, analyse des risques et solutions adoptées, déclaration de conformité du fabricant de tous les dispositifs utilisés (pour **A6 - A6F - A700F**, utiliser la déclaration CE de conformité ci-jointe), exemplaire de la notice technique et du plan de maintenance de l'automatisme.

2. Appliquer sur le portail une plaquette contenant au moins les données suivantes: type d'automatisme, nom et adresse du constructeur (responsable de la «mise en service»), numéro de série, année de construction et marque CE.

3. Fixer de manière permanente à proximité du portail une étiquette ou une plaque indiquant les opérations à effectuer pour le débrayage et la manoeuvre manuelle.

4. Remplir et remettre au propriétaire la déclaration de conformité de l'automatisme.

5. Rédiger et remettre au propriétaire de l'automatisme la notice «Instructions et avertissements pour l'utilisation de l'automatisme»;

6. Rédiger et remettre au propriétaire le plan de maintenance de l'automatisme (qui doit regrouper toutes les prescriptions pour la maintenance de chaque dispositif);

7. Avant de mettre en service l'automatisme, informer le propriétaire, de manière adéquate et par écrit (par exemple dans la notice technique et d'avertissements pour l'utilisation de l'automatisme), sur les risques résiduels.

7) Maintenance et mise au rebut

⚠ Ce chapitre contient les informations pour l'élaboration du plan de maintenance et la mise au rebut de A6 - A6F - A700F.

7.1) Maintenance

Pour maintenir le niveau de sécurité et pour garantir la durée maximum de tout l'automatisme, il faut effectuer une maintenance régulière.

La maintenance doit être effectuée dans le plein respect des consignes de sécurité de la présente notice et suivant les prescriptions des lois et normes en vigueur.

Si d'autres dispositifs sont présents, suivre ce qui est prévu dans le plan de maintenance correspondant différent de A6 - A6F - A700F.

1. Il faut effectuer une maintenance programmée au maximum dans les 6 mois ou quand 10 000 manoeuvres ont été effectuées depuis la dernière intervention de maintenance.

2. Débrancher toutes les sources d'alimentation électrique;

3. Vérifier l'état de détérioration de tous les matériaux qui composent l'automatisme avec une attention particulière pour les phénomènes d'érosion ou d'oxydation des parties structurelles; remplacer les parties qui ne donnent pas de garanties suffisantes.

4. Reconnecter les sources d'alimentation électrique et effectuer tous les essais et les contrôles prévus dans le paragraphe «6 Essai».

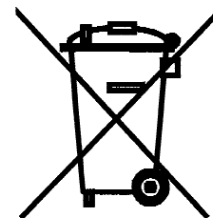
7.2) Mise au rebut

Comme pour l'installation, à la fin de la durée de vie de ce produit, les opérations de démantèlement doivent être effectuées par du personnel qualifié.

Ce produit est constitué de différents types de matériaux dont certains peuvent être recyclés et d'autres devront être mis au rebut; informez-vous sur les systèmes de recyclage ou d'élimination prévus par les normes locales en vigueur pour cette catégorie de produit.

⚠ Certains composants du produit peuvent contenir des substances polluantes ou dangereuses qui pourraient avoir des effets nuisibles sur l'environnement et sur la santé des personnes s'ils n'étaient pas adéquatement éliminés.

Comme l'indique le symbole de la figure, il est interdit de jeter ce produit avec les ordures ménagères. Procéder par conséquent à la «collecte différenciée» des composants pour leur traitement conformément aux méthodes prescrites par les normes locales en vigueur ou restituer le produit au vendeur lors de l'achat d'un nouveau produit équivalent.



Certains règlements locaux peuvent appliquer de lourdes sanctions en cas d'élimination prohibée de ce produit.

8) Accessoires

A6 - A6F - A70F peut être équipé des accessoires en option suivants:

CARTE "PIU"

La centrale contient déjà toutes les fonctions qui sont utilisées dans une installation normale mais pour satisfaire les demandes d'utilisation dans des installations particulières, Nice a prévu une carte en option appelée "Carte PIU" qui permet d'ajouter de nouvelles fonctions telles que la signalisation à l'aide de feux, l'éclairage automatique, à électro-aimant, la deuxième photocellule, l'ouverture partielle des 2 battants etc.

CARTE "RADIO"

La centrale possède un connecteur pour la connexion d'une carte radio qui permet d'agir sur l'entrée de PAS-À-PAS et de commander ainsi la centrale à distance à l'aide d'un émetteur.

Les caractéristiques complètes et le mode d'emploi de la carte se trouvent dans le manuel d'instructions spécifique.

9) Caractéristiques techniques de la centrale:

Dans le but d'améliorer ses produits, Nice S.p.a. se réserve le droit de modifier les caractéristiques techniques à tout moment et sans préavis, en garantissant dans tous les cas le bon fonctionnement et le type d'utilisation prévus.

Toutes les caractéristiques techniques se réfèrent à la température de 20 °C (± 5 °C).

Modèle type:	A6 -A6/V1	A6F - A6F/V1	A700F - A700F/V1
Alimentation A6 - A6F - A700F	230 Vac ± 10%, 50 - 60 Hz		
Alimentation A6/V1 - A6F/V1 - A700F/V1	120 Vac ± 10%, 50 - 60 Hz		
Puissance maximum actionneurs 230 Vac	300 W [1,3 A]		
Puissance maximum actionneurs /V1 120 Vac	300 W [2,5 A]		
Puissance maximum clignotant	100W		
Fréquence maximum des cycles de fonctionnement	illimité		
Temps maximum de fonctionnement continu	illimité		
Courant Max. services (24 Vac)	200 mA		
Courant Max sortie test photo (24 Vac)	/	/	100 mA
Puissance maximum voyant P.O. (24Vac)	2 W		
Puissance maximum serrure électr 12 Vac	/	15VA	15VA
Temps travail	de 2,5 à 40 sec. (de 30 à 80 sec. con TLM)		
Temps pause	de 5 à 80 sec.		
Temps retard ouverture TRA	0 ou de 2.5 à 12 sec.		
Temps retard fermeture TRC	0 ou de 2.5 à 12 sec.		
Réglage force	de 0 à 100 %	30%-45%-60%-80%-100%	
Température de fonctionnement	-20 ÷ 50 °C		
Dimensions	280 x 220 x 110 mm		
Poids	1,7 Kg	2,7 Kg	2,7 Kg
Indice de protection	IP55 (boîtier intact)		

Félicitations pour avoir choisi un produit Nice pour votre automatisation ! Nice S.p.A. produit des composants pour l'automatisation de portails, portes, rideaux métalliques, volets roulants et stores: opérateurs, logiques de commande, radiocommandes, clignotants, photocellules et accessoires. Nice n'utilise que des matériaux et des usinages de qualité et par vocation, elle recherche des solutions innovantes qui simplifient au maximum l'utilisation de ses appareils, très soignés sur le plan de la technique, de l'esthétique et de l'ergonomie: dans la vaste gamme Nice, votre installateur aura choisi sans aucun doute le produit le plus adapté à vos exigences. Nice n'est toutefois pas le producteur de votre automatisme qui est en effet le résultat d'un travail d'analyse, évaluation, choix des matériaux et réalisation de l'installation, exécutée par votre installateur de confiance. Chaque automatisme est unique et seul votre installateur possède l'expérience et la compétence professionnelle nécessaires pour réaliser une installation répondant à vos exigences, sûre et fiable dans le temps et surtout, exécutée dans les règles de l'art et conforme par conséquent aux normes en vigueur. Une installation d'automatisation est une belle commodité ainsi qu'un système de sécurité valable; avec quelques attentions très simples, elle est destinée à durer dans le temps. Même si l'automatisme en votre possession satisfait le niveau de sécurité requis par les normes, cela n'exclut pas la persistance d'un "risque résiduel", c'est-à-dire la possibilité de situations de danger dues généralement à une utilisation inconsciente, voire erronée. C'est la raison pour laquelle nous désirons vous donner quelques conseils sur les comportements à adopter pour éviter tout inconvénient:

- **Avant d'utiliser pour la première fois l'automatisme,** faites-vous expliquer par l'installateur l'origine des risques résiduels et consacrez quelques minutes à la lecture du **manuel d'instructions et d'avertissements pour l'utilisateur qui vous est remis par l'installateur.** Conservez le manuel pour pouvoir le consulter pour n'importe quel doute futur et remettez-le à tout nouveau propriétaire de l'automatisme.

- **Votre automatisme est un équipement qui exécute fidèlement vos commandes;** une utilisation inconsciente et incorrecte peut le rendre dangereux: ne commandez pas le mouvement de l'automatisme si des personnes, des animaux ou des objets se trouvent dans son rayon d'action.

- **Enfants:** une installation d'automatisation garantit un degré de sécurité élevé en empêchant avec ses systèmes de détection le mouvement en présence de personnes ou d'objets et en garantissant une activation toujours prévisible et sûre. Il est prudent toutefois de ne pas laisser jouer les enfants à proximité de l'automatisme et pour éviter les activations involontaires, de ne pas laisser à leur portée les émetteurs qui commandent la manoeuvre: **ce n'est pas un jeu!**

- **Les photocellules ne sont pas un dispositif de sécurité** mais uniquement un dispositif auxiliaire de sécurité. Elles sont construites selon une technologie extrêmement fiable mais peuvent, dans des situations extrêmes, connaître des problèmes de fonctionnement ou même tomber en panne; dans certains cas, la panne peut ne pas être immédiatement évidente.

C'est pourquoi il est conseillé dans tous les cas ce qui suit:

- Le transit n'est autorisé que si le portail ou la porte sont complètement ouverts et avec les vantaux ou le tablier immobiles.
- **IL EST ABSOLUMENT INTERDIT** de transiter pendant que le portail ou la porte sont en phase de fermeture!

Vérifier régulièrement le fonctionnement correct des photocellules et faire exécuter les contrôles de maintenance prévus, au minimum tous les 6 mois.

- **Anomalies:** si vous notez une anomalie quelconque dans le fonctionnement de l'automatisme, coupez l'alimentation électrique de l'installation et procédez au débrayage manuel. Ne tentez jamais

de le réparer vous-même mais demandez l'intervention de votre installateur de confiance: dans l'intervalle, l'installation peut fonctionner comme un système non automatisé, après avoir débrayé l'opérateur suivant les indications données plus loin.

- **Maintenance:** comme toutes les machines, votre automatisme a besoin d'une maintenance périodique pour pouvoir fonctionner le plus longtemps possible et en toute sécurité. Établissez avec votre installateur un plan de maintenance périodique programmée; Nice conseille une intervention tous les 6 mois pour une utilisation domestique normale mais cette période peut varier en fonction de l'intensité d'utilisation. Toute intervention de contrôle, maintenance ou réparation doit être exécutée exclusivement par du personnel qualifié.

- Même si vous estimez en être capable, ne modifiez pas l'installation et les paramètres de programmation et de réglage de l'automatisme: la responsabilité en incombe à votre installateur.

- L'essai de fonctionnement final, les maintenances périodiques et les éventuelles réparations doivent être documentés par la personne qui s'en charge et les documents doivent être conservés par le propriétaire de l'installation.

Les seules interventions que l'utilisateur peut et doit effectuer périodiquement sont le nettoyage des verres des photocellules et l'élimination des feuilles et des cailloux qui pourraient bloquer l'automatisme. Pour empêcher que quelqu'un puisse actionner le portail, avant de continuer, n'oubliez pas de **débrayer l'automatisme** et d'utiliser pour le nettoyage uniquement un chiffon légèrement imbibé d'eau.

- **Mise au rebut:** à la fin de la vie de l'automatisme, assurez-vous que le démantèlement est effectué par du personnel qualifié et que les matériaux sont recyclés ou mis au rebut en respectant les normes locales en vigueur.

- **En cas de ruptures ou absence d'alimentation électrique:** en attendant l'intervention de votre installateur (ou le retour du courant si l'installation est dépourvue de batterie tampon), l'installation peut être actionnée comme n'importe quel autre système non automatisé. Pour cela, il faut effectuer le débrayage manuel: cette opération, qui est la seule pouvant être effectuée par l'utilisateur de l'automatisme, a fait l'objet d'une étude particulière de la part de Nice pour vous assurer toujours une utilisation extrêmement simple et aisée, sans aucun outil ou effort physique.

- **Remplacement de la pile de l'émetteur:** si au bout d'une certaine période votre radiocommande présente des problèmes de fonctionnement ou ne fonctionne plus du tout, cela pourrait dépendre tout simplement du fait que la pile est usée (suivant l'intensité d'utilisation, il peut s'écouler plusieurs mois jusqu'à plus d'un an). Vous pouvez vérifier cet état de chose si le voyant de confirmation de la transmission est faible, s'il ne s'allume plus du tout ou s'il ne s'allume qu'un bref instant. Avant de vous adresser à l'installateur, essayez de remplacer la pile en utilisant celle d'un autre émetteur qui fonctionne encore: si cette intervention remédie au problème, il vous suffit de remplacer la pile usagée par une neuve du même type. Les piles contiennent des substances polluantes: ne pas les jeter à la poubelle mais suivre les règles de tri sélectif prévues par les réglementations locales.

Êtes-vous satisfait? Si vous désirez équiper votre maison d'un nouvel automatisme, adressez-vous au même installateur et à Nice. Vous serez sûr de bénéficier ainsi, en plus du conseil d'un spécialiste et des produits les plus évolués du marché, également du meilleur fonctionnement et de la compatibilité parfaite des différents automatismes installés. Nous vous remercions d'avoir lu ces recommandations et nous espérons que votre nouvelle installation vous donnera entière satisfaction: pour tout besoin présent ou futur, adressez-vous en toute confiance à votre installateur.

F



Mindy

A6 - A6F
A700F

Inhaltsverzeichnis

S.

1	Hinweise	45	5	Programmierung	51
2	Produktbeschreibung und Einsatz	46	5.1	Programmierbare Funktionen	52
2.1	Einsatzgrenzen	47	5.2	Beschreibung der Funktionen	52
2.2	Typische Anlage	47	6	Prüfung	54
2.3	Kabelliste	47	6.1	Inbetriebsetzung	55
3	Installation	48	7	Wartung und Entsorgung	55
3.1	Vorprüfungen	48	7.1	Wartung	55
3.2	Befestigung:	48	7.2	Entsorgung	56
3.3	Schaltplan	48	8	Zubehör	56
3.4	Beschreibung der Anschlüsse:	49	9	Technische Merkmale	56
3.5	Anmerkungen bezüglich der Anschlüsse	50			
4	Einstellungen	50			
4.1	Betriebsarten	51			

1) Hinweise

Die vorliegenden Anweisungen enthalten wichtige Sicherheitsinformationen für die Installation; vor der Installation alle Anweisungen lesen. Dieses Handbuch auch für die Zukunft sorgfältig aufbewahren.

Unter Berücksichtigung der Gefahren, die bei Installation und Bedienung auftreten können, muss die Installation für größte Sicherheit unter voller Einhaltung von Gesetzen, Vorschriften und Verordnungen erfolgen. In diesem Kapitel sind Hinweise allgemeiner Art gegeben; weitere wichtige Hinweise befinden sich in den Kapiteln "3.1 Vorprüfungen"; "6 Abnahme und Inbetriebsetzung".

⚠ Nach der neuesten europäischen Gesetzgebung, gehört die Automatisierung einer Tür oder eines Tors zu den Verordnungen der Richtlinie 98/37/CE (Maschinenrichtlinie) und insbesondere zu den Vorschriften: EN 13241-1 (harmonisierte Norm); EN 12445; EN 12453 und EN 12635, die es erlauben, die Konformität mit der Maschinenrichtlinie zu erklären.

Weitere Auskünfte und Hinweise zur Analyse der Risiken und der Realisierung der Technischen Unterlagen stehen in www.niceforyou.com zur Verfügung. Die vorliegende Anleitung ist nur für technisches Personal bestimmt, das für die Installation qualifiziert ist. Mit Ausnahme der Anlage "Anweisungen und Hinweise für den Benutzer", die der Installateur abtrennen muss, ist keine im vorliegenden Heft enthaltene Information als interessant für den Endbenutzer zu betrachten!

- Ein Gebrauch der anders als in diesen Anweisungen vorgesehen ist, ist verboten. Ein unsachgemäßer Gebrauch kann Gefahren und Personen- oder Sachschäden verursachen.
- Vor der Installation ist die Risikoanalyse auszuführen, welche die Liste der wesentlichen Sicherheitsanforderungen, vorgesehen in Anlage I der Maschinenrichtlinie einschließt und die jeweiligen, angewendeten Lösungen angeben muss. Es wird daran erinnert, dass die Risikoanalyse eine der Unterlagen ist, die Bestandteil der "Technischen Dokumentation" der Automatisierung sind.
- Je nach Einsatzbedingungen und vorhandenen Gefahren prüfen, ob weitere Vorrichtungen und Materialien erforderlich sind, um die Automatisierung zu vervollständigen; berücksichtigt werden müssen zum Beispiel Aufprallgefahr, Quetsch- und Mitnehmgefahr usw. und sonstige Gefahren allgemein.
- Keine Änderungen an keinem Teil ausführen, falls nicht im vorliegenden Handbuch vorgesehen. Vorgänge dieser Art können nur Betriebsstörungen verursachen. NICE lehnt jegliche Haftung für Schäden aufgrund geänderter Produkte ab.
- Während Installation und Gebrauch vermeiden, dass Festteile oder Flüssigkeiten in die Steuerung und sonstige geöffnete Vorrichtungen eindringen können; wenden Sie sich ggf. an den NICE Kundendienst; der Gebrauch in solchen Situationen kann Gefahren verursachen.
- Der Automatismus darf erst verwendet werden, nachdem die Inbetriebsetzung ausgeführt wurde, wie in Punkt "6 Abnahme und Inbetriebsetzung" vorgesehen.
- Das Verpackungsmaterial muss unter voller Einhaltung der örtlichen Vorschriften entsorgt werden.
- Wenn ein Defekt mit den im vorliegenden Handbuch gegebenen Infos nicht beseitigt werden kann, wenden Sie sich bitte an den NICE Kundendienst.
- Wenn Automatikschalter oder Sicherungen ausgelöst werden, muss vor ihrer Rückstellung der Defekt festgestellt und beseitigt werden.
- Vor dem Zugriff auf die Klemmen im Deckel alle Kreisläufe der Versorgung abtrennen; falls die Abtrennvorrichtung nicht sichtbar ist, ein Schild mit der Aufschrift: "ACHTUNG - WARTUNG IM GANG" anbringen.

Besondere Hinweise über die Eignung dieses Produktes mit Bezugnahme auf die Richtlinie 98/37/CE (ex 89/392/CEE):

- Dieses Produkt wird als "Bestandteil einer Maschine" auf den Markt gegeben und daher hergestellt, um in eine Maschine eingegliedert oder mit anderen Maschinen zusammengebaut zu werden, mit dem Zweck, "eine Maschine" gemäß der Richtlinie 98/37/CE nur in Kombination mit anderen Bestandteilen und auf die im vorliegenden Handbuch beschriebenen Arten und Weisen zu realisieren. Wie von der Richtlinie 98/37/CE vorgesehen, wird darauf hingewiesen, dass die Inbetriebsetzung des oben genannten Produktes erst gestattet ist, nachdem die Maschine, in die dieses Produkt eingegliedert ist, als konform mit der Richtlinie 98/37/CE gekennzeichnet und erklärt worden ist.

Besondere Hinweise über die Eignung dieses Produktes mit Bezugnahme auf die Niederspannungsrichtlinie 73/23/CEE und die spätere Änderung 93/68/CEE:

- Dieses Produkt, falls für seinen Zweck eingesetzt und in den in der vorliegenden Anleitung vorgesehenen Konfigurationen und in Kombination mit den von Nice S.p.A. hergestellten Artikeln im Katalog entspricht den Anforderungen der Niederspannungsrichtlinie. Die Übereinstimmung mit den Anforderungen könnte nicht garantiert sein, wenn das Produkt in nicht vorgesehenen Konfigurationen oder mit anderen Produkten benutzt wird; der Gebrauch des Produktes in solchen Situationen ist untersagt, bis der die Installation Ausführende die Übereinstimmung mit den laut Richtlinie vorgesehenen Anforderungen überprüft hat.

Besondere Hinweise über die Eignung dieses Produktes mit Bezugnahme auf die Richtlinie 89/336/CEE "Elektromagnetische Verträglichkeit" und spätere Änderungen 92/31/CEE und 93/68/CE:

- Dieses Produkt in den in der vorliegenden Anleitung vorgesehenen Konfigurationen und in Kombination mit den von Nice S.p.A. hergestellten Artikeln im Katalog wurde unter den schwierigsten Einsatzbedingungen Tests der elektromagnetischen Verträglichkeit unterzogen. Die elektromagnetische Verträglichkeit könnte nicht garantiert sein, wenn das Produkt in nicht vorgesehenen Konfigurationen oder mit anderen Produkten benutzt wird; der Gebrauch des Produktes in solchen Situationen ist untersagt, bis der die Installation Ausführende die Übereinstimmung mit den laut Richtlinie vorgesehenen Anforderungen überprüft hat.

2) Produktbeschreibung und Einsatz

Die elektronische Zentrale kann benutzt werden, um die Bewegung von Toren und automatischen Türen zu steuern; sie kann an elektromechanische Kolbentorantriebe angeschlossen werden, die mit Einphasen-Asynchronmotor.

Diese Betriebsanleitung bezieht sich auf mehrere Versionen der gleichen Zentrale, die verschiedenen Versionen unterscheiden sich außer der unterschiedlichen Methode für die Kontrolle der Kraft der Antriebe auch durch ihre Wahl an programmierbaren Funktionen und zur Verfügung stehenden Eingängen:

A6: Basisversion, elektronische Kraftregelung durch Phasendrosselung

A6F: Basisversion, elektromechanische Kraftregelung mit umschaltbarem Spartransformator

A700F: Komplette Version, elektromechanische Kraftregelung mit umschaltbarem Spartransformator

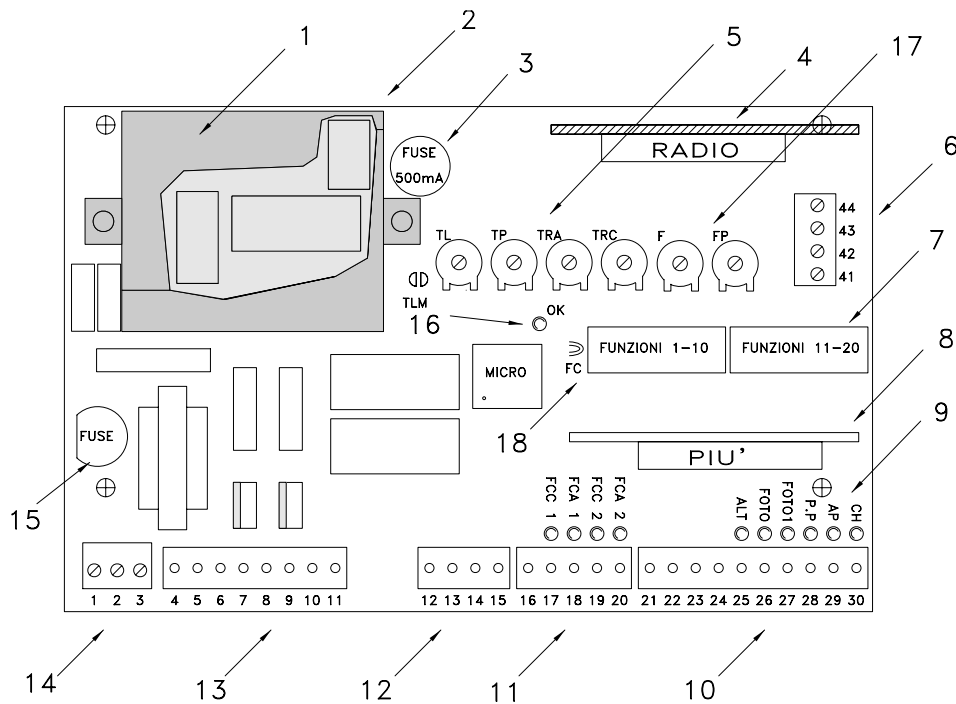
Die Zentrale erlaubt den Betrieb auf "manuell", "halbautomatisch" oder "automatisch"; während der Bewegung werden die Zustimmungen der Sicherheitsvorrichtungen (Eingänge HALT, PHOTOZELLE, PHOTOZELLE1) kontrolliert; in der Version **A700F** werden die Bewegungsgrenzen mittels Endschalter überprüft, wogegen die Bewegung in der Version **A6** auf Zeit ist.

Die Zentrale verfügt über entwickelte, logische Funktionen, die vom "Speicher der Bewegung" über "Schließt immer" bis zu "Schließt sofort wieder nach Photozelle" reichen, und über besondere Betriebsfunktionen wie "allmähliches Anfahren", "allmähliches Anhalten".

In der Ausführung **A700F** stehen durch die Installation der Erweiterungskarte "PIU" "mit anderen Ein- und Ausgängen noch mehr Funktionen zur Verfügung. Alle Zentralen sind für die Installation der großen Auswahl an Funkempfängern, von Nice hergestellt, vorbereitet.

Für das Projekt wurden die fortschrittlichsten Techniken angewendet, um die höchste Störungsfreiheit, beste Einsatzflexibilität und größte Wahl an programmierbaren Funktionen zu gewährleisten.

Vor der Installation der Zentrale und der Ausführung der Anschlüsse eine kurze Beschreibung der wichtigsten Elemente der Karte gegeben.



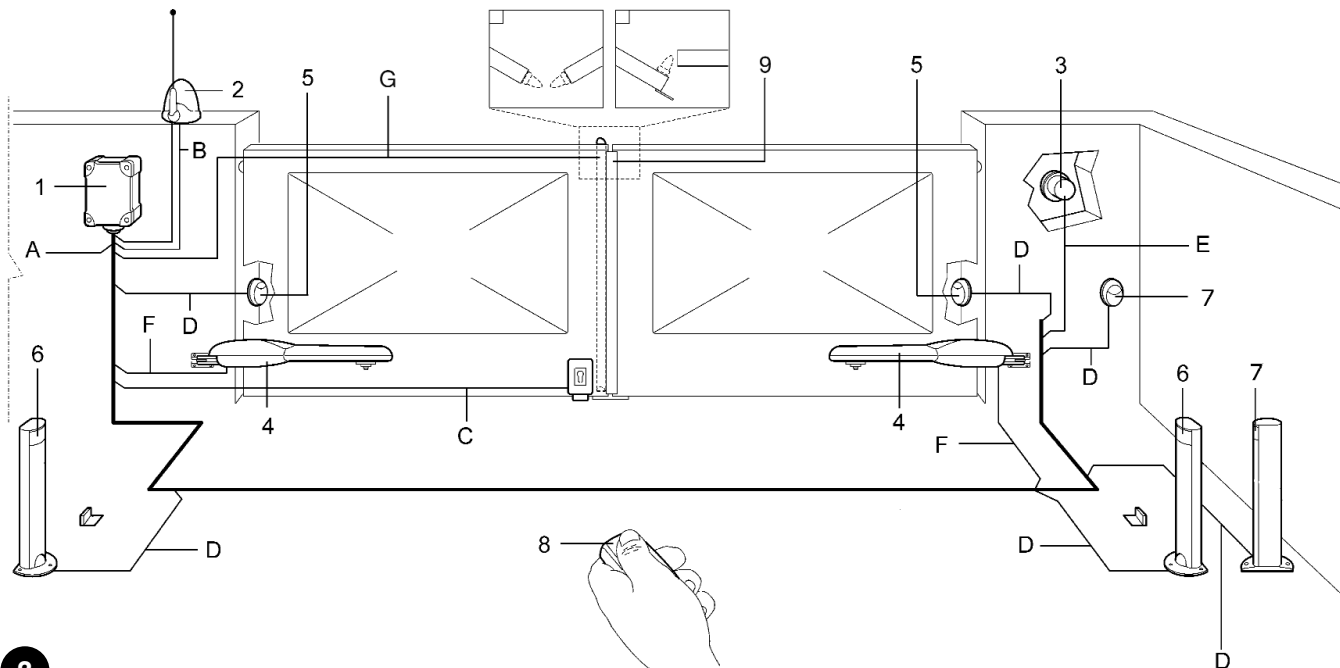
- | | |
|--|---|
| <p>1: Speisetransformator (nur A6)</p> <p>2: Steckverbindungen für externen Spartransformator (nur A6F oder A700F)</p> <p>3: 500 mA Schnellsicherung auf 24 V W.S. Speisung</p> <p>4: Steckverbindung für FUNK-Karte</p> <p>5: Trimmer für die Einstellung der Zeiten</p> <p>6: Klemmenbrett Antenne und Ausgang 2. FUNKkanal</p> <p>7: Dip-Switch für die Wahl der Funktionen</p> <p>8: Steckverbindung für Erweiterungskarte PIU' (nur A700F)</p> <p>9: Led für die Meldung des Zustandes der Eingänge</p> <p>10: Klemmenbrett Eingänge Sicherheiten und Steuerungen</p> | <p>11: Klemmenbrett Endschaltereingänge (nur A700F)</p> <p>12: Klemmenbrett Ausgänge Elektroschloss (nur A6F oder A700F) und Photozellentest (nur A700F)</p> <p>13: Klemmenbrett Ausgänge Blinklicht und Motoren</p> <p>14: Klemmenbrett Speisung</p> <p>15: Schnellsicherung auf (5A 230 V W.S.) oder (6.3A 120 V W.S.) Speisung</p> <p>16: OK-Leuchtdiode</p> <p>17: Trimmer für die Einstellung der Kraft</p> <p>18: FC Überbrückung für normalerweise geöffnete Endschalter</p> |
|--|---|

Die "OK"-Leuchtdiode (**16**) hat die Aufgabe, den korrekten Betrieb der internen Logik zu melden: ein regelmäßiges Blinken einmal pro Sekunde bedeutet, dass der interne Mikroprozessor aktiv ist und auf Steuerungen wartet. Wenn der Zustand der Eingänge (**10 - 11**) oder die Dip-Switch der Funktionen (**7**) geändert werden, wird ein doppeltes Schnellblinking erzeugt, auch wenn die Änderung keine sofortigen Wirkungen hat. Wenn die Zentrale gespeist ist, leuchten die Kontrolllampen (**9**) an den Eingängen auf, falls der Eingang aktiv und die 24 V W.S. Steuerspannung an ihm vorhanden ist. Gewöhnlich sind die Leuchtdioden an den Eingängen der Sicherheiten HALT, PHOTOZELLE und PHOTOZELLE1 und jene der Endschalter immer eingeschaltet, wogegen jene an den Steuereingängen SCHRITTZYKLUS, ÖFFNET und SCHLIEBT gewöhnlich ausgeschaltet sind.

2.1) Einsatzgrenzen

Die Leistungsdaten der Produkte sind in Kapitel "9 Technische Merkmale" angegeben; sie ermöglichen als einzige Werte eine korrekte Bewertung der Eignung der Produkte.

2.2) Typische Anlage



2

- | | |
|--|----------------------------------|
| 1. Zentrale A6, A6F oder A700F | 6. Photozellenpaar (PHOTOZELLE1) |
| 2. Blinkleuchte mit integrierter Antenne | 7. Photozellenpaar (PHOTOZELLE2) |
| 3. Schlüsseltaster | 8. Funksender |
| 4. Motoren | 9. Bewegliche Hauptleiste |
| 5. Photozellenpaar (PHOTOZELLE) | |

MERKE: Diese Zeichnung stellt nur eine Anwendungsmöglichkeit der Zentrale dar und ist als Beispiel zu betrachten. Erst nach einer genauen Analyse der Risiken der Tor-Maschine und einer Bewertung der Wünsche des Endkunden kann festgelegt werden, wieviele und welche Teile installiert werden sollten.

2.3) Kabelliste

In der typischen Anlage in Abbildung 2 sind auch die Kabel angegeben, die zur Verbindung der verschiedenen Vorrichtungen erforderlich sind; in Tabelle Nr. 1 sind die Merkmale der Kabel verzeichnet.

⚠ Die benutzten Kabel müssen für die jeweilige Installation geeignet sein; zum Beispiel wird ein Kabel des Typs H03VV-F zum Verlegen in Innenräumen empfohlen, oder des Typs H07RN-F für Außenanwendungen.

Tabelle Nr. 1: Kabelliste

Anschluss	Kabeltyp	Max. zulässige Länge
A: Elektrische Versorgungslinie	N°1 Kabel 3x1,5mm ²	30m Anmerkung 1)
B: Blinkleuchte mit Antenne	N°1 Kabel 2x0,5mm ²	20m
	Nr. 1 abgeschirmtes Kabel des Typs G58	20m (vorzugsweise weniger als 5m)
C: Elektroschloss	N°1 Kabel 2x1mm ²	20m
D: Photozellen	N°1 Kabel 2x0,25mm ² (Tx)	30m
	N°1 Kabel 4x0,25mm ² (Rx)	30m
E: Schlüsseltaster	N°1 Kabel 4x0,25mm ²	30m
F: Motoren	N°1 Kabel 4x1,5mm ²	10m
G: Bewegliche Hauptleiste	N°1 Kabel 2x0,25mm ²	30m

Anmerkung 1: wenn das Versorgungskabel länger als 30m ist, muss ein Kabel mit größerem Querschnitt benutzt werden, z.B. 3x2,5mm² und eine Sicherterdung in der Nähe der Automatisierung ist erforderlich.

3) Installation

⚠ Die Installation muss von qualifiziertem Personal unter genauester Beachtung der Gesetze, Vorschriften und Verordnungen und der Angaben in den vorliegenden Anweisungen ausgeführt werden.

3.1) Vorprüfungen

Vor der Installation müssen folgende Kontrollen ausgeführt werden:

- Prüfen, dass das gesamte benutzte Material in bestem Zustand, für den Einsatz geeignet und mit den Vorschriften konform ist.
- Prüfen, dass die Struktur des Tors so ist, dass es automatisiert werden kann.
- Prüfen, dass sich die Befestigungsstellen der verschiedenen Vorrichtungen in stoßgeschützten Bereichen befinden und die Oberflächen ausreichend solide sind.
- Spezielle Kabelführungen oder Kabelrohre nur in den unteren Teil der Zentrale einsetzen, die Seitenwände und die obere Wand dürfen auf keinen Fall gelocht werden. Die Kabel dürfen nur von der unteren Seite her in die Zentrale eingehen!
- Elemente des Automatismus sollten nicht in Wasser oder andere Flüssigkeit getaucht werden.
- A6-A6F-A700F nicht in der Nähe von Wärmequellen oder Flammen oder in EXgefährdeter, salz- oder säurehaltiger Umgebung halten; dies kann Schäden und Betriebsstörungen an A6-A6F-A700F sowie Gefahren verursachen.

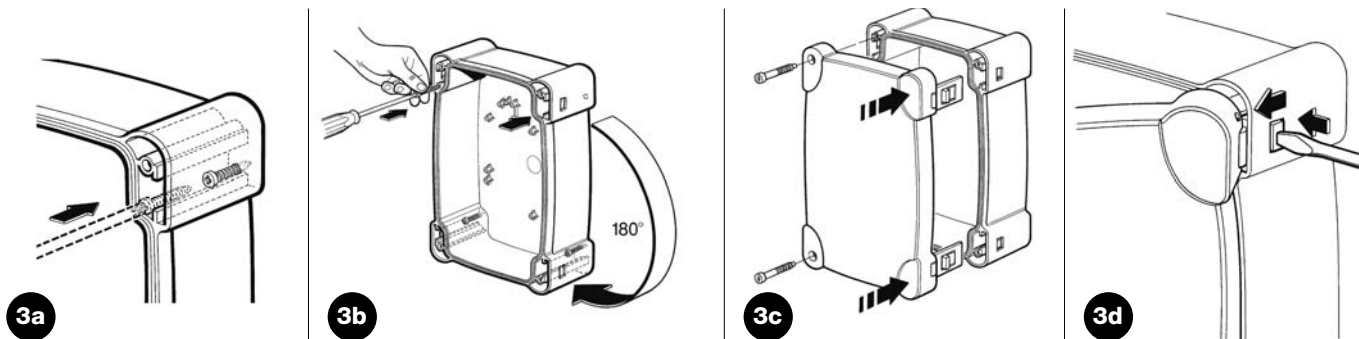
- Sollte der Torflügel eine Eingangstür haben oder sich eine Tür im Bewegungsbereich des Torflügels befinden, ist sicher zu stellen, dass diese den normalen Lauf des Tors nicht behindert; ggf. für ein geeignetes Verblockungssystem sorgen.
- Die Steuerung an eine elektrische Versorgungsleitung mit Sicherheitserdung anschließen.
- Die elektrische Versorgungsleitung muss durch eine geeignete magnetothermische Vorrichtung und Differentialschalter geschützt sein.
- Weiterhin muss eine Abtrennvorrichtung der Stromversorgung (mit Überspannungsklasse III bzw. Abstand zwischen den Kontakten von mindestens 3,5 mm) oder ein gleichwertiges System wie z.B. Steckdose und Stecker vorhanden sein. Sollte sich die Abtrennvorrichtung der Stromversorgung nicht in der Nähe der Automatisierung befinden, muss sie über ein Absperrsystem verfügen, dass vor einem unbeabsichtigten oder nicht genehmigten erneuten Anschluss schützt.

3.2) Befestigung

Die zwei Schrauben in ihre oberen Löcher einfügen und wie in Abb. 3A gezeigt auf der Führung gleiten lassen, dann teilweise anschrauben. Die Zentrale um 180° drehen und das gleiche mit den zwei anderen Schrauben ausführen. Die Zentrale an der Wand befestigen.

Den Deckel wie gewünscht aufsetzen (mit Rechts- oder Linksöffnung). Kräftig drücken, wo die Pfeile vorhanden sind.

Zum Abnehmen des Deckels mit einem Schraubenzieher auf den Einspannpunkt A drücken und gleichzeitig nach oben schieben.



3.3) Schaltplan

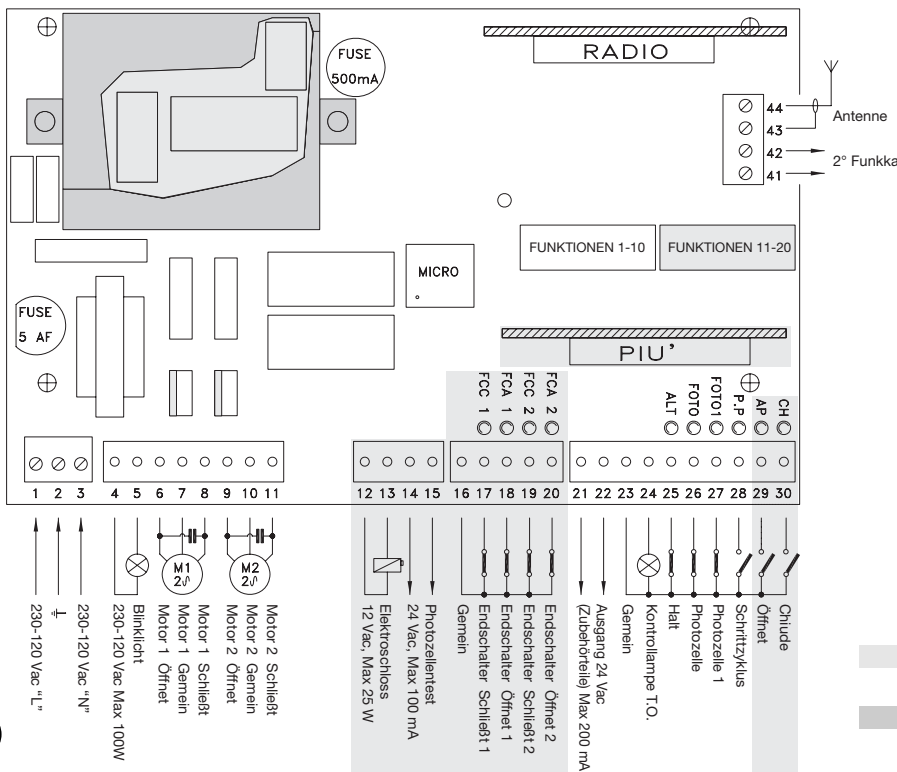
Die Zentrale, die Kolbentorantriebe, die entsprechenden Steuerelemente (Schlüsselwählschalter oder Druckknopftafeln) und die Sicherheitsteile (Notabstellung, Photozellen, Sicherheitsleisten und Blinklicht) installieren, dann nach den hier folgenden Anweisungen auf die Ausführung der Elektroanschlüsse übergehen.

⚠ Um den Schutz des Bedieners zu gewährleisten und Beschädigung der Komponenten zu verhindern, während die Anschlüsse sowohl in Niederspannung (230 - 120 V) als auch in Niedrigstspannung (24 V) ausgeführt oder die verschiedenen Karten eingesetzt werden: darf die Zentrale absolut nicht elektrisch gespeist sein.

Wir erinnern außerdem daran, dass die Eingänge der nicht benutzten NC-Kontakte (normalerweise geschlossen) überbrückt werden müssen, falls mehr als ein NC-Kontakt vorhanden ist, müssen sie SERIEN geschaltet werden; die Eingänge der nicht benutzten NO-Kontakte (normalerweise geöffnet) müssen freigelassen werden, falls mehr als ein NO-Kontakt vorhanden ist, müssen sie untereinander PARALLEL geschaltet werden. Was die Kontakte betrifft, so müssen diese unbedingt mechanische Kontakte ohne jedes Potential sein; Stufenanschlüsse der Art "PNP", "NPN", "Open Collector", usw. sind nicht zugelassen.

Die notwendigen Anschlüsse nach dem Plan in Abb. 4 und der folgenden Beschreibung ausführen.

⚠ Es wird daran erinnert, dass es sowohl bezüglich der Sicherheit von Elektroanlagen als auch für automatische Tore präzise Vorschriften gibt, die genauestens zu beachten sind.



3.4) Beschreibung der Anschlüsse:

Hier geben wir eine kurze Beschreibung der möglichen Anschlüsse der Zentrale nach außen.

- 1...3** : 230 - 120 Vac
- 4-5** : Blinklicht = Ausgang für den Anschluss an das 230 - 120 V W.S. Blinklicht, Höchstleistung der Lampe 100 W
- 6...8** : Motor 1 = Ausgang für den Anschluss an den 1. 230 - 120 V W.S. Motor
- 9...11** : Motor 2 = Ausgang für den Anschluss an den 2. 230 - 120 V W.S. Motor

Merke: Die Motoren 1 und 2 unterscheiden sich lediglich durch den Verzug beim Start; der 1. Motor ist an die Verzugszeit Öffnung "TRA" gebunden, wogegen der 2. Motor an die Verzugszeit Schließung "TRC" gebunden ist. Falls keine Verzugszeiten benötigt werden, gibt es keinen Unterschied zwischen den zwei Motoren.

Die Folgenden Klemmen sind nur in der Version **A6F** und **A700F** vorhanden:

- 12-13** : Elektroschloss = Ausgang 12 V W.S., für die Aktivierung des Elektroschlusses, Höchstleistung 25 W

Folgende Klemmen sind nur in der Version **A700F** vorhanden:

- 14-15** : Photozellentest = Ausgang 24 V W.S., für die Speisung der Sender der Photozellen, höchstens 100 mA
- 16** : Gemein = Gemein für die Endschaltereingänge (wie die andere gemeine Klemme 23)
- 17** : Endschalter C1 = Eingang für Endschalter Schließt des Motors 1
- 18** : Endschalter A1 = Eingang Endschalter Öffnet des Motors 1
- 19** : Endschalter C2 = Eingang Endschalter Schließt des Motors 2
- 20** : Endschalter A2 = Eingang Endschalter Öffnet des Motors 2
- 21-22** : 24 V W.S. = 24 V W.S. Ausgang für die Speisung der Zubehörteile (Photozelle, Funk, usw.), höchstens 200 mA
- 23** : Gemein = Gemein für alle Eingänge (als Gemein kann auch die Klemme 22 benutzt werden)
- 24** : Kontrolllampe T.O. = Ausgang für Kontrolllampe Tor Offen 24 V W.S., Höchstleistung der Kontrolllampe 2 W
- 25** : Halt = Eingang mit HALT-Funktion (Notfall, Verriegelung oder extreme Sicherheit)
- 26** : Photozelle = Eingang für Sicherheitsvorrichtungen (Photozellen, Sicherheitsleisten)
- 27** : Photozelle1 = Eingang für weitere Sicherheitsvorrichtung (Photozellen, Sicherheitsleisten)
- 28** : Schrittzklus = Eingang für zyklischen Betrieb (ÖFFNET STOP SCHLIEßT STOP)

Folgende Klemmen sind nur in der Version **A700F** vorhanden:

- 29** : Öffnet = Eingang für Öffnung (gegebenenfalls durch eine Uhr geschaltet)
- 30** : Schließt = Eingang für Schließung
- 41-42** : 2° Funkkanal = Ausgang des eventuellen, zweiten Kanals des Funkempfängers
- 43-44** : Antenne = Eingang für die Antenne des Funkempfängers

Auf der Karte der Zentrale sind zwei Steckverbinder für Sonderkarten vorhanden:

- RADIO = Steckverbinder für Funkempfänger, von **Nice** hergestellt
- PIU = Steckverbinder für Erweiterungskarte **PIU** (nur für die Version **A700F**)

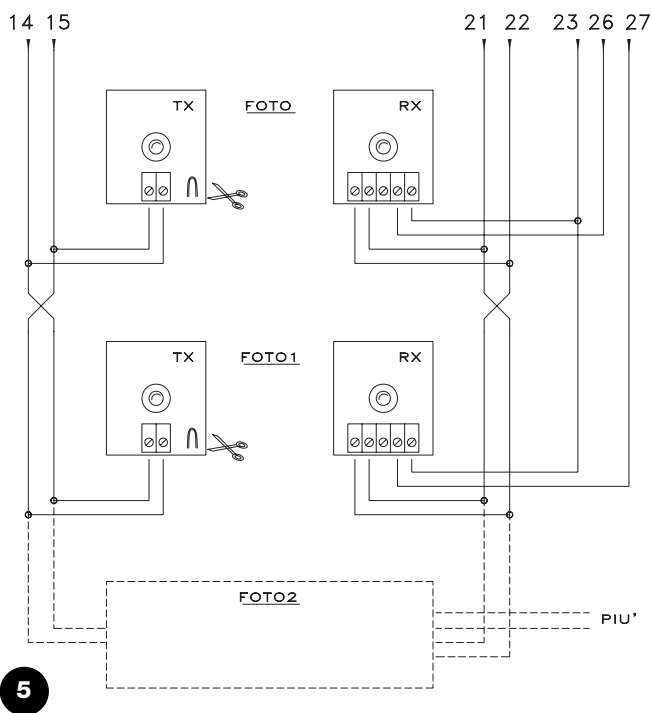
Es wird empfohlen, die eventuellen Sonderkarten RADIO oder PIU' erst nach Beendigung der Installation und nach Überprüfung der Betriebstüchtigkeit der Anlage einzubauen. Die Sonderkarten sind für den Betrieb nicht notwendig und erschweren die Suche nach eventuellen Defekten.

3.5) Anmerkungen bezüglich der Anschlüsse

Der Großteil der Anschlüsse ist sehr einfach, die meisten sind direkt mit nur einem Abnehmer oder Kontakt verbunden, bei einigen ist die Verbindung etwas schwieriger: Für den korrekten Betrieb aller Einphase-Asynchronmotoren wird ein Kondensator benötigt; einige Getriebemotoren, sind bereits mit innen angeschlossenem Kondensator ausgestattet, bei anderen muss dagegen der Kondensator außen angeschlossen werden. In diesem Fall muss der Kondensator zwischen den Motorphasen ÖFFNET und SCHLIEßT angeschlossen werden. Der Einfachheit halber sollte der Kondensator direkt im dazu bestimmten Raum in der Zentrale angebracht werden.

Der folgende Teil bezieht sich nur auf die Version A700F

Eine besondere Beschreibung verdient der Ausgang "Photozellentest", hier handelt es sich einfach um die bestmögliche Lösung, was die Zuverlässigkeit der Sicherheitsvorrichtungen betrifft. Jedesmal, wenn eine Bewegung erfolgen soll, werden die damit betroffenen Sicherheitsvorrichtungen kontrolliert, und erst, wenn alles in Ordnung ist, kann die Bewegung beginnen. Falls der Test dagegen zu keinem positiven Ergebnis führt (die Photozelle ist durch die Sonne geblendet, kurzgeschlossene Kabel, usw.), wird der Defekt festgestellt und die Bewegung wird nicht ausgeführt. All dies ist nur durch eine bestimmte Gestaltung der Anschlüsse der Sicherheitsvorrichtungen möglich (Abb. 5). Wie im Schaltplan bemerkt werden kann, werden die Empfänger der Photozellen PHOTOZELLE, PHOTOZELLE1 und eventuell PHOTOZELLE2 (auf der Karte PIU') gewöhnlich von den 24 V W.S. der Zubehörteile gespeist, wogegen die Sender die Speisung vom Ausgang Photozellentest nehmen. Wenn eine Bewegung gefordert wird, wird zuerst kontrolliert, dass alle von der Bewegung betroffenen Empfänger die Zustimmung geben, dann wird der Ausgang Photozellentest abgeschaltet und geprüft, ob alle Empfänger das Ereignis melden und die Zustimmung verweigern; am Ende wird der Ausgang Photozellentest wieder aktiviert und die Zustimmung aller Empfänger erneut geprüft. Wie bemerkt werden kann, wurde an den zwei Sendern durch das Durchtrennen der Überbrückungen der Synchronismus aktiviert; das ist die einzige Methode, um zu gewährleisten, dass sich die zwei Photozellenpaare nicht gegenseitig stören. In der Betriebsanleitung der Photozellen die Anweisungen für den Synchronbetrieb überprüfen.

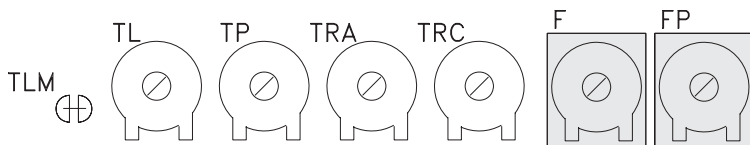


Sollte ein Eingang der Photozellen nicht benutzt werden, muss die jeweilige Klemme durch ein Relais mit 24V W.S., an den Ausgang Photozellentest angeschlossen, überbrückt werden.

- Gewöhnlich werden für Zweiflügeltore Getriebemotoren verwendet, die keine Endschalter benötigen; üblicherweise werden mechanische Endanschläge installiert, welche die Bewegung am gewünschten Punkt anhalten. In der Zentrale ist auch der Trimmer "Arbeitszeit" vorhanden, der gewöhnlich auf eine Zeit eingestellt wird, die etwas länger als die Zeit der vollständigen Bewegung ist. Wenn der Torflügel den mechanischen Endanschlag erreicht, blockiert sich der Motor und bleibt die restliche Zeit über beansprucht; die Motoren sind immer so projektiert, dass sie dieser Beanspruchung problemlos widerstehen, vor allem, wenn die Kraft unter Werten von 100 % ist.
- In einigen Installationen, zum Beispiel bei zwei Schiebetorflügeln oder falls die Funktion Positionieren ausgenutzt werden soll, könnten Endschalter nötig sein. Großteils handelt es sich dabei um "NC" Endschalter, so dass ein eventueller Defekt das Anhalten des Motors verursacht, ohne dass der Torflügel auflaufen kann. In anderen Fällen, wenn zum Beispiel magnetische Kontakte benutzt werden, kann es vorkommen, dass "NO" Endschalter benutzt werden müssen. Um die Zentrale für die Benutzung der NO-Endschalter zu aktivieren, muss die Überbrückung FC auf der Karte (Abb. 2) durchgeschnitten werden. Diese Überbrückung kann auch durchgeschnitten werden, falls die Endschalter nicht benutzt werden, wodurch vermieden wird, die entsprechenden Überbrückungen durchzuführen.
- Je nach Typ des Getriebemotors und der Funktion, die erzielt werden soll, können die Endschalter als Anzeiger des Bewegungsendpunktes (Endschalterfunktion) oder als Meldung des Anfangspunktes der Funktion Positionieren benutzt werden. Die Endschalter müssen gewöhnlich in einem Winkel von 10-20° ab dem Anhaltepunkt verlegt werden, wenn sie zum Positionieren benutzt werden, und geben den Punkt an, an dem eine noch geringere Kraft an den Motoren angebracht wird, die mit dem Trimmer KRAFT POSITIONIEREN eingestellt werden kann, so dass der mechanische Endanschlag mit der geringst möglichen Heftigkeit erreicht wird.

4) Einstellungen

- TLM** = Arbeitsmehrzeit
- TL** = Arbeitszeit
- TP** = Pausezeit
- TRA** = Verzugszeit Öffnung
- TRC** = Verzugszeit Schließung
- F** = Kraft
- FP** = Kraft Positionieren



Wenn das Tor aus 2 Flügeln besteht, die sich hindern können, falls sie in Öffnung gleichzeitig starten oder falls sich in Schließung ein Flügel über den anderen legt, müssen die Trimmer Verzugszeit Öffnung "TRA" oder Verzugszeit Schließung "TRC" eingestellt werden. Diese Trimmer können beliebig eingestellt werden, auch wenn TRA gewöhnlich so wenig wie möglich eingestellt, so dass der vom 2. Motor bewegte Torflügel bereits außerhalb des Raumbedarfs ist, wenn der 1. Motor startet.

Der Trimmer TRC muss so eingestellt werden, dass in Schließung der Torflügel des 2. Motors immer ankommt, wenn der 1. Motor die Schließbewegung bereits beendet hat. Die Verzugszeit Schließung kann für die Ausführung der 50 cm Freiraum in Schließung benutzt werden. Nun die Betriebsart "Halbautomatisch" wählen und den Dip-Switch Nr. 1 auf On stellen, dann den Trimmer Arbeitszeit auf etwa halben Weg regeln. Mit diesen Einstellungen einen ganzen Zyklus in Öffnung, dann einen in Schließung versuchen und gegebenenfalls den Trimmer Arbeitszeit so regulieren, dass während dieser Zeit ein ganzer Bewegungsvorgang ausgeführt werden kann und noch eine Zeitspanne von 2 oder 3 Sekunden bleibt. Falls keine ausreichende Zeit erzielt wird, auch wenn der Trimmer auf das Maximum gestellt wird, kann die Überbrückung TLM auf der gedruckten Schaltplatte in der Nähe des Trimmers durchgeschnitten und dadurch eine Arbeitsmehrzeit erhalten werden. In einigen Antrieben, zum Beispiel den öldynamischen Typen, ist die Kraftregelung direkt auf die Antriebsgruppe vorgesehen; für Erklärungen bezüglich der Einstellungen wird auf die Betriebsanleitung verwiesen, daher die Kraft in der Zentrale auf das Maximum eingestellt halten. Für all jene Antriebstypen, die keine Kraftregelvorrichtung enthalten, kann dagegen das Kraftregelsystem in der Zentrale ausgenutzt werden: je nach Version der benutzten Zentrale die entsprechenden Anweisungen befolgen.

Der folgende Teil bezieht sich nur auf die Version A6

An der Zentrale ist ein Trimmer KRAFT vorhanden, der gewöhnlich auf die Höchstkraft eingestellt ist; mit einem Schraubenzieher den Trimmer gegen den Uhrzeigersinn drehen, bis die Motorkraft auf den von der Norm vorgesehenen Wert reduziert wird.

Der folgende Teil bezieht sich nur auf die Versionen A6F und A700F

An der Zentrale ist ein Spartransformator mit geeigneter Leistung und Zwischeneingriffen auf die Primärwicklung vorhanden, die mit dem Umschalter KRAFT gewählt werden können; den Umschalter auf die beste Position verstellen, um die Motorkraft auf den von den Vorschriften vorgesehenen Wert zu reduzieren.

Bei jedem Regelsystem der Kraft wird in der Anfangsphase der Bewegung und für eine Dauer von 1,5 Sekunden die Höchstkraft gegeben, nur nach dieser Zeit, auch "Anlaufzeit" genannt, wird die vorgesehene Kraft eingeschaltet.

Bei Wahl der automatischen Betriebsweise (Dip-Switch Nr. 2 auf On) wird am Ende der Öffnungsbewegung eine "Pause" ausgeführt, der automatisch eine Schließbewegung folgt. Diese Zeit, in der das Tor geöffnet bleibt, kann mit dem Trimmer PAUSEZEIT ohne Einschränkungen und beliebig lang eingestellt werden.

Ein automatisches Schließen und daher die entsprechende Pause erfolgen auch bei der Bewegung in halbautomatisch, in Schließung verursacht eine Sicherheitsvorrichtung die Umkehrung der Bewegung auf Öffnung.

Wir empfehlen, erst nun, am Ende aller Einstellungen, den eventuellen Funkempfänger zu installieren, wobei zu bedenken ist, dass die von ihm kommenden Steuerungen zum Eingang SCHRITTZYKLUS geschickt werden.

4.1) Betriebsarten:

Merke: einige der hier folgend beschriebenen Teile beziehen sich nur auf die Version **A700F**

Beim manuellen Betrieb erlaubt der Eingang ÖFFNET die Öffnungsbewegung und der Eingang SCHLIEBT die Schließbewegung.

Der SCHRITTZYKLUS erlaubt die Bewegung abwechselnd in Öffnung und Schließung; sobald die Eingangssteuerung beendet ist, hält die Bewegung und eine kurze Umkehrung.

In Öffnung stoppt die Bewegung, wenn die Endschalter eingreifen, oder die Zustimmung durch PHOTOZELLE2 fehlt (auf der Karte PIU), in Schließung stoppt dagegen die Bewegung auch beim Fehlen der Zustimmung von PHOTOZELLE und PHOTOZELLE1. Sowohl in Öffnung als auch in Schließung verursacht ein Eingriff auf HALT immer ein sofortiges Anhalten der Bewegung. Nachdem eine Bewegung gestoppt ist, muss die Eingangssteuerung beendet werden, bevor mit einer erneuten Steuerung eine neue Bewegung begonnen werden kann. Bei einer der automatischen Betriebsarten (halbautomatisch, automatisch oder schließt immer) verursacht ein Steuerimpuls auf den Eingang ÖFFNET die Bewegung in Öffnung; falls die Steuerung bestehen bleibt, nachdem die Öffnung erreicht worden ist, bleibt die Bewegung in einer unendlichen Pause "eingefroren"; erst wenn die Steuerung aufhört, kann das Tor wieder geschlossen werden.

Ein Impuls auf SCHRITTZYKLUS verursacht abwechselndes Öffnen oder Schließen. Ein zweiter Impuls auf SCHRITTZYKLUS oder den gleichen Eingang, der die Bewegung begonnen hat, verursacht ein Stop. Der Eingriff auf HALT verursacht sowohl in Öffnung als auch in Schließung das sofortige Anhalten der Bewegung und eine kurze Umkehrung. Wird an einen Steuereingang statt eines Impulses ein Dauersignal beibehalten, wird ein "Vorrang"-Zustand verursacht, in dem die anderen Steuereingänge deaktiviert bleiben (nützlich für den Anschluss einer Uhr oder eines Tag-Nacht-Wählers).

Ist die automatische Betriebsweise gewählt, wird nach einer Öffnungsbewegung eine Pause ausgeführt und danach eine Schließung. Falls während der Pause ein Eingriff von PHOTOZELLE oder PHOTOZELLE1 erfolgt, wird der Zeitgeber auf eine neue Pausezeit rückgestellt; sollte dagegen während der Pausezeit ein Eingriff auf HALT erfolgen, wird die Wiederschließfunktion gelöscht und auf ein STOP übergegangen. In Öffnung haben die Eingriffe von PHOTOZELLE und PHOTOZELLE1 keine Wirkung, wogegen die PHOTOZELLE2 (auf der Karte PIU) die Umkehrung der Bewegung verursacht; in Schließung verursacht der Eingriff von PHOTOZELLE und PHOTOZELLE1 eine Umkehrung der Bewegung, dann eine Pause, dann ein erneutes Schließen.

5) Programmierung:

Die Zentrale verfügt über eine Reihe Mikroschalter, mit denen die verschiedenen Funktionen aktiviert werden können, so dass die Anlage dem Bedarf des Benutzers besser angepasst werden kann und unter den verschiedenen insatzbedingungen sicherer ist. Alle Funktionen werden aktiviert, indem der entsprechende Dip-Switch auf "On" gestellt wird, wogegen sie mit dem Dip-Switch auf "Off" nicht eingeschaltet sind; einige Funktionen haben keine sofortige Wirksamkeit und nur unter bestimmten Bedingungen einen Sinn, zum Beispiel ist die Funktion Nr. 12 "Blinkt auch in Pause" nur in der automatischen Schließung aktiv und falls die Bewegung nicht mit einer HALT Steuerung unterbrochen wird.

⚠ ACHTUNG: einige der programmierbaren Funktionen sind an Sicherheitsaspekte gebunden; daher die Wirkungen einer Funktion sehr genau bewerten und überprüfen, welche die größtmögliche Sicherheit gibt.

Bei der Wartung einer Anlage, bevor man eine programmierbare Funktion ändert, den Grund genau festlegen, warum bei der Installation bestimmte Wahlen getroffen worden sind, dann überprüfen, ob die Sicherheit durch die neue Programmierung beeinträchtigt wird.

5.1) Programmierbare Funktionen:

Mit dem Dip-Switch FUNKTIONEN können die verschiedenen Betriebsarten eingestellt und die gewünschten Funktion gemäß der folgenden Tabelle eingeschaltet werden:

Switch 1-2:	Off Off	= "Manuelle" Bewegung, bzw. Person anwesend
	On Off	= "Halbautomatische" Bewegung
	Off On	= "Automatische" Bewegung, bzw. Automatische Schließung
	On On	= "Automatische + Schließt Immer" Bewegung
Switch 3	On	= Wohnblockbetrieb <Nicht in der manuellen Betriebsart >
Switch 4	On	= Vorblinken
Switch 5	On	= Schließt sofort wieder nach Photozelle < nur in automatisch >
Switch 6	On	= Photozelle1 auch in Öffnung
Switch 7	On	= Allmähliches Anfahren
Switch 8	On	= Allmähliches Anhalten
Switch 9	On	= Druckstoß
Switch 10	On	= Höflichkeitslicht an Blinklicht

In der Version A700F ist eine zweite Dip-Switch Gruppe vorhanden, mit anderen Funktionen:

Switch 11	On	= Fnkton Positionieren < nur mit Benutzung der Endschalter >
Switch 12	On	= Blinklicht auch in Pause < snur in automatisch >
Switch 13	On	= Druckerhaltung
Switch 14	On	= Kontrollampe T.O. mit Proportionalblinken
Switch 15	On	= Aktivierung Photozellentest
Switch 16	On	= Photozelle und Photozelle1 auch in Öffnung
Switch 17	On	= Photozelle und Photozelle1 bei Beginn des Öffnungsvorgangs
Switch 18	On	= Überspringt STOP in Öffnet
Switch 19	On	= Überspringt STOP in Schließt
Switch 20	On	= SCHLIEßT wird zu ÖFFNET FUßGÄNGER

Wir erinnern daran, dass auf die Funktionen, die nur in bestimmten Fällen möglich sind, durch die Anmerkungen zwischen "<>" nach der Beschreibung der Funktion hingewiesen wird.

Offensichtlich aktiviert jeder auf "Off" gestellte Dip-Swich die beschriebene Funktion nicht.

5.2) Beschreibung der Funktionen:

Wir geben nun eine kurze Beschreibung der Funktionen, die eingeschaltet werden können, indem der entsprechende Dip-Switch auf "On" gestellt wird.

Switch 1-2: Off Off = "Manuelle" Bewegung (Person anwesend)
On Off = "Halbautomatische" Bewegung
Off On = "Automatische" Bewegung
(Automatisches Schließen)
On On = "Automatische + Schließt Immer"
Bewegung

In der "manuellen" Betriebsart wird die Bewegung nur bis zum Vorhandensein der Steuerung (Taste gedrückt) ausgeführt.

In der "halbautomatischen" Betriebsart genügt ein Steuerimpuls, damit die gesamte Bewegung bis zum Erreichen des mechanischen Endanschlags oder dem Eingriff des Endschalters ausgeführt wird. In der "automatischen" Betriebsart folgt nach einer Öffnung eine Pause und dann ein Schließen. Die Funktion "Schließt immer" greift nach einem momentanen Stromausfall ein; falls das offene Tor wahrgenommen wird, wird automatisch ein Schließvorgang gestartet, dem ein 5 Sekunden langes Vorblinken vorausgeht.

Switch 3: On = Wohnblockbetrieb <Nicht in der manuellen Betriebsart >

Im Wohnblockbetrieb kann nach dem Start einer Öffnungsbewegung die Bewegung nicht mehr durch andere Steuerimpulse auf SCHRITTZYKLUS oder ÖFFNET bis zum Ende der Öffnungsbewegung unterbrochen werden.

In der Schließbewegung verursacht ein neuer Steuerimpuls das Anhalten und die Umkehrung der Öffnungsbewegung.

Switch 4: On = Vorblinken

Bei Steuerimpuls wird zuerst das Blinklicht aktiviert und nach 5 Sekunden (2 Sekunden in manueller Betriebsart) beginnt die Bewegung.

Switch 5: On = Schließt sofort wieder nach Photozelle (nur in Automatisch)

Mit dieser Funktion kann das Tor nur die für das Durchfahren notwendige Zeit geöffnet gehalten werden; nach dem Eingriff von PHOTOZELLE oder PHOTOZELLE1 erfolgt das automatische Schließen immer mit 5 Sekunden Pause und unabhängig von der eingestellten Pausezeit.

Switch 6: On = Photozelle1 auch in Öffnung

Diese Funktion ist der einzige Unterschied zwischen der Betriebsweise von PHOTOZELLE und PHOTOZELLE1. Gewöhnlich greifen die Sicherheiten PHOTOZELLE und PHOTOZELLE1 nur bei der Schließung ein und haben in Öffnung keine Wirkung.

Wenn der Dip-Switch Nr. 6 auf "On" gestellt wird, greift PHOTOZELLE weiterhin nur in Schließung ein, PHOTOZELLE1 jedoch auch in Öffnung und verursacht eine Unterbrechung der Bewegung. In halbautomatisch oder automatisch erfolgt erneut eine Bewegung, wenn PHOTOZELLE1 wieder frei ist. Diese Betriebsart ist nützlich, um die Torbewegung zu stoppen, wenn sich dem Tor zum Beispiel ein Fahrzeug von der Innenseite her und daher in die Richtung der Bewegung nähert, ohne gleichzeitig die Bewegung anzuhalten, wenn sich das Fahrzeug von der Außenseite her nähert.

Switch 7: On = Allmähliches Anfahren

Der Beginn der Bewegung wird allmählich ausgeführt, indem dem Motor eine immer größere Kraft zugeschickt und eine Stufe gebildet wird, die etwa 1 Sekunde lang dauert; dadurch wird garantiert, dass das Anfahren behutsam erfolgt. (Sollte auf METRO getriebemotoren nicht verwendet werden).

Switch 8: On = Allmähliches Anhalten

Wenn die Bewegung endet, wird ein allmähliches Anhalten ausgeführt, indem dem Motor eine immer kleinere Kraft zugeschickt wird, mit einer Verzögerung, die etwa 1 Sekunde lang dauert; dadurch wird garantiert, dass das Anhalten behutsam erfolgt.

Aus offensichtlichen Sicherheitsgründen erfolgt das allmähliche Anhalten nicht, wenn HALT, PHOTOZELLE und PHOTOZELLE1 oder PHOTOZELLE2 (auf der Karte PIU') oder einer der Endschalter eingreifen, und wird durch ein normales Anhalten ersetzt.

Switch 9: On = Druckstoß

Wenn reversible Kolbentorantriebe benutzt werden und das Tor daher nicht allein durch den Schub der Motoren geschlossen bleibt, wird die Installation eines Elektroschlusses unbedingt nötig (für den Gebrauch siehe Anweisungen der Kolbentorantriebe).

Am Elektroschloss könnte daher jener natürliche Schub vorhanden sein, der zu der leicht geöffneten Stellung der Torflügel führt, und manchmal ist dieser Schub so groß, dass der Einrastmechanismus des Elektroschlusses blockiert bleibt. Wenn die Funktion Druckstoß eingeschaltet ist, wird vor dem Beginn einer Öffnung ein kurzer Schließzyklus aktiviert, der jedoch wirkungslos ist, da sich die Torflügel bereits am Endanschlag Schließung befinden. Das Elektroschloss wird jedoch dadurch nach seiner Aktivierung ohne jede Kraftbelastung sein und kann daher einrasten.

Switch 10: On = Höflichkeitslicht an Blinklicht

In bestimmten Fällen kann eine Beleuchtung in der Bewegungszone des Tors wünschenswert sein, und oft wird gewünscht, dass sich die Beleuchtung kurz, nachdem das Tor die Bewegung beendet hat, automatisch ausschaltet. Diese Funktion wird allgemein "Höflichkeitslicht" genannt. Wenn geeignete Leuchtkörper am Ausgang des Blinklichtes (für eine Gesamthöchstleistung von 100 W) angeschlossen werden und diese Funktion aktiviert wird, so wird der Ausgang während der gesamten Bewegung und noch 60 Sekunden danach aktiv bleiben und somit die Beleuchtung der Zone ermöglichen.

Nur in der Version **A700F** ist eine zweite Gruppe Dip-Switch vorhanden, mit anderen Funktionen

Switch 11: On = Funktion Positionieren (nur mit Benutzung der Endschalter)

Die Endschalter können statt der Signalisierung der Bewegungsgrenzen zur Angabe des Punktes benutzt werden, an dem das Positionieren beginnt. Gewöhnlich werden die Endschalter, wenn diese Funktion benutzt wird, in einem Winkel von 10-20° vor dem mechanischen Endanschlag verlegt. Auf diese Weise, wenn der Endschalter durch die Torbewegung erreicht wird, wird dem Motor 3 Sekunden lang eine geringere Kraft zugeschickt, die mit dem Trimmer "Kraft Positionieren" eingestellt werden kann, so dass der Torflügel den Endanschlag mit der geringst möglichen Heftigkeit erreicht.

Switch 12: On = Blinkt auch in Pause

Gewöhnlich wird das Blinklicht nur während der Öffnungs- oder Schließbewegung aktiviert. Diese Funktion sorgt dafür, dass das Blinklicht auch während der Pause aktiv bleibt, um das "kommende Schließen" zu melden.

Switch 13: On = Druckerhaltung

Bei den öldynamischen Kolbentorantrieben wird der Schub, um das Tor geschlossen zu halten, in einem immer unter Druck stehendem, hydraulischem Kreislauf entwickelt. Wenn die Dichte dieses Kreislaufs durch Alter und Verschleiss reduziert wird, kann es vorkommen, dass der Innendruck nach ein paar Stunden fällt, mit dem folgenden Risiko einer leichten Öffnung der Torflügel.

Wenn die Funktion Druckerhaltung eingeschaltet wird, aktiviert sich nach 4 Stunden, dann alle 4 Stunden, in denen das Tor geschlossen ist, eine kurze Schließbewegung, die nur den Zweck hat, den Druck im hydraulischen Kreislauf wieder aufzuladen.

MERKE: Die Funktionen "Druckstoß" und "Druckerhaltung" haben Sinn und werden nur bei geschlossenem Tor ausgeführt. Die interne Logik betrachtet das Tor als geschlossen, wenn der entsprechende Endschalter FCC eingegriffen hat, oder, falls die Endschalter nicht benutzt werden, wenn die vorhergehende Schließbewegung ordnungsgemäß am Ende der Arbeitszeit beendet worden ist.

Switch 14: On = Kontrollampe T.O. mit Proportionalblinken
Gewöhnlich gibt die Kontrollampe Tor Offen den Zustand des Tors an, wie folgt:

Aus: Tor vollständig geschlossen

Ein: Tor geöffnet, auch nur teilweise

Langsames Blinken: Tor in Öffnungsphase

Schnelles Blinken: Tor in Schließphase

Das Blinken der Kontrollampe während der Bewegung kann proportional gestaltet werden, von langsam auf zunehmend schnell und umgekehrt, so dass man eine Angabe des Zustandes in Öffnung oder Schließung hat.

Switch 15: On = Aktivierung Photozellentest

Für den Start einer Testphase der Photozellen, bevor eine Bewegung begonnen wird; auf diese Weise wird jede Möglichkeit einer Betriebsstörung beseitigt und die Sicherheit der Anlage erhöht. Um die Funktion Photozellentest auszunutzen, müssen die Sender der Photozellen an ihren Ausgang angeschlossen sein (siehe Anmerkungen bezüglich der Anschlüsse).

Switch 16: On = Photozelle und Photozelle1 auch in Öffnung
Gewöhnlich greifen die Sicherheiten PHOTOZELLE und PHOTOZELLE1 nur in der Schließung ein; wenn der Dip-Switch Nr. 16 aktiviert wird, verursachen die Sicherheitsvorrichtungen eine Unterbrechung der Bewegung auch in Öffnung und falls man in halbautomatisch oder automatisch ist, wird die Öffnungsbewegung erst wieder erfolgen, nachdem die Vorrichtungen frei sind.

Switch 17: On = Photozelle und Photozelle1 bei Beginn der Öffnung

Üblicherweise sind die Sicherheitsvorrichtungen PHOTOZELLE und PHOTOZELLE1 bei der Öffnungsbewegung nicht aktiv, sondern nur in Schließung, da diese die gefährlichste ist. In einigen Ländern gibt es Vorschriften, die zu einer Kontrolle der Sicherheitsvorrichtungen zumindest am Anfang auch der Bewegung Öffnet verpflichten. Wenn diese Normen beachtet werden müssen oder man das Sicherheitsniveau erhöhen will, kann die Funktion aktiviert werden, daher vor dem Beginn der Bewegung die Zustimmung der Sicherheiten PHOTOZELLE und PHOTOZELLE1 überprüfen und erst dann die Bewegung beginnen.

Switch 18: On = Überspringt STOP in Öffnet

Der Schrittzklus ist gewöhnlich: ÖFFNET-STOP-SCHLIEßT-STOP; wenn diese Funktion eingeschaltet ist, wird der Schrittzklus: ÖFFNET-SCHLIEßT-STOP-ÖFFNET, wobei der Eingang Öffnet die Möglichkeit verliert, ein STOP zu machen.

Switch 19: On = Überspringt STOP in Schließt

Wie die vorhergehende Funktion, jedoch für die Schließung, und der Schrittzklus wird daher: ÖFFNET-STOP-SCHLIEßTÖFFNET, wobei der Eingang Schließt die Möglichkeit verliert, ein STOP zu machen. MERKE: Wenn die Dip-Switch 18 und 19 auf On gestellt werden, wird der Schrittzklus ÖFFNET-SCHLIEßT-ÖFFNET, und die Möglichkeit der STOP geht endgültig verloren.

Switch 20: On = SCHLIEßT wird zu ÖFFNET FUBGÄNGER

Es kann vorkommen, dass das Tor nicht ganz geöffnet werden muss, zum Beispiel für den Durchgang eines Fußgängers. In diesem Fall wird die Funktion ÖFFNET FUBGÄNGER nützlich, die es erlaubt, nur den Torflügel, der an den 2. Motor angeschlossen ist, zu öffnen und den anderen geschlossen zu halten. Diese Öffnungsart wird vom Eingang SCHLIEßT aktiviert, der seine ursprüngliche Funktion verliert und wie der Eingang Schrittzklus wird, jedoch nur für das Öffnen eines Torflügels. Zu bemerken ist, dass sich der Zyklus Öffnet Fußgänger nur aktiviert, wenn bei geschlossenem Tor gestartet wird; falls sich das Tor bewegt oder geöffnet ist, hat der Eingangsimpuls keine Wirkung.



ZUBEHÖR: ERWEITERUNGSKARTE "PIU"

Die elektronische Zentrale verfügt über alle Hauptfunktionen, die in einer normalen Automatisierung verlangt werden, in der Version A700F wurde die Möglichkeit vorgesehen, die Sonderkarte PIU hinzuzufügen, mit der die Leistungen der Zentrale erhöht werden können.

Der folgende Teil bezieht sich nur auf die Version **A700F**

Die Karte muss in ihren Verbinder an der Zentrale eingesteckt werden, danach stehen an den Klemmen der Karte zur Verfügung:

- Folgende Eingänge: Photozelle 2 = Sicherheitsvorrichtung, die in Öffnung eingreift
Öffnet Teilweise = Führt eine Öffnungsbewegung mit einer reduzierten Zeit aus
 - Folgende Ausgänge: Rot = Rotes Licht der Ampel } Alarme
Grün = Grünes Licht der Ampel }
Elektroschloss = Steuerung des Elektroschlusses (da die Zentrale bereits über diesen Ausgang verfügt, wurde diese Funktion in "Saugnapf" geändert, um jene magnetischen Haltevorrichtungen anzubringen, die als Alternative des Elektroschlusses verwendet werden)
Höflichkeitslicht = Steuerung einer Lampe, die als Höflichkeitslicht dient
- Merke: Die Ausgänge können nur Lasten mit geringer Leistung steuern (Kontrollampen, Relais, usw.)
- und folgende Einstellungen: Zeit Teilweise = Zeit für die teilweise Öffnung
Zeit Höflichkeit = Zeit für das Höflichkeitslicht

Für die gesamten Merkmale und den Gebrauch der Karte wird auf die entsprechende Betriebsanleitung verwiesen.

6) Prüfung

Nachdem die Anschlüsse der Motoren und der verschiedenen, vorgesehenen Zubehörteile ausgeführt worden sind, kann auf die Überprüfung aller Anschlüsse und die Prüfung der Anlage übergegangen werden.

⚠ Um höchste Sicherheit zu gewährleisten, sind dies die wichtigsten Schritte bei der Realisierung der Automatisierung. Die Abnahme kann auch als regelmäßige Überprüfungen der Bestandteile des Automatismus verwendet werden.

Die Abnahme der gesamten Anlage muss von erfahrener Fachpersonal ausgeführt werden, das die erforderlichen Tests je nach vorhandenem Risiko auszuführen und die Einhaltung des von Gesetzen, Vorschriften und Verordnungen Vorgesehenen zu überprüfen hat, und insbesondere alle Anforderungen der Norm EN12445, die Testmethoden zur Überprüfung von Torautomatismen festlegt.

Es wird empfohlen, auf manuell und mit allen Funktionen deaktiviert (Dip-Switch auf Off) vorzugehen, wenn die Steuertaste im manuellen Betrieb losgelassen wird, erfolgt das sofortige Anhalten des Motors. Außerdem prüfen, ob alle Einstell-Trimmer auf dem Minimum sind (gegen den Uhrzeigersinn gedreht), nur der Trimmer KRAFT (in **A6**) oder der Umschalter KRAFT (in **A6F** und **A700F**) kann auf das Maximum gestellt werden, der Trimmer Kraft Positionieren (in **A700F**) muss auf halben Weg gestellt werden.

Für jedes einzelne Element des Automatismus wie zum Beispiel Schaltleisten, Photozellen, Notstops usw. ist eine spezielle Abnahmephase erforderlich; für diese Vorrichtungen sind die Verfahren in den jeweiligen Anleitungen auszuführen.

Prüfen, ob alles in der vorliegenden Anweisung und insbesondere das in Kapitel 1 "Hinweise" angegebene genauestens eingehalten ist.

- A)** Das Tor entriegeln und die Torflügel auf die Hälfte ihres Laufs bringen, dann blockieren; das Tor kann sich dadurch sowohl in Öffnung als auch in Schließung frei bewegen.
- B)** Die Zentrale speisen und prüfen, dass zwischen den Klemmen 1-2 und 1-3 230 -120 V W.S. und an den Klemmen 21-22 24 V W.S. vorhanden sind.

Der folgende Teil bezieht sich nur auf die Version **A700F**

- C)** Überprüfen, dass an den Klemmen 14-15 eine Spannung von 24 V W.S. für die Speisung der Photozellensender vorhanden ist.

Sobald die Zentrale gespeist wird, müssen die Kontrollampen (LEDs) an den aktiven Eingängen aufleuchten, außerdem muss die "OK"-Led nach ein paar Augenblicken regelmäßig zu blinken beginnen. Sollte das alles nicht erfolgen, sofort den Strom wegnehmen und die Anschlüsse genauer kontrollieren.

- Die in der Mitte der Karte angeordnete "OK"-Leuchtdiode hat die Aufgabe, den Zustand der internen Logik zu melden: ein regelmäßiges Blinken einmal pro Sekunde bedeutet, dass der interne Mikroprozessor aktiv ist und auf Steuerungen wartet. Wenn der Mikroprozessor dagegen eine Änderung des Zustandes eines Eingangs wahrnimmt (sowohl Steuereingang als auch Dip-Switch der Funktionen), erzeugt er ein doppeltes Schnellblinken, auch wenn die Änderung keine sofortigen Wirkungen hat. Ein 3 Sekunden langes, sehr schnelles Blinken bedeutet, dass die Zentrale soeben gespeist worden ist und einen Test der internen Teile ausführt; ein unregelmäßiges und nicht konstantes Blinken bedeutet, dass der Test nicht positiv beendet wurde und daher ein Defekt vorliegt.
- D)** Nun prüfen, ob die Leds der Eingänge mit NC-Kontakten eingeschaltet (alle Sicherheiten aktiv) und die Leds der Eingänge mit NO-Kontakten ausgeschaltet sind (keine Steuerung vorhanden); sollte das nicht erfolgen, die Anschlüsse und die Leistungsfähigkeit der verschiedenen Vorrichtungen kontrollieren.
- E)** Den korrekten Betrieb aller Sicherheitsvorrichtungen der Anlage überprüfen (Notabstellung, Photozellen, Sicherheitsleisten, usw.); bei jedem Eingriff dieser Vorrichtungen müssen sich die entsprechenden Leds HALT, PHOTOZELLE und PHOTOZELLE1 ausschalten.
- Diese Überprüfung ist eine der wichtigsten und muss immer mit größter Aufmerksamkeit gemacht werden; vom korrekten Betrieb der Sicherheitsvorrichtungen hängt die gesamte "aktive" Sicherheit der Tormaschine ab. Auch wenn das Blinklicht ein optimales Gerät zur Meldung von Gefahren ist und die Drehmomentbegrenzer ein gültiges Hilfsmittel zur Begrenzung von Schäden sind, kann nur die korrekte Installation der Sicherheitsvorrichtung gewährleisten, dass der Automatismus blockiert wird, bevor Schäden verursacht werden.

Der folgende Teil bezieht sich nur auf die Version **A700F**

- F)** Wenn die Endschaltereingänge benutzt werden, muss überprüft werden, ob die Anschlüsse richtig sind. Einen Torflügel nach dem anderen bewegen und prüfen, dass der Endschalter eingreift, wenn der gewünschte Punkt erreicht ist, wodurch die entsprechende Led an der Zentrale ausgeschaltet wird (oder eingeschaltet wird, wenn NO-Endschalter installiert sind).

- Nun muss geprüft werden, ob die Bewegung in die korrekte Richtung erfolgt, d.h. ob die von der Zentrale vorgesehene Bewegung mit der tatsächlichen Bewegung der Torflügel übereinstimmt. Diese Überprüfung ist wesentlich, wenn die Richtung verkehrt ist, könnte das Tor in einigen Fällen (zum Beispiel im halbautomatischen Betrieb) anscheinend ordnungsgemäß funktionieren, da in der Tat der Zyklus ÖFFNET dem Zyklus SCHLIEBT ähnlich ist, jedoch mit dem grundlegenden Unterschied, dass die Sicherheitsvorrichtungen beim Schließvorgang, der gewöhnlich der gefährlichste ist, ignoriert werden und bei der Öffnung eingreifen und ein erneutes Schließen verursachen werden, wobei das Hindernis mit verheerenden Wirkungen getroffen wird!

G) Um zu prüfen, ob die Drehrichtung korrekt ist, genügt ein kurzer Impuls auf den Eingang Schrittzklus; die erste, von der Zentrale ausgeführte Bewegung nach ihrer Speisung ist immer ÖFFNET, es genügt daher, zu prüfen, ob sich das Tor in die Öffnungsrichtung bewegt; falls die Bewegung dagegen in die falsche Richtung erfolgte:

- 1 - muss die Speisung abgeschaltet werden
- 2 - müssen die Anschlüsse "ÖFFNET" und "SCHLIEBT" des Motors oder der Motoren, die sich in die entgegengesetzte Richtung drehen, umgekehrt werden.

Nachdem das beschriebene ausgeführt worden ist, erneut prüfen, ob die Drehrichtung korrekt ist und die Arbeiten in Punkt "G" wiederholen.

H) Nachdem alle Anschlüsse und die Drehrichtung der Motoren überprüft worden sind, kann eine vollständige Bewegung der Torantriebe versucht werden; es wird empfohlen, immer auf

manuell und mit allen Funktionen deaktiviert vorzugehen. Wird als Steuerung der Eingang Schrittzklus verwendet, so muss die erste Bewegung (nach dem Einschalten) in Öffnung sein. Durch Betätigung der Steuereingänge das Tor bis zum Öffnungspunkt bewegen; wenn sich alles ordnungsgemäß abgespielt hat, kann auf die Schließbewegung übergegangen und das Tor bis zum Anhaltepunkt bewegt werden.

Es ist besser, mehrere auf-zu Bewegungen auszuführen, um eventuelle Defekte der mechanischen Struktur der Automatisierung und das Vorhandensein besondere Reibungspunkte festzustellen.

I) Nun den Eingriff der Sicherheitsvorrichtungen testen, PHOTO und PHOTOZELLE1 haben in Öffnung keine Wirkung und verursachen in Schließung das Anhalten der Bewegung. Wenn die Karte PIU' vorhanden ist, auch den Betrieb des Eingangs PHOTOZELLE2 testen, in Schließung hat er keine Wirkung, in Öffnung wird das Anhalten der Bewegung verursacht. Die am Eingang HALT angeschlossenen Vorrichtungen wirken sowohl in Öffnung als auch in Schließung und verursachen immer das Anhalten der Bewegung.

L) Die durch die Flugbewegung verursachten Gefahren mittels Begrenzung der Aufprallkraft abgesichert worden sind, muss die Kraft nach den Verordnungen der Vorschrift EN 12445 gemessen werden. Falls die Kontrolle des "Motorleistung" als Hilfsmittel für das System zur Aufprallkraftreduzierung benutzt werden, die Einstellungen testen und definieren, mit welcher Einstellung die besten Ergebnisse erzielt werden.

6.1) Inbetriebsetzung

Die Inbetriebsetzung darf erst erfolgen, nachdem alle Abnahmephasen von RUN sowie der anderen Vorrichtungen erfolgreich beendet sind. Eine teilweise oder vorübergehende Inbetriebsetzung ist unzulässig.

1. Die technischen Unterlagen der Automatisierung zusammenstellen und diese mindestens 10 Jahre lang aufbewahren. Sie müssen mindestens umfassen: Gesamtzeichnung der Automatisierung, Schaltplan mit den elektrischen Anschlüssen, Risikoanalyse und jeweilige angewendete Lösungen, Konformitätserklärung des Herstellers für alle benutzten Vorrichtungen (für **A6 – A6F – A700F** die anliegende "CE-Konformitätserklärung" verwenden), Kopie der Bedienungsanweisungen und des Wartungsplans der Automatisierung.

2. Am Tor ein Schild mit mindestens folgenden Daten anbringen: Automatisierungstyp, Name und Adresse des Herstellers (Verantwortlicher der "Inbetriebsetzung"), Seriennummer, Baujahr und CE-Markierung.

3. In Tornähe auf bleibende Art ein Etikett oder ein Schild befestigen, das die Angaben zur Durchführung der Entriegelung und der Bewegung von Hand enthält.

4. Die Konformitätserklärung der Automatisierung anfertigen und dem Inhaber aushändigen.

5. Das Handbuch "Anweisungen und Hinweise für die Bedienung der Automatisierung" anfertigen und dem Inhaber der Automatisierung übergeben.

6. Den Wartungsplan der Automatisierung anfertigen und dem Inhaber aushändigen (er muss alle Wartungsvorschriften der einzelnen Vorrichtungen enthalten).

7. Vor der Inbetriebsetzung des Automatismus, den Inhaber auf geeignete Weise und schriftlich (z.B. in den "Anweisungen und Hinweise für die Bedienung der Automatisierung") über die noch vorhandenen Gefahren und Risiken informieren.

7) Wartung und Entsorgung

⚠ Dieses Kapitel enthält die Informationen zur Anfertigung des Wartungsplans und für die Entsorgung von **A6 – A6F – A700F**.

7.1) Wartung

Um das Sicherheitsniveau konstant zu halten und die längste Dauer der ganzen Automatisierung zu garantieren, ist eine regelmäßige Wartung erforderlich.

Die Wartung muss unter genauester Einhaltung der im vorliegenden Handbuch verzeichneten Sicherheitsbestimmungen und der Verordnungen der gültigen Gesetze und Vorschriften ausgeführt werden.

Sollten Vorrichtungen vorhanden sein, die anders als **A6 – A6F – A700F** sind, das in ihrem Wartungsplan vorgesehene ausführen.

1. Für **A6 – A6F – A700F** ist max. innerhalb von 6 Monaten oder 10.000 Bewegungen nach der vorherigen Wartung eine programmierte Wartung erforderlich.

2. Alle elektrischen Versorgungsquellen abtrennen.

3. Die Verschlechterung aller Materialien der Automatisierung überprüfen, mit besonderer Achtung auf Erosions- oder Roststellen an strukturellen Teilen; Teile, die nicht genügend Garantie geben, müssen ersetzt werden.

4. Die elektrischen Versorgungsquellen wieder anschließen und alle in Punkt "6 Abnahme" vorgesehenen Tests und Überprüfungen ausführen.

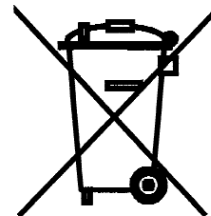
7.2) Entsorgung

Wie die Installation muss auch die Entsorgung am Lebensende dieses Produktes durch Fachpersonal ausgeführt werden.

Das vorliegende Produkt besteht aus verschiedenen Werkstoffen, von denen einige recycled werden können. Andere müssen dagegen entsorgt werden. Informieren Sie sich über die für diese Produkte örtlich vorgesehenen Entsorgungs- und Recyclingsysteme.

⚠ Einige Teile des Produktes können Schadstoffe oder gefährliche Substanzen enthalten, die - falls in die Umwelt gegeben - Umwelt- und Gesundheitsschäden verursachen würden.

Wie das Symbol in Abbildung angibt, darf dieses Produkt nicht in den Hausmüll gegeben werden. Differenziert und nach den örtlich vorgesehenen Verordnungen entsorgen oder das Produkt dem Verkäufer beim Kauf eines neuen, gleichwertigen Produktes zurückgeben.



Die örtlichen Verordnungen können schwere Strafen im Fall einer gesetzwidrigen Entsorgung dieses Produktes vorsehen.

8) Zubehör

A6 – A6F – A700F kann mit folgendem Sonderzubehör ausgestattet werden:

KARTE "PIU":

Die Zentrale enthält bereits alle Funktionen, die bei einer normalen Installation benützt werden, um aber auch den Erfordernissen besonderer Anlagen gerecht zu werden, wurde eine Sonderkarte, die Karte "PIU" entwickelt, mit der neue Funktionen hinzugefügt werden können, wie Ampel, Höflichkeitslicht, Elektromagnet, Photozelle2, Teilöffnung der 2 Torflügel.

KARTE "RADIO":

In der Zentrale ist ein Steckverbinder für eine Funkkarte vorbereitet, mit welcher der Eingang SCHRITTBETRIEB betätigt werden kann, wodurch die Fernsteuerung der Zentrale über Sender möglich wird.

Für die vollständige und aktualisierte Zubehörliste wird auf den Produktkatalog der Nice S.p.a. verwiesen.

9) Technische Merkmale

Für eine Verbesserung der Produkte behält sich NICE S.p.A. das Recht vor, die technischen Merkmale jederzeit und ohne vorherige Benachrichtigung zu ändern, wobei aber die vorgesehenen Funktionalitäten und Einsätze garantiert bleiben.

Alle technischen Merkmale beziehen sich auf eine Umgebungstemperatur von 20°C (±5°C).

Modell Typ	A6 -A6/V1	A6F -A6F/V1	A700F -A700F/V1
Speisung A6 – A6F – A700F	230 Vac ± 10%, 50 - 60 Hz		
Speisung A6/V1 – A6F/V1 - A700F/V1	120 Vac ± 10%, 50 - 60 Hz		
Höchstleistung der Torantriebe 230 Vac	300 W [1,3 A]		
Höchstleistung der Torantriebe /V1 120 Vac	300 W [2,5 A]		
Höchstleistung des Blinklichtes	100W		
Max. Häufigkeit der Betriebszyklen	undegrenzt		
Max. Dauerbetriebszeit	undegrenzt		
Höchststrom der 24 V W.S. Zubehörteile	200 mA		
Höchststrom des Photozellentestausgangs	/	/	100 mA
Höchstleistung Kontrollampe T.O. (24Vac)	2 W		
Höchstleistung Elektroschloss 12 Vac	/	15 VA	15 VA
Arbeitszeit	von 2,5 bis 40 Sek. (von 30 bis 80 Sek. con TLM)		
Pausezeit	von 5 bis 80 Sek.		
Verzugszeit Öffnung (TRA)	0 oder von 2.5 bis 12 Sek.		
Verzugszeit Schließung (TRC)	0 oder von 2.5 bis 12 Sek.		
Krafteinstellung	von 0 bis 100 %	30%-45%-60%-80%-100%	
Betriebstemperatur	-20 ÷ 50 °C		
Maße	280 x 220 x 110 mm		
Gewicht	1,7 Kg	2,7 Kg	2,7 Kg
Schutzgrad	IP55 (unbeschädigte Box)		

Wir gratulieren Ihnen zur Wahl eines Nice Produktes für Ihre Automatisierung! Nice S.p.A. stellt Bestandteile für die Automatisierung von Türen und Toren, Rollläden und Markisen her: Toröffner, Steuerungen, Funksteuerungen, Blinkleuchten, Photozellen und Zubehör. Nice verwendet ausschließlich Werkstoffe und Verarbeitungen höchstehender Qualität und ist aufgrund der Nice Betriebsphilosophie immer auf der Suche nach innovativen Lösungen, um die Verwendung der Nice Apparaturen, vom technischen, ästhetischen und ergonomischen Standpunkt her besonders gepflegt, zu erleichtern: Ihr Installateur wird bestimmt das richtige Produkt in der großen Nice Palette für Sie ausgewählt haben. Nice ist jedoch nicht der Hersteller Ihrer Automatisierung, die das Ergebnis von Analysen, Bewertungen, Auswahl der Materialien und der Durchführung der Anlage durch Ihren Vertrauensinstallateur ist. Jede Automatisierung ist einzigartig, und nur Ihr Installateur besitzt die Erfahrung und Professionalität, die notwendig sind, um eine Anlage nach Ihrem Bedarf auszuführen, die sicher und dauerhaft zuverlässig und vor allem fachgerecht ist bzw. den gültigen Vorschriften entspricht. Eine Automatisierungsanlage ist etwas sehr bequemes, aber auch ein wertvolles Sicherheitssystem und dauert mit nur wenigen Eingriffen bestimmt jahrelang. Auch wenn Ihre Automatisierung den von den Vorschriften geforderten Sicherheitsniveaus entspricht, schließt dies das Vorhandensein von "Restrisiken" nicht aus, womit die Möglichkeit gemeint ist, dass gewöhnlich aufgrund eines verantwortungslosen oder falschen Gebrauchs Gefahren erzeugt werden können; wir möchten Ihnen deshalb ein paar Ratschläge geben, wie Sie sich verhalten sollten, um allen Unannehmlichkeiten aus dem Weg zu gehen:

• **Bevor Sie die Automatisierung zum ersten Mal verwenden**, lassen Sie sich von Ihrem Installateur erklären, wie Restrisiken entstehen können, und widmen Sie dem Lesen der **Anweisungen und Hinweise für den Benutzer**, die Ihnen Ihr Installateur aushändigen wird, ein paar Minuten. Bewahren Sie die Anleitung für zukünftige Zweifelsfälle auf und übergeben Sie diese ggf. einem neuen Besitzer der Automatisierung.

• **Ihre Automatisierung ist eine Maschine, die Ihre Befehle getreu durchführt**; ein verantwortungsloser und unsachgemäßer Gebrauch kann gefährlich werden: verursachen Sie keine Bewegung der Automatisierung, wenn sich Personen, Tiere oder Gegenstände in ihrem Aktionskreis befinden.

• **Kinder**: eine Automatisierungsanlage gewährleistet einen hohen Sicherheitsgrad und verhindert mit ihren Schutzsystemen, dass sie sich bei Anwesenheit von Personen und Gegenständen bewegt, und gewährleistet eine immer vorhersehbare und sichere Aktivierung. Als Vorsichtsmaßnahme sollte man aber Kindern verbieten, in der Nähe der Automatisierung zu spielen, und man sollte die Fernbedienungen nicht in der Reichweite von Kindern lassen: es handelt sich **nicht um ein Spiel!**

• **Die Photozellen sind keine Sicherheitsvorrichtung**, sondern nur eine Hilfseinrichtung zur Sicherheit. Sie sind mit einer sehr zuverlässigen Technologie hergestellt, können aber unter extremen Bedingungen Betriebsstörungen unterliegen oder defekt werden; in bestimmten Fällen könnte der Defekt nicht sofort augenscheinlich sein.

Aus diesen Gründen und als allgemeine Sicherheitsvorschriften gilt daher:

- Die Durchfahrt ist nur gestattet, wenn das Tor ganz geöffnet ist und sich die Torflügel nicht bewegen.
- **DIE DURCHFahrt IST UNTERSAGT**, solange sich das Tor schließt!

Den korrekten Betrieb der Photozellen regelmäßig überprüfen und die vorgesehenen Kontrollen / Wartungsarbeiten mindestens alle 6 Monate ausführen lassen.

• **Störungen**: schalten Sie die Stromversorgung zur Anlage ab, sobald Sie ein ungewöhnliches Verhalten der Automatisierung

bemerken, und führen Sie die manuelle Entriegelung aus. Versuchen Sie nie, selbst Reparaturen auszuführen, sondern fordern Sie den Eingriff Ihres Vertrauensinstallateurs an: in der Zwischenzeit, nachdem Sie den Getriebemotor wie weiter vorne beschrieben entriegelt haben, kann die Anlage wie eine nicht automatisierte Vorrichtung funktionieren.

• **Wartung**: wie jede Maschine benötigt auch Ihre Automatisierung eine regelmäßige Wartung, damit sie so lange wie möglich und in voller Sicherheit funktionieren kann. Vereinbaren Sie mit Ihrem Installateur einen programmierten Wartungsplan. Nice empfiehlt eine programmierte Wartung alle sechs Monate bei Normalgebrauch für den Haushalt, dieser Zeitraum kann aber je nachdem, wie häufig die Anlage benutzt wird, unterschiedlich sein. Arbeiten wie Wartung, Kontrollen und Reparaturen dürfen nur von Fachpersonal ausgeführt werden.

• Auch wenn Sie meinen, dass Sie wissen, wie das gemacht wird, ändern Sie die Anlage und die programmierten Parameter sowie die Einstellungen der Automatisierung nicht: diese Verantwortung steht Ihrem Installateur zu.

• Die Endabnahme, die periodischen Wartungen und eventuelle Reparaturen müssen von dem, der diese Arbeiten ausführt, belegt sein, und diese Belege müssen vom Besitzer der Anlage aufbewahrt werden.

Die einzigen Eingriffe, die Sie ausführen und periodisch auch ausführen sollten, sind die Reinigung der Gläser an den Photozellen und die Entfernung eventueller Blätter oder Steine, die den Automatismus behindern könnten. Um zu verhindern, dass jemand das Tor betätigt, entriegeln Sie vor diesen Arbeiten den Automatismus. Zur Reinigung nur ein mit Wasser leicht benetztes Tuch verwenden.

• **Entsorgung**: Versichern Sie sich, dass die Entsorgung am Ende der Lebensdauer Ihrer Automatisierung von Fachpersonal gemacht wird und dass die Materialien nach den örtlich gültigen Vorschriften recycled oder entsorgt werden.

• **Im Falle von Defekten oder bei Stromausfall**: Warten Sie auf Ihren Installateur oder bis der Strom wieder vorhanden ist, falls Ihre Anlage keine Pufferbatterie hat; die Anlage kann wie eine beliebige nicht automatisierte Öffnungsvorrichtung betätigt werden. Dazu muss die manuelle Entriegelung ausgeführt werden. Dieser Vorgang, der einzige, den der Benutzer der Automatisierung ausführen kann, wurde mit besonderer Aufmerksamkeit von Nice behandelt, damit Sie diese Vorrichtung immer mit größter Einfachheit, ohne Werkzeug und ohne körperliche Anstrengungen betätigen können.

• **Ersatz der Batterie der Fernbedienung**: falls Ihre Funksteuerung nach einiger Zeit anscheinend schlechter oder gar nicht funktioniert, so könnte das ganz einfach von der leeren Batterie abhängen (je nach Batterie kann das nach mehreren Monaten bis zu über einem Jahr geschehen). Sie können das an dem Leuchtmelder bemerken, der die Sendung bestätigt und nur schwach oder gar nicht oder nur ganz kurz leuchtet. Bevor Sie sich an den Installateur wechseln, versuchen Sie, die Batterie mit der eines anderen, funktionierenden Senders auszuwechseln: sollte das die Ursache sein, genügt es, die alte Batterie mit einer anderen gleichen Typs auszuwechseln. Batterien enthalten Schadstoffe: nicht in den Hausmüll geben, sondern nach den örtlichen Vorschriften entsorgen.

Sind Sie zufriede? Wenn Sie eine neue Automatisierung für Ihr Haus wollen und sich an denselben Installateur und an Nice wenden, werden Sie sich die Beratung eines Fachmanns und die fortgeschrittensten Produkte auf dem Markt, aber auch den besten Betrieb und die größte Verträglichkeit zwischen den Automatisierungen zusichern. Wir danken Ihnen, dass Sie diese Ratschläge gelesen haben, und wünschen Ihnen größte Zufriedenheit mit Ihrer neuen Anlage: wenden Sie sich für gegenwärtige oder zukünftige Bedarfsfälle vertrauensvoll an Ihren Installateur.



Mindy

A6 - A6F A700F

Índice:	pág.				
1	Advertencias	59	5	Programación	65
2	Descripción del producto y uso previsto	60	5.1	Funciones programables	66
2.1	Límites de utilización	61	5.2	Descripción de las funciones	66
2.2	Instalación típica	61	6	Ensayo	68
2.3	Lista de cables	61	6.1	Puesta en servicio	69
3	Instalación	62	7	Mantenimiento y desguace	69
3.1	Controles preliminares	62	7.1	Mantenimiento	69
3.2	Fijación	62	7.2	Desguace	70
3.3	Esquema de las conexiones	62	8	Accesorios	70
3.4	Descripción de las conexiones	63	9	Características técnicas	70
3.5	Notas sobre las conexiones	64			
4	Regulaciones	64			
4.1	Modalidades de funcionamiento	65			

1) Advertencias

Este manual de instrucciones contiene informaciones importantes en materia de seguridad para la instalación; es necesario leer detenidamente todas las instrucciones antes de comenzar la instalación. Conserve este manual en buenas condiciones para su consultación posterior.

Considerando las situaciones de peligro que pueden generarse durante la instalación y el uso oportuno que también la instalación sea realizada respetando plenamente las leyes, normas y reglamentos.

En este capítulo se indicarán las advertencias de tipo general; otras advertencias importantes están presentes en los capítulos "3.1 Controles preliminares"; "6 Ensayo y puesta en servicio".

⚠ Según la legislación europea más reciente, la realización de una puerta o portón automático entra en el ámbito de las disposiciones de la Directiva 98/37/CE (Directiva de Máquinas) y, en particular, en las normas: EN 13241-1 (norma armonizada); EN 12445; EN 12453 y EN 12635, que permiten declarar la conformidad con la directiva de máquinas.

Otras informaciones, directrices para el análisis de los riesgos y la realización del Expediente Técnico están disponibles en: "www.nice-foryou.com". Este manual está destinado exclusivamente a personal técnico cualificado para la instalación. Salvo el anexo específico, que el instalador se encargará de separar, "Instrucciones y advertencias para el usuario ninguna de las informaciones aquí incluidas puede ser de interés para el usuario final.

- Está prohibido utilizar con una finalidad diferente de aquella dispuesta en estas instrucciones; un uso inadecuado puede causar peligros o daños a las personas o bienes.
- Antes de comenzar la instalación, es necesario realizar el análisis de los riesgos, que incluye la lista de los requisitos esenciales de seguridad previstos en el anexo I de la Directiva de Máquinas, indicando las relativas soluciones adoptadas. Recuérdese que el análisis de los riesgos es uno de los documentos que forman el "expediente técnico" de la automatización.
- Compruebe si es necesario incorporar otros dispositivos que puedan servir para completar el automatismo según la situación de empleo específica y los peligros presentes: por ejemplo, deben considerarse los peligros de choque, aplastamiento, amputación, arrastre, etc. y otros peligros en general.
- No modifique ninguna parte salvo que esté previsto en estas instrucciones; los trabajos de este tipo pueden causar solamente desperfectos; NICE no es responsable de los daños que deriven de productos modificados.
- Durante la instalación y el uso procure que no puedan entrar elementos sólidos o líquidos dentro de la central o de otros dispositivos abiertos; de ser oportuno, diríjase al servicio de asistencia NICE; el uso en situaciones análogas puede originar situaciones peligrosas.
- El automatismo no puede utilizarse antes de haberlo puesto en servicio tal como especificado en el capítulo: "6 Ensayo y puesta en servicio".
- El material de embalaje debe eliminarse respetando la normativa local.
- Si el desperfecto no pudiera resolverse utilizando las informaciones indicadas en este manual, diríjase al servicio de asistencia NICE.
- Si se desconectaran los interruptores automáticos o los fusibles, antes de restablecerlos hay que localizar y eliminar la avería.
- Antes de acceder a los bornes en el interior de la tapa, desconecte todos los circuitos de alimentación; si el dispositivo de desconexión no queda a la vista, colóquele un cartel: "ATENCIÓN MANTENIMIENTO EN CURSO".

Advertencias especiales sobre la idoneidad para el uso de este producto con relación a la Directiva de "Máquinas" 98/37/CE (ex 89/392/CEE):

- Este producto se comercializa como "componente de máquina" y es fabricado para ser incorporado en una máquina o para ser ensamblado con otras maquinarias, a fin de realizar "una máquina", con arreglo a la Directiva 98/37/CE, sólo combinándolo con otros componentes y según las pautas descritas en este manual de instrucciones. Tal como previsto por la directiva 98/37/CE, se advierte que no se permite la puesta en servicio de este producto hasta que el fabricante de la máquina, donde se incorporará el producto, no la haya identificado y declarado conforme a la directiva 98/37/CE.

Advertencias especiales sobre la idoneidad para el uso de este producto con relación a la Directiva "Baja Tensión" 73/23/CEE y su modificación posterior 93/68/CEE:

- Este producto responde a los requisitos previstos por la Directiva "Baja Tensión", si se lo emplea para el uso y en las configuraciones previstas en este manual de instrucciones, y combinado con los artículos presentes en el catálogo de productos de Nice S.p.a. Los requisitos podrían no ser garantizados si el producto se utiliza en configuraciones diferentes o con otros productos no previstos; está prohibido utilizar el producto en estas condiciones, hasta que la persona que ejecuta la instalación haya verificado que responde a los requisitos previstos por la directiva.

Advertencias especiales sobre la idoneidad para el uso de este producto con relación a la Directiva "Compatibilidad Electromagnética" 89/336/CEE y modificación siguiente 92/31/CEE y 93/68/CEE:

- Este producto ha sido sometido a los ensayos en materia de compatibilidad electromagnética en las situaciones de uso más duras, en las configuraciones previstas en este manual de instrucciones y en combinación con los artículos presentes en el catálogo de productos de Nice S.p.A. Si el producto se utilizara con configuraciones o con otros productos no previstos, podría perderse la garantía de la compatibilidad electromagnética; en dichas condiciones, está prohibido el uso del producto hasta que la persona que efectúa la instalación haya verificado que responde a los requisitos previstos por la directiva.

2) Descripción del producto y uso previsto

La central electrónica se utiliza para accionar el movimiento de las verjas y puertas automáticas; puede conectarse a accionadores electro-mecánicos equipados con motores asíncronos monofásicos. El presente manual de instrucciones se refiere a varias versiones de la misma central; dichas versiones se diferencian por las funciones programables, por las entradas disponibles y por un método diferente usado para el control de la fuerza de los accionadores:

A6: Versión base, regulación de la fuerza electrónica de parcialización de fase

A6F: Versión base, regulación de la fuerza electromecánica con transformador automático conmutable

A700F: Versión completa, regulación de la fuerza electromecánica con transformador automático conmutable

La central permite el accionamiento en modalidad "manual", "semiautomático" o "automático"; durante el movimiento se controlan los asensos de los dispositivos de seguridad (entradas STOP, FOTOCÉLULA, FOTOCÉLULA1); en la versión **A700F**, microinterruptores controlan los límites de movimiento, mientras que en la versión **A6** el movimiento es por tiempo.

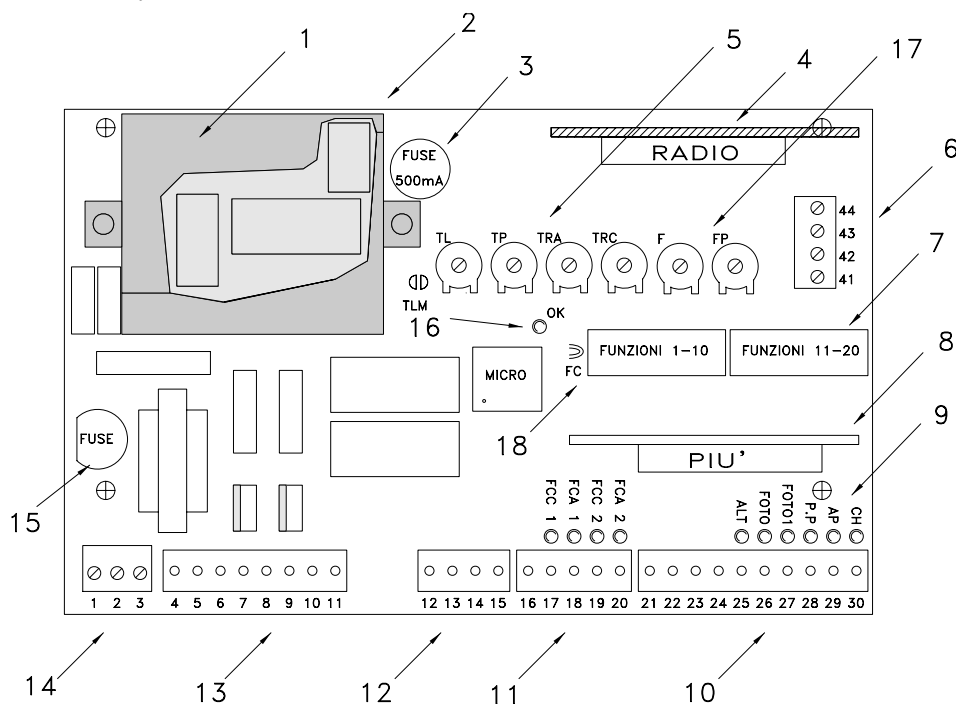
Dispone de funciones de tipo lógico que van desde "Memoria del movimiento" hasta "Cierra inmediatamente después de Fotocélula", pasando por "Cierra siempre", y de funciones particulares de tipo operativo: "Arranque gradual", "Parada gradual".

En la versión **A700F**, con la introducción de la tarjeta de expansiones modelo "PIU", se amplían aún más las funciones a través de otras entradas y salidas.

Todas las centrales están preajustadas para poder introducir una gran gama de radiorreceptores producidos por Nice.

Durante el planeamiento se han adoptado técnicas avanzadas, para garantizar la máxima inmunidad por lo que concierne a las interferencias, la mayor flexibilidad de uso y la más variada elección de funciones programables.

Antes de comenzar con la instalación de la central y efectuar las conexiones, es oportuno describir brevemente los elementos más importantes que se encuentran en la tarjeta.



- 1:** Transformador de alimentación (sólo A6)
- 2:** Conexiones para el transformador automático exterior (solo A6F o A700F)
- 3:** Fusible 500 mA rápido en la alimentación de 24 Vca
- 4:** Conexión para la tarjeta RADIO
- 5:** Trimmer de regulación de los tiempos
- 6:** Tablero de bornes Antena y salida del 2º canal RADIO
- 7:** Dip-switch para seleccionar las funciones
- 8:** Conexión para la tarjeta PIU' (sólo A700F)
- 9:** Led de indicación del estado de las entradas
- 10:** Tablero de bornes de las entradas de los dispositivos de seguridad y mandos
- 11:** Tablero de bornes de las entradas de los microinterruptores (sólo A700F)
- 12:** Tablero de bornes de las salidas de la electrocerradura (solo A6F o A700F) y Fototest (sólo A700F)
- 13:** Tablero de bornes de las salidas de la luz intermitente y de los motores
- 14:** Tablero de bornes de la alimentación
- 15:** Fusible rápido en la alimentación (5A para 230Vca) o (6,3A para 120Vca)
- 16:** Led OK
- 17:** Trimmer de regulación de la fuerza
- 18:** Conector puente FC para microinterruptor normalmente abiertos

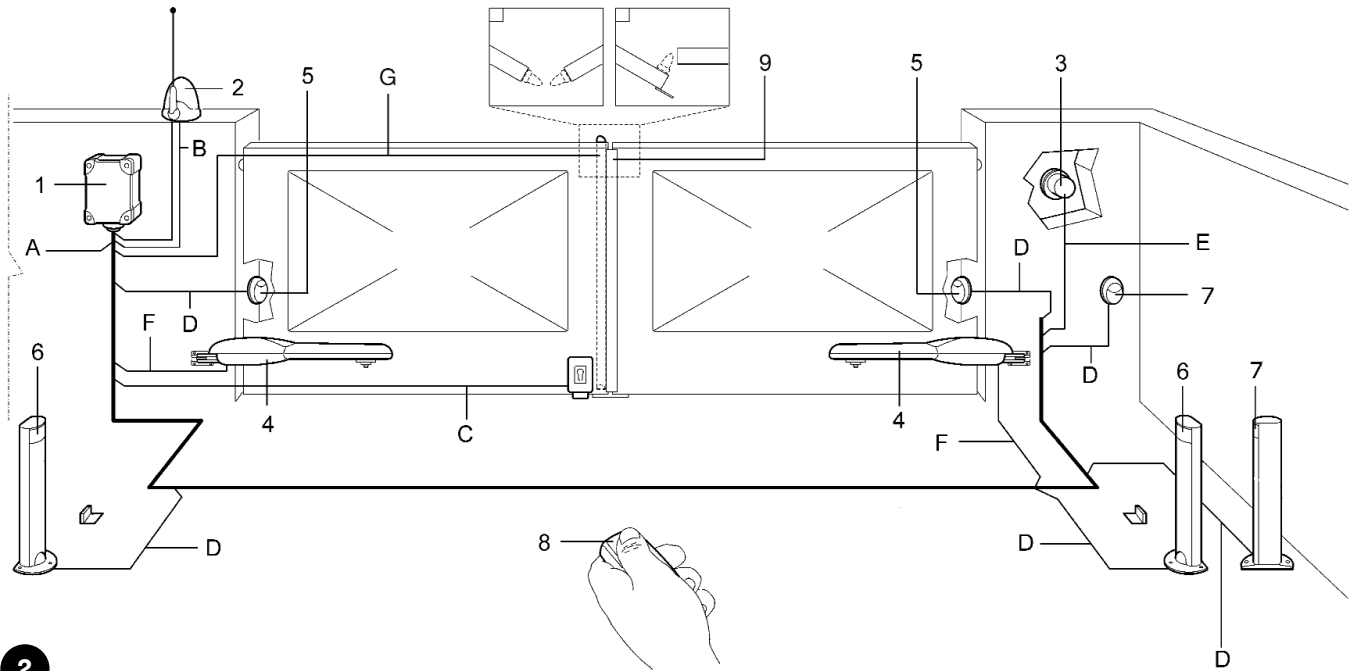
El led OK (**16**), que tiene la función de indicar el funcionamiento correcto de la lógica interior, tiene que centellear cada 1 segundo y señala que el microprocesador interior está habilitado y espera el mando. Cuando se produce una variación en el estado de las entradas (**10 - 11**), o de los dip-switch de las funciones (**7**) se produce un centelleo doble rápido, incluso si la variación no provoca efectos inmediatos.

Cuando la central está bajo tensión, los indicadores luminosos (**9**), que están situados en las entradas se encienden si esa entrada está accionada y, por consiguiente, hay corriente de mando a 24 Vca. Normalmente, los leds situados en las entradas de los dispositivos de seguridad STOP FOTOCÉLULA y FOTOCÉLULA1 y en los microinterruptores siempre están encendidos, mientras que aquéllos situados en las entradas de mando PASO A PASO, ABRE y CIERRA generalmente están apagados.

2.1) Límites de utilización

Los datos referidos a las prestaciones de los productos están indicados en el capítulo "9 Características técnicas" y son los únicos valores que permiten la evaluación correcta de la idoneidad para su uso.

2.2) Instalación típica



2

- | | | | |
|----|---|----|----------------------------------|
| 1: | Central A6, A6F o A700F | 6: | Par de fotocélulas (FOTOCÉLULA1) |
| 2: | Luz intermitente con antena incorporada | 7: | Par de fotocélulas (FOTOCÉLULA2) |
| 3: | Selector de llave | 8: | Transmisor |
| 4: | Accionadores electromecánicos | 9: | Banda sensible |
| 5: | Par de fotocélulas (FOTOCÉLULA) | | |

NOTA: Este esquema representa sólo una posible instalación de la central y tiene que ser considerado sólo como un ejemplo. Únicamente un profundo análisis de los riesgos de la "Máquina" verja y una evaluación apropiada de las necesidades del usuario final pueden establecer cuántos y cuáles elementos instalar.

2.3) Lista de cables

En la instalación típica de la figura 2 se indican también los cables necesarios para las conexiones de los diversos dispositivos; en la tabla 1 se indican las características de los cables.

⚠ Los cables utilizados deben ser adecuados para el tipo de instalación; por ejemplo, se aconseja un cable tipo H03VV-F para instalación en ambientes internos o H07RN-F para instalaciones exteriores.

Tabla 1: lista de cables

Conexión	Tipo de cable	Longitud máxima admitida
A: Línea eléctrica de alimentación	Nº1 cable 3x1,5mm ²	30m (nota 1)
B: Luz intermitente con antena	Nº1 cable 2x0,5mm ²	20m
	Nº1 cable blindado tipo RG58	20m (aconsejado menos de 5m)
C: Selector de llave	Nº1 cable 2x1mm ²	20m
D: Fotocélulas	Nº1 cable 2x0,25mm ² (Tx)	30m
	Nº1 cable 4x0,25mm ² (Rx)	30m
E: Key-operated selector switch	Nº1 cable 4x0,25mm ²	30m
F: Accionadores electromecánicos	Nº1 cable 4x1,5mm ²	10m
G: Banda sensible	Nº1 cable 2x0,25mm ²	30m

Nota 1: si el cable de alimentación es más largo de 30 m debe tener una sección más grande, por ejemplo 3x2,5mm² y es necesario procurar una puesta a tierra de seguridad cerca del automatismo.

3) Instalación

⚠ Debe ser instalado por personal cualificado, respetando las leyes, normas y reglamentos y las indicaciones de las presentes instrucciones.

3.1) Controles preliminares

Antes de comenzar con la instalación es necesario efectuar los siguientes controles:

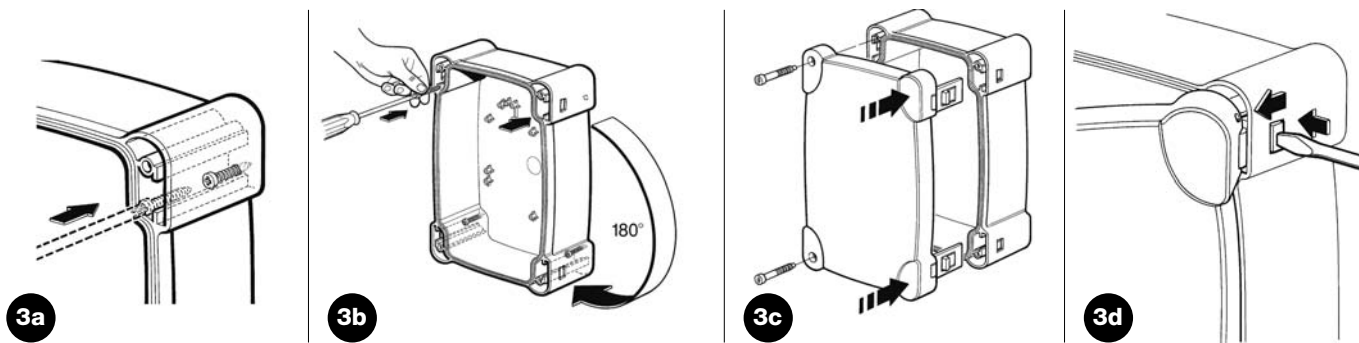
- Controle que todo el material a utilizar esté en perfectas condiciones, sea adecuado para su uso y que respete las normas.
 - Controle que la estructura de la puerta sea adecuada para su automatización.
 - Controle que los puntos de fijación de los distintos dispositivos se encuentren en zonas protegidas de choques y que las superficies sean suficientemente firmes.
 - Introduzca los aisladores pasapanel o los pasadores de tubos sólo en la parte inferior de la central; no perforo por ningún motivo las paredes laterales y la superior. Los cables tienen que entrar a la central sólo por la parte inferior.
 - Los componentes del automatismo no deben quedar sumergidos en agua ni en otras substancias líquidas.
 - No coloque el A6 – A6F – A700F cerca de llamas o fuentes de calor; en atmósferas con riesgo de explosión, muy ácidas o salinas;
- porque podría tener problemas de funcionamiento o generar situaciones peligrosas.
- Si hubiera un portillón de paso en la misma hoja o una puerta en la zona de movimiento de la hoja, asegúrese de que no obstaculice la carrera normal e incorpore un sistema de interbloqueo oportuno en su caso.
 - Conecte la central a una línea de alimentación eléctrica dotada de puesta a tierra de seguridad.
 - La línea de alimentación eléctrica debe estar protegida por un dispositivo magnetotérmico y diferencial adecuado.
 - En la línea de alimentación de la red eléctrica hay que montar un dispositivo de desconexión de la alimentación (con categoría de sobretensión III, es decir distancia entre los contactos de 3,5 mm como mínimo) u otro sistema equivalente, por ejemplo una toma y una clavija. Si el dispositivo de desconexión de la alimentación no está cerca del automatismo, coloque un sistema de bloqueo a fin de evitar la conexión accidental o no autorizada.

3.2) Fijación

Introduzca los dos tornillos en los respectivos agujeros superiores haciéndolos deslizar sobre la guía como muestra la Fig. 3A, atornillando parcialmente, gire 180° la central y repita la misma operación con los otros dos tornillos. Fije la central a la pared.

Introduzca la tapa en la parte deseada (con apertura a derecha o izquierda), apriete con fuerza en correspondencia de las flechas.

Para quitar la tapa apriete con un destornillador en el punto de encastre y contemporáneamente empuje hacia arriba.



3.3) Esquema de las conexiones:

Una vez instalada la central, los accionadores, elementos de mando (selector de llave o botonera) y de seguridad (parada de emergencia, fotocélulas, bordes sensibles y luz intermitente), efectúe las conexiones eléctricas siguiendo las instrucciones indicadas a continuación.

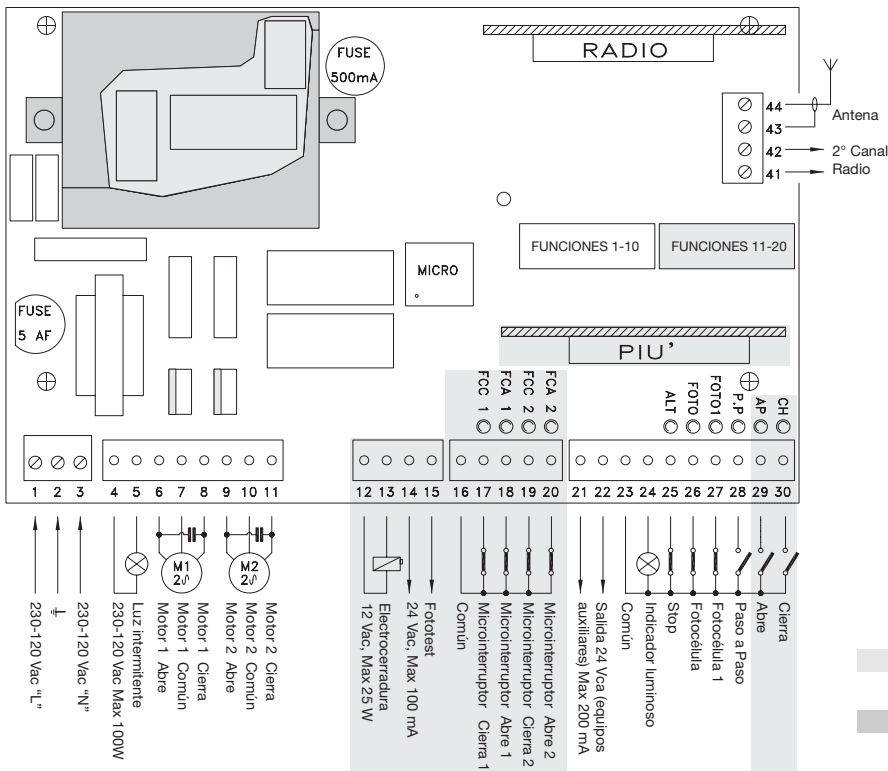
⚠ Para garantizar la incolumidad del operador y para prevenir daños a los componentes, mientras se efectúan las conexiones, tanto aquellas de baja tensión (230 -120 V) como las de bajísima tensión (24V), o se conectan las diferentes tarjetas:

Nunca alimente eléctricamente la central.

Además, recordamos que las entradas de los contactos de tipo NC (Normalmente Cerrado) que no se utilicen tienen que conectarse por medio de un puente, si son más de una se colocan en SERIE entre sí; si las entradas de los contactos de tipo NA (Normalmente Abierto) no se utilizan, tiene que dejarse libres, si son más de una se colocan en PARALELO entre sí. Por lo que concierne a los contactos, los mismos tienen que ser exclusivamente mecánicos y sin ningún potencial; no se admiten conexiones de configuración como aquellas definidas "PNP", "NPN", "Open Collector", etc.

Efectúe las conexiones necesarias siguiendo el esquema de la Fig. 4 y la sucesiva descripción de las conexiones.

⚠ Recuerde que existen normativas precisas que tienen que ser absolutamente respetadas, tanto por lo que concierne a la seguridad de las instalaciones eléctricas, como a las verjas automáticas.



La parte evidenciada se encuentra sólo en la versión **A700F**
 La pieza evidenciada se encuentra sólo en las versiones **A6F** y **A700F**

4

3.4) Descripción de las conexiones:

A continuación, describimos brevemente las posibles conexiones de la central hacia el exterior:

- 1...3** : 230 - 120 Vac
- 4-5** : Luz intermitente = Salida para la conexión a la luz intermitente 230 -120 Vca, potencia máxima de la lámpara 100 W
- 6...8** : Motor 1 = Salida para la conexión del 1º motor 230 -120 Vca
- 9...11** : Motor 2 = Salida para la conexión del 2º motor 230 -120 Vca

Nota: Los motores 1 y 2 se diferencian sólo por el retardo en el arranque, el 1º motor está vinculado al tiempo de retardo de apertura "TRA", mientras que el 2º motor está vinculado al tiempo de retardo de cierre "TRC". Si los retardos no son necesarios, no existe ninguna diferencia entre los dos motores.

Los siguientes bornes se encuentran sólo en las versiones **A6F** y **A700F**

- 12-13** : Electrocerradura = Salida 12 Vca para la activación de la electrocerradura, potencia máxima 25 W

La siguiente serie de bornes se encuentra sólo en la versión **A700F**

- 14-15** : Fototest = Salida 24 Vca para la alimentación de los transmisores de las fotocélulas, máximo
- 16** : Común = Común para las entradas de los microinterruptores (igual al otro borne común 23)
- 17** : Microinterruptor C1 = Entrada microinterruptor cierra del motor 1
- 18** : Microinterruptor A1 = Entrada microinterruptor abre del motor 1
- 19** : Microinterruptor C2 = Entrada microinterruptor cierra del motor 2
- 20** : Microinterruptor A2 = Entrada microinterruptor abre del motor 2
- 21-22** : 24 Vca = Salida 24 Vca para la alimentación de los equipos auxiliares (Fotocélula, Radio, etc.) máximo 200 mA
- 23** : Común = Común para todas las entradas (el borne 22 también puede utilizarse como Común)
- 24** : Indicador luminoso = Salida para el indicador luminoso Verja Abierta 24 Vca, potencia máxima del indicador luminoso 2 W Verja Abierta
- 25** : Stop = Entrada con función de STOP (Emergencia, bloqueo, o seguridad extrema)
- 26** : Fotocélula = Entrada para los dispositivos de seguridad (Fotocélulas, bordes neumáticos)
- 27** : Fotocélula 1 = Entrada para otros dispositivos de seguridad (Fotocélulas, bordes neumáticos)
- 28** : Paso a Paso = Entrada para el funcionamiento cíclico (ABRE STOP CIERRA STOP)

La siguiente serie de bornes se encuentra sólo en la versión **A700F**

- 29** : Abre = Entrada para la apertura (posiblemente accionada por un reloj)
- 30** : Cierra = Entrada para el cierre
- 41-42** : 2º Canal Radio = Salida del posible segundo canal del radioreceptor
- 43-44** : Antena = Entrada para la antena del radioreceptor

En la tarjeta de la central hay otras dos conexiones que se utilizan para las siguientes tarjetas opcionales:

- RADIO** = Conexión para los radiorreceptores fabricados por **Nice**
- PIU** = Conexión para la tarjeta de expansión **PIU'** (sólo en la versión **A700F**)

Para conectar las posibles tarjetas opcionales RADIO, o PIU', se aconseja haber terminado la instalación y haber controlado que la instalación funcione perfectamente. Las tarjetas opcionales no son necesarias para el funcionamiento y, si están conectadas, es más difícil localizar las posibles averías.

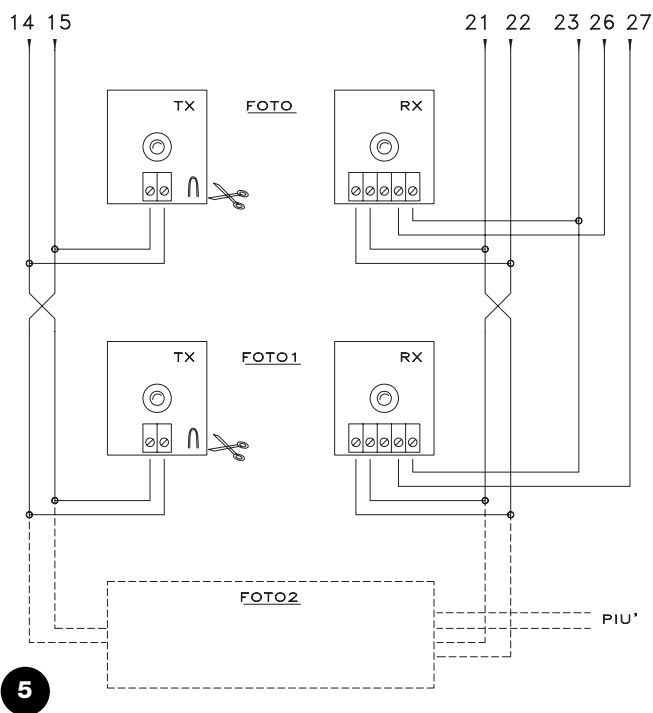
3.5) Notas sobre las conexiones

La mayoría de las conexiones es sumamente sencilla; una gran parte son conexiones directas de un sólo usuario o contacto, en cambio otras son conexiones un poco más complejas: Todos los motores de tipo asincrónico monofásico requieren un condensador para que funcionen correctamente; algunos motorreductores, ya tienen este condensador conectado en su interior, en cambio otros necesitan la conexión del condensador en la parte exterior. En este caso el condensador se conecta entre las fases ABRE y CIERRA del motor. Para una mayor practicidad es oportuno introducir el condensador directamente adentro de la central en los alojamientos respectivos.

La siguiente parte se refiere sólo a la versión A700F

La salida "FOTOTEST" merece una descripción particular. Esta es la máxima solución posible en términos de fiabilidad para los dispositivos de seguridad. Cada vez que se acciona una maniobra, son controlados todos los dispositivos de seguridad implicados y la maniobra comienza sólo si todo está en perfectas condiciones.

Si en cambio la prueba no da resultado positivo (fotocélula encandilada por el sol, cables en cortocircuito, etc.) se localiza la avería y la maniobra no se realiza. Todo esto es posible sólo empleando una configuración determinada en las conexiones de los dispositivos de seguridad (Fig. 5). Como se puede observar en el esquema eléctrico, mientras los receptores de las fotocélulas FOTOCÉLULA, FOTOCÉLULA1 y posible FOTOCÉLULA2 (en la tarjeta PIU') están alimentados normalmente por los 24 Vca de los equipos auxiliares, los transmisores toman la alimentación de la salida fototest. Cuando se acciona un movimiento, antes que nada se controla que todos los receptores implicados en el movimiento den el ascenso; luego, se apaga la salida fototest y se controla que todos los receptores señalen el hecho cortando el ascenso; por último, se reactiva la salida fototest y se controla nuevamente el ascenso por parte de todos los receptores. Como se puede notar, en los dos transmisores se ha activado la sincronización cortando los conectores puentes respectivos; este es el único método para garantizar que los dos pares de fotocélulas no interfieran entre sí. Controle en el manual de instrucciones de las fotocélulas las instrucciones para el funcionamiento sincronizado.



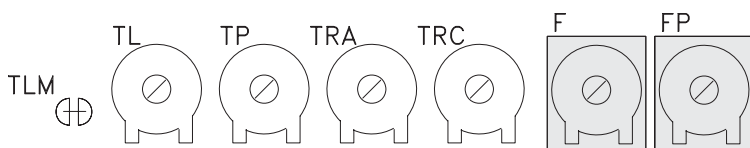
5

En el caso de que no se use una entrada "FOTOCÉLULA", hay que conectar por medio de un puente el borne correspondiente a través de un relé 24 V ca conectado a la salida FOTOTEST.

- Generalmente en las verjas de 2 hojas se emplean motorreductores que no requieren el empleo de microinterruptores, se instalan topes mecánicos que detienen el movimiento en el punto deseado. Luego en la central se encuentra el trimmer "Tiempo Funcionamiento" que normalmente se regula por un tiempo apenas mayor que el tiempo necesario para la maniobra completa. Cuando la hoja llega al tope mecánico, el motor se bloquea y permanece bajo esfuerzo por el tiempo restante; los motores siempre están proyectados para resistir sin ningún problema este tipo de esfuerzo, especialmente si la fuerza se fija en valores inferiores al 100 %.
- En algunas instalaciones, por ejemplo en el caso de dos hojas corredizas, o en el caso de que se desee aprovechar la función de colocación, podría ser necesario utilizar microinterruptores. En la mayoría de los casos, si se usan los microinterruptores, estos son de tipo normalmente cerrado "NC", de manera que cuando una avería provoque la parada del motor la hoja no se atasque. En otros casos, por ejemplo cuando se usan contactos de tipo magnético, puede suceder que sea necesario usar microinterruptores de tipo normalmente abierto "NA". Para habilitar la central para usar los microinterruptores NA hay que cortar el conector puente FC que se encuentra en la tarjeta (Fig 2). Este conector puente puede cortarse también en el caso de que los microinterruptores no se utilicen para evitar de esta manera efectuar los respectivos conectores puentes.
- De acuerdo con el tipo de motorreductor y con la función que se desea obtener, los microinterruptores pueden utilizarse como indicador del punto del final del movimiento (función microinterruptor), o como señal del punto de inicio de la función colocación. Si se usan como colocación, generalmente los microinterruptores se colocan a un ángulo de 10-20° del punto de parada e indican el punto en el cual se le aplican a los motores una fuerza aún más baja y regulable con el trimmer FUERZA COLOCACIÓN, de manera de lograr el paro mecánico de la manera menos violenta posible.

4) Regulaciones

- TLM** = Tiempo Funcionamiento Aumentado
- TL** = Tiempo Funcionamiento
- TP** = Tiempo Pausa
- TRA** = Tiempo Retardo Apertura
- TRC** = Tiempo Retardo Cierre
- F** = Fuerza
- FP** = Fuerza Colocación



Si la verja está compuesta de 2 hojas que se pueden atascar si comienzan a abrirse contemporáneamente, o si al cerrarse una se superpone a la otra, entonces hay que regular los trimmers Tiempo Retardo Apertura "TRA" o Tiempo Retardo Cierre "TRC". Dichos trimmers pueden ser regulados a placer, aunque si habitualmente TRA se regula el mínimo indispensable para que la hoja movida por el 2° motor ya esté fuera del espacio ocupado cuando se pone en marcha el 1° motor.

El trimmer TRC debe ser regulado de manera que durante el cierre la hoja del 2º motor siempre llegue cuando el 1º motor ha terminado la maniobra de cierre. El Tiempo Retardo Cierre puede emplearse para obtener el límite de seguridad durante el cierre de 50 cm.

A este punto, seleccione la modalidad de funcionamiento "Semiautomático" desplazando hacia On el dip-switch N°1, entonces regule el trimmer Tiempo Funcionamiento a la mitad de la carrera aproximadamente. Con estas regulaciones pruebe todo un ciclo de apertura y luego uno de cierre, si es necesario, modifique la regulación del trimmer Tiempo Funcionamiento de manera que sea suficiente para desarrollar toda la maniobra y quede un margen de tiempo de 2 ó 3 segundos. Si poniendo el trimmer al máximo no se obtiene un tiempo suficiente, puede cortar el conector puente TLM, que se halla en el circuito impreso cercano al trimmer, y así obtener un tiempo de funcionamiento aumentado. En algunos tipos de accionadores, por ejemplo los de tipo hidráulico, la regulación de la fuerza está prevista directamente sobre el grupo accionador, consúltese el respectivo manual de instrucciones para aclaraciones sobre la regulación; entonces, deje la regulación de la fuerza que está en la central fijada al máximo. Para todos los tipos de accionadores que no contienen un dispositivo de regulación de la fuerza, es posible aprovechar el sistema de regulación de fuerza que está dentro de la central: según la versión de la central empleada siga las instrucciones respectivas.

La siguiente parte se refiere sólo a la versión A6

En la central hay un trimmer FUERZA que generalmente está fijado para la fuerza máxima, con un destornillador gire el trimmer hacia la izquierda hasta reducir la fuerza del motor al valor previsto por las normativas.

La siguiente parte se refiere sólo a las versiones A6F y A700F

En la central hay un transformador automático de potencia adecuada, con tomas en el devanado primario seleccionables mediante el conmutador FUERZA. Coloque el conmutador en la posición más adecuada para reducir la fuerza del motor al valor previsto por las normativas.

Cualesquiera que sea el sistema de regulación de la fuerza, para la etapa inicial del movimiento y por una duración de 1,5 Seg se da la fuerza máxima, sólo después de este tiempo definido "Punto de arranque" se conecta la fuerza prevista.

Si se selecciona la modalidad de funcionamiento automático (dip-switch N° 2 On) al final de la maniobra de apertura se efectúa una "pausa" después de la cual arranca automáticamente una maniobra de cierre. Este tiempo en el cual la verja queda abierta, puede regularse desde el respectivo trimmer TIEMPO PAUSA que puede fijarse por el tiempo preferido sin ninguna clase e limitación.

Un cierre automático y la respectiva pausa se acciona también en el movimiento semiautomático, cuando, durante el cierre, la conexión de un dispositivo de seguridad provoca una inversión del movimiento durante la apertura.

Sólo entonces, al finalizar todas las regulaciones, aconsejamos conectar el radioreceptor recordando que los mandos que provienen del mismo se envían a la entrada PASO A PASO.

4.1) Modalidades de funcionamiento:

Nota: algunas de las piezas descritas a continuación se refieren sólo a la versión **A700F**

En el funcionamiento en modalidad manual, la entrada ABRE permite el movimiento de apertura, la entrada CIERRA permite el movimiento de cierre. El PASO a PASO permite el movimiento alternativamente de apertura y cierre; apenas cesa el mando de entrada el movimiento se detiene. Durante la apertura el movimiento se para cuando se accionan los microinterruptores de tope, o bien si falta el permiso de la FOTOCÉLULA 2 (en la tarjeta PIU'); en cambio, durante el cierre, el movimiento se para si falta el asenso de FOTOCÉLULA y FOTOCÉLULA 1. El accionamiento de STOP, provoca una parada inmediata del movimiento con breve inversión tanto durante la apertura como durante el cierre. Una vez que el movimiento se ha detenido, deje de accionar el mando en entrada antes de poder iniciar con un nuevo movimiento. Durante el funcionamiento en una de las dos modalidades automáticas (semiautomático, automático o cierra siempre) un impulso de accionamiento en la entrada ABRE provoca el movimiento de apertura, si el mando prosigue una vez que se produce la apertura el movimiento queda "congelado" en una pausa infinita; sólo cuando cesa el mando, la verja podrá cerrarse nuevamente.

Un impulso en PASO a PASO provoca alternativamente la apertura, o el cierre. Un segundo impulso sobre PASO a PASO, o en la misma entrada que ha comenzado el movimiento, provoca un Stop con breve inversión. El accionamiento de STOP provoca una parada inmediata del movimiento, tanto durante la apertura como durante el cierre.

Si en una entrada de mando en vez de un impulso se mantiene una señal continua, se provoca un estado de "preponderancia" en el cual las demás entradas quedan deshabilitadas (útil para conectar un reloj o un selector Noche-Día). En el caso de que se seleccione la modalidad de funcionamiento automática, tras una maniobra de apertura, se efectúa una pausa y luego el cierre. Si durante la pausa se acciona FOTOCÉLULA o FOTOCÉLULA1, el temporizador se restablecerá con un nuevo tiempo de pausa; si en cambio durante la pausa se acciona STOP, la función de cierre se pone en cero y se pasa a un estado de STOP. Durante la apertura, el accionamiento de la FOTOCÉLULA o FOTOCÉLULA1 no tienen ningún efecto, mientras que la FOTOCÉLULA2 (en la tarjeta PIU') provoca la inversión del movimiento; durante el cierre, el accionamiento de la FOTOCÉLULA o FOTOCÉLULA1 provoca una inversión del movimiento, luego una nueva pausa y finalmente un nuevo cierre.

5) Programación

La central dispone de una serie de microinterruptores que permiten accionar varias funciones para que la instalación sea más adecuada a las exigencias del usuario y más segura bajo las diversas condiciones de empleo. Todas las funciones se accionan poniendo el respectivo dip-switch en la posición "On", mientras que con el dip-switch correspondiente en "Off" no están introducidas; algunas funciones no tienen un efecto inmediato y tienen sentido sólo bajo determinadas condiciones, por ejemplo la función N° 12 "Intermitente también en pausa" se acciona sólo con cierre automático y si la maniobra no es interrumpida por un mando de STOP.

⚠ ATENCIÓN algunas de las funciones programables están vinculadas con aspectos de la seguridad, evalúe con mucha atención los efectos de una función y verifique cuál es la función que da la mayor seguridad posible.

En el mantenimiento de una instalación, antes de modificar una función programable, evalúe el motivo por el cual durante la instalación se habían tomado ciertas decisiones, y controle si la seguridad se verá perjudicada por la nueva programación.

5.1) Funciones programables

El dip-switch FUNCIONES permite seleccionar las diversas modalidades de funcionamiento e introducir las funciones deseadas según la tabla siguiente:

Switch 1-2:	Off Off	= Movimiento "Manual", es decir Pulsador de interrupción automática
	On Off	= Movimiento "Semiautomático"
	Off On	= Movimiento "Automático", es decir Cierre Automático
	On On	= Movimiento "Automático + Cierra siempre"
Switch 3	On	= Funcionamiento en común <No disponible en modalidad Manual>
Switch 4	On	= Centelleo previo
Switch 5	On	= Cierra inmediatamente después de Fotocélula <sólo en modalidad Automática>
Switch 6	On	= Fotocélula1 también durante apertura
Switch 7	On	= Puesta en marcha gradual
Switch 8	On	= Parada gradual
Switch 9	On	= Golpe de ariete
Switch 10	On	= Luz de cortesía en intermitente

En la versión A700F hay un segundo grupo de dip-switches con otras funciones:

Switch 11	On	= Función colocación < sólo con empleo de los microinterruptores >
Switch 12	On	= Luz intermitente también en Pausa <sólo en modalidad Automática>
Switch 13	On	= Mantenimiento presión
Switch 14	On	= Indicador luminoso verja abierta con luz intermitente proporcional
Switch 15	On	= Activación Fototest
Switch 16	On	= Fotocélula y Fotocélula1 también en apertura
Switch 17	On	= Fotocélula y Fotocélula1 al inicio de la maniobra de apertura
Switch 18	On	= Salta STOP durante apertura
Switch 19	On	= Salta STOP durante cierre
Switch 20	On	= CIERRA se convierte en ABRE PEATONAL

Recordamos que las funciones que pueden ejecutarse sólo en ciertos casos están evidenciadas con las notas entre caracteres "<>" después de la descripción de la función.

Obviamente, cada dip-switch que está en "Off" no activa la función descrita.

5.2) Descripción de las funciones

A continuación mencionamos brevemente las funciones que se pueden introducir colocando en "On" el respectivo dip-switch.

Switch 1-2: Off Off = "Movimiento "Manual", (Pulsador de interrupción automática)
On Off = Movimiento "Semiautomático"
Off On = Movimiento "Automático" (Cierre Automático)
On On = Movimiento "Automático + Cierra siempre"

Durante el funcionamiento "Manual", el movimiento se efectúa sólo hasta que se acciona el mando (botón apretado). En modalidad "Semiautomática", es suficiente dar un impulso de mando para que se cumpla todo el movimiento, hasta alcanzar el tope mecánico o hasta que interviene el microinterruptor de tope. En la modalidad de funcionamiento "Automática", después de la apertura, se efectúa una pausa y luego un cierre. La función "Cierre Siempre" se acciona tras un corte momentáneo de alimentación, si detecta que la verja está abierta, se pone en marcha automáticamente una maniobra de cierre, antecedida por 5 segundos de centelleo previo.

Switch 3: On = Funcionamiento en común (no disponible en modalidad Manual)

Durante el funcionamiento en común, una vez que se puso en marcha un movimiento de apertura, éste no puede ser interrumpido por otros impulsos de mando en PASO A PASO O ABRE, hasta que no finalice el movimiento de apertura. Durante el movimiento de cierre, al efectuar un nuevo accionamiento, se produce la parada y la inversión automática del movimiento y se abre nuevamente.

Switch 4: On = Centelleo previo

Al recibir el impulso de mando, se activa la luz intermitente, luego de 5 segundos (2 seg. si está en modalidad manual) inicia el movimiento.

Switch 5: On = Cierra inmediatamente después de Fotocélula (sólo si está en modalidad automática)

Esta función permite mantener la verja abierta sólo por el tiempo necesario para el tránsito; en efecto, el cierre automático se producirá tras 5 segundos de la activación de la Fotocélula o Fotocélula1, independientemente del Tiempo Pausa programado.

Switch 6: On = Fotocélula1 también durante apertura

Esta función es la única que diferencia el funcionamiento entre las fotocélulas FOTOCÉLULA y FOTOCÉLULA1. Normalmente, los dispositivos de seguridad FOTOCÉLULA y FOTOCÉLULA1 se accionan sólo durante la maniobra de cierre, y no tienen ningún efecto durante la apertura. Si se coloca el dip-switch N° 6 en "On", FOTOCÉLULA sigue accionándose sólo durante la maniobra de cierre, pero FOTOCÉLULA1 se acciona también durante la apertura, interrumpiendo el movimiento. En semiautomático o automático el movimiento recomienza cuando FOTOCÉLULA1 se vuelva a desacoplar. Este tipo de funcionamiento es útil para detener el movimiento de la verja durante la apertura, cuando, por ejemplo, un vehículo se acerca a la verja desde el lado interno, es decir desde la dirección del movimiento, sin por ello detener el movimiento cuando el vehículo se acerca desde el lado externo.

Switch 7: On = Puesta en marcha gradual

El movimiento comienza de manera gradual, enviando una fuerza siempre mayor al motor, formando una rampa que dura 1 seg., lo cual garantiza que se ponga en marcha sin sacudidas. (No aconsejado con los motorreductores METRO).

Switch 8: On = Parada gradual

Cuando el movimiento termina se detiene gradualmente, enviando una fuerza siempre menor al motor, con un decremento que dura 1 Seg. aproximadamente, lo cual garantiza que se pare sin sacudidas.

Por motivos de seguridad evidentes, la parada gradual no se produce, y es sustituida por una parada normal, cuando se accionan STOP, FOTOCÉLULA y FOTOCÉLULA1 o FOTOCÉLULA2 (en la tarjeta PIU') o bien uno de los microinterruptores.

Switch 9: On = Golpe de ariete

Cuando se emplean accionadores reversibles, es decir que la verja no queda cerrada sólo con el empuje de los motores, es indispensable instalar una electrocerradura (véanse las instrucciones de los accionadores para el modo de empleo). En la electrocerradura se podría encontrar aplicado ese empuje natural que tiende a llevar las hojas a una posición ligeramente abierta, y ciertas veces ese empuje es tan elevado que mantiene bloqueado el mecanismo de disparo de la electrocerradura. Con la función de golpe de ariete conectada, antes de comenzar una maniobra de apertura se activa un ciclo de cierre breve, que de todas maneras no provoca ningún efecto de movimiento, visto que las hojas ya están en el tope mecánico de cierre. De tal manera, cuando la electrocerradura se acciona se encontrará descargada de toda fuerza y libre de desengancharse.

Switch 10: On = Luz de cortesía en la luz intermitente

En ciertos casos, puede ser necesaria una iluminación de la zona de movimiento de la verja y, a menudo, se requiere que la iluminación se apague automáticamente poco después de que la verja se ha detenido. Esta función comúnmente se define "Luz de cortesía". Conectando elementos de iluminación adecuados en la misma salida de la luz intermitente (para una potencia total máxima de 100 W) y accionando esta función se obtendrá que durante todo el movimiento y por 60 Seg. más, la salida permanezca activa permitiendo la iluminación de la zona.

Sólo en la versión **A700F** hay un segundo grupo de dip-switches con otras funciones:

Switch 11: On = Función colocación (sólo con empleo de los microinterruptores)

Los microinterruptores en lugar de emplearse como señal de los límites del movimiento, pueden usarse como indicación del punto en el cual se acciona la colocación. Generalmente, cuando se usa la función colocación los microinterruptores se colocan en un ángulo de 10-20° antes del tope mecánico. De esta manera, cuando en el movimiento de la hoja se alcanza el microinterruptor, se enviará al motor una fuerza menor, regulable con el respectivo trimmer "Fuerza Colocación", por un tiempo de otros 3 Seg. De manera que la hoja alcance el tope mecánico con la menor violencia posible.

Switch 12: On = Luz intermitente también en Pausa

Normalmente, la luz intermitente se acciona sólo durante el movimiento de apertura o cierre; esta función prevé que la luz intermitente permanezca accionada incluso durante la Pausa, con el fin de señalar el estado de "cierre próximo".

Switch 13: On = Mantenimiento presión

En los accionadores hidráulicos, el empuje para mantener cerrada la verja se desarrolla en el circuito hidráulico que queda siempre bajo presión. Cuando el tiempo y el desgaste reducen la hermeticidad del circuito hidráulico, puede suceder que tras algunas horas la presión interior baje con el riesgo consiguiente de una apertura ligera de las hojas de la verja. Si se introduce la función Mantenimiento Presión, tras 4 horas, y luego cada 4 horas mientras la verja esté cerrada, se activa una breve maniobra de cierre con la única finalidad de recargar la presión del circuito hidráulico.

NOTA: Las funciones "Golpe de ariete" y "Mantenimiento Presión" tienen sentido y se llevan a cabo sólo si la verja está cerrada.

La lógica interna considera verja cerrada si el respectivo microinterruptor FCC se ha accionado o, en el caso de que no se usen los microinterruptores, del hecho que la maniobra anterior de cierre haya terminado por fin del tiempo de funcionamiento.

Switch 14: On = Indicador luminoso Verja Abierta con luz intermitente proporcional

Normalmente, la Luz Indicadora de Verja Abierta indica el estado de la verja según los siguientes estados:

Apagado: Verja completamente cerrada

Encendido: Verja también abierta sólo parcialmente

Centelleo lento: Verja durante apertura

Centelleo veloz: Verja durante cierre

El centelleo del indicador durante el movimiento puede hacerse proporcional, desde lento progresivamente a rápido y viceversa, para tener una indicación del estado de apertura o cierre.

Switch 15: On = Activación Fototest

Permite efectuar una prueba de las fotocélulas, antes de comenzar cada movimiento, de esta manera, eliminando toda posibilidad de funcionamiento defectuoso, se aumenta la seguridad de la instalación. Para aprovechar la función Fototest, los transmisores de las fotocélulas tienen que estar conectados a la respectiva salida (véanse: Notas de las conexiones).

Switch 16: On = Fotocélula y Fotocélula1 también durante apertura

Normalmente, los dispositivos de seguridad FOTOCÉLULA y FOTOCÉLULA1 se accionan sólo durante la maniobra de cierre, si se activa el dip-switch N° 16 se accionan los dispositivos de seguridad que interrumpen el movimiento también durante la apertura, si está en semiautomático o automático el movimiento de apertura recomienza inmediatamente después del desacoplamiento.

Switch 17: On = Fotocélula y Fotocélula1 al inicio de la maniobra de apertura

Habitualmente, los dispositivos de seguridad FOTOCÉLULA y FOTOCÉLULA1 no están accionados en la maniobra de apertura, sino sólo en la de cierre porque es la más peligrosa. En algunos países hay normativas que imponen el control de los dispositivos de seguridad por lo menos al inicio de la maniobra de apertura. Si es necesario respetar tales normas, o si se desea aumentar el nivel de seguridad, puede accionar la función, entonces, antes de iniciar el movimiento, se verifica el asenso de los dispositivos de seguridad FOTOCÉLULA y FOTOCÉLULA1 y sólo después inicia el movimiento.

Switch 18: On = Salta STOP durante apertura

El ciclo de Paso a Paso es normalmente: ABRE-STOP-CIERRA-STOP, con esta función introducida el ciclo Paso a Paso se transforma en: ABRE-CIERRA-STOP-ABRE, mientras que la entrada Abre pierde la posibilidad de hacer STOP.

Switch 19: On = Salta STOP durante cierre

Es como la función anterior pero se refiere al ciclo de cierre, de consecuencia el ciclo Paso a Paso se transforma en: ABRE-STOP-CIERRA-ABRE, mientras que la entrada Cierra pierde la posibilidad de hacer STOP.

NOTA: Colocando los dip-switches 18 y 19 en On, el ciclo paso a paso se transforma en ABRE-CIERRA-ABRE perdiendo definitivamente la posibilidad de hacer STOP.

Switch 20: On = CIERRA se convierte en ABRE PEATONAL

Puede suceder que no sea necesario abrir completamente la verja, por ejemplo cuando debe pasar un peatón, en dicho caso es útil la función ABRE PEATONAL que permite abrir sólo la hoja conectada al 2° motor dejando la otra cerrada. Este tipo de apertura se activa desde la entrada CIERRA, que pierde su función original para volverse como la entrada Paso a Paso, pero para la apertura de una sola hoja. Hay que precisar que el ciclo de abre peatonal se acciona sólo con la verja cerrada, en cambio si la verja está en movimiento, o abierta, el impulso de entrada no tiene ningún efecto.

Accesorio: Tarjeta de expansiones "PIU"

La central electrónica dispone de todas las funciones principales requeridas por una automatización normal, en la versión A700F existe la posibilidad de agregar la tarjeta opcional PIU', que permite aumentar los servicios de la central. di aggiungere la scheda opzionale PIU' che permette di aumentare le prestazione della centrale.

La siguiente parte se refiere sólo a la versión **A700F**

La tarjeta se enchufa en el respectivo conector en la central, en los bornes de la tarjeta se dispone de:

- Las siguientes entradas: Foto 2 = Dispositivo de seguridad con accionamiento de la maniobra de apertura
Abre Parcial = efectúa una maniobra de apertura con un tiempo reducido
 - Las siguientes salidas: Rojo = Luz roja del semáforo } Alarmas
Verde = Luz verde del semáforo }
Electrocerradura = Accionamiento de la electrocerradura (dado que la central ya dispone de esta salida la función ha sido modificada en "Ventosa" para conectar los dispositivos de retención magnética que se usan como alternativa a la electrocerradura)
Luz de Cortesía = Accionamiento de una lámpara con función de luz de cortesía
- Nota: Las salidas pueden accionar sólo cargas de potencia pequeña (luces indicadoras, relés, etc.)
- y las siguientes regulaciones: Tiempo Parcial = Tiempo para la apertura parcial
Tiempo Cortesía = Tiempo para la luz de cortesía

Las características completas y el modo de empleo de la tarjeta se encuentran en el respectivo manual de instrucciones.

6) Ensayo

Una vez que haya finalizado las conexiones de los motores y de los diferentes accesorios, es posible controlar todas las conexiones y efectuar el ensayo de la instalación.

⚠ Esta es la etapa más importante de la realización del automatismo a fin de garantizar su máxima seguridad. El ensayo también puede utilizarse como control periódico de los dispositivos que componen el automatismo.

El ensayo de toda la instalación debe ser efectuado por personal cualificado y experto que deberá establecer los ensayos previstos de acuerdo con los riesgos presentes y controlar que se respeten las leyes, normativas y reglamentos, especialmente todos los requisitos de la norma EN 12445 que establece los métodos de ensayo de los automatismos para puertas. Se aconseja trabajar en modalidad manual con todas las funciones deshabilitadas (dip-switchs en Off). En caso de problemas en modalidad manual, suelte el botón de mando para que el motor se pare inmediatamente. También controle que todos los trimmers de regulación estén al mínimo (girados hacia la izquierda), sólo el trimmer FUERZA (en **A6**), o el conmutador FUERZA (en **A6F** y **A700F**) pueden estar colocados al máximo; el trimmer Fuerza Colocación (en **A700F**) se coloca a la mitad de la carrera. Cada componente del automatismo, por ejemplo bandas neumáticas, fotocélulas, parada de emergencia, etc., exige un fase de ensayo específica; por dicha razón se deberán seguir los diferentes procedimientos indicados en los manuales de instrucciones respectivos.

Controle que hayan sido respetadas estrictamente las indicaciones dadas en este manual y especialmente aquellas del capítulo "1 Advertencias";

- A)** Desbloquee la verja y coloque las hojas a la mitad de la carrera, luego bloquee de manera que la verja pueda abrirse o cerrarse libremente.
- B)** Alimente la central, controle que entre los bornes 1-2 y 1-3 haya 230 - 120 Vca y que en los bornes 21-22 haya 24 Vca.

La siguiente parte se refiere sólo a la versión **A700F**

- C)** Controle que en los bornes 14-15 haya una tensión de 24 Vca para la alimentación de los transmisores de las fotocélulas.

Ni bien la central está alimentada, los indicadores luminosos (LED) que se encuentran en las entradas habilitadas tienen que encenderse, además el led "OK" tiene que comenzar a centellear regularmente. Si esto no fuera así, corte inmediatamente la alimentación y controle más atentamente las conexiones.

- Ni bien la central está alimentada, los indicadores luminosos (LED) que se encuentran en las entradas habilitadas tienen que encenderse, además el led "OK" tiene que comenzar a centellear regularmente. Si esto no fuera así, corte inmediatamente la alimentación y controle más atentamente las conexiones. El led "OK", que está colocado en el centro de la tarjeta, tiene la función de indicar el estado de la lógica interior: centellea regularmente cada 1 segundo y señala que el microprocesador interior está habilitado y espera el mando. Cuando el mismo microprocesador reconoce una variación en el estado de una entrada (tanto entrada de mando como dip-switch de las funciones) se produce un centelleo doble rápido, incluso si la variación no provoca efectos inmediatos. Un centelleo rápido 3 veces por segundo indica que la central ha sido apenas conectada y está efectuando la prueba de las piezas interiores, por último, un centelleo irregular e inconstante indica que la prueba ha dado resultados negativos y, por consiguiente, hay una avería.
- D)** Entonces, controle que los leds que corresponden a las entradas con contactos tipo NC estén encendidos (todos los dispositivos de seguridad accionados) y que los leds que corresponden a las entradas con contactos tipo NA estén apagados (ningún accionamiento habilitado); si esto no se produce, controle las conexiones y que todos los dispositivos funcionen correctamente.
- E)** Controle que todos los dispositivos de seguridad presentes en la instalación funcionen correctamente (parada de emergencia, fotocélulas, bordes neumáticos, etc.); cada vez que se activan, tienen que apagarse los respectivos leds STOP, FOTOCÉLULA, o FOTOCÉLULA2.
- Este es uno de los controles más importantes que tiene que efectuar, del funcionamiento correcto de los dispositivos de seguridad depende toda la seguridad de la máquina verja. Si la luz intermitente es un instrumento ideal para señalar el estado de peligro y los limitadores de par son un válido auxilio para limitar los daños, sólo una instalación correcta de los dispositivos de seguridad permite bloquear el automatismo antes que pueda provocar daños.

La siguiente parte se refiere sólo a la versión **A700F**

- F)** Si se utilizan las entradas microinterruptor, es necesario controlar que las conexiones sean exactas. Mueva las hojas una por vez y controle que al alcanzar el punto deseado se accione el microinterruptor correspondiente, apagando el respectivo led en la central (o encendiéndolo si están instalados los microinterruptores NA).

- Entonces, controle si el movimiento se efectúa en la dirección correcta, es decir, controlar que el movimiento previsto por la central y aquél efectivo de las hojas correspondan. Este control es fundamental; si la dirección es incorrecta, en algunos casos (por ejemplo en modalidad semiautomática) la verja aparentemente podría funcionar regularmente; en efecto, el ciclo ABRE es parecido al ciclo CIERRA con una diferencia fundamental: que los dispositivos de seguridad son ignorados en la maniobra de cierre, la cual es generalmente más peligrosa, y se accionarán durante la apertura provocando un cierre sobre el obstáculo con resultados desastrosos!

- G)** Para controlar si el sentido de rotación es correcto, es suficiente dar un impulso en la entrada Paso a Paso; la primera maniobra que la central efectúa tras haber sido accionada siempre es ABRE, es decir que es suficiente controlar si la verja se abre; por último, si el movimiento se ha efectuado en el sentido incorrecto es necesario:
- 1 - Apagar la alimentación
 - 2 - Cambiar las conexiones "ABRE" y "CIERRA" del motor o de los motores que giraban en el sentido contrario.

Una vez efectuado cuanto indicado, pruebe nuevamente si el sentido de rotación es correcto, repitiendo la operación del punto "G".

- H)** Controle todas las conexiones y una vez controlado el sentido de rotación de los motores, pruebe un movimiento completo de los accionadores; se aconseja trabajar siempre en modalidad manual

con todas las funciones desactivadas. Si usa como mando la entrada Paso a Paso, el primer movimiento (tras el encendido) tendrá que ser en apertura. Actuando sobre las entradas de mando, mueva la verja hasta el punto de apertura; si todo se funciona regularmente, cierre la verja y muévala hasta el punto de parada correspondiente.

Conviene efectuar diferentes maniobras abre-cierra para evaluar posibles defectos en la estructura mecánica de la automatización y detectar la presencia de puntos de fricción particulares.

- I)** Pruebe ahora el accionamiento de los dispositivos de seguridad: la FOTOCÉLULA y la FOTOCÉLULA1 durante la apertura no tienen ningún efecto, durante el cierre detiene el movimiento. Si se encuentra la tarjeta PIU', pruebe también el funcionamiento de la entrada FOTOCÉLULA2, que durante el cierre no tiene ningún efecto, y durante la apertura detiene el movimiento. Los dispositivos conectados a la entrada STOP trabajan tanto durante la apertura como durante el cierre, deteniendo siempre el movimiento.
- L)** Las situaciones peligrosas causadas por el movimiento de la puerta se han prevenido limitando la fuerza de impacto, hay que medir la fuerza de acuerdo con la disposición de la norma EN 12445. Si el control del "Fuerza del motor" se usan como una ayuda del sistema para reducir la fuerza de impacto, pruebe y busque la regulación que dé los mejores resultados.

6.1) Puesta en servicio

La puesta en servicio puede llevarse a cabo sólo después de haber efectuado correctamente todas las etapas de ensayo de la central y de los demás dispositivos montados. Está prohibida la puesta en servicio parcial o en situaciones "precarias".

1. Realice y conserve durante al menos 10 años el expediente técnico de la automatización que deberá incluir como mínimo: el dibujo de conjunto de la automatización, esquema de las conexiones eléctricas, análisis de los riesgos y soluciones adoptadas, declaración de conformidad del fabricante de todos los dispositivos utilizados (para el **A6 – A6F – A700F** utilice la Declaración de conformidad CE adjunta); copia del manual de instrucciones de uso y del plan de mantenimiento del automatismo.

2. Aplique a la puerta una placa con los siguientes datos: tipo de automatización, nombre y dirección del fabricante (responsable de la "puesta en servicio"), número de matrícula, año de fabricación y marcado "CE".

3. Aplique de manera permanente, cerca de la puerta, una etiqueta o una placa que indique las operaciones para el desbloqueo y la maniobra manual.

4. Prepare y entregue al dueño de la automatización la declaración de conformidad correspondiente.

5. Prepare y entregue al dueño el "Manual de instrucciones y advertencias para el uso de la automatización".

6. Prepare y entregue al dueño el plan de mantenimiento de la automatización (que debe incluir todas las prescripciones sobre el mantenimiento de cada dispositivo).

7. Antes de poner en funcionamiento la automatización, informe adecuadamente y por escrito al dueño (por ejemplo en el manual de instrucciones y advertencias para el uso de la automatización) acerca de los peligros y los riesgos presentes.

7) Mantenimiento y desguace

⚠ En este capítulo se mencionan las informaciones para realizar el plan de mantenimiento y el desguace del **A6 – A6F – A700F**.

7.1) Mantenimiento

Para que el nivel de seguridad sea constante y para garantizar la duración máxima de la automatización, es necesario hacer un mantenimiento habitual.

El mantenimiento debe efectuarse respetando las prescripciones en materia de seguridad de este manual y según las leyes y normativas vigentes.

Para los demás dispositivos diferentes del **A6 – A6F – A700F** siga las instrucciones mencionadas en los planes de mantenimiento correspondientes.

1. Es requista que se efectúe un mantenimiento programado antes de transcurridos 6 meses o, como máximo, 10.000 maniobras a partir del mantenimiento anterior.
2. Desconecte cualquier fuente de alimentación eléctrica.

3. Compruebe las condiciones de todos los materiales que componen la automatización, controlando especialmente los fenómenos de corrosión y oxidación de las piezas de la estructura; sustituya las piezas que no sean lo suficientemente seguras.

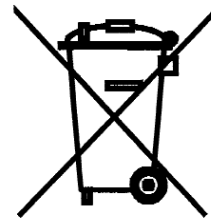
4. Conecte las fuentes de alimentación eléctrica y ejecute todos los ensayos y controles previstos en el párrafo "6 Ensayo".

7.2) Desguace

Al igual que para la instalación, también las operaciones de desguace, al final de la vida útil de este producto, deben ser efectuadas por personal cualificado. Este producto está formado de diversos tipos de materiales, algunos pueden reciclarse y otros deben ser eliminados. Infórmese sobre los sistemas de reciclaje o de eliminación del producto respetando las normas locales vigentes para este tipo de categoría de producto.

⚠ Algunas partes del producto pueden contener sustancias contaminantes o peligrosas; si se abandonarán en el medio ambiente podrían ser perjudiciales para el ambiente y para la salud de las personas.

Como indicado por el símbolo de la figura, está prohibido arrojar este producto en los residuos domésticos. Para la eliminación, realice la recogida diferencial, según los métodos previstos por las reglas locales, o bien entregue el producto al vendedor cuando compre un nuevo producto equivalente.



Las reglas locales pueden prever sanciones importantes en el caso de eliminación abusiva de este producto.

8) Accesorios

Para **A6 – A6F –A700F** hay previstos los siguientes accesorios opcionales:

Tarjeta “PIU”

La central contiene todas las funciones que se utilizan en una instalación normal, pero para satisfacer las demandas de funcionamiento en instalaciones particulares, ha sido preparada una tarjeta opcional, la “Tarjeta PIU”, que permite añadir nuevas funciones como señales de semáforo, luz de cortesía, electroimán, Fococélula2, apertura parcial de las 2 hojas, etc.

Tarjeta “RADIO”

En la central hay un conector para la introducción de una tarjeta radio que permite actuar en la entrada de PASO A PASO y accionar de esta manera la central a distancia mediante un transmisor.

Consulte el catálogo de los productos de Nice S.p.a. para la lista completa y actualizada de los accesorios.

9) Características técnicas

Nice S.p.a., a fin de mejorar sus productos, se reserva el derecho de modificar las características técnicas en cualquier momento y sin previo aviso, garantizando la funcionalidad y el uso previstos.

Todas las características técnicas indicadas se refieren a una temperatura ambiente de 20°C (±5°C).

Modelo tipo:	A6 -A6/V1	A6F -A6F/V1	A700F -A700F/V1
Alimentación A6 – A6F – A700F	230 Vac ± 10%, 50 - 60 Hz		
Alimentación A6/V1 – A6F/V1 - A700F/V1	120 Vac ± 10%, 50 - 60 Hz		
Potencia máxima accionadores 230 Vac	300 W [1,3 A]		
Potencia máxima accionadores / V1 120 Vac	300 W [2,5 A]		
Potencia máxima luz intermitente	100W		
Frecuencia máxima de los ciclos de funcionamiento	Ilimitados		
Tiempo máximo de funcionamiento continuo	Ilimitados		
Corriente Máx equipos auxiliares (24 Vac)	200 mA		
Corriente Máx salida fototest (24Vac)	/	/	100 mA
Potencia máxima indicador luminoso Verja Abierta (24Vac)	2 W		
Potencia máxima electrocerradura (12 Vac)	/	15 VA	15 VA
Tiempo de funcionamiento	de 2,5 a 40 seg. (de 30 a 80 seg. con TLM)		
Tiempo pausa	de 5 a 80 seg.		
Tiempo retardo apertura TRA	0 o bien de 2.5 a 12 seg.		
Tiempo retardo cierre TRC	0 o bien de 2.5 a 12 seg.		
Regulación fuerza	da 0 al 100 %	30%-45%-60%-80%-100%	
Temperatura de servicio	-20 ÷ 50 °C		
Dimensiones	280 x 220 x 110 mm		
Peso	1,7 Kg	2,7 Kg	2,7 Kg
Grado de protección	IP55 (caja íntegra)		

¡Felicitaciones por haber elegido un producto Nice para su automatización! Nice S.p.A. produce componentes para la automatización de cancelas, puertas, cierres enrollables, persianas y toldos: motorreductores, centrales de mando, radiomandos, luces intermitentes, fotocélulas y accesorios. Los productos Nice son fabricados sólo con materiales de calidad y excelentes mecanizados. Nuestra empresa busca constantemente soluciones innovadoras que simplifiquen aún más el uso de nuestros aparatos, cuidados en todos los detalles técnicos, estéticos y ergonómicos: en la vasta gama Nice, su instalador puede escoger el producto que satisfaga de la mejor manera sus exigencias. Nice no es quien escoge los componentes de su automatización, este es un trabajo de análisis, evaluación, elección de los materiales y realización de la instalación efectuado por su instalador de confianza. Cada automatización es única y sólo su instalador posee la experiencia y profesionalidad necesarias a fin de ejecutar una instalación a medida de sus exigencias, segura y fiable en el tiempo y, sobre todo, que respete las normativas vigentes. Una instalación de automatización es una gran comodidad, además de un sistema de seguridad válido y, con un mantenimiento reducido y sencillo, está destinada a durar por mucho tiempo. Aunque bien su automatización satisfaga el nivel de seguridad requerido por las normativas, esto no excluye la existencia de un “riesgo residual”, es decir, la posibilidad de que se puedan crear situaciones de peligro causadas por un uso inconsciente o incorrecto, por dicho motivo, a continuación le damos algunos consejos sobre cómo comportarse para evitar inconvenientes:

- **Antes de usar por primera vez el automatismo**, pida a su instalador que le explique el origen de los riesgos residuales y lea este **manual de instrucciones y advertencias** para el usuario entregado por el instalador. Conserve el manual por cualquier problema que pueda surgir y recuerde entregarlo a un posible nuevo dueño del automatismo.
- **El automatismo es una maquina que ejecuta fielmente los mandos dados:** un uso inconsciente o inadecuado puede ser peligroso. Por consiguiente, no accione el automatismo cuando en su radio de acción haya personas, animales o cosas.
- **Niños:** una instalación de automatización garantiza un elevado grado de seguridad, impidiendo, gracias a sus sistemas de detección, que se mueva ante la presencia de personas o cosas y garantizando una activación previsible y segura. Procure que los niños no jueguen cerca del automatismo y mantenga los controles remotos lejos de su alcance: ¡no son un **juguete!**
- **Las fotocélulas no son un dispositivo de seguridad, sino, solamente, un componente auxiliar de seguridad.** Están fabricadas con tecnología altamente fiable pero pueden, en situaciones extremas, tener problemas de funcionamiento o averiarse y, en algunos casos, el desperfecto podría no resultar inmediatamente evidente.

Por tales motivos, es recomendable:

- transitar solamente si la cancela o el portón está completamente abierto y con las hojas detenidas.
- **¡ESTÁ ABSOLUTAMENTE PROHIBIDO** transitar mientras la cancela o portón se está cerrando!

Controle periódicamente el funcionamiento correcto de las fotocélulas y, al menos cada 6 meses, haga llevar a cabo los controles de mantenimiento.

- **Desperfectos:** ni bien note que la automatización no funciona correctamente, corte la alimentación eléctrica de la instalación y realice el desbloqueo manual. No realice ninguna reparación y

llame a su instalador de confianza: una vez desbloqueado el motorreductor, la instalación podrá funcionar manualmente como un cerramiento no automatizado.

- **Mantenimiento:** para garantizar una larga vida útil y para un funcionamiento seguro, la instalación, al igual que cualquier otra maquinaria, requiere un mantenimiento periódico. Establezca con su instalador un plan de mantenimiento con frecuencia periódica. Nice aconseja realizar un mantenimiento cada 6 meses para un uso residencial normal, que puede variar según la intensidad de uso. Cualquier tipo de control, mantenimiento o reparación debe ser realizado sólo por personal cualificado.
- Aunque piense que lo sabe hacer, no modifique la instalación ni los parámetros de programación y regulación del automatismo: la responsabilidad es de su instalador.
- El ensayo final, los trabajos de mantenimiento periódico y las posibles reparaciones deben ser documentados por quien los efectúa y los documentos tienen que ser conservados por el dueño de la instalación.

Las únicas operaciones que pueden hacerse y que le aconsejamos efectuar periódicamente son la limpieza de los vidrios de las fotocélulas y la eliminación de hojas o piedras que podrían obstaculizar el automatismo. Para que nadie pueda accionar la puerta, antes de proceder recuerde **desbloquear el automatismo** (como descrito más adelante) y utilice para la limpieza únicamente un paño ligeramente humedecido con agua.

- **Desguace:** al final de la vida útil del automatismo, el desguace debe ser realizado por personal cualificado y los materiales deben ser reciclados o eliminados según las normas locales vigentes.
- **En el caso de roturas o falta de alimentación:** esperando la intervención de su instalador, o la llegada de la energía eléctrica si la instalación no está dotada de baterías compensadoras, la automatización puede accionarse igual que cualquier cerramiento no automatizado. A tal fin es necesario realizar el desbloqueo manual (única operación que el usuario puede realizar): dicha operación ha sido estudiada por Nice para facilitarle su empleo, sin necesidad de utilizar herramientas ni hacer esfuerzos físicos.

- **Sustitución de la pila del telemando:** si el radiomando después de transcurrido un cierto período no funciona correctamente o deja de funcionar, podría ser que la pila esté agotada (puede durar desde varios meses a más de un año según el uso). Ud. se podrá dar cuenta de este inconveniente por el hecho de que la luz del indicador de confirmación de la transmisión no se enciende, es débil, o bien se enciende sólo durante un breve instante. Antes de llamar al instalador, pruebe a sustituir la pila con una de otro transmisor que funcione correctamente: si el problema fuera este, sustituya la pila con otra del mismo tipo. Las pilas contienen sustancias contaminantes: no las arroje en los residuos normales sino que elimínelas de acuerdo con las leyes locales.

¿Está Ud. satisfecho? Si Ud. deseara montar en su casa un nuevo automatismo, contacte al mismo instalador y a Nice, así podrá contar con la garantía del asesoramiento de un experto y los productos más modernos del mercado, el mejor funcionamiento y la máxima compatibilidad de las automatizaciones. Le agradecemos por haber leído estas recomendaciones y esperamos que esté satisfecho de su nueva instalación: ante cualquier exigencia, contacte con confianza a su instalador.

Mindy

A6 - A6F A700F

Spis treści

Str:

1	Ostrzeżenia	73	5	Programowanie	79
2	Opis produktu i przeznaczenie	74	5.1	Funkcje programowalne	80
2.1	Ograniczenia stosowania	75	5.2	Opis funkcji	80
2.2	Typowa instalacja	75	6	Odbiór techniczny	82
2.3	Wykaz przewodów	75	6.1	Oddanie do eksploatacji	83
3	Instalacja	76	7	Konserwacja i utylizacja	83
3.1	Kontrola wstępna	76	7.1	Konserwacja	83
3.2	Montaż	76	7.2	Utylizacja	84
3.3	Schemat połączeń	76	8	Akcesoria	84
3.4	Opis połączeń	77	9	Dane techniczne	84
3.5	Uwagi odnośnie połączeń	78			
4	Regulacja	78			
4.1	Tryby działania	79			

1) Ostrzeżenia

Instrukcja zawiera ważne informacje dotyczące bezpieczeństwa podczas montażu. Przed przystąpieniem do prac instalacyjnych przeczytaj uważnie wszystkie zalecenia. Instrukcję należy zachować na przyszłość.

W związku z zagrożeniami, jakie mogą wystąpić podczas montażu i eksploatacji oraz w celu zwiększenia bezpieczeństwa instalatora i użytkownika, montaż musi być przeprowadzony zgodnie z obowiązującymi przepisami, normami i regulaminami. Niniejszy rozdział zawiera wyłącznie ogólne ostrzeżenia, pozostałe ważne ostrzeżenia znajdują się w rozdziałach 3.1 – “Kontrola wstępna” oraz 6 – “Odbiór techniczny i oddanie do eksploatacji”.

⚠ Według obowiązujących przepisów wspólnotowych drzwi lub bramy automatyczne muszą być wykonane zgodnie z postanowieniami Dyrektywy Maszynowej 98/37/WE, a w szczególności z normami EN 13241-1 (norma zharmonizowana), EN 12445, EN 12453 i EN 12635, które pozwalają na wystawienie deklaracji zgodności produktu z Dyrektywą Maszynową.

Dodatkowe informacje i wytyczne ułatwiające sporządzenie analizy ryzyka i przygotowanie Dokumentacji Technicznej są dostępne na stronie internetowej: “www.niceforyou.com”. Niniejsza instrukcja skierowana jest wyłącznie do personelu technicznego, posiadającego odpowiednie kwalifikacje do przeprowadzenia montażu. Zawarte tu informacje nie są w żadnym wypadku przeznaczone dla użytkownika końcowego. Wyjątek stanowi załącznik pt. “Zalecenia i ostrzeżenia skierowane do użytkownika”, który instalator musi odłączyć od niniejszej instrukcji i przekazać użytkownikowi.

- Zabronione jest używanie urządzenia w innym celu niż przewidziane w niniejszej instrukcji; niewłaściwe użycie może być powodem zagrożeń lub szkód w stosunku do osób i rzeczy.
- Przed przystąpieniem do montażu należy przeprowadzić analizę ryzyka, w oparciu o wykaz zasadniczych wymagań w zakresie bezpieczeństwa, opisanych w załączniku I Dyrektywy Maszynowej i wskazać wdrożone środki zapobiegawcze. Przypominamy, że analiza ryzyka jest jednym z dokumentów, które składają się na Dokumentację Techniczną automatyki.
- Analizując konkretną sytuację i związane z nią zagrożenia, sprawdź czy konieczne będzie podłączenie pozostałych urządzeń dopełniających automatykę. Weź pod uwagę np. ryzyko uderzenia, przegięcia, przecięcia, wciągnięcia i innych podobnych zagrożeń.
- Nie dokonywać zmian w żadnych elementach, jeżeli nie jest to przewidziane w niniejszej instrukcji; tego typu zmiany mogą spowodować niewłaściwe działanie urządzenia; NICE uchyła się od wszelkiej odpowiedzialności za szkody pochodzące od urządzeń zmodyfikowanych.
- Podczas instalacji oraz użytkowania unikać sytuacji, w których elementy stałe lub substancje płynne mogłyby wnikać do wnętrza centrali oraz innych otwartych urządzeń; ewentualnie zwrócić się do serwisu technicznego NICE; używanie urządzenia w takich sytuacjach może doprowadzić do zagrożenia.
- Automatyka może być użytkowana dopiero po przekazaniu urządzenia do eksploatacji zgodnie z zaleceniami opisanymi w rozdziale “6 Odbiór techniczny i przekazanie do eksploatacji”.
- Opakowanie musi zostać zutilizowane zgodnie z obowiązującymi przepisami lokalnymi.
- W przypadku gdy informacje zawarte w niniejszej instrukcji okażą się niewystarczające do przywrócenia prawidłowego działania, skontaktuj się z serwisem technicznym firmy NICE.
- W przypadku stwierdzenia zadziałania automatycznych wyłączników lub bezpieczników, przed ponownym ich włączeniem należy określić i wyeliminować powodujące je uszkodzenie.
- Zanim przystąpisz do pracy na zaciskach znajdujących się pod pokrywą siłownika, odłącz wszystkie obwody zasilania. Jeśli urządzenie

odcinające zasilanie znajduje się poza zasięgiem Twojego wzroku, przywieś na nim karteczkę “UWAGA KONSERWACJA W TOKU”.

Specjalne ostrzeżenia dotyczące zgodności produktu do eksploatacji z punktu widzenia Dyrektywy Maszynowej 98/37/WE (ex 89/392/EWG):

- Produkt jest wprowadzany na rynek jako “element maszyny”. Jest przeznaczony do zamocowania w maszynie lub złożenia z innymi urządzeniami w celu stworzenia “maszyny” w rozumieniu Dyrektywy 98/37/WE, wyłącznie w zestawieniu z innymi elementami i w sposób opisany w niniejszej instrukcji. Zgodnie z wymaganiami dyrektywy 98/37/WE uprzedzamy, że przekazanie produktu do eksploatacji nie jest dozwolone, dopóki producent maszyny, w której produkt jest zamocowany nie określi jej danych identyfikacyjnych i nie przedstawi deklaracji zgodności z dyrektywą 98/37/WE.

Specjalne ostrzeżenia dotyczące zgodności produktu do eksploatacji z punktu widzenia Dyrektywy Niskiego Napięcia 73/23/EWG wraz z późniejszymi zmianami 93/68/EWG:

- Produkt odpowiada wymaganiom Dyrektywy Niskiego Napięcia o ile jest wykorzystywany zgodnie ze swoim przeznaczeniem, w konfiguracji przewidzianej przez niniejszą instrukcję oraz w zestawieniu z innymi artykułami znajdującymi się w katalogu produktów firmy NICE S.p.A. Jeśli produkt będzie wykorzystywany w innej konfiguracji lub w zestawieniu z innymi produktami, nieprzewidywanymi w instrukcji, wówczas może nie spełniać wymagań wspomnianej wyżej dyrektywy. W takiej sytuacji zabrania się eksploatacji produktu do czasu gdy instalator nie upewni się czy spełnione są wymagania wskazane w dyrektywie.

Specjalne ostrzeżenia dotyczące zgodności produktu do eksploatacji z punktu widzenia dyrektywy dotyczącej kompatybilności elektromagnetycznej 89/336/EWG wraz z późniejszymi zmianami 92/31/EWG oraz 93/68/EWG:

- Produkt został poddany badaniom z zakresu kompatybilności elektromagnetycznej w skrajnych sytuacjach użytkowania, w konfiguracji przewidzianej w niniejszej instrukcji oraz w zestawieniu z produktami znajdującymi się w katalogu produktów firmy Nice S.p.a. Kompatybilność elektromagnetyczna może nie być zagwarantowana, jeśli produkt użytkowany będzie w zestawieniu z innymi produktami, nieprzewidywanymi przez producenta. W takiej sytuacji zabrania się eksploatacji produktu do czasu gdy instalator nie upewni się czy spełnione są wymagania wskazane w dyrektywie.

2) Opis produktu i przeznaczenie

Centrala elektroniczna jest przeznaczona do sterowania ruchem bram automatycznych, może być podłączona do siłowników elektromechanicznych wyposażonych w jednofazowe silniki asynchroniczne.

Niniejsza instrukcja odnosi się do kilku wersji tej samej centrali, poszczególne wersje różnią się zakresem programowalnych funkcji oraz dostępnymi sygnałami wejściowymi, a ponadto różnymi sposobami sterowania siłowników:

A6: wersja podstawowa, elektroniczne nastawianie siły poprzez opóźnianie fazy

A6F: wersja podstawowa, elektromechaniczne nastawianie siły za pomocą przelącanego autotransformatora

A700F: wersja pełna, elektromechaniczne nastawianie siły za pomocą przelącanego autotransformatora.

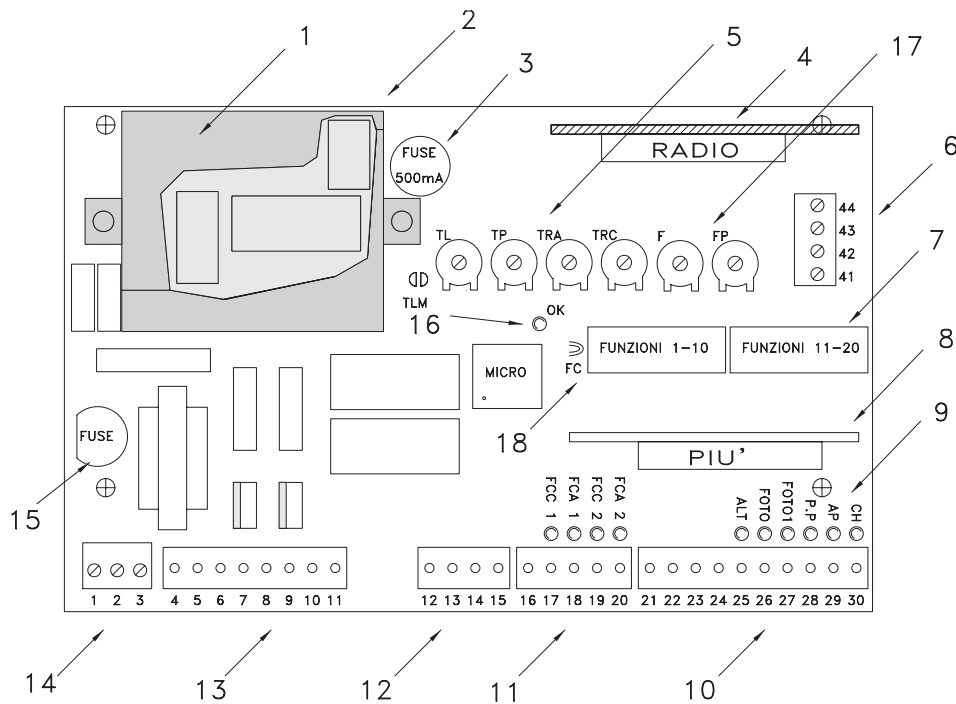
Centrala umożliwia działania w trybie "ręcznym", "półautomatycznym" lub "automatycznym"; podczas ruchu kontrolowane są sygnały zezwalające od urządzeń zabezpieczających (wejścia STOP, FOTO i FOTO1); w wersji **A700F** – ruch jest kontrolowany za pomocą wyłączników krańcowych, natomiast w wersji **A6** ruch jest kontrolowany czasem.

Urządzenie dysponuje funkcjami typu logicznego, począwszy od "Pamięci ruchu" aż do "Zamknij bezpośrednio po sygnale Foto", przechodząc przez "Zamykaj zawsze" oraz pewne szczególne funkcje typu operacyjnego "Łagodny start", "Łagodny stop".

W wersji **A700F** poprzez wstawienie karty rozszerzenia "PIU" powiększa się jeszcze zakres funkcji dzięki dodatkowym wejściom i wyjściom. Do wszystkich central przewidziana jest możliwość wstawienia szerokiej gamy odbiorników radiowych produkcji **Nice**.

W projekcie została zastosowana zaawansowana technika, aby zapewnić maksymalną odporność na zakłócenia, najwyższą elastyczność stosowania oraz najszerszy wybór funkcji programowalnych.

Przed rozpoczęciem instalacji centrali i wykonania połączeń należy zapoznać się z krótkim opisem najważniejszych elementów rozmieszczonych na płycie głównej:



- | | |
|--|---|
| <p>1: Transformator zasilania (tylko A6)</p> <p>2: Złącze autotransformatora zewnętrznego (tylko A6F lub A700F)</p> <p>3: Szybki bezpiecznik 500 mA w obwodzie zasilania 24 Vac</p> <p>4: Złącze do karty RADIO</p> <p>5: Trymery nastawiania czasów</p> <p>6: Zaciski do podłączenia anteny i wyjścia drugiego kanału RADIO</p> <p>7: Przelączniki typu dip-switch do wyboru funkcji</p> <p>8: Złącze do karty rozszerzenia PIU (tylko A700F)</p> <p>9: Diody sygnalizacyjne stanu wejść</p> <p>10: Zaciski wejść zabezpieczeń i sterowania</p> | <p>11: Zaciski wejść wyłączników krańcowych (tylko A700F)</p> <p>12: Zaciski wyjść zamka elektrycznego (tylko A6F i A700F) i Foto-test (tylko A700F)</p> <p>13: Zaciski wyjść lampy ostrzegawczej i silników</p> <p>14: Zaciski zasilania 230Vac</p> <p>15: Szybki bezpiecznik (5A 230Vac) lub (6.3A 120Vac)</p> <p>16: Dioda OK</p> <p>17: Trymer nastawiania siły</p> <p>18: Mostek FC wyłączników krańcowych normalnie otwartych</p> |
|--|---|

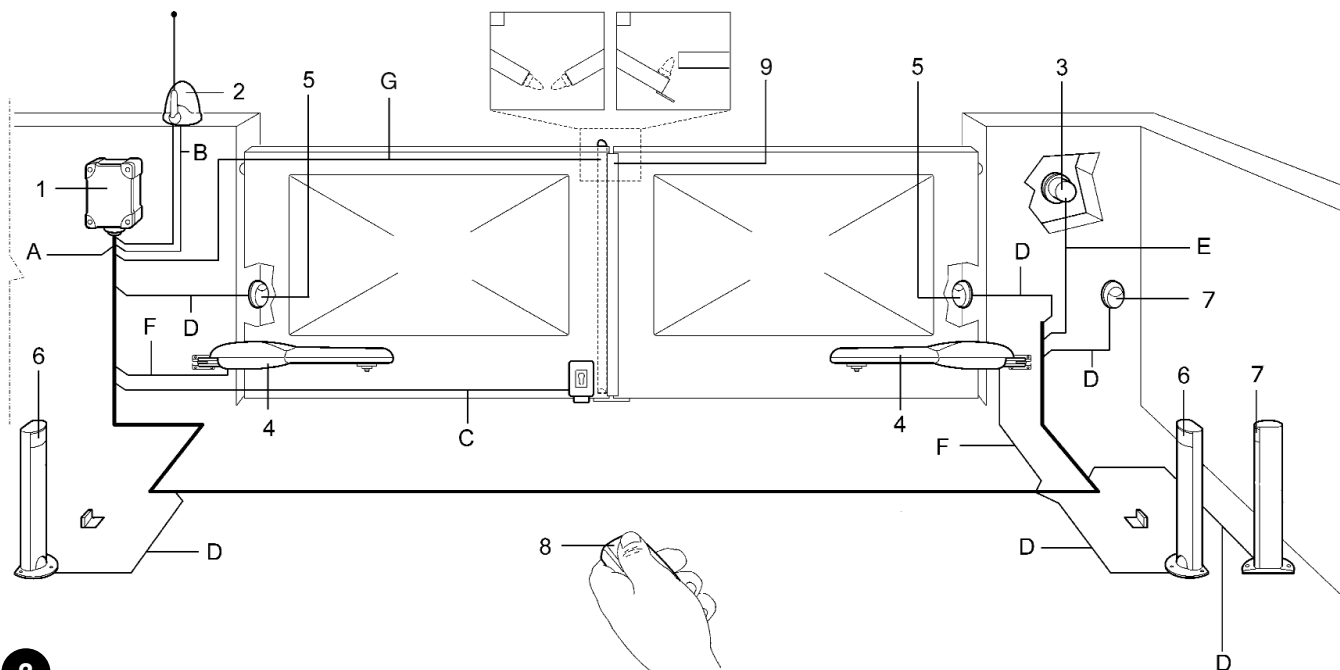
Dioda OK (**16**), mająca za zadanie sygnalizować prawidłowe działanie wewnętrznych układów logiki, powinna błyskać raz na sekundę wskazując, że mikroprocesor centrali jest aktywny i oczekuje na sygnały sterujące. Przy zmianie stanu wejść (**10 – 11**) lub przelącznika wyboru funkcji (**7**) generowane jest szybkie podwójne błysnięcie, także wówczas, gdy zmiana ta nie powoduje bezpośrednich efektów.

Gdy centrala jest zasilana, diody kontrolne (**9**), które są umieszczone przy wejściach, zapalają się, jeśli dane wejście jest aktywne, a więc gdy jest na nim obecne napięcie sterujące 24 Vac. Normalnie, diody na wejściach bezpieczeństwa STOP, FOTO i FOTO1 oraz na wejściach od wyłączników krańcowych świecą się zawsze, natomiast diody na wejściach sterujących KROK PO KROKU, OTWÓRZ i ZAMKNIJ są normalnie zgaszone.

2.1) Ograniczenia zastosowań

Dane odnoszące się do parametrów produktów zebrane są w rozdziale 9 "Dane techniczne" i jedynie na podstawie tych wartości możliwa jest prawidłowa ocena przydatności produktu do użytkowania.

2.2) Typowa instalacja



- | | |
|--------------------------------|----------------------------|
| 1. Centrala A6 / A6F / A700F | 6. Para fotokomórek FOTO 1 |
| 2. Lampa ostrzegawcza z anteną | 7. Para fotokomórek FOTO 2 |
| 3. Przełącznik kluczykowy | 8. Nadajnik radiowy |
| 4. Siłowniki | 9. Listwa krawędziowa |
| 5. Para fotokomórek FOTO | |

UWAGA: Powyższy schemat przedstawia jedynie możliwe zastosowanie centrali i powinien być uważany tylko jako przykład. Jedynie dogłębna analiza zagrożeń "maszyny-bramy" i odpowiednia ocena wymagań końcowego użytkownika mogą pozwolić na określenie ile i jakie elementy należy zainstalować.

2.3) Wykaz przewodów

W typowej instalacji na rysunku 2 pokazano przewody niezbędne do wykonania połączeń różnych urządzeń, natomiast w tabeli 1 są podane dane tych przewodów.

⚠ Zastosowane przewody powinny być dostosowane do rodzaju instalacji; na przykład zaleca się przewód typu H03VV-F do zastosowań wewnątrz pomieszczeń lub H07RN-F do zastosowań zewnętrznych.

Tabella 1: elenco cavi

Połączenie	Typ przewodu	Zalecana maksymalna długość
A: Linia zasilania	przewód 3x1,5 mm ²	30 m (uwaga 1)
B: Lampa ostrzegawcza z anteną	przewód 2x0,5 mm ²	20 m
	przewód ekranowany typu RG58	20 m (zalecane mniej niż 5 m)
C: Zamek elektryczny	przewód 2x1 mm ²	20 m
D: Fotokomórki	przewód 2x0,25 mm ² (Tx - strona nadawcza)	30 m
	przewód 4x0,25 mm ² (Rx- strona odbiorcza)	30 m
E: Przełącznik na klucz	przewód 4x0,25 mm ²	30 m
F: Podłączenie silników	przewód 4x1,5 mm ²	10 m
G: Podłączenie listwy krawędziowej	przewód 2x0,25 mm ²	30 m

Uwaga 1: jeżeli przewód zasilający jest dłuższy niż 30 m, należy zastosować przewód o większej średnicy, np. 3x2,5 mm² i konieczne jest uziemienie w pobliżu systemu automatyki.

3) Instalacja

⚠ Instalacja powinna być wykonana przez osobę wykwalifikowaną z zachowaniem przepisów, norm oraz uregulowań zawartych w niniejszej instrukcji.

3.1) Kontrola wstępna

Przed rozpoczęciem instalacji niezbędnym jest wykonanie następującej kontroli:

- Sprawdzić, czy materiały, które będą zastosowane, są w dobrym stanie, odpowiednie do użycia i zgodne z normami.
- Sprawdzić, czy konstrukcja bramy jest przystosowana do zastosowania sterowania automatycznego.
- Sprawdzić, czy punkty mocowania poszczególnych urządzeń znajdują się w miejscach zabezpieczonych od uderzeń a powierzchnie są wystarczająco mocne.
- Wstawić odpowiednie przelotki kabli lub rurki ochronne tylko w części dolnej centrali, z żadnego powodu w ścianach bocznych i powierzchni górnej centrali nie można wiercić otworów. Przewody mogą wchodzić do centrali wyłącznie od dołu!
- Zapobiec sytuacji, w której części elementów automatyki mogłyby zostać zanurzone w wodzie lub innych substancjach płynnych.
- Nie ustawiać central A6 – A6F – A700F w pobliżu ognia lub źródeł ciepła, w atmosferze potencjalnie wybuchowej, szczególnie kwasowej lub solnej; może to bowiem uszkodzić centralę oraz stać się

przyczyną niewłaściwego działania lub sytuacji niebezpiecznych.

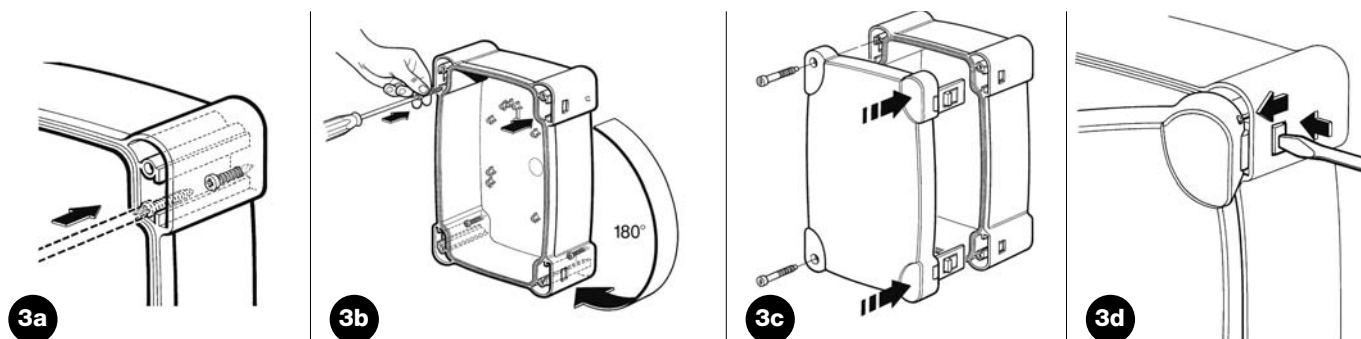
- W przypadku, gdy w skrzydle bramy znajdują się drzwi przejściowe albo gdy drzwi znajdują się w obszarze ruchu skrzydła należy upewnić się, czy nie przeszkadzają one w normalnym manewrze i wyposażyć je w o odpowiedni system wzajemnej blokady.
- Podłączyć centralę do linii zasilającej wyposażonej w uziemienie zabezpieczające.
- Linia zasilająca powinna być zabezpieczona odpowiednim urządzeniem magnetotermicznym i różnicowym.
- Do linii zasilającej od strony sieci elektrycznej konieczne jest wstawienie urządzenia rozłączającego (z III kategorią przepięcia, tj. z odległością pomiędzy stykami co najmniej 3,5 mm) lub innego systemu równoważnego, jak np. gniazdo i odpowiednia wtyczka. Jeżeli urządzenie rozłączające zasilanie nie znajduje się w pobliżu systemu automatyki, należy wstawić system blokujący nie zamierzone lub nie upoważnione włączenie.

3.2) Montaż

Wstawić dwa wkręty w odpowiednie otwory górne przesuwając je w otworze prowadzącym, jak pokazuje rysunek 3A, lekko je przykręcając. Obrócić o 180° centralę i powtórzyć tę samą czynność z innymi dwoma wkrętami. Umocować centralę do ściany.

Przymocować pokrywę od wymaganej strony (otwieraną na prawo lub na lewo) i silnie docisnąć zgodnie ze strzałkami.

Aby usunąć pokrywę, należy nacisnąć śrubokrętem punkt zamocowania, przemieszczając go równocześnie w górę.



3.3) Schemat połączeń

Po zamontowaniu centrali, siłowników, odpowiednich elementów sterujących (przełącznik typu kluczykowego lub klawiatura z przyciskami) i zabezpieczających (zatrzymanie awaryjne, fotokomórki, czujniki i lampy ostrzegawcze) można przejść do wykonania połączeń elektrycznych, zgodnie z zamieszczonymi poniżej wskazówkami.

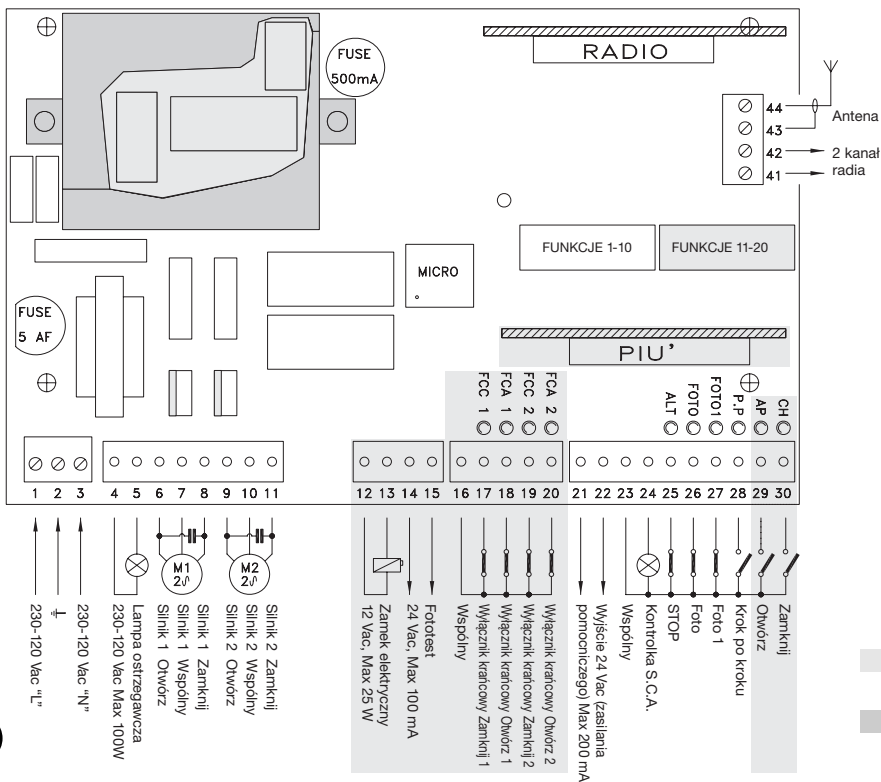
⚠ Aby zagwarantować bezpieczeństwo operatora i uniknąć uszkodzeń elementów podczas wykonywania połączeń, zarówno napięcia sieciowego (230 – 120 Vac) jak i niskiego napięcia (24 V) lub podczas wkładania różnych kart:

Centrala bezwzględnie nie może być zasilana prądem elektrycznym.

Należy ponadto pamiętać, że wejścia dla zestyków typu NC (normalnie zamknięty), jeżeli nie są wykorzystywane, powinny zostać zmostkowane, jeśli jest ich więcej niż jeden, należy je połączyć SZEREGOWO pomiędzy sobą; wejścia dla zestyków typu NO (normalnie otwarte), jeżeli nie są wykorzystywane, powinny zostać wolne, jeśli jest ich więcej niż jeden, należy je połączyć RÓWNOLEGLE pomiędzy sobą. Odnosnie zestyków, to powinny być one bezwzględnie typu mechanicznego i wolne od jakiegokolwiek napięcia; nie są dozwolone połączenia grupowe, typu określanego jako "PNP", "NPN", "Otwarty kolektor", itd.

Wykonać niezbędne połączenia zgodnie ze schematem na rys. 4, i opisem połączeń.

⚠ Przypomina się o przestrzeganiu w sposób bezwzględny szczegółowych norm dotyczących zarówno bezpieczeństwa instalacji elektrycznych jak też bram otwieranych automatycznie.



- Zaznaczona część układu występuje tylko w wersji **A700F**
- Zaznaczona część układu występuje tylko w wersjach **A6F** i **A700F**

4

3.4) Opis połączeń

Przedstawimy krótki opis możliwych połączeń centrali z układami zewnętrznymi:

- 1...3** : 230 - 120 Vac
- 4-5** : Lampa ostrzegawcza = Wyjście do podłączenia lampy ostrzegawczej 230 - 120 Vac, maksymalna moc lampy 100 W
- 6...8** : Silnik 1 = Wyjście do podłączenia pierwszego silnika 230 - 120 Vac
- 9...11** : Silnik 2 = Wyjście do podłączenia drugiego silnika 230 - 120 Vac

Uwaga: Silniki 1 i 2 różnią się tylko opóźnieniem startu. Silnik nr 1 jest powiązany z czasem opóźnienia otwierania "TRA", natomiast silnik nr 2 jest powiązany z czasem opóźnienia zamykania "TRC". Jeżeli czasy opóźnienia nie są wymagane, to pomiędzy tymi dwoma silnikami nie ma różnicy.

Następujące zaciski występują tylko w centrali **A6F** i **A700F**

- 12-13** : Zamek elektryczny = Wyjście 12 Vac uaktywniające zamek elektryczny, maksymalna moc 25 W

Następujące zaciski występują tylko w centrali **A700F**

- 14-15** : Fototest = Wyjście 24 Vac do zasilania nadajników fotokomórek, maksymalnie 100 mA
- 16** : Wspólny = Wspólny dla wejść wyłączników krańcowych (tak samo, jak inny zacisk wspólny 23)
- 17** : Wyłącznik krańcowy C1 = Wejście wyłącznika krańcowego zamykania dla silnika 1
- 18** : Wyłącznik krańcowy A1 = Wejście wyłącznika krańcowego otwierania dla silnika 1
- 19** : Wyłącznik krańcowy C2 = Wejście wyłącznika krańcowego zamykania dla silnika 2
- 20** : Wyłącznik krańcowy A2 = Wejście wyłącznika krańcowego otwierania dla silnika 2
- 21-22** : 24 Vac = Wyjście 24 Vac do zasilania pomocniczego (foto, radio, itd.) maksymalnie 200 mA
- 23** : Wspólny = Wspólny dla wszystkich wejść (jako Wspólny jest używany także zacisk 22)
- 24** : Kontrolka S.C.A. = Wyjście dla kontrolki otwartej bramy 24 Vac, moc maksymalna kontrolki 2 W
- 25** : STOP = Wejście z funkcją STOP (awaria, blokada lub najwyższe zabezpieczenie)
- 26** : Foto = Wejście dla urządzeń zabezpieczających (fotokomórki, listwy krawędziowe pneumatyczne i rezystancyjne)
- 27** : Foto1 = Wejście dla innych urządzeń zabezpieczających (fotokomórki, listwy krawędziowe pneumatyczne i rezystancyjne)
- 28** : Passo Passo (Krok po kroku) = Wejście do sterowania sekwencyjnego (OTWÓRZ-STOP-ZAMKNIJ-STOP)

Następujące zaciski występują tylko w centrali **A700F**

- 29** : Otwórz = Wejście otwierania (ewentualnie sterowane zegarem)
- 30** : Zamknij = Wejście zamykania
- 41-42** : 2 kanał radia = Wyjście ewentualnego drugiego kanału odbiornika radiowego
- 43-44** : Antena = Wejście anteny odbiornika radiowego

Na płycie centrali występują dwa złącza przewidziane do osadzenia dodatkowych kart (opcja):

RADIO = Złącze dla odbiorników radiowych produkowanych przez **Nice**

PIU = Złącze dla karty rozszerzeń **PIU** (tylko dla wersji **A700F**)

Ze wstawieniem ewentualnych kart opcjonalnych RADIO lub PIU zaleca się zacząć do momentu zakończenia kompletnej instalacji i po sprawdzeniu działania całego urządzenia. Karty opcjonalne nie są konieczne do weryfikacji działania; jeżeli zostaną wstawione wcześniej, mogą utrudnić znalezienie ewentualnych uszkodzeń.

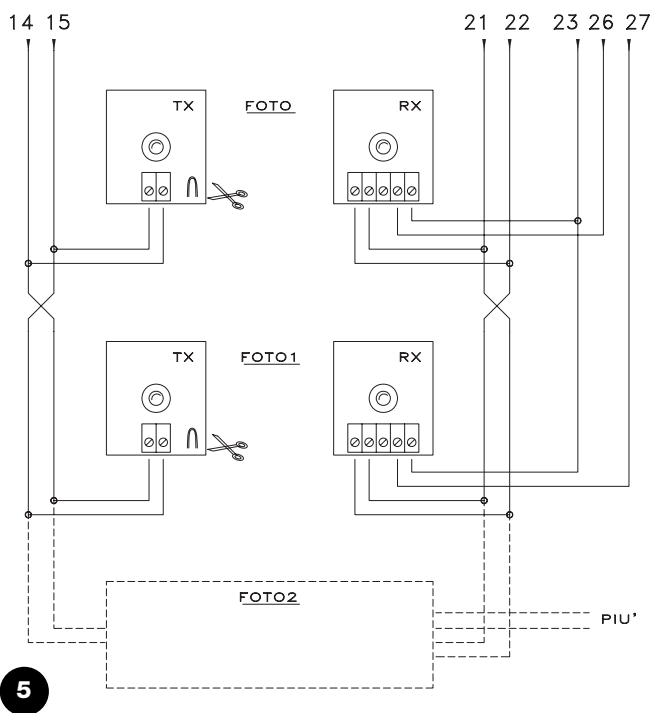
PL

3.5) Uwagi odnośnie połączeń

Większość połączeń jest wyjątkowo prosta, znaczną część stanowią połączenia bezpośrednie do pojedynczych urządzeń lub styków, niektóre natomiast realizują łączenia nieco bardziej skomplikowane: Wszystkie silniki asynchroniczne jednofazowe wymagają dla prawidłowego działania podłączenia kondensatora, niektóre silowniki mają już kondensator podłączony wewnętrznie, inne natomiast wymagają podłączenia kondensatora zewnętrznego. W takim przypadku kondensator winien być podłączony pomiędzy fazy silnika OTWÓRZ i ZAMKNIJ. W praktyce wygodnie jest podłączyć kondensator bezpośrednio wewnątrz centrali do odpowiednich zacisków.

Poniższa część dotyczy tylko wersji A700F

Szczegółowej uwagi wymaga wyjście "Fototest"; jest to najlepsze z możliwych rozwiązanie w celu zwiększenia niezawodności urządzeń zabezpieczających. Każdorazowo po włączeniu manewru są kontrolowane odpowiednie urządzenia zabezpieczające i tylko w przypadku ich prawidłowego stanu manewr może zostać rozpoczęty. Jeżeli natomiast próba tych urządzeń nie da pozytywnego wyniku (fotokomórka oślepiąca światłem słonecznym, zwarcie w przewodach, itp.), zostaje wykazane uszkodzenie i manewr nie będzie wykonany. To wszystko jest możliwe tylko przy zastosowaniu określonej konfiguracji połączeń urządzeń zabezpieczających (Rys. 5). Jak można zauważyć ze schematu elektrycznego, odbiorniki fotokomórek FOTO, FOTO1 i ewentualnie FOTO2 (na karcie PIU) są zasilane normalnie napięciem pomocniczym 24 Vac, natomiast nadajniki pobierają zasilanie z wyjścia FOTOTEST. Przed wykonaniem jakiegokolwiek manewru, najpierw jest realizowane sprawdzenie, czy wszystkie odbiorniki powiązane z danym manewrem dają zgodę na jego wykonanie, następnie zostaje wyłączone wyjście FOTOTEST i następuje sprawdzenie, czy wszystkie odbiorniki sygnalizują ten fakt, odmawiając zgody na wykonanie manewru; w końcu zostaje ponownie uaktywnione wyjście FOTOTEST i na nowo sprawdzane jest pozwolenie na manewr od wszystkich odbiorników. Jak można zauważyć, na dwóch nadajnikach została uaktywniona synchronizacja, poprzez przecięcie odpowiednich mostków; jest to jedyny sposób, aby zapewnić, że dwie pary fotokomórek nie będą zakłócać się wzajemnie. Sprawdź w podręczniku fotokomórek instrukcje dotyczące działania zsynchronizowanego.

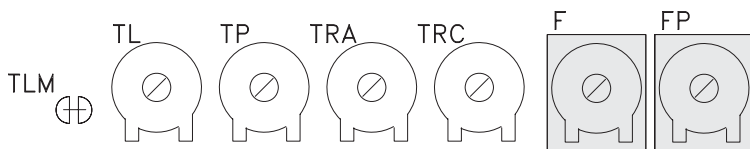


W przypadku, gdy wejście "FOTO" nie będzie używane, odpowiedni zacisk mostkuje się za pomocą przełącznika 24 Vac, podłączonego do wyjścia FOTOTEST.

- Zwykle w bramach dwuskrzydłowych stosuje się silowniki, które nie wymagają używania wyłączników krańcowych montowanych przy bramie; instaluje się wówczas ograniczniki mechaniczne, które zatrzymują manewr w żądanym miejscu. Ponadto w centrali jest trymer "Czas pracy", który normalnie jest ustawiany na czas niewiele dłuższy od czasu potrzebnego na realizację całego manewru. Gdy skrzydło bramy osiągnie punkt ogranicznika mechanicznego, silnik blokuje się i pozostaje pod działaniem siły przez pozostały czas; silniki są zawsze projektowane tak, aby wytrzymały bez jakichkolwiek problemów ten rodzaj obciążenia, w szczególności, gdy siła osiąga wartości poniżej 100%.
- W niektórych instalacjach, np. w przypadku dwóch skrzydeł przesuwanych lub w przypadku, gdy wymaga się wykorzystania funkcji pozycjonowania, może być wymagane zastosowanie wyłączników krańcowych przy bramie. W większości przypadków, gdy stosowane są wyłączniki krańcowe, są one typu "NC" (normalnie zamknięte), aby w przypadku ewentualnego uszkodzenia spowodowały zatrzymanie silnika, nie pozwalając na zablokowanie się skrzydła. W innych przypadkach, gdy np. wykorzystuje się zestyki typu magnetycznego, może się zdarzyć, że trzeba zastosować wyłącznik krańcowy typu "NO" (normalnie otwarty). Aby dostosować centralę do używania wyłączników krańcowych typu NO konieczne jest usunięcie mostka FC na płycie (Rys.2). Ten sam mostek może być usunięty także w przypadku, gdy wyłączniki krańcowe nie są stosowane, co pozwoli uniknąć zakładania odpowiednich mostków na wejściach 17-20.
- W zależności od typu silownika i funkcji, jaką chce się uzyskać, wyłączniki krańcowe mogą zostać zastosowane jako wskaźniki punktu końcowego ruchu (funkcja położenia końcowego) lub jako sygnalizatory punktu początkowego funkcji pozycjonowania. W tym ostatnim przypadku wyłączniki krańcowe są zwykle ustawiane na 10-20° przed punktem zatrzymania skrzydła bramy i wskazują położenie, w którym siła silników zostanie zmniejszona (regulowana za pomocą odpowiedniego trymera SIŁA POZYCJONOWANIA) w taki sposób, aby uzyskać mechaniczne zatrzymanie z możliwie najmniejszym przeciążeniem.

4) Regulacja

- TLM** = Mostek zwiększonego czasu pracy
- TL** = Czas pracy
- TP** = Czas przerwy
- TRA** = Czas opóźnienia otwierania
- TRC** = Czas opóźnienia zamykania
- F** = Siła
- FP** = Siła pozycjonowania



W przypadku bramy złożonej z 2 skrzydeł mogą one zablokować się, jeżeli podczas otwierania zaczynają manewr równocześnie lub podczas zamykania jedno skrzydło nakłada się na drugie; wówczas konieczne jest przeciwdziałanie poprzez regulację trymerów Czasu Opóźnienia Otwierania [TRA] lub Czasu Opóźnienia Zamykania [TRC].

Trymery te mogą być regulowane dowolnie, chociaż zwykle trymer TRA jest ustawiany ze względu na wymaganie, aby skrzydło napędzane przez silnik nr 2 znajdowało się już poza strefą zakleszczenia, gdy zaczyna pracować silnik nr 1.

Trymer TRC powinien być ustawiany tak, aby podczas zamykania skrzydło napędzane silnikiem nr 2 domykało się zawsze wtedy, gdy silnik nr 1 zakończył już manewr zamykania. Czas Opóźnienia Zamykania może być też stosowany w celu uzyskania 50 cm odstępu bezpieczeństwa pomiędzy skrzydłami podczas zamykania.

W tym przypadku należy wybrać tryb "półautomatyczny", przemieszczając na "On" przełącznik typu dip-switch nr 1, a następnie ustawiając trymer Czasu Pracy na około połowę zakresu regulacji. Przy tych ustawieniach należy sprawdzić cały cykl otwierania i zamykania, regulując ewentualnie trymer Czasu Pracy tak, aby czas był wystarczający na wykonanie całego manewru i pozostał jeszcze 2 lub 3 sekundowy zapas. W przypadku, gdy pomimo maksymalnego ustawienia trymera nie uzyskuje się wystarczającego czasu, można usunąć mostek TLM, znajdujący się na płycie w pobliżu trymera, co powoduje zwiększenie czasu pracy. W niektórych rodzajach siłowników, np. hydraulicznych, regulacja siły jest przewidziana bezpośrednio na zespole siłownika; należy sprawdzić w odpowiednim podręczniku wyjaśnienia dotyczące regulacji, a następnie pozostawić ustawienie siły wewnątrz centrali w położeniu maksymalnym. Dla wszystkich rodzajów siłowników, które nie mają urządzenia regulującego siłę, możliwe jest wykorzystanie systemu regulacji siły wewnątrz centrali: w zależności od wersji stosowanej centrali postępować zgodnie z odpowiednimi instrukcjami.

Poniższa część dotyczy tylko wersji A6

W centrali znajduje się trymer SIŁA, który zwykle jest ustawiony na

wartość maksymalną; należy przekręcić trymer za pomocą śrubokręta w kierunku przeciwnym do ruchu wskazówek zegara aż do zmniejszenia siły silnika do wartości przewidzianej przez normatywy.

Poniższa część dotyczy tylko wersji A6F i A700F

W centrali znajduje się autotransformator o odpowiedniej mocy z pośrednimi zaczeplami na uzwojeniu pierwotnym, możliwymi do przełączenia za pomocą specjalnego przełącznika SIŁA; aby zmniejszyć siłę silnika do wartości przewidzianej przez normatywy, należy przełączyć go do odpowiedniego położenia.

We wszystkich systemach regulacji siły, w fazie początkowej przez okres ok. 1.5 sekundy uzyskiwana jest maksymalna wartość siły; dopiero po tym czasie, określanym jako "czas rozruchu", centrala realizuje siłę wynikającą z konkretnej regulacji.

Jeżeli ustawiony został tryb automatyczny (przełącznik nr 2 w pozycji "On") po zakończeniu manewru otwierania następuje pauza, po której zostaje automatycznie uruchomiony manewr zamykania. Ten czas, w którym brama pozostaje otwarta, jest regulowany przez specjalny trymer CZAS PRZERWY, który może być ustawiany na preferowaną wartość bez żadnych ograniczeń. Zamykanie automatyczne (i tym samym odpowiednia przerwa) jest uaktywniane także w ruchu półautomatycznym, gdy podczas zamykania zadziałanie urządzenia zabezpieczającego powoduje inwersję ruchu w kierunku otwierania.

Dopiero teraz, po wykonaniu wszystkich ustawień, zaleca się wpięcie w złącze radiowe ewentualnego odbiornika radiowego, pamiętając, że jego sygnały sterujące (z pierwszego kanału) zostają wysyłane na wejście KROK PO KROKU.

4.1) Tryby działania

Uwaga: niektóre opisy dotyczą tylko wersji **A700F**

Podczas działania w trybie ręcznym wejście OTWÓRZ umożliwia ruch otwierania, wejście ZAMKNIJ umożliwia ruch zamykania, wejście KROK PO KROKU umożliwia ruch otwierania i zamykania alternatywnie; jak tylko zaniknie sygnał sterujący na wejściu ruch zatrzymuje się. Przy otwieraniu ruch zatrzymuje się, gdy zadziałają wyłączniki krańcowe lub gdy brakuje zgody od fotokomórki FOTO2 (na karcie PIŪ); przy zamykaniu natomiast ruch zatrzymuje się także wtedy, gdy brakuje zgody od fotokomórek FOTO i FOTO1. Zarówno przy otwieraniu jak i przy zamykaniu zadziałanie wejścia STOP powoduje zawsze natychmiastowe zatrzymanie ruchu i krótkie cofnięcie bramy. Gdy tylko ruch zostanie zatrzymany, koniecznie powinien zaniknąć sygnał sterujący, zanim nowy sygnał sterujący spowoduje rozpoczęcie nowego manewru.

Podczas działania w jednym z trybów automatycznych (półautomatyczny, automatyczny lub zamykanie zawsze) impuls sterowania na wejściu OTWÓRZ powoduje ruch otwierania; jeżeli sygnał sterujący pozostanie aktywny na wejściu OTWÓRZ, ruch zostaje "zamrożony" na czas nieskończony; jedynie w przypadku zaniku sygnału sterującego na wejściu otwierającym, brama może zostać ponownie zamknięta.

Impuls na wejściu KROK PO KROKU powoduje alternatywnie otwieranie i zamykanie. Powtórny impuls na wejściu KROK PO KROKU lub na to samo wejście, które rozpoczęło ruch, powoduje zatrzymanie. Zarówno podczas otwierania jak i podczas zamykania zadziałanie polecenia STOP powoduje natychmiastowe zatrzymanie ruchu i krótką inwersję (cofnięcie).

Jeżeli na którymś z wejść sterujących zamiast impulsu pojawi się sygnał ciągły, spowoduje to stan "przewagi", w którym pozostałe wejścia będą nieaktywne (jest to przydatne przy podłączeniu zegara lub przełącznika Noc-Dzień). W przypadku wyboru automatycznego trybu działania po zakończeniu manewru otwierania następuje przerwa, po której samoczynnie zostaje wykonane zamykanie. Jeżeli podczas przerwy zadziała fotokomórka FOTO lub FOTO1, timer czasu pauzy powróci do stanu pierwotnego, rozpoczynając odliczanie od początku; jeżeli natomiast podczas przerwy zostanie wygenerowane polecenie STOP, funkcja zamykania zostanie zdezaktywowana i system przejdzie w stan STOP. Podczas otwierania - zadziałanie fotokomórek FOTO lub FOTO1 nie dają żadnego efektu, natomiast fotokomórka FOTO2 (na karcie PIŪ) powoduje inwersję ruchu; podczas zamykania zadziałanie fotokomórek FOTO lub FOTO1 powoduje inwersję ruchu a następnie - po przerwie - ponowne zamykanie.

5) Programowanie

W centrali znajduje się zespół mikrowyłączników, które umożliwiają uaktywnianie różnych funkcji w celu przystosowania urządzenia do wymagań użytkownika oraz jego lepszego zabezpieczenia w różnych warunkach użytkowania. Wszystkie funkcje są uaktywniane poprzez ustawienie odpowiedniego przełącznika typu dip-switch w położenie "On" (do góry), natomiast wyłączane przez ich ustawienie w położeniu "Off" (do dołu). Niektóre funkcje nie wywołują bezpośrednio skutku i mają sens jedynie w określonych warunkach, np. funkcja nr 12 "Oświetlenie ostrzegawcze także podczas przerwy" jest aktywna tylko w trybie zamykania automatycznego i jeżeli

manewr nie zostanie przerwany sygnałem sterującym STOP.

⚠ UWAGA: niektóre funkcje programowalne dotyczą aspektu bezpieczeństwa; należy ocenić z wielką uwagą skutki działania takiej funkcji i sprawdzić, która funkcja zapewni największy stopień bezpieczeństwa. Podczas konserwacji urządzenia, zanim dokona się modyfikacji funkcji programowalnej, należy ocenić powód, dla którego na etapie instalacji zostały dokonane odpowiednie wybory, a następnie sprawdzić, czy na skutek nowego zaprogramowania nie pogorszy się bezpieczeństwo.

5.1) Funkcje programowalne

Zespół przełączników typu dip-switch FUNKCJE umożliwia dokonanie wyboru różnych trybów działania i ustawienia pożądaných funkcji zgodnie z poniższą tabelą:

Przeł. 1-2:	Off Off	= Ruch "Ręczny" tzn. w obecności operatora
	On Off	= Ruch "Półautomatyczny"
	Off On	= Ruch "Automatyczny" tzn. zamykanie automatyczne
	On On	= Ruch "Automatyczny + zamykanie zawsze"
Przeł. 3	On	= Zespół mieszkalny < nie jest dostępny w trybie ręcznym >
Przeł. 4	On	= Wstępne ostrzeżenie błyskiem lampy
Przeł. 5	On	= Zamknij zaraz po Foto < tylko w trybie automatycznym >
Przeł. 6	On	= Foto1 aktywna także przy otwieraniu
Przeł. 7	On	= Łagodny start
Przeł. 8	On	= Łagodny stop
Przeł. 9	On	= Domknięcie przed otwarciem
Przeł. 10	On	= Oświetlenie na lampie ostrzegawczej

W wersji A700F jest dodatkowo drugi zespół przełączników typu dip-switch z kolejnymi funkcjami:

Przeł. 11	On	= Funkcja pozycjonowania < tylko z zastosowaniem wyłączników krańcowych >
Przeł. 12	On	= Lampa ostrzegawcza także w czasie przerwy < tylko w trybie automatycznym >
Przeł. 13	On	= Utrzymanie ciśnienia (dla układów hydraulicznych)
Przeł. 14	On	= Kontrolka stanu bramy z proporcjonalnym miganiem
Przeł. 15	On	= Uaktywnienie funkcji Fototest
Przeł. 16	On	= Foto i Foto1 aktywne także podczas otwierania
Przeł. 17	On	= Foto i Foto1 na początku manewru otwierania
Przeł. 18	On	= Pomińcie STOP podczas otwierania
Przeł. 19	On	= Pomińcie STOP podczas zamykania
Przeł. 20	On	= ZAMKNIJ zmienia się na OTWÓRZ DLA PIESZYCH (furtka)

Należy pamiętać, że funkcje, które są dostępne jedynie w określonych warunkach, są oznaczone na końcu opisu funkcji uwagami zawartymi pomiędzy znakami "<>".

Oczywiście każda zworka przełącznika typu dip-switch ustawiona na "Off" dezaktywuje opisaną funkcję.

5.2) Opis funkcji

Poniżej znajduje się krótki opis funkcji, które można włączyć, ustawiając na "On" odpowiednią zworkę przełącznika typu dip-switch

Przełącznik 1-2:

Off Off	= Ruch "Ręczny" (w obecności operatora)
On Off	= Ruch "Półautomatyczny"
Off On	= Ruch "Automatyczny" (Zamykanie automatyczne)
On On	= Ruch "Automatyczny + Zamykanie zawsze"

W trybie "Ręcznym" ruch jest wykonywany tylko tak długo, jak długo jest obecny sygnał sterujący (naciśnięty przycisk).

W trybie "Półautomatycznym" wystarczy impuls sterujący i zostaje wykonany cały ruch, aż do osiągnięcia ogranicznika mechanicznego lub do zadziałania wyłącznika krańcowego. W trybie "Automatycznym" po otwarciu następuje przerwa a następnie samoczynne zamykanie. Funkcja "Zamykanie zawsze" działa po wystąpieniu chwilowego braku zasilania; jeżeli okaże się, że brama jest otwarta, wówczas automatycznie uruchamia się manewr zamykania poprzedzony 5-cio sekundowym miganiem lampy ostrzegawczej.

Przełącznik 3: On = Zespół mieszkalny (nie jest dostępny w trybie ręcznym)

W trybie zespołu mieszkalnego po uruchomieniu manewru otwierania nie może on zostać przerwany przez inne impulsy sterujące w trybie KROK PO KROKU lub OTWÓRZ aż do końca manewru otwierania. W fazie zamykania nowy impuls sterujący powoduje zatrzymanie i inwersję ruchu otwierania.

Przełącznik 4: On = Wstępne miganie lampy ostrzegawczej

Wraz z impulsem sterującym najpierw uruchamiana jest lampa ostrzegawcza a następnie, po 5 sekundach (2 sek., jeżeli w trybie ręcznym), rozpoczyna się ruch.

Przełącznik 5: On = Ponowne zamykanie bezpośrednio po Foto (tylko, jeżeli w trybie automatycznym)

Funkcja ta umożliwia utrzymanie otwartej bramy tylko przez czas niezbędny na przejazd; po zadziałaniu FOTO lub FOTO1 zamykanie będzie się odbywało zawsze z 5-cio sekundową przerwą, niezależnie od nastawionego Czasu Przerwy.

Przełącznik 6: On = Foto1 także podczas otwierania

Funkcja ta jest jedyną, która różni działanie fotokomórek FOTO i FOTO1. Normalnie zabezpieczenia fotokomórek FOTO i FOTO1 działają tylko podczas manewru zamykania, natomiast podczas otwierania nie dają żadnego efektu.

Jeżeli przełącznik nr 6 zostanie ustawiony na "On", fotokomórka FOTO nadal będzie działać tylko przy zamykaniu, natomiast fotokomórka FOTO1 będzie aktywna także podczas otwierania, powodując przerwanie manewru. W trybie półautomatycznym lub automatycznym ponowne rozpoczęcie ruchu będzie miało miejsce, gdy fotokomórka FOTO1 zostanie na nowo zwolniona. Ten rodzaj działania okazuje się użyteczny w celu powstrzymania ruchu bramy podczas otwierania, gdy np. pojazd zbliża się do bramy od strony wewnętrznej, tzn. w kierunku ruchu, bez możliwości zatrzymania ruchu w tym samym czasie, gdy pojazd zbliża się od strony zewnętrznej.

Przełącznik 7: On = Łagodny start

Początek ruchu zostanie wykonany łagodnie, podając coraz większe napięcie na silnik, formując nachylenie charakterystyki przebiegu napięcia trwające ok. 1 sek.; gwarantuje to rozpoczęcie manewru bez wstrząsów (funkcja nie zalecana przy siłownikach METRO).

Przełącznik 8: On = Łagodny stop

Gdy ruch kończy się, zostaje wykonane łagodne zatrzymanie, poprzez stopniowe obniżanie napięcia silników, o charakterystyce opadającej w czasie ok. 1 sek.; gwarantuje to wykonanie manewru zatrzymania bez wstrząsów.

Ze względu na oczywiste powody bezpieczeństwa Łagodny stop nie

jest wykonywany i zostaje zastąpiony przez zatrzymywanie normalne, gdy zadziałają STOP, FOTO, FOTO1 lub FOTO2 (na karcie PIŪ) lub jeden z wyłączników krańcowych.

Przełącznik 9: On = Domknięcie przed otwarciem

Gdy stosuje się siłowniki niesamohamowne, zatem brama nie zostaje trwale zamknięta dociśnięciem przez siłownik, staje się koniecznym zainstalowanie zamka elektrycznego (zobacz - instrukcje siłowników dla różnych zastosowań).

Może się zdarzyć, że zamek elektryczny będzie poddany naprężeniom wynikającym z naturalnej tendencji skrzydła do otwierania się, a siła ta może nie pozwolić na odblokowanie zamka. Przy włączonej funkcji domknięcia przed otwarciem, zanim rozpocznie się manewr otwierania, zostaje uruchomiony krótki ruch w stronę zamykania, który jednak nie daje żadnych efektów ruchu, ponieważ skrzydła bramy są już przy ogranicznikach mechanicznych zamknięcia. W ten jednak sposób, gdy zamek elektryczny zostanie uaktywniony, nie będzie on poddany żadnym naprężeniom i może się otwierać.

Przełącznik 10: On = Oświetlenie na lampie ostrzegawczej

W określonych przypadkach może być potrzebne oświetlenie strefy ruchu bramy a często wymaga się, aby oświetlenie wyłączyło się automatycznie zaraz po tym, jak brama zakończy manewr. Funkcja ta jest zwykle określana jako "Oświetlenie na lampie ostrzegawczej". Podłączając specjalne elementy oświetlające na to samo wyjście co lampa ostrzegawcza (o maksymalnej mocy całkowitej 100 W) i uaktywniając tę funkcję uzyska się podczas całego ruchu i przez następne 60 sek. na wyjściu stan aktywny, umożliwiający oświetlenie wymaganego obszaru.

Tylko dla wersji **A700F** jest drugi zespół przełączników typu dip-switch z następującymi funkcjami:

Przełącznik 11: On = Funkcja pozycjonowania (tylko z użyciem wyłączników krańcowych)

Wyłączniki krańcowe, oprócz funkcji zatrzymania ruchu mogą być wykorzystane jako wskaźniki punktu, w którym uruchamia się pozycjonowanie. Normalnie podczas używania funkcji pozycjonowania wyłączniki krańcowe ustawia się na 10-20° przed ogranicznikiem mechanicznym końca ruchu. W ten sposób, gdy podczas ruchu skrzydło osiągnie położenie krańcowe, na silnik podawana jest przez okres ok. 3 sek. mniejsza siła, ustawialna za pomocą trymera "Siła pozycjonowania" tak, aby skrzydło osiągnęło ogranicznik mechaniczny z możliwie najmniejszym przeciążeniem. Eliminuje to niepotrzebne naprężenia wprowadzane do układu siłownik-skrzydło bramowe.

Przełącznik 12: On = Lampa ostrzegawcza także podczas przerwy
Normalnie lampa ostrzegawcza jest uaktywniana tylko podczas ruchu otwierania lub zamykania; funkcja ta przewiduje pozostanie lampy ostrzegawczej w stanie aktywnym także podczas przerwy w celu zasygnalizowania stanu "zbliżającego się zamykania".

Przełącznik 13: On = Utrzymanie ciśnienia

W siłownikach hydraulicznych nacisk utrzymujący zamkniętą bramę jest wygenerowany poprzez układ hydrauliczny pozostający zawsze pod ciśnieniem. Z biegiem czasu oraz stopniem zużycia ulega zmniejszeniu jakość uszczelnienia układu hydraulicznego i może się zdarzyć, że po kilku godzinach wewnętrzne ciśnienie spada a w konsekwencji pojawia się ryzyko lekkiego otwarcia skrzydeł bramy.

Jeżeli włączy się funkcję utrzymywania ciśnienia, to po 4 godzinach i później co 4 godziny, gdy brama jest zamknięta, uaktywniany jest krótki manewr zamykania jedynie w tym celu, aby podnieść ciśnienie w układzie hydraulicznym.

UWAGA: Funkcje "Domknięcie przed otwarciem" oraz "Utrzymanie ciśnienia" mają sens i są wykonywane tylko wtedy, gdy brama jest zamknięta. Wewnętrzny układ logiczny uważa bramę za zamkniętą, gdy odpowiedni wyłącznik krańcowy FCC zadziałał lub - w przypadku nie stosowania wyłączników krańcowych - gdy poprzedni manewr zamykania zakończył się prawidłowo z powodu upłynięcia czasu pracy.

Przełącznik 14: On = Kontrolka SCA.. (otwartej bramy) z proporcjonalnym miganiem

Normalnie kontrolka SCA wskazuje stan bramy zgodnie z następującym opisem:

Wyłączona: Brama całkowicie zamknięta
Zapalona: Brama otwarta [także częściowo]
Miganie powolne: Brama w fazie otwierania
Miganie szybkie: Brama w fazie zamykania

Miganie kontrolki podczas ruchu może być zmieniane proporcjonalnie, od powolnego narastająco do szybkiego i odwrotnie, tak, aby dać możliwość określenia stanu otwierania lub zamykania.

Przełącznik 15: On = Uaktywnianie Fototestu

Pozwala uruchomić fazę testowania fotokomórek przed rozpoczęciem każdego manewru; w ten sposób eliminując wszelką możliwość nieprawidłowego działania zwiększa się bezpieczeństwo urządzenia. Aby wykorzystać funkcję Fototestu koniecznym jest, aby nadajniki fotokomórek były podłączone do specjalnego wyjścia (zobacz: Uwagi odnośnie połączeń).

Przełącznik 16: On = Foto i Foto1 także podczas otwierania

Normalnie zabezpieczenia FOTO i FOTO1 działają tylko podczas manewru zamykania; jeżeli przełącznik nr 16 zostanie uaktywniony, to zadziałanie urządzeń zabezpieczających spowoduje przerwanie ruchu także podczas otwierania, jeżeli centrala jest w trybie półautomatycznym lub automatycznym nastąpi na kontynuacja ruchu otwierania po zwolnieniu linii foto.

Przełącznik 17: On = Foto i Foto1 na początku manewru otwierania

Zwykle urządzenia bezpieczeństwa FOTO i FOTO1 nie są aktywne podczas manewru otwierania lecz tylko podczas manewru zamykania, gdyż ten ostatni jest bardziej niebezpieczny. W niektórych krajach są jednak przepisy, które nakazują kontrolę urządzeń bezpieczeństwa także podczas manewru otwierania, przynajmniej na jego początku. Jeżeli zachodzi konieczność przestrzegania tych norm lub chce się zwiększyć poziom bezpieczeństwa, można uaktywnić tę funkcję i wówczas zanim rozpocznie się ruch, centrala sprawdza zgodę zabezpieczeń FOTO i FOTO1 i dopiero potem może rozpocząć się ruch.

Przełącznik 18: On = Opuszczenie STOP w fazie otwierania

Cykl pracy krokowej normalnie obejmuje: OTWÓRZ-STOP-ZAMKNIJ-STOP; przy włączonej tej funkcji cykl pracy krokowej zmienia się na: OTWÓRZ-ZAMKNIJ-STOP-OTWÓRZ, natomiast wejście Otwórz traci możliwość wykonania fazy STOP.

Przełącznik 19: On = Opuszczenie STOP w fazie zamykania

Funkcja ta działa podobnie jak funkcja poprzednia, ale w odniesieniu do fazy zamykania; wówczas cykl pracy krokowej zmienia się na: OTWÓRZ-STOP-ZAMKNIJ-OTWÓRZ, natomiast wejście Zamknij traci możliwość wykonania fazy STOP; UWAGA: Ustawiając na "On" przełączniki typu dip-switch nr 18 i 19, cykl pracy krokowej zmienia się na: OTWÓRZ-ZAMKNIJ-OTWÓRZ-ZAMKNIJ, tracąc całkowicie możliwość wykonania fazy STOP.

Przełącznik 20: On = ZAMKNIJ zmienia się na OTWÓRZ DLA PIESZYCH

Może się zdarzyć, że nie potrzeba otwierać całkowicie bramę, np. gdy przechodzi przez nią pieszy; w takim przypadku staje się użyteczną funkcją OTWÓRZ DLA PIESZYCH, która umożliwi otwarcie tylko skrzydła połączonego z 2-gim silnikiem, pozostawiając drugie skrzydło zamknięte. Ten rodzaj otwarcia jest uaktywniany z wejścia ZAMKNIJ, które traci swoją początkową funkcję, aby zostać wejściem pracy krokowej, ale z otwarciem tylko jednego skrzydła bramy. Cykl otwarcia dla pieszych uaktywnia się tylko gdy brama jest zamknięta, natomiast gdy brama jest w ruchu lub otwarta impuls wejściowy nie daje żadnego efektu.



AKCESORIA: KARTA ROZSZERZENIA PIŮ

Centrala elektroniczna dysponuje wszystkimi głównymi funkcjami wymaganymi w normalnej automatyzacji; w wersji A700F została przewidziana możliwość dołączenia opcjonalnej karty rozszerzenia PIŮ, która zwiększa możliwości centrali.

Poniższa część odnosi się tylko do wersji **A700F**

Karta jest podłączona jest przez specjalne złącze na centrali, wówczas na zaciskach karty są dostępne:

- Następujące wejścia: Foto 2 = Urządzenie bezpieczeństwa z działaniem podczas manewru otwierania
Otwórz częściowo = Wykonuje manewr otwierania w zredukowanym czasie
 - Następujące wyjścia: Czerwony = Światło czerwone semafora } Alarmy
Zielony = Światło zielone semafora }
Zamek elektryczny = Sterowanie zamkiem elektrycznym (wobec tego, że centrala dysponuje już tym wyjściem, funkcja została zmodyfikowana jako "Przysawka", aby połączyć blokady magnetyczne używane alternatywnie do zamka elektrycznego).
Oświetlenie = Sterownie lampą z funkcją oświetlenia
- Nota: Le uscite possono comandare solo carichi di piccola potenza (lampade spia, relè ecc.)
- i następujące ustawienia: Czas częściowy = Czas częściowego otwierania
Czas oświetlenia = Czas dla oświetlenia

Kompletne charakterystyki oraz sposób użycia karty są przytoczone w odpowiedniej instrukcji.

6) Odbiór techniczny

Po zakończeniu połączeń silników i różnych przewidzianych urządzeń możliwe jest przejście do sprawdzenia wszystkich połączeń oraz odbiór techniczny urządzenia.

⚠ Jest to najważniejszy etap realizacji systemu automatyki ze względu na konieczność zagwarantowania maksymalnego bezpieczeństwa. Odbiór techniczny może być także wykorzystany jako okresowa weryfikacja urządzeń wchodzących w skład systemu automatyki.

Odbiór techniczny całego urządzenia powinien być wykonany przez doświadczony i wykwalifikowany personel, który odpowiada za przeprowadzenie wymaganych prób, zależnie od występującego ryzyka resztkowego a także za sprawdzenie zgodności z przepisami prawa, normatywnymi i regulaminami, a w szczególności z wszystkimi wymaganiami normy EN-12445, która określa metody prób przy sprawdzaniu systemów automatyki bramowej. Zaleca się działać w trybie ręcznym z wyłączonymi wszystkimi funkcjami (przełączniki funkcji na Off); tryb ręczny pozwala w każdej sytuacji uzyskać natychmiastowe zatrzymanie silnika poprzez zwolnienie przycisku sterującego. Należy także sprawdzić, czy wszystkie trymery regulacyjne są ustawione w położeniu minimalnym (przekręcone do końca w kierunku przeciwnym do ruchu wskazówek zegara), a jedynie trymer SIŁA (na **A6**) lub przełącznik SIŁA (na **A6F** lub **A700F**) mogą być ustawione na wartości maksymalne, natomiast trymer SIŁA POZYCJONOWANIA (na **A700F**) powinien być ustawiony w położeniu środkowym zakresu. Każdy pojedynczy składnik systemu automatyki, np. listwy krawędziowe, fotokomórki, zatrzymanie awaryjne, itd. wymaga specyficznego etapu odbioru technicznego; dla tych urządzeń należy wykonać procedury przytoczone w odpowiednich instrukcjach.

Sprawdzić, czy zostało dokładnie zachowane to wszystko, co jest przewidziane w instrukcji, a w szczególności w rozdziale 1 "Ostrzeżenia".

- A)** Wysprzęglić bramę i ustawić skrzydła w połowie zakresu manewru, a następnie zasprzęglić; w ten sposób brama może swobodnie przemieszczać się i w kierunku otwierania jak i w kierunku zamykania.
- B)** Podać zasilanie na centralę, sprawdzić czy pomiędzy zaciskami 1-2 i 1-3 jest napięcie 230 / 120 Vac, oraz czy na zaciskach 21-22 jest napięcie 24 Vac.

Poniższa część odnosi się tylko do wersji **A700F**

- C)** Sprawdzić, czy na zaciskach 14-15 jest napięcie 24 Vac zasilające nadajniki fotokomórek.

Jak tylko na centralę zostanie podane napięcie, kontrolki, które są umieszczone przy aktywnych wyjściach, powinny zaświecić się, a

ponadto po kilku chwilach dioda "OK" powinna zacząć migać ze stałym rytmem. Jeżeli ww. opisane zdarzenia nie nastąpią, należy natychmiast odłączyć zasilanie i sprawdzić z należytą uwagą połączenia.

- Zadaniem diody "OK", umieszczonej w części środkowej płyty, jest sygnalizowanie stanu całej logiki urządzenia: regularne migotanie co 1 sek. wskazuje, że mikroprocesor centrali jest w stanie aktywnym i oczekuje na polecenia. Gdy natomiast ten sam mikroprocesor rozpozna zmianę stanu na jednym z wejść (może to być wejście sterujące jak też przełącznik funkcji), wygeneruje podwójne szybkie mignięcie, także wtedy, gdy zmiana stanu wejść nie spowoduje bezpośrednich efektów. Migotanie bardzo szybkie przez 3 sekundy wskazuje, że na centralę właśnie podane zostało zasilanie i wykonuje ona sprawdzenie układów wewnętrznych; w końcu migotanie nieregularne i nie stałe wskazuje, że sprawdzenie nie dało poprawnego wyniku a zatem występuje jakieś uszkodzenie.
- D)** Teraz należy sprawdzić, czy diody odpowiadające wejściom z zestykami typu NC (normalnie zamknięte) są zapalone (wszystkie zabezpieczenia aktywne) i czy diody odpowiadające wejściom z zestykami typu NO (normalnie otwarte) są zgaszone (brak jakiegokolwiek sygnału sterującego); jeżeli tak nie jest, należy sprawdzić połączenia i sprawność poszczególnych urządzeń.
- E)** Sprawdzić prawidłowość działania wszystkich urządzeń bezpieczeństwa występujących w systemie (zatrzymanie awaryjne, fotokomórki, listwy krawędziowe, itp.); przy każdorazowym ich zadziałaniu odpowiednie diody STOP, FOTO lub FOTO1 powinny zgasnąć.
- Ta próba jest jedną z najważniejszych i powinna być wykonana z największą uwagą; od prawidłowego działania urządzeń bezpieczeństwa zależy całość bezpieczeństwa "aktywnego" maszyny-bramy. Skoro lampa ostrzegawcza jest najlepszym narzędziem sygnalizującym stan niebezpieczny a ograniczniki momentu stanowią istotną pomoc w celu ograniczenia szkód, jedynie prawidłowa instalacja urządzeń bezpieczeństwa umożliwi zablokowanie systemu automatyki zanim będzie on mógł spowodować jakiegokolwiek szkody.

Poniższa część dotyczy tylko wersji **A700F**

- F)** Jeżeli zostaną wykorzystane wejścia wyłączników krańcowych, należy sprawdzić dokładność połączeń. Przemieszczać kolejno skrzydła bramy i sprawdzać, czy po osiągnięciu pożądanego położenia skrzydła odpowiedni wyłącznik krańcowy działa, gasząc odpowiadającą mu diodę w centrali (lub zapalając ją, jeżeli zostały zamontowane wyłączniki krańcowe typu NO).

- Teraz należy sprawdzić, czy ruch odbywa się we właściwym kierunku, tzn. sprawdzić relację pomiędzy ruchem przewidzianym w

centrali a tym faktycznie wykonywanym przez skrzydła bramy. Ta próba jest zasadniczą, jeżeli kierunek ruchu zostanie pomyłony w niektórych przypadkach (np. w trybie półautomatycznym) brama mogłaby pozornie działać prawidłowo, a w rzeczywistości cykl OTWÓRZ byłby podobny do cyklu ZAMKNIJ z zasadniczą różnicą, gdyż urządzenia bezpieczeństwa byłyby ignorowane podczas manewru zamykania, który zwykle jest najbardziej niebezpieczny, i działałyby przy otwieraniu, powodując ponowne zamykanie na przeszkodzie z nieszczęśliwymi skutkami!

G) Aby sprawdzić, czy kierunek ruchu jest właściwy, wystarczy podać krótki impuls na wejście KROK PO KROKU; pierwszy manewr, jaki wykona centrala po podaniu zasilania powinien być zawsze OTWÓRZ, zatem wystarczające jest sprawdzenie, czy bram przesuwają się w kierunku otwierania; natomiast w przypadku, gdy ruch będzie odbywał się w kierunku niewłaściwym należy:

- 1 – wyłączyć zasilanie
- 2 – zamienić połączenia "OTWÓRZ" i "ZAMKNIJ" na silniku lub silnikach, które obracają się w kierunku przeciwnym.

Po wykonaniu tego należy ponownie sprawdzić, czy kierunek obrotu jest prawidłowy, powtarzając czynność punktu "G".

H) Po sprawdzeniu wszystkich połączeń i wykonaniu kontroli kierunku obrotów silników można przystąpić do sprawdzenia całościowego ruchu siłowników; zaleca się nadal pracę w trybie ręcznym z wyłączonymi wszystkimi funkcjami. Jeżeli jako sterowanie uży-

wa się sygnału KROK PO KROKU, pierwszy manewr (po włączeniu) powinien być manewrem otwierania. Działając na wejścia sterujące ruchem bramy aż do punktu otwarcia, jeśli wszystko przebiegło prawidłowo, można przejść do ruchu w kierunku zamykania i przemieścić bramę aż do odpowiedniego punktu zatrzymania.

Należy wykonać kilka manewrów otwórz-zamknij w celu oceny ewentualnych błędów w konstrukcji mechanicznej systemu automatyki i zaznaczyć występowanie szczególnych punktów zwiększonego tarcia.

I) Następnie należy przejść do próby zadziałania urządzeń bezpieczeństwa; FOTO i FOTO1 podczas manewru otwierania nie dają żadnego efektu, podczas zamykania natomiast powodują zatrzymanie ruchu. Jeżeli zainstalowana jest karta PIŪ, przeprowadzić także próbę działania wejścia FOTO2: podczas zamykania nie będzie żadnego efektu, podczas otwierania zadziałanie spowoduje zatrzymanie ruchu. Urządzenia połączone z wejściem STOP działają zarówno w trybie otwierania jak i zamykania, zawsze powodując zatrzymanie ruchu.

L) Jeżeli sytuacje niebezpieczne spowodowane ruchem skrzydeł bramy zostały zażegnane za przyczyną ograniczenia siły uderzenia, należy dokonać pomiaru siły w odniesieniu do normy EN12445. Jeżeli zostanie zastosowane sterowanie "Siła silnika" jako pomoc dla systemu redukcji siły uderzenia, należy sprawdzić i znaleźć nastawienia, jakie zapewniają najlepsze efekty.

6.1) Przekazanie do eksploatacji

Przekazanie do eksploatacji może nastąpić dopiero po wykonaniu, z wynikiem pozytywnym, wszystkich etapów odbioru technicznego centrali i pozostałych urządzeń.

Zabrania się częściowego lub "prowizorycznego" przekazania do eksploatacji.

1. Sporządź i zachowaj na minimum 10 lat Dokumentację Techniczną automatyki, która powinna zawierać: rysunek zestawieniowy automatyki, schemat połączeń elektrycznych, analizę ryzyka wraz z opisem wdrożonych środków zapobiegawczych, deklarację zgodności producenta wszystkich użytych urządzeń (dla **A6 – A6F – A700** należy użyć załączonej Deklaracji zgodności CE), kopię instrukcji oraz harmonogramu konserwacji automatyki.

2. Na bramie zamocuj tabliczkę zawierającą (przynajmniej) następujące informacje: typ automatyki, nazwa i adres instalatora (odpowiedzialnego za "przekazanie do eksploatacji") numer identyfikacyjny, rok produkcji i znak "CE".

3. Zamocuj w sposób trwały na bramie także etykietę lub tabliczkę opisującą operacje wysprzęglenia oraz manewru ręcznego.

4. Sporządź i przekaz właścicielowi urządzenia deklarację zgodności automatyki.

5. Sporządź i przekaz właścicielowi urządzenia książkę "Zalecenia i ostrzeżenia dotyczące eksploatacji automatyki".

6. Sporządź i przekaz właścicielowi urządzenia harmonogram konserwacji (zawierający wytyczne do konserwacji wszystkich urządzeń wchodzących w skład automatyki).

7. Przed przekazaniem automatyki do eksploatacji poinformuj właściciela w odpowiedni sposób i na piśmie (na przykład w książce "Zalecenia i ostrzeżenia dotyczące eksploatacji automatyki") o ryzyku resztkowym.

7) Konserwacja i utylizacja

▲ W tym rozdziale zamieszczono informacje dotyczące realizacji planu konserwacji oraz utylizacji central A6 – A6F – A700F.

7.1) Konserwacja

Aby utrzymać stały poziom bezpieczeństwa oraz zapewnić maksymalną trwałość systemu automatyki konieczna jest regularna konserwacja urządzenia.

Konserwacja powinna być wykonywana z zachowaniem przepisów bezpieczeństwa zamieszczonych w niniejszej instrukcji oraz zgodnie z przepisami przewidzianymi przez prawo i obowiązujące normy.

Dla urządzeń innych niż **A6 – A6F – A700F** należy postępować zgodnie z odpowiednimi planami konserwacji.e.

1. Konieczne jest przeprowadzanie konserwacji maksimum co 6 miesięcy lub po 10 000 manewrów (zależnie co nastąpi wcześniej).

2. Odłączyć wszelkie źródła zasilania elektrycznego.

3. Sprawdzić stan zniszczenia wszystkich materiałów, z których składa się system automatyki; szczególną uwagę zwrócić na zjawisko korozji i utleniania elementów konstrukcyjnych; wymienić te części, które nie spełniają odpowiednich wymagań.

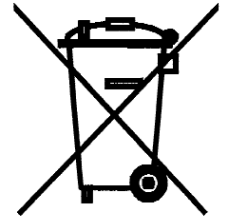
4. Ponownie podłączyć źródła zasilania elektrycznego i przeprowadzić wszystkie próby i sprawdzenie przewidziane w rozdziale 6 "Odbiór techniczny".

7.2) Utylizacja

Podobnie jak w przypadku montażu, również czynności związane z demontażem muszą być wykonane przez wykwalifikowany personel techniczny. Produkt ten składa się z różnego rodzaju materiałów, niektóre z nich mogą być powtórnie użyte, inne muszą zostać poddane utylizacji. Zasięgnij informacji odnośnie systemów recyklingu i utylizacji, przewidzianych zgodnie z lokalnymi przepisami obowiązującymi dla tej kategorii produktu.

▲ Niektóre elementy produktu mogą zawierać substancje szkodliwe lub niebezpieczne, które po wyrzuceniu, mogłyby zaszkodzić środowisku lub zdrowiu ludzkiemu.

Zgodnie ze wskazaniem symbolu na rys., zabrania się wyrzucania tego produktu do odpadów domowych. Należy przeprowadzić "segregację odpadów" na potrzeby utylizacji, według metod przewidzianych lokalnymi przepisami lub zwrócić produkt sprzedawcy podczas zakupu nowego, równorzędnego produktu.



Lokalne przepisy mogą przewidywać poważne sankcje w przypadku nielegalnej utylizacji produktu.

8) Akcesoria

Dla central **A6 – A6F – A700F** przewidziane są następujące akcesoria opcjonalne:

KARTA PIÙ

Centrala zawiera wszystkie funkcje, jakie są wykorzystywane przy normalnej instalacji, ale w trosce o zaspokojenie specjalnych wymagań została przewidziana opcjonalna karta "PIÙ", która umożliwia dodanie nowych funkcji, jak np. sygnalizacja semaforowa, oświetlenie, przysawka, Foto2, częściowe otwieranie 2 skrzydeł.

KARTA "RADIO"

W centrali przewidziano złącze NICE do wstawienia karty radiowej, która umożliwia działanie poprzez wejście KROK PO KROKU i sterowanie centralą w tym trybie na odległość za pomocą nadajnika.

Sprawdzić w katalogu produktów Nice S.p.a. kompletną i aktualną listę akcesoriów.

9) Dane techniczne

W celu poprawy własnych produktów Nice S.p.a. zastrzega sobie prawo do modyfikacji danych technicznych w każdej chwili i bez uprzedzenia z zachowaniem utrzymania funkcjonalności i przeznaczenia produktu.

Wszystkie przytoczone dane techniczne odnoszą się do temperatury otoczenia 20°C (±5°C).

Modello:	A6 -A6/V1	A6F -A6F/V1	A700F -A700F/V1
Zasilanie A6 – A6F – A700F	230 Vac ± 10%, 50 - 60 Hz		
Zasilanie A6/V1 – A6F/V1 - A700F/V1	120 Vac ± 10%, 50 - 60 Hz		
Maksymalna moc siłowników 230 Vac	300 W [1,3 A]		
Maksymalna moc siłowników / V1 120 Vac	300 W [2,5 A]		
Maksymalna moc lampy ostrzegawczej	100W		
Maksymalna liczba cykli na godzinę	nieograniczony		
Maksymalna liczba kolejnych cykli	nieograniczony		
Maksymalny prąd wyjścia 24 Vac	200 mA		
Maksymalny prąd na wyjściu fototest (24 Vac)	/	/	100 mA
Maksymalna moc kontrolki SCA (24Vac)	2 W		
Maksymalna moc zamka elektrycznego (12 Vac)	/	15 VA	15 VA
Czas pracy	od 2,5 do 40 sek. (od 30 do 80 sek. z TLM)		
Czas przerwy	od 5 do 80 sek.		
Czas opóźnienia otwierania TRA	0 lub od 2.5 do 12 sek.		
Czas opóźnienia zamykania TRC	0 lub od 2.5 do 12 sek.		
Regulacja siły	od 0 do 100 %	30%-45%-60%-80%-100%	
Temperatura pracy	-20 ÷ 50 °C		
Wymiary	280 x 220 x 110 mm		
Ciężar	1,7 Kg	2,7 Kg	2,7 Kg
Stopień bezpieczeństwa	IP 55 (nieuszkodzona skrynka)		

Zalecenia i ostrzeżenia skierowane do użytkownika A6 – A6F –A700F

Gratulujemy wyboru automatyki Nice! Firma Nice S.p.A. produkuje elementy do automatyzacji bram garażowych i wjazdowych, bram rolowanych, rolet i markiz przeciwsłonecznych, takie jak siłowniki, centrale sterujące, piloty, lampy ostrzegawcze, fotokomórki i inne akcesoria. Nice używa wyłącznie materiałów wysokiej jakości, a jej powołaniem jest poszukiwanie innowacyjnych rozwiązań, które mogłyby ułatwić eksploatację produkowanych urządzeń. Wyroby firmy Nice są niezwykle precyzyjnie dopracowane jeśli chodzi o zastosowane rozwiązania techniczne, estetyczne i ergonomiczne. Z szerokiej gamy produktów Nice Państwa instalator z pewnością wybierze produkt, który najlepiej będzie odpowiadał Państwa potrzebom. Wykonawcą zakupionej przez Państwa automatyki nie jest jednak firma Nice. Instalacja jest efektem pracy Państwa instalatora - jego analiz, badań, doboru materiałów i wykonania. Każda automatyka jest wyjątkowa i tylko Państwa instalator dysponujący doświadczeniem oraz profesjonalnym przygotowaniem, będzie mógł ją wykonać według Państwa potrzeb bezpiecznie, szybko i w poszanowaniu obowiązujących przepisów prawnych. Automatyka stanowi wygodne i bezpieczne rozwiązanie, a pamiętając o kilku prostych zabiegach konserwacyjnych będzie można cieszyć się nią przez lata.

Nawet wówczas gdy Państwa automatyka spełnia poziom bezpieczeństwa stawiany przez normy, nie wyklucza to możliwości zaistnienia "ryzyka resztkowego", tzn. ryzyka powstania zagrożeń wynikających z nieodpowiedzialnego lub błędnego użytkownika produktu. W związku z tym pragniemy przekazać Państwu kilka użytecznych wskazówek jak postępować by uniknąć wszelkich niedogodności:

- **Przed pierwszym użyciem automatyki**, poproście instalatora o wyjaśnienie możliwych przyczyn zaistnienia ewentualnego ryzyka resztkowego i przeczytajcie **zalecenia i ostrzeżenia dla użytkownika**, które otrzymaliście od instalatora. Instrukcję należy zachować na przyszłość i przekazać ją ewentualnemu następnemu właścicielowi automatyki.
- **Państwa automatyka to urządzenie, które dokładnie wykonuje wydane przez Państwa polecenia.** Nieodpowiedzialne lub niewłaściwe użycie może spowodować powstanie niebezpiecznej sytuacji. Nie należy wydawać polecenia manewru, jeśli w pobliżu bramy znajdują się osoby, zwierzęta lub przedmioty.
- **Dzieci:** automatyka gwarantuje wysoki poziom bezpieczeństwa, a jej systemy monitorujące uniemożliwiają wykonanie ruchu w obecność osób lub rzeczy i zapewniają zawsze uruchomienie przewidywalne i bezpieczne. Mimo to lepiej zabronić dzieciom bawienia się w pobliżu automatyki oraz nie zostawiać nigdy pilotów bez nadzoru, aby uniknąć nieumyślnej aktywacji urządzenia: **to nie zabawka!**
- **Fotokomórki nie są urządzeniem zabezpieczającym**, ale tylko urządzeniem pomocniczym bezpieczeństwa. Są skonstruowane w technologii najwyższej niezawodności, ale mogą w sytuacjach ekstremalnych ulegać nieprawidłowościom lub po prostu psuć się a w niektórych przypadkach uszkodzenie może nie być od razu widoczne.

Z tych powodów oraz dla stosowania dobrej reguły:

- Przejście jest zalecane tylko w przypadku, gdy brama jest całkowicie otwarta a skrzydła nieruchome.
- **JEST BEZWZGLĘDNIEM ZABRONIONE** przechodzenie, gdy brama jest w trakcie zamykania!

Okresowo należy kontrolować prawidłowość działania fotokomórek oraz wykonywać przewidziane kontrole serwisowe przynajmniej co 6 miesięcy.

- **Anomalie:** W przypadku odnotowania jakichkolwiek anomalii w funkcjonowaniu automatyki należy od razu odłączyć zasilanie i wysprzęglić ręcznie siłownik. Nie próbujcie sami naprawiać urządze-

nia, lecz zwróćcie się o pomoc do Państwa instalatora. W międzyczasie można dalej użytkować bramę, otwierając ją ręcznie po wcześniejszym wysprzęgleniu siłownika według procedury opisanej w instrukcji konkretnego siłownika.

- **Konserwacja:** Automatyka, jak każda maszyna, wymaga okresowej konserwacji, co gwarantuje jej bezpieczne i długoletnie funkcjonowanie. Warto uzgodnić z Państwa instalatorem harmonogram przeglądów. Firma Nice zaleca przeglądy co sześć miesięcy w sytuacji normalnej domowej eksploatacji, jednak ich rzeczywista częstotliwość powinna być ustalona w zależności od intensywności użytkowania. Wszystkie prace kontrolne, konserwacyjne i naprawcze muszą być wykonane wyłącznie przez wykwalifikowany personel.
- Jeżeli nawet uważacie, że wiecie, jak to zrobić, nie modyfikujcie instalacji oraz parametrów programowania i regulacji systemu automatyki: odpowiedzialność za to ponosi Państwa instalator.
- Odbiór techniczny, okresowe konserwacje i ewentualne naprawy powinny być udokumentowane przez osobę wykonującą a dokumenty zachowane przez właściciela urządzenia.

Jedynie czynności, które możecie i powinniście okresowo wykonywać, to czyszczenie szyb fotokomórek i usuwanie ewentualnych liści czy kamieni, które mogłyby przeszkodzić w ruchu bramy. Przed przystąpieniem do tych prac pamiętajcie o **wysprzęgleniu siłownika** (według instrukcji danego siłownika), co pozwoli uniknąć niebezpiecznego uruchomienia bramy. Do czyszczenia używajcie jedynie ściereczki lekko zwilżonej wodą.

- **Utylizacja:** Po zakończeniu okresu eksploatacji automatyki upewnijcie się, że demontaż zostanie przeprowadzony przez wykwalifikowany personel, a materiały zostaną poddane recyklingowi lub utylizacji zgodnie z obowiązującymi lokalnymi przepisami.

• **Uszkodzenie lub brak zasilania:** kiedy czekacie na instalatora lub na przywrócenie zasilania, jeżeli urządzenie nie jest wyposażone w akumulator buforowy, możecie obsługiwać bramę normalnie, jak zwykłą nieautomatyzowaną bramę. W tym celu należy wysprzęglić siłownik (jedynie działanie zalecane użytkownikowi). Jest to operacja opracowana przez firmę Nice ze specjalną troską, aby zagwarantować Państwu jak najłatwiejsze użycie, które nie wymaga specjalnych narzędzi, ani dużego wysiłku.

• **Wymiana baterii pilota:** jeżeli Państwa pilot po jakimś czasie użytkowania wydaje się działać słabiej lub nie działa w ogóle, to przyczyną może po prostu być wyczerpana bateria (zależnie od intensywności używania baterie mogą wytrzymać od kilku miesięcy do ponad roku). Można to zauważyć, gdy kontrolka potwierdzająca wysyłanie sygnału nie pali się, jest przygaszona lub zapala się tylko na krótką chwilę. Zanim zwróćcie się do instalatora spróbujcie wymienić baterię na tę z innego pilota, który działa.: jeżeli to będzie przyczyną nieprawidłowości, wystarczy wymienić baterię na inną, nową - tego samego typu.

Baterie zawierają substancje zanieczyszczające: nie wyrzucajcie ich do zwykłych śmieci, ale postępujcie zgodnie z zasadami utylizacji tego typu odpadów, określonymi przez lokalne przepisy.

Jesteście zadowoleni? Gdybyście chcieli w przyszłości dokupić kolejne urządzenie automatyki, zwróćcie się do tego samego instalatora i do Nice, a zapewnicie sobie nie tylko profesjonalną poradę i najbardziej zaawansowany produkt na rynku, ale też najlepsze funkcjonowanie i największą kompatybilność z istniejącą instalacją. Dziękujemy za przeczytanie naszych zaleceń i życzymy dużo satysfakcji z nowego urządzenia. Państwa instalator z przyjemnością udzieli dodatkowych wyjaśnień czy porad dotyczących obecnej lub przyszłej eksploatacji automatyki.

Mindy

A6 - A6F
A700F

Inhoudsopgave:

Pag.

1	Aanbevelingen	87	5	Programmering	93
2	Beschrijving van het product en gebruiksbestemming	88	5.1	Programmeerbare functies	94
2.1	Gebruikslimieten	89	5.2	Beschrijving van de functies	94
2.2	Installatievoorbeeld	89	6	Eindtest	96
2.3	Lijst van kabels	89	6.1	Inbedrijfstelling	97
3	Installatie	90	7	Onderhoud en afvalverwerking	97
3.1	Controles vooraf	90	7.1	Onderhoud	97
3.2	Bevestiging	90	7.2	Afvalverwerking	98
3.3	Schema van de aansluitingen	90	8	Accessoires	98
3.4	Beschrijving van de aansluitingen	91	9	Technische gegevens	98
3.5	Opmerkingen over de aansluitingen	92			
4	Afstellingen	92			
4.1	Werkingsmodi	93			

1) Aanbevelingen

Deze handleiding bevat belangrijke informatie voor de veiligheid van de installatie. Alvorens u met de installatie gaat beginnen, dient u alle in deze handleiding vervatte aanwijzingen te lezen. Bewaar deze handleiding ook voor later gebruik.

Met het oog op gevaarlijke situaties die zich tijdens de installatie en het gebruik kunnen voordoen, moeten ook tijdens de installatie de wetten, voorschriften en regels volledig in acht genomen worden. In dit hoofdstuk zullen algemene aanbevelingen gegeven worden; andere belangrijke aanbevelingen vindt u in de hoofdstukken "3.1 Controles vooraf"; "6 Eindtest en inbedrijfstelling".

⚠ Volgens de meest recente Europese wetgeving valt het aanleggen van een automatische deur of poort onder wat voorzien is in de Richtlijn 98/37/EG (Machinerichtlijn) en met name onder de normen: EN 13241-1 (geharmoniseerde norm); EN 12445; EN 12453 en EN 12635, waardoor het mogelijk is een verklaring van overeenstemming met de machinerichtlijnen af te geven.

Verdere inlichtingen, richtlijnen ten aanzien van het vaststellen van risico's en het samenstellen van het technische dossier zijn beschikbaar op: "www.niceforyou.com". Deze handleiding is uitsluitend bestemd voor technisch personeel dat voor de installatie bevoegd is. Behalve de specifieke los te halen bijlage welke de installateur dient te verzorgen, namelijk "Aanwijzingen en aanbevelingen bestemd voor de gebruiker" kan andere informatie die in dit dossier is vervat, niet als interessant voor de eindgebruiker worden beschouwd!

- Ieder ander gebruik dat niet voorzien is in deze aanwijzingen, is verboden; oneigenlijk gebruik kan gevaar opleveren of letsel en schade aan mensen en zaken veroorzaken.
- Voordat u met de installatie begint, dient u een analyse van de risico's te maken waarvan de lijst met essentiële veiligheidseisen zoals die in Bijlage I van de Machinerichtlijn zijn voorzien, deel uitmaakt; hierin geeft u de toegepaste oplossingen aan. Wij maken u erop attent dat de risicoanalyse één van de documenten is, die deel uitmaken van het "technisch dossier" van de automatisering.
- Controleer of er verdere inrichtingen nodig zijn om de automatisering op basis van de specifieke toepassingssituatie en aanwezige gevaren te completeren; u dient daarbij bijvoorbeeld risico's op het gebied van botsen, beknelling, scharen, etc. en andere gevaren in het algemeen, in acht te nemen.
- Breng geen wijzigingen aan onderdelen aan, indien dit niet in deze handleiding is voorzien. Dergelijke handelingen kunnen alleen maar storingen veroorzaken; NICE wijst elke aansprakelijkheid voor schade tengevolge van gewijzigde artikelen van de hand.
- Zorg ervoor dat er tijdens het installeren niets, ook geen vloeistof, in de besturingseenheid of andere open inrichting kan komen; neem eventueel contact op het technisch servicecentrum van NICE; het gebruik in deze situaties kan een gevaarlijke situatie doen ontstaan.
- Het automatische mag niet gebruikt worden, voordat inbedrijfstelling heeft plaatsgevonden zoals dat in hoofdstuk: "6 Eindtest en inbedrijfstelling" is aangegeven.
- De afvalverwerking van het verpakkingsmateriaal moet geheel en al volgens de plaatselijk geldende regels plaatsvinden.
- Indien er zich een storing voordoet die u niet met behulp van de in deze handleiding vervatte informatie kunt oplossen, gelieve u contact op te nemen met de technische servicedienst van NICE.
- Wanneer er een automatische schakelaar of zekering in werking is getreden, dient u de storing op te zoeken en die te verhelpen alvorens die terug te stellen.
- Voordat u de interne klemmetjes onder de dekplaat aanraakt, dient u alle circuits van stroomtoevoer los te koppelen; indien dit niet te zien is, dient u een bord aan te brengen met de tekst: "LET OP ONDERHOUDSWERKZAAMHEDEN IN UITVOERING".

Bijzondere aanbevelingen ten aanzien van de gebruiksgeschiktheid van dit product met betrekking tot de "Machinerichtlijn" 98/37/EG (ex 89/392/ EEG):

- Dit product wordt op de markt gebracht als een "machineonderdeel" en is er dus voor gemaakt om in een machine ingebouwd te worden of met andere machines geassembleerd te worden ten einde "een machine" op grond van de Richtlijn 98/37/ EG te vormen, en dat alleen in combinatie met andere onderdelen op de manier zoals dat in deze handleiding beschreven is. Zoals dat voorzien is in de Richtlijn 98/37/ EG wordt ervoor gewaarschuwd dat het niet geoorloofd is dit product in bedrijf te stellen zolang de fabrikant van de machine waarin dit product wordt opgenomen, deze niet heeft geïdentificeerd en conform de Richtlijn 98/37/ EG verklaard.

Bijzondere aanbevelingen ten aanzien van de gebruiksgeschiktheid van dit product met betrekking tot de Richtlijn "Laagspanning" 73/23/ EEG en de daaropvolgende wijziging 93/68/ EEG:

- Dit product voldoet aan de eisen van de Richtlijn "Laagspanning", indien het gebruikt wordt voor de toepassing en in de configuratie zoals dat in deze handleiding met aanwijzingen voorzien is en in combinatie met de artikelen uit de productencatalogus van Nice S.p.a. Het zou kunnen zijn dat er niet aan deze eisen voldaan wordt, als het product gebruikt wordt in een configuratie of met andere producten die niet voorzien zijn; het is verboden het product in deze situaties te gebruiken zolang degene die de installatie verricht niet heeft gecontroleerd of het aan de in de Richtlijn gestelde eisen voldoet.

Bijzondere aanbevelingen ten aanzien van de gebruiksgeschiktheid van dit product met betrekking tot de Richtlijn "Elektromagnetische Compatibiliteit" 89/336/ EEG en daaropvolgende wijzigingen 92/31/ EEG en 93/68/ EEG:

- Dit product voldoet aan de eisen van de Richtlijn "Laagspanning", indien het gebruikt wordt voor de toepassing en in de configuratie zoals dat in deze handleiding met aanwijzingen voorzien is en in combinatie met de artikelen uit de productencatalogus van Nice S.p.a. Het zou kunnen zijn dat er niet aan deze eisen voldaan wordt, als het product gebruikt wordt in een configuratie of met andere producten die niet voorzien zijn; het is verboden het product in deze situaties te gebruiken zolang degene die de installatie verricht niet heeft gecontroleerd of het aan de in de Richtlijn gestelde eisen voldoet.

2) Beschrijving van het product en gebruiksbestemming

De elektronische besturingseenheid kan worden gebruikt om automatische poorten en deuren te laten bewegen en kan worden aangesloten op elektromechanische aandrijvingen met éénfase-asynchroonmotoren.

Deze handleiding heeft betrekking op meerdere uitvoeringen van één en dezelfde besturingseenheid; de diverse uitvoeringen verschillen van elkaar in de mate waarin de programmeerbare functies en de beschikbare ingangen compleet zijn; bovendien hebben ze een verschillende methode om de kracht van de aandrijvingen aan te sturen:

A6: Basisuitvoering, elektronische afstelling van de kracht door in te grijpen op de fase

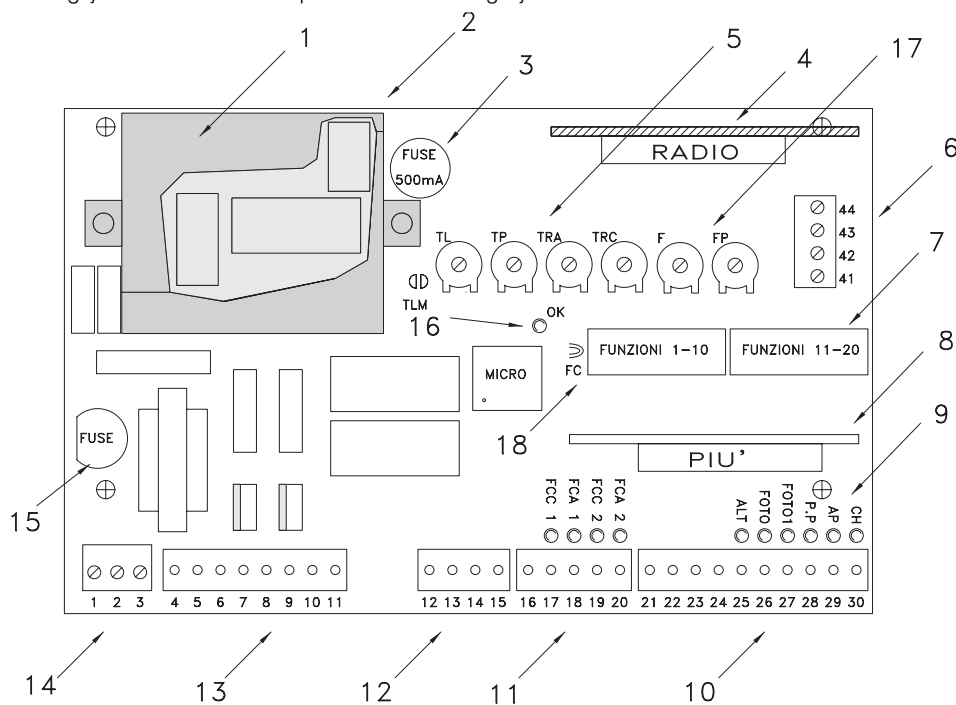
A6F: Basisuitvoering, elektromechanische afstelling van de kracht met behulp van een afstelbare autotransformator

A700F: Complete uitvoering, elektromechanische afstelling van de kracht met behulp van een afstelbare autotransformator

Met de besturingseenheid is het mogelijk de automatisering in de modus "handbediening", "semi-automatisch" of "automatisch" te laten werken; tijdens de manoeuvre wordt op toestemming van de veiligheidsinrichtingen (ingangen STOP, FOTO, FOTO1) gecontroleerd; in de uitvoering **A700F** worden de grenzen van de manoeuvre via eindschakelaars gecontroleerd, terwijl de manoeuvre in de uitvoering **A6** tijdsgebonden is. Ze beschikt over logische functies zoals "Geheugen van de manoeuvre", "Terugloop onmiddellijk na Foto" en "Sluit altijd" alsook speciale functies zoals "Soft start", "Soft stop"

In de uitvoering **A700F**, zijn er door de uitbreidingskaart model "PIU" te gebruiken, nog meer functies via andere ingangen en andere uitgangen beschikbaar. Alle besturingseenheden kunnen gebruikt worden met een radio-ontvanger uit het uitgebreide door Nice vervaardigde assortiment radio-ontvangers. Bij het ontwerpen zijn de meest moderne technieken toegepast om zoveel mogelijk storingen te voorkomen en een zo groot mogelijke flexibiliteit in het gebruik en zo groot mogelijke keuze aan programmeerbare functies te bieden.

Voordat u met het installeren van de besturingseenheid gaat beginnen en de aansluitingen gaat verrichten is het goed een beknopte beschrijving te geven van de belangrijkste elementen die op de kaart aanwezig zijn.



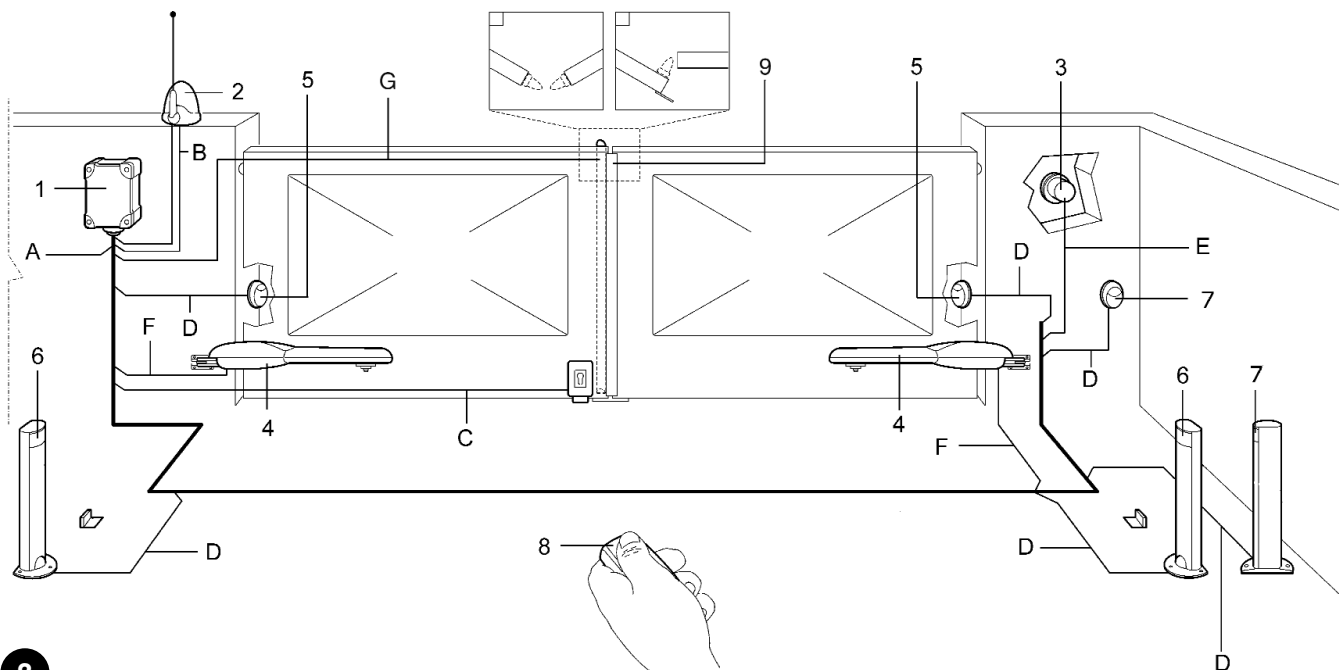
- | | |
|--|--|
| <p>1: Transformator stroomvoorziening (alleen A6)</p> <p>2: Insteekcontacten voor externe autotransformator (alleen A6F of A700F)</p> <p>3: Snelzekering 500 mA op stroomtoevoer 24 Vac</p> <p>4: Insteekcontact voor kaart RADIO</p> <p>5: Trimmer voor het afstellen van de tijden</p> <p>6: Klemmenstrip Antenne en uitgang 2de kanaal RADIO</p> <p>7: Dip-schakelaars voor het selecteren van de functies</p> <p>8: Insteekcontact voor kaart PIU' (alleen A700F)</p> <p>9: Led voor signalering van de status van de ingangen</p> <p>10: Klemmenstrip ingangen veiligheidsinrichtingen en bedieningsorganen</p> | <p>11: Klemmenstrip ingangen eindschakelaar (alleen A700F)</p> <p>12: Klemmenstrip uitgangen elektrisch slot (alleen A6F en A700F) en Fototest (alleen A700F)</p> <p>13: Klemmenstrip uitgangen knipperlicht en motoren</p> <p>14: Klemmenstrip stroomvoorziening</p> <p>15: Snelzekering (5A 230Vac) of (6.3A 120Vac)</p> <p>16: Led OK</p> <p>17: Trimmer voor het afstellen van de kracht</p> <p>18: Jumper FC voor normaal open eindschakelaar</p> |
|--|--|

De led OK (**16**) heeft tot taak aan te geven dat de interne logica correct werkt en moet knipperen met een ritme van een seconde; de led geeft daarmee aan dat de interne microprocessor actief is en instructies afwacht. Wanneer er zich een verandering van de status op de ingangen (**10 - 11**) of van de dipschakelaars van de functies (**7**) voordoet, wordt er een dubbele snelle knippering afgegeven, ook wanneer deze wijziging geen enkel rechtstreeks gevolg heeft. Wanneer de besturingseenheid onder spanning staat, gaan de controlelampjes (**9**) op de ingangen branden als die speciale ingang actief is en er dus een instructiespanning op 24 Vac is. Normaal branden de leds op de ingangen van de veiligheidsinrichtingen STOP, FOTO en FOTO1 en die op de eindschakelaars altijd, terwijl die op de instructie-ingangen STAP-VOORSTAP, OPEN en SLUIT normaal gesproken uit zijn.

2.1) Gebruikslimieten

De gegevens met betrekking tot de prestaties van de producties kunt u in hoofdstuk "9 Technische gegevens" vinden en dat zijn de enige waarden waarmee het mogelijk is correct te beoordelen of het product voor een bepaalde toepassing geschikt is.

2.2) Installatievoorbeeld



2

- | | |
|--|---------------------------|
| 1. Besturingseenheid A6 / A6F / A700F | 6. Stel fotocellen FOTO 1 |
| 2. Knipperlicht met ingebouwde antenne | 7. Stel fotocellen FOTO 2 |
| 3. Sleutelschakelaar | 8. Radiozender |
| 4. Reductiemotoren | 9. Contactlijst |
| 5. Stel fotocellen FOTO | |

N.B.: Dit schema laat slechts één toepassing van de besturingseenheid zien en dient alleen als voorbeeld. Alleen een uitgebreide risicoanalyse van de "Machine" poort en een juiste beoordeling van de verlangens van de eindgebruiker kunnen vaststellen hoeveel en welke elementen er geïnstalleerd moeten worden.

2.3) Lijst kabels

Op het installatievoorbeeld op afbeelding 2 worden ook de kabels aangegeven die noodzakelijk zijn voor het aansluiten van de verschillende inrichtingen; in tabel 1 worden de kenmerken van de kabels aangegeven.

⚠ De gebruikte kabels moeten geschikt zijn voor het type installatie; zo bevelen we bijvoorbeeld een kabel van het type H03VV-F aan, wanneer die binnenshuis gebruikt wordt of van het type H07RN-F wanneer ze buitenshuis gebruikt wordt.

Tabella 1: Lijst kabels

Aansluiting	Type kabel	Maximaal toegestane lengte
A: Leiding elektrische stroomvoorziening	1 kabel 3x1,5mm ²	30m (opmerking 1)
B: Knipperlicht met antenne	1 kabel 2x0,5mm ²	20m
	1 afgeschermd kabel type RG58	20m (aanbevolen lengte minder dan 5m)
C: Elektrisch slot	1 kabel 2x1mm ²	20m
D: Fotocellen	1 kabel 2x0,25mm ² (Tx)	30m
	1 kabel 4x0,25mm ² (Rx)	30m
E: Sleutelschakelaar	1 kabel 4x0,25mm ²	30m
F: Aansluiting motoren	1 kabel 4x1,5mm ²	10m
G: Aansluiting contactlijst	1 kabel 2x0,25mm ²	30m

Opmerking 1: als de voedingskabel een lengte van meer dan 30 m heeft, is er een kabel met een grotere doorsnede nodig, bijvoorbeeld 3x2,5mm² en dient er aarding in de nabijheid van de automatisering plaats te vinden.

3) Installatie

⚠ De installatie dient door gekwalificeerd personeel uitgevoerd te worden waarbij de wetten, voorschriften en regels en wat in deze aanwijzingen staat, in acht dienen te worden genomen.

3.1) Controles vooraf

Voordat u met de installatie begint, dient u onderstaande controles uit te voeren:

- Vergewis u ervan dat al het te gebruiken materiaal in een optimale staat is en geschikt is voor gebruik alsook conform de voorschriften is.
- Controleer of de structuur van de poort ervoor geschikt is geautomatiseerd te worden.
- Controleer of de punten van bevestiging van de diverse inrichtingen zo gekozen zijn dat er niet tegen aan gestoten kan worden en of de bevestigingsvlakken stevig genoeg zijn..
- Breng alleen in de onderkant van de besturingseenheid speciale kabelklemmen of doorvoerbuizen aan; om geen enkele reden mogen er in de zijwanden of bovenwand boringen gemaakt worden. De kabels mogen de besturingseenheid alleen van beneden af binnenkomen!
- Zorg ervoor dat er geen enkel deel van het automatisme in water of een andere vloeistof terecht kan komen.
- Houd A6 – A6F – A700F uit de buurt van relevante warmtebronnen en open vuur. Breng ze ook niet in ruimten waar ontploffingsgevaar bestaat of waar de omgeving bijzonder zuur of zout is.

Anders zouden A6 – A6F – A700F schade kunnen oplopen of zouden er storingen of gevaarlijke situaties kunnen ontstaan.

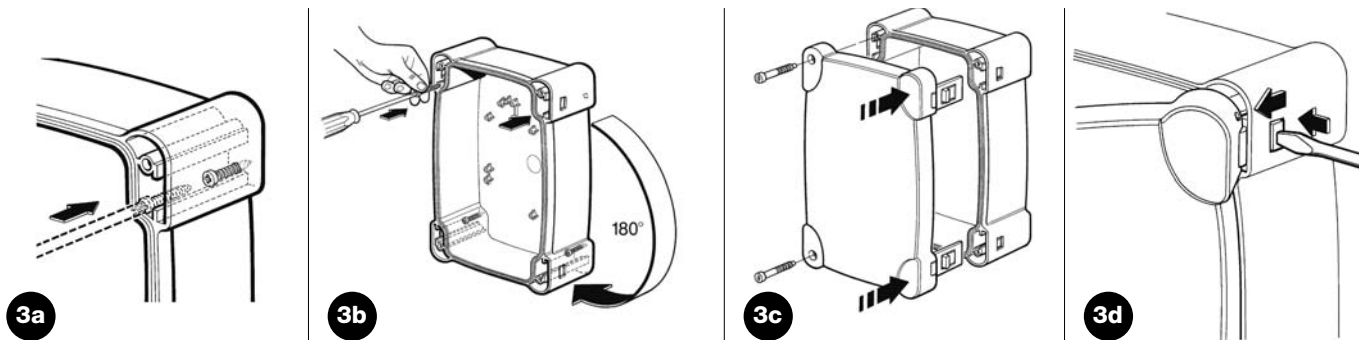
- Indien er in de vleugel een kleinere toegangsdeur is of een deur in het manoeuvregebied van de deur, dient u zich ervan te vergewissen dat deze de normale loop niet belemmert, en indien dit wel het geval is, voor een adequate blokkering te zorgen.
- Sluit de besturingseenheid aan op een toevoerleiding voorzien van aarding.
- De leiding van de elektrische stroomvoorziening dient door een adequate thermomagnetische en differentiaalschakelaar beveiligd te zijn
- Op de toevoerleiding van het elektriciteitsnet dient er een scheidingschakelaar te worden aangebracht (met overspanningscategorie III, d.w.z. een afstand van tenminste 3,5 mm tussen de contacten) of een gelijkwaardig systeem, bijvoorbeeld een contactdoos met bijbehorende stekker. Als de scheidingschakelaar niet in de buurt van de automatisering is, moet er een blokkeringssysteem voorzien worden, zodat het onmogelijk is per ongeluk of onbevoegd de aansluiting tot stand te brengen.

3.2) Bevestiging

Steek de twee schroeven in de speciale boringen bovenaan en laat ze in de geleider glijden, zoals u dat kunt zien op afb. 3A waarbij u ze gedeeltelijk aandraait. Draai de besturingseenheid 180° om en doe hetzelfde met de twee andere schroeven. Bevestig de besturingseenheid aan de wand.

Breng de dekplaat op de gewenste zijde aan (met opening rechts of links), druk krachtig in de richting van de pijlen.

Druk, om de dekplaat te verwijderen, met een schroevendraaier op het punt waar hij vastzit, en duw daarbij tegelijkertijd naar boven.



3.3) Schema voor de aansluitingen

Nadat u dan de besturingseenheid, de aandrijvingen, de daarbijbehorende bedieningselementen (sleutelschakelaar of toetsenpanelen) en veiligheidselementen (noodstop, fotocellen, contactlijsten en knipperlicht) hebt geïnstalleerd, kunt u overgaan tot het verrichten van de elektrische aansluitingen volgens onderstaande aanwijzingen.

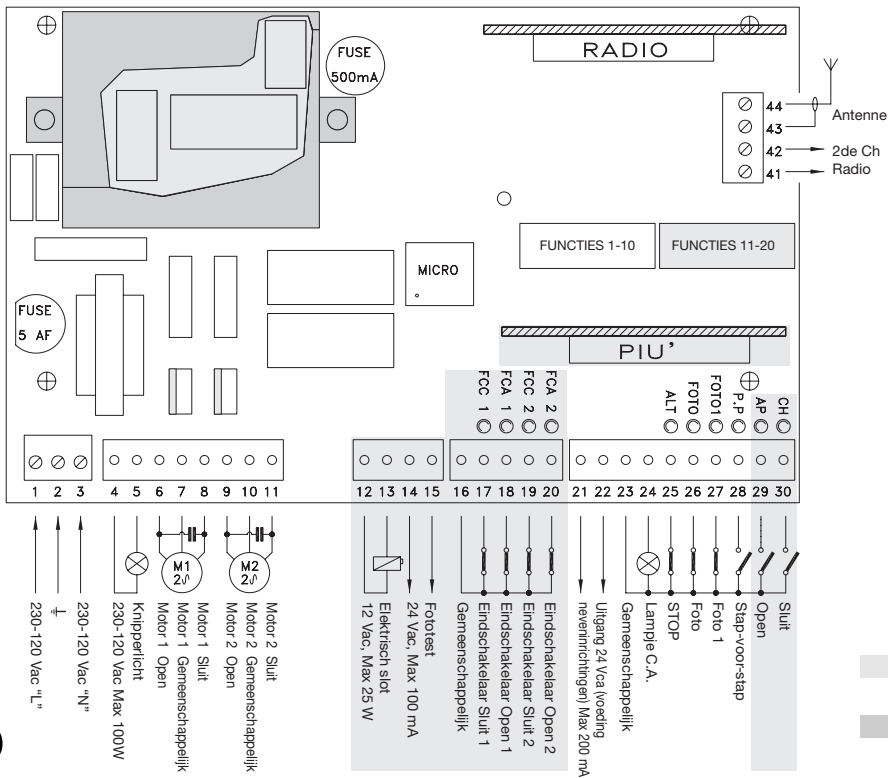
⚠ Om bij aansluitingswerkzaamheden van componenten zowel op laagspanning (230 - 120 Vac) als op zeer lage spanning (24 V) of bij het aanbrengen van de verschillende kaarten, de veiligheid van de technicus te garanderen en schade aan de verschillende componenten te voorkomen, geldt het volgende:

De besturingseenheid mag absoluut niet onder spanning staan.

Wij herinneren u er bovendien aan dat de ingangen van de contacten van het type Normaal gesloten (NC), indien niet gebruikt, via een brug verbonden dienen te worden; als er voor dezelfde ingang meerdere contacten zijn, dan worden die onderling SERIEEL geschakeld, terwijl de ingangen van de contacten van het type Normaal open (NO), indien niet gebruikt, onderling PARALLEL geschakeld dienen te worden. Het is absoluut noodzakelijk dat het mechanische contacten zijn en contacten zonder enige potentiaal; er zijn geen aansluitingen toegestaan zoals die welke als "PNP", "NPN", "Open Collector" etc. etc gedefinieerd worden.

Voer de nodige aansluitingen uit volgens het schema van afb. 4 en de daaropvolgende beschrijving van de aansluitingen.

⚠ Wij herinneren u er aan dat er precieze regelgeving is die nauwgezet opgevolgd dient te worden zowel voor wat betreft de veiligheid van elektrische installaties als voor wat betreft de automatische poorten!



- Het gemarkeerde deel is alleen op de uitvoering **A700F** aanwezig
- Het gemarkeerde deel is alleen op de uitvoeringen **A6F** en **A700F** aanwezig

4

3.4) Beschrijving van de aansluitingen

We geven hieronder een beknopte beschrijving van mogelijke externe aansluitingen van de besturingseenheid:

- 1...3** : 230 - 120 Vac
- 4-5** : Knipperlicht = Uitgang voor aansluiting op het knipperlicht 230 - 120 Vac, maximumvermogen van de lamp 100 W
- 6...8** : Motor 1 = Uitgang voor aansluiting op 1ste motor 230 - 120 Vac
- 9...11** : Motor 2 = Uitgang voor aansluiting op 2de motor 230 - 120 Vac

N.B.: De motoren 1 en 2 verschillen alleen van elkaar voor wat betreft de vertraging bij het starten, de 1ste motor is gekoppeld aan de tijdsduur Vertraging Opening "TRA", terwijl de 2de motor gekoppeld is aan de tijdsduur Vertraging Sluiting "TRC". Als er geen vertraging noodzakelijk is, bestaat er tussen de twee motoren geen enkel verschil.

Onderstaande klemmetjes zijn alleen aanwezig op de uitvoeringen **A6F** en **A700F**

- 12-13** : Elektrisch slot = Uitgang 12 Vac voor activering van het elektrisch slot, maximumvermogen 25 W

Onderstaande klemmetjes zijn alleen aanwezig op de uitvoering **A700F**

- 14-15** : Fototest = Uitgang 24 Vac voor stroomtoevoer zenders van de fotocellen, maximaal 100 mA
- 16** : Gemeenschappelijk = Gemeenschappelijk voor de ingangen eindschakelaar (gelijk aan het andere gemeenschappelijke klemmetje 23)
- 17** : Eindschakelaar C1 = Ingang eindschakelaar Sluit van motor 1
- 18** : Eindschakelaar A1 = Ingang eindschakelaar Open van motor 1
- 19** : Eindschakelaar C2 = Ingang eindschakelaar Sluit van motor 2
- 20** : Eindschakelaar A2 = Ingang eindschakelaar Open van motor 2
- 21-22** : 24 Vca = Uitgang 24 Vca voor voeding neveninrichtingen (Foto, Radio etc) maximaal 200 mA
- 23** : Gemeenschappelijk = Gemeenschappelijk voor alle ingangen (als Gemeenschappelijk is bruikbaar ook het klemmetje 22)
- 24** : Lampje C.A. = Uitgang voor controlelampje poort open 24 Vca, maximumvermogen van het lampje 2 W
- 25** : STOP = Ingang met functie van STOP (Noodstop, blokkering of extreme beveiliging)
- 26** : Foto = Ingang voor veiligheidsinrichtingen (Fotocellen, contactlijsten)
- 27** : Foto1 = Ingang voor andere veiligheidsinrichting (Fotocellen, contactlijsten)
- 28** : Stap-voor-stap = Ingang voor cyclische werking (OPEN STOP SLUIT STOP)

Onderstaande klemmetjes zijn alleen aanwezig op de uitvoering **A700F**

- 29** : Open = Ingang voor het openen (eventueel door een tijdschakelklok aangestuurd)
- 30** : Sluit = Ingang voor het sluiten
- 41-42** : 2de Ch Radio = Uitgang van het eventuele tweede kanaal van de radio-ontvanger
- 43-44** : Antenne = Ingang voor de antenne van de radio-ontvanger

Op de kaart van de besturingseenheid zijn twee insteekcontacten voor apart verkrijgbare kaarten aanwezig:

RADIO = Insteekcontact voor radio-ontvangers die door **Nice** zijn vervaardigd

PIU' = Insteekcontact voor uitbreidingskaart **PIU'** (alleen op de uitvoering **A700F**)

Het verdient aanbeveling met het insteken van de eventuele apart verkrijgbare kaarten RADIO of PIU' te wachten tot wanneer u met het installeren klaar bent en alleen nadat u gecontroleerd hebt of de installatie goed werkt. Apart verkrijgbare kaarten zijn niet noodzakelijk om de installatie te laten werken en maken indien aangebracht het opsporen van eventuele defecten moeilijker.

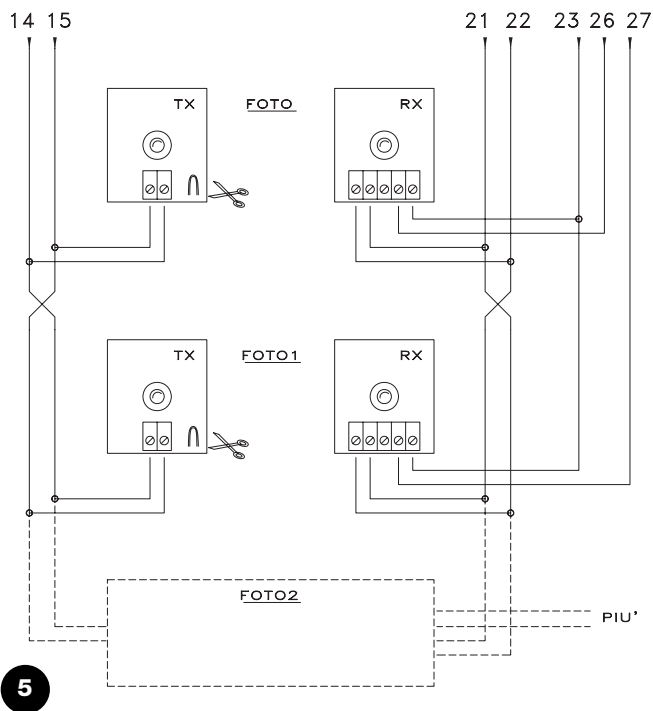
3.5) Opmerkingen over de aansluitingen

Het merendeel van de aansluitingen is uitermate eenvoudig, voor een groot deel betreft het rechtstreekse aansluitingen op één enkel contact, andere daarentegen hebben een wat complexere aansluiting:

Alle éénfase-asynchroonmotoren hebben om correct te kunnen werken een condensator; bij sommige reductiemotoren is deze condensator reeds binnenin aangesloten, andere daarentegen vereisen een externe aansluiting van de condensator. In dat geval dient de condensator tussen de fasen OPEN en SLUIT van de motor aangesloten te worden. Om praktische redenen is het raadzaam de condensator rechtstreeks in de besturingseenheid in de daarvoor bestemde ruimte aan te brengen.

Onderstaand gedeelte heeft alleen betrekking op de uitvoering A700F

Een gedetailleerde beschrijving verdient de inrichting "Fototest". Wat de betrouwbaarheid van veiligheidsinrichtingen betreft, is dit de best denkbare oplossing. Telkens wanneer er een manoeuvre van start gaat, worden de veiligheidsinrichtingen in kwestie gecontroleerd en alleen als alles in orde is, vangt de manoeuvre aan. Als de test daarentegen geen positief resultaat geeft (fotocel door de zon verblind, kortsluiting in kabels etc.) wordt de storing gedetecteerd en wordt de manoeuvre niet uitgevoerd. Dit alles is alleen mogelijk door een bepaalde configuratie in de aansluitingen van de veiligheidsinrichtingen toe te passen (Afb. 5). Zoals u op het elektrische schema kunt zien, ontvangen de zenders stroom van de uitgang fototest, terwijl de ontvangers van de fotocellen FOTO, FOTO1 en eventueel FOTO2 (op kaart PIU') normaal door de 24 Vac van de neveninrichtingen gevoed worden. Wanneer er een manoeuvre verlangd wordt, wordt er in de eerste plaats gecontroleerd of alle ontvangers die met die manoeuvre te maken hebben, hun toestemming geven; vervolgens wordt de uitgang fototest uitgezet en daarna gecontroleerd of alle ontvangers dit feit signaleren door hun toestemming in te trekken; tenslotte wordt de uitgang fototest weer geactiveerd en daarna wordt er opnieuw gecontroleerd of alle zenders toestemming geven. Zoals u kunt opmerken is het synchronisme op de twee zenders geactiveerd door de bruggetjes in kwestie te verbreken; dit is de enige methode die garandeert dat er tussen de twee stellen fotocellen onderling geen interferentie ontstaat. Controleer in de handleiding van de fotocellen de aanwijzingen om ze synchroon te laten werken.

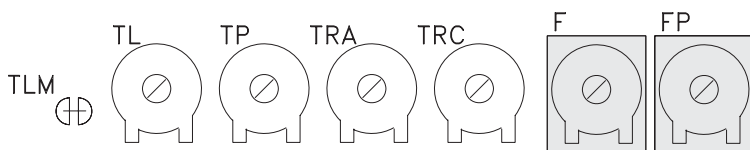


Indien een ingang "FOTO" niet gebruikt wordt, dient het desbetreffende klemmetje met een bruggetje via een relais 24 Vca dat op de uitgang fototest is aangesloten, verbonden te worden.

- Gewoonlijk worden er in poorten met 2 vleugels reductiemotoren gebruikt die geen gebruik van eindschakelaars verlangen; het is gebruikelijk mechanische eindaanslagen te installeren die de manoeuvre op het gewenste punt beëindigen. In de besturingseenheid is er verder de trimmer "Werkingsduur" die normaliter op een tijdsduur is afgesteld die iets groter is dan de tijd die er nodig is om de complete manoeuvre uit te voeren. Wanneer de vleugel de mechanische eindaanslag bereikt, stopt de motor en blijft voor de rest van de tijd belast; de motoren zijn ontworpen om zonder enig probleem dit soort krachten te kunnen weerstaan, met name als de belasting op een waarde onder de 100 % wordt gesteld.
- Bij sommige installaties, zoals bijvoorbeeld in het geval van twee schuifvleugels of in het geval dat u de functie positionering wenst te gebruiken, zou het gebruik van eindschakelaars nodig kunnen zijn. In het merendeel van de gevallen, als er eindschakelaars worden gebruikt, zijn die van het type normaal gesloten "NC", zodat een eventuele storing de motor laat stoppen zonder dat de vleugel op de andere kan vastlopen. In andere gevallen, zoals bijvoorbeeld wanneer er magnetische contacten gebruikt worden, kan het gebeuren eindschakelaars van het type normaal open "NO" te moeten gebruiken. Om de besturingseenheid in staat te stellen de eindschakelaar NO te gebruiken dient u het bruggetje FC op de kaart (Afb. 2) te verbreken. Dit zelfde bruggetje kan ook verbroken worden, indien de eindschakelaars niet worden gebruikt om te vermijden daarvoor de desbetreffende bruggetjes te moeten maken.
- Afhankelijk van het type reductiemotor en de gewenste functie kunnen de eindschakelaars gebruikt worden om het eindpunt van de manoeuvre aan te geven (functie eindschakelaar) of ook als signalering van het beginpunt van de functie positionering. Als de eindschakelaars als positionering gebruikt worden, worden ze gewoonlijk onder een hoek van 10-20° vanaf het punt van stoppen gezet en geven zij het punt aan waar op de motoren nog minder kracht (afstelbaar met de speciale trimmer KRACHT POSITIONERING) zal worden toegepast, zodat de mechanische eindaanslag zo zachtjes mogelijk bereikt zal worden.

4) Afstellingen

- TLM** = Bruggetje Verlengde Werkingsduur
- TL** = Werkingsduur
- TP** = Pauzeduur
- TRA** = Vertragingduur Opening
- TRC** = Vertragingduur Sluiting
- F** = Kracht
- FP** = Kracht Positionering



Als de poort uit 2 vleugels bestaat die op elkaar kunnen vastlopen, als ze bij opening tegelijkertijd in beweging komen, of als bij sluiting de een op de ander komt, dient u dit probleem opheffen door de trimmers Tijdsduur Vertraging Opening "TRA" of Tijdsduur Vertraging Sluiting

“TRC” af te stellen. Deze trimmers kunnen naar wens worden afgesteld ook al wordt normaal gesproken TRA zoveel afgesteld als strikt genomen nodig is om te bewerkstelligen dat de door de 2de motor aangedreven vleugel al buiten de “gevaarzone” is wanneer de 1ste motor start.

De trimmer TRC moet zo afgesteld worden dat bij sluiting de vleugel van de 2de motor altijd dan pas het sluitpunt bereikt, wanneer de 1ste motor de sluitmanoeuvre al beëindigd heeft. De Vertragsduur Sluiting kan gebruikt worden om de veiligheidszone bij sluiting af te stellen en wel op 50 cm van de vleugels.

Nu selecteert u de werkingsmodus “Semi-automatisch” door de dipschakelaar 1 op On te zetten en daarna zet u de trimmer Werkingsduur ongeveer halverwege. Nu test u met deze afstellingen een volledige openingscyclus en daarna een sluitcyclus; stel de trimmer Werkingsduur eventueel zoveel bij dat de werkingsduur voldoende is om de volledige manoeuvre uit te voeren waarbij nog een tijds marge van 2 of 3 seconden over blijft. Voor het geval, dat de tijdsduur toch niet voldoende is, ook al zet u de trimmer op het maximum, kunt u het bruggetje TLM op de print naast de trimmer verbreken en zo een langere werkingsduur verkrijgen. Bij sommige soorten aandrijvingen, zoals bijvoorbeeld bij een hydraulische aandrijving, wordt de kracht rechtstreeks op de groep aandrijving afgesteld; raadpleeg de desbetreffende handleiding voor verdere uitleg over het afstellen; laat de afstelling van de kracht binnen de besturingseenheid op het maximum afgesteld staan. Bij al die soorten aandrijvingen die geen inrichting voor het afstellen van de kracht bezitten kunt u daarentegen het systeem voor krachtafstelling binnen de besturingseenheid gebruiken: volg de aanwijzingen daarvoor op grond van de toegepaste besturingseenheid.

Onderstaand gedeelte heeft alleen betrekking op de uitvoering A6

Op de besturingseenheid bevindt zich een trimmer KRACHT die normaal gesproken op het maximum is afgesteld; draai met een schroevendraaier de trimmer tegen de wijzers van de klok in om de kracht van de motor te reduceren tot de in de voorschriften gestelde waarde.

Onderstaand gedeelte heeft alleen betrekking op de uitvoeringen A6F en A700F

Op de besturingseenheid bevindt zich een autotransformator met tussenstanden op de primaire wikkeling die met behulp van een speciale keuzeschakelaar KRACHT geselecteerd kunnen worden; zet de keuzeschakelaar op die stand welke de kracht van de motor tot de in de voorschriften voorziene waarde terugbrengt.

Welk systeem u ook voor het afstellen van de kracht gebruikt, aan het begin van de manoeuvre wordt tijdens 1,5 sec het maximum van de kracht gebruikt en pas hierna, “Startaanloop” genoemd, wordt de ingestelde kracht aangewend. Als u de automatische werkingsmodus heeft geselecteerd (dipschakelaar 2 op On), vindt er na afloop van een openingsmanoeuvre een “pauze” plaats, waarna automatisch een sluitmanoeuvre uitgevoerd wordt. De tijd waarin de poort open blijft, kunt u met behulp van de daarvoor bestemde trimmer PAUZEDUUR afstellen; de tijdsduur hiervan kan zo lang zijn als u wilt, zonder enige beperking. Een automatische sluitmanoeuvre met daarna de desbetreffende pauze wordt ook geactiveerd bij semi-automatische werkingsmodus wanneer een veiligheidsinrichting bij een sluitmanoeuvre een omkering van de bewegingsrichting veroorzaakt. Pas nu, na afloop van alle afstellingen raden wij u aan de eventuele radio-ontvanger aan te brengen, waarbij u er aan moet denken dat de daarvan afkomstige bedieningsopdrachten naar de ingang STAP VOOR STAP worden gestuurd.

4.1) Werkingsmodi

N.B.: sommige hieronder beschreven gedeelten hebben alleen betrekking op de uitvoering **A700F**.

Bij de werkingsmodus Handbediening kunt u met ingang OPEN een openingsmanoeuvre uitvoeren en met de ingang SLUIT een sluitmanoeuvre. De ingang Stap-voor-stap maakt afwisselend een openings- en sluitmanoeuvre mogelijk; zodra de bedieningsopdracht op de ingang komt te vervallen, stopt de manoeuvre. Bij opening stopt de manoeuvre wanneer de eindschakelaars in werking treden of als toestemming van FOTO2 (op de kaart PIU) ontbreekt; bij sluiting daarentegen wordt de manoeuvre onderbroken, ook als toestemming van FOTO en FOTO1 ontbreekt. Wanneer er, zowel bij een openings- als sluitmanoeuvre op STOP gedrukt wordt, veroorzaakt dit een onmiddellijke onderbreking van de manoeuvre. Zodra de poort niet meer loopt, dient u eerst de binnenkomende bedieningsopdracht te onderbreken alvorens een nieuwe manoeuvre te laten beginnen. Bij één van de automatische werkingsmodi (Semi-automatisch - Automatisch of Sluit altijd) veroorzaakt een bedieningsopdracht op de ingang OPEN een openingsmanoeuvre; als de bedieningsopdracht aanhoudt, blijft de beweging in een oneindige pauze “bevroren” wanneer de poort het openingspunt bereikt heeft; pas wanneer de bedieningsopdracht komt te vervallen, kan de poort weer geslo-

ten worden. Een impuls op STAP VOOR STAP veroorzaakt afwisselend een openings- of sluitmanoeuvre. Een tweede impuls op STAP VOOR STAP of op dezelfde ingang die de manoeuvre gestart heeft, veroorzaakt een toestand van Stop. Zowel bij een openings- als bij een sluitmanoeuvre zal een bedieningsopdracht op STOP ervoor zorgen dat de manoeuvre onmiddellijk onderbroken wordt, gevolgd door een korte terugloop. Als op een instructie-ingang in plaats van een impuls een voortdurend signaal gegeven wordt, ontstaat er een staat van “voorkeur” waarbij de andere instructie-ingangen niet vrijgegeven worden (nuttig voor het aansluiten van een tijdschakelklok of een keuzeschakelaar Nacht-Dag). Wanneer de automatische werkingsmodus geselecteerd is, heeft er na een openingsmanoeuvre een pauze plaats, na afloop waarvan er een sluitmanoeuvre wordt uitgevoerd. Als er tijdens een pauze tussenkomst van FOTO of FOTO1 plaatsvindt, zal de tijdschakelklok teruggesteld worden met een nieuwe pauzeduur; als er daarentegen tijdens een pauze een bedieningsopdracht op STOP gegeven wordt, zal de functie van opnieuw sluiten gewist worden en komt de poort in een toestand van STOP. Bij een openingsmanoeuvre heeft tussenkomst van de veiligheidsinrichtingen FOTO of FOTO1 geen enkel gevolg, terwijl FOTO2 (op de kaart PIU) omdraaiing van de manoeuvre veroorzaakt; bij sluiting veroorzaakt tussenkomst van FOTO of FOTO1 omdraaiing van de manoeuvre, waarna een pauze en vervolgens opnieuw een sluitmanoeuvre.

5) Programmering

De besturingseenheid beschikt over een reeks microschakelaars waarmee u de verschillende functies kunt activeren teneinde de installatie zo goed mogelijk op de eisen van de gebruiker af te stemmen en deze bij de verschillende gebruikswijzen zo veilig mogelijk te maken. Alle functies worden geactiveerd door de desbetreffende dipschakelaar op de stand “On” te zetten, terwijl ze niet ingeschakeld zijn, wanneer de desbetreffende dipschakelaar op “Off” staat; sommige functies hebben geen onmiddellijke doelmatigheid en hebben alleen onder bepaalde omstandigheden zin, bijvoorbeeld de functie 12 “Knipperlicht ook bij pauze” is alleen actief bij automatische sluiting en als de

manoeuvre niet door een bedieningsopdracht STOP wordt onderbroken.

⚠ LET OP! sommige programmeerbare functies hebben gevolgen voor de veiligheidsaspecten; beoordeel zorgvuldig de gevolgen van een bepaalde functie en controleer welke functie de grootst mogelijke veiligheid biedt. Bij het onderhoud van een installatie dient u, voordat u een programmeerbare functie gaat wijzigen, eerst te beoordelen waarom er tijdens de installeringsfase bepaalde keuzes zijn gemaakt, en vervolgens na te gaan of de veiligheid bij een nieuwe programmering afneemt.

5.1) Programmeerbare functies

Met de dipschakelaar FUNCTIES kunt u de verschillende werkingsmodi selecteren en de door u gewenste functies volgens onderstaande tabel invoeren:

Schakelaar 1-2:	Off Off	= Manoeuvre "Handbediening" d.w.z. er is iemand aanwezig
	On Off	= Manoeuvre "Semi-automatisch"
	Off On	= Manoeuvre "Automatisch" dat wil zeggen Automatisch Sluiten
	On On	= Manoeuvre "Automatisch + Sluit altijd"
Schakelaar 3	On	= Werking Woonblok < Niet beschikbaar in de modus Handbediening >
Schakelaar 4	On	= Voorwaarschuwing
Schakelaar 5	On	= Terugloop onmiddellijk na Foto < alleen in de modus Automatisch >
Schakelaar 6	On	= Foto1 ook bij het openen
Schakelaar 7	On	= Soft start
Schakelaar 8	On	= Soft stop
Schakelaar 9	On	= Drukstoot
Schakelaar 10	On	= Gebruikerslicht op het knipperlicht

In de uitvoering **A700F** is er een tweede groep dipschakelaars met andere functies:

Schakelaar 11	On	= Functie positionering < alleen bij gebruik van de eindschakelaars >
Schakelaar 12	On	= Knipperlicht ook in Pauze < alleen in de modus Automatisch >
Schakelaar 13	On	= Handhaving druk
Schakelaar 14	On	= Controlelampje Poort Open met proportioneel knipperen
Schakelaar 15	On	= Activering Fototest
Schakelaar 16	On	= Foto en Foto1 ook bij het openen
Schakelaar 17	On	= Foto en Foto1 bij het begin van de openingsmanoeuvre
Schakelaar 18	On	= Slaat STOP bij het openen over
Schakelaar 19	On	= Slaat STOP bij het sluiten over
Schakelaar 20	On	= SLUIT wordt VOETGANGERSOPENING

Wij wijzen u erop dat de functies die alleen in bepaalde gevallen mogelijk zijn, aangegeven worden door de opmerkingen tussen de tekens "<>" na de beschrijving van de functie.

Natuurlijk activeert elke dip-schakelaar die op "Off" staat de beschreven functie niet.

5.2) Beschrijving van de functies

Hieronder geven wij een beknopte beschrijving van de functies die ingeschakeld kunnen worden door de desbetreffende dipschakelaar op "On" te zetten.

Schakelaar 1-2:	Off Off	= Manoeuvre "Handbediening" (Er is iemand aanwezig)
	On Off	= Manoeuvre "Semi-automatisch"
	Off On	= Manoeuvre "Automatisch" (Automatisch Sluiten)
	On On	= Manoeuvre "Automatisch + Sluit Altijd"

Bij de "Handbediende" werking wordt de manoeuvre alleen uitgevoerd zolang de instructie aanwezig is (toets ingedrukt).

Bij "Semi-automatisch" is een instructie-impuls voldoende en wordt de gehele manoeuvre uitgevoerd totdat de Werkingsduur verlopen is of de eindschakelaar bereikt is. Bij "Automatische" werking is er na een openingsmanoeuvre een pauze waarna de sluiting automatisch uitgevoerd wordt. De functie "Sluit altijd" treedt in werking na een storing in de stroomvoorziening, waarbij automatisch een sluitmanoeuvre uitgevoerd wordt na een voorwaarschuwing van 5 seconden.

Schakelaar 3: On = Werking Woonblok (niet beschikbaar in de modus Handbediening)

Bij de functie Woningblok kan de manoeuvre, zodra de openingsmanoeuvre van start gegaan is, niet door andere bedieningsimpulsen op STAP-VOOR-STAP of OPEN onderbroken worden zolang de openingsmanoeuvre nog niet beëindigd is. Tijdens een sluitmanoeuvre zal een nieuwe bedieningsimpuls de poort laten stoppen en zal de poort weer open gaan.

Schakelaar 4: On = Voorwaarschuwing

Bij het ontvangen van een bedieningsimpuls wordt eerst het knipperlicht geactiveerd en gaat vervolgens na 5 seconden (2 sec. bij handbediening) de manoeuvre van start.

Schakelaar 5: On = Terugloop onmiddellijk na Foto (alleen indien in de modus Automatisch)

Met behulp van deze functie kunt u de poort zolang openhouden als nodig is om te passeren; nadat FOTO of FOTO 1 in werking is gekomen, zal er na een pauze van 5 seconden, onafhankelijk van de afgestelde Pauzeduur, altijd een sluiting plaats vinden.

Schakelaar 6: On = Foto1 ook bij het openen

Deze functie is de enige waarin de werking tussen de fotocellen FOTO en FOTO1 van elkaar verschilt. Normaal gesproken worden de veiligheidsinrichtingen Foto en Foto1 alleen tijdens de sluitmanoeuvre geactiveerd, terwijl ze bij de openingsmanoeuvre geen enkel gevolg hebben; als de dipschakelaar 6 op "On" wordt gezet, zal FOTO nog steeds alleen bij sluiting in werking treden, maar zal FOTO1 ook bij opening in werking treden, waarbij ze de manoeuvre onderbreekt. Bij de Semi-automatische of Automatische modus zal de manoeuvre, zodra FOTO1 de beveiliging vrijkomt, weer hervat worden. Deze werkingsmodus is nuttig om de openingsmanoeuvre van de poort te onderbreken, wanneer er bijvoorbeeld een voertuig de poort aan de binnenzijde en dus in de richting van de manoeuvre nadert, zonder ook de manoeuvre te moeten onderbreken wanneer er een voertuig van buiten komt.

Schakelaar 7: On = Soft start

De manoeuvre gaat geleidelijk van start waarbij een steeds groter kracht op de motor wordt overgebracht, wat ongeveer 1 sec duurt; deze functie garandeert dat het starten zonder schokken verloopt. (Functie afgeraden op de reductiemotoren METRO).

Schakelaar 8: On = Soft stop

Wanneer de manoeuvre ten einde komt, wordt de beweging geleidelijk aan afgebroken door gedurende ongeveer 1 sec. een steeds kleinere kracht op de motor te zetten; hiermee wordt gegarandeerd dat de beweging zonder schokken ten einde komt. Het is duidelijk dat om

redenen van veiligheid er geen soft stop plaatsvindt; de soft stop wordt door een normale stop vervangen, wanneer STOP, FOTO en FOTO1 of FOTO2 (op kaart PIU') of één van de eindschakelaars in werking treden.

Schakelaar 9: On = Drukstoot

Wanneer er omkeerbare aandrijvingen gebruikt worden en de poort door de duwkracht van de motoren dus niet in gesloten stand blijft staan, is het absoluut noodzakelijk een elektrisch slot te installeren (zie de aanwijzingen van de aandrijvingen voor het gebruik daarvan). Op het elektrische slot zou zo die natuurlijke duwkracht uitgeoefend kunnen worden welke ertoe neigt de vleugels enigszins geopend te houden; soms is deze duwkracht zo groot dat het springmechanisme van het elektrische slot geblokkeerd raakt. Wanneer de functie Drukstoot geactiveerd is, wordt er voordat een openingsmanoeuvre van start gaat, een korte sluitcyclus geactiveerd, die tot geen enkele beweging zal leiden, daar de vleugels zich al op de mechanische sluitaanslag bevinden. Op deze manier is er geen enkele kracht op het elektrische slot aanwezig, wanneer dat geactiveerd wordt, en kan het dus in werking treden.

Schakelaar 10: On = Gebruikerslicht op knipperlicht

In bepaalde gevallen kan het nodig zijn dat het gebied van manoeuvre van de poorten verlicht wordt; vaak verlangt men dat de verlichting automatisch uit gaat even nadat de poort haar manoeuvre beëindigd heeft. Deze functie wordt over het algemeen "Gebruikerslamp" genoemd. Door adequate verlichtingsorganen op dezelfde uitgang van het knipperlicht aan te sluiten (voor een maximumvermogen in het geheel van 100 W) en deze functie te activeren zorgt u ervoor dat tijdens de gehele manoeuvre en nog 60 sec. daarna de uitgang actief zal blijven zodat het gebied verlicht is.

Alleen in de uitvoering A700F is een tweede groep dipschakelaars met andere functies aanwezig

Schakelaar 11: On = Functie positionering (alleen bij gebruikt van eindschakelaars)

De eindschakelaars kunnen in plaats voor het signaleren van de grenzen van de manoeuvre, gebruikt worden om het punt aan te geven waarop positionering plaats vindt. Normaal gesproken worden de eindschakelaars, wanneer de functie positionering gebruikt wordt, onder een hoek van 10-20° voor de mechanische eindaanslag geplaatst. Op deze manier wordt er, wanneer de vleugel de eindschakelaar bereikt, minder kracht op de motor gezet, die met de speciale trimmer "Kracht Positionering", voor een tijdsduur van nog eens 3 sec. afgesteld kan worden zodat de vleugel de mechanische eindaanslag zo zachtjes mogelijk bereikt.

Schakelaar 12: On = Knipperlicht ook in Pauze

Normaliter wordt het knipperlicht alleen tijdens de openings- of sluitmanoeuvre geactiveerd; deze functie voorziet erin dat het knipperlicht ook tijdens de Pauze actief blijft teneinde aan te geven dat er een "sluiting op handen" is.

Schakelaar 13: On = Handhaving druk

Bij hydraulische aandrijvingen wordt de kracht om de poort gesloten te houden in een hydraulisch circuit ontwikkeld dat altijd onder druk blijft. Wanneer tijd en slijtage de afdichting van dat hydraulische circuit minder efficiënt hebben gemaakt, kan het voorkomen dat na enkele uren de druk binnenin zakt met het daaruit volgende risico dat de vleugels van de poort enigszins open blijven staan. Als de functie "Handhaving van de Druk" geactiveerd is, wordt er elke 4 uur dat de poort dicht is, een korte sluitmanoeuvre geactiveerd, enkel en alleen met het doel de druk in het hydraulische circuit weer te stabiliseren. N.B.: De functies "Drukstoot" en "Handhaving druk" hebben alleen zin en worden dan ook alleen uitgevoerd als de poort dicht is. De interne logica beschouwt de poort dicht als de desbetreffende eindschakelaar FCC in werking is gekomen of, indien de eindschakelaars niet gebruikt worden, omdat de voorgaande sluitmanoeuvre naar behoren voor het einde van de werkingsduur is beëindigd.

Schakelaar 14: On = Controlelampje C.A. met proportioneel knippen

Normaal geeft het controlelampje Poort Open de staat van de poort als volgt aan:

Uit: Poort helemaal dicht

Aan: Poort ook alleen gedeeltelijk open

Langzaam knippen: Poort in fase van opening

Snel knippen: Poort in fase van sluiting

U kunt het controlelampje tijdens de manoeuvre proportioneel laten knippen, d.w.z. van langzaam geleidelijk aan snel en omgekeerd zodat u een aanwijzing hebt ten aanzien van de staat van opening of sluiting.

Schakelaar 15: On = Activering Fototest

Hiermee kunt u voor het begin van een manoeuvre een testfase van de fotocellen laten uitvoeren; op deze manier voorkomt u dat de veiligheidsinrichting niet goed functioneert, zodat de veiligheid van de installatie vergroot wordt. Om de functie Fototest te kunnen gebruiken dienen de zenders van de fotocellen op de speciaal daarvoor bestemde uitgang aangesloten te zijn (zie: Opmerkingen bij de aansluitingen).

Schakelaar 16: On = Foto en Foto1 ook bij opening

Normaal gesproken is er tussenkomst van de veiligheidsinrichtingen FOTO en FOTO1 alleen bij de sluitmanoeuvre, als de dipschakelaar 16 geactiveerd wordt, veroorzaakt tussenkomst van de veiligheidsinrichtingen een onderbreking van de manoeuvre ook bij het openen; bij Semi-automatische of Automatische werkingsmodus zal bij opening de beweging opnieuw op gang komen onmiddellijk nadat de fotocel weer vrij is.

Schakelaar 17: On = Foto en Foto1 bij het begin van de openingsmanoeuvre

Gewoonlijk zijn de veiligheidsinrichtingen FOTO en FOTO1 niet bij de openingsmanoeuvre maar alleen bij de sluitmanoeuvre actief, omdat die de gevaarlijkste is. In sommige landen zijn er regels die controle van de veiligheidsinrichtingen voorschrijven, tenminste aan het begin van de openingsmanoeuvre. Als die regels opgevolgd dienen te worden of als u het veiligheidsniveau wenst te verhogen, kunt u deze functie activeren en dus voordat de manoeuvre van start gaat, controleren of de veiligheidsinrichtingen FOTO en FOTO1 hun toestemming geven, en pas daarna de manoeuvre laten starten.

Schakelaar 18: On = Slaat STOP bij het openen over

De cyclus Stap-voor-Stap is gewoonlijk: OPEN-STOP-SLUIT-STOP; wanneer deze functie ingeschakeld is, wordt de cyclus Stap-voor-Stap: OPEN-SLUIT-STOP-OPEN, terwijl de ingang Open de mogelijkheid een STOP uit te voeren verliest.

Schakelaar 19: On = Slaat STOP bij het sluiten over

Deze functie is hetzelfde als de functie hiervoor, maar heeft betrekking op de sluitcyclus, dus de cyclus Stap-voor-Stap wordt: OPEN-STOP-SLUIT -OPEN, terwijl de ingang Sluit de mogelijkheid verliest een STOP uit te voeren.

N.B.: Door de dipschakelaars 18 en 19 op de stand On te zetten wordt de cyclus stap-voor-stap OPEN-SLUIT-OPEN waarbij de ingang definitief de mogelijkheid een STOP uit te voeren verliest.

Schakelaar 20: On = SLUIT wordt VOETGANGERSOPENING

Het kan voorkomen dat het niet noodzakelijk is de poort helemaal te openen, bijvoorbeeld wanneer er een voetganger moet passeren; in dat geval wordt de functie VOETGANGERSDOORGANG nuttig, waarmee het mogelijk is alleen de aan de 2de motor gekoppelde vleugel te openen, terwijl de andere vleugel dicht blijft. Dit soort opening wordt geactiveerd door de ingang SLUIT die haar oorspronkelijke functie verliest en daarmee wordt als de ingang Stap-voor-Stap, maar dat alleen voor het openen van één vleugel. Er dient op gewezen te worden dat de cyclus voetgangersdoorgang alleen geactiveerd wordt, als de poort dicht is; als de poort daarentegen open gaat of open staat, heeft de impuls van deze ingang geen enkel gevolg.



ACCESSOIRE: UITBREIDINGSKAART "PIU"

De elektronische besturingseenheid beschikt over alle belangrijke functies die van een normale automatisering verwacht mogen worden; in de uitvoering A700F is er in de mogelijkheid voorzien de apart verkrijgbare kaart PIU' toe te voegen waarmee de prestaties van de besturingseenheid nog verhoogd worden.

Onderstaand gedeelte heeft alleen betrekking op de uitvoering A700F

De kaart dient in het speciale insteekcontact op de bedieningseenheid gestoken te worden; daarna zijn op de klemmetjes van de kaart beschikbaar:

- de volgende ingangen: Foto 2 = Veiligheidsinrichting met inwerkingtreding tijdens de openingsmanoeuvre
Open gedeeltelijk = uitvoering van een openingsmanoeuvre met een gereduceerde tijdsduur
- de volgende uitgangen: Rood = Rood licht van het verkeerslicht } Alarmen
Groen = Groen licht van het verkeerslicht }
Elektrisch slot = Bedieningsopdracht voor het elektrische slot (gezien het feit dat de besturingseenheid reeds over deze uitgang beschikt, is de functie gewijzigd in "Zuignap" voor het koppelen van die magnetische sluitingen welke als alternatief voor het elektrische slot gebruikt worden)
Gebruikerslicht = Bedieningsopdracht voor een lamp met de functie van gebruikerslamp

N.B.: De uitgangen kunnen alleen geringe belastingen (controlelampjes, relais etc.) aansturen

- en de volgende afstellingen: Gedeeltelijke Tijd = Tijdsduur voor Gedeeltelijke opening
Tijd Gebruikerslamp = Tijdsduur voor gebruikerslamp

Alle kenmerken en de gebruiksaanwijzingen van de kaart zijn in desbetreffende handleiding vervat.

6) Eindtest

Wanneer alle aansluitingen van de motoren en de verschillende accessoires uitgevoerd zijn, kunt u de aansluitingen controleren en de eindtest van de installatie uitvoeren.

⚠ Dit is de belangrijkste fase bij de aanleg van de automatisering teneinde een zo groot mogelijke veiligheid te garanderen. De eindtest kan ook als periodieke controle voor de verschillende inrichtingen van de automatisering gebruikt worden.

De eindtest van de gehele installatie dient door ervaren en gekwalificeerde technici verricht te worden. Zij moeten ook bepalen welke tests in functie van de bestaande risico's noodzakelijk zijn en controleren of de wettelijke voorschriften, regelgeving en regels en met name alle vereisten van norm EN 12445, waarin de testmethodes voor de controle van automatiseringen voor poorten bepaald zijn, in acht genomen zijn. Het is raadzaam in handbediende modus te werken waarbij alle functies gedeactiveerd zijn (dipschakelaar Off); in elk geval komt de motor bij de handbediende modus onmiddellijk tot stilstand door de bedieningstoets los te laten. Ga ook na of alle trimmers voor afstelling op het minimum staan (tegen de wijzers van de klok in gedraaid) alleen de trimmer KRACHT (op A6) of de schakelaar KRACHT (op A6F en A700F) kan op het maximum staan, terwijl de trimmer Kracht Positionering (op A700F) halverwege wordt gezet. Voor elk afzonderlijk onderdeel van het automatisme, zoals bijvoorbeeld contactlijsten, fotocellen, noodstop, etc. is een specifieke fase in de eindtest vereist; voor deze inrichtingen zullen de procedures uit de desbetreffende handleidingen gevolgd moeten worden.

Controleer dat de voorschriften in deze handleiding en met name die vervat in hoofdstuk 1 "Aanbevelingen" nauwgezet in acht genomen zijn;

- A)** Ontgrendel de poort en breng de vleugels halverwege en vergrendel ze dan; op deze manier kan de poort zowel tijdens de openings- als sluitmanoeuvre in vrijelijk bewegen.
- B)** Zet de besturingseenheid onder spanning, controleer dat er tussen de klemmetjes 1-2 en 1-3 een spanning van 230 / 120 Vca staat en op de klemmetjes 21-22 van 24 Vca.

Onderstaand gedeelte heeft alleen betrekking op de uitvoering A700F

- C)** Controleer dat er op de klemmetjes 14-15 een spanning van 24 Vac staat voor stroomvoorziening van de zenders van de fotocellen.

Zodra de besturingseenheid onder spanning komt te staan, moeten de controlelampjes (leds) op de actieve ingangen gaan branden; bovendien moet binnen enkele ogenblikken de led "OK"

regelmatig beginnen te knippen. Als dit niet allemaal gebeurt, dient u onmiddellijk de stroomvoorziening te onderbreken en de aansluitingen nauwkeuriger te controleren.

- De led "OK" die zich midden op de kaart bevindt, heeft tot taak de status van de interne logica te signaleren: regelmatige knippen met 1 knippering per seconde geeft aan dat de interne microprocessor actief is en in afwachting van bedieningsopdrachten is. Wanneer de microprocessor een wijziging in de status van een ingang (zowel ingang van bedieningsopdracht als dipschakelaar van de functies) constateert, zal het lampje tweemaal snel gaan knippen, dit ook als de wijziging geen onmiddellijke gevolgen heeft. Wanneer het lampje heel snel 3 seconden knippert, geeft dit aan dat de besturingseenheid zojuist onder spanning is gezet en bezig is met het uitvoeren van een test van de interne delen: onregelmatig en niet constant knippen geeft aan dat de test niet tot een goed einde is gekomen en dat er dus een defect is.
- D)** Vergewis u er nu van dat de leds horende bij de ingangen met contacten van het type NC branden (alle veiligheidsinrichtingen actief) en dat de leds behorende bij de ingangen van het type NO uit zijn (geen enkele bedieningsopdracht aanwezig); indien dit niet het geval is dient u te controleren of de verschillende inrichtingen correct zijn aangesloten en goed werken.
- E)** Controleer of alle veiligheidsinrichtingen van de installatie (noodstop, fotocellen, pneumatische randen etc.) goed werken, telkens wanneer die in werking treden, moeten de desbetreffende leds STOP, FOTO of FOTO1 uitgaan.
- Dit is één van de belangrijkste controles en dient uiterst aandachtig uitgevoerd te worden: van het correct functioneren van de veiligheidsinrichtingen hangt heel de "actieve" veiligheid van de machine poort af. Als het knipperlicht een uitstekend instrument is om een gevaarlijke situatie te signaleren en de koppelbegrenzers een waardevol middel vormen om de schade te beperken, kan alleen een correcte installering van de veiligheidsinrichtingen het automatisme blokkeren voordat het schade kan veroorzaken.

Onderstaand gedeelte heeft alleen betrekking op de uitvoering A700F

- F)** Als de ingangen eindschakelaars gebruikt worden, dient u te controleren of de aansluitingen correct uitgevoerd zijn. Verplaats de vleugels één voor één en verifieer dat wanneer zij het gewenste punt bereikt hebben, de eindschakelaar in kwestie in werking treedt waarbij de desbetreffende led op de besturingseenheid uit gaat (of aan gaat als er NO-eindschakelaars gemonteerd zijn).

- Nu dient u te controleren of de manoeuvre in de goede richting plaats vindt d.w.z. te controleren of de door de besturingseenheid doorgegeven manoeuvre overeenkomt met de daadwerkelijk door de vleugels uitgevoerde manoeuvre. Deze controle is van fundamenteel belang, als de richting in bepaalde gevallen niet juist is (bijvoorbeeld in de semi-automatische modus) zou het kunnen lijken dat de poort correct functioneert, want de cyclus OPEN is gelijk aan de cyclus SLUIT met het fundamentele verschil echter dat de veiligheidsinrichtingen genegeerd zullen worden bij de sluitmanoeuvre - die normaal gesproken de gevaarlijkste is - en bij opening in werking zullen treden waardoor ze een hersluiting tegen het obstakel zullen veroorzaken met desastreuze gevolgen!

G) Om te controleren of de draairichting correct is, heeft u alleen maar een korte impuls op de ingang Stap-voor-Stap te geven; de eerste manoeuvre die de besturingseenheid uitvoert nadat ze onder spanning is gezet, is altijd OPEN, dus heeft u alleen maar te controleren of de poort inderdaad een openingsmanoeuvre uitvoert; indien de manoeuvre in de verkeerde richting wordt uitgevoerd, dient u als volgt te werk te gaan:

- 1 - Schakel de stroomvoorziening uit
- 2 - Wissel de aansluitingen "OPEN" en "SLUIT" van de motor of van de motoren die in tegengestelde richting draaien.

Wanneer u dit gedaan hebt, dient u opnieuw te kijken of de draairichting in orde is, waarvoor u bij punt "G" begint.

H) Nadat u alle aansluitingen gecontroleerd hebt en nagegaan hebt of de draairichting van de motoren in orde is, kunt u een volledige manoeuvre van de aandrijvingen testen; het verdient aanbeveling

altijd in de handbediende modus te werken waarbij alle functies gedeactiveerd zijn. Indien u als bedieningsopdracht de ingang Stap-voor-Stap gebruikt, zal de eerste manoeuvre (nadat u de installatie aangezet hebt) een openingsmanoeuvre zijn. Via de ingangen voor bedieningsopdrachten laat u de poort tot het openingspunt lopen; als dit in orde is kunt u nu tot een sluitmanoeuvre over gaan en de poort tot het stoppunt in kwestie laten lopen.

Het is raadzaam diverse openings- en sluitmanoeuvres uit te voeren teneinde eventuele defecten in de mechanische structuur van de automatisering te beoordelen en de aanwezigheid van speciale wijvingpunten te constateren.

I) Ga nu over inwerkingtreding van de veiligheidsinrichtingen te testen; FOTO en FOTO1 hebben bij de openingsmanoeuvre geen enkel gevolg, maar bij sluiting veroorzaken zij een onderbreking in de manoeuvre. Als er een kaart PIU' aanwezig is, dient u ook te controleren of de ingang FOTO 2 correct werkt; bij sluiting moet deze geen enkel gevolg hebben, maar moet bij opening de manoeuvre onderbreken. De veiligheidsinrichtingen die op de ingang STOP zijn aangesloten, werken zowel bij een openings- als sluitmanoeuvre en veroorzaken altijd een onderbreking van de manoeuvre.

L) Als gevaarlijke situaties welke door de beweging van de vleugels opgeheven zijn door middel van beperking van de stootkracht, dient u deze kracht te meten volgens de voorschriften van de norm EN 12445. Als de aansturing van het "Motorkracht" gebruikt wordt als hulpmiddel voor het systeem om de stootkracht terug te brengen, dient u dan die instelling te vinden, welke de beste resultaten oplevert.

6.1) Inbedrijfstelling

Inbedrijfstelling kan alleen plaatsvinden nadat alle fasen van de eindtest van de besturingseenheid en de andere aanwezige inrichtingen met succes zijn afgesloten. Gedeeltelijke inbedrijfstelling of inbedrijfstelling in "tijdelijke" situaties is niet toegestaan.

1. Maak een technisch dossier van de automatisering en bewaar dat tenminste 10 jaar, dat tenminste bestaat uit: de overzichtstekening van de automatisering, het elektrische bedradingsschema, een analyse van de risico's en de toegepaste oplossing daarvoor, de conformiteitsverklaringen van alle fabrikanten voor alle gebruikte inrichtingen (gebruik voor A6 – A6F – A700F de bijgevoegde EG-Verklaring van overeenstemming); kopie van de gebruiksaanwijzingen en het onderhoudsplan van de automatisering.

2. Breng op de poort een plaatje aan met daarop tenminste de volgende gegevens: type automatisering, naam en adres van de fabrikant (verantwoordelijk voor de "inbedrijfstelling"), serienummer, bouwjaar en "CE"-keurmerk.

3. Breng in de nabijheid van de poort een niet te verwijderen etiket of plaatje aan waarop de handelingen zijn aangegeven voor het ontgrendelen en handmatig bewegen van de deur

4. Stel de verklaring van overeenstemming voor de automatisering op en geef ze aan de eigenaar van de automatisering.

5. Maak de handleiding "Aanwijzingen en aanbevelingen voor het gebruik van de automatisering" en geef die aan de eigenaar van de automatisering.

6. Stel een onderhoudsplan (met daarin de voorschriften voor het onderhoud van alle inrichtingen van de automatisering) op en geef dit aan de eigenaar van de automatisering.

7. Informeer vóór de inbedrijfstelling van de automatisering de eigenaar uitvoerig en schriftelijk (bijvoorbeeld in de handleiding met aanwijzingen en aanbevelingen voor het gebruik van de automatisering) over de nog aanwezige gevaren en risico's.

7) Onderhoud en afvalverwerking

⚠ In dit hoofdstuk vindt u de benodigde informatie voor uitvoering van het onderhoudsplan en de afvalverwerking van A6 – A6F – A700F.

7.1) Onderhoud

Om de veiligheid op een constant niveau te houden en een zo lang mogelijke levensduur van de gehele automatisering te waarborgen is regelmatig onderhoud vereist.

Het onderhoud moet uitgevoerd worden met volledige inachtneming van de veiligheidsvoorschriften van deze handleiding en volgens de van kracht zijnde wettelijke voorschriften en regelgeving.

Volg voor de inrichtingen die niet tot **A6 – A6F – A700F** behoren de aanwijzingen van het desbetreffende onderhoudsplan daarvoor op.

1. Er is een geprogrammeerde onderhoudsbeurt vereist die op zijn minst binnen 6 maanden of 10.000 manoeuvres na de vorige onderhoudsbeurt uitgevoerd moet worden.

2. Koppel alle bronnen van elektrische stroomvoorziening los.

3. Controleer alle materialen waaruit de automatisering bestaat op kwaliteitsvermindering en let daarbij vooral op aantasting of roestvorming van de structurele delen; vervang die delen welke onvoldoende garantie bieden.

4. Controleer de staat van slijtage van alle bewegende delen: telescooparmen, kabels van de tegengewichten en alle delen van de vleugel; vervang de versleten onderdelen. Sluit de elektrische stroomvoorziening weer aan en voer alle test en controles uit zoals die in paragraaf "6 Eindtest" voorzien zijn.

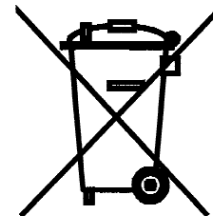
7.2) Afvalverwerking

Wanneer de levensduur van dit product ten einde is, dienen de ontmantelingswerkzaamheden, zoals dit ook bij de installatiewerkzaamheden het geval is, door gekwalificeerd personeel uitgevoerd te worden. Dit product bestaat uit verschillende soorten materialen, waarvan sommige gerecycleerd kunnen worden. Win inlichtingen over de methoden van hergebruik of afvalverwerking in en houd u aan de plaatselijk van kracht zijnde voorschriften.

⚠ Sommige delen van het product kunnen vervuilde of gevaarlijke stoffen bevatten; als die in het milieu terecht zouden komen, zouden ze schadelijke gevolgen voor het milieu en de menselijke gezondheid kunnen veroorzaken.

Zoals u kunt zien aan het symbool op afbeelding is het verboden dit product met het gewone huisvuil weg te gooien. Scheid uw afval voor verwerking op een manier zoals die in de plaatselijke regelgeving voorzien is; of lever het product bij uw leverancier in wanneer u een nieuw gelijksoortig product koopt.

De plaatselijke regelgeving kan in zware straffen voorzien in geval van illegale dumping van dit product.



8) Accessoires

Voor **A6 – A6F – A700F** zijn onderstaande accessoires apart verkrijgbaar:

KAART “PIU”

De besturingseenheid bevat reeds alle functies die in een normale installatie worden gebruikt, maar om tegemoet te komen aan de eisen bij speciale installaties is er een speciale kaart “Kaart PIU” apart verkrijgbaar waarmee het mogelijk is nieuwe functies zoals de signalering met verkeerslichten, gebruikerslicht, zuignap, Foto2, gedeeltelijke opening van de 2 vleugels.

KAART “RADIO”

In de besturingseenheid is een insteekcontact NICE voor het aanbrengen van een radiokaart waarmee het mogelijk is via de ingang STAP-VOOR-STAP de besturingseenheid op afstand via een zender aan te sturen.

Raadpleeg de productencatalogus van Nice S.p.a. voor een volledig en bijgewerkt overzicht van de accessoires.

9) Technische gegevens

Teneinde haar producten steeds meer te vervolmaken behoudt NICE S.p.a. zich het recht voor op elk gewenst moment en zonder voorbericht wijzigingen in haar producten aan te brengen, waarbij functionaliteit en gebruiksbestemming echter gehandhaafd blijven.

Alle technische gegevens hebben betrekking op een omgevingstemperatuur van 20°C (±5°C).

Model:	A6 -A6/V1	A6F -A6F/V1	A700F -A700F/V1
Stroomvoorziening A6 – A6F – A700F	230 Vac ± 10%, 50 - 60 Hz		
Stroomvoorziening A6/V1 – A6F/V1 – A700F/V1	120 Vac ± 10%, 50 - 60 Hz		
Maximumvermogen aandrijvingen 230 Vac	300 W [1,3 A]		
Maximumvermogen aandrijvingen / V1 120 Vac	300 W [2,5 A]		
Maximumvermogen knipperlicht	100W		
Max. aantal cycli per uur	onbeperkt		
Max. aantal opeenvolgende cycli	onbeperkt		
Max.stroom neveninrichtingen (24 Vac)	200 mA		
Maximale stroom uitgang fototest (24 Vac)	/	/	100 mA
Maximumvermogen lampje SCA (24Vac)	2 W		
Maximumvermogen elektrisch slot (12 Vac)	/	15 VA	15 VA
Bedrijfstijd	van 2,5 tot 40 sec. (van 30 tot 80 sec. met TLM)		
Pausetijd	van 5 tot 80 sec.		
Duur van vertraging opening TRA	0 of van 2.5 tot 12 sec.		
Duur van vertraging sluiting TRC	0 of van 2.5 tot 12 sec.		
Afstelling van de kracht	van 0 tot 100 %	30%-45%-60%-80%-100%	
Bedrijfstemperatuur	-20 ÷ 50 °C		
Afmetingen	280 x 220 x 110 mm		
Gewicht	1,7 Kg	2,7 Kg	2,7 Kg
Beschermingsklasse	IP 55 (box intact)		

Aanwijzingen en aanbevelingen bestemd voor de gebruiker van A6 –A6F –A700F

Proficiat met de keuze van een product Nice voor uw automatisering! Nice S.p.a. produceert componenten voor het automatiseren van poorten, deuren, rolpoorten, rolluiken en zonwering: reductiemotors, besturingseenheden, afstandsbedieningen, waarschuwingslichten, fotocellen en accessoires. Nice gebruikt uitsluitend kwaliteitsmateriaal en -bewerkingen, en geroepen als zij zich voelt, zoekt ze naar vernieuwende oplossingen die haar apparaten - verzorgd in de technische esthetische en ergonomische aspecten - zo gebruiksvriendelijk mogelijk maakt: in het uitgebreide programma van Nice zal uw installateur ongetwijfeld dat product uitgekozen hebben dat het meest aan uw eisen beantwoordt. Nice is echter niet de fabrikant van uw automatiseringsinstallatie, die daarentegen het resultaat is van analyse, evaluatie, keuze van materialen, en het aanleggen daarvan door uw vertrouwensinstallateur. Elke automatisering is uniek en alleen uw installateur bezit de ervaring en het vakmanschap dat nodig is om een installatie volgens uw verlangens uit te voeren, veilig en betrouwbaar in de tijd, en vooral volgens de regelen der kunst, dat wil zeggen conform de geldende voorschriften. Een automatiseringsinstallatie is een groot gemak, een waardevol veiligheidssysteem en kan met een beetje aandacht tot in lengte van dagen duren.

Ook al beantwoordt de automatisering in uw bezit aan het in normen en wetten voorgeschreven veiligheidsniveau, dit sluit niet uit dat er een "restrisico" bestaat, dat wil zeggen de mogelijkheid dat er gevaarlijke situaties kunnen ontstaan, die gewoonlijk te wijten zijn aan onverantwoordelijk of zelfs verkeerd gebruik; hierom willen wij u enige adviezen geven hoe u met de automatisering dient om te gaan teneinde elk eventueel probleem te voorkomen:

• **Voordat u de automatisering voor de eerste maal gaat gebruiken**, is het raadzaam u door de installateur te laten uitleggen waar de restrisico's ontstaan, en enkele minuten van uw tijd te besteden aan het lezen van deze handleiding met **aanwijzingen en aanbevelingen voor de gebruiker** die de installateur u overhandigd heeft. Bewaar deze handleiding voor eventuele toekomstige twijfels en geef haar aan een eventuele nieuwe eigenaar van de automatisering.

• **Uw automatisering is een machine die getrouwelijk uw instructies opvolgt**; onverantwoordelijk en oneigenlijk gebruik kan maken dat het een gevaarlijke machine wordt: laat de automatisering niet werken als er zich mensen, dieren of zaken binnen haar bereik bevinden.

• **Kinderen**: een automatiseringsinstallatie biedt een hoge graad van veiligheid, doordat ze met haar beveiligingssystemen de manoeuvre bij aanwezigheid van mensen of zaken onderbreekt en altijd een voorspelbare en veilige activering garandeert. Het is in ieder geval verstandig kinderen te verbieden in de buurt van de installatie te spelen en de afstandsbedieningen buiten hun bereik te houden om te voorkomen dat de installatie per ongeluk in werking komt: **het is geen speelgoed!**

• **De fotocellen zijn geen veiligheidsinrichting** maar vormen slechts een hulpinrichting voor de veiligheid. Zij zijn vervaardigd op basis van de meest betrouwbare technologie, maar kunnen onder extreme omstandigheden storingen vertonen of zelfs defect raken en het zou zelfs kunnen voorkomen dat het defect niet onmiddellijk zichtbaar is.

Daarom, en als goed gebruik:

- is doorgang alleen toegestaan als de poort of de deur **helemaal open staat en de vleugels tot stilstand zijn gekomen**.
- IS HET TEN STRENGSTE VERBODEN door de poort of deur te gaan terwijl de poort of deur dicht gaat!

Controleer geregeld of de fotocellen correct werken en laat tenminste elk half jaar de voorziene onderhoudscontroles verrichten.

• **Storingen**: Zodra u constateert dat de automatiseringsinstallatie niet werkt zoals ze dat zou moeten doen, dient u de stroomtoevoer naar de installatie te onderbreken en haar handmatig te ontgrendelen. Probeer niet zelf te repareren, maar roep de hulp

van uw vertrouwensinstallateur in: intussen kan de installatie werken als een niet geautomatiseerde toegang.

• **Onderhoud**: Zoals elke machine heeft uw installatie periodiek onderhoud nodig om haar zo lang mogelijk en geheel veilig te laten werken. Stel met uw installateur een onderhoudsplan met periodieke frequentie op; Nice raadt bij normaal gebruik bij een woning een onderhoudsbezoek om het half jaar aan, maar dit tijdsbestek kan variëren in functie van een meer of minder intensief gebruik. Alle controle-, onderhouds- of reparatiewerkzaamheden mogen uitsluitend door gekwalificeerd personeel worden uitgevoerd.

• Ook al bent u van mening dit te kunnen doen, breng geen wijzigingen aan de installatie en de programmerings- en afstellingsparameters van uw automatiseringsinstallatie aan: uw installateur is aansprakelijk.

• De eindtest, de periodieke onderhoudswerkzaamheden en de eventuele reparatiewerkzaamheden dienen gedocumenteerd te worden door wie die uitvoert en de documenten dienen door de eigenaar van de installatie bewaard te worden.

De enige werkzaamheden die de gebruiker regelmatig kan en moet uitvoeren zijn het reinigen van de glaasjes van de fotocellen en het verwijderen van bladeren en stenen die het automatisme in diens werking kunnen belemmeren. Om te voorkomen dat iemand de deur in beweging kan brengen dient u eraan te denken voordat u dit gaat doen **het automatisme te ontgrendelen** en voor het schoonmaken alleen een enigszins vochtige in water gedrenkte doek te gebruiken.

• **Afvalverwerking**: Als de automatisering niet meer gebruikt kan worden, dient u zich ervan te vergewissen dat de sloop daarvan door gekwalificeerd personeel wordt uitgevoerd en dat het materiaal volgens de plaatselijk geldende voorschriften wordt hergebruikt of naar de afvalverwerking wordt gezonden.

• **In geval van defecten of stroomuitval**: In afwachting van het bezoek van uw installateur, (of het terugkeren van de elektrische stroom als de installatie niet van bufferbatterijen voorzien is), mag de installatie gebruikt worden als elke andere niet-geautomatiseerde toegang. Hiertoe dient u de automatisering handmatig te ontgrendelen: aan deze handeling, die de enige is die de gebruiker van de automatisering mag uitvoeren, heeft Nice bijzonder veel aandacht besteed om u altijd een maximum aan gebruiksvriendelijkheid te garanderen, zonder dat u gereedschap moet gebruiken of fysieke kracht moet aanwenden.

• **Vervanging van de batterij van de afstandsbediening**: als uw afstandsbediening na enige tijd minder lijkt te werken, of helemaal niet te werken, zou dit eenvoudigweg kunnen komen omdat de batterij leeg is (afhankelijk van het type daarvan kan dat na verschillende maanden of na twee/drie jaar zijn). U kunt dit zien doordat het waarschuwinglampje dat de doorzending bevestigt, zwak brandt, of helemaal niet brandt, of slechts eventjes brandt. Voordat u zich tot de installateur wendt kunt u proberen de batterij van een andere zender die wél werkt, in te zetten: als dit de oorzaak van de storing is, hoeft u alleen maar een nieuwe batterij van hetzelfde type in te zetten. De batterijen bevatten vervuulende stoffen: gooi ze niet met het gewone huisvuil weg, maar gebruik de methoden die in de plaatselijke voorschriften voorzien zijn.

Bent u tevreden? Indien u in uw huis nog een nieuwe automatiseringsinstallatie zou willen, kunt u zich, wanneer u zich tot dezelfde installateur en Nice wendt, van de adviezen van een specialist en de meest geavanceerde producten op de markt verzekeren. Het resultaat: een automatisering die het best functioneert en een maximale compatibiliteit met de andere automatiseringen. Wij bedanken u voor het lezen van deze aanbevelingen, en wij hopen dat u veel plezier van uw nieuwe installatie zult hebben: wend u voor elke vraag, nu of in de toekomst, vol vertrouwen tot uw installateur.

Declaration of conformity / Declaration of Conformity

Dichiarazione CE di conformità secondo Direttiva 98/37/CE, Allegato II, parte B (dichiarazione CE di conformità del fabbricante)
CE Declaration of Conformity according to Directive 98/37/EC, Annex II, part B

Nota: Il contenuto di questa dichiarazione corrisponde a quanto dichiarato nel documento ufficiale, depositato presso la sede di Nice S.p.a., e in particolare all'ultima revisione disponibile prima della stampa del presente manuale. Il testo qui presente è stato riadattato per motivi editoriali.

Notes: The content of the present declaration corresponds to the latest available revision, before the printing of the present manual, of the document registered at the head offices of Nice S.p.a.. The original text of this manual has been readapted for publishing reasons.

Numero / Number: 104/A700F

Revisione / Revision: 4

Il sottoscritto Lauro Buoro in qualità di Amministratore Delegato, dichiara sotto la propria responsabilità che il prodotto:
The undersigned Lauro Buoro, managing director, declares under his sole responsibility that the following product:

Nome produttore / <i>Manufacturer's name</i>	NICE s.p.a.
Indirizzo / <i>Address</i>	Via Pezza Alta 13, 31046 Z.I. Rustignè, Oderzo (TV) Italia
Tipo / <i>Type</i>	Centrale di comando a 2 motori 230Va.c. Control Unit for 2 motors 230Va.c.
Modello / <i>Models</i>	A700F – A700F/V1 – A6F – A6F/V1 – A6 – A6/V1
Accessori / <i>Accessories</i>	Ricevitore radio mod. K, BIO, FLO, FLOR; Scheda PIU K, BIO, FLO, FLOR radio receiver; Board PIU

Risulta conforme a quanto previsto dalla direttiva comunitaria: / *Satisfies the essential requirements of the following Directives:*

- 98/37/CE (89/392/CEE modificata) DIRETTIVA 98/37/CE DEL PARLAMENTO EUROPEO E DEL CONSIGLIO del 22 giugno 1998 concernente il ravvicinamento delle legislazioni degli Stati membri relative alle macchine.
98/37/CE (ex 89/392/EEC) DIRECTIVE 98/37/EC OF THE EUROPEAN PARLIAMENT AND OF THE COUNCIL of June 22, 1998, for the harmonisation of the legislations of member States regarding machines.

Come previsto dalla direttiva 98/37/CE si avverte che non è consentita la messa in servizio del prodotto sopra indicato finché la macchina, in cui il prodotto è incorporato, non sia stata identificata e dichiarata conforme alla direttiva 98/37/CE.

As specified in the 98/37/EC directive, the use of the product specified above is not admitted until the machine in which it is incorporated has been identified and declared as conforming to the 98/37/EC directive.

Inoltre il prodotto risulta conforme a quanto previsto dalle seguenti direttive comunitarie, così come modificate dalla Direttiva 93/68/CEE del consiglio del 22 Luglio 1993:

Furthermore, the product complies with the specifications of the following EC directives, as amended by the directive 93/68/EEC of the European Council of 22 July 1993:

- 73/23/CEE DIRETTIVA 73/23/CEE DEL CONSIGLIO del 19 febbraio 1973 concernente il riavvicinamento delle legislazioni degli Stati membri relative al materiale elettrico destinato ad essere adoperato entro taluni limiti di tensione.
73/23/EEC DIRECTIVE 73/23/EEC OF THE COUNCIL of February 19, 1973 for the harmonisation of the legislations of member States regarding electrical equipment designed to be used within certain voltage limits.

Secondo le seguenti norme armonizzate: EN 60335-1.

In compliance with the following harmonised standards: EN 60335-1.

- 89/336/CEE DIRETTIVA 89/336/CEE DEL CONSIGLIO del 3 maggio 1989, per il riavvicinamento delle legislazioni degli Stati membri relative alla compatibilità elettromagnetica.
89/336/EEC DIRECTIVE 89/336/EEC OF THE COUNCIL of May 3, 1989, for the harmonisation of the legislations of member States regarding electromagnetic compatibility.

Secondo le seguenti norme armonizzate: EN 61000-6-2:2005; EN 61000-6-3:2001+A11:2004

In compliance with the following harmonised standards: EN 61000-6-2:2005; EN 61000-6-3:2001+A11:2004

Inoltre risulta conforme, limitatamente per le parti applicabili, alle seguenti norme: EN 60335-1:2002+A1:2004+A11:2004, EN 60335-2-103:2003, EN 13241-1:2003; EN 12453:2002; EN 12445:2002; EN 12978:2003.

It also complies, within the constraints of applicable parts, with the following standards: EN 60335-1:2002+A1:2004+A11:2004, EN 60335-2-103:2003, EN 13241-1:2003; EN 12453:2002; EN 12445:2002; EN 12978:2003.

Oderzo, 7 Marzo 2007
Oderzo, 7 march 2007


Amministratore Delegato
Managing Director
Lauro Buoro



Nice

Headquarter

Nice SpA

Oderzo TV Italia
Tel. +39.0422.85.38.38
Fax +39.0422.85.35.85
info@niceforyou.com

Nice in Italy

Nice Padova

Sarmeola di Rubano PD Italia
Tel. +39.049.89.78.93.2
Fax +39.049.89.73.85.2
infopd@niceforyou.com

Nice Roma

Roma Italia
Tel. +39.06.72.67.17.61
Fax +39.06.72.67.55.20
inforoma@niceforyou.com

Nice worldwide

Nice France

Buchelay
Tel. +33.(0)1.30.33.95.95
Fax +33.(0)1.30.33.95.96
info@fr.niceforyou.com

Nice Rhône-Alpes

Decines Charpieu France
Tel. +33.(0)4.78.26.56.53
Fax +33.(0)4.78.26.57.53
info@alps.niceforyou.com

Nice France Sud

Aubagne France
Tel. +33.(0)4.42.62.42.52
Fax +33.(0)4.42.62.42.50
infomarseille@fr.niceforyou.com

Nice Belgium

Leuven (Heverlee)
Tel. +32.(0)16.38.69.00
Fax +32.(0)16.38.69.01
info@be.niceforyou.com

Nice España Madrid

Tel. +34.9.16.16.33.00
Fax +34.9.16.16.30.10
info@es.niceforyou.com

Nice España Barcelona

Tel. +34.9.35.88.34.32
Fax +34.9.35.88.42.49
info@es.niceforyou.com

Nice Polska

Pruszków
Tel. +48.22.728.33.22
Fax +48.22.728.25.10
info@pl.niceforyou.com

Nice UK

Chesterfield
Tel. +44.87.07.55.30.10
Fax +44.87.07.55.30.11
info@uk.niceforyou.com

Nice Turkey

Istanbul
info@tr.niceforyou.com

Nice Romania

Cluj Napoca
Tel/Fax +40.264.45.31.27
info@ro.niceforyou.com

Nice Deutschland

Gelnhausen-Hailer
Tel. +49.60.51.91.52-0
Fax +49.60.51.91.52-119
info@de.niceforyou.com

Nice China

Shanghai
Tel. +86.21.575.701.46
+86.21.575.701.45
Fax +86.21.575.701.44
info@cn.niceforyou.com

Nice USA Inc.

Jacksonville, Fl.
Tel. +001.904.786.7133
Fax +001.904.786.7640
info@us.niceforyou.com