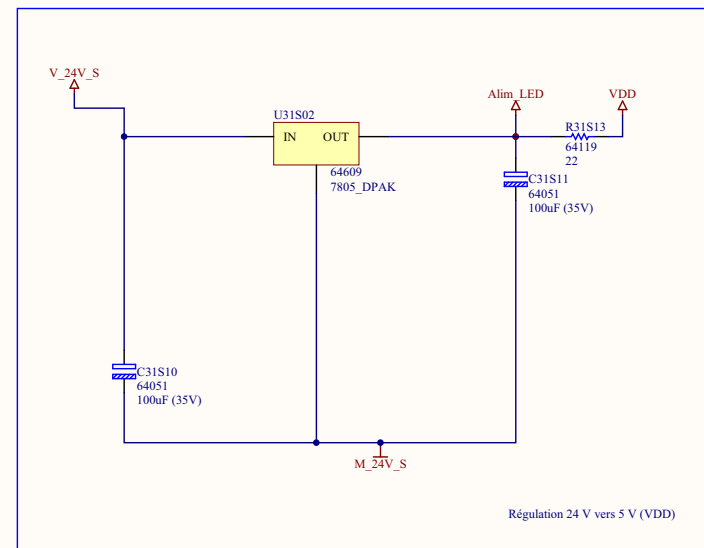


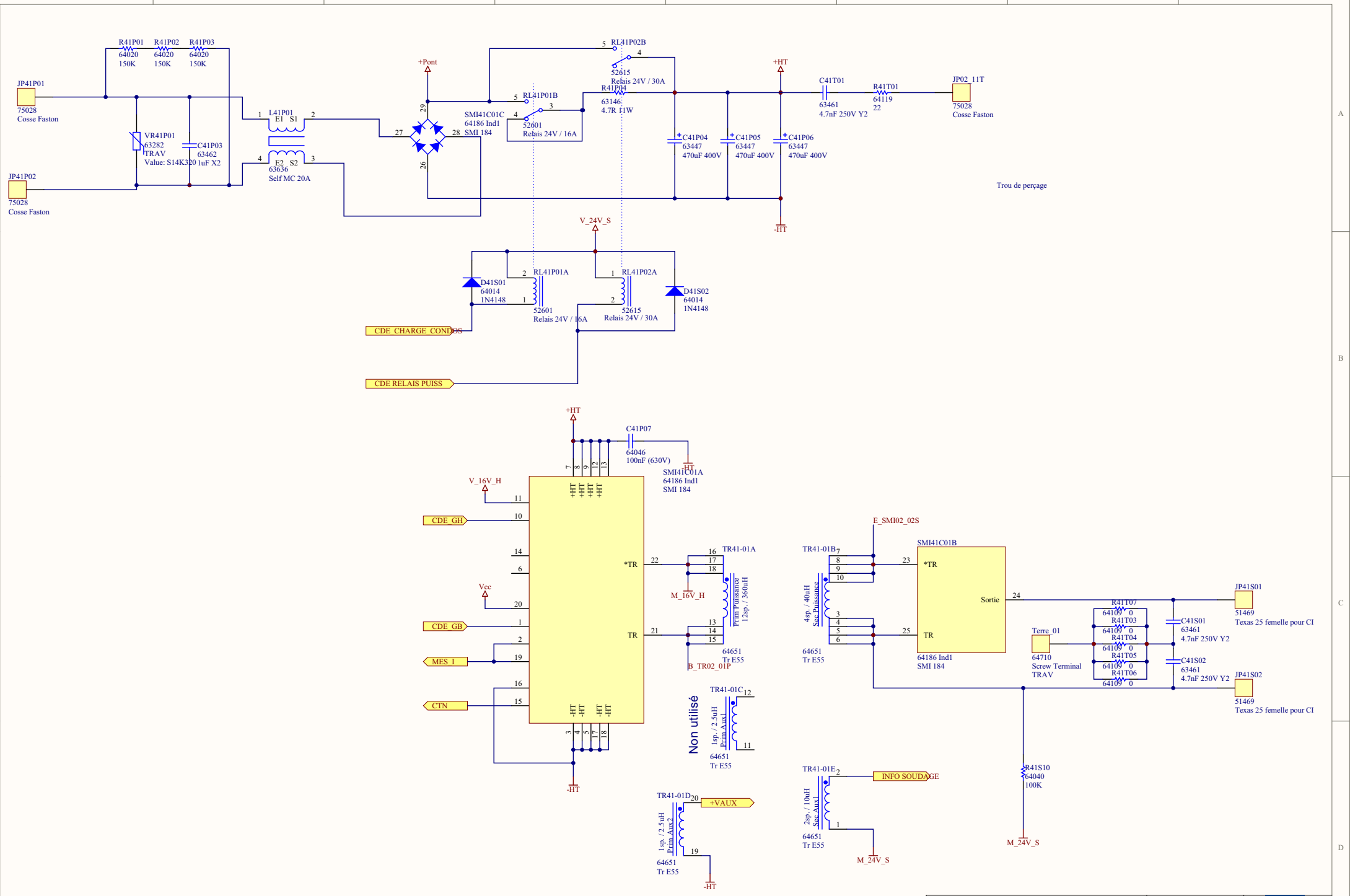
Laisser R07_22S en 1206 pour pouvoir changer eventuellement la valeur

Info_Secteur = Vsecteur max / 2.5
 Info_Soudage = Vmoy_soudage x 4.474
 Sortie Soudage = Usortie x 0.9
 Sortie Soudage = 6.15 mA x Rsortie => si 1k nous Us > 6V
 Sortie Soudage = 0.16 x Rsortie

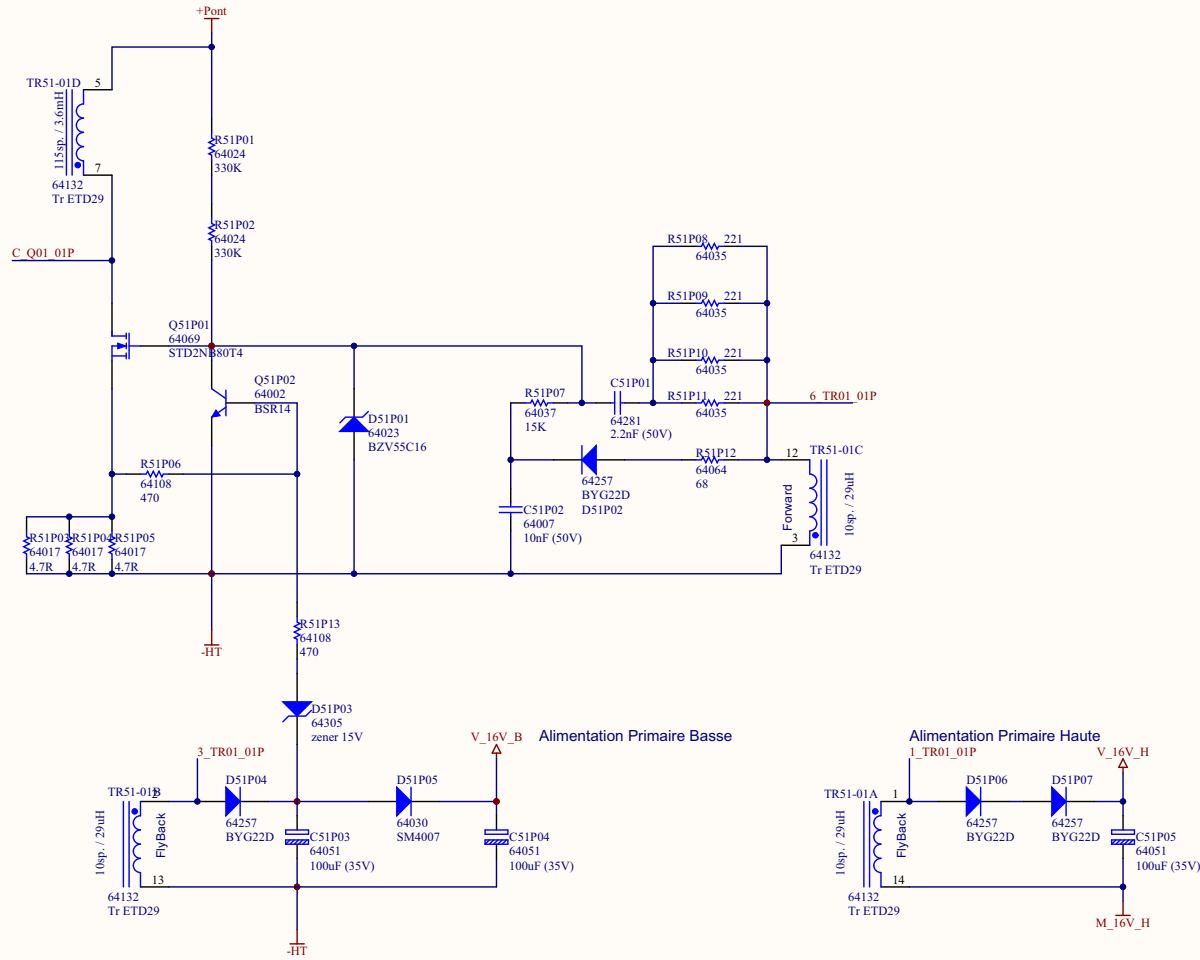
Potentiel patte 1 (UC3845) = Is / 120 + 1.4
 Si 0 A => Patte 1 = 1.4
 Si 50 A => Patte 1 = 1.8
 Si 100 A => Patte 1 = 2.2
 Si 160 A => Patte 1 = 2.73



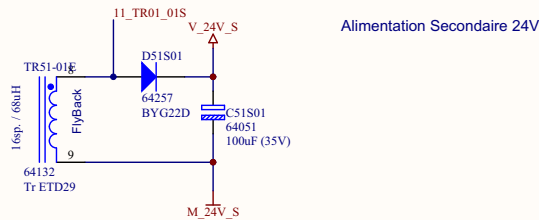
Régulation 24 V vers 5 V (VDD)



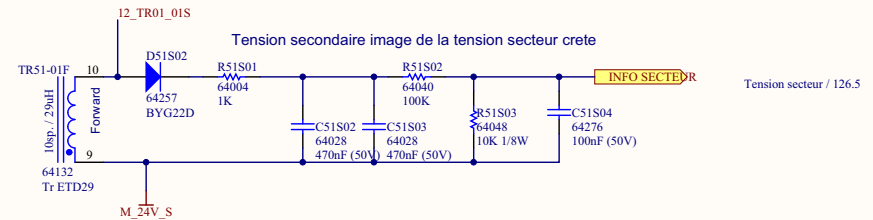
Primaire



Secondaire



Alimentation Secondaire 24V



Tension secondaire image de la tension secteur crete

Tension secteur / 126.5

GYSMI 161 – Electronics Bill of Material – PCB Index 9.2

Location	GYS Reference	Designation	
C11S01	64276	100nF 50V 10% X7R	CAP 100nF (50V)_64276_0603
C11S02	64276	100nF 50V 10% X7R	CAP 100nF (50V)_64276_0603
C11S03	64276	100nF 50V 10% X7R	CAP 100nF (50V)_64276_0603
C12P01	64028	470nF 50V 20% Y5V	CAP 470nF (50V)_64028
C12P02	64029	1µF 16V 20% Y5V	CAP 1µF (16V)_64029
C13P01	64028	470nF 50V 20% Y5V	CAP 470nF (50V)_64028
C13P02	64006	100nF 50V 10% X7R	CAP 100nF (50V)_64006
C13P03	64006	100nF 50V 10% X7R	CAP 100nF (50V)_64006
C13P04	64007	10nF 50V 10% X7R	CAP 10nF (50V)_64007
C13P05	64028	470nF 50V 20% Y5V	CAP 470nF (50V)_64028
C13P06	64028	470nF 50V 20% Y5V	CAP 470nF (50V)_64028
C13P07	64006	100nF 50V 10% X7R	CAP 100nF (50V)_64006
C13P08	64276	100nF 50V 10% X7R	CAP 100nF (50V)_64276_0603
C21P02	64281	2.2 nF 50V 5% NPO	CAP 2.2nF (50V)_64281
C21P03	64007	10nF 50V 10% X7R	CAP 10nF (50V)_64007
C21P04	64007	10nF 50V 10% X7R	CAP 10nF (50V)_64007
C21P07	64007	10nF 50V 10% X7R	CAP 10nF (50V)_64007
C21P08	64061	3n3F 50V 5% NPO	CAP 3n3F (50V)_64061
C21P09	64044	47nF 50V 10% X7R	CAP 47nF (50V)_64044
C21P10	64044	47nF 50V 10% X7R	CAP 47nF (50V)_64044
C21P11	64029	1µF 16V 20% Y5V	CAP 1µF (16V)_64029
C21P12	64006	100nF 50V 10% X7R	CAP 100nF (50V)_64006
C21P13	64028	470nF 50V 20% Y5V	CAP 470nF (50V)_64028
C21P14	64051	100µF 35V 85°C 20%	CAP 100µF (35V)_64051
C21P15	64028	470nF 50V 20% Y5V	CAP 470nF (50V)_64028
C21P16	64006	100nF 50V 10% X7R	CAP 100nF (50V)_64006
C21P17	64006	100nF 50V 10% X7R	CAP 100nF (50V)_64006
C21P18	64028	470nF 50V 20% Y5V	CAP 470nF (50V)_64028
C21P19	64007	10nF 50V 10% X7R	CAP 10nF (50V)_64007
C31S01	64276	100nF 50V 10% X7R	CAP 100nF (50V)_64276_0603
C31S02	64276	100nF 50V 10% X7R	CAP 100nF (50V)_64276_0603
C31S03	64276	100nF 50V 10% X7R	CAP 100nF (50V)_64276_0603
C31S04	64276	100nF 50V 10% X7R	CAP 100nF (50V)_64276_0603
C31S05	64276	100nF 50V 10% X7R	CAP 100nF (50V)_64276_0603
C31S06	64280	10nF 50V 10% X7R	CAP 10nF (50V)_64280_0603
C31S07	64280	10nF 50V 10% X7R	CAP 10nF (50V)_64280_0603
C31S08	64008	1 nF 50V 10% X7R	CAP 1nF (50V)_64008
C31S09	64280	10nF 50V 10% X7R	CAP 10nF (50V)_64280_0603
C31S10	64051	100µF 35V 85°C 20%	CAP 100µF (35V)_64051
C31S11	64051	100µF 35V 85°C 20%	CAP 100µF (35V)_64051
C41P03	63462		C 1uF X2 63462
C41P04	63447		C 470uF 400V SnapIn 63447
C41P05	63447		C 470uF 400V SnapIn 63447
C41P06	63447		C 470uF 400V SnapIn 63447
C41P07	64046	100nF 630V X7R	CAP 100nF (630V)_64046_1812
C41S01	63461		C 4.7nF Y 63461
C41S02	63461		C 4.7nF Y 63461
C41T01	63461		C 4.7nF Y 63461
C51P01	64281	2.2 nF 50V 5% NPO	CAP 2.2nF (50V)_64281
C51P02	64007	10nF 50V 10% X7R	CAP 10nF (50V)_64007
C51P03	64051	100µF 35V 85°C 20%	CAP 100µF (35V)_64051
C51P04	64051	100µF 35V 85°C 20%	CAP 100µF (35V)_64051
C51P05	64051	100µF 35V 85°C 20%	CAP 100µF (35V)_64051
C51S01	64051	100µF 35V 85°C 20%	CAP 100µF (35V)_64051

C51S02	64028	470nF 50V 20% Y5V	CAP 470nF (50V)_64028
C51S03	64028	470nF 50V 20% Y5V	CAP 470nF (50V)_64028
C51S04	64276	100nF 50V 10% X7R	CAP 100nF (50V)_64276_0603
CN11S01	64256		Connecteur ventilateur
CN31S01	64706		CN nappe 10 PINS_53103
D13S01	64036	BZV55C5.6 500mW	ZEN 5.6V_64036
D21P01	64023	BZV55C16 500mW	ZEN 16V_64023
D21P02	64026	BAT42W 0.2A 30V	DIODE BAT42W_64026
D21P03	64026	BAT42W 0.2A 30V	DIODE BAT42W_64026
D21P04	64023	BZV55C16 500mW	ZEN 16V_64023
D21P05	64026	BAT42W 0.2A 30V	DIODE BAT42W_64026
D31S01	64257	BYG22D 2A 200V	DIODE BYG22D_64257
D31S02	64750	LED CMS Verte	LED CMS Verte 64750
D31S03	64751	LED CMS Jaune	LED CMS Jaune 64751
D41S01	64014	1N4148W 100V 1.15A	DIODE 1N4148_64014
D41S02	64014	1N4148W 100V 1.15A	DIODE 1N4148_64014
D51P01	64023	BZV55C16 500mW	ZEN 16V_64023
D51P02	64257	BYG22D 2A 200V	DIODE BYG22D_64257
D51P03	64305	MMSZ524BT1G	ZEN 15V_64305
D51P04	64257	BYG22D 2A 200V	DIODE BYG22D_64257
D51P05	64030	SM4007 1A 1000V	DIODE SM4007_64030
D51P06	64257	BYG22D 2A 200V	DIODE BYG22D_64257
D51P07	64257	BYG22D 2A 200V	DIODE BYG22D_64257
D51S01	64257	BYG22D 2A 200V	DIODE BYG22D_64257
D51S02	64257	BYG22D 2A 200V	DIODE BYG22D_64257
JP02_11T	75028		Faston_75028
JP41P01	75028		Faston_75028
JP41P02	75028		Faston_75028
JP41S01	51469		Texas 25 CI 51469
JP41S02	51469		Texas 25 CI 51469
L41P01	63636		Self MC
Q11S01	64002	BSR14 NPN 0.6A 40V	TRANS BIP NPN BSR14_64002
Q11S02	64002	BSR14 NPN 0.6A 40V	TRANS BIP NPN BSR14_64002
Q11S03	64002	BSR14 NPN 0.6A 40V	TRANS BIP NPN BSR14_64002
Q11S04	64107	BDP950 PNP 3A 65V	TRANS BIP PNP BDP950_64107
Q12P01	64001	BSR16 PNP 0.6A 60V	TRANS BIP PNP BSR16_64001
Q12P02	64269	2N7002 0.3A 60V 5.3R	MOS_2N7002_64269
Q12P03	64612	BSS84P 8 -0.17A -60V	MOS_BSS84P_64612
Q12S01	64002	BSR14 NPN 0.6A 40V	TRANS BIP NPN BSR14_64002
Q13P01	64002	BSR14 NPN 0.6A 40V	TRANS BIP NPN BSR14_64002
Q13P02	64269	2N7002 0.3A 60V 5.3R	MOS_2N7002_64269
Q13P03	64002	BSR14 NPN 0.6A 40V	TRANS BIP NPN BSR14_64002
Q13S01	64002	BSR14 NPN 0.6A 40V	TRANS BIP NPN BSR14_64002
Q21P01	64001	BSR16 PNP 0.6A 60V	TRANS BIP PNP BSR16_64001
Q51P01	64069	STD2NB80T4 1.9A 800V	MOS_STD2NB80T4_64069
Q51P02	64002	BSR14 NPN 0.6A 40V	TRANS BIP NPN BSR14_64002
Q214P02	64002	BSR14 NPN 0.6A 40V	TRANS BIP NPN BSR14_64002
Q214P03	64002	BSR14 NPN 0.6A 40V	TRANS BIP NPN BSR14_64002
Q214P04	64002	BSR14 NPN 0.6A 40V	TRANS BIP NPN BSR14_64002
R07_58	64005	22K 1% 1/4W	RES 22K_64005
R11S01	64359	4K75 1% 1/8W	RES 10K_0805_64048
R11S02	64048	10K 1% 1/8W	RES 10K_0805_64048
R11S03	64352	1K 1% 1/8W	RES 10K_0805_64048
R11S04	64048	10K 1% 1/8W	RES 10K_0805_64048
R11S05	64048	10K 1% 1/8W	RES 10K_0805_64048
R11S06	64048	10K 1% 1/8W	RES 10K_0805_64048
R11S07	64021	3.3K 1% 1/4W	RES 3K3_64021
R11S08	64011	10K 1% 1/4W	RES 10K_1206_64011

R12P01	64108	470R 1% 1/4W	RES 470R_64108
R12P02	64003	680R 1% 1/4W	RES 680R_64003
R12P03	64015	100R 1% 1/4W	RES 100R_64015
R12P04	64015	100R 1% 1/4W	RES 100R_64015
R12P05	64011	10K 1% 1/4W	RES 10K_1206_64011
R12P06	64109	0E 1% 1/4W	RES 0R_64109
R12S01	64013	4K75 1% 1/4W	RES 4.75K_64013
R12S03	64010	2.21K 1% 1/4W	RES 2.21K_64010
R13P01	64010	2.21K 1% 1/4W	RES 2.21K_64010
R13P02	64010	2.21K 1% 1/4W	RES 2.21K_64010
R13P03	64011	10K 1% 1/4W	RES 10K_1206_64011
R13P04	64011	10K 1% 1/4W	RES 10K_1206_64011
R13P05	64004	1K 1% 1/4W	RES 1K_64004
R13P06	64021	3.3K 1% 1/4W	RES 3K3_64021
R13P07	64010	2.21K 1% 1/4W	RES 2.21K_64010
R13P08	64011	10K 1% 1/4W	RES 10K_1206_64011
R13P09	64011	10K 1% 1/4W	RES 10K_1206_64011
R13P10	64010	2.21K 1% 1/4W	RES 2.21K_64010
R13P11	64010	2.21K 1% 1/4W	RES 2.21K_64010
R13P12	64012	10R 1% 1/4W	RES 10R_64012
R13P13	64011	10K 1% 1/4W	RES 10K_1206_64011
R13P14	64010	2.21K 1% 1/4W	RES 2.21K_64010
R13P15	64010	2.21K 1% 1/4W	RES 2.21K_64010
R13P16	64004	1K 1% 1/4W	RES 1K_64004
R13P17	64021	3.3K 1% 1/4W	RES 3K3_64021
R13P18	64010	2.21K 1% 1/4W	RES 2.21K_64010
R13P19	64048	10K 1% 1/8W	RES 10K_0805_64048
R13P21	64048	10K 1% 1/8W	RES 10K_0805_64048
R13P22	64048	10K 1% 1/8W	RES 10K_0805_64048
R13S01	64004	1K 1% 1/4W	RES 1K_64004
R13S02	64013	4K75 1% 1/4W	RES 4.75K_64013
R13S03	64048	10K 1% 1/8W	RES 10K_0805_64048
R13S04	64048	10K 1% 1/8W	RES 10K_0805_64048
R21P02	64064	68R 1% 1/4W	RES 68R_64064
R21P03	64018	47R 1% 1/4W	RES 47R_64018
R21P04	64017	4R7 1% 1/4W	RES 4.7R_64017
R21P05	64017	4R7 1% 1/4W	RES 4.7R_64017
R21P06	64017	4R7 1% 1/4W	RES 4.7R_64017
R21P07	64021	3.3K 1% 1/4W	RES 3K3_64021
R21P08	64040	100K 1% 1/4W	RES 100K_64040
R21P09	64040	100K 1% 1/4W	RES 100K_64040
R21P10	64012	10R 1% 1/4W	RES 10R_64012
R21P11	64353	2K7 1% 1/4W	RES 2K7_64353
R21P12	64021	3.3K 1% 1/4W	RES 3K3_64021
R21P13	64021	3.3K 1% 1/4W	RES 3K3_64021
R21P14	64015	100R 1% 1/4W	RES 100R_64015
R21P15	64015	100R 1% 1/4W	RES 100R_64015
R21P16	64013	4K75 1% 1/4W	RES 4.75K_64013
R21P17	64048	10K 1% 1/8W	RES 10K_0805_64048
R21P18	64013	4K75 1% 1/4W	RES 4.75K_64013
R21P19	64048	10K 1% 1/8W	RES 10K_0805_64048
R21P20	64053	68K 1% 1/4W	RES 68K_64053
R21P21	64013	4K75 1% 1/4W	RES 4.75K_64013
R21P22	64013	4K75 1% 1/4W	RES 4.75K_64013
R21P23	64048	10K 1% 1/8W	RES 10K_0805_64048
R21P24	64048	10K 1% 1/8W	RES 10K_0805_64048
R31S01	64033	47K 1% 1/4W	RES 47K_64033
R31S02	64048	10K 1% 1/8W	RES 10K_0805_64048

R31S04	64048	10K 1% 1/8W	RES 10K_0805_64048
R31S05	64048	10K 1% 1/8W	RES 10K_0805_64048
R31S06	63087		POTAR10K_63087
R31S07	64035	221R 1% 1/4W	RES 221R_64035
R31S08	64035	221R 1% 1/4W	RES 221R_64035
R31S09	64048	10K 1% 1/8W	RES 10K_0805_64048
R31S10	64048	10K 1% 1/8W	RES 10K_0805_64048
R31S12	64048	10K 1% 1/8W	RES 10K_0805_64048
R31S13	64119	22 1% 1/4W	RES 22R_64119
R41P01	64020	150K 1% 1/4W	RES 150K_64020
R41P02	64020	150K 1% 1/4W	RES 150K_64020
R41P03	64020	150K 1% 1/4W	RES 150K_64020
R41P04	63146		R 4.7R 11W 63146
R41S10	64040	100K 1% 1/4W	RES 100K_64040
R41T01	64119	22 1% 1/4W	RES 22R_64119
R41T03	64109	0E 1% 1/4W	RES 0R_64109
R41T04	64109	0E 1% 1/4W	RES 0R_64109
R41T05	64109	0E 1% 1/4W	RES 0R_64109
R41T06	64109	0E 1% 1/4W	RES 0R_64109
R41T07	64109	0E 1% 1/4W	RES 0R_64109
R51P01	64024	330K 1% 1/4W	RES 330K_64024
R51P02	64024	330K 1% 1/4W	RES 330K_64024
R51P03	64017	4R7 1% 1/4W	RES 4.7R_64017
R51P04	64017	4R7 1% 1/4W	RES 4.7R_64017
R51P05	64017	4R7 1% 1/4W	RES 4.7R_64017
R51P06	64108	470R 1% 1/4W	RES 470R_64108
R51P07	64037	15K 1% 1/4W	RES 15K_64037
R51P08	64035	221R 1% 1/4W	RES 221R_64035
R51P09	64035	221R 1% 1/4W	RES 221R_64035
R51P10	64035	221R 1% 1/4W	RES 221R_64035
R51P11	64035	221R 1% 1/4W	RES 221R_64035
R51P12	64064	68R 1% 1/4W	RES 68R_64064
R51P13	64108	470R 1% 1/4W	RES 470R_64108
R51S01	64004	1K 1% 1/4W	RES 1K_64004
R51S02	64040	100K 1% 1/4W	RES 100K_64040
R51S03	64048	10K 1% 1/8W	RES 10K_0805_64048
R121S02	64252	270R 1% 1/4W	RES 270R_64252
RL41P01	52601		Relais 12V / 16A
RL41P02	52615		Relais 24V / 30A
SMI41C01	64186 Ind1		SMI 184
Terre_01	64710		Screw Terminal_64710
TR41-01	64651		Transfo E55_64651
TR51-01	64132		Transfo ETD29 Auxilaire 20W_64132
U12-01	64055	SFH6156-2	OPTO_SF6156-2_64055
U13-01	64055	SFH6156-2	OPTO_SF6156-2_64055
U13P01	64611	Comparateur simple à collecteur ouvertLMV397	CI_LMV397_64611
U13P02	64611	Comparateur simple à collecteur ouvertLMV397	CI_LMV397_64611
U21P01	64060	UC3845B	CI_UC3845B_64060
U21P02	64079		CI_L6386_64079
U31S01	64805		uC_ST7LYTE0_64XXX
U31S02	64609	7805	CI_7805_64609
VR41P01	63282		VAR S14K320 63282