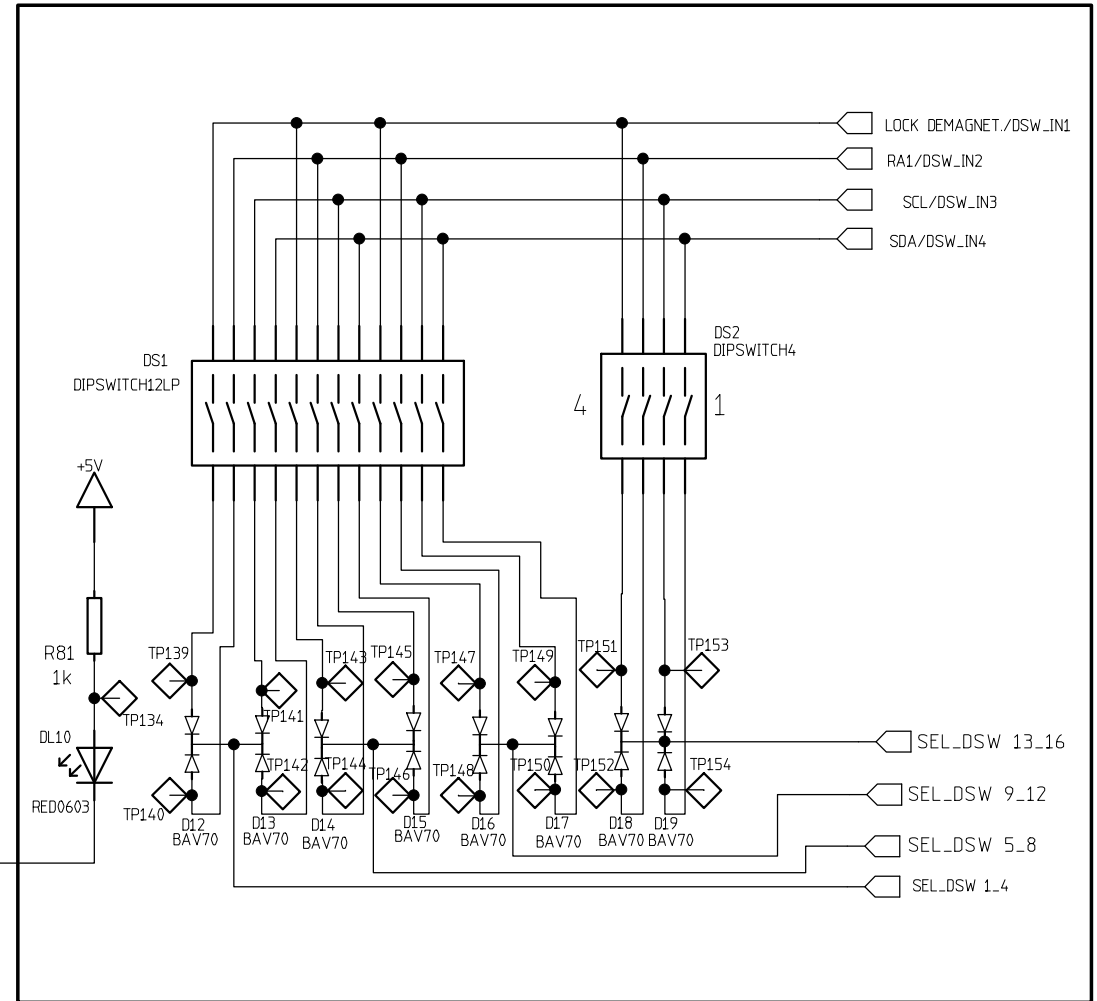
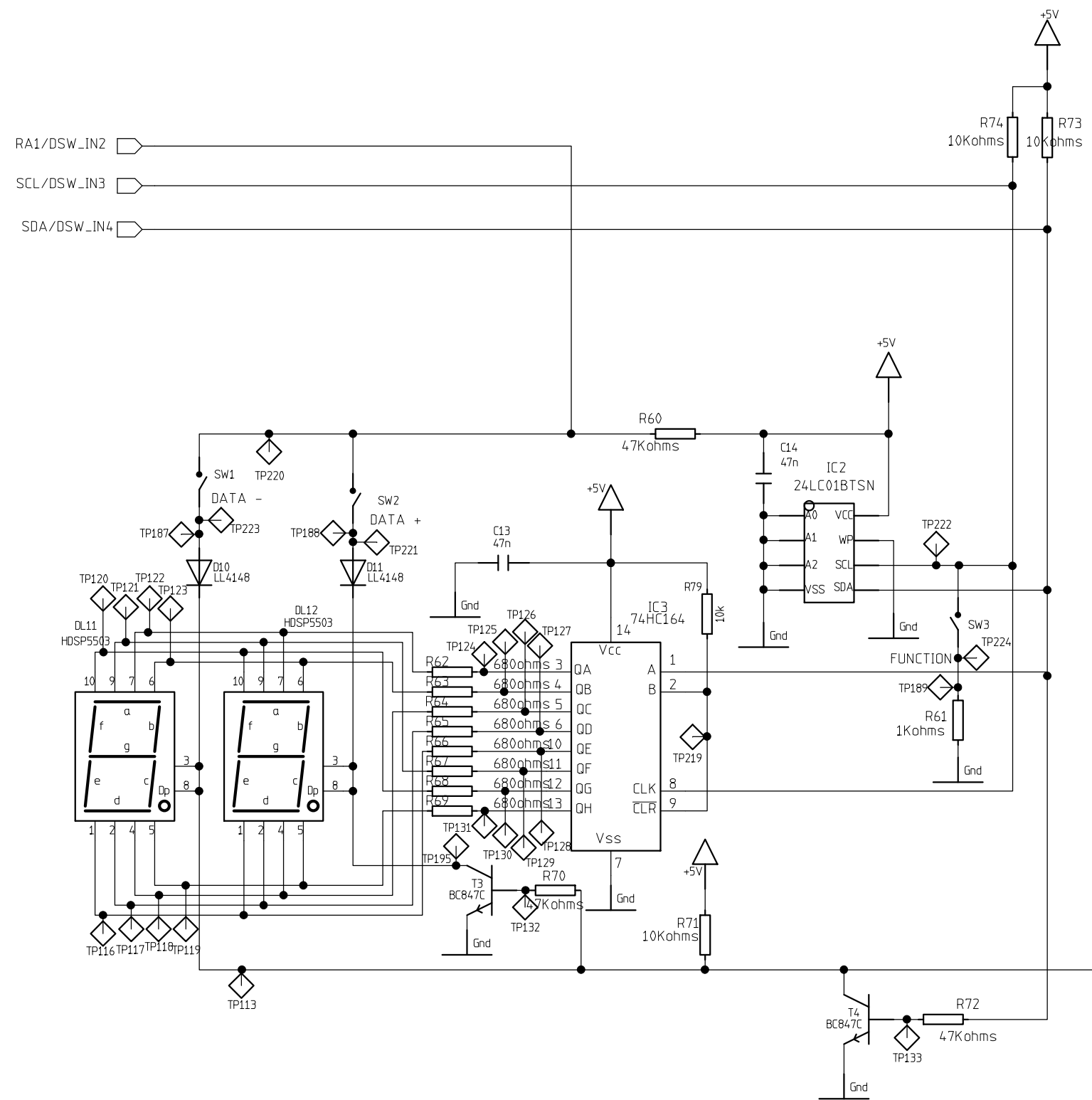
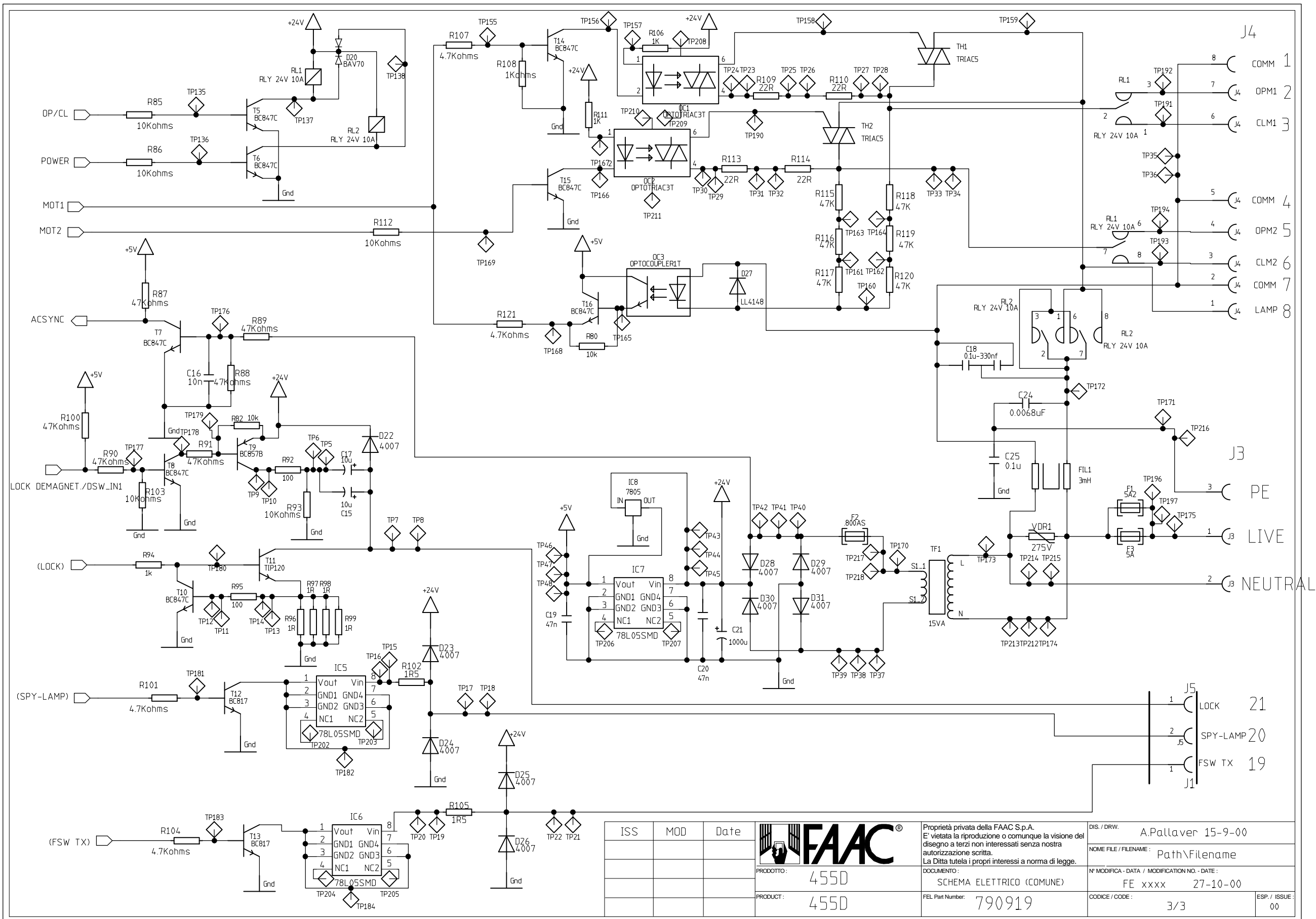


ISS	MOD	Date		Proprietà privata della FAAC S.p.A. È vietata la riproduzione o comunque la visione del disegno a terzi non interessati senza nostra autorizzazione scritta. La Ditta tutela i propri interessi a norma di legge.	DIS / DRW.	A.Pallaver 15-9-00		
					PRODOTTO:	455D	NOME FILE / FILENAME:	Path\Filename
					DOCUMENTO:	SCHEMA ELETTRICO (COMUNE)	N° MODIFICA - DATA / MODIFICATION NO. - DATE:	FE xxxx 27-10-00
			PRODUCT:	455D	FEL Part Number:	790919		
						CODICE / CODE:	1/3	
						ESP / ISSUE:	00	



ISS	MOD	Date	FAAC®	Proprietà privata della FAAC S.p.A. E' vietata la riproduzione o comunque la visione del disegno a terzi non interessati senza nostra autorizzazione scritta. La Ditta tutela i propri interessi a norma di legge.	DIS./DRW. A.Pallaver 15-9-00
			PRODOTTO: 455D	DOCUMENTO: SCHEMA ELETTRICO (COMUNE)	NOME FILE / FILENAME: Path\Filename
			PRODUCT: 455D	FEL Part Number: 790919	N° MODIFICA - DATA / MODIFICATION NO. - DATE: FE xxxx 27-10-00
					CODICE / CODE: 2/3
					ESP./ISSUE: 00



ISS	MOD	Date	FAAC®	Proprietà privata della FAAC S.p.A. E' vietata la riproduzione o comunque la visione del disegno a terzi non interessati senza nostra autorizzazione scritta. La Ditta tutela i propri interessi a norma di legge.	DIS./DRW. A.Pallaver 15-9-00
			PRODOTTO: 4550	DOCUMENTO: SCHEMA ELETTRICO (COMUNE)	NOME FILE / FILENAME: Path\Filename
			PRODUCT: 4550	FEL Part Number: 790919	N° MODIFICA - DATA / MODIFICATION NO. - DATE: FE xxxx 27-10-00
					CODICE / CODE: 3/3
					ESP. / ISSUE: 00



## 790919 1-455D\_115V CONTROL BOARD PCB 05A

Current Change No.:FE6897

	Ref Des	Component	Description
PTH	C17	6EL47MF35VVP2	7EL47MF35VV in house prepped no crimp
	C18	7CAP.33MFPOL225	CAP 0.33MF 250V 22.5MM P CLASS X 20%
	C21	6EL1000MF35VVP5	7EL1000MF35VVP5 IN HOUSE PREPPED
	C24	6CAP6.8NFPOL10Y	7CAP6.8NFPOL10Y IN HOUSE PREPPED
	C25	7CAP.1MFPOL15	CAP 0.1MF 250V 15MM 1.58 CLASS X 20%
	CR1	7RES4	CER.RES. 4MHZ CSA4.00MG /4.00G
	DL11	7LEDRED7SEGMENT	RED 7 SEGMENT DISPLAY
	DL12	7LEDRED7SEGMENT	RED 7 SEGMENT DISPLAY
	DS1	NOT FITTED	NOT FITTED
	DS2	NOT FITTED	NOT FITTED
	F1	NOT FITTED	NOT FITTED
	F2	6FUSE0.800ASUL4	7FUSEHOLDER4+7FUSE0.800ASUL
	F3	6FUSE10AUL6	7FUSE10AUL+7FUSEHOLDER6
	FIL1	7FILTRNETWORK2	COMM MODE CHOKE 1.1MH 9A F5806B
	IC8	6TR7805V	7TR7805V IN HOUSE PREPPED
	J1	7CONMTBVA2.5/11 + 7CONMSTB2.5/11P2	PHOENIX CONN. MSTBVA 2.5/11G CONN MSTB2.5/11-ST PRINTED 9-19
	J2	7CONWAFER	WAFER CON. ASSEMBLY 3239/05B 3279
	J3	7CONMSTBVA2.5/3 + 7CONMSTB2.5/3P1	CONNECTOR PHOENIX MSTBVA2.5/3 5MM PITCH CONN MSTB2.5/3-ST PRINTED PE N L
	J4	7CONNECTOR8SP + 7CONMSTB2.5/8P2	8 WAY SOCKET CONNECTOR CONN MSTB2.5/8-ST PRINTED 1-8
	J5	7CONMSTBVA2.5/2 + 7CONMSTB2.5/2P1	CONNTR. PHOENIX MSTBVA2.5/2G 7690593 CONN MSTB2.5/2-ST PRINTED 20-21
	J6	7CONMSTBVA2.5/4 + 7CONMSTB2.5/4P1	CONNECTOR PHOENIX MSTBVA2.5/4G CONN MSTB2.5/4-ST PRINTED 22-25
	OC1	7OPTOTRIAC3T	600V BLOCKING VOLTAGE WIDE LEAD
	OC2	7OPTOTRIAC3T	600V BLOCKING VOLTAGE WIDE LEAD
	OC3	7OPTOCOUPLER1T	1 WAY OPTOISOLATORSFH615A-2 0.4PITCH
	RL1	7RL2CO24V10A	RELAY FBR621D024
	RL2	7RL2CO24V10A	RELAY FBR621D024

	T11	6TRTIP120	7TRTIP120 IN HOUSE PREPPED
	TF1	6TRANSFORMER17	7TRANSFORMER17 IN HOUSE PREPPED
	TF1	7SCREW29	SELF TAPPER 4X3/8 PAN PHILIPS TIN P
	TF1	7SCREW29	SELF TAPPER 4X3/8 PAN PHILIPS TIN P
	TH1	6TRIAC8	7TRIAC8 IN HOUSE PREPPED
	TH2	6TRIAC8	7TRIAC8 IN HOUSE PREPPED
	VDR1	6VARISTOR1	7VARISTOR1 IN HOUSE PREPPED
SMD	*n/a	7PCB452/455	<b>PCB 452/455 LEV.05A</b>
	C1	7CS2BK10NF	CER. CAP 10NF X7R SMD0805 50V 10%
	C10	7CS2CM100NF	CER. CAP 100NF SMD 1206 50V 20%
	C11	7CS1BJ33PF	CER.CAP 33PF NPO SMD 0805 50V 5%
	C12	7CS1BJ33PF	CER.CAP 33PF NPO SMD 0805 50V 5%
	C13	7CS2BM47NF	CER. CAP 47NF X7R SMD 0805 50V 20%
	C14	7CS2BM47NF	CER. CAP 47NF X7R SMD 0805 50V 20%
	C15	NOT FITTED	NOT FITTED
	C16	7CS2BK10NF	CER. CAP 10NF X7R SMD0805 50V 10%
	C19	7CS2BM47NF	CER. CAP 47NF X7R SMD 0805 50V 20%
	C2	7CS2BK10NF	CER. CAP 10NF X7R SMD0805 50V 10%
	C20	7CS2BM47NF	CER. CAP 47NF X7R SMD 0805 50V 20%
	C22	7CS2BK10NF	CER. CAP 10NF X7R SMD0805 50V 10%
	C3	7CS2BK10NF	CER. CAP 10NF X7R SMD0805 50V 10%
	C4	7CS2BK10NF	CER. CAP 10NF X7R SMD0805 50V 10%
	C5	7CS2BK10NF	CER. CAP 10NF X7R SMD0805 50V 10%
	C6	7CS2BK10NF	CER. CAP 10NF X7R SMD0805 50V 10%
	C7	7CS2BK10NF	CER. CAP 10NF X7R SMD0805 50V 10%
	C8	7CS2BK10NF	CER. CAP 10NF X7R SMD0805 50V 10%
	C9	7CS2BK10NF	CER. CAP 10NF X7R SMD0805 50V 10%
	D1	NOT FITTED	NOT FITTED
	D10	7DILL4148	DIODE SMD LL4148
	D11	7DILL4148	DIODE SMD LL4148
	D12	NOT FITTED	NOT FITTED
	D13	NOT FITTED	NOT FITTED
	D14	NOT FITTED	NOT FITTED
	D15	NOT FITTED	NOT FITTED
	D16	NOT FITTED	NOT FITTED

D17	NOT FITTED	NOT FITTED
D18	NOT FITTED	NOT FITTED
D19	NOT FITTED	NOT FITTED
D2	NOT FITTED	NOT FITTED
D20	7DIBAV70	DIODE DUAL BAV70 70V 0.45A SOT23
D22	7DISM4007	SMD DIODE SQUARE CASING
D23	7DISM4007	SMD DIODE SQUARE CASING
D24	7DISM4007	SMD DIODE SQUARE CASING
D25	7DISM4007	SMD DIODE SQUARE CASING
D26	7DISM4007	SMD DIODE SQUARE CASING
D27	7DILL4148	DIODE SMD LL4148
D28	7DISM4007	SMD DIODE SQUARE CASING
D29	7DISM4007	SMD DIODE SQUARE CASING
D3	NOT FITTED	NOT FITTED
D30	7DISM4007	SMD DIODE SQUARE CASING
D31	7DISM4007	SMD DIODE SQUARE CASING
D4	NOT FITTED	NOT FITTED
D5	NOT FITTED	NOT FITTED
D6	NOT FITTED	NOT FITTED
D7	NOT FITTED	NOT FITTED
D8	NOT FITTED	NOT FITTED
D9	NOT FITTED	NOT FITTED
DL1	NOT FITTED	NOT FITTED
DL10	NOT FITTED	NOT FITTED
DL2	NOT FITTED	NOT FITTED
DL3	NOT FITTED	NOT FITTED
DL4	NOT FITTED	NOT FITTED
DL5	NOT FITTED	NOT FITTED
DL6	NOT FITTED	NOT FITTED
DL7	NOT FITTED	NOT FITTED
DL8	NOT FITTED	NOT FITTED
DL9	NOT FITTED	NOT FITTED
IC1	6IC455D	71CPIC16C57 PROGRAMMED FOR THE 455D
IC2	7IC24LC01BTISN	SMD IC 24LC01BT I SN INDUSTRIAL Tape&R
IC3	7IC74HC164SMD	74HC164SO PACKAGE TAPE & REEL
IC5	7IC78L05SMD	78L05 SO PACKAGE TAPE & REEL

IC6	7IC78L05SMD	78L05 SO PACKAGE TAPE & REEL
IC7	NOT FITTED	NOT FITTED
R1	7RSC0	ZER0 OHM LINK SMD 1206
R10	7RSC47K	RESISTOR 47K SMD 1206 5% NICKEL B
R100	7RSB47K	RESISTOR 47K SMD 0805 5% NICKEL B.
R101	7RSB4.7K	RESISTOR 4K7 SMD 0805 5% NICKEL B.
R102	7RSC1R5	RESISTOR 1R5 1206 5% NICKEL B.
R103	7RSB10K	RESISTOR 10K SMD 0805 5% NICKEL B.
R104	7RSB4.7K	RESISTOR 4K7 SMD 0805 5% NICKEL B.
R105	7RSC1R5	RESISTOR 1R5 1206 5% NICKEL B.
R106	7RSC1K	RESISTOR 1K SMD 5% NICKEL B
R107	7RSB4.7K	RESISTOR 4K7 SMD 0805 5% NICKEL B.
R108	7RSB1K	RESISTOR 1K SMD 0805 5% NICKEL B.
R109	7RSC22	RESISTOR 22R SMD 1206 5% NICKEL B
R11	7RSC47K	RESISTOR 47K SMD 1206 5% NICKEL B
R110	7RSC22	RESISTOR 22R SMD 1206 5% NICKEL B
R111	7RSC1K	RESISTOR 1K SMD 5% NICKEL B
R112	7RSB10K	RESISTOR 10K SMD 0805 5% NICKEL B.
R113	7RSC22	RESISTOR 22R SMD 1206 5% NICKEL B
R114	7RSC22	RESISTOR 22R SMD 1206 5% NICKEL B
R115	7RSC27K	RESISTOR 27K SMD 1206 5% NICKEL B
R116	7RSC27K	RESISTOR 27K SMD 1206 5% NICKEL B
R117	7RSC27K	RESISTOR 27K SMD 1206 5% NICKEL B
R118	7RSC27K	RESISTOR 27K SMD 1206 5% NICKEL B
R119	7RSC27K	RESISTOR 27K SMD 1206 5% NICKEL B
R12	7RSB47K	RESISTOR 47K SMD 0805 5% NICKEL B.
R120	7RSC27K	RESISTOR 27K SMD 1206 5% NICKEL B
R121	7RSB4.7K	RESISTOR 4K7 SMD 0805 5% NICKEL B.
R13	7RSC0	ZER0 OHM LINK SMD 1206
R14	7RSC10K	RESISTOR 10K SMD 1206 5% NICKEL B
R15	7RSC10K	RESISTOR 10K SMD 1206 5% NICKEL B
R16	7RSC47K	RESISTOR 47K SMD 1206 5% NICKEL B
R17	7RSC47K	RESISTOR 47K SMD 1206 5% NICKEL B
R18	7RSB47K	RESISTOR 47K SMD 0805 5% NICKEL B.
R19	7RSC0	ZER0 OHM LINK SMD 1206
R2	7RSC10K	RESISTOR 10K SMD 1206 5% NICKEL B



R20	7RSC10K	RESISTOR 10K SMD 1206 5% NICKEL B
R21	7RSC10K	RESISTOR 10K SMD 1206 5% NICKEL B
R22	7RSC47K	RESISTOR 47K SMD 1206 5% NICKEL B
R23	7RSC47K	RESISTOR 47K SMD 1206 5% NICKEL B
R24	7RSB47K	RESISTOR 47K SMD 0805 5% NICKEL B.
R25	7RSC0	ZERO OHM LINK SMD 1206
R26	7RSC10K	RESISTOR 10K SMD 1206 5% NICKEL B
R27	7RSC10K	RESISTOR 10K SMD 1206 5% NICKEL B
R28	7RSC47K	RESISTOR 47K SMD 1206 5% NICKEL B
R29	7RSC47K	RESISTOR 47K SMD 1206 5% NICKEL B
R3	7RSC10K	RESISTOR 10K SMD 1206 5% NICKEL B
R30	7RSB47K	RESISTOR 47K SMD 0805 5% NICKEL B.
R31	7RSC0	ZERO OHM LINK SMD 1206
R32	7RSC10K	RESISTOR 10K SMD 1206 5% NICKEL B
R33	7RSC10K	RESISTOR 10K SMD 1206 5% NICKEL B
R34	7RSC47K	RESISTOR 47K SMD 1206 5% NICKEL B
R35	7RSC47K	RESISTOR 47K SMD 1206 5% NICKEL B
R36	7RSB47K	RESISTOR 47K SMD 0805 5% NICKEL B.
R37	7RSC0	ZERO OHM LINK SMD 1206
R38	7RSC10K	RESISTOR 10K SMD 1206 5% NICKEL B
R39	7RSC10K	RESISTOR 10K SMD 1206 5% NICKEL B
R4	7RSC47K	RESISTOR 47K SMD 1206 5% NICKEL B
R40	7RSC47K	RESISTOR 47K SMD 1206 5% NICKEL B
R41	7RSC47K	RESISTOR 47K SMD 1206 5% NICKEL B
R42	7RSB47K	RESISTOR 47K SMD 0805 5% NICKEL B.
R43	7RSC0	ZERO OHM LINK SMD 1206
R44	7RSC10K	RESISTOR 10K SMD 1206 5% NICKEL B
R45	7RSC10K	RESISTOR 10K SMD 1206 5% NICKEL B
R46	7RSC47K	RESISTOR 47K SMD 1206 5% NICKEL B
R47	7RSC47K	RESISTOR 47K SMD 1206 5% NICKEL B
R48	7RSB47K	RESISTOR 47K SMD 0805 5% NICKEL B.
R49	7RSC0	ZERO OHM LINK SMD 1206
R5	7RSC47K	RESISTOR 47K SMD 1206 5% NICKEL B
R50	7RSC10K	RESISTOR 10K SMD 1206 5% NICKEL B
R51	7RSC10K	RESISTOR 10K SMD 1206 5% NICKEL B
R52	7RSC47K	RESISTOR 47K SMD 1206 5% NICKEL B

R53	7RSC47K	RESISTOR 47K SMD 1206 5% NICKEL B
R54	7RSB47K	RESISTOR 47K SMD 0805 5% NICKEL B.
R55	7RSB47K	RESISTOR 47K SMD 0805 5% NICKEL B.
R56	7RSB47K	RESISTOR 47K SMD 0805 5% NICKEL B.
R57	7RSB47K	RESISTOR 47K SMD 0805 5% NICKEL B.
R58	7RSB47K	RESISTOR 47K SMD 0805 5% NICKEL B.
R59	7RSB4.7K	RESISTOR 4K7 SMD 0805 5% NICKEL B.
R6	7RSB47K	RESISTOR 47K SMD 0805 5% NICKEL B.
R60	7RSB47K	RESISTOR 47K SMD 0805 5% NICKEL B.
R61	7RSB1K	RESISTOR 1K SMD 0805 5% NICKEL B.
R62	7RSB680	RESISTOR 680R SMD 0805 5% NICKEL B.
R63	7RSB680	RESISTOR 680R SMD 0805 5% NICKEL B.
R64	7RSB680	RESISTOR 680R SMD 0805 5% NICKEL B.
R65	7RSB680	RESISTOR 680R SMD 0805 5% NICKEL B.
R66	7RSB680	RESISTOR 680R SMD 0805 5% NICKEL B.
R67	7RSB680	RESISTOR 680R SMD 0805 5% NICKEL B.
R68	7RSB680	RESISTOR 680R SMD 0805 5% NICKEL B.
R69	7RSB680	RESISTOR 680R SMD 0805 5% NICKEL B.
R7	7RSC0	ZERO OHM LINK SMD 1206
R70	7RSB47K	RESISTOR 47K SMD 0805 5% NICKEL B.
R71	7RSB10K	RESISTOR 10K SMD 0805 5% NICKEL B.
R72	7RSB47K	RESISTOR 47K SMD 0805 5% NICKEL B.
R73	7RSB10K	RESISTOR 10K SMD 0805 5% NICKEL B.
R74	7RSB10K	RESISTOR 10K SMD 0805 5% NICKEL B.
R75	7RSB47K	RESISTOR 47K SMD 0805 5% NICKEL B.
R76	7RSB47K	RESISTOR 47K SMD 0805 5% NICKEL B.
R77	7RSB47K	RESISTOR 47K SMD 0805 5% NICKEL B.
R78	7RSB47K	RESISTOR 47K SMD 0805 5% NICKEL B.
R79	7RSB10K	RESISTOR 10K SMD 0805 5% NICKEL B.
R8	7RSC10K	RESISTOR 10K SMD 1206 5% NICKEL B
R80	7RSB10K	RESISTOR 10K SMD 0805 5% NICKEL B.
R81	NOT FITTED	NOT FITTED
R82	7RSB10K	RESISTOR 10K SMD 0805 5% NICKEL B.
R85	7RSB10K	RESISTOR 10K SMD 0805 5% NICKEL B.
R86	7RSB10K	RESISTOR 10K SMD 0805 5% NICKEL B.
R87	7RSB47K	RESISTOR 47K SMD 0805 5% NICKEL B.

R88	7RSB47K	RESISTOR 47K SMD 0805 5% NICKEL B.
R89	7RSB47K	RESISTOR 47K SMD 0805 5% NICKEL B.
R9	7RSC10K	RESISTOR 10K SMD 1206 5% NICKEL B
R90	7RSB47K	RESISTOR 47K SMD 0805 5% NICKEL B.
R91	7RSB47K	RESISTOR 47K SMD 0805 5% NICKEL B.
R92	7RSB100	RESISTOR 100R SMD 0805 5% NICKEL B.
R93	7RSB10K	RESISTOR 10K SMD 0805 5% NICKEL B.
R94	7RSB1K	RESISTOR 1K SMD 0805 5% NICKEL B.
R95	NOT FITTED	NOT FITTED
R96	7RSB0	RESISTOR ZERO OHM; SMD 0805
R97	7RSB0	RESISTOR ZERO OHM; SMD 0805
R98	7RSB0	RESISTOR ZERO OHM; SMD 0805
R99	7RSB0	RESISTOR ZERO OHM; SMD 0805
SW1	7SWITCH5	SWITCH SMD DTSM61N T/R (989)
SW2	7SWITCH5	SWITCH SMD DTSM61N T/R (989)
SW3	7SWITCH5	SWITCH SMD DTSM61N T/R (989)
T1	7TRBC847C	TRANSISTOR SMD BC847C
T10	NOT FITTED	NOT FITTED
T12	7TRBC817/25	TRANSISTOR SMD BC817/25
T13	7TRBC817/25	TRANSISTOR SMD BC817/25
T14	7TRBC847C	TRANSISTOR SMD BC847C
T15	7TRBC847C	TRANSISTOR SMD BC847C
T16	7TRBC847C	TRANSISTOR SMD BC847C
T2	7TRBC847C	TRANSISTOR SMD BC847C
T3	7TRBC847C	TRANSISTOR SMD BC847C
T4	7TRBC847C	TRANSISTOR SMD BC847C
T5	7TRBC847C	TRANSISTOR SMD BC847C
T6	7TRBC847C	TRANSISTOR SMD BC847C
T7	7TRBC847C	TRANSISTOR SMD BC847C
T8	7TRBC847C	TRANSISTOR SMD BC847C
T9	7TRBC857B	TRANSISTOR SMD BC857B