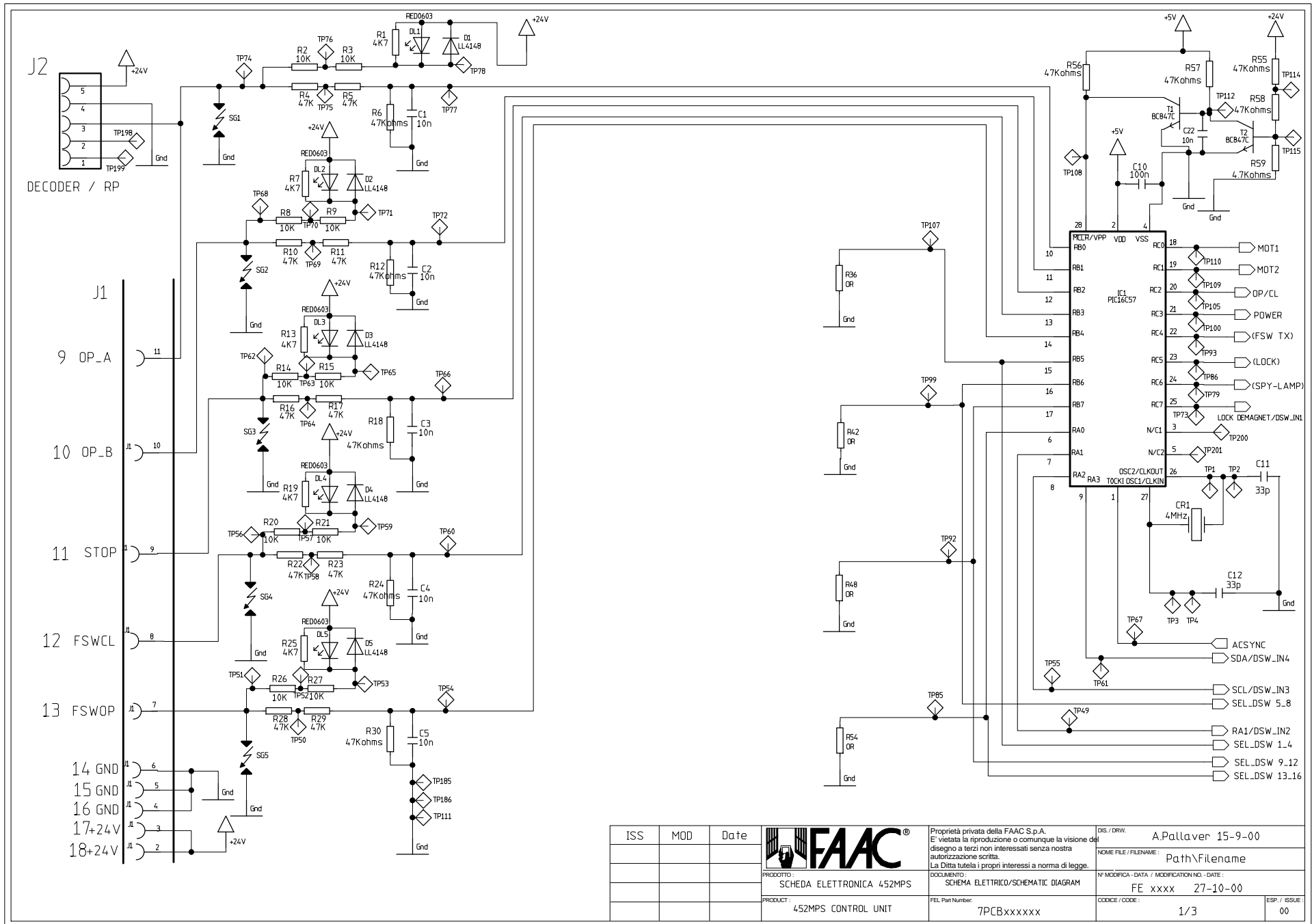


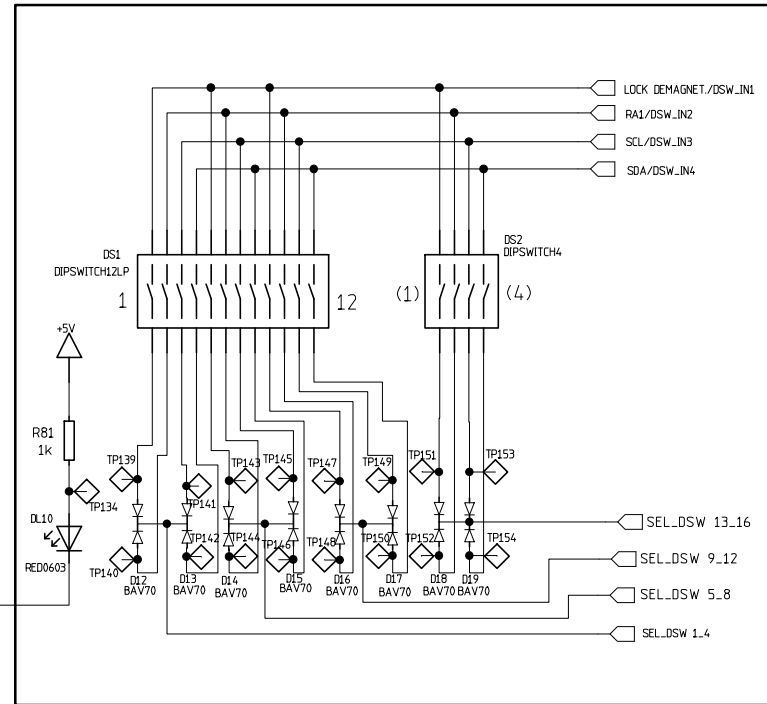
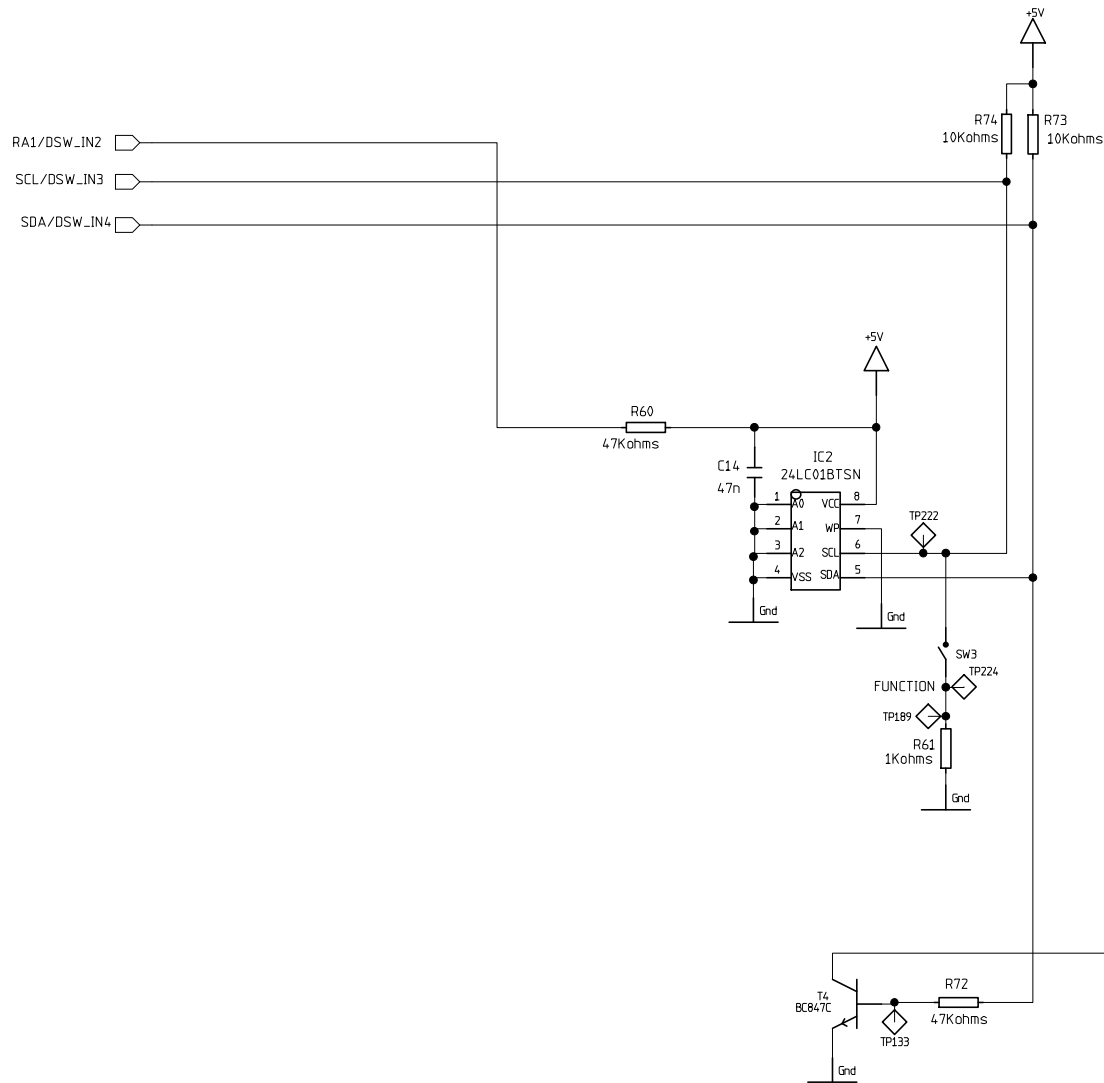
J3
PE N L
MAIN


J4 J1
1 2 4 5 6 7 8
COM OP COM OP CL LAMP
M1 M2

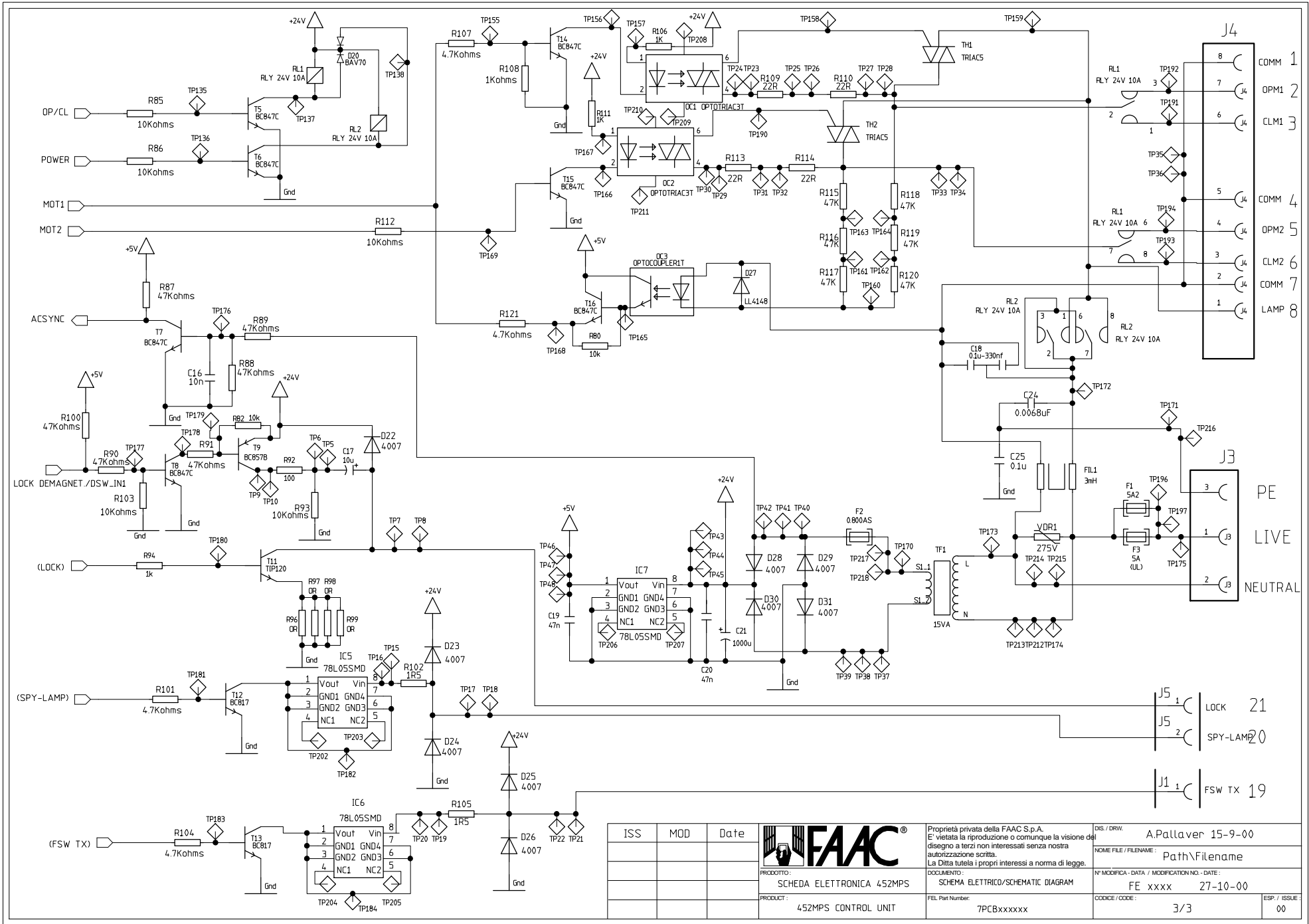
J5
9 10 11 12 13 14 15 16 17 18 19 20 21
A B STP CL OP - - - + + TX LOCK
OPEN FSW FSW +24V FSW W.L.



ISS	MOD	Date	FAAC®	Proprietà privata della FAAC S.p.A. E' vietata la riproduzione o comunque la visione del disegno a terzi non interessati senza nostra autorizzazione scritta. La Ditta tutela i propri interessi a norma di legge.	DIS./DRW. A.Pallaver 15-9-00
			PRODOTTO: SCHEMA ELETTRONICA 452MPS	DOCUMENTO: SCHEMA ELETTRICO/SCHEMATIC DIAGRAM	NOME FILE / FILENAME: Path\Filename
			PRODOTTO: 452MPS CONTROL UNIT	FEL Part Number: 7PCBxxxxxx	N° MODIFICA - DATA / MODIFICATION NO. - DATE: FE xxxx 27-10-00
					CODICE / CODE: 1/3
					ESP. / ISSUE: 00



ISS	MOD	Date			Proprietà privata della FAAC S.p.A. E' vietata la riproduzione o comunque la visione del disegno a terzi non interessati senza nostra autorizzazione scritta. La Ditta tutela i propri interessi a norma di legge.	DIS. / DRW. A.Pallaver 15-9-00 NOME FILE / FILENAME: Path\Filename
			PRODOTTO: SCHEDA ELETTRONICA 452MPS	DOCUMENTO: SCHEMA ELETTRICO/SCHEMATIC DIAGRAM	N° MODIFICA - DATA / MODIFICATION NO. - DATE: FE xxxx 27-10-00	CODICE / CODE: 2/3
			PRODUCT: 452MPS CONTROL UNIT	FEL Part Number: 7PCBxxxxxx	ESP. / ISSUE: 00	



ISS	MOD	Date

FAAC
 PRODOTTO: SCHEDA ELETTRONICA 452MPS
 PRODUKT: 452MPS CONTROL UNIT

Proprietà privata della FAAC S.p.A.
 E' vietata la riproduzione o comunque la visione del disegno a terzi non interessati senza nostra autorizzazione scritta.
 La Ditta tutela i propri interessi a norma di legge.
 DOCUMENTO: SCHEMA ELETTRICO/SCHEMATIC DIAGRAM
 FEL Part Number: 7PCBxxxxxx

DIS / DRW.	A.Pallaver 15-9-00	
NOIOME FILE / FILENAME:	Path\Filename	
N° MODIFICA - DATA / MODIFICATION NO. - DATE:	FE xxxxx 27-10-00	
CODICE / CODE:	3/3	ESP. / ISSUE: 00

LISTA COMPONENTI 790916 (452MPS) LIV. PROD. "1K" (28/06/02)

RefDes	MountTYPE	PartNumber
C1	SMD	7CS2BK10NF
C22	SMD	7CS2BK10NF
C10	SMD	7CS2CM100NF
C11	SMD	7CS1BJ33PF
C12	SMD	7CS1BJ33PF
C14	SMD	7CS2BM47NF
C16	SMD	7CS2BK10NF
C19	SMD	7CS2BM47NF
C2	SMD	7CS2BK10NF
C20	SMD	7CS2BM47NF
C3	SMD	7CS2BK10NF
C4	SMD	7CS2BK10NF
C5	SMD	7CS2BK10NF
D1	SMD	7DILL4148
D12	SMD	7DIBAV70
D13	SMD	7DIBAV70
D14	SMD	7DIBAV70
D15	SMD	7DIBAV70
D16	SMD	7DIBAV70
D17	SMD	7DIBAV70
D18	SMD	7DIBAV70
D19	SMD	7DIBAV70
D2	SMD	7DILL4148
D20	SMD	7DIBAV70
D22	SMD	7DISM4007
D23	SMD	7DISM4007
D24	SMD	7DISM4007
D25	SMD	7DISM4007
D26	SMD	7DISM4007
D27	SMD	7DILL4148
D28	SMD	7DISM4007
D29	SMD	7DISM4007
D3	SMD	7DILL4148
D30	SMD	7DISM4007
D31	SMD	7DISM4007
D4	SMD	7DILL4148
D5	SMD	7DILL4148
DL1	SMD	7LEDRED0603
DL10	SMD	7LEDRED0603
DL2	SMD	7LEDRED0603
DL3	SMD	7LEDRED0603
DL4	SMD	7LEDRED0603
DL5	SMD	7LEDRED0603
IC1	SMD	6IC452
IC2	SMD	7IC24LCO1BTISN
IC5	SMD	7IC78L05SMD
IC6	SMD	7IC78L05SMD
IC7	SMD	7IC78L05SMD
R1	SMD	7RSC4.7K
R10	SMD	7RSC47K
R100	SMD	7RSB47K
R101	SMD	7RSB4.7K

R102	SMD	7RSC1R5
R103	SMD	7RSB10K
R104	SMD	7RSB4.7K
R105	SMD	7RSC1R5
R106	SMD	7RSC1K
R107	SMD	7RSB4.7K
R108	SMD	7RSB1K
R109	SMD	7RSC22
R11	SMD	7RSC47K
R110	SMD	7RSC22
R111	SMD	7RSC1K
R112	SMD	7RSB10K
R113	SMD	7RSC22
R114	SMD	7RSC22
R115	SMD	7RSC47K
R116	SMD	7RSC47K
R117	SMD	7RSC47K
R118	SMD	7RSC47K
R119	SMD	7RSC47K
R12	SMD	7RSB47K
R120	SMD	7RSC47K
R121	SMD	7RSB4.7K
R13	SMD	7RSC4.7K
R14	SMD	7RSC10K
R15	SMD	7RSC10K
R16	SMD	7RSC47K
R17	SMD	7RSC47K
R18	SMD	7RSB47K
R19	SMD	7RSC4.7K
R2	SMD	7RSC10K
R20	SMD	7RSC10K
R21	SMD	7RSC10K
R22	SMD	7RSC47K
R23	SMD	7RSC47K
R24	SMD	7RSB47K
R25	SMD	7RSC4.7K
R26	SMD	7RSC10K
R27	SMD	7RSC10K
R28	SMD	7RSC47K
R29	SMD	7RSC47K
R3	SMD	7RSC10K
R30	SMD	7RSB47K
R36	SMD	7RSB0
R4	SMD	7RSC47K
R42	SMD	7RSB0
R48	SMD	7RSB0
R5	SMD	7RSC47K
R54	SMD	7RSB0
R55	SMD	7RSB47K
R56	SMD	7RSB47K
R57	SMD	7RSB47K
R58	SMD	7RSB47K
R59	SMD	7RSB4.7K
R6	SMD	7RSB47K
R60	SMD	7RSB47K
R61	SMD	7RSB1K

R7	SMD	7RSC4.7K
R72	SMD	7RSB47K
R73	SMD	7RSB10K
R74	SMD	7RSB10K
R75	SMD	7RSB47K
R76	SMD	7RSB47K
R77	SMD	7RSB47K
R78	SMD	7RSB47K
R8	SMD	7RSC10K
R80	SMD	7RSB10K
R81	SMD	7RSB1K
R82	SMD	7RSB10K
R85	SMD	7RSB10K
R86	SMD	7RSB10K
R87	SMD	7RSB47K
R88	SMD	7RSB47K
R89	SMD	7RSB47K
R9	SMD	7RSC10K
R90	SMD	7RSB47K
R91	SMD	7RSB47K
R92	SMD	7RSB100
R93	SMD	7RSB10K
R94	SMD	7RSB1K
R96	SMD	7RSB0
R97	SMD	7RSB0
R98	SMD	7RSB0
R99	SMD	7RSB0
SW3	SMD	7SWITCH5
T1	SMD	7TRBC847C
T12	SMD	7TRBC817/25
T13	SMD	7TRBC817/25
T14	SMD	7TRBC847C
T15	SMD	7TRBC847C
T16	SMD	7TRBC847C
T2	SMD	7TRBC847C
T4	SMD	7TRBC847C
T5	SMD	7TRBC847C
T6	SMD	7TRBC847C
T7	SMD	7TRBC847C
T8	SMD	7TRBC847C
T9	SMD	7TRBC857B
C17	THROUGH	6EL47MF35VV
C18	THROUGH	6CAP.33MFPOL225
C21	THROUGH	6EL1000MF35VVP5
C24	THROUGH	6CAP6.8NFPOL10Y
C25	THROUGH	6CAP.1MFPOL15
CR1	THROUGH	7RES4
DS1	THROUGH	7DIPSWITCH12LP
DS2	THROUGH	7DIPSWITCH4
F1	THROUGH	6FUSE5A2
F2	THROUGH	6FUSE.800AS2
FIL1	THROUGH	7FILTRNETWORK3
J1	THROUGH	7CONMTBVA2.5/11
J2	THROUGH	7CONWAFER
J3	THROUGH	7CONMSTBVA2.5/3
J4	THROUGH	7CONNECTOR8SP

J5	THROUGH	7CONMSTBVA2.5/2
OC1	THROUGH	7OPTOTRIAC3T
OC2	THROUGH	7OPTOTRIAC3T
OC3	THROUGH	7OPTOCOUPLER1T
RL1	THROUGH	7RL2CO24V10A
RL2	THROUGH	7RL2CO24V10A
T11	THROUGH	6TRTIP120
TF1	THROUGH	6TRANSFORMER14
TH1	THROUGH	6TRIAC5
TH2	THROUGH	6TRIAC5
VDR1	THROUGH	6VARISTOR1