

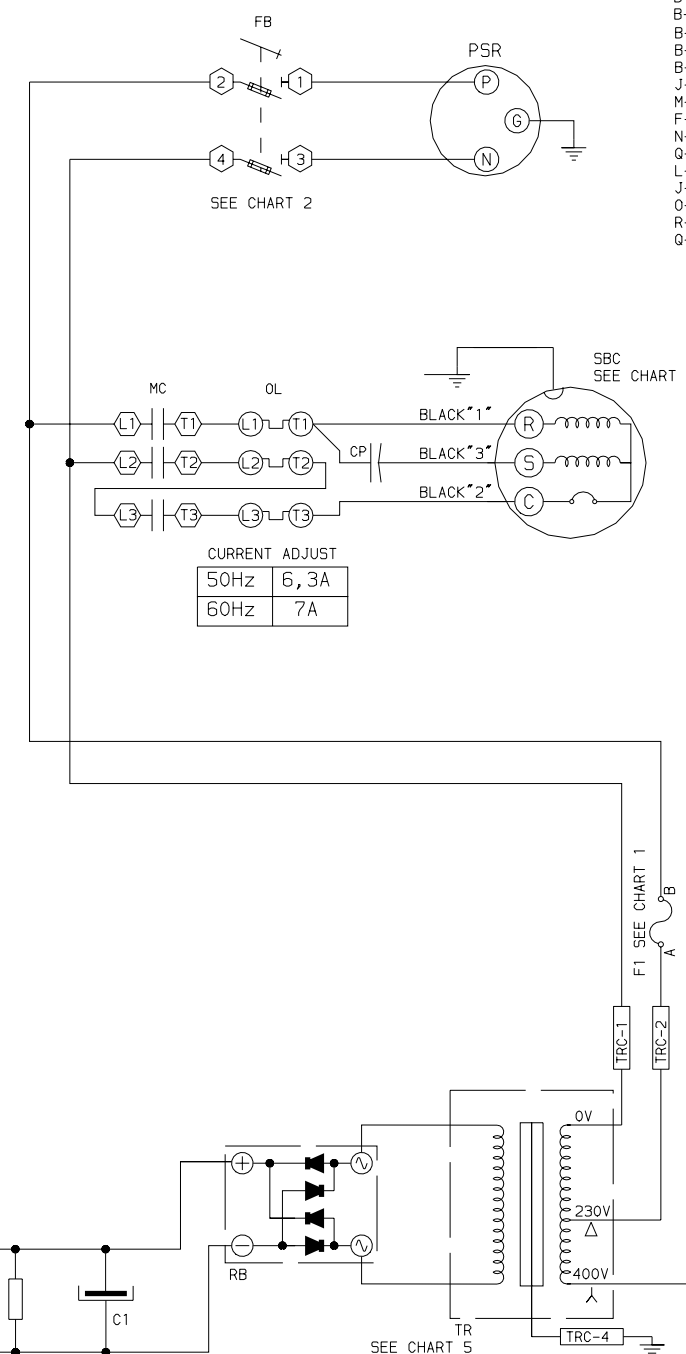
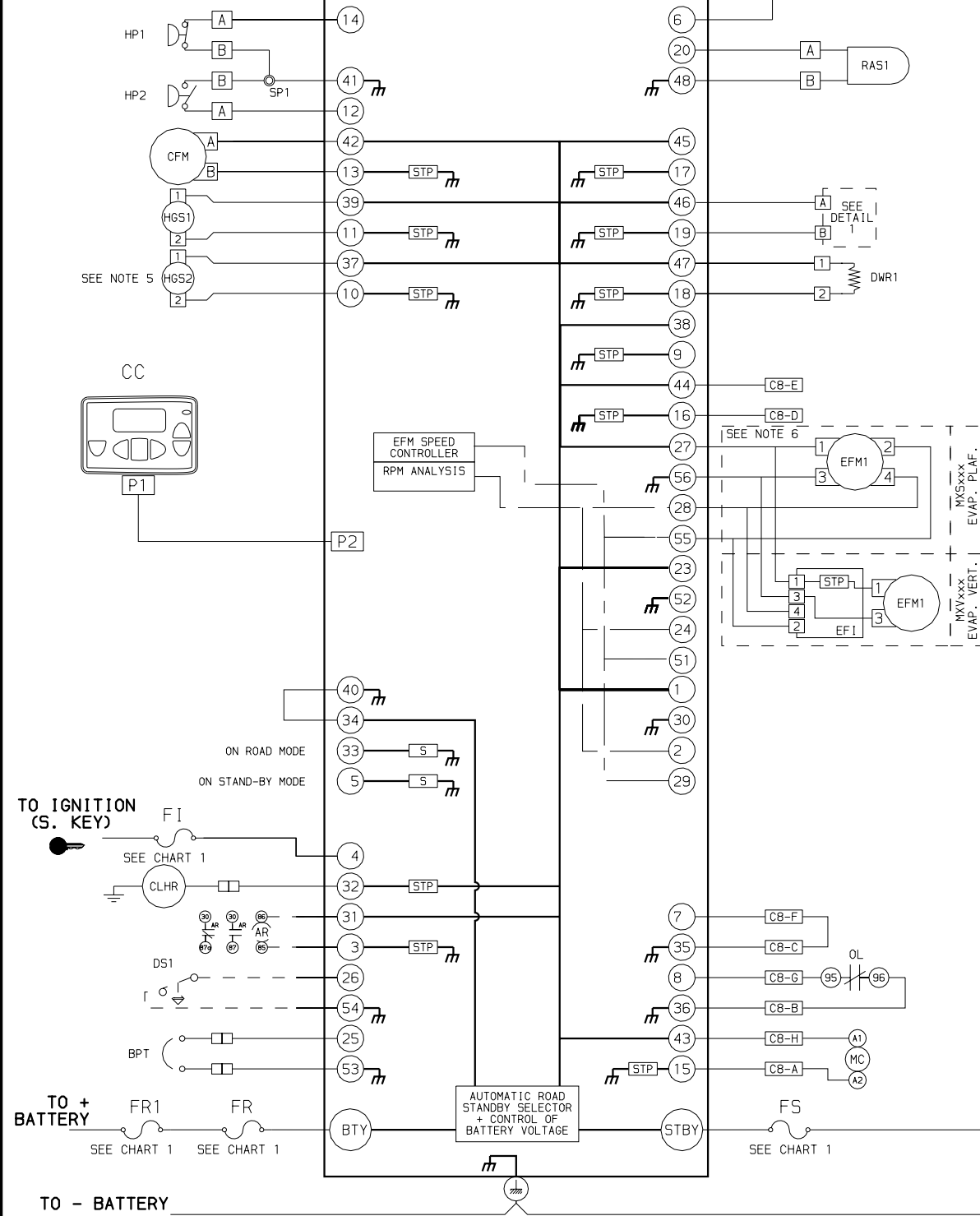
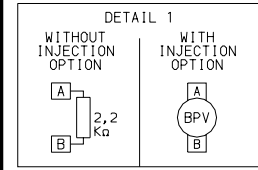


TRANSICOLD

XARIOS 150-200

ROAD 12VDC
24VDC SEE NOTE 4
230V/1/50Hz
208V-230V/1/60Hz

LOCATION	SYMBOL	DESCRIPTION	LOCATION IN FRAME
C-11	AR	ALARM RELAY (OPTION)	EXTERNAL
B-12	BPT	INJECTION KLIXON	ROAD COMPRESSOR
J-5	BPV	INJECTION VALVE SOLENOID	EVAPORATOR
M-13	C1	CAPACITOR (SMOOTHING)	STANDBY BOX
B-6	CC	CAB COMMAND	CAB
B-4	CFM	CONDENSER FAN MOTOR	CONDENSER
B-11	CLHR	ROAD ELECTROMAGNETIC CLUTCH	ENGINE COMPARTMENT
P-7	CP	PERMANENT CAPACITOR	STANDBY BOX
B-12	DS1	DOOR SWITCH (OPTION)	EXTERNAL
J-2	DTT1	DEFROST KLIXON	EVAPORATOR
J-5	DWR1	DRAIN WATER RESISTOR (OPTION)	EVAPORATOR
J-8	EF1	EVAPORATOR FANS INTERFACE	EVAPORATOR
J-7/K-8	EFM1	EVAPORATOR FANS MOTORS	EVAPORATOR
R-11	F1	FUSE FOR PRIMARY SOLENOID TRANSFORMER	STANDBY BOX
N-4	FB	FUSE BLOCK	STANDBY BOX
B-10	F1	FUSE IGNITION	ENGINE COMPARTMENT
B-13/C-13	FR1,FR	FUSE ROAD (DC VOLTAGE)	CONDENSER
I-13	FS	FUSE STANDBY (DC VOLTAGE)	STANDBY BOX
B-3	HP1	SECURITY SWITCH PRESSURE	CONDENSER
B-4	HP2	REGULATION PRESSURE SWITCH FOR FAN CONDENSER	CONDENSER
B-5	HGS1	HOT GAZ SOLENOID DEFROST	CONDENSER
B-5	HGS2	HOT GAZ SOLENOID HEATING (OPTION)	CONDENSER
B-10	IGNITION	SWITCH KEY INFORMATION	ENGINE COMPARTMENT
J-2	LP	LOW PRESSURE SWITCH	EVAPORATOR
M-7/J-12	MC	MOTOR CONTACTOR	STANDBY BOX
F-2	MP	MICROPROCESSOR BOARD	CONDENSER
N-7/J-11	OL	OVERLOAD RELAY	STANDBY BOX
Q-4	PSR	POWER SUPPLY RECEPTACLE	EXTERNAL
L-13	R	RESISTOR FOR DISCHARGE C1	STANDBY BOX
J-3	RAS1	RETURN AIR SENSOR	EVAPORATOR
O-13	RB	RECTIFIER BRIDGE	CONDENSER
R-7	SBC	STANDBY COMPRESSOR	CONDENSER
Q-13	TR	TRANSFORMER	CONDENSER



- NOTES :
- UNIT SHOWN "OFF" POSITION.
 - WIRE IDENTIFICATION SYSTEM:
COLOUR: WHITE - DC CONTROL CIRCUITS ORANGE - AC CIRCUIT
GREEN - DC GROUNDS GREEN/YELLOW - AC EARTH
RED - POSITIVE BATTERY CIRCUIT BLUE - AC CIRCUITS NEUTRAL
BLACK - NEGATIVE BATTERY CIRCUIT BROWN - AC CIRCUITS PHASE
 - ADDRESS SYSTEM: EXAMPLE: MP-43/C8-A, INDICATES A WIRE BETWEEN MICROPROCESSOR MP (PIN43) AND PLUG C8 (PIN A).
 - IN 24 VDC, POWER COMPONENTS (BPV, CFM, CLHR, DWR1, EFM1, FUSES, HGS1-2, MC, TR) ARE MODIFIED FOR 24VDC SUPPLY VOLTAGE.
 - FOR OPTION HEATING HOT GAZ
 - ACCORDING TO EVAPORATOR CONFIGURATION.

- ⊕ INDICATES A SOLDERED SPLICE POINT.
- ⊙ PIN CONNECTION.
- LIGHT LINES INDICATES WIRES IN THE SYSTEM.
- ⊥ NORMALLY CLOSED CONTACTS.
- ⊥ NORMALLY OPEN CONTACTS.
- ⊥ MULTIPLE PLUG CONNECTION NUMBER.
- ⊥ JUNCTION BLOCK CONNECTION
- ⊕ INDICATES A WIRE GROUND.
- ⊥ INDICATES A CHASSIS GROUND (NO WIRE).
- ⊥ INDICATES OPTIONS.
- ⊕ INDICATES A CONNECTION, WIRE, LUG, ETC.
- ⊥ INSULATING PLUG
- ⊕ COMPONENT CONNECTION NUMBER OR LETTER.
- ⊥ SWITCH THERMAL PROTECTOR (TOPFET)
- ⊥ SWITCH

CHART 1	FI	FR	FR1	FS	F1	CHART 2	FB
+BAT = +12V	1A	30A	40A	30A	4A	f = 50Hz	10A
+BAT = +24V	1A	20A	40A	20A	4A	f = 60Hz	10A

CHART 4	SBC	CHART 5	TR 12V	TR 24V
XARIOS 150 - 200	0.85KW	XARIOS 150 - 200	300VA	300VA

STANDARD

OPTION

ALARM, DOOR SWITCH, DRAIN WATER RESISTOR

DATE : 25/03/04 N : 62-61385 REV: B SH: 1/1