



Philips Domestic Appliances and Personal Care

Service Manual

PRODUCT INFORMATION

- This product meets the requirements regarding interference suppression on radio and TV.
- After the product has been repaired, it should function properly and has to meet the safety requirements as officially laid down at this moment.

TECHNICAL INFORMATION

- Colour : Raven Black
- Power consumption : 1600 W
(IEC) 230V
- Maximum Air displacement : 37 l/s
- Vacuum : 280 mbar / 28.0 kPa
- Type number dustbag : FC8022
- Duststorage capacity : 3 L
- Cord length : 7 m
- Filter system : 5 Layer
Ultra Filtration System:
 - S-bag Clinic
 - Tripple layer motor protection filter
 - HEPA12 washable exhaust filter
- Dimensions of cleaner : 252 x 299 x 457 mm
- Dimensions of packaging : 580 x 375 x 280 mm

ACCESSORIES

- Nozzle : All purpose wheeled nozzle
- Tubes : Conical steel tubes
- Accessories : Crevice nozzle and small nozzle
- Accessory storage : Accessory clip on tube
- Coupling : Conical coupling

OPTIONAL (accessories)

- FC 8021 : S-Bag Classic Long performance
- FC 8022 : S-bag Clinic
- FC 8023 : S-bag Anti-Odour

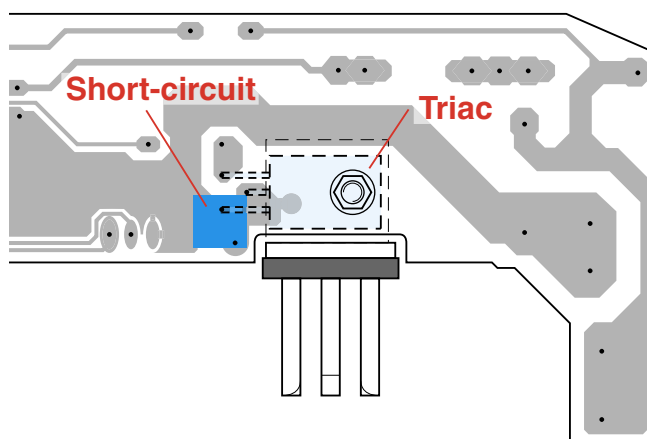
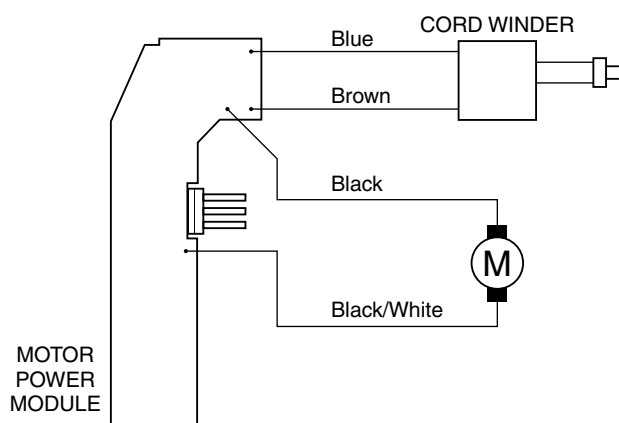
DISASSEMBLY- AND RE-ASSEMBLY ADVISE

- Open the appliance, first pull off the vario knob button, then remove the ring under the knob, after that screw (A) under the vario knob can be removed with a screwdriver.
- After removing the filtercover the second screw (B) for releasing the backpanel can be removed.
- The dustcover, button panel, bumper and the PCB's can now easily be removed.
- The upperhousing (dustchamber + motorhousing) can be released by removing 6 screws (C).
- The wires for the motor are placed under the sealing ring of the motor.
- The sealing ring is placed in two grooves, which are made in the lower housing.
- When you re-assemble then make sure that the wires for the motor are placed underneath the sealing ring.

REPAIR INSTRUCTION

- Cotton dustbags, are used in countries in which paper dustbags are not available.
- If the reel half spring unit is replaced, shaft F must be lubricated with **silicone grease**. Do not apply any silicone grease to or spill any grease on terminals (26) or conductors (25).
- The cord winder spring must be tensioned to the maximum level and then be rewound approx. 1.5 turn.
- **Item 8**, air valve, opens to cool the motor if the air displacement is too low or if the airflow is blocked.
- If the function of the electronic control unit is not required, the Triac must be short-circuited in the manner shown in the circuit diagram.
- When the vacuum cleaner is used to suck up fine dust the pores of the dustbag may become clogged, causing the passage of air through the dustbag to become obstructed. As a result, the dustbag-full indicator will indicate that the dustbag needs to be replaced, eventhough the dustbag is not full at all.

ELECTRICAL DIAGRAM



PARTS LIST

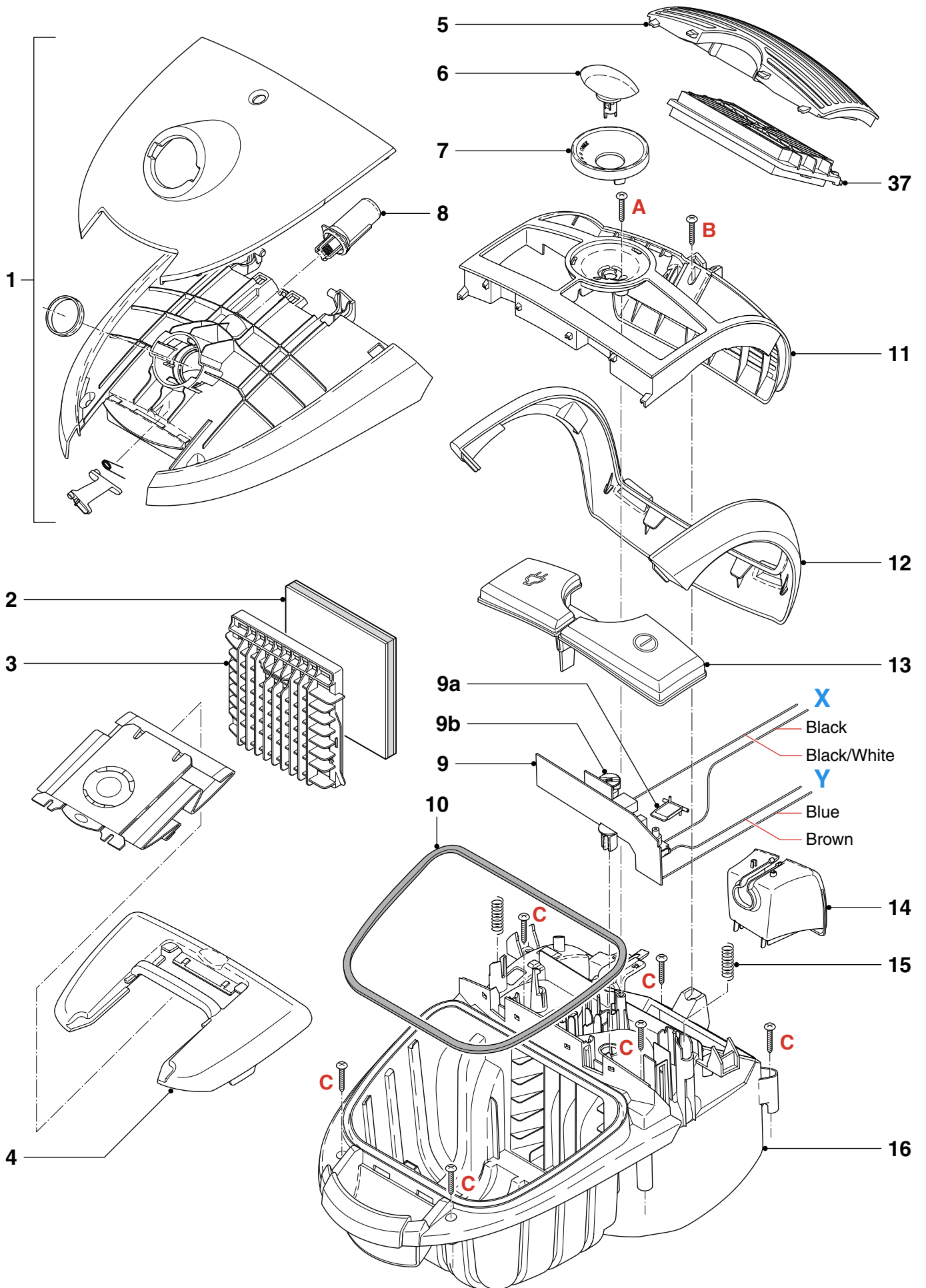
FC8611

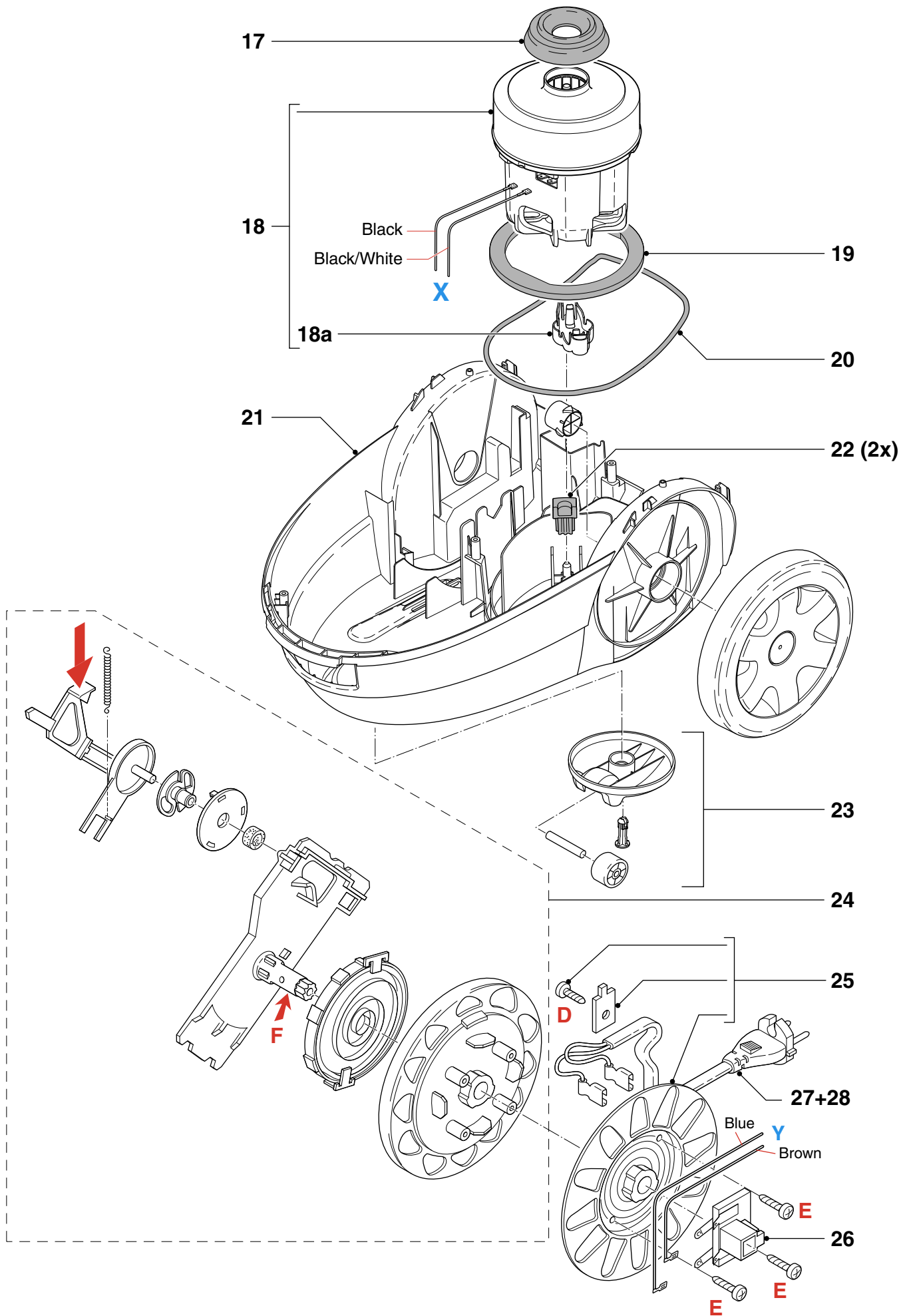
| Pos | Service code | Description |
|-----|----------------|---------------------------------|
| 1 | 4341 009 00860 | Dustcover assy Raven Black |
| 2 | 4322 000 39100 | Tripple inlet filter |
| 3 | 4322 003 26070 | Inlet grille |
| 4 | 4322 003 25850 | Dustbag carrier |
| 5 | 4322 003 26240 | Back grille Raven Black |
| 6 | 4322 003 26270 | Turn knob Raven Black |
| 7 | 4322 003 25940 | Turn knob base |
| 8 | 4322 005 18050 | DBF assy |
| 9 | 4322 006 22960 | PCB assy 220 - 240 V 50/60 Hz |
| 9a | 4341 003 02390 | Switch lever |
| 9b | 4322 003 11730 | Adjuster |
| 10 | 4322 001 73480 | Dustchamber seal |
| 11 | 4322 005 23800 | Back panel FL pr. Raven Black |
| 12 | 4322 003 25900 | Bumper back |
| 13 | 4322 003 25910 | Buttons |
| 14 | 4322 003 25830 | Cord outlet |
| 15 | 4322 000 09970 | Button spring |
| 16 | 4322 003 25840 | Upper housing |
| 17 | 4322 001 73440 | Motor buffer front bl. |
| 18 | 4322 009 09400 | Domel 1461 220-240V service kit |

| Pos | Service code | Description |
|-----|----------------|----------------------------------|
| 18a | 4322 003 26030 | Motor bracket |
| 19 | 4322 000 38820 | Silencer 3 VCM |
| 20 | 4322 001 73470 | Motorpot seal |
| 21 | 4322 003 26150 | Lower housing Raven Black |
| 22 | 4322 001 72900 | Buffer |
| 23 | 4322 005 17840 | Caster assy |
| 24 | 4322 005 18670 | Reel half spring unit |
| 25 | 4322 005 17430 | Reelh. cordside assy |
| 26 | 4322 005 17910 | Contact plate assy |
| 27 | 4322 006 07410 | U.K. / H.K. L = 9.3 m |
| 28 | 4322 006 07390 | Euro 4.8 mm pins L = 9.3 m |
| 29 | 4322 006 07400 | Swiss L = 9.3 m |
| 30 | 4341 005 01240 | Bend handle |
| 31 | 4341 004 20420 | Hose assy extruded |
| 32 | 4341 004 20170 | Crevice nozzle 118 conical |
| 33 | 4341 003 02470 | Acc. clip exp. |
| 34 | 4341 004 20100 | Small nozzle assy conical |
| 35 | 4322 004 23160 | RD 262 neutr. conical/hook |
| 36 | 4322 004 23620 | Telescopic tube easy touch, con. |
| 37 | 4322 000 39090 | HEPA12 washable filter |

EXPLODED VIEW

FC86 I I





EXPLODED VIEW

FC8611

