

Service
Service
Service



Philips Domestic Appliances and Personal Care

Service Manual

PRODUCT INFORMATION

- Electronic controlled motor rpm
- Cordwinder build-in with flat cord
- Dustbag-full indicator in dustcover
- This product meets the requirements regarding interference suppression on radio and TV.
- After the product has been repaired, it should function properly and has to meet the safety requirements as officially laid down at this moment.

TECHNICAL INFORMATION

- Maximum air displacement : 34 l/sec
- Maximum vacuum water column : 280 cm
- Power consumptio (IEC) 225V : 1400 W
- Dust storage capacity : 2 litres
- Cord length (depends on version) : 6 m
- Filter system : 6 filters
- Dimensions cleaner : 37 x 28 x 23 cm
- Weight + accessories on board : 4.3 kg
- Noise : 80 dB
- Colour : Sunny lime

DISASSEMBLY- AND RE-ASSEMBLY ADVISE

- To open the appliance, first remove the screws A,B,C,D.
- To reach the motor remove the screws E.
- To disassemble the cordwinder use Torx screw driver no T10, which is one of set consisting of : T20, T15, T10, T9, T8, T7 and T6 = 4822 395 50145.

REPAIR INSTRUCTION

- Give attention that the contact fingers (item 45) are placed on the cord-winder shaft in such a way that the pressure point of the cordwinder knob to the cord winderlever (item 40) is vertical.
- The spare parts have been standardized as much as possible.
- Component configuration on exploded view may differ in case of specific versions, however, the actual components are distinguished by means of code numbers.
- Item 1 Cotton dustbag is used in those countries where paper dustbags are not available
- Item 41 Cord-winder spring unit is provided with a long spring, both long and short cords can be used in combination with this spring.
- Cordwinder spring has to be tensioned till maximum minus approx. 1,5 revolution.

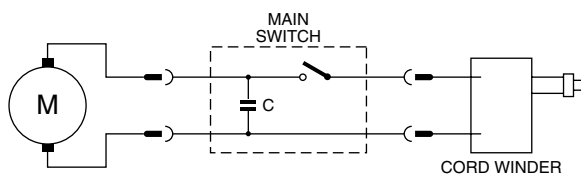
OPTIONAL (accessories)

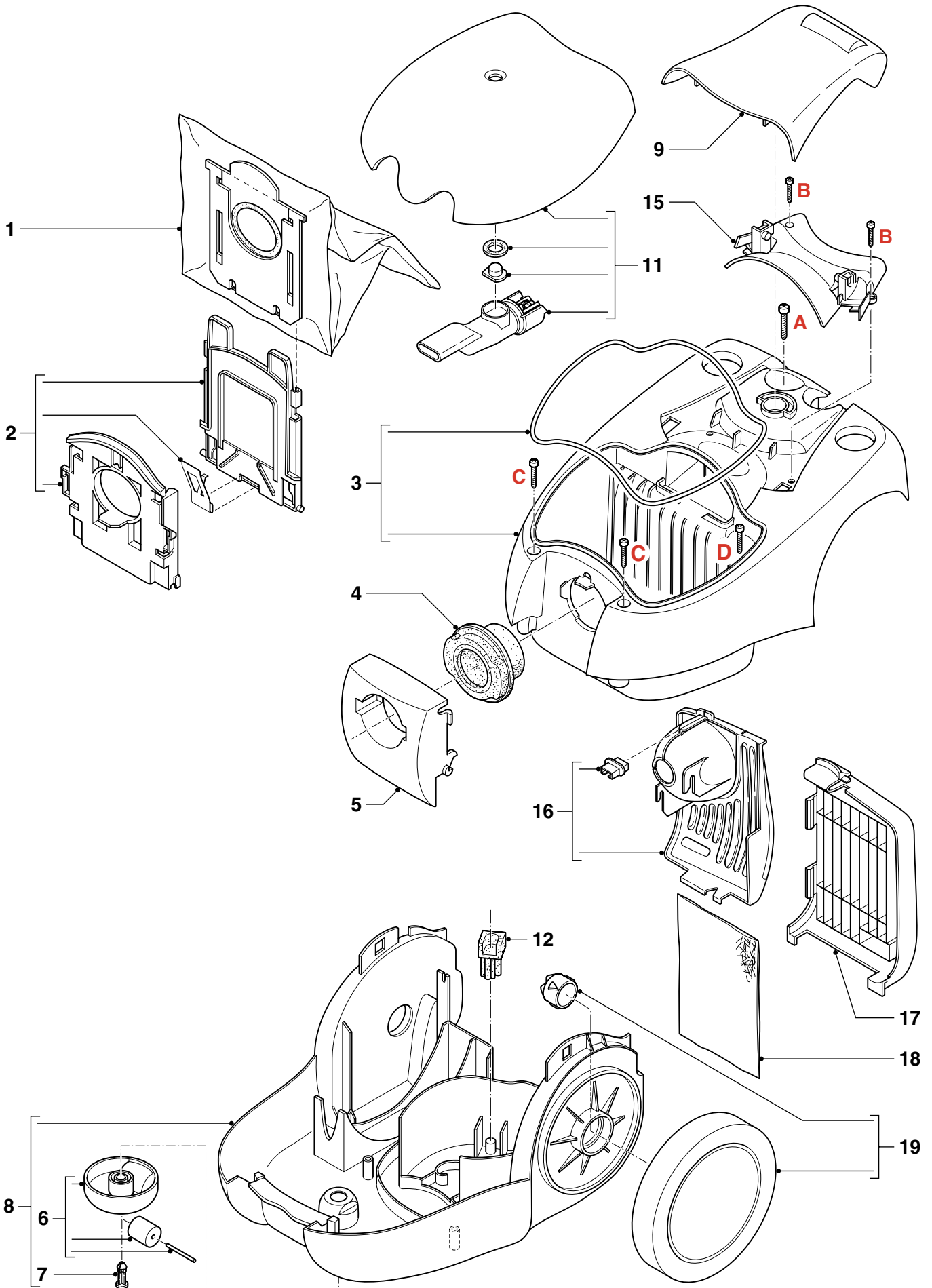
Exhaust air filter	HR6932	(8836 932 01210)
Sydney cotton dustbag	HR6997	(8836 997 01010)
Sydney 3M dustbag	HR6999	(8836 999 90010)
S-paper dustbags	FC8021	(4822 480 10113)
Turbo brush con.	HR6988	(4822 479 20196)
Polishing nozzle con.	HR8040	(4322 004 22330)

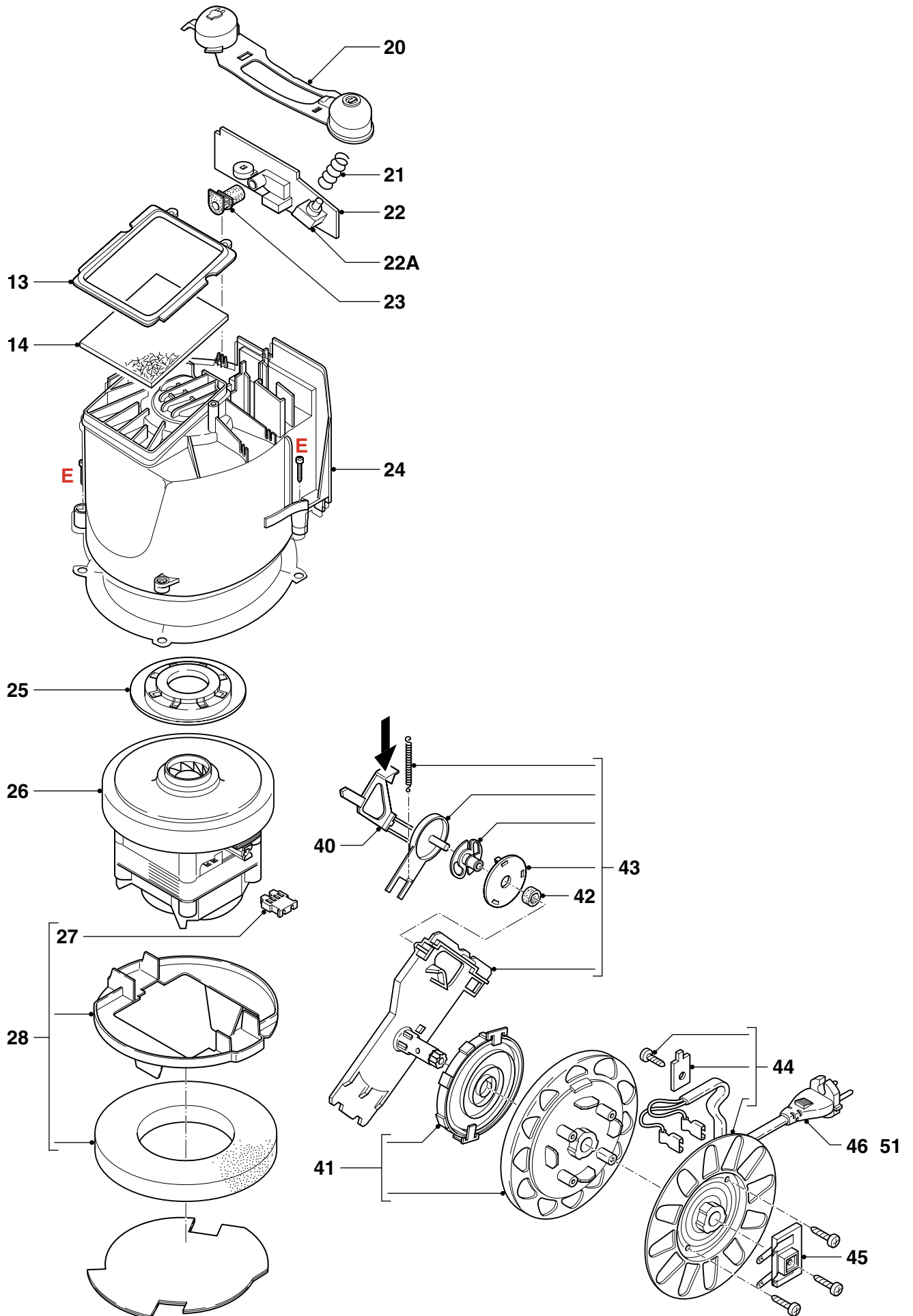
Pos	Service code	Description
1	4822 480 10113 8836 999 90010 8836 997 01010	S-paper dustbags FC8021 Sydney 3M dustbags (opt.) Sydney cotton dustbag (opt.)
2	4322 009 06030	dustbag holder
3	4322 009 06040	upperhousing (canyon grey)
4	4322 001 73150	inletrubber
5	4322 003 20580	nose piece (canyon grey)
6	4322 005 13780	caster dish assy
7	4322 003 17230	fixing pin
8	4322 009 06050	lower housing (canyon grey)
9	4322 005 13940	handle (sunny lime)
11	4322 009 06060	dust cover assy (sunny lime)
12	4322 001 72900	motor buffer
13	4322 001 73160	m.c. sealing
14	4322 009 08460	safety filter and holder
	4322 000 35360	safety filter (duo)
15	4322 003 20680	hinge (canyon grey)
16	4322 009 06070	cord outlet (canyon grey)
17	4322 003 20640	back grille (canyon grey)
18	8836 932 01210	exhaust filter
19	4322 009 06080	rear wheel (canyon grey)
20	4322 003 20600	knobs (canyon grey)
21	4322 000 09750	pedal spring
22	4322 006 20000	PCB ans 220 - 240 V
22A	4322 006 50600	Switch (soldered version)
23	4322 001 73270	AP cooling connection
24	4322 003 17850	motor cap
25	4322 001 72780	buffer ring front
26	4322 009 06430	motor ans 220 - 240 V
27	4322 003 11990	receptical housing (opt.)
28	4322 009 07520	motor foam / disc / ans

Pos	Service code	Description
40	4322 003 06620	push rod
41	4322 009 07610	reelhalf springside
42	4322 001 72360	brake tyre
43	4322 009 07640	base plate
44	4322 009 07620	reelhalf contactside
45	4322 009 07630	contact plate
46	4322 006 02110	Argentina L = 6.3 m
	4322 006 01380	Australia L = 6.3 m
47	4322 006 01770	Japan / Taiwan L = 5.3 m
48	4322 006 02100	H.K. / U.K. L = 6.3 m
49	4322 006 02060	Euro 4.8 mm L = 6.3 m
50	4322 006 02080	Swiss L = 6.3 m
51	4322 006 02070	Italy L = 6.3 m
55	4341 004 20170	crevice nozzle
56	4341 004 20100	small nozzle
57	4341 004 20190	plumeau
58	4322 004 21810	big nozzle RD262 con. (standard)
59	4341 003 00240	tube clip
60	4322 002 22610	metal tube
61	4322 003 10020	clip telesc. tube (opt.)
62	4322 004 21050	telescopic tube (opt.)
63	4341 004 20420	bend + hose ass'y (standard)
64	4341 005 01240	bend

■ = changed







EXPLODED VIEW

FC8400

