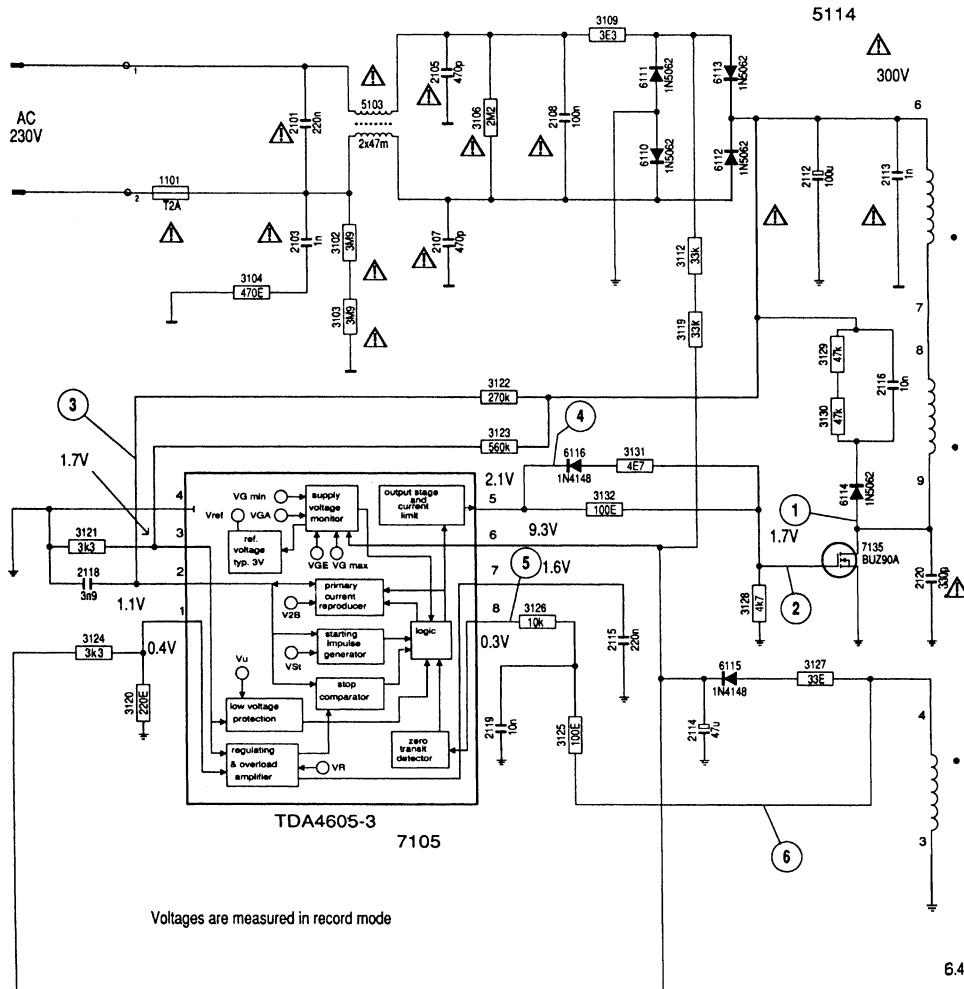
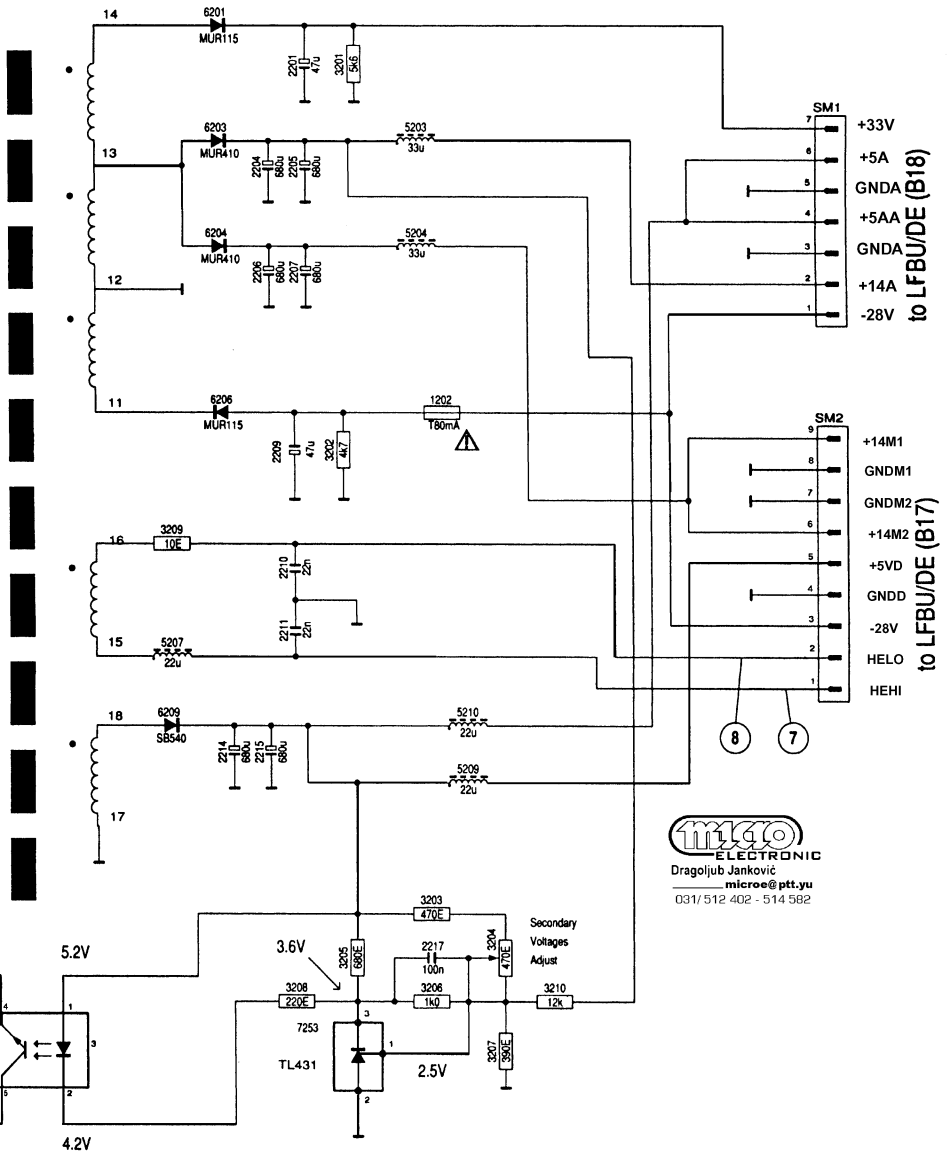


SMPOWERTRANS

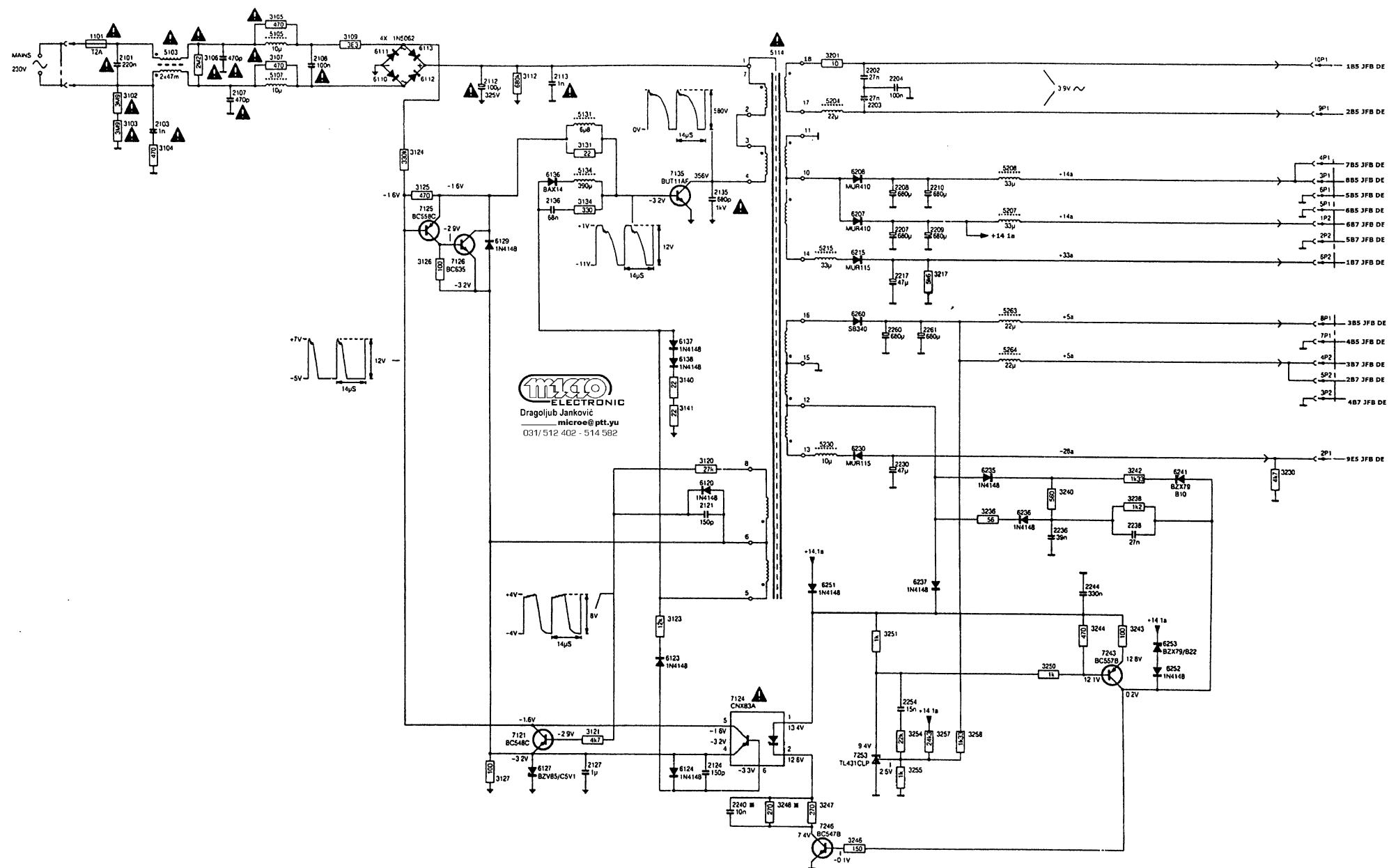


HOT CIRCUIT, BE CAREFUL AND USE AN ISOLATION TRANSFORMER WHEN SERVICING  
DO NOT OPERATE WITHOUT CASE  
CAUTION : LETHAL POTENTIALS AT PRIMARY

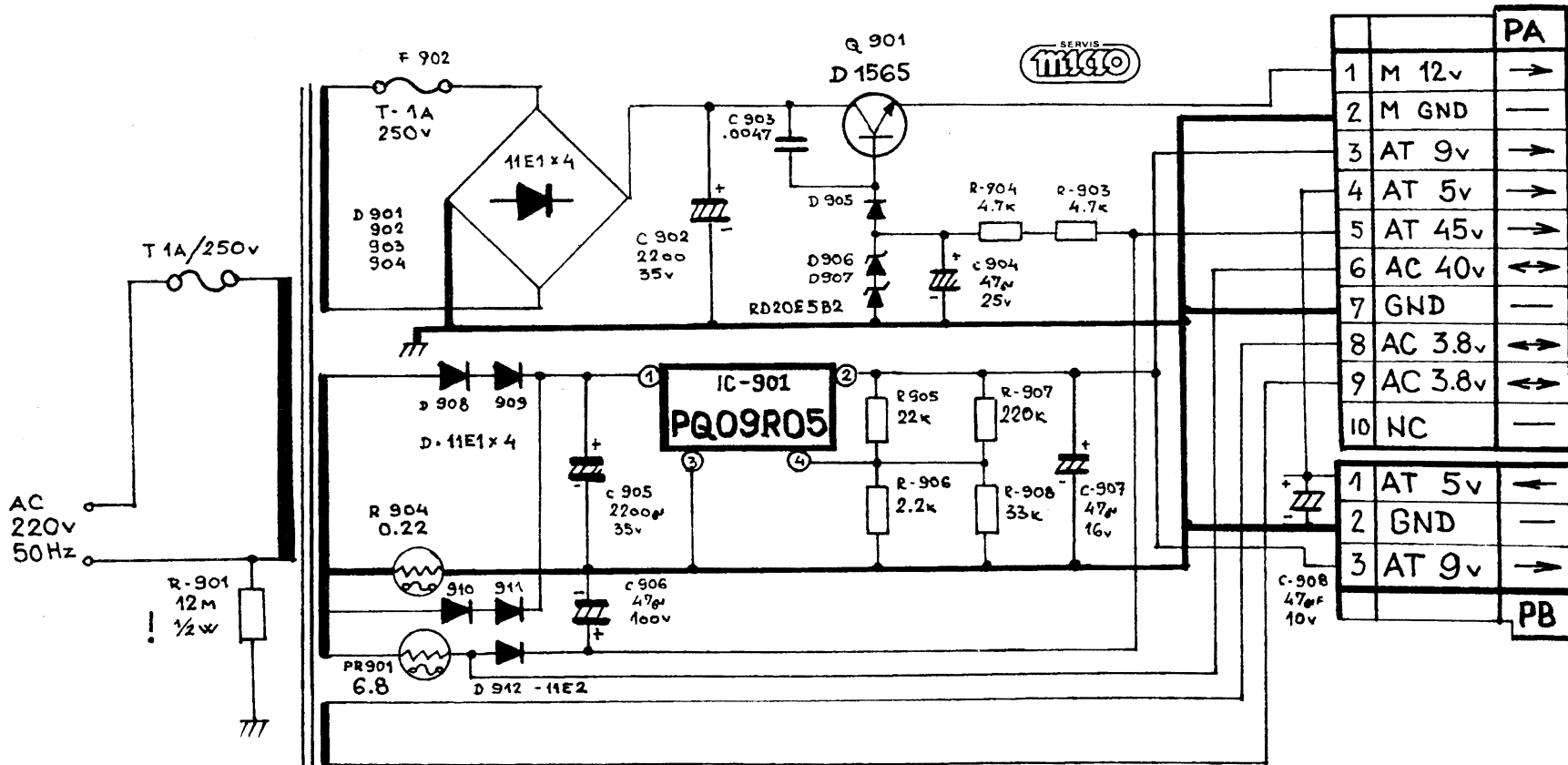


**micro**  
ELECTRONIC  
Dragoljub Janković  
\_microe@ptt.yu  
031/512 402 - 514 582

COLD GND HOT GND 9.3V 4.2V



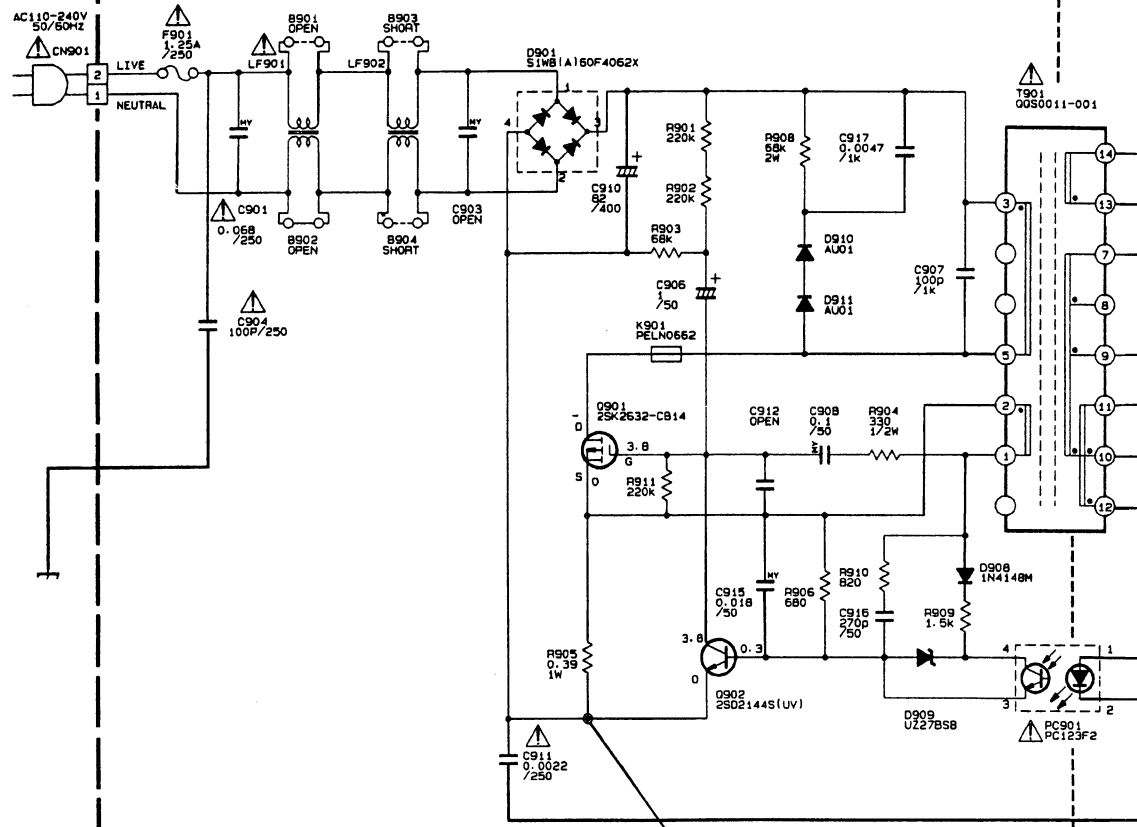
**MIKO**  
ELECTRONIC  
Dragoljub Janković  
microe@ptt.yu  
031/512 402 - 514 582



T-901  
PT 2432

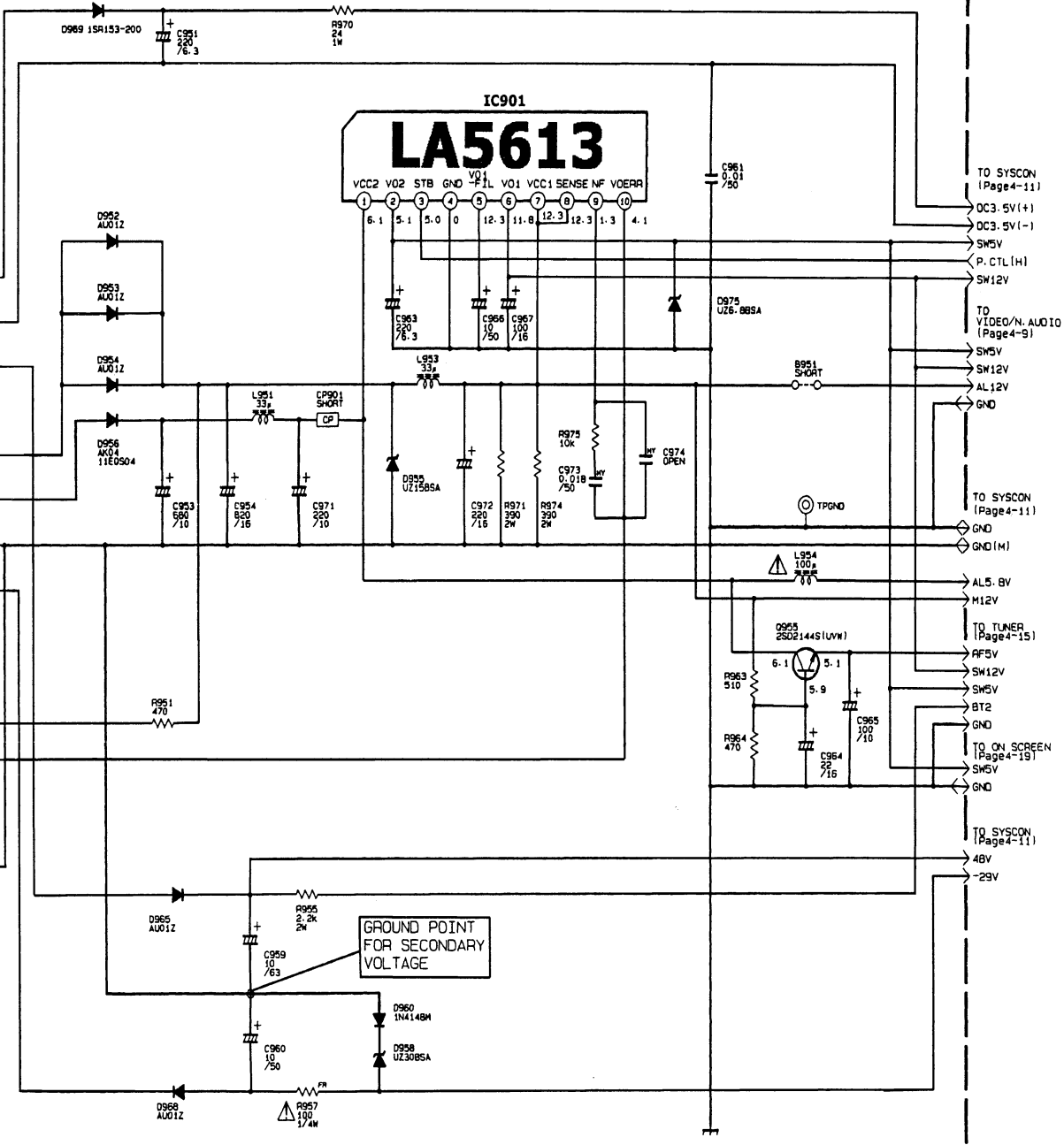
|    |         | PA |
|----|---------|----|
| 1  | M 12v   | →  |
| 2  | M GND   | —  |
| 3  | AT 9v   | →  |
| 4  | AT 5v   | →  |
| 5  | AT 45v  | →  |
| 6  | AC 40v  | ↔  |
| 7  | GND     | —  |
| 8  | AC 3.8v | ↔  |
| 9  | AC 3.8v | ↔  |
| 10 | NC      | —  |
|    |         | PB |
| 1  | AT 5v   | ←  |
| 2  | GND     | —  |
| 3  | AT 9v   | →  |

03 MAIN [SW. REG]



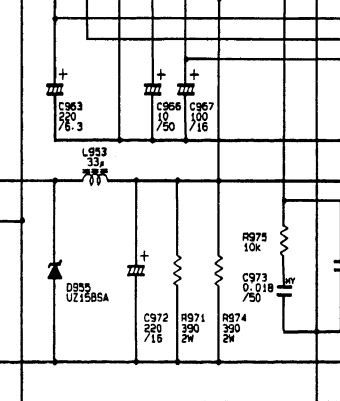
GROUND POINT FOR PRIMARY VOLTAGE

DANGEROUS VOLTAGE



IC901  
**LA5613**

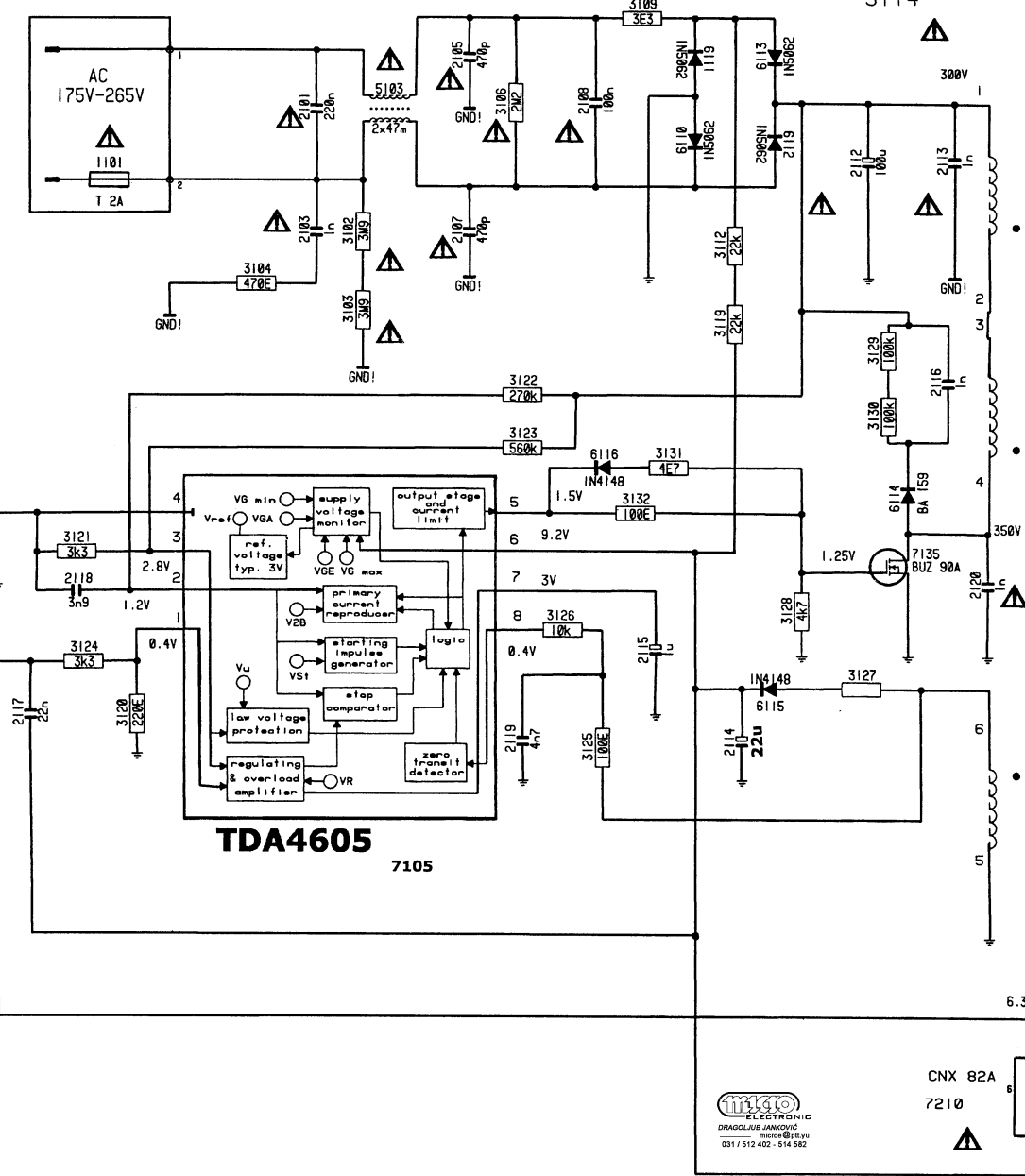
VCC2 V02 STB GND V01 V01 VCC1 SENSE NF VOERR  
1 2 3 4 5 6 7 8 9 10  
6.1 5.1 5.0 0 12.3 11.8 12.3 12.3 1.3 4.1



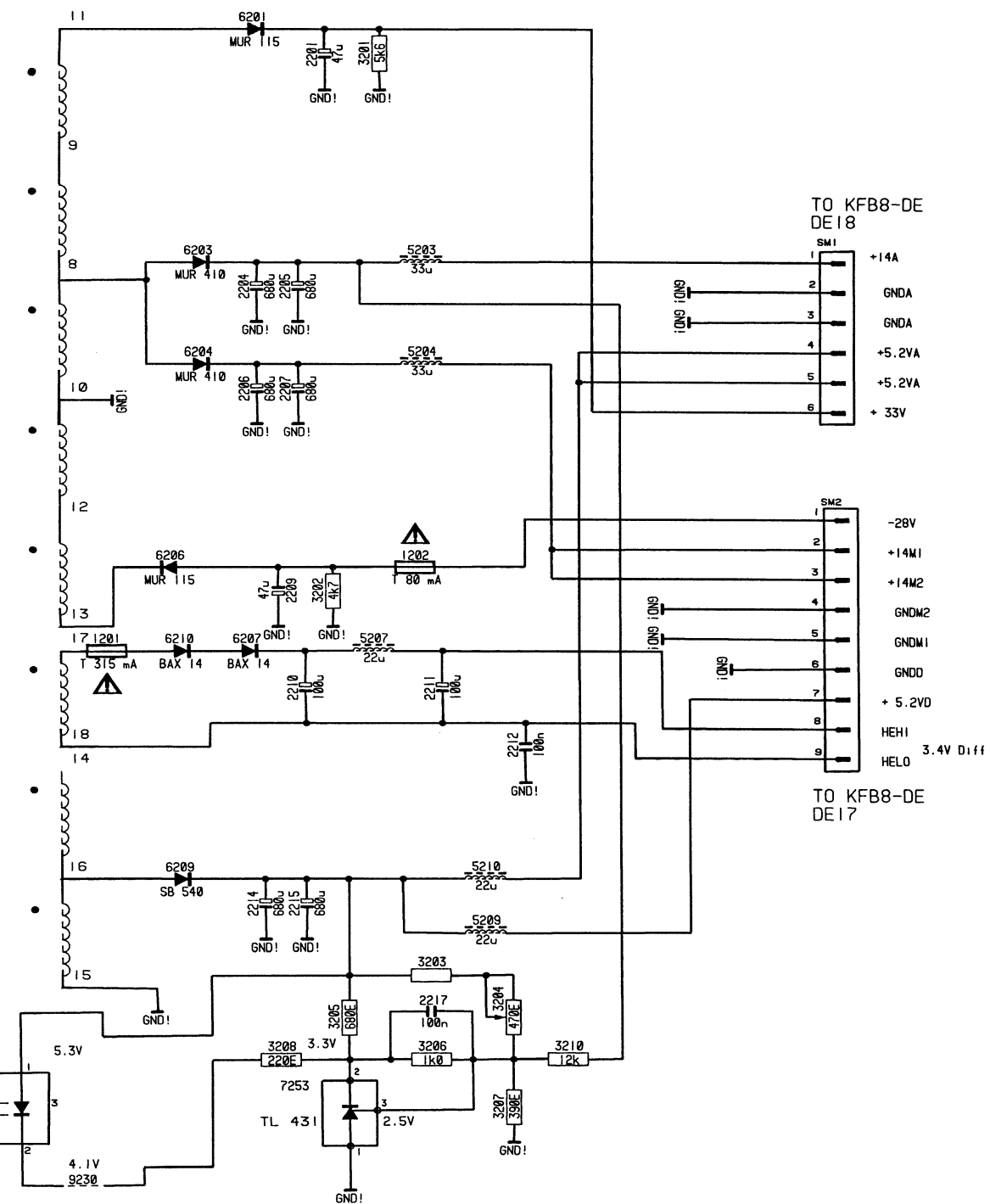
GROUND POINT FOR SECONDARY VOLTAGE

SM POWER TRANS

5114

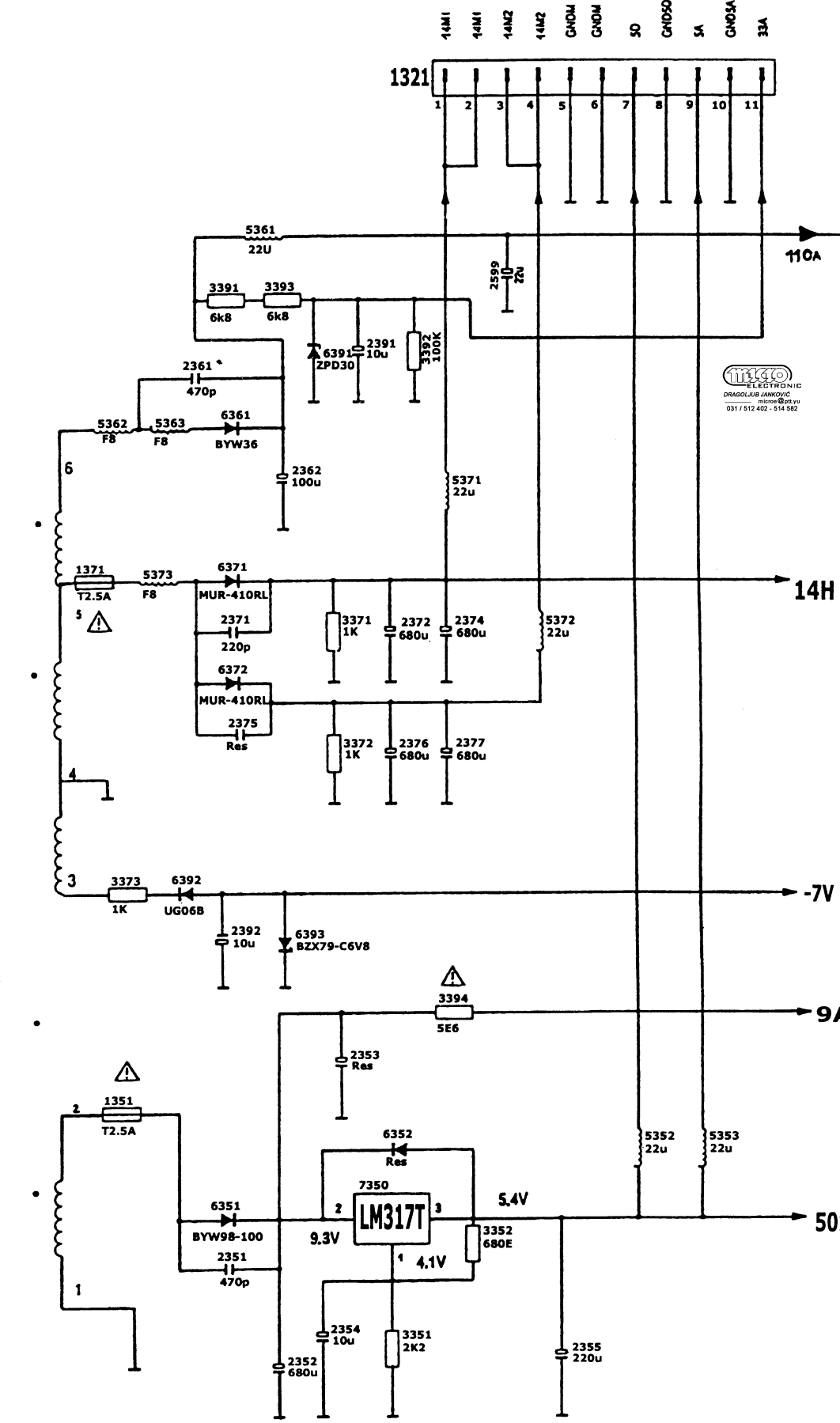
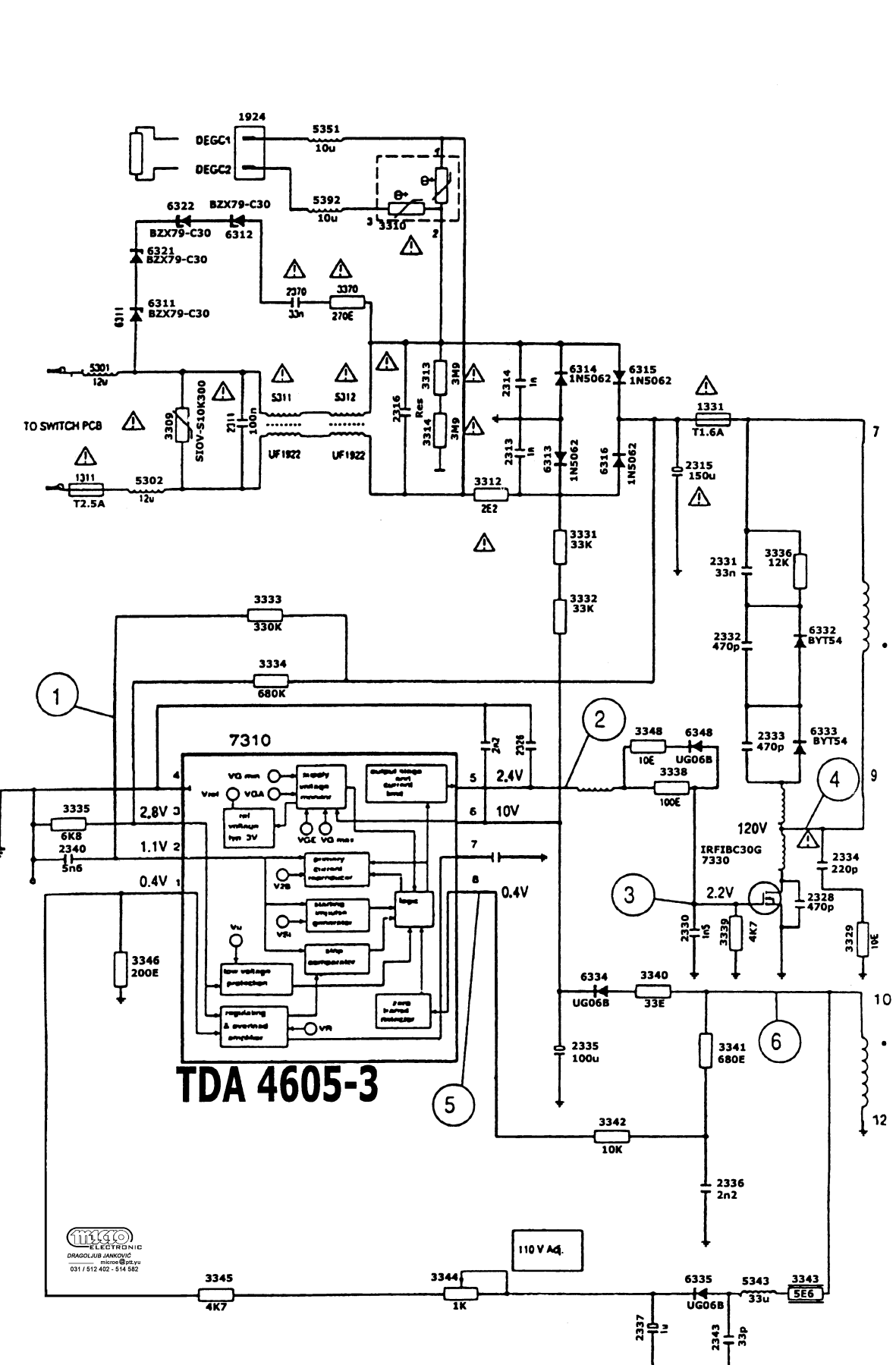


DRAGULJUB JANCIC  
ELECTRONIC  
microweb@ptt.yu  
931 / 512 402 - 514 582



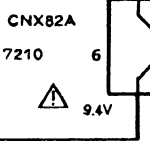
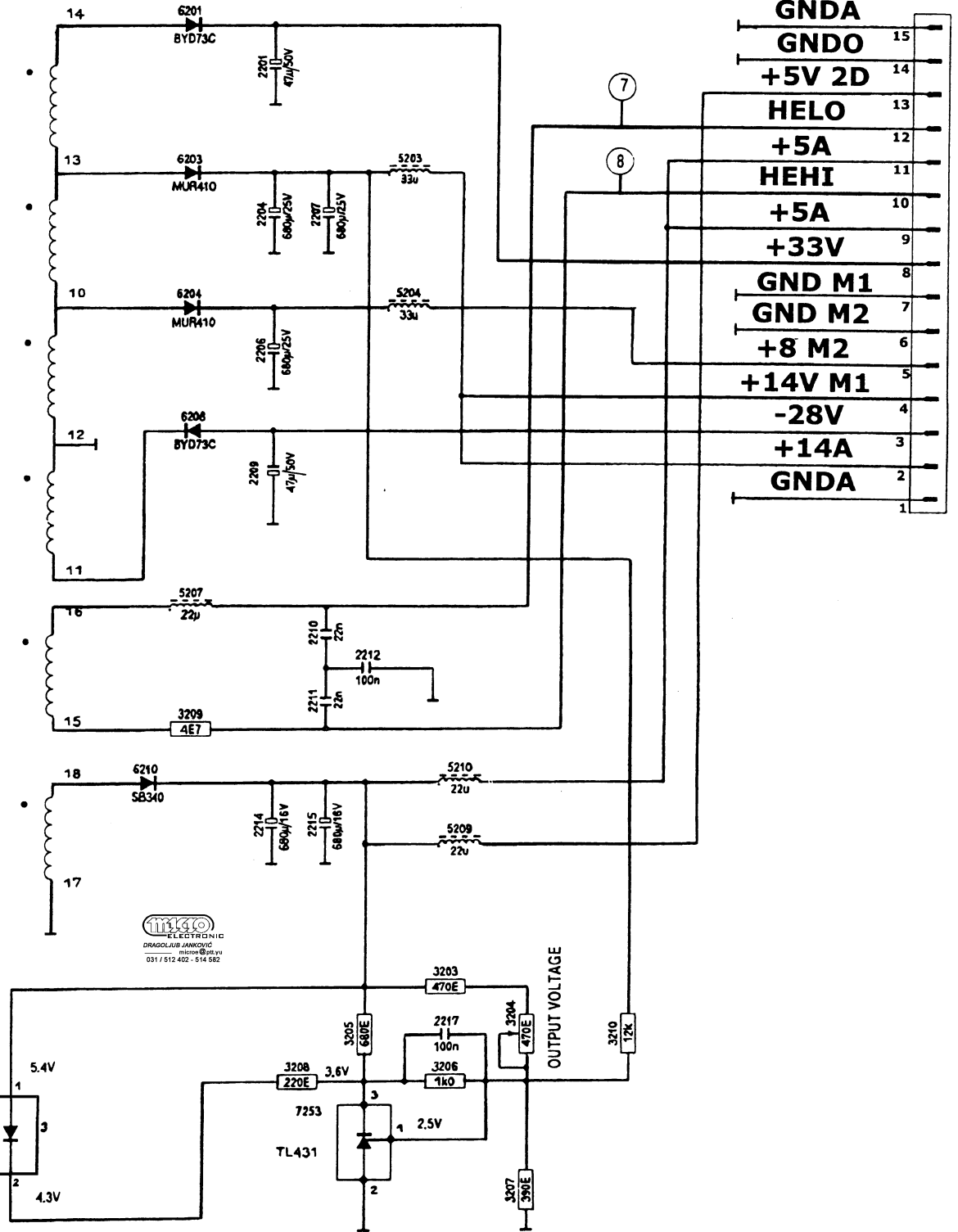
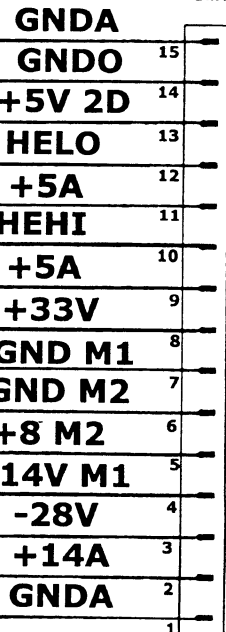
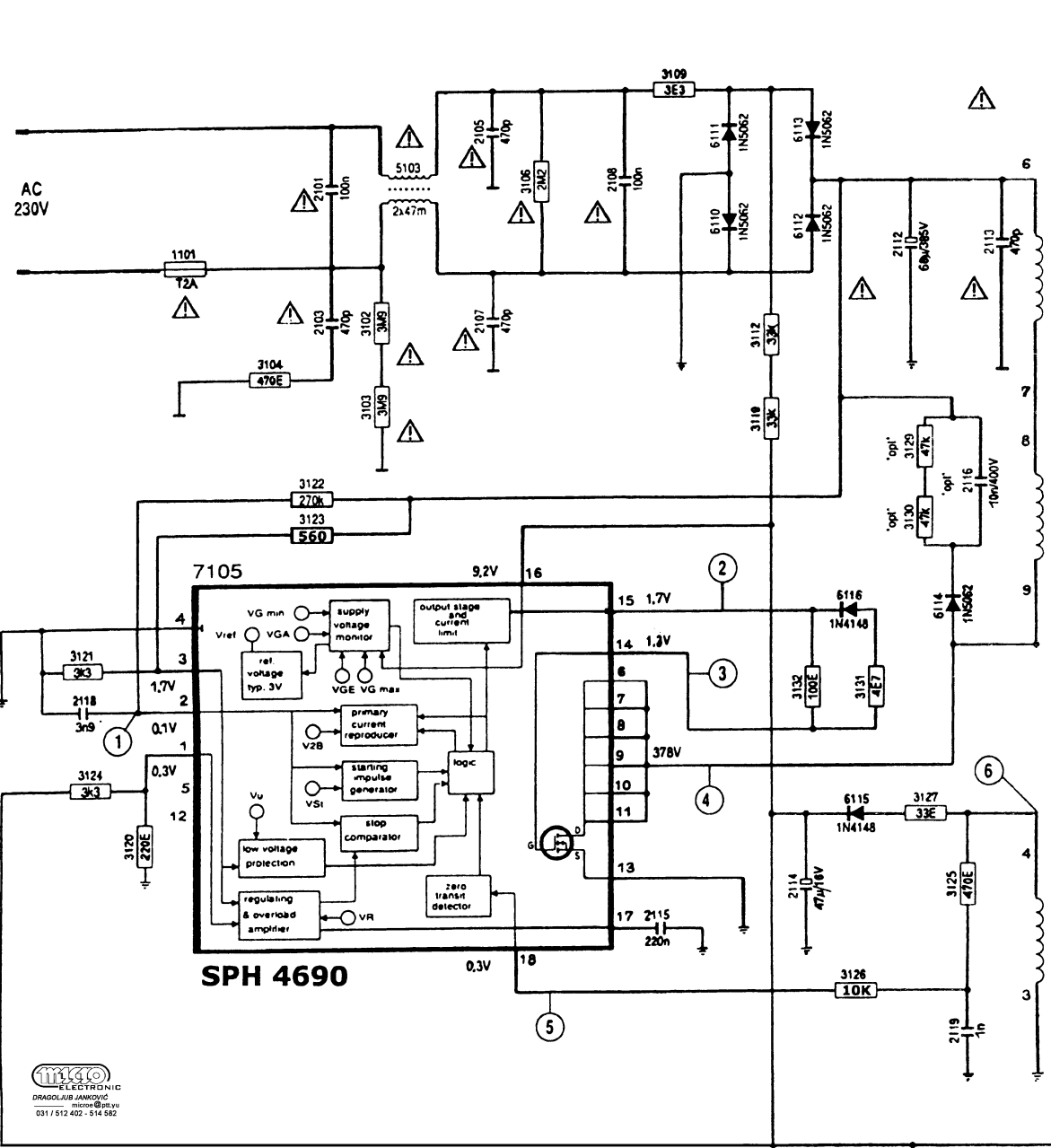
TO KFB8-DE DE18

TO KFB8-DE DE17

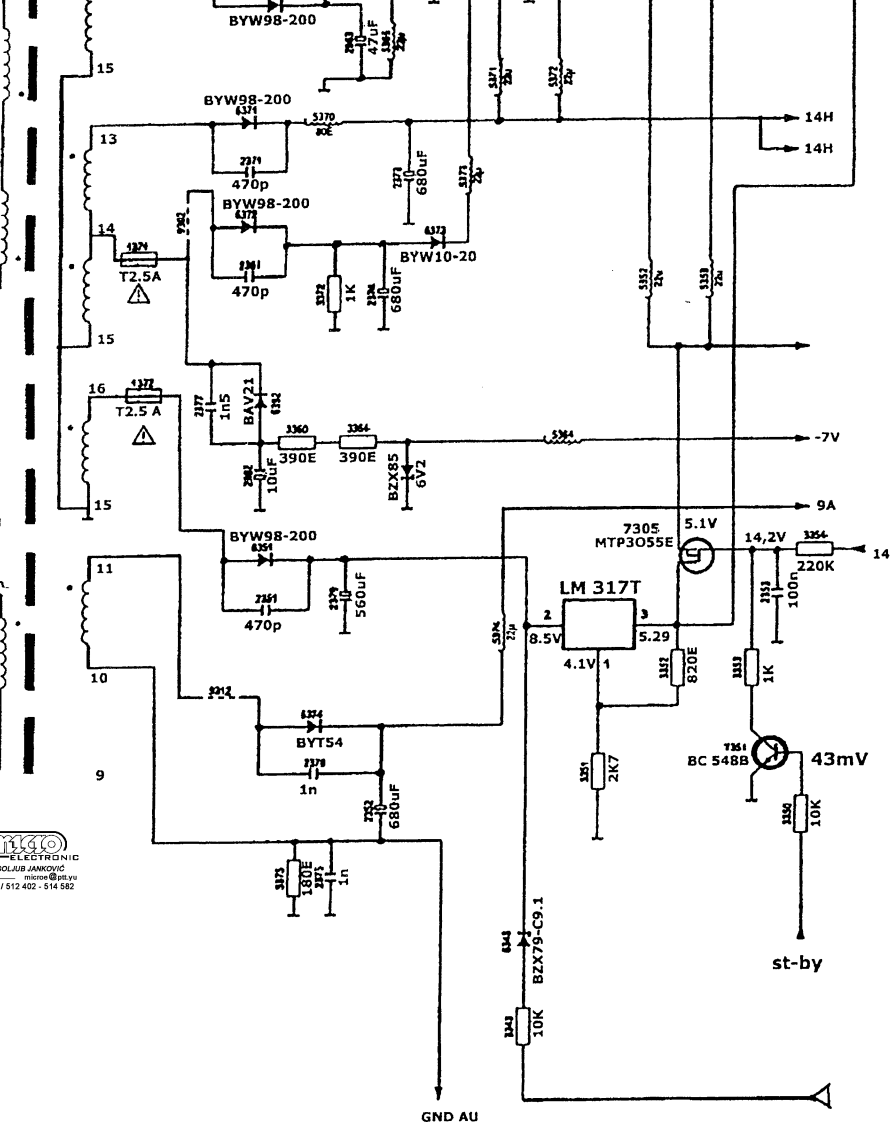
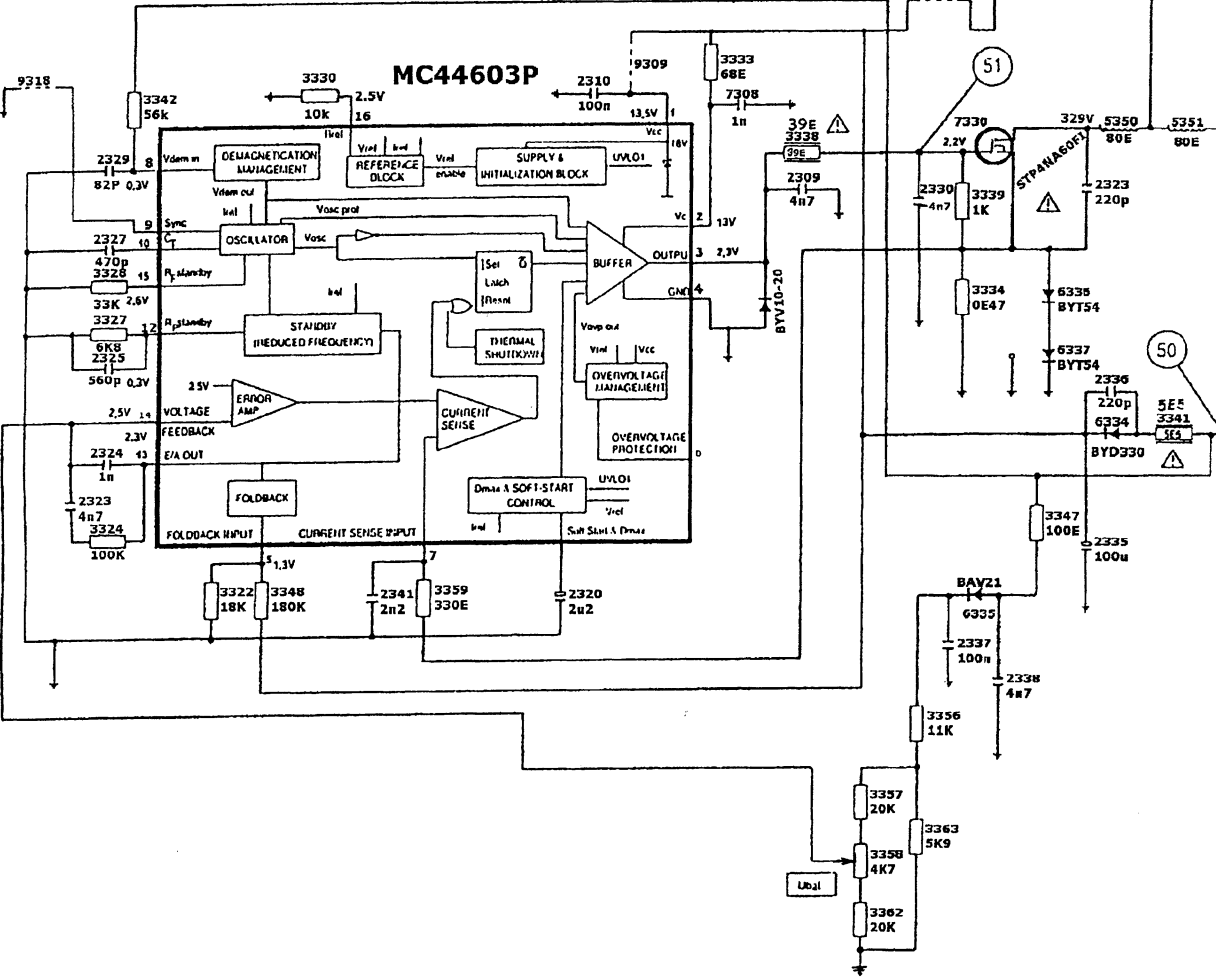
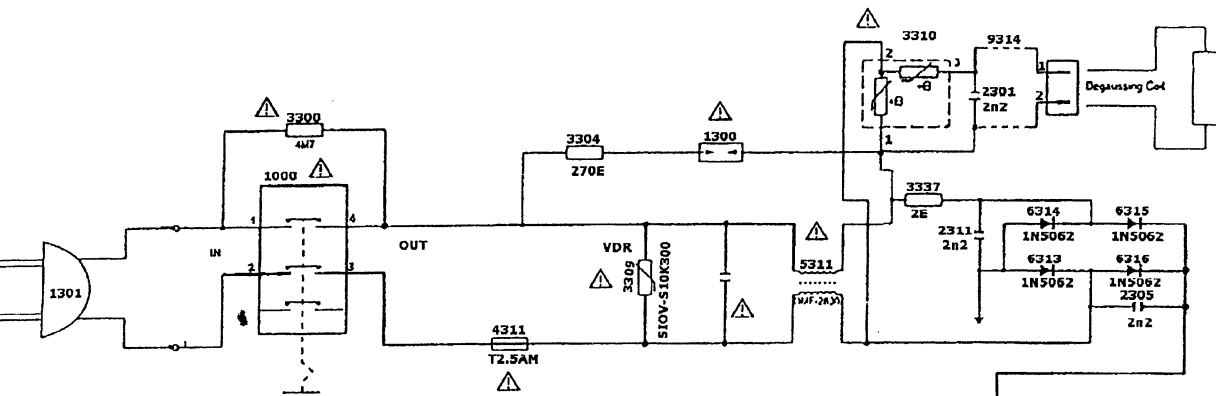


MK40  
ELECTRONIC  
DRAGOLUB JANKOVIC  
micko@b95.yu  
031 / 512 402 - 514 582

AC 230V

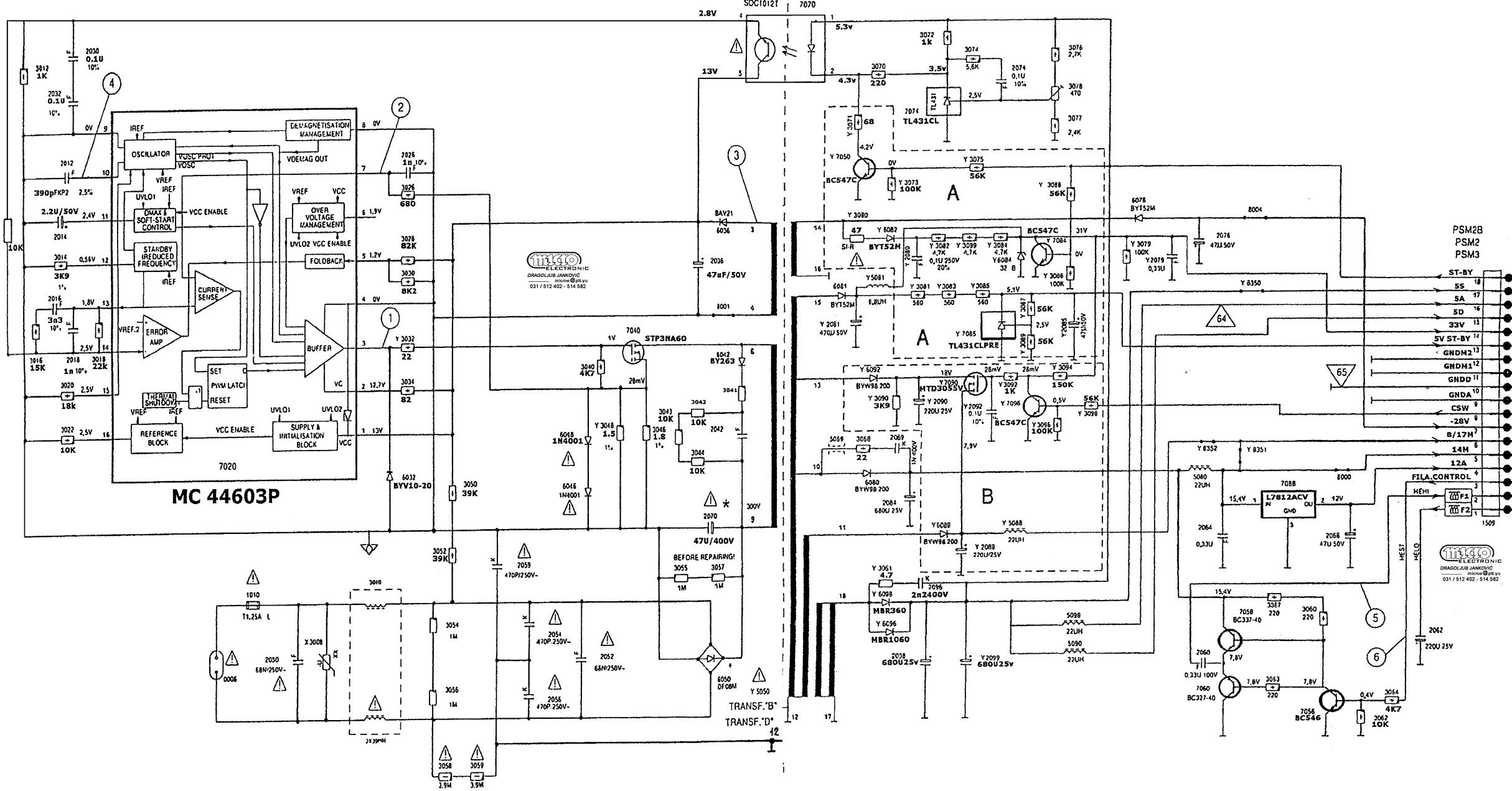


OUTPUT VOLTAGE



**mkd**  
ELECTRONIC  
DRAGULIUS JANKOVIC  
PUSKAS BLDG  
031/512 402 - 514 582





**MC 44603P**

**DRAGOLAV JANKOVIC**  
 031 / 512 402 - 514 582

**DRAGOLAV JANKOVIC**  
 031 / 512 402 - 514 582

PSM2B  
 PSM3  
 PSM3

FILA\_CONTROL

HEAT HELO

DRAGOLAV JANKOVIC  
 031 / 512 402 - 514 582

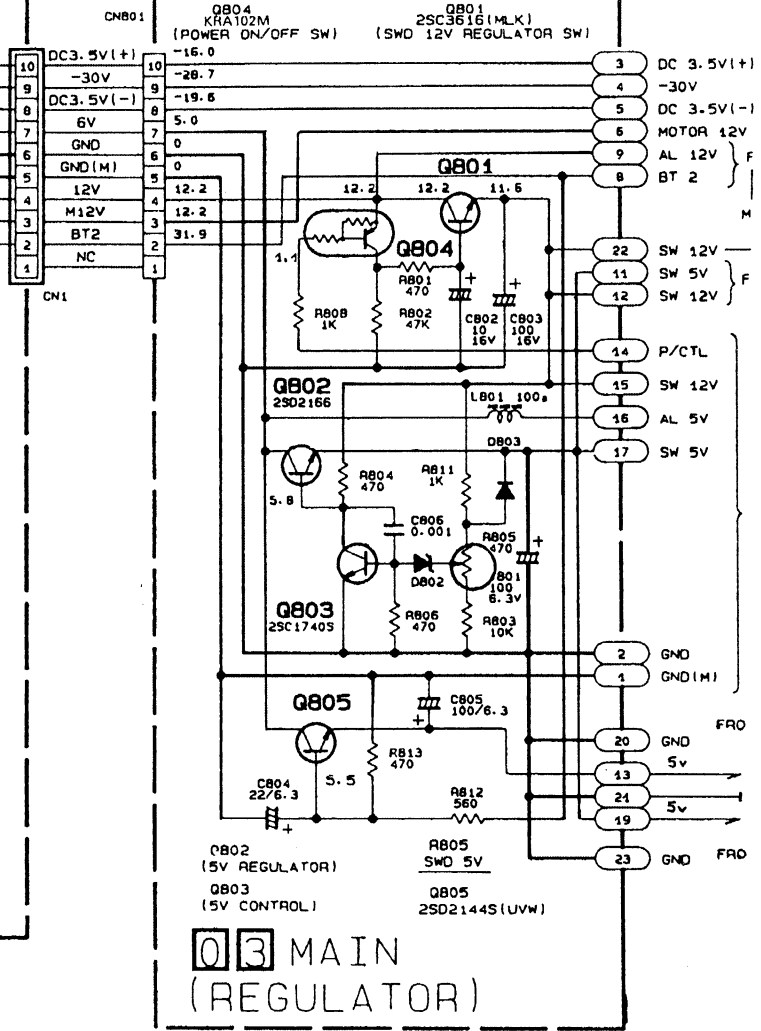
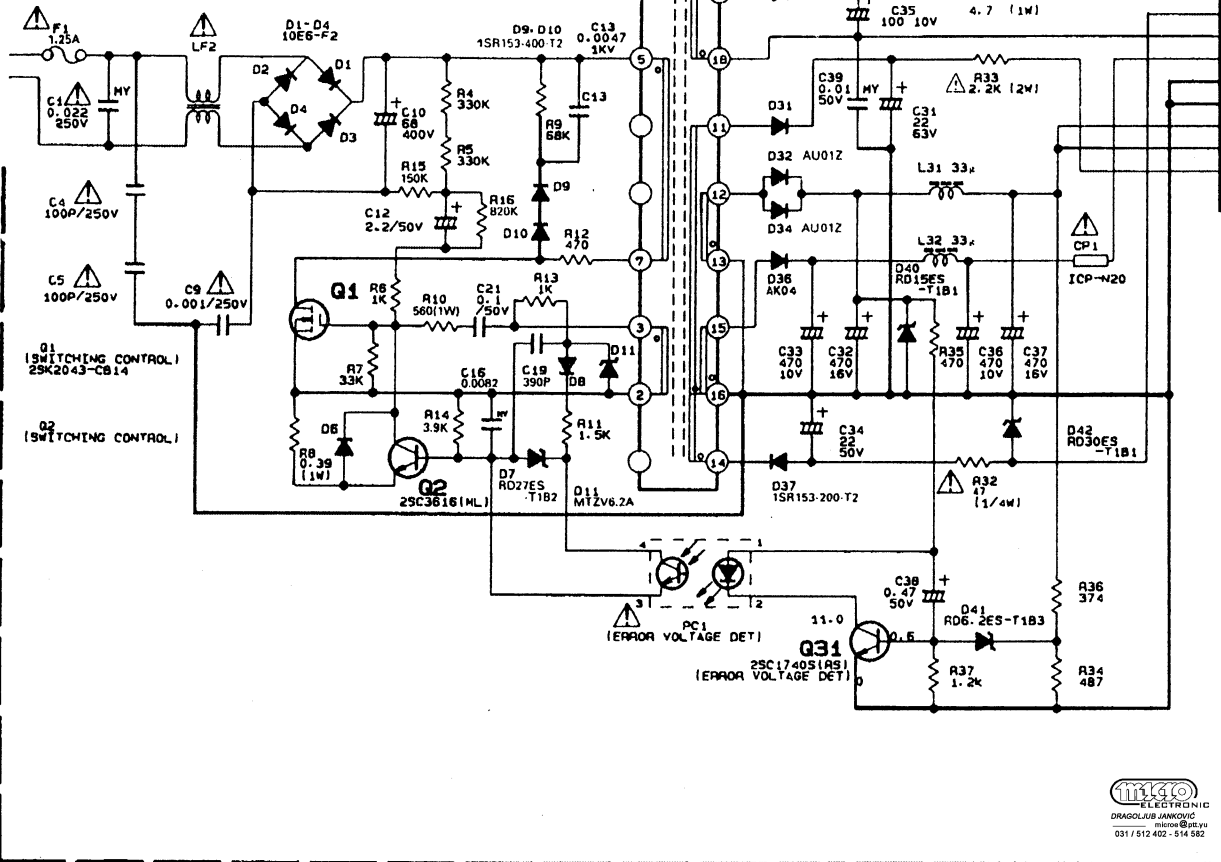
SOC10121 7070

BEFORE REPAIRING!

TRANSF. "B"  
 TRANSF. "D"

- ST-BY 18
- 5A 17
- 5D 16
- 33V 13
- 5V ST-BY 14
- GNDM2 13
- GNDM1 12
- GND 11
- GND 10
- CSW 9
- 28V 8
- B/17M 7
- 14M 6
- 12A 5
- FILA\_CONTROL 4

# 01 SW REGULATOR

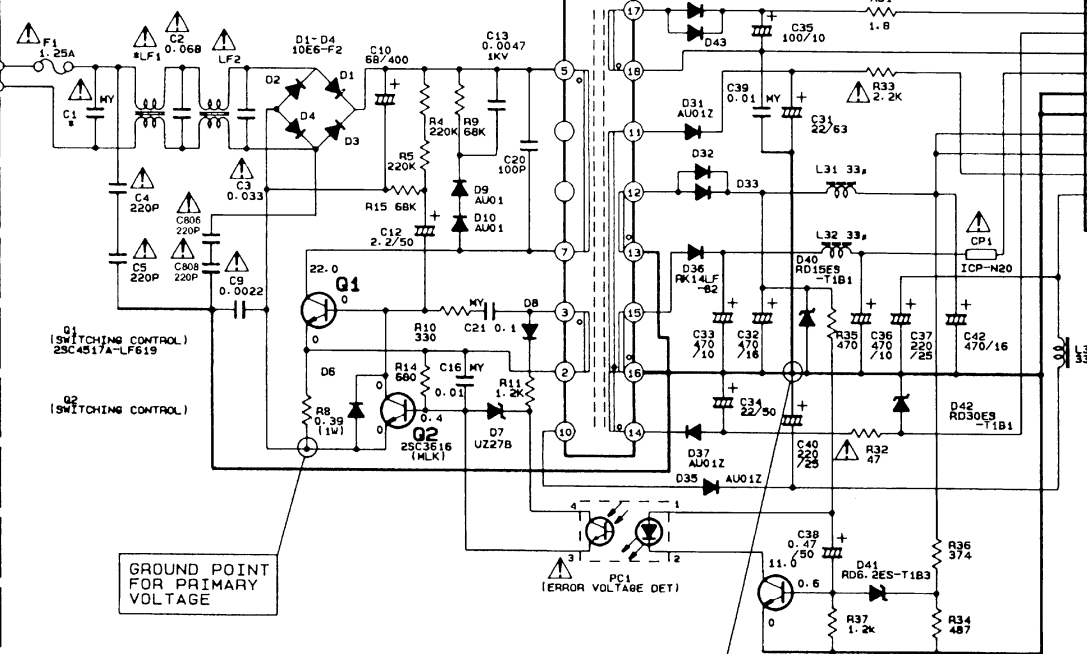


**1140**  
ELECTRONIC  
DRAGULUB JANKOVIC  
PILSON@EUREX  
031 / 512 402 - 514 582

# 03 MAIN (REGULATOR)

# 01 SW REGULATOR

AC220-240V  
50/60HZ

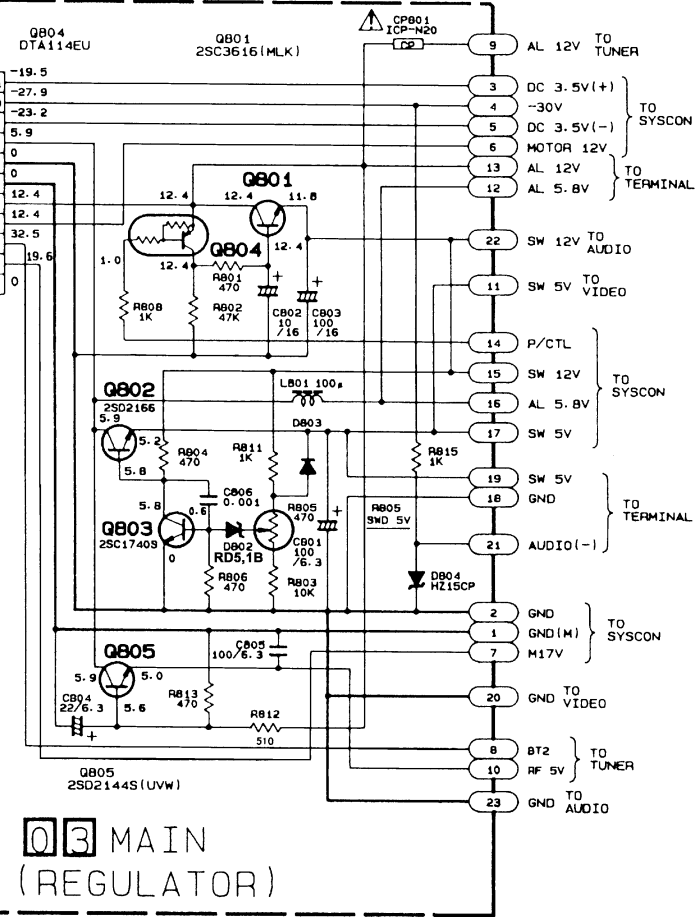


GROUND POINT FOR PRIMARY VOLTAGE

GROUND POINT FOR SECONDARY VOLTAGE

**micro**  
ELECTRONIC  
Dragoljub Jankovic  
microe@ptt.yu  
031/512 402 - 514 582

|    |            |
|----|------------|
| 11 | DC3. 5V(+) |
| 10 | -30V       |
| 9  | DC3. 5V(-) |
| 8  | 6V         |
| 7  | GND        |
| 6  | GND(M)     |
| 5  | 12V        |
| 4  | M12V       |
| 3  | BT2        |
| 2  | M17V       |
| 1  | NC         |



# 03 MAIN (REGULATOR)