



SCHNEIDER
Schneider AG DUAL GmbH
Silvastraße 1
D-86842 TÜRKHEIM

Date : 16.03.00

Service - Info

Unit : Chassis TV 9.xx

No.: 245

Concern:

Verticale line in the right side of the picture

Remedy:

To remove this problem, the soldering rivet Z 601 has to be soldered again

Modifications reserved !



Date : 16.03.00

Service - Info

Unit : Chassis TV 9.xx

No.: 246

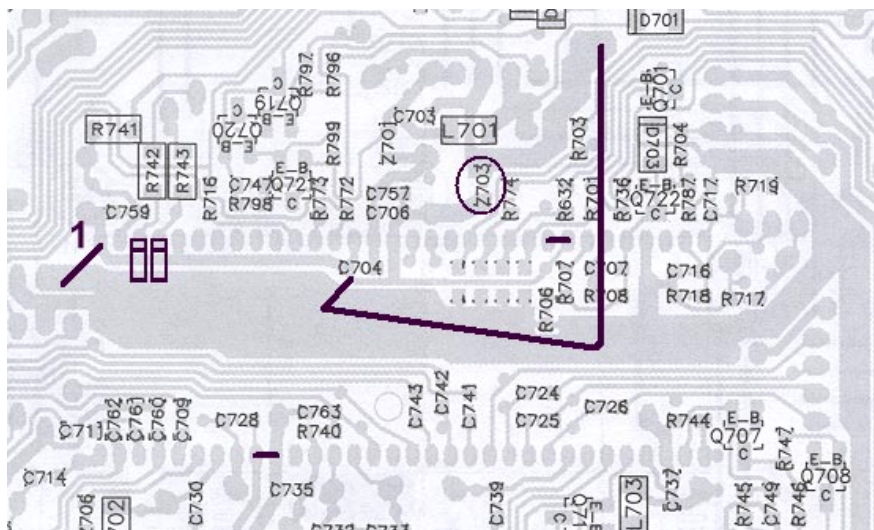
Concern:

Failure of the horizontal deflection Q 304

Remedy:

Following parts have to be componented, controled or removed:

- 1.) A cap cable high voltage - transformer diode split has to be componented
- 2.) The software IC 902 has to be changed through the latest version
- 3.) A circuit connection has to be soldered in from Pin 1 / IC 701 to ground (look the sketch)
- 4.) A circuit connection has to be soldered in from C 704 to ground (look the sketch)
- 5.) The chip Z 703 has to be removed
- 6.) A circuit connection has to be componented like the sketch (six centimetre long)
- 7.) A circuit connection has to be soldered in from IC 701 / Pin 24 to Pin 25
- 8.) A circuit connection has to be soldered in from IC 701 / Pin 55 to Pin 56
- 9.) Two Diode BZT55C 5,6V have to be soldered in from IC 701 / Pin 3 and 4 to ground (anode to ground)



Attention: The modification's was already integrated in production, therefore a modification isn't necessary in all cases.
The changing of IC 902 is only necessary, if the Diode BZT55C wasn't componented in production.

Part number cap cable high voltage: 0105922
Part number Diode BZT55C: 0100789
Part number IC 902: The IC 902 has to be ordered by means of the TV part number.

Modifications reserved !



Date : 18.12.00

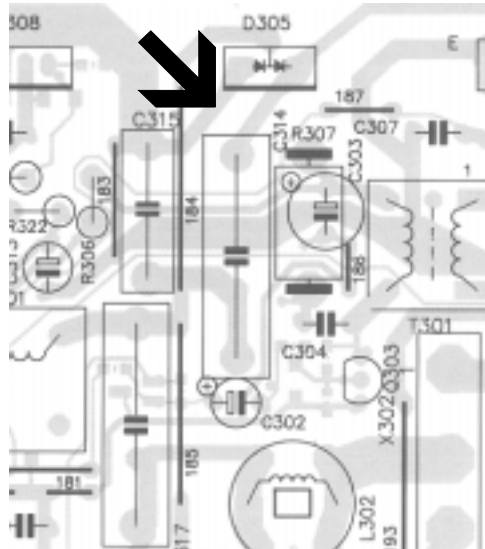
Service - Info

Unit type : Chassis TV9.1 / TV 9.3

No.: 252

Concern: High frequency whistling

Remedy: The high frequency whistling may be caused by coming into contact of the fitting clip / diode D 305 with the capacitor in position C 314. For remedy the capacitor in position C 314 has to be replaced by a smaller version.



Part number capacitor for chassis TV 9.1: 0100865
Part number capacitor for chassis TV 9.3: 0109085

Modifications reserved !



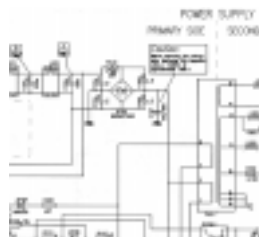
Service information !

Concern: Rectifier / Chassis TV 9.XX (pos. D 102)

In case of service the rectifier in position D 102 has to be replaced by the replacement version alike the below declared sketches.

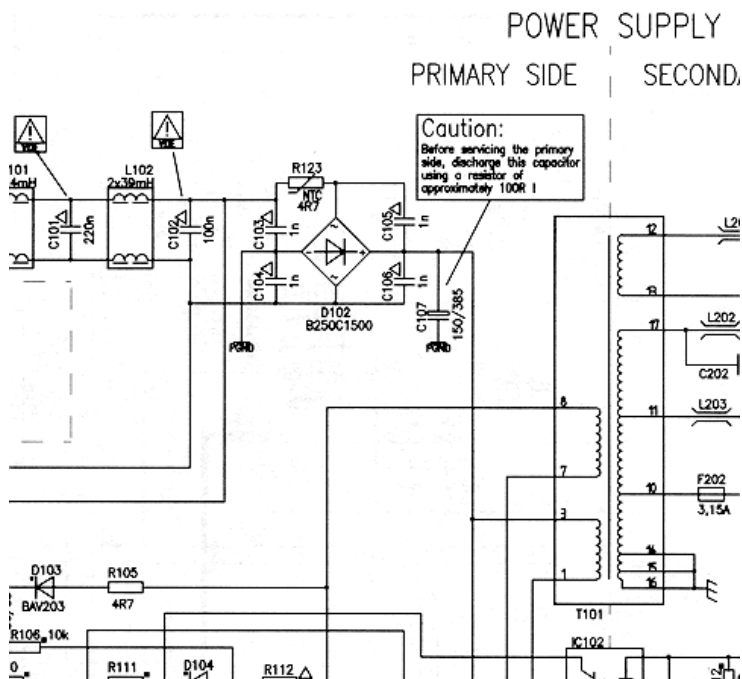


Rectifier „ old “ version



Rectifier „ new “ version

Spare part number rectifier „ new “ version : 0038833



Modification reserved!



Service information !

Unit type : Chassis TV 9.xx Multipage

Concern: Blocking control function by receiving low level or disturbed antenna signal

Concern : Blocking control function by receiving low level or disturbed antenna signal.

Remedy : In case of service the IC in position IC 902 has to be replaced by the latest version.

Attention : Due to several chassis version the IC in position IC 902 has to be ordered depending on the set identification number.



SCHNEIDER

Schneider AG DUAL GmbH

Silvastraße 1
D-86842 TÜRKHEIM

Date : 20.12.99

Service - Info

Unit type : Chassis TV9

KD0002K

no.: 226

Concern:

Black horizontal stripes

Remedy:

The chip-capacitors C 403 and C 404 (100 nF/25V) has to be removed and replaced by a 220 nF / 50V version.

Part number chip-capacitor 220 nF / 50V : 0100057

Modifications already integrated in production.

Modifications reserved !



SCHNEIDER

Schneider AG DUAL GmbH

Silvastraße 1
D-86842 TÜRKHEIM

Date : 20.12.99

Service - Info

Unit type : Chassis TV9

KD0002K

no.: 227

Concern:

Bad vertikal synchronizing of OSD

Remedy:

The chip-resistor in position CR 410 has to be removed, and the chip-capacitor in position CC701 has to be altered in a 1nF version.

Part number chip-capacitor 1 nF / 50V : 0100034

Attention: The modification concerning the chip-capacitors was already integrated in production, therefore a modification may be not necessary in all cases.

Modifications reserved !



Service - Info

Unit type: Chassis TV 9

KD0002K

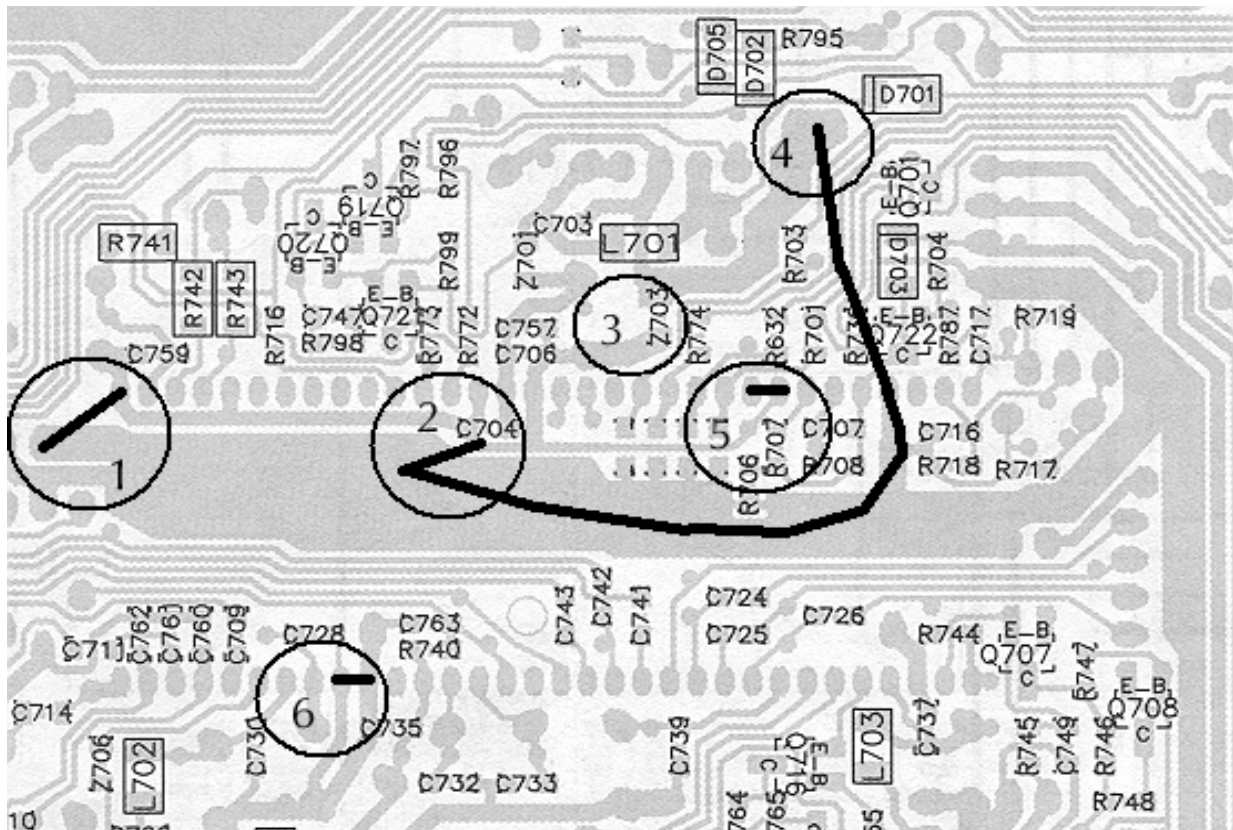
No.:236

Concern: Improvement of the immunity from static discharge.

Remedy: Following parts have to be componented or removed respectively:

Main p.c.b. / IC 701 (wiring side):

- | | |
|------------------------------------------------------|-----------------------------------------------------------------------------------------|
| ❶ Short circuit connection Pin 1 IC 701 ⇒ ground | ❷ Short circuit connection C 704 ⇒ ground |
| ❸ Chip „Z 703“ has to be removed | ❹ Short circuit connection, laying according to below declared diagram (lenght 60 mm) |
| ❺ Short circuit connection IC 701
Pin 24 ⇒ Pin 25 | ❻ Short circuit connection IC 701
Pin 55 ⇒ Pin 56 |



Attention: The modification 1, 2 and 5 are already integrated up to board number 0109040.

Modifications reserved !



SCHNEIDER

Schneider AG

DUAL GmbH

Silvastraße 1

D-86842 TÜRKHEIM

Date : 28.12.99

Service - Info

Unit : Chassis TV 9

KD0002K

No.: 240

Concern: AV / RGB position

Remedy: The horizontal RGB position can be altered in the servicemode / alignment parameter „Horizontal Pos. RGB“ .

Service-Mode:

Simultaneously press and then release the red and blue button on the remote control. Simultaneously press and then release within 5 seconds the buttons „ program + “ and „ volume - “ at the local control panel. The main service menu appears on the screen :

4 : 3

Service Mode TV 9 Version XX

OK . . save TV . . leave menu

Select the parameter „Horizontal Pos. RGB “ with the button ▲/▼ (program + / -) on the remote control. The RGB menu appears on the screen:

4 : 3

Horizontal Pos. RGB - 10

OK . . save TV . . leave menu

Alter with the buttons ◀/▶ (volume + / -) the on the remote control the horizontal position best possible. Press the button „ **OK** “ on the remote control to store it. Press the button „ **TV** “ to leave the service mode.

Modifications reserved !



SCHNEIDER

Schneider AG DUAL GmbH

Silvastraße 1

D-86842 TÜRKHEIM

Date: 17.07.00

Service-Info

Concern : TV 9 NVM values depending on the set type

Info 241

The chassis TV 9 exists in different versions and was used with several picture tubes. After an EEPROM swap or after a new initialisation the geometry, video and program parameter will be deleted and replaced by standard values. Therefore these parameter have to be set again. But attention, **at first** the set has to be set into the delivery status (info menu / parameter „reset“) alike the instruction manual. **After** that, the below declared NVM addresses have to be observed and if necessary to be altered according the below declared table:

Picture tube:	NVM-Values for Chassis TV9.1 B/G + TV9.1 B/G-PIP											
	0059	005A	005E	0062	0E30	0E31	0E40	0E44	0066	0080	0E50	0E80
A59EMZ07X... + A59TMZ43X...	0F	00	31	17	FE	00	BC	2D	0F	69	2C	01
A59EMZ05X...	31	01	2D	17	FE	00	CA	2D	0F	69	30	01
A59ECF50X...	-	-	-	16	2C	01	B4	64	0F	69	30	01
A66EAK552X... + A66EAK071X...	-	-	-	16	2C	01	B4	90	0F	69	2B	01
A66EHJ43X...	0E	-	-	16	C8	00	D5	5F	0F	69	30	01
A63EQQ50X...	-	-	-	16	FE	00	D1	64	0F	69	2C	01
A66EMZ43X...	0F	00	31	17	FE	00	C4	47	0F	69	2C	01
A66ECF50X...	-	-	-	-	2C	01	C2	55	-	-	2B	01
	0082	0068	0069	006A	006B	0078	0200	0201	0202	0049	0E1D	
A59EMZ07X... + A59TMZ43X...	00	B9	01	C5	01	6D	1D	18	15	00	04	
A59EMZ05X...	00	-	-	-	-	-	1D	18	15	00	04	
A59ECF50X...	00	-	-	-	-	-	1D	18	15	00	04	
A66EAK552X... + A66EAK071X...	00	B0	01	BB	01	6D	1D	18	15	00	04	
A66EHJ43X...	00	AA	01	B0	01	70	1D	18	15	00	04	
A63EQQ50X...	00	A1	01	B1	01	6D	1B	16	15	00	04	
A66EMZ43X...	00	B9	01	C5	01	6D	1D	18	15	00	04	
A66ECF50X...	00	B2	01	BE	01	6D	1D	18	15	00	04	

Picture tube:	NVM-Values for Chassis TV9.1 B/G – Dolby / Part 1															
	0059	005A	005E	0062	0E30	0E31	0E40	0E44	0066	0300	0080	0302	0E50	030E	0E80	0422
A59EMZ07X... + A59TMZ43X...	0F	00	31	17	FE	00	BC	2D	0F	23	69	00	2C	1C	01	00
A59EMZ05X...	31	01	2D	17	FE	00	CA	2D	0F	23	69	00	30	1C	01	00
A59ECF50X...	-	-	-	16	2C	01	B4	64	0F	23	69	00	30	1C	01	00
A66EAK552X... + A66EAK071X...	-	-	-	16	2C	01	B4	90	0F	23	69	00	2B	1C	01	00
A66EHJ43X...	0E	-	-	16	C8	00	D5	5F	0F	23	69	00	30	1C	01	00
A63EQQ50X...	-	-	-	16	FE	00	D1	64	0F	23	69	00	2C	1C	01	00
A66EMZ43X...	0F	00	31	17	FE	00	C4	47	0F	23	69	00	2C	1C	01	00

NVM-Values for Chassis TV9.1 B/G – Dolby / Part 2												
Picture tube :	0082	0068	0069	006A	006B	0078	0200	0201	0202	0049	0E1D	
A59EMZ07X... + A59TMZ43X...	00	B9	01	C5	01	6D	1D	18	15	00	04	
A59EMZ05X...	00	-	-	-	-	-	1D	18	15	00	04	
A59ECF50X...	00	-	-	-	-	-	1D	18	15	00	04	
A66EAK552X... + A66EAK071X...	00	B0	01	BB	01	6D	1D	18	15	00	04	
A66EHJ43X...	00	AA	01	B0	01	70	1D	18	15	00	04	
A63EQQ50X...	00	A1	01	B1	01	6D	1B	16	15	00	04	
A66EMZ43X...	00	B9	01	C5	01	6D	1D	18	15	00	04	

NVM-Values for Chassis TV9.1 Multi / Multi-PIP / Multi-Dolby												
Picture tube:	0059	005A	005E	0062	0E30	0E31	0E40	0E44	0066	0080	0E20	0E50
A59EMZ07X... + A59TMZ43X...	0F	00	31	17	FE	00	BC	2D	0F	69	01	2C
A59EMZ05X...	31	01	2D	17	FE	00	CA	2D	0F	69	01	30
A59ECF50X...	-	-	-	16	2C	01	B4	64	0F	69	01	30
A66EAK552X... + A66EAK071X...	-	-	-	16	2C	01	B4	90	0F	69	01	2B
A66EHJ43X...	0E	-	-	16	C8	00	D5	5F	0F	69	01	30
A63EQQ50X...	-	-	-	16	FE	00	D1	64	0F	69	01	2C
A66EMZ43X...	0F	00	31	17	FE	00	C4	47	0F	69	01	2C
A66ECF50X...	-	-	-	-	2C	01	C2	55	-	-	2B	01
	0C03*	0068	0069	006A	006B	0078	0200	0201	0202	0049	0E1D	
A59EMZ07X... + A59TMZ43X...	2A	B9	01	C5	01	6D	1D	18	15	00	04	
A59EMZ05X...	2A	-	-	-	-	-	1D	18	15	00	04	
A59ECF50X...	2A	-	-	-	-	-	1D	18	15	00	04	
A66EAK552X... + A66EAK071X...	2A	B0	01	BB	01	6D	1D	18	15		04	
A66EHJ43X...	2A	AA	01	B0	01	70	1D	18	15	00	04	
A63EQQ50X...	2A	A1	01	B1	01	6D	1B	16	15	00	04	
A66EMZ43X...	2A	B9	01	C5	01	6D	1D	18	15	00	04	
A66ECF50X...	2A	B2	01	BE	01	6D	1D	18	15	00	04	

* (Only for „PIP“)

NVM-Values for Chassis TV 9.1 Nicam I															
Picture tube:	0049	0068	0069	006A	006B	0078	0200	0201	0202	0300	050F	0D19	0D1A	0D1C	0D02
A 66 EHJ43 X...	00	AA	01	B0	01	70	1D	18	15	11	01	01	00	00	03
A 66 ECF50X...	00	B2	01	BE	01	6D	1D	18	15	11	01	01	00	00	03
	0D03	0E00	0E20	0E30	0E31	0E40	0E44	0E50							
A 66 EHJ43 X...	01	11	01	C8	00	D5	7F	2B							
A 66 ECF50 X...	01	11	01	2C	01	C2	5F	2B							

NVM-Values for Chassis TV9.2 Multi												
Picture tube:	0066	0080	0E20	0E50	0059	0062	0E30	0E31	0E40	0E44	0E1E	00AB
A66EHJ43X...	0F	69	01	2F	0E	16	C8	00	D5	5F	01	-
A66EAK552X... + A66EAK071X...	0F	69	01	2F	-	16	2C	01	B4	64	01	-
A80AEJ13X...	0F	69	01	2A	-	16	C8	00	D7	54	01	CC

NVM-Values for Chassis TV9.2 Multi Dolby PIP																
Picture tube:	0066	0080	0300	0302	030E	0422	0E20	0E50	0059	0062	0E30	0E31	0E40	0E1E	0E44	00AB
A66EHJ43X...	0F	69	23	00	1C	00	01	2F	0E	16	C8	00	D5	01	5F	-
A66EAK552X... + A66EAK071X...	0F	69	23	00	1C	00	01	2F	-	16	2C	01	B4	01	64	-
A80AEJ13X...	0F	69	23	00	1C	00	01	2A	-	16	C8	00	D7	01	54	CC

NVM-Values for Chassis TV9.3 B/G																
Picture tube:	008A	0D19	0E24	0E26	0E28	0E50	0E60	0E64	0E6C	0E70	0E78	0E79	0E7A	0E7B	0E7C	0E7D
W66EHU13X...	3D	01	C3	3D	89	2C	26	D3	56	99	B0	00	B0	00	5E	01
	0E7E	0E7F	0E84	0E86	0E88	0E8A	0E8C	0E8E	0E8F	0E90	0E91	0E22	0E30	0E31	0E48	0E4A
	5E	01	AA	5A	88	B0	50	00	04	00	04	01	13	01	30	17

NVM-Values for Chassis TV9.3 Multi																	
Picture tube:	008A	0D19	0E20	0E24	0E26	0E28	0E50	0E60	0E64	0E6C	0E70	0E78	0E79	0E7A	0E7B	0E7C	0E7D
W66EHU13X...	3D	01	01	C3	3D	89	2C	26	D3	56	99	B0	00	B0	00	5E	01
	0E7E	0E7F	0E84	0E86	0E88	0E8A	0E8C	0E8E	0E8F	0E90	0E91	0E22	0E30	0E31	0E48	0E4A	
	5E	01	AA	5A	88	B0	50	00	04	00	04	01	12	01	30	17	

NVM-Values for Chassis TV9.4 B/G															
Picture tube:	0049	0066	0080	005C	00AB	0200	0201	0202	0203	0E30	0E31	0E40	0E44	0E50	0E80
A51EER13X... + A51JSY63X...	00	0F	69	3C	90	1A	1A	17	17	B0	00	DF	04	31	01

NVM-Values for Chassis TV 9.6 B/G															
Picture tube:	0049	0059	0062	0068	0069	006A	006B	00C2	00C3	0200	0201	0202	031C	0E60	0E61
A66 E H J 43X...	00	-	-	98	01	A7	01	1A	1D	1D	18	15	03	C8	00
A66 E A K 71X...	00	-	-	A0	01	AC	01	1A	1D	1D	18	15	03	2C	01
A66 E M Z 43X...	00	-	-	A0	01	AC	01	1A	1D	1D	18	15	03	FE	00
A66 E C F 50X...	00	0F	17	A0	01	AC	01	1A	1D	1D	18	15	03	FE	00
	0E70	0E74	0E78	0E7A	0E80	0EBE	0EB0	0ED4	0EE1	0EE2					
A66 E H J 43X...	33	60	10	33	29	04	01	64	FF	02					
A66 E A K 71X...	54	19	10	33	2B	04	01	64	FF	02					
A66 E M Z 43X...	4F	51	10	33	2B	04	01	64	FF	02					
A66 E C F 50X...	4F	51	10	33	2B	04	01	64	FF	02					

NVM-Values for Chassis TV 9.6 Multi															
Picture tube:	0049	0059	0062	0068	0069	006A	006B	00C2	00C3	0200	0201	0202	031C	0E60	0E61
A66 E H J 43X...	00	-	-	98	01	A7	01	1A	1D	1D	18	15	03	C8	00
A66 E A K 71X...	00	-	-	A0	01	AC	01	1A	1D	1D	18	15	03	2C	01
A66 E M Z 43X...	00	-	-	A0	01	AC	01	1A	1D	1D	18	15	03	FE	00
A66 E C F 50X...	00	0F	17	A0	01	AC	01	1A	1D	1D	18	15	03	FE	00
	0E70	0E74	0E78	0E7A	0E80	0EBE	0ED4	04B7	04BA	04CE	0E50	0EE1	0EE2		
A66 E H J 43X...	33	60	10	33	29	04	64	01	02	03	01	FF	02		
A66 E A K 71X...	54	19	10	33	2B	04	64	01	02	03	01	FF	02		
A66 E M Z 43X...	4F	51	10	33	2B	04	64	01	02	03	01	FF	02		
A66 E C F 50X...	4F	51	10	33	2B	04	64	01	02	03	01	FF	02		

NVM-Values for Chassis TV 9.9															
Picture tube:	0049	0059	0062	0066	0068	0069	006A	006B	00A6	00C3	0200	0201	0202	031C	0E4E
A66 EHJ 43X...	00	0E	-	0F	CD	01	DB	01	01	17	1D	18	15	03	01
A66 EMZ 43X...	00	0F	17	0F	E5	01	F0	01	01	17	1D	18	15	03	01
	0E60	0E70	0E74	0E80											
A66 EHJ 43X...	C8	D5	5F	-											
A66 EMZ 43X...	FE	-	47	2C											

For information: If the sound disappear after the IC swap (IC 904) the „new initialisation of the channel positions“ has to be taken according service manual TV 9.

Additional the NVM address 0ED2 has to be set according the following table depending on the tuner type:

Set the NVM-address:	To NVM-Data :
0ED2	00 = Tuner 5002 PH5 or 01 = Tuner 6002 PH5

Service-Mode:

Simultaneously press and then release the **red** (picture menu) and **blue** (videotext) button on the remote control. Simultaneously press and then release within 5 seconds the buttons „program -“ and „volume +“ at the local control panel. The NVM menu appears on the screen. Select with the buttons „▲ / ▼“ on the remote control the parameter „NVM addr.“ The NVM menu appears on the screen.

The settings can be selected with the **red** (picture menu) button on the remote control and changed with buttons „volume +“ and „volume -“. Each changing of an address has to be stored **separately** with the button „OK“ on the remote control. After the changing of the addresses leave the service mode with the button „TV“ . To activate the modification switch off the set with the main power switch and start it again.

Attention: The changing of other addresses can effect further failure!

Modifications reserved !



Date : 21.12.99

Service - Info

Unit : Chassis TV 9

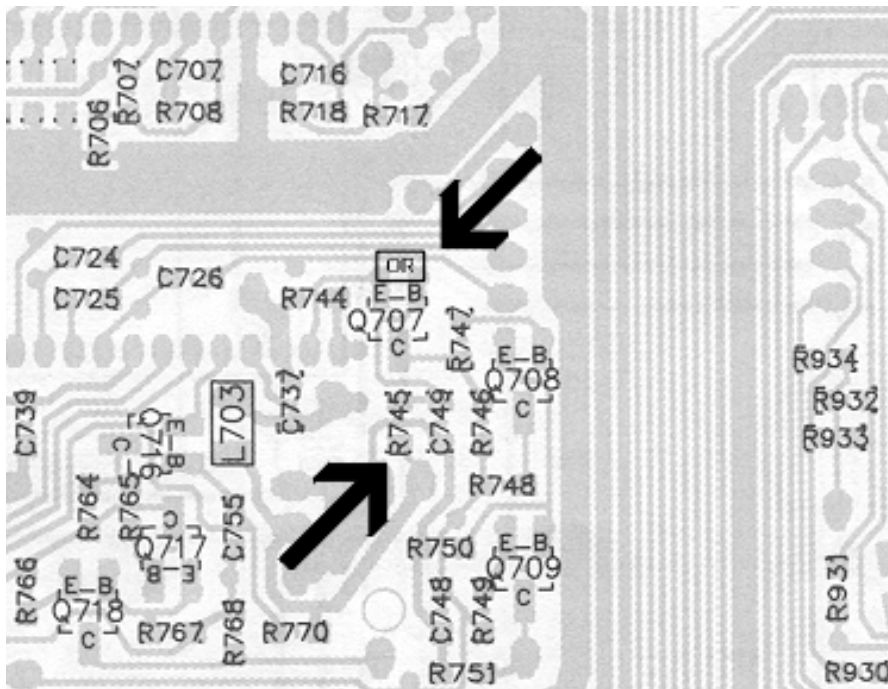
KD0002K

No.: 243

Concern: Vertical stripes at the right side behind the OSD

Remedy: Following parts have to be replaced or componentd respectively

- The chip resistor in position CR 745 (100 Ω) has to be removed and replaced by a 0 Ω version
- Between emitter and basis from transistor a 0 Ω chip resistor has to be componentd additional (like illustration)



Part number chip resistor 0 Ω : 0100060

Modification reserved !



SCHNEIDER
Schneider AG DUAL GmbH
Silvastraße 1
D-86842 TÜRKHEIM

Date : 11.02.00

Service - Info

Unit type : TV 9.
Concern part no. : Software 0101511

KD0002K

No.: 251

Concern: Teletext or digital pixel on the screen.

Remedy: To avoid the failure „Teletext or digital pixel on the screen “ the integrated software (IC 902) has to be the version „2.AA“ or higher .

Part number IC 902 (Software) : 0101511

Modifications reserved !



Date: 18.12.00

Service info

Unit type: Chassis TV 9.6

no.: 260

Concern: Lapsing of the 500 pages videotext memory.

Remedy: To eliminate this fault the below declared „NVM address“ has to be altered in the service-mode.

Service-Mode:

Simultaneously press and then release the **red** (picture menu) and **blue** (videotext) button on the remote control. Simultaneously press and then release within five seconds the buttons "program -" and "volume +" at the local control panel. The main service menu appears on the screen:

4 : 3

Service Mode TV 9	Version	XX
-------------------	---------	----

OK . . save	TV . . leave menu
-------------	-------------------

Call up with the buttons „program + / -“ on the remote control the parameter „NVM addr.“. The NVM menu appears on the screen:

4 : 3

NVM	addr.	0000	data FF
-----	-------	------	---------

OK . . save	TV . . leave menu
-------------	-------------------

The several positions of the *NVM address* and *NVM data* can be selected with the **red** (picture menu) button and changed with the buttons „volume + / -“ on the remote control . Each changing of an address has to be stored **separately** with the button “**OK**“ on the remote control. Select the following NVM address and set it according the following table:

Set the NVM address	to NVM data
0EE2	02

After the changing of the address leave the service-mode with the button „**TV**“ on the remote control. To activate the modification switch off the TV and start it again.

Attention: The changing of other addresses can effect further failure.

Modifications reserved !



SCHNEIDER
Schneider AG DUAL GmbH
Silvastraße 1
D-86842 TÜRKHEIM

Date : 20.12.99

Service - Info

Unit : Chassis TV 9.4

KD0002K

No.: 242

Concern: Correction operating voltage chassis TV 9.4

Attention: The chassis TV 9.4 was produced in combination with several picture tubes.
Therefore the operating voltage has to be set according following information :

Chassis TV 9.4 in combination with picture tube A 51 JSY 63X13 = 136V ($\pm 0,5V$)

Chassis TV 9.4 in combination with picture tube A 51 EER 131X78 = 130V ($\pm 0,5V$)

For further information see servicemanual TV 9 !

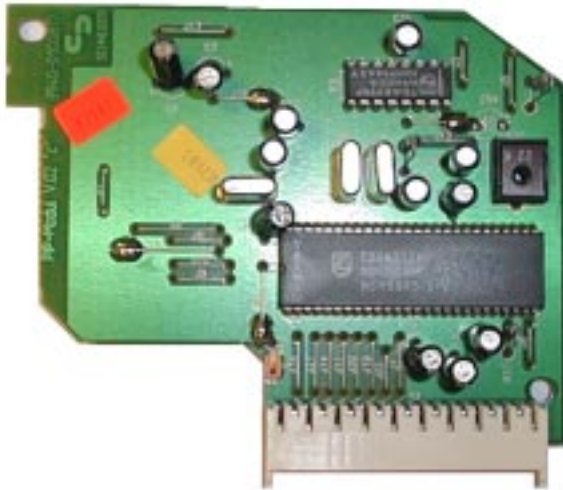
Modification reserved !

No.: 0105942

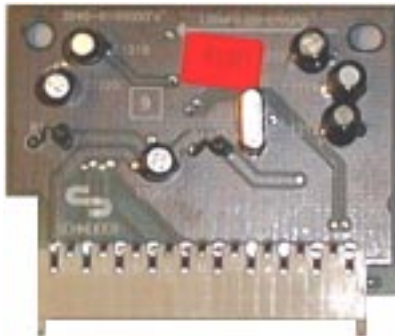


Service information !

Chassis	TV 9.3 in connection with picture tube type W 66 ECK 001X13
Concern:	Unsynchronizing PIP picture (PIP-module version 3)



PIP-module version 1 and 2 : Modification not necessary



PIP-module version 3: The Chip resistor in position R 1204 has to be removed and replaced by a 270 Ohm / 150V chip resistor. The chip diode BZT55C in position D1202 has to be componented in addition.

Spare part number: Chip resistor 270 Ohm	0100090
Chip diode BZT55C	0100683

Modification reserved!



Date: 05.03.99

Service info

Unit type: : Chassis TV 9 / TV 9.1 / TV 9.2 / TV 9.3

KD0002K

no.: 224

Concern: Neutralization of the child lock.

Remedy: The child lock can be neutralized as follows:

Switch to the service mode and inspect, if the parameter „KISI ruecksetzen“ is displayed on the screen. Is this parameter available, proceed like point ②, otherwise like point ①.

Service-Mode:

Simultaneously press and then release the red and blue button on the transmitter. Simultaneously press within five seconds the buttons "Programme -" and "Volume +" at the local control panel. The main service menu is displayed on the screen:

4 : 3

Service Mode TV 9 Version XX

OK . . save TV . . leave menu

① Call up with the keys „↑ / ↓“, the tuning parameter „ NVM addr. “. The nvm menu is displayed on the screen:

4 : 3

NVM addr. 0000 data FF

OK . . save TV . . leave menu

The several positions of the nvm address and nvm data can be selected with the red button and changed with the buttons “ volume +/- “. Each address changing has to be stored **separately** with the key “OK“. Select following nvm addresses and adjust them to following values:

At nvm address	set the nvm data to
0D06	00
0D0A	FE

After the adress changing, leave service mode with the key „TV“. To save the adress changing in the eeprom, switch the television OFF and soon after ON.

Attention: The changing of other addresses can effect secondary failure.

② Call up the tuning parameter “Kisi rücksetzen“ and set the value from “0“ to “1“. The changing has to be stored with the key “OK“. Leave service mode with the key “TV“.

Modifications reserved !