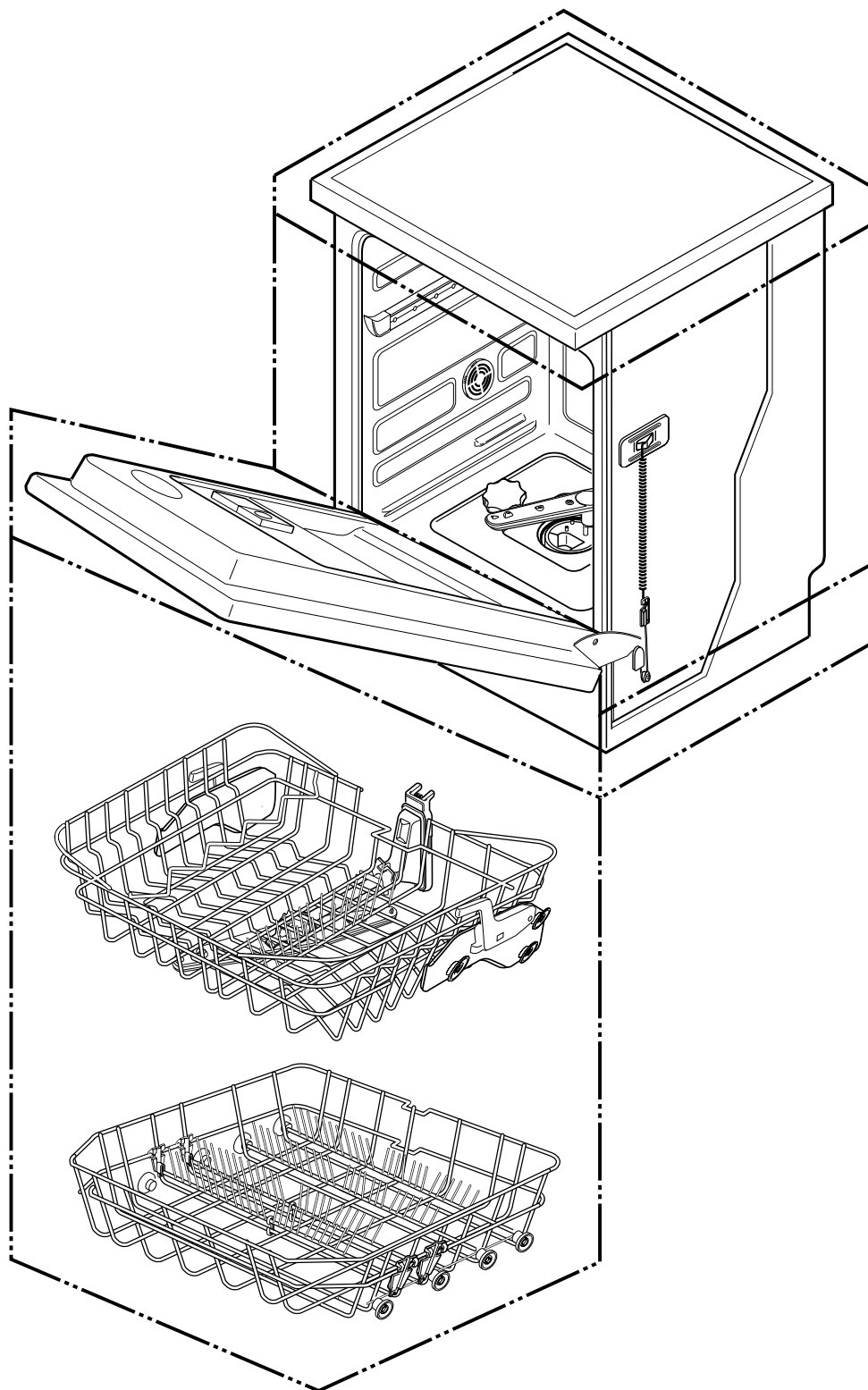
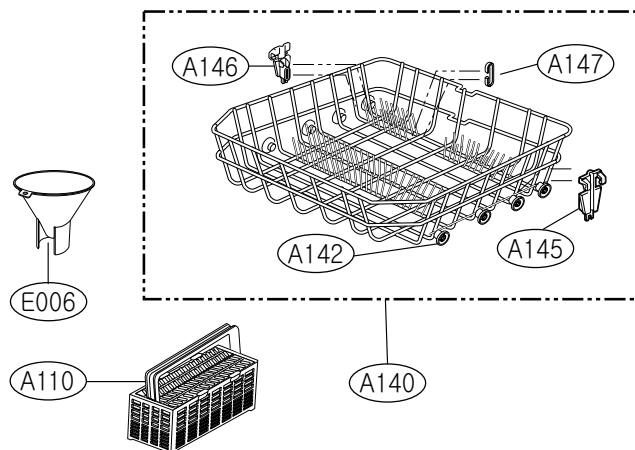
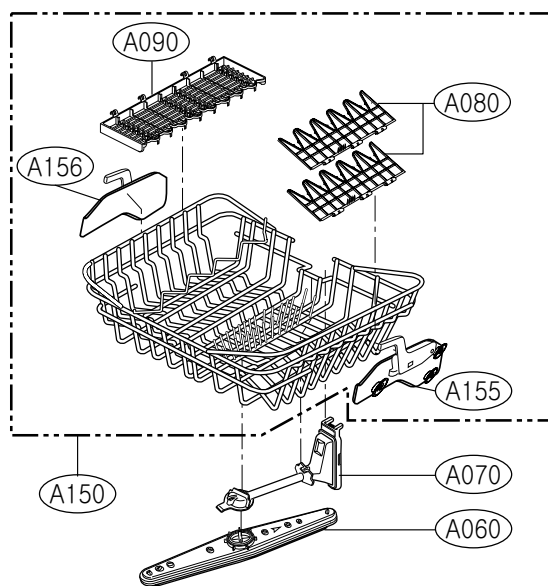
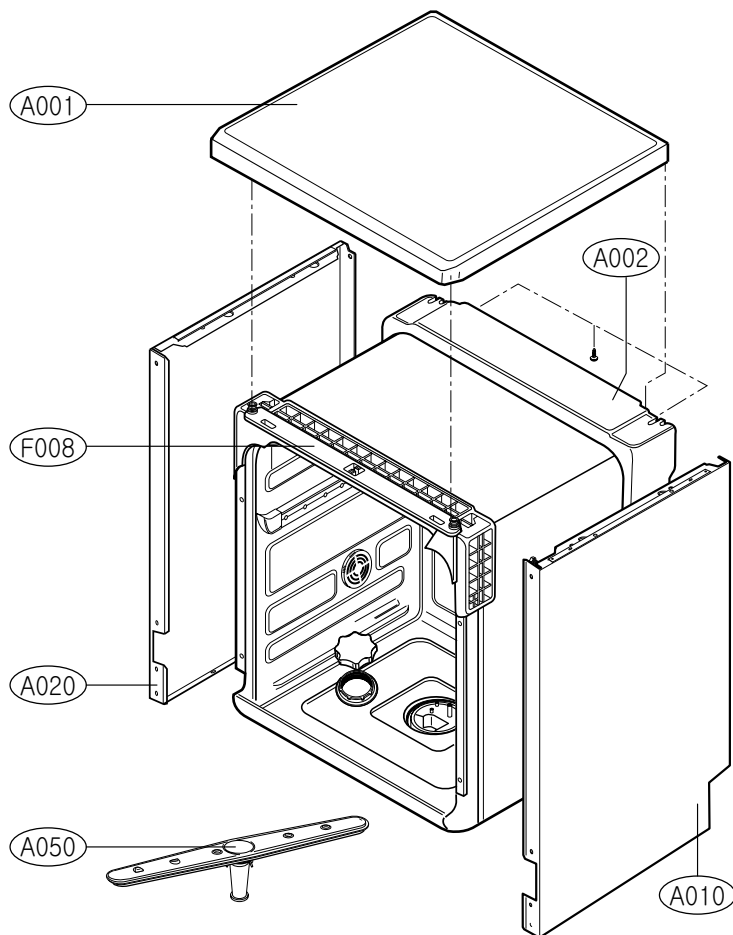


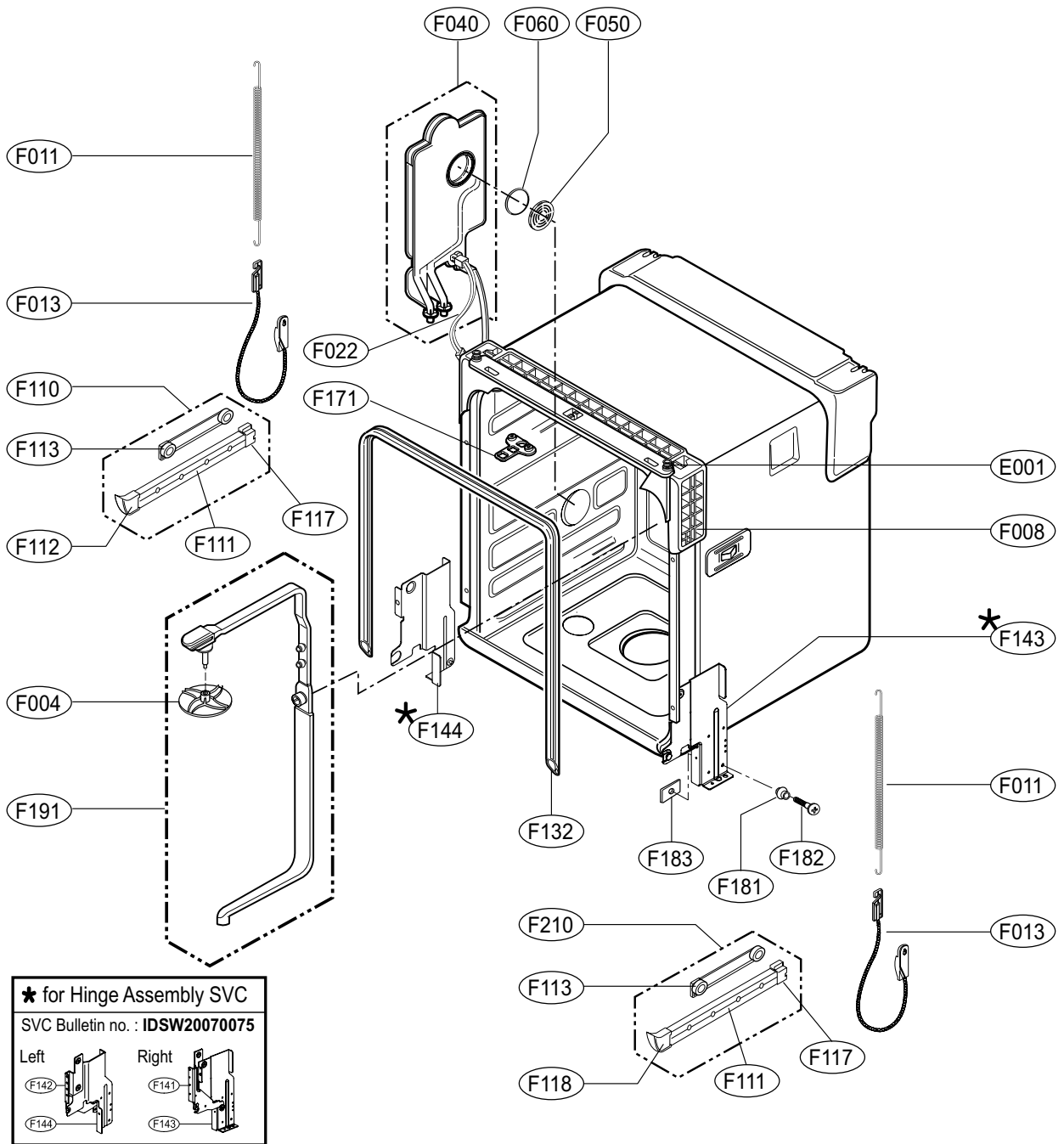
10. EXPLODED VIEW



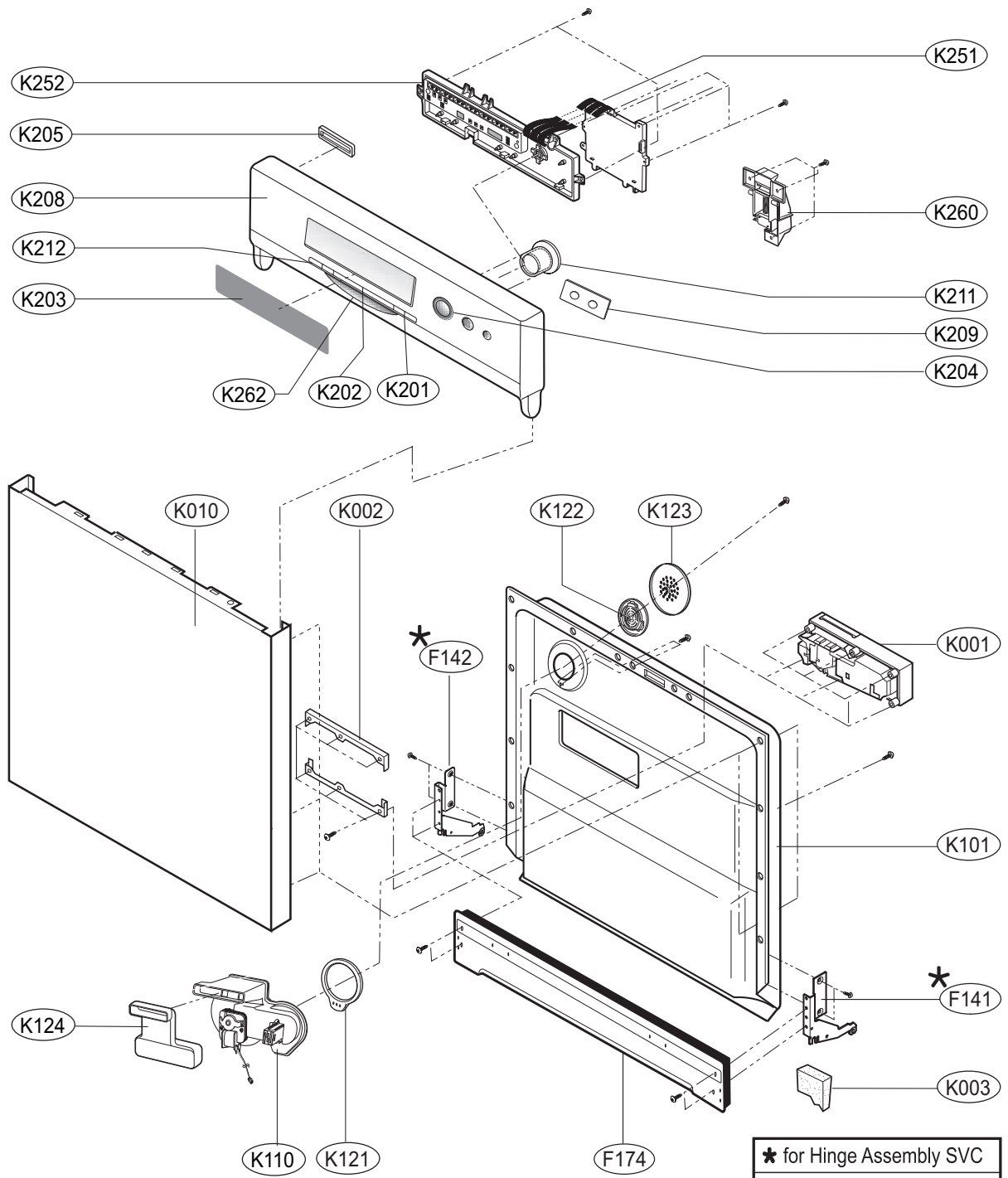
EXPLODED VIEW



EXPLODED VIEW - TUB ASSEMBLY



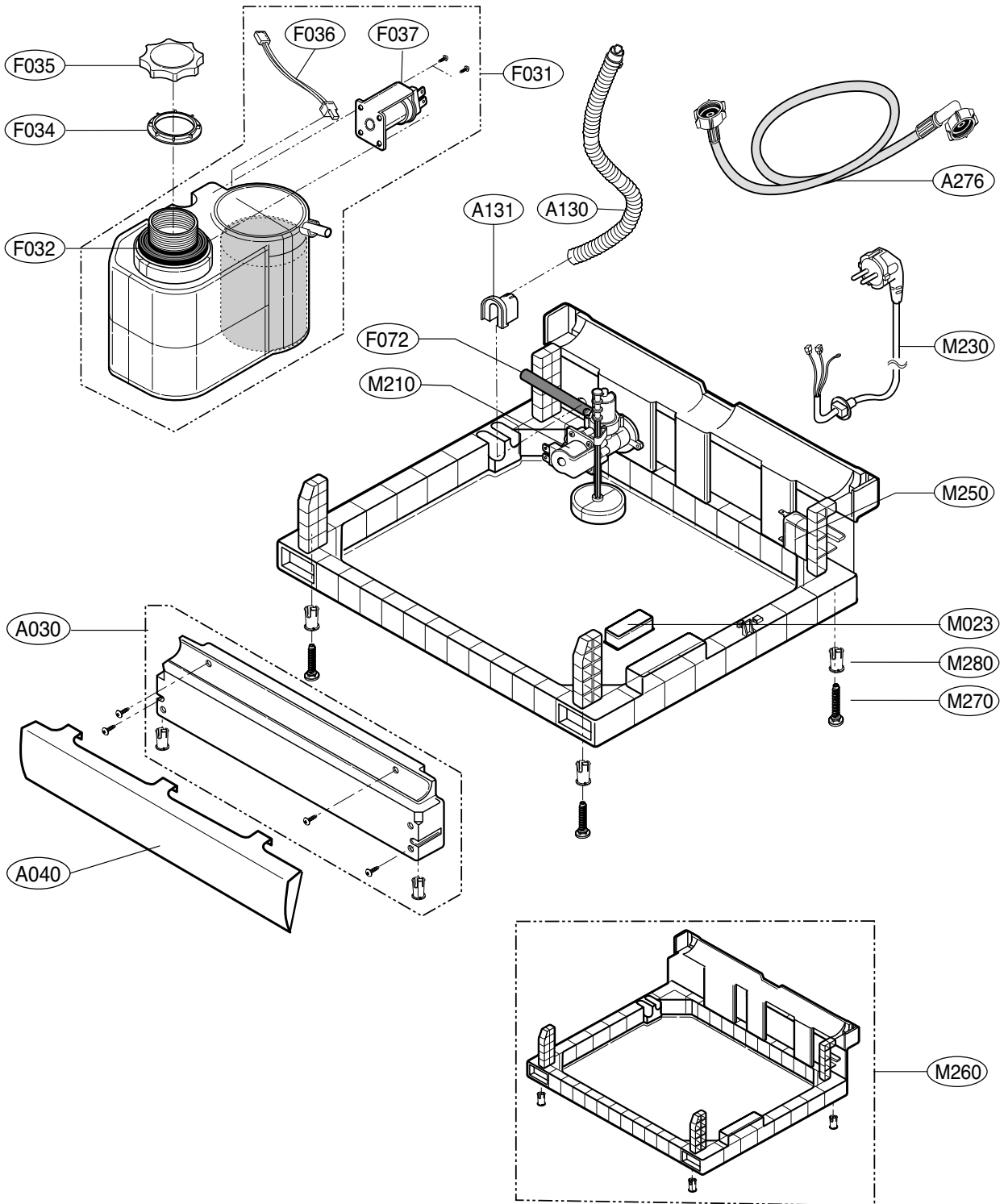
EXPLODED VIEW - PANEL / DOOR ASSEMBLY



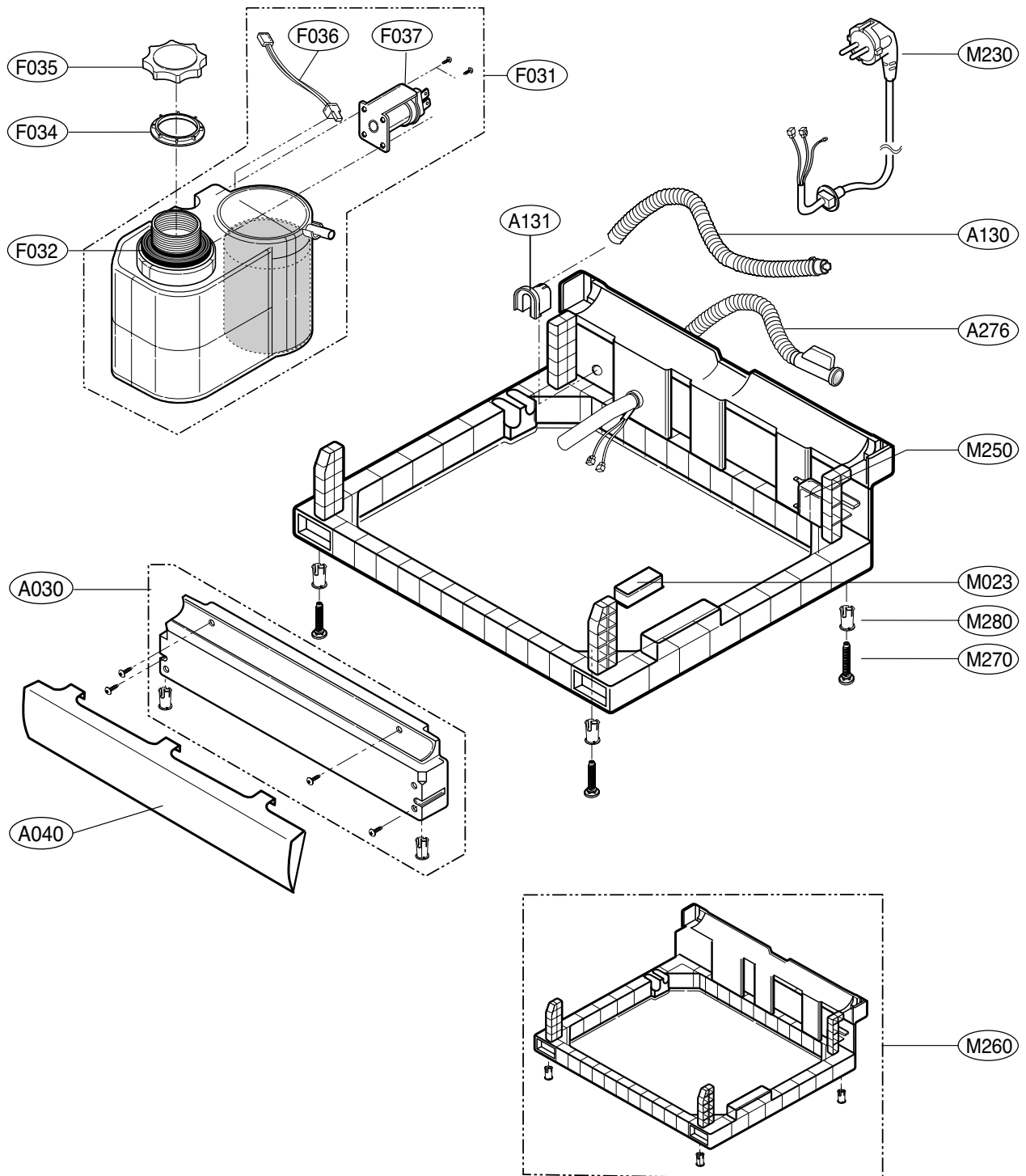
*** for Hinge Assembly SVC**
 SVC Bulletin no. : **IDSW20070075**

Left	Right

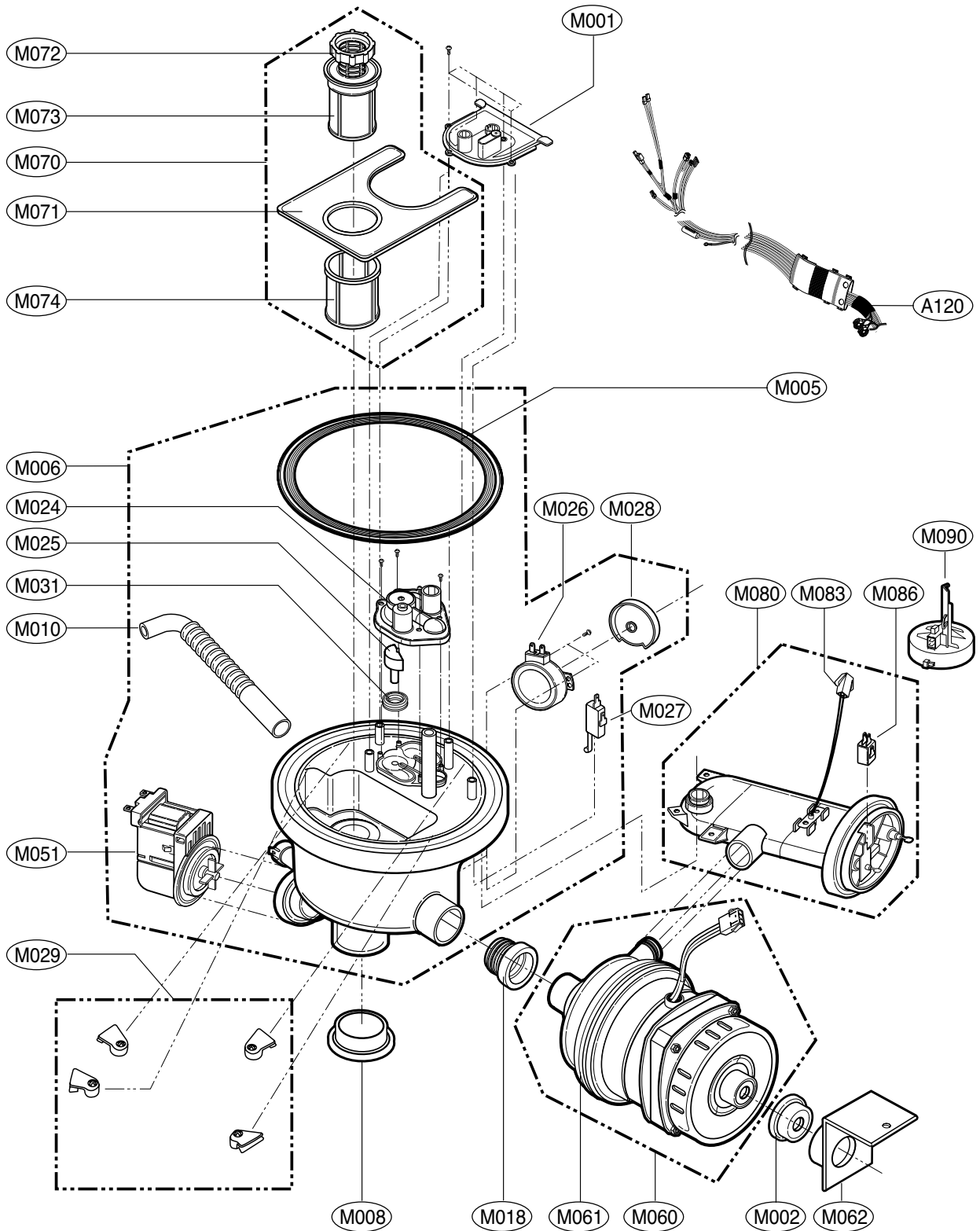
EXPLODED VIEW - BASE ASSEMBLY



EXPLODED VIEW - BASE ASSEMBLY



EXPLODED VIEW - SUMP ASSEMBLY



EXPLODED VIEW - SUMP ASSEMBLY

