



Operating Instructions

Wine storage refrigerator

The wine storage refrigerator you have purchased differs from normal refrigerators in that it is suitable for long-term storage of wine. The climate inside the cabinet is comparable with that of a wine cellar, which guarantees that the quality of the different types of wine will be maintained.

Safety instructions and warnings

- To prevent injury or damage to the unit, the appliance should be unpacked and set up by two people.
- In the event that the appliance is damaged on delivery, contact the supplier immediately before connecting to the mains.
- To guarantee safe operation, ensure that the appliance is set up and connected as described in these operating instructions.
- Disconnect the appliance from the mains if any fault occurs. Pull out the plug, switch off or remove the fuse.
- When disconnecting the appliance, pull on the plug, not on the cable.
- **Any repairs and work on the appliance should only be carried out by the customer service department, as unauthorised work could prove highly dangerous for the user.**
- Do not stand on the plinth, drawers or doors or use them to support anything else.
- Do not let children play with the appliance, e.g. do not allow them to sit in the drawers or swing on the doors.
- **If you have a lockable appliance, do not keep the key near the appliance or within reach of children.**
- Do not store explosives or sprays using combustible propellants such as butane, propane, pentane etc. in the appliance. Electrical components might cause leaking gas to ignite. You may identify such sprays by the printed contents or a flame symbol.

Environmental protection and disposal notes

The packaging is designed to protect the appliance and individual components during transport and is made of recyclable materials.

- corrugated cardboard/cardboard (predominantly recycled paper)
- moulded polystyrene (foamed, CFC-free polystyrene)
- polyethylene bags and sheets
- polypropylene straps

● Please return the packaging material to the nearest official collection point so that the various materials can be recycled or reused as far as possible and so as to avoid throwing them away.

Old appliances still contain reusable materials and should not be disposed of with household or bulk refuse.

● Disable discarded appliances immediately by removing the plug and cutting through the connection cable.

Remove the spring-action or bolt catch from the appliance or render it unusable so that children cannot become trapped inside and suffocate.

● Ensure that the refrigerant circuit and in particular the heat exchanger on the rear of the appliance is not damaged before the appliance that is no longer needed is taken away for disposal. In this way the refrigerant will not escape into the environment.

– Information concerning the refrigerant and insulating materials used can be found on the type plate.

– Information on collection dates or collection points can be obtained from the waste disposal authorities or local council.

Setting up

- Fit the handle into the attachment holes. By fitting the handle yourself you will help to save on packaging material.
- **Avoid positioning the appliance in direct sunlight or near cookers, radiators and similar sources of heat.**
- The floor on which the appliance stands should be horizontal and level. Compensate for uneven floors with the adjustable feet (SW 22). The appliance can be placed with its back flush to the wall.
- Always ensure that there is good ventilation and that the outward flowing air is able to escape.
- Do not place heat-emitting appliances, e.g. microwave oven, toaster, etc., on top of the appliance.

Dimensions

	Height	Width	Depth
WKS 18.. - 180 l	884	602	600
WKS 24.. - 238 l	1215	602	600
WKS 32.. - 312 l	1589	602	600
WKS 47.. - 462 l	1515	755	715
WKS 57.. - 562 l	1692	755	715

Connecting to the mains

Power supply (a.c.) and voltage at the operating point must comply with the details on the type plate, which is located on the left-hand inside wall. The socket must be fused with a 10 A fuse or higher.

To ensure trouble-free operation, do not connect the appliance to the power supply until about 1/2 to 1 hour after delivery. Connect the appliance through a properly earthed plug and socket.

The socket should be easily accessible and not directly behind the appliance.

The wires in the mains lead are coloured in accordance with the following code: green/yellow = earth, blue = neutral, brown = live.

Warning! This appliance must be earthed.

Switching the appliance on and off

You are recommended to clean the appliance before switching it on for the first time (see "Cleaning"). The appliance is delivered ready for use and wired for normal operation. When it is connected up (plugged into an approved wall socket) the appliance is ready for operation.

● **To switch the appliance off:** pull out the mains plug or remove/unscrew the fuse.

Setting the temperature

Using a coin, turn the arrow on the temperature control to a setting between "1" and "7".

Setting "1" = lowest cooling setting, highest temperature

Setting "7" = highest cooling setting, lowest temperature

Storing wine

If you are storing wine for long periods of time, it should be stored at a temperature of between 10°C and 14°C. This is the temperature wine cellars are kept at, and it is just right to allow wine to mature properly.

Select a medium setting on the temperature control and check the temperature again after 24 hours. If necessary, adjust the setting slightly.

If the appliance is used for storing wine for short periods or for chilling wine, you can set a temperature which is either above or below the storage temperature.

For instance, if you wish to chill a large quantity of white wine for a short period prior to serving, turn the appliance down a few hours beforehand.

Try to store bottles of the same sort of wine next to each other on the same shelf so as to avoid having to move other bottles to access the bottles you want to remove, as wine should not be moved during storage if at all possible.

Air exchange with activated carbon filter

There is an activated carbon filter fitted in the top and the bottom of the rear wall of the cabinet. This ensures that the air in the inside is properly exchanged.

Interior light in appliances with glass doors

The light consists of a fluorescent tube with an integrated starter and is located at the top of the interior.

To change the tube: lever out the cover panel on the lamp housing at the front and remove downwards. Turn the tube 90° and pull out downwards. Insert a new tube and turn 90°. Replace the cover panel by inserting at the back and clicking into place at the front.

If the interior light still does not work after you have changed the bulb, please consult your nearest customer service point.

Humidifier

Appliances fitted with recirculated air fans keep the air on the inside circulating constantly in order to provide the humidity required for storing wine. There is therefore no need to provide additional moisture.

Appliances without recirculated air fans are fitted with a special humidifier (fig. A).

Spread out the lava stones supplied evenly in the defrost water channel on the inside of the appliance. Make sure that the drain tube in the middle is not blocked. Then fill the defrost water channel with water up to the edge of the pipe.

This ensures that the humidity inside the cabinet remains even and prevents the wine from evaporating through the corks.

When the appliance is being operated normally the lava stones will be automatically kept damp by the defrost water from the appliance.

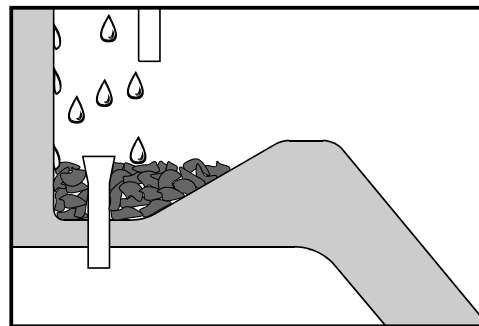


fig. A

Labels (depending on equipment)

The appliance is supplied with a label holder with labels for each shelf. Use these to label the type of wine stored on each shelf.

Use a soft pencil on the labels so that you can erase it again when necessary. You can obtain additional labels and holders from your dealer.

Installation: Snap the label holder into position (fig. B) and insert the label from the top.

Installation fig. C: Insert the label from the top.

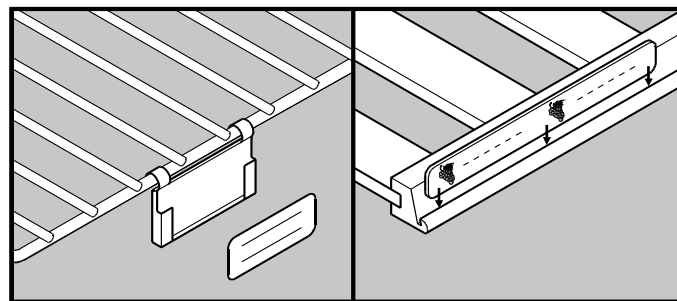


fig. B

fig. C

Defrosting

The appliance defrosts automatically. The water that forms on the rear wall drains into a reservoir at the back of the appliance and evaporates automatically through the compressor heat. Ensure that the water can flow without hindrance through the drain hole (see "Cleaning").

Cleaning

Before cleaning always switch off the appliance. Pull out the mains plug or remove/unscrew the fuse.

● Clean the inside, equipment parts and outer walls with lukewarm water and a little detergent.

Do not use steam cleaners because of the risk of injury and damage.

Do not use abrasive or acid cleaners or chemical solvents. We recommend the use of an all-purpose cleaner with neutral pH.

● Ensure that no cleaning water penetrates into the electrical components.

● Dry all parts well with a cloth.

● The dust should be removed from the refrigeration unit and heat exchanger - metal grid at the back of the appliance - once a year.

● Clean the drain hole in the refrigerator compartment with a thin object, e.g. cotton swab or the like.

● Remove the lava stones from the defrost water channel and rinse under running water. Then put the stones back into the channel and fill with water up to the edge of the drain pipe.

● Do not damage or remove the type plate on the inside of the appliance. It is very important for servicing purposes.

Shutting your appliance down

If your appliance is to be shut down for any length of time, switch it off and disconnect the plug or remove the fuse. Clean the appliance and leave the door open in order to prevent unpleasant smells.

Malfunctions

Your appliance is designed and manufactured for a lengthy, reliable operating life with no malfunctions. If a malfunction nonetheless occurs during operation, check whether it is due to an operating error. Please note that even during the warranty period the resultant servicing costs in this case will have to be borne by the owner.

You may be able to rectify the following faults by checking the possible causes yourself:

● Appliance does not function:

– Is the plug correctly fitted in the mains socket?

– Is the socket fuse intact?

● Loud running noise:

– Is the appliance set up firmly on the floor?

Ensure that the appliance is stable and that all parts at the back can vibrate freely. If necessary, carefully bend those components in contact with something else.

Please note that noises caused by the refrigerant circuit cannot be avoided.

● The temperature is not low enough:

– Is the temperature setting correct (see "Storing wines")?

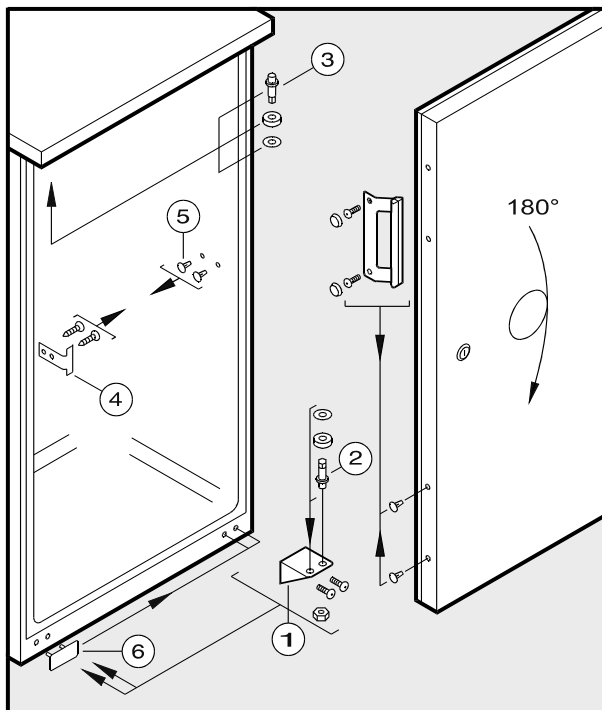
– Does the separately installed thermometer show the correct reading?

– Is the ventilation system working properly?

– Is the appliance set up too close to a heat source?

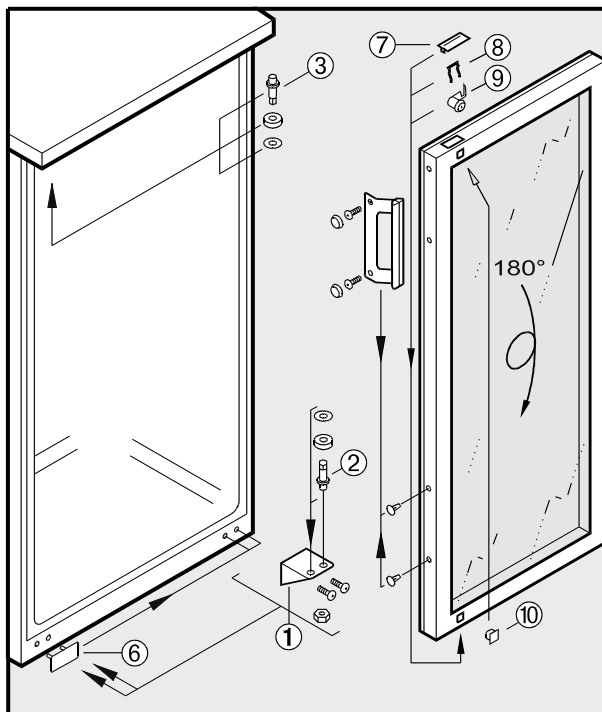
If none of the above causes apply and you cannot rectify the fault yourself, contact the nearest customer service department stating the type ① of appliance, index ② and service number ③ as indicated on the type plate. The type plate is located on the left-hand inside wall.

Index			
Service-Nr. / No. Service: -			
KLASSE	BRUTTOINHALT	NUTZINHALT	GES / K / G / KE / BIO
CLASS	GROSS CAPACITY	NET CAPACITY	TOT / R / F / CE / BIO
CLASSE	VOLUME BRUT	VOLUME UTILE	TOT / R / C / CA / BIO
CLASE	CAPACIDAD BRUTA	CAPAC. UTIL	TOT / F / C / BO / BIO
TYPE	GEFRIERVERMOGEN		
TYPE	FREEZING CAP.		
TIPC	POUVOIR DE CONGEL.		
	CAPAC. CONGELADORA		
	kg / 24 h		
R	g		
AC	V	Hz	W



Changing over door hinges

- Close the door and unscrew the hinge bracket ❶ (support the door if necessary).
- Pull the door out at the bottom and lift off.
- Unscrew the hinge pin ❷ from the hinge bracket ❶ and screw into the adjacent retaining hole.
- Unscrew hinge pin ❸ and screw in on opposite side.
- Attach the closure ❹ and plugs ❺ on the opposite side.
- Rotate door by 180°.
- Screw the handle onto the door using the holes provided.
- Lift off the cover ❻ and seal the exposed retaining holes on the other side with it.
- Mount door on hinge pin ❸ and close.
- Insert hinge bracket ❶ in lower door mounting and screw onto plinth.
- If the door is not flush with the body of the appliance, adjust it using the slots on the hinge bracket ❶ (ensuring that all screws are securely fastened).



Changing over door hinges - Glass door appliances

The door hinges on glass doors are changed in the same way as on normal doors. However before the door is turned round, the lock must be repositioned in the door frame.

- Lift off the cover panel ❷.
- Remove the metal clamp ❸ and lift the lock ❹ out to the front.
- Rotate door by 180°.
- Lift off the cover cap ❺ and close the hole on the other side with it.
- Refit the lock in the door frame in the reverse order.

The refrigerant circuit has been tested for leaks.

The appliance is radio-suppressed to EN 55014 and thus complies with EC Directive 87/308/EEC.

All types and models are subject to continuous improvement and the manufacturer therefore reserves the right to make modifications to the shape, equipment and technology.