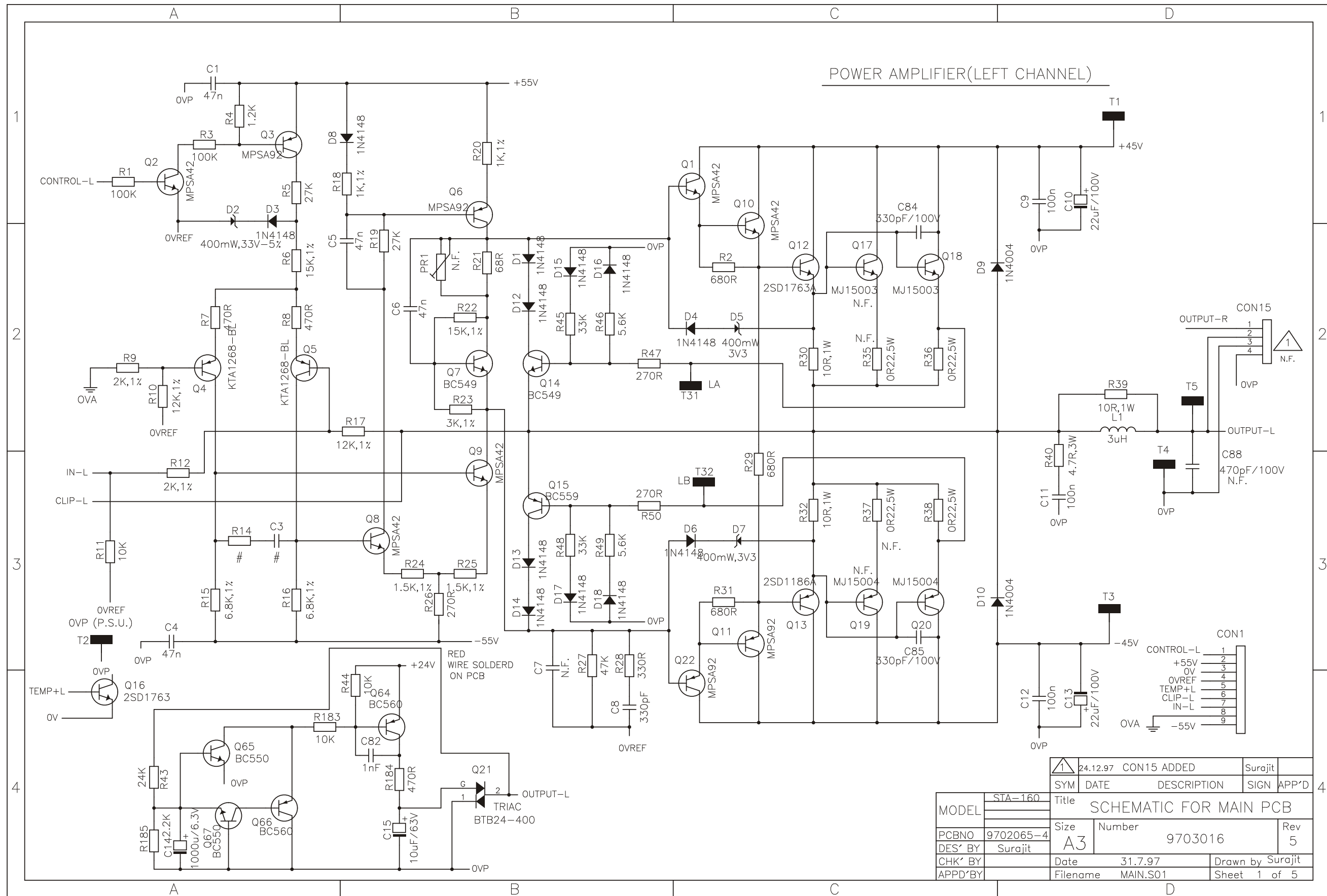


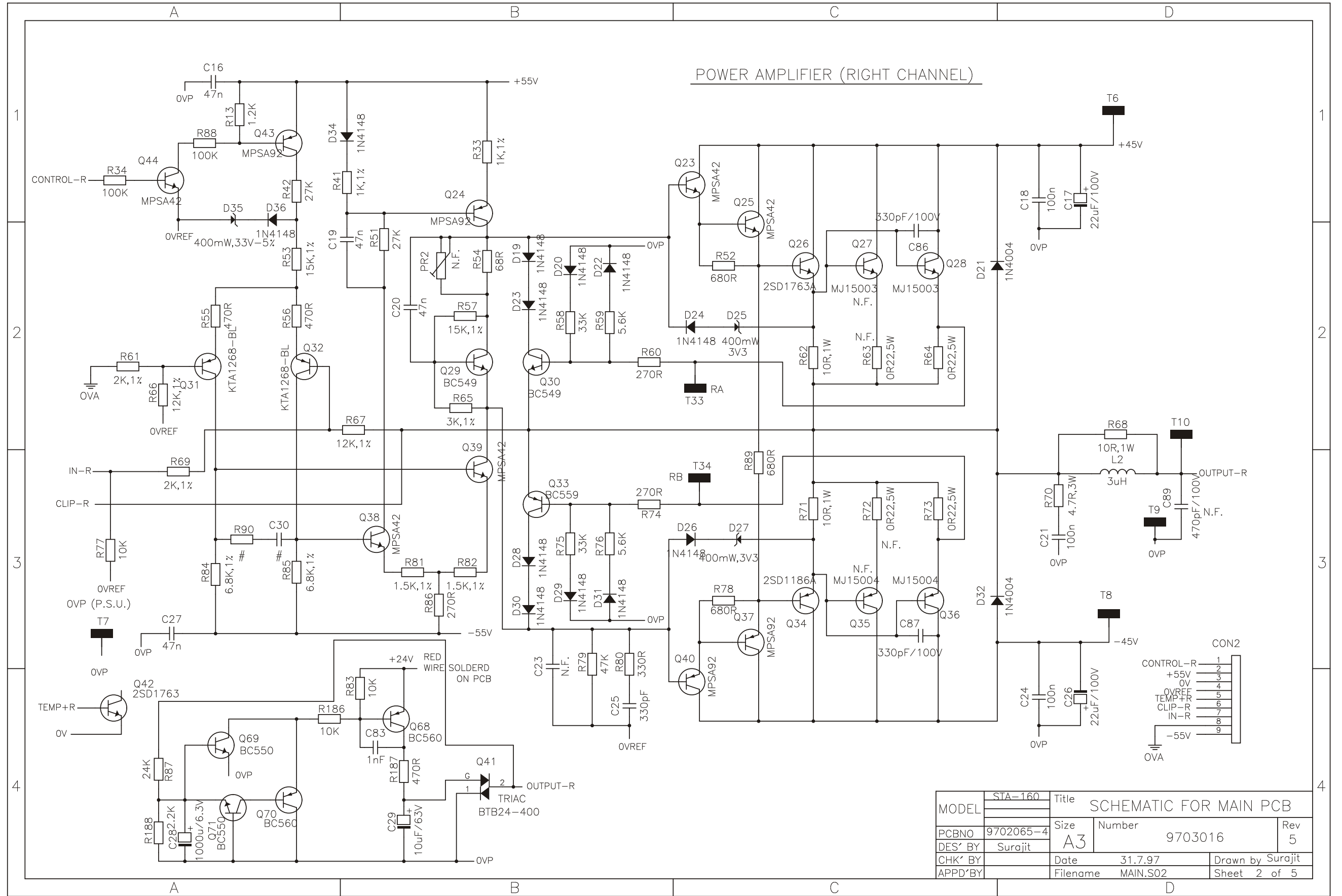
25.1.2000 SW1 GND,FLOT CONNECTION CHANGED AS PER IMG. C12 & R11 DELETE.

REV	DATE	DESCRIPTION	SIGN	APP'D

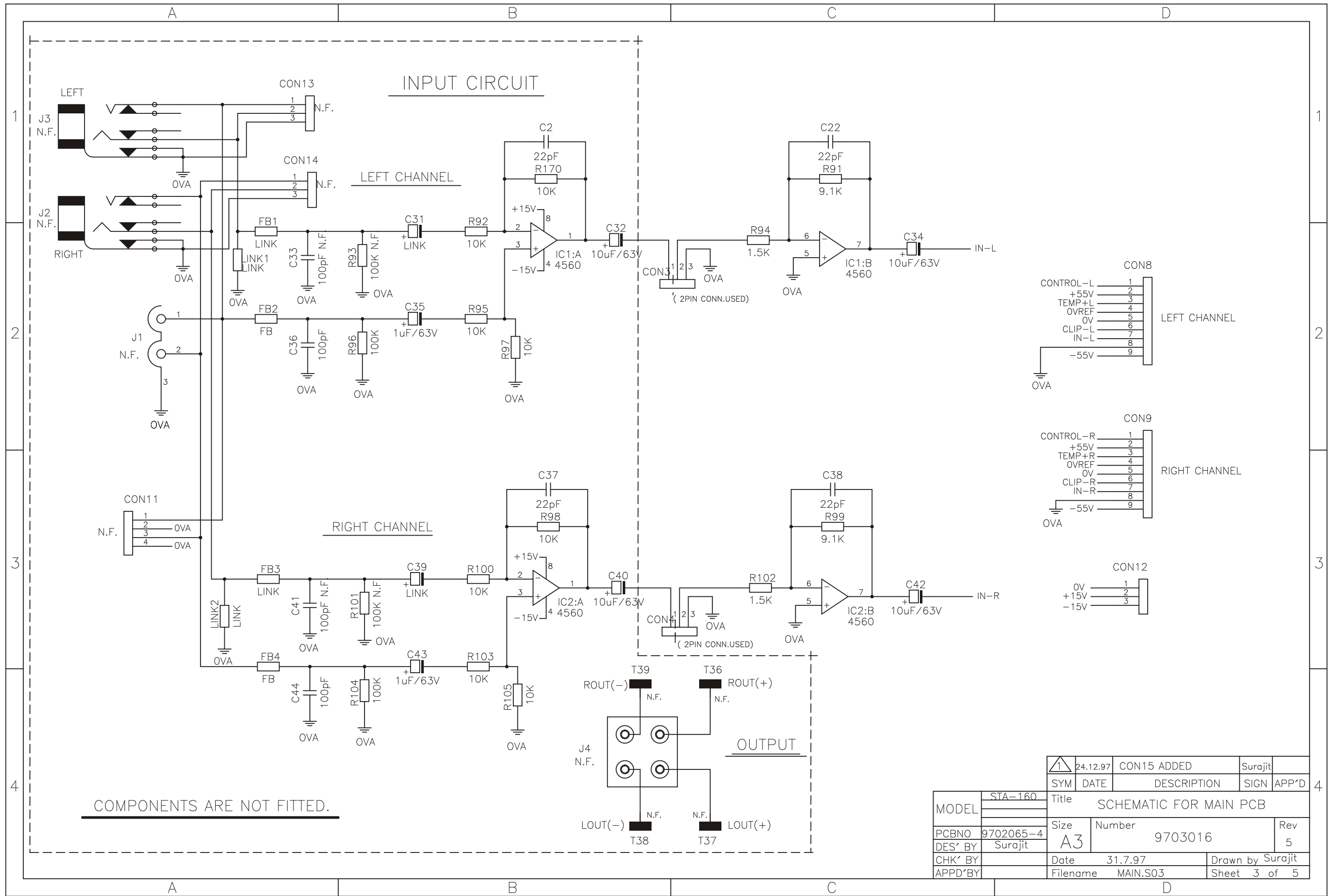
MODEL	STA-160	Title	SCHEMATIC FOR JACK PCB	
PCBNO	9803044-2	Size	A3	Number
DES' BY			9803065	Rev
CHK' BY		Date	29.1.99	1
APPD'BY		Filename	INP.S01	Drawn by
				Surajit
			Sheet	1 of 1



24.12.97		CON15 ADDED	Surajit
SYM	DATE	DESCRIPTION	SIGN APP'D
MODEL	STA-160	Title SCHEMATIC FOR MAIN PCB	
PCBNO	9702065-4	Size A3	Number 9703016
DES' BY	Surajit	Date 31.7.97	Rev 5
CHK' BY		Drawn by Surajit	
APPD' BY		Filename MAIN.S01	Sheet 1 of 5

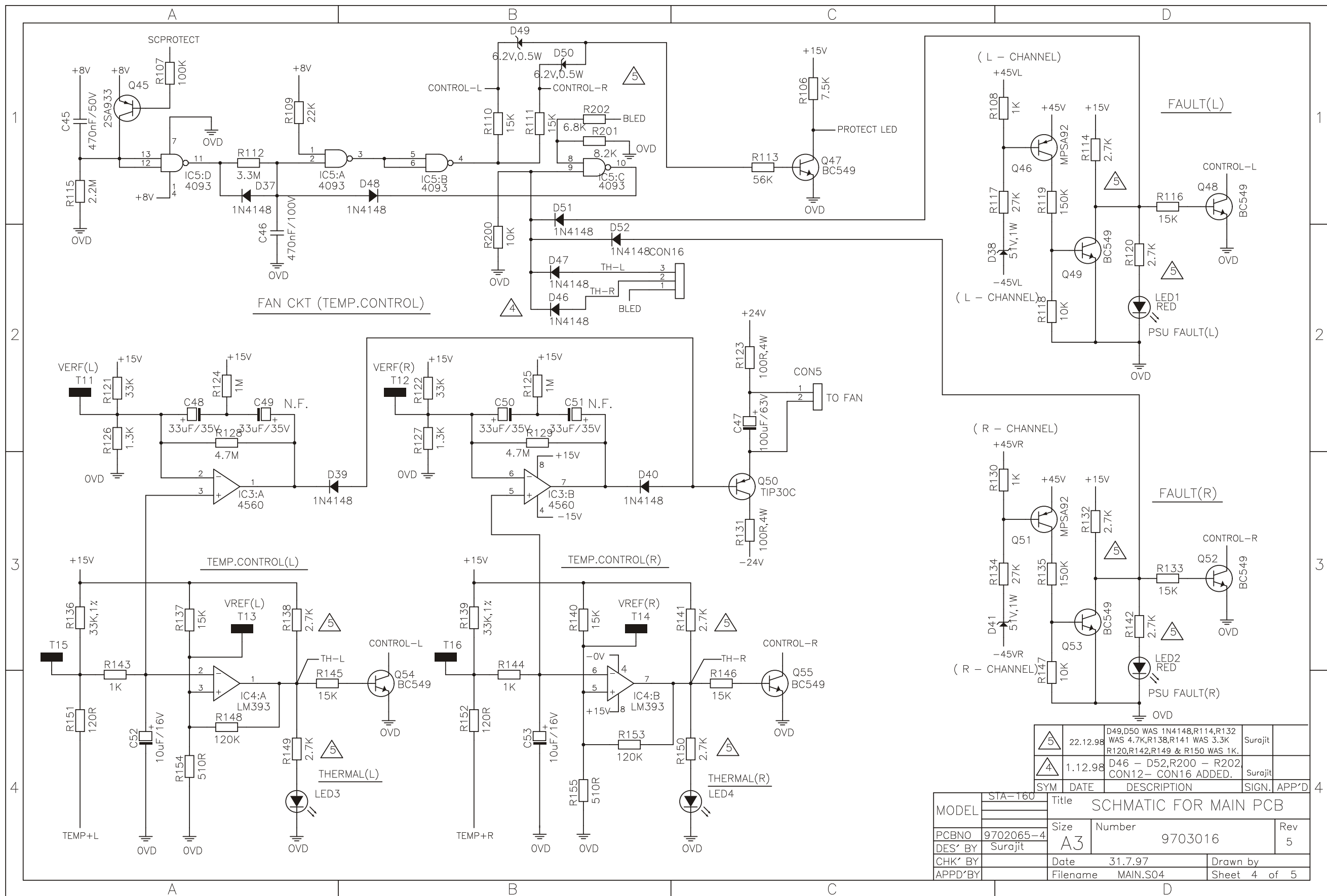


MODEL	STA-160	Title	SCHEMATIC FOR MAIN PCB	
PCBNO	9702065-4	Size	A3	Number
DES' BY	Surajit	Date	31.7.97	Rev
CHK' BY		Drawn by	Surajit	5
APPD' BY		Filename	MAIN.S02	Sheet
				2 of 5



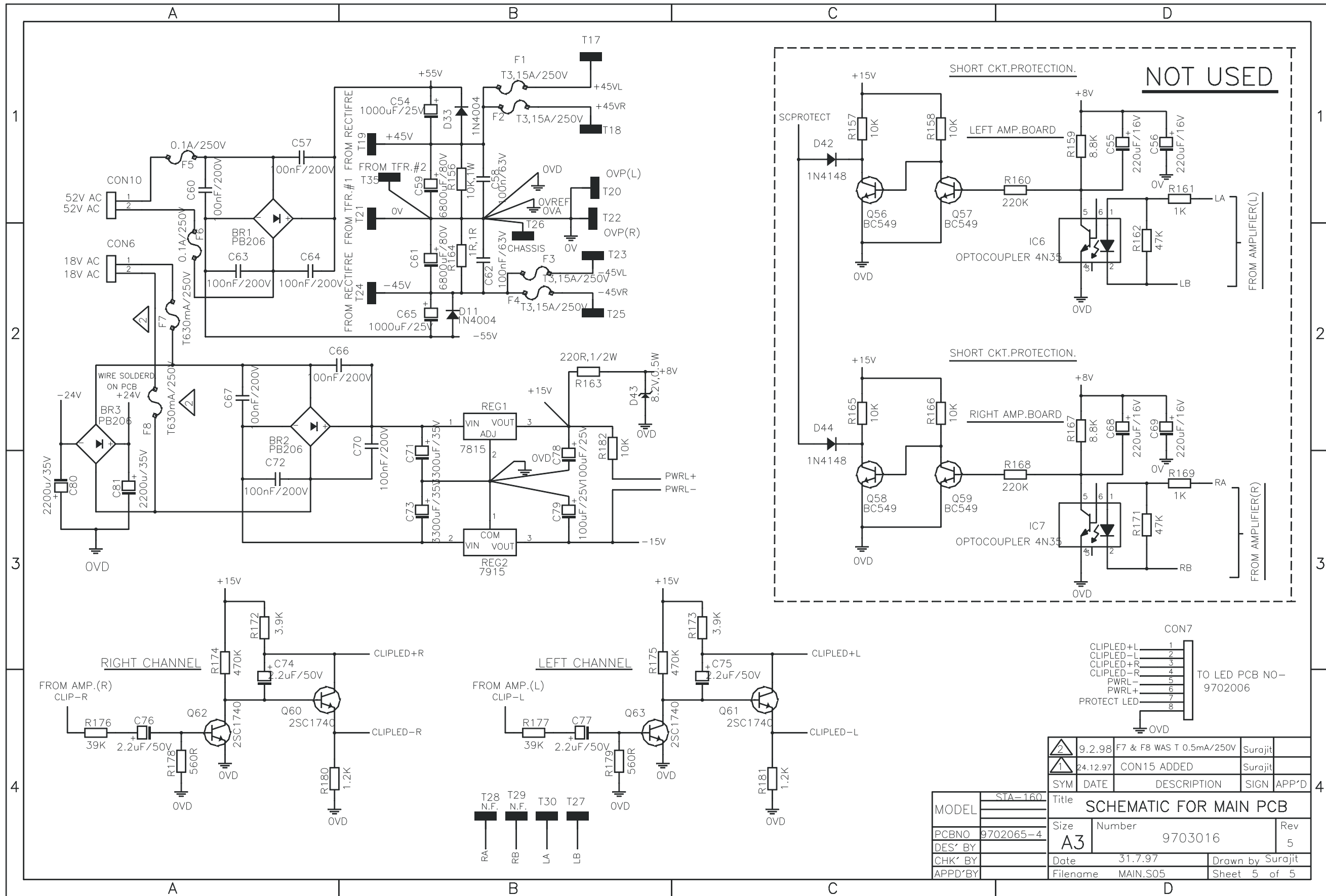
COMPONENTS ARE NOT FITTED.

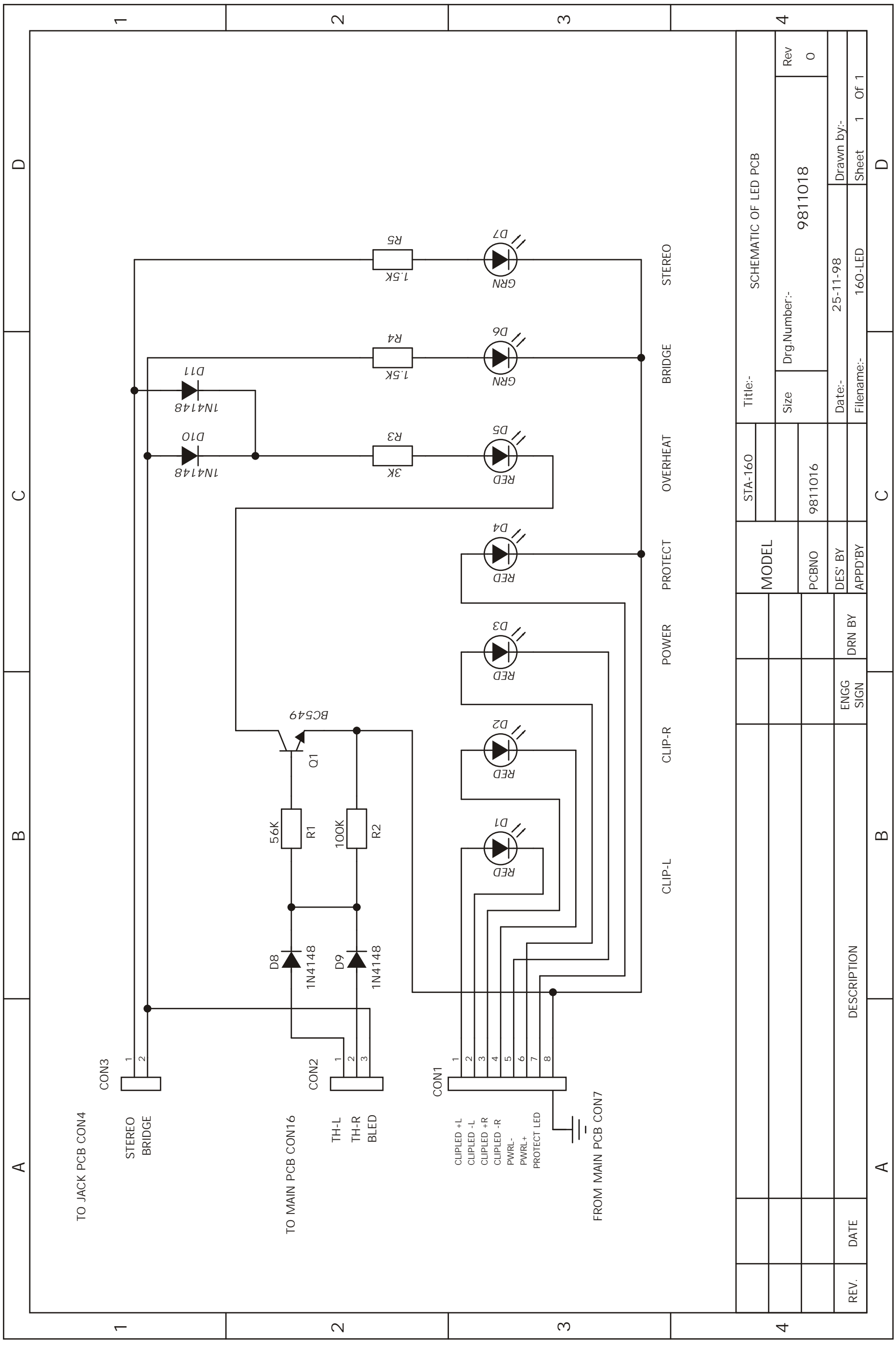
1	24.12.97	CON15 ADDED	Surajit	
SYM	DATE	DESCRIPTION	SIGN	APP'D
MODEL	STA-160	Title SCHEMATIC FOR MAIN PCB		
PCBNO	9702065-4	Size A3	Number 9703016	Rev 5
DES' BY	Surajit	Date 31.7.97	Drawn by Surajit	
CHK' BY		Filename MAIN.S03	Sheet 3 of 5	
APPD'BY				



5	22.12.98	D49,D50 WAS 1N4148,R114,R132 WAS 4.7K,R138,R141 WAS 3.3K R120,R142,R149 & R150 WAS 1K.	Surajit
4	1.12.98	D46 - D52,R200 - R202 CON12- CON16 ADDED.	Surajit
SYM	DATE	DESCRIPTION	SIGN. APP'D

MODEL	STA-160	Title	SCHMATIC FOR MAIN PCB	
PCBNO	9702065-4	Size	Number	Rev
DES' BY	Surajit	A3	9703016	5
CHK' BY		Date	31.7.97	Drawn by
APPD'BY		Filename	MAIN.S04	Sheet 4 of 5





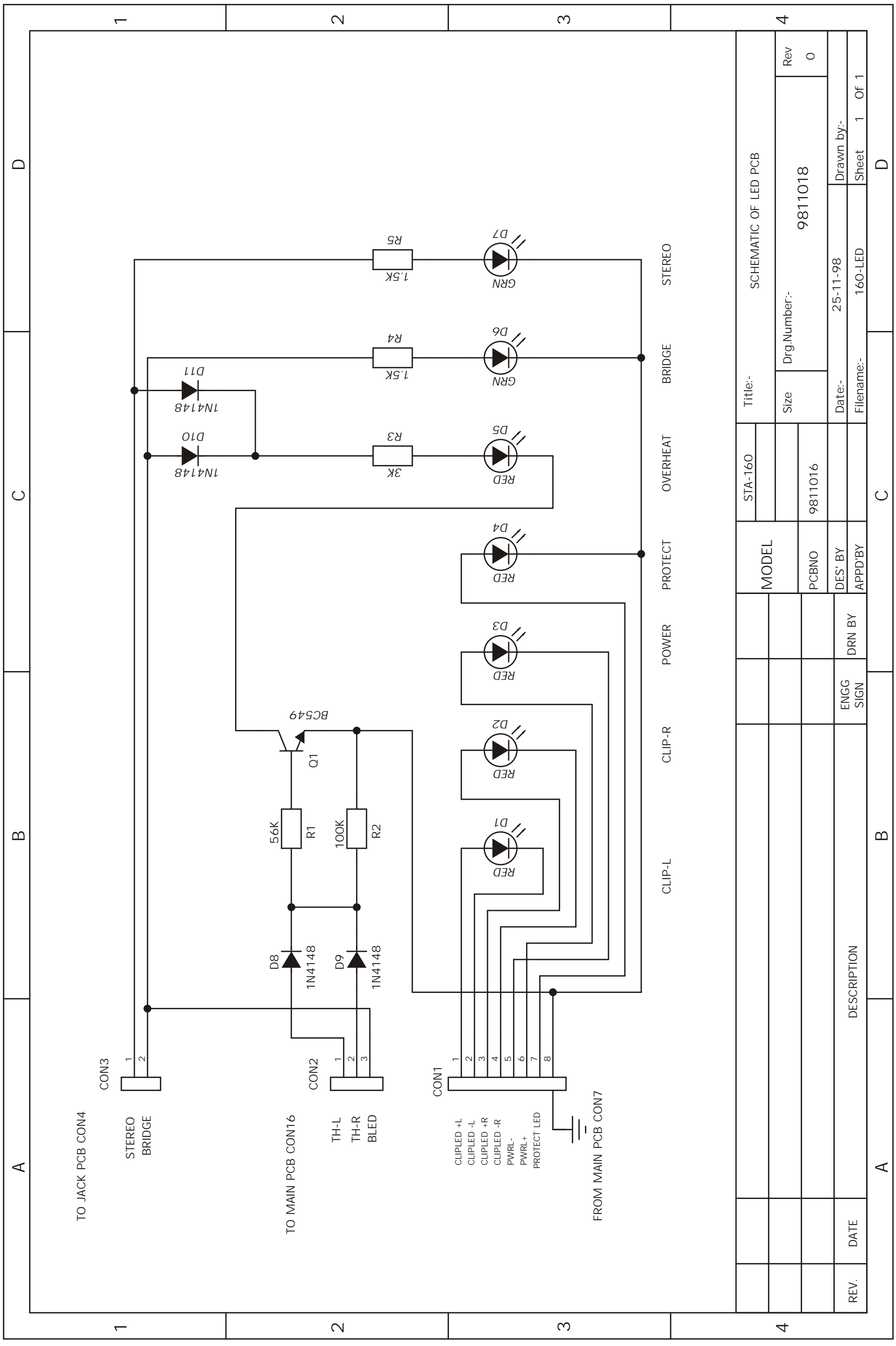
REV.	DATE	DESCRIPTION	DRN BY	ENGG SIGN	APP'D BY	DES' BY	PCBNO	Size	Title:-
							9811016	9811016	SCHEMATIC OF LED PCB
								Drg.Number:-	9811018
								Date:-	25-11-98
								Filename:-	160-LED
								Drawn by:-	Sheet 1 Of 1
								Rev	0

A B C D

1 2 3 4

A B C D

1 2 3 4



REV.	DATE	DESCRIPTION	ENGG SIGN	DRN BY	MODEL	STA-160	Title:- SCHEMATIC OF LED PCB	
							Size	9811016
							Drg.Number:-	9811018
							Date:-	25-11-98
							Filename:-	160-LED
							Drawn by:-	Sheet 1 Of 1
							Rev	0

A B C D

1 2 3 4

A B C D

1 2 3 4