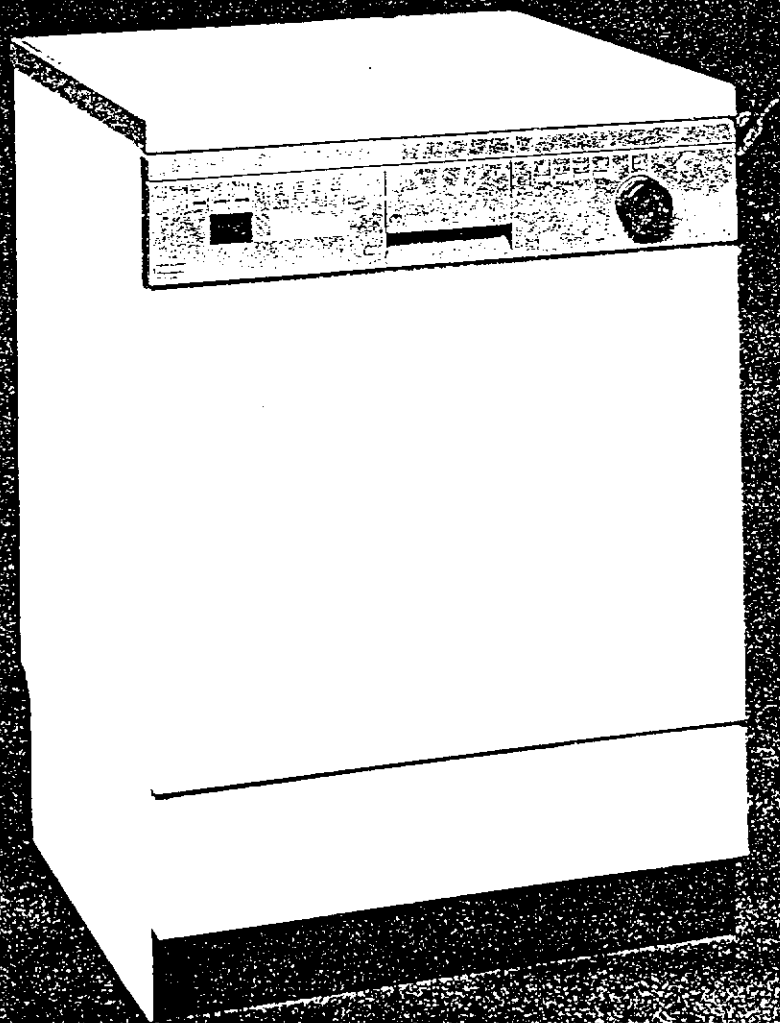




# Whirlpool



DISHWASHER



MOD. ADG 664/PH  
MOD. ADG 664 W/PH

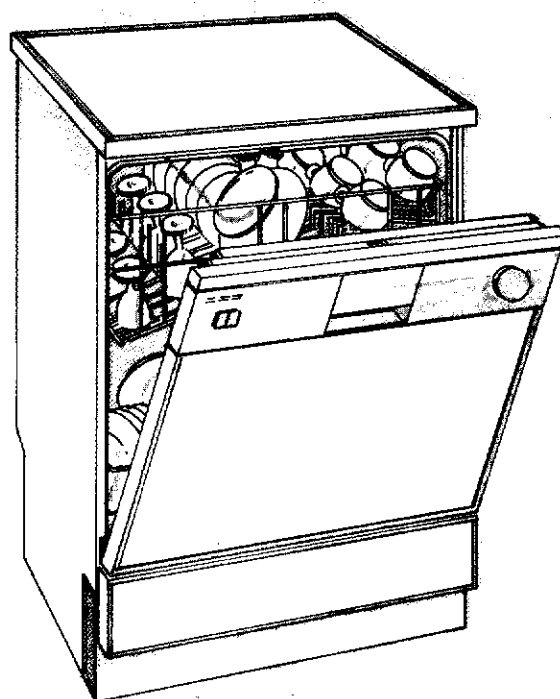
*Fil*

**B<sub>2</sub>/1**

**664**

**674**

**684**



## CONTENTS

### 1 GENERAL DESCRIPTION OF THE DISHWASHER

- 1.1 Control panel (Fig. a)
- 1.2 Inside of tub (Fig. b)

### 2 INSTALLATION

- 2.1 Installation of the machine
- 2.2 Hydraulic and electric connections
- 2.3 Built-in models

### 3 USE OF THE DISHWASHER

- 3.1 Filling the rinsing aid reservoir
- 3.2 Loading the crockery into the baskets
- 3.3 Adding the detergent
- 3.4 Control panel, choice of the programme
- 3.5 How to operate the machine

### 4 MAINTENANCE

- 4.1 Cleaning the filters
- 4.2 Cleaning the spray arms

### 5 MAIN TECHNICAL DATA

### 6 TROUBLE SHOOTING GUIDE

## 1 DESCRIPTION OF THE DISHWASHER

### 1.1 Control panel (Fig. a) page 1

- A) Operation lamps
- B-C) Push-buttons: Economy/Quick buttons with pilot lamps
- D) Door handle (to be pulled)
- E) Programmes selector and on/off knob (to be turned in the direction marked, only).

**Note:** For detailed informations on programmes selection and function of buttons, please refer to chapter "Control panel, choice of the programme".

### 1.2 Inside of tub (Fig. b) page 1

- 1) Service plate
- 2) Upper basket (adjustable in height)
- 3) Top spray unit
- 4) N. 4 supports/adjustable spacers
- 5) Shower
- 6) Lower spray arm
- 7) Filter with micro-filter "M"
- 8) Two-compartments detergent dispenser: 7,5+17,5 g
- 9) Rating plate with technical data
- 10) Rinsing aid dispenser (capacity: 150 cc.)
- 11) Cutlery basket
- 12) Lower basket with racks  
(A: soup plates; B: dinner plates; C: dessert plates)

## 2 INSTALLATION

We recommend you install the dishwasher in a fixed position with independent electrical and hydraulic connections (\*).

The installation works requiring electrical and plumbing connections must be carried out by qualified technicians in conformity with local regulations.

**The Manufacturer will accept no liability for damage to persons or objects arising from the non-observance of this requirement.**

(\*) The electrical installation must be earthed.

### 2.1 Installation of the machine

Dishwashers fitted with a work top, have the following dimensions (Fig. 1):

- Height: 850 mm
- Depth: 600 mm
- Width: 594 mm
- Plinth height: 100 mm
- Worktop thickness: 30 mm

The height of the dishwasher can be adjusted from 845 mm. min. to 860 mm. max. by means of the four feet (Fig. 2).

The work top can be adjusted frontwards by 20 mm. (Fig. 3) using the two adjusting brackets situated at the rear of the worktop (Fig. 4):

- Remove screws (A), loosen screws (B).
- Turn by 180° the brackets as in position (C).
- Tighten screws (B); push frontwards the worktop and fix it by means of the screws (A).

To install the machine under the washbasin or under the counter, it may be necessary to remove the worktop.

Remove the adjusting brackets situated at the rear of the worktop, remove screws (A) and (B) (Fig. 4), push frontwards the top until it is disengaged from the sliding guides (Fig. 3). The height of the dishwasher will then be 820 mm., and can be adjusted from 815 to 830 mm.

Check that the machine is level (adjust if necessary the 4 feet - Fig. 2).

## 2.2 Hydraulic/electrical connections

### Water supply (Fig. 5)

Connect the water inlet hose by using the filter (F), (joined to the flexible water inlet hose) between the tap and the flexible hose.

Use a 3/4" threaded connection, tighten the nut.

The water inlet pressure must not be lower than 0.3 bar and never higher than 10 bar.

For higher pressures, fit a pressure reducer.

The dishwasher can be connected either to a cold or warm water supply (max. 65°C).

The connection to the warm water supply will shorten the length of the wash cycle.

Never connect the dishwasher directly to a water heater with free drain.

**NOTE: The dishwasher is fitted with a security valve preventing the water from flowing back in the inlet hose.**

### Water drainage (Fig. 6)

The water drain hose can be connected as follows:

a) In a standpipe, using, if required, the adaptor (K), supplied to securely fix to the wall.

b) Hooking the drain hose to a washbasin, using the elbow (K), provided.

c) Directly into the sink, using the rubber connector (A), supplied (Fig. 7).

**Note:** The height of the drain should be included between 40 cm. (min.) and 100 cm. (max.), from the floor.

It is possible to extend the drain hose, but the total length must not exceed 4 m. (Pls. ask to the service).

### Electrical connection

The dishwasher is supplied with a cord to be connected to a 220 V - 50 Hz earthed socket.

The electrical connection has to be carried out in conformity with local regulations.

**Important:** Any intervention on the dishwasher has to be carried out by qualified technicians.

Always disconnect the appliance from the electrical supply before any repair.

Check that the electrical installation to which the dishwasher is connected is fitted with a security fuse (16 Amp.).

**The Manufacturer cannot be held responsible for any damage or injury to people or objects deriving from the non-observance of these requirements.**

## 2.3 Built-in models

These dishwashers are fitted without worktop and some models have an adjustable plinth.

Please refer to the separate instructions to panel and to adjust the plinth.

To install the dishwasher:

- Connect the ends of the water inlet and drain hoses to the house installation and plug in the appliance (Fig. 7).

- Cut, if required, the drain hoses in the pre-set points (Fig. 8).

- Fix the two-self-adhesive spacers, supplied, to the dishwashers sides (Fig. 9).

- The machine is fitted with a self-adhesive steam-proof sheet to be placed under the kitchen worktop (Fig. 10) and with two plates for the rear feet (Fig. 11).

- Adjust the dishwasher height by means of the feet (Fig. 2).

- Push the dishwasher in the housing, taking care that the water inlet and drain hoses are not kinked.

- Fix the machine to the kitchen worktop, using the supports and the screws supplied (Fig. 12).

## 3 USE OF THE DISHWASHER

Open the door by pulling it frontwards (Fig. 13).

Avoid opening the dishwasher during the operation.

Only if required, interrupt the operation by pushing the "on/off" button.

### 3.1 Filling the rinsing aid reservoir

The rinsing aid grants an even drying of crockery without leaving spots.

The reservoir is fitted with an automatic dosing system with a level indicator and quantity regulator.

To fill it:

- Move the button until the cover opens (Fig. 14).

- Pour the rinsing aid in the centre part of the tray (Fig. 15) until the glass of the level indicator (A) becomes dark (Fig. 17 ring max.).

The rinsing aid is automatically dispensed through hole (B) (Fig. 15), during the wash cycle.

The total capacity of the reservoir is 150 cc. and suffices for 50 wash cycles approx.

- Reload the rinsing aid reservoir when the level indicator (A) appears bright (Fig. 17 ring min.).

- After filling, close the cover until a click is heard (Fig. 16).

### Adjusting the rinsing aid dose

The dishwasher is supplied with the regulator adjusted on medium position 3 (Fig. 18).

It may be useful to modify this position in the following cases:

- Increase to 4-6 when your crockery is circled or spotted with calcium at the end of the wash cycle.

- Diminish to 2-1 when your crockery is striked at the end of the wash cycle.

The use of a coin (C) will facilitate the position of the regulator.

- Close the cover until a click is heard (Fig. 16).

### 3.2 Loading the crockery/cutlery into the baskets

To obtain the best washing results, it is necessary to load the dishwasher correctly.

Hereunder are some hints:

- Before loading dishes, eliminate large food particles.

- Place very dirty and large crockery in the lower basket and small, delicate and light crockery in the upper basket.

- Place cups, saucers, glasses and pans with the opening downwards.

- Ensure that glasses and crockery do not touch each other.

- After loading the dishwasher, ensure that the two spray arms are free to rotate and do not touch crockery.

- Check that the water funnel in the upper basket is not prevented from receiving the water jet coming from the shower (Fig. 26-27).

### Loading the lower basket

Fig. 19: Dishes load only

- Soup plates in the right hand side rack (11 dishes max)

- Dinner plates in the left hand side rack (12 dishes max + 1 soup plate)

- N. 6 dessert plates in the front left hand side rack + 6 at the right hand side

- Oval dish in the middle

- Cutlery in the small basket (position them as illustrated in Fig. 25).

### Fig. 20: Mixed load - plates/pans

For deep casseroles or large diameters dishes (29 cm. max.) it will be necessary to move the upper basket to the "High" position (Fig. 20-21).

Operate on the basket handles (A) and move upwards at the same time (direction (B)) until a click is heard.

**Fig. 22: Loading the upper basket**

- Glasses at the right and left hand sides. For "flut" glasses use the adjustable supports (see detail of Fig. C inside cover)
- Small plates in the middle rear side.
- Tea cups/coffee cups in double row using the adjustable supports (see detail of Fig. C inside cover).
- Bowls in the front side.
- With long handles and long knives in the upper basket (see detail of Fig. C inside cover).

- Fig. 23: Dishes with a diameter 25 cm (max) in the upper basket, at the right hand side.

In this case it will be necessary to move the basket in the "Low" position (Fig. 23-24).

Operate on the basket handles (A) and move downwards at the same time (direction (B)).

**Adjusting the water pressure (Fig. 26-27)**

The pressure of the water jets from the upper spray arm can be adjusted by turning the water funnel (K).

High pressure (turn +) for a normal load (e.g. cups, plates, small plates, glasses).

Low pressure (turn —) for a delicate load (e.g. very delicate glasses).

**3.3 Adding the detergent**

Only use powder detergent specifically designed for domestic dishwashers (powder or liquid detergent).

Add the detergent before any wash cycle, except for programme "N. 1" (rinse and hold cycle).

**Procedure**

- Open the cover (Fig. 28).

**Powder detergent (Fig. 29)**

- Pour 7,5 grams of detergent (2 teaspoons) in the small compartment and 17,5 grams (4 teaspoons) in the large compartment.

**Liquid detergent**

Half fill the compartments.

The above quantities are given as an indication only.

They refer to a normal programme.

For the other programmes, see the "Programme Chart".

- Close the cover (Fig. 30) until a click is heard.

The detergent drawer is equipped with a flap section (Fig. 30A) and the detergent is dispensed from the pre-wash compartment when the dishwasher door is closed.

This is to avoid the power detergent from going outside the dishwasher.

Close the dishwasher door until a click is heard.

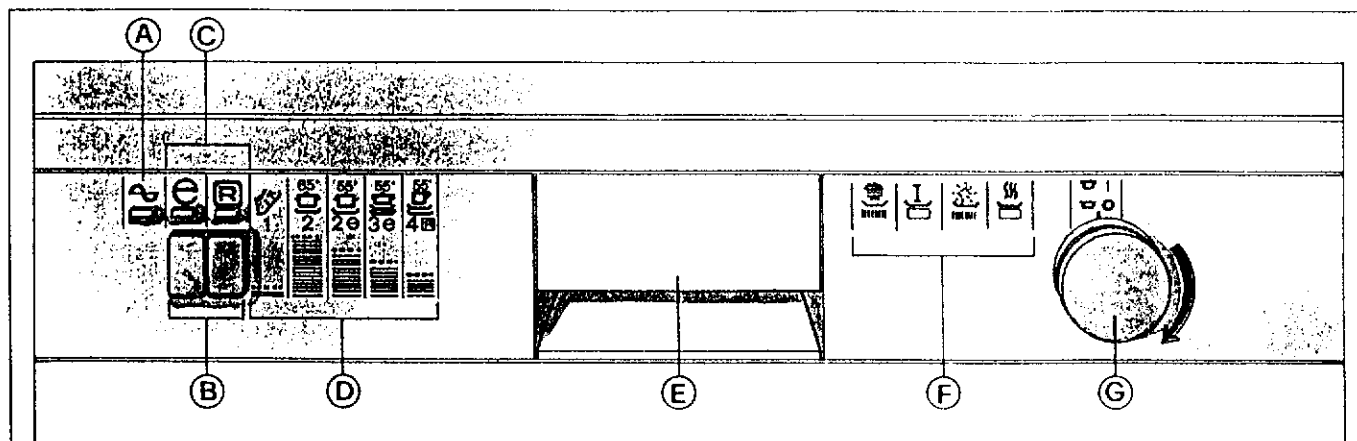


Your new dishwasher is fitted with the unique D.P.C. (Dynamic Performance Control) patented system, which ensures excellent washing performance even under adverse conditions such as:

- over foaming
- partially blocked filter
- water trapped in an upturned cup or sauce pan

It senses any drop in pressure to the spray arms and automatically restores it back to normal.

3.4 Control panel/choice of the programme



A) PILOTS LAMP (OPERATION)

B) PUSH-BUTTONS:

- Energy saving button
- Rapid programme button

C) PILOT LAMPS FOR BUTTONS:

D) PROGRAMMES symbols with diagram indicating the energy consumption.

E) DOOR HANDLE

F) PROGRAMME SELECTOR ON/OFF KNOB

- Dishwasher on: knob pulled out
- Dishwasher off: knob pushed in

G) CYCLE PHASES:

- Rinse
- Wash
- Rinse with rinse aid
- Drying

**PROGRAMMES CHART**

Knob position	Button pressed	Programme	Type of load	Detergent in dispenser (gr) (Fig. 34)		Pre-wash	Programme length (mins. approx.)(*)
				small	large		
1	-	Rinse and hold. (Cold rinse).	Part load for prewash when a full programme is not needed.	-	-	Cold	8
2	-	65°  Normal programme (65°C) with cold pre-wash (According to IEC 436 and DIN 44990 standards).	Normally soiled crockery with dried on food remains.	10	20	Cold	74
2	e	55°  Economy programme (55°C) with cold pre-wash.	Normally soiled crockery with food remains not dried on.	10	20	Cold	68
3	e	55°  Economy plus (55°C) without pre-wash.	Lightly soiled crockery with food remains not dried on.	-	20	-	66
4	R	55°  Quick wash (55°C).	Lightly to normally soiled crockery with food remains not dried on for 1/2 load.	-	20	-	39

(\*) Times are subject to variations depending on the inlet water temperature.

**Programme selection**

Consult the Programme Chart, page 7 before selecting a programme. Choose a programme to suit your requirements and to make full use of the economy features available by using the Programme Selector knob (Fig. 36), in conjunction with the buttons (Fig. 32). For this turn the knob in the direction of the arrow.

Do not turn the knob anti-clockwise as damage could result to the programme switch assembly.

**3.5 How to operate the machine**

After loading the machine, check that:

- the two spray arms turn freely without obstructions;
- the dishwasher door is correctly closed;
- the water tap is completely open.
- Choose the programme by means of the programme selector knob (Fig. 31), checking that the number of the programme selected is aligned with the reference mark on the control panel.

For this, turn the knob in the direction of the arrow (clockwise).

**NOTE: Avoid turning the knob anti-clockwise** as the operation of the programme selector knob can be compromised. When selecting a programme, if the desired programme number is exceeded, re-adjust the knob making a complete clockwise turn.

- press, if required, the "e" or "R" buttons, dependent on the programme required (Fig. 32);
- pull the on/off knob out (Fig. 33A).

The lamps on the button selected will illuminate indicating that the machine is connected to the mains. The operation is completely automatic.

**Programme progress**

On the control panel the different cycle phases are indicated (see "F" on the control panel).

Under each symbol a reference colour (or graphic) is visible.

The programme selector disc (Fig. 31A) has the same colours as the cycle phases.

It is therefore possible to check the progress of the wash programme selected during the operation of the machine.

**At the end of the wash cycle**

- Press the knob (Fig. 33B) to disconnect the machine from the mains. The operation lamps will automatically switch off.
- Close the water tap, if this is accessible.
- Wait 15 mins. approx. before unloading the machine, to avoid the risk of burns.
- To accelerate drying of crockery and their cooling down carefully, open the door of the dishwasher and leave ajar at the end of the cycle.
- We suggest you empty the lower basket first and then the upper one.

**4 MAINTENANCE**

Before any cleaning operation, unplug the appliance or switch off electricity at the mains.

The dishwasher requires little maintenance.

- To clean the exterior use a damp cloth or a sponge dampened in water, then dry carefully.
- Clean regularly the rubber gasket around the door with a damp cloth to eliminate any residual food particle.
- Avoid using chemical and abrasive products.

**4.1 Cleaning the filter and the micro-filter periodically**

To remove the filter from the dishwasher turn wing (A) and lift (B) (Fig. 35).

Dismantle the parts completing the filter:

Fig. 36: Lay the filter on a worktop. Press in the direction (A) until the basket filter comes out.

Fig. 37: Press the cylinder body of the basket filter (A) in the direction (C) and pull at the same time wing (D) out. Wash the parts completing the filter, particularly the micro-filter; use a brush (Fig. 38) and running water.

Re-assemble and replace the filter into its seat, turn the wing (in the opposite direction of Fig. 35) until the tightening click is heard.

**Note:** A proper cleaning of the filter and its correct re-assembling are a guarantee to obtain good washing results with less energy and water consumption.

**4.2 Cleaning the spray arms and the shower**

Periodically check that there are no particles obstructing the jet holes.

Remove the spray arms and wash them under running water:

Fig. 39: Lower spray arm (inox)

- unscrew the nut (1)
- lift the spray arm (A)

Fig. 40: Spray arm of the upper basket (plastic)

- unscrew the nut (2)
- the spray arm (B) will lower automatically

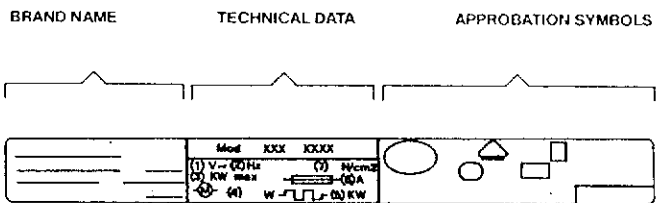
Fig. 41: Shower - top of tub

- unscrew the nut (C)

During the assembly operations, ensure that the spray arms are not interchanged (the spray holes must be turned upwards).

**5 MAIN TECHNICAL DATA**

- Capacity: 12 international standard place settings
- The main technical data of the appliance are reported on the Rating Plate placed on the upper part of the inner door:



- (1) - Supply voltage (Volts)
- (2) - Supply frequency (Hz)
- (3) - Total load (kW max)
- (4) - Pump motor (Watts)
- (5) - Heating element (kW)
- (6) - Fuse (A) to be foreseen in the house installation
- (7) - Water supply:  
 min 30 N/cm<sup>2</sup> (0.3 bar)  
 max 100 N/cm<sup>2</sup> (10 bar)

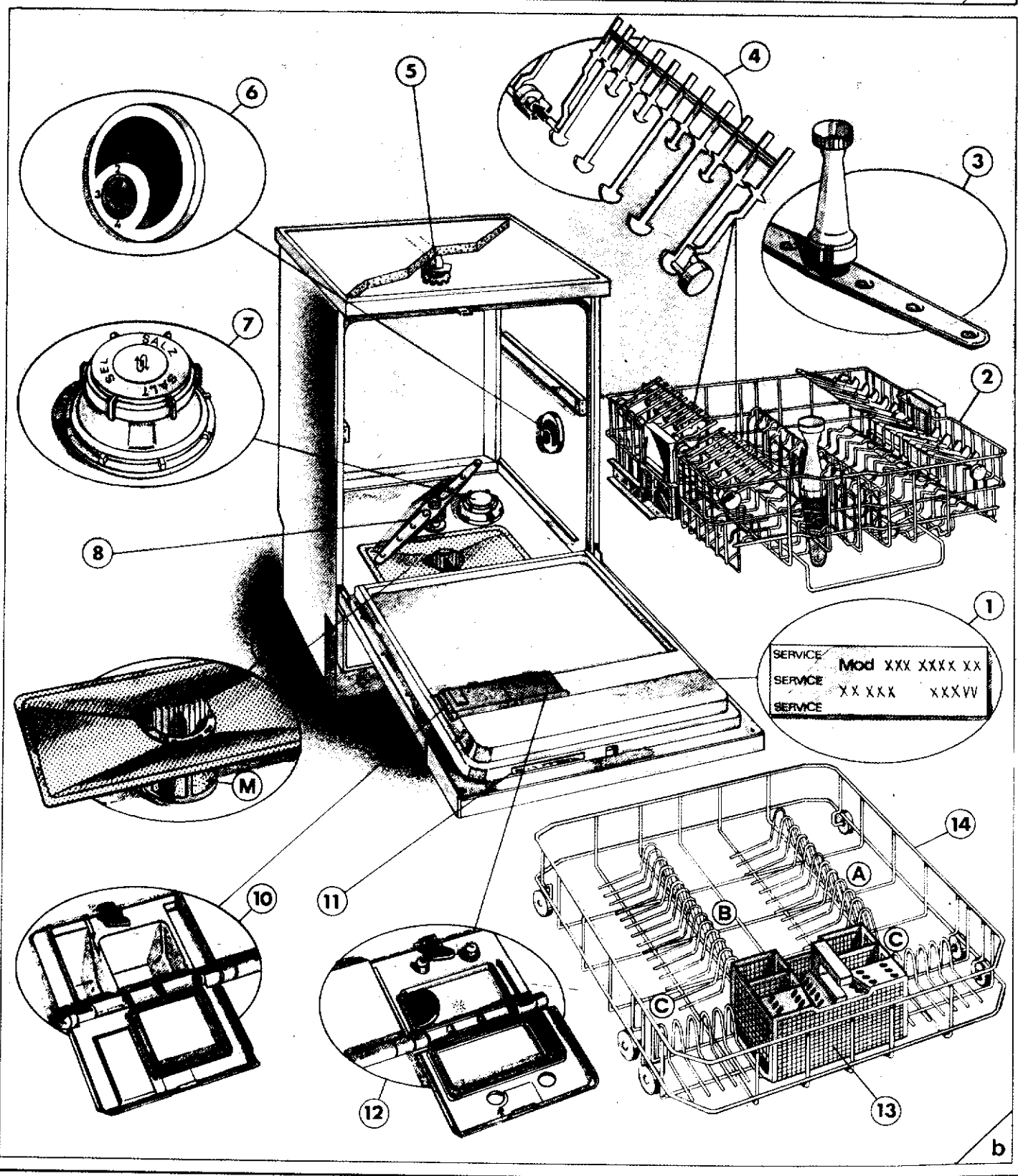
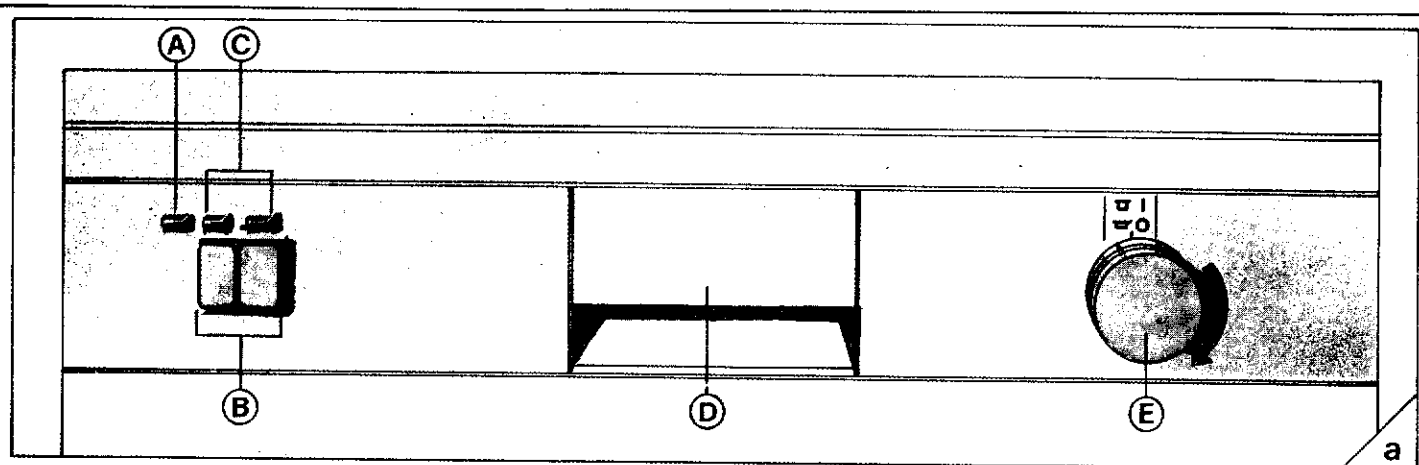
**N.B.:** This appliance is in compliance with EEC Directive N. 82/499/EEC on radio interference.

## 6 TROUBLE SHOOTING GUIDE

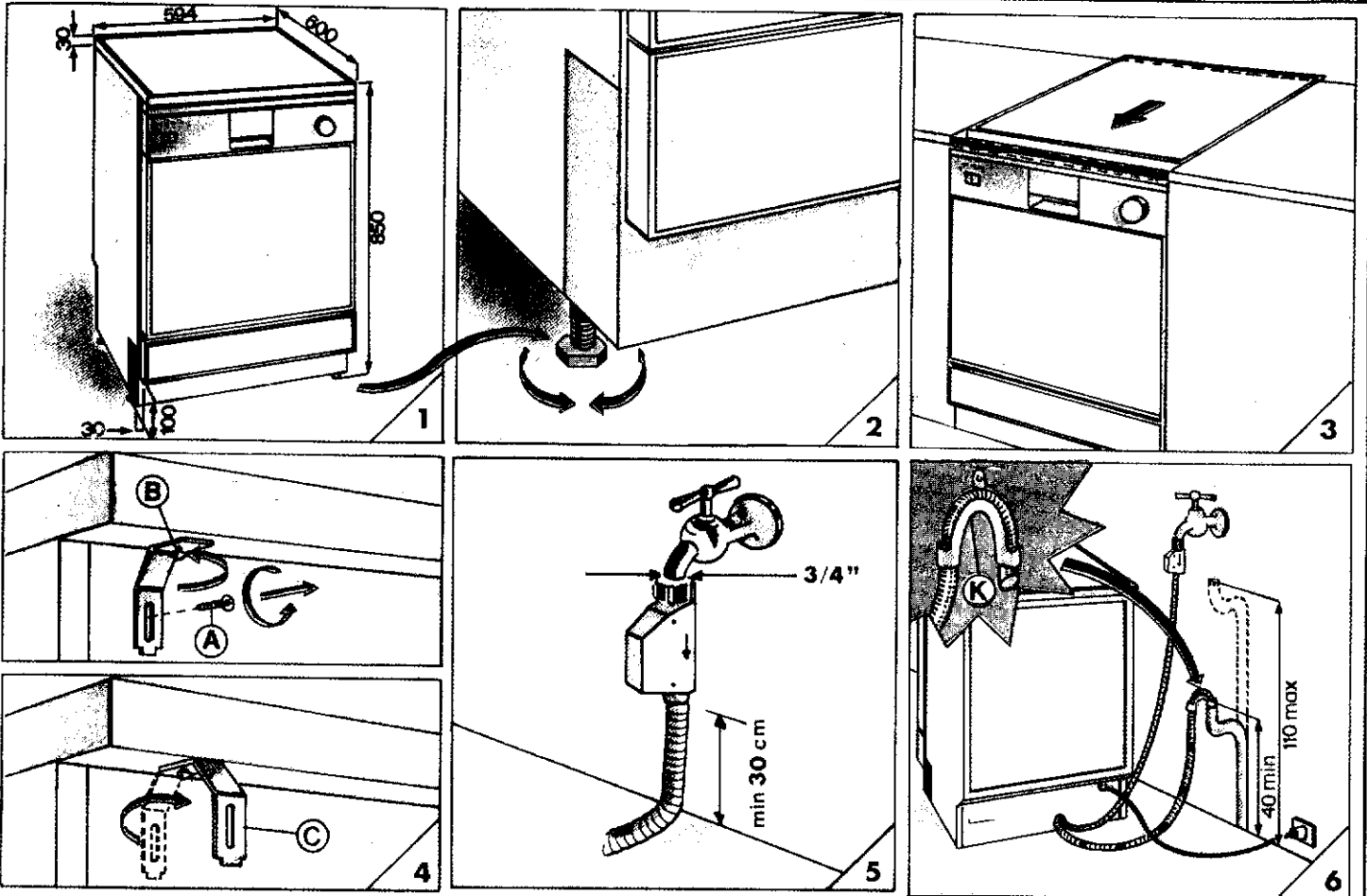
If your dishwasher is not working properly or not at all, check the following points before calling a service engineer. Remember that the Service Dept. will charge you for a service visit if the call is not due to a fault in the appliance, during the guarantee period. In the event of service being required, please inform the Service Centre the model and the serial number of the dishwasher which are displayed on the Service plate, situated inside the inner door, on the right hand side (Fig. b, position ①).

Fault	Remedy
The "on" lamp does not light.	The on/off push/pull knob has not been pulled out. The plug is not connected to the mains. The circuit fuse has blown.
The dishwasher does not operate even if the "on" lamp is alight.	The door is not properly closed. The water tap is not open. The filter of the supply hose is blocked. The water pressure is too low.
The water has not been drained.	The drain hose is kinked. The filter is obstructed. Wrong connection of the drain nose.
Spots on glasses.	The rinse aid quantity is too high.
After drying, there are still water drops on the crockery.	The rinse aid quantity is not enough.
Too much noise during the wash.	The crockery has not been loaded correctly in the dishwasher.
The wash result is not perfect.	The detergent and the rinse aid has not been correctly used. You have not chosen the correct programme. The crockery has not been loaded correctly, or the rack was overloaded. The spray arm has been blocked by the crockery. The filter was incorrectly fitted. The pressure regulator is not in low pressure position. The drain hose is kinked. Check the position of the spray arm and check the multi-funnel is in front of the water jets.
After the wash, there are tea or coffee spots on the crockery.	The detergent quantity is insufficient.

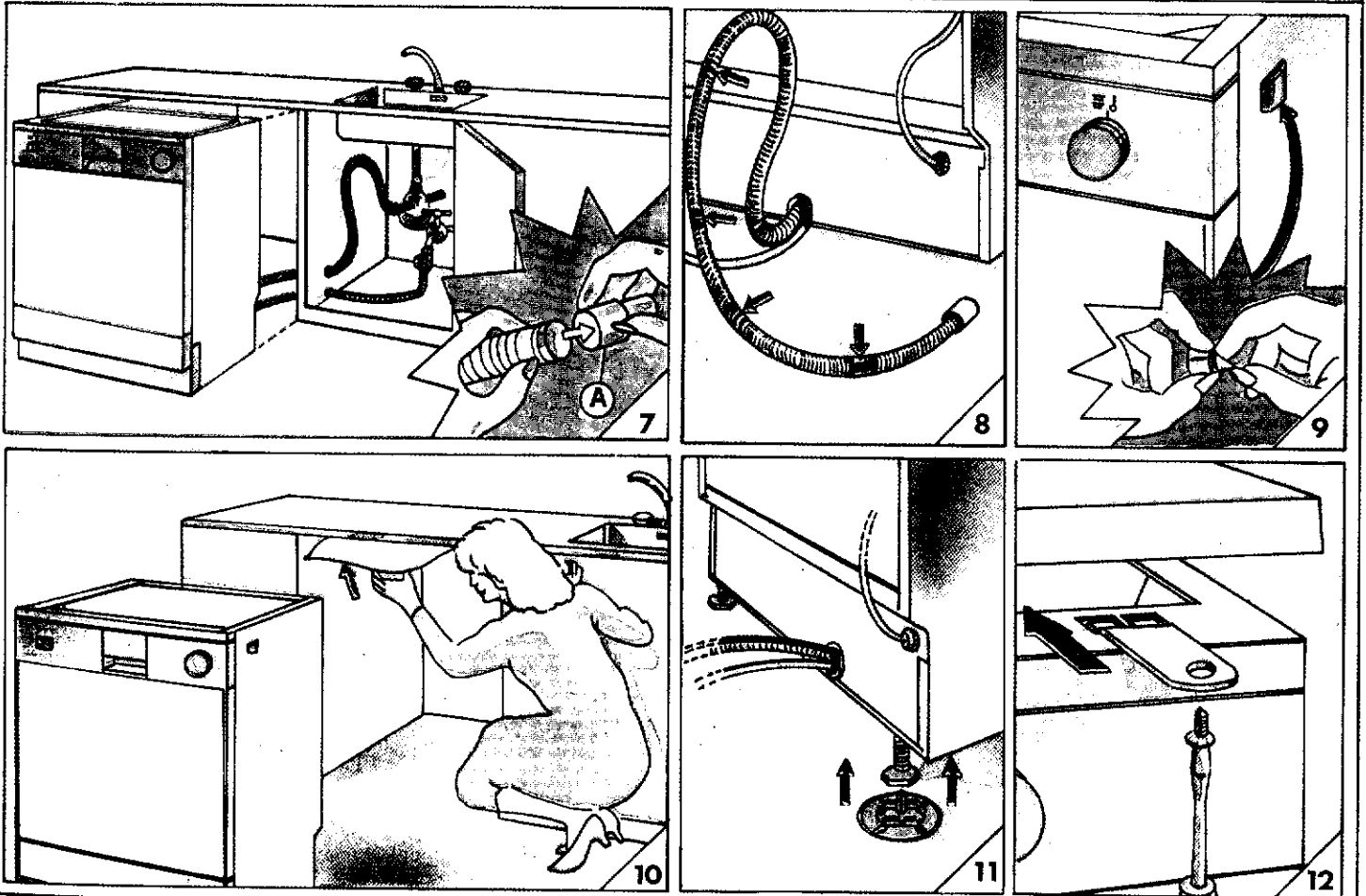




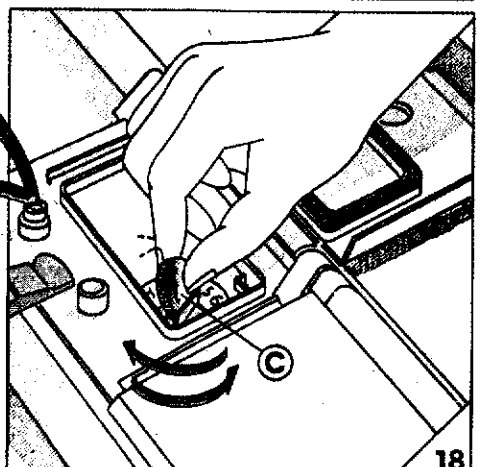
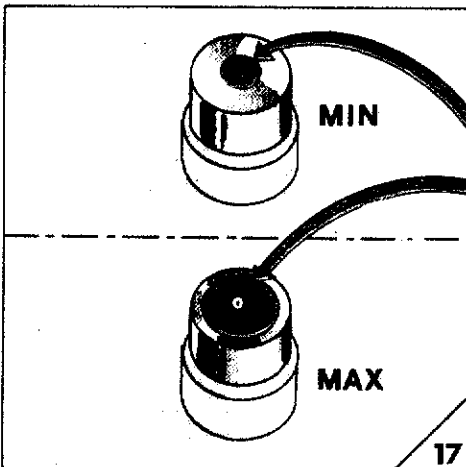
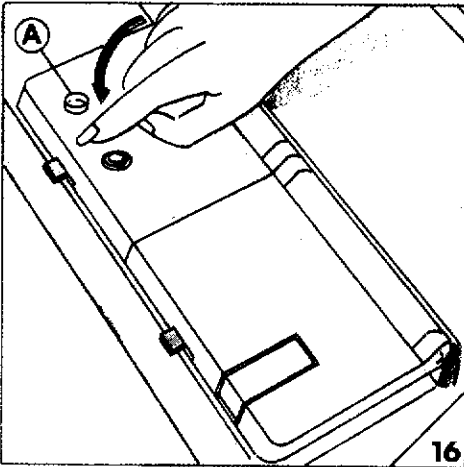
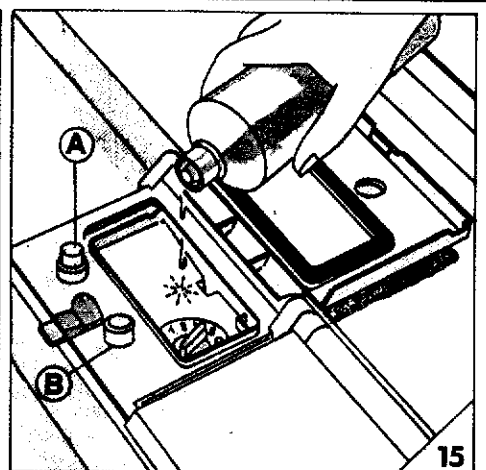
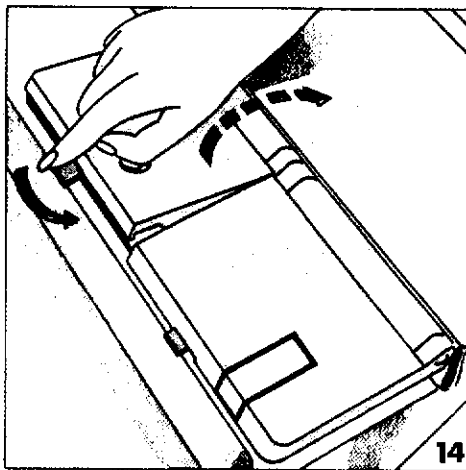
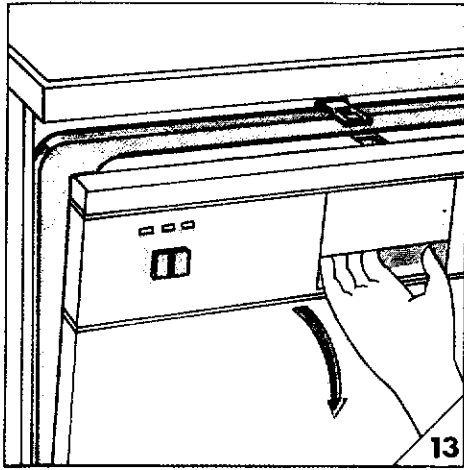
# Installazione



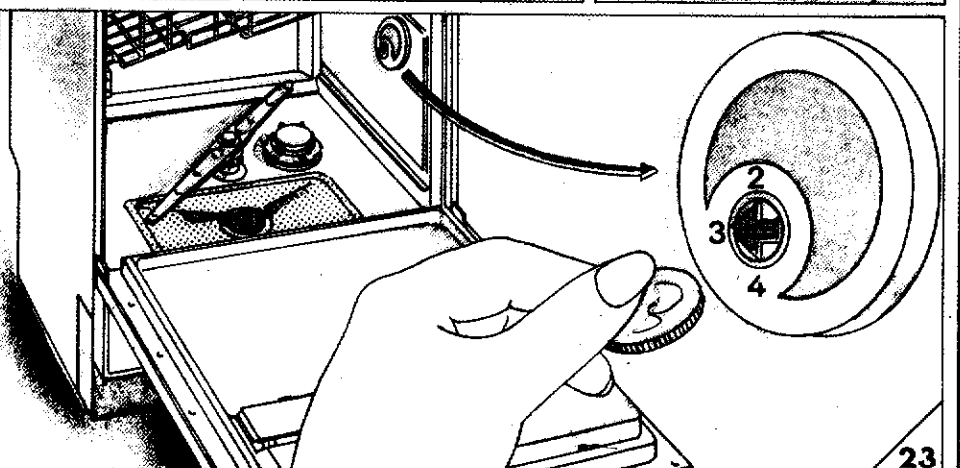
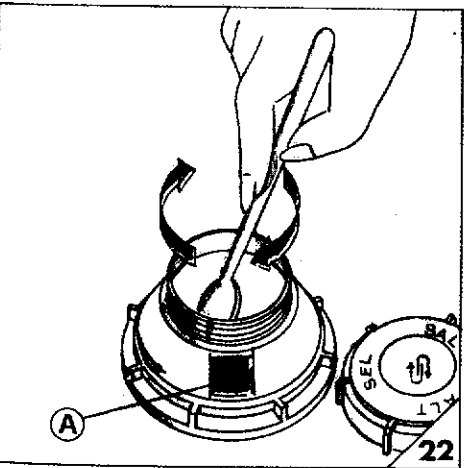
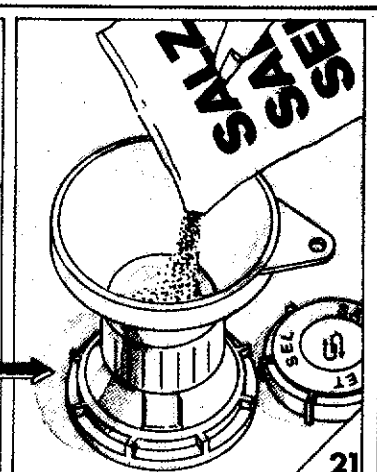
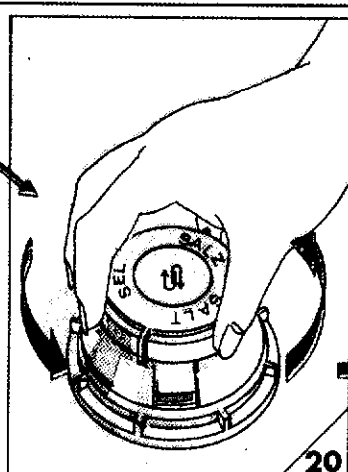
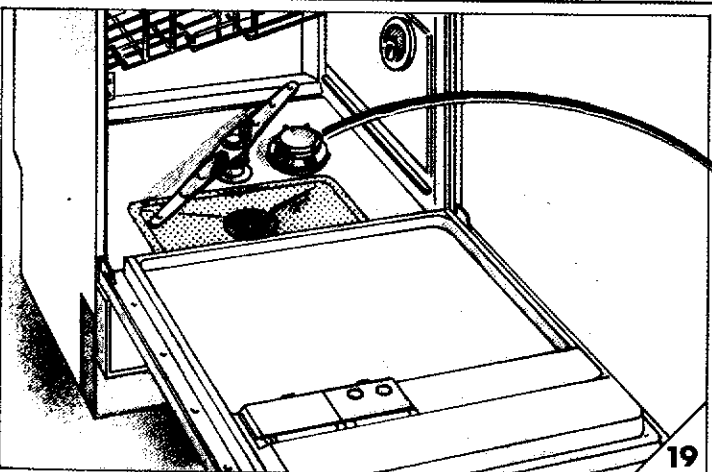
# Incasso



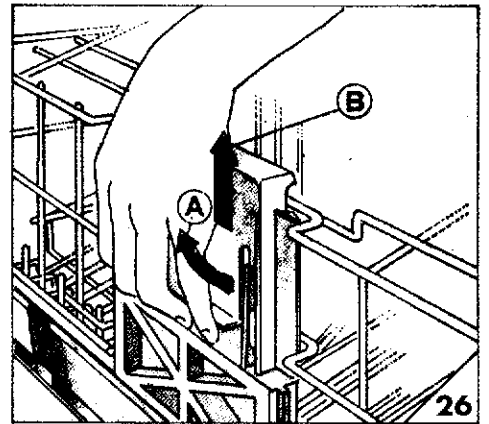
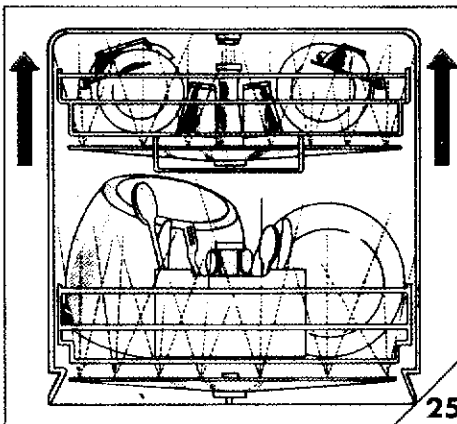
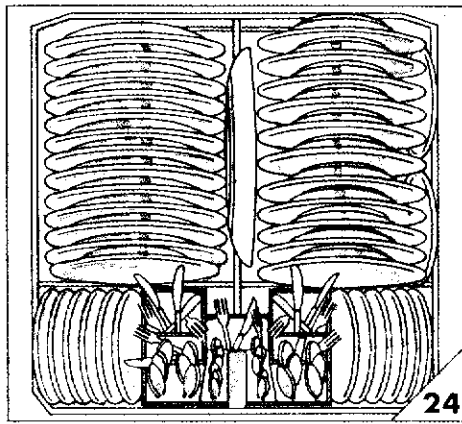
Caricamento brillantante



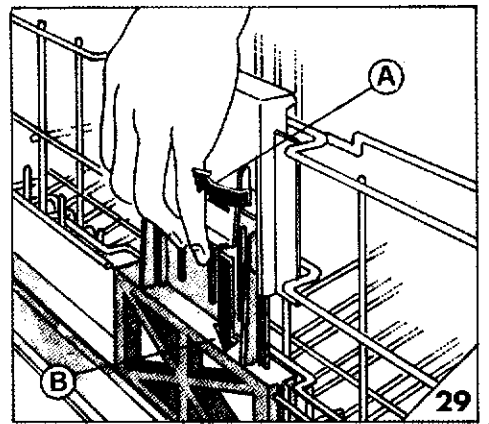
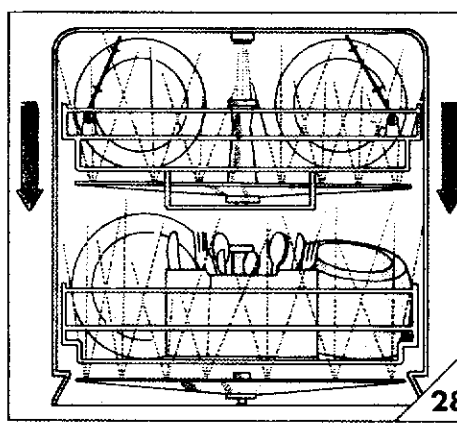
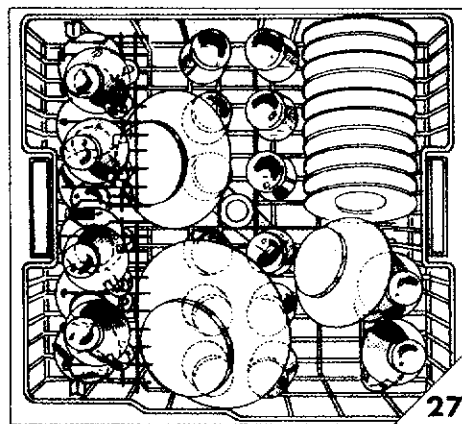
Caricamento sale



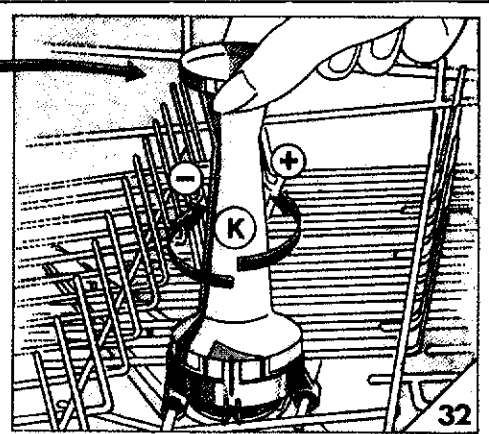
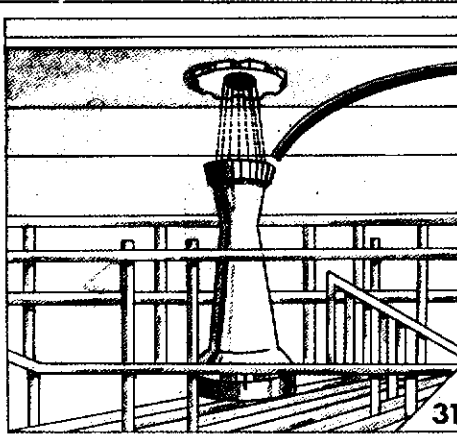
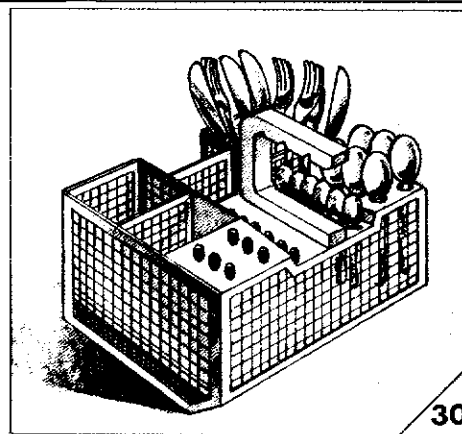
Cestello inferiore



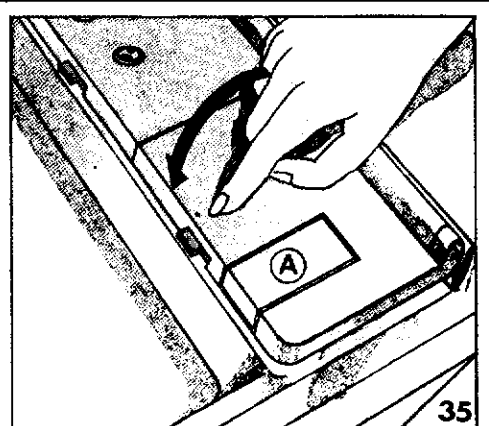
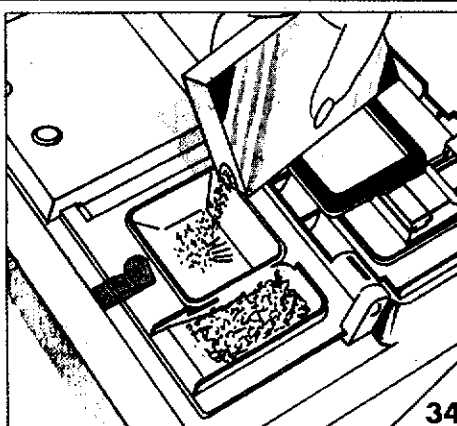
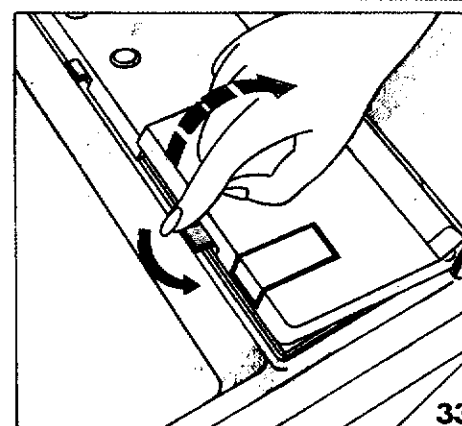
Cestello superiore



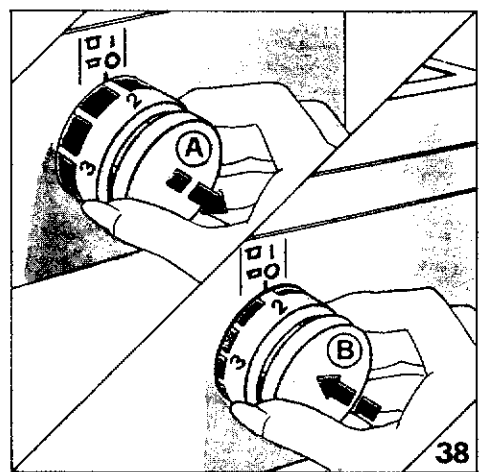
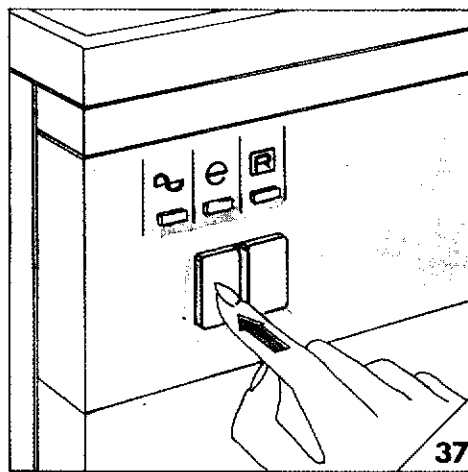
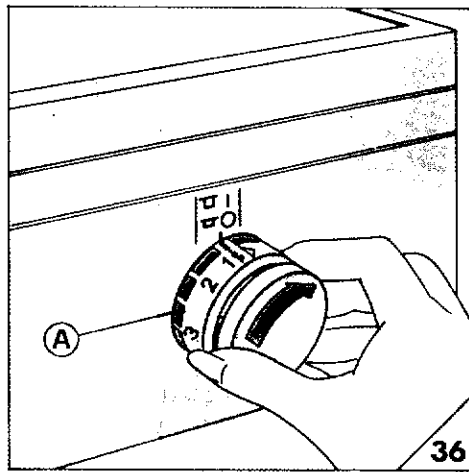
Regolazioni



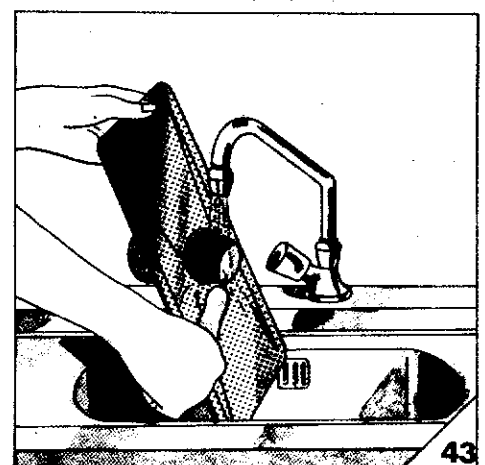
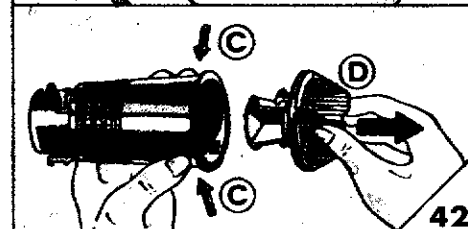
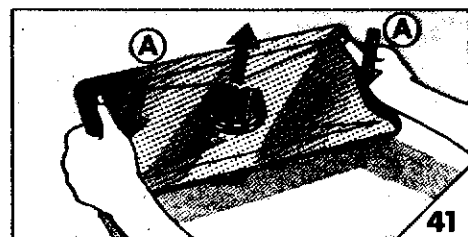
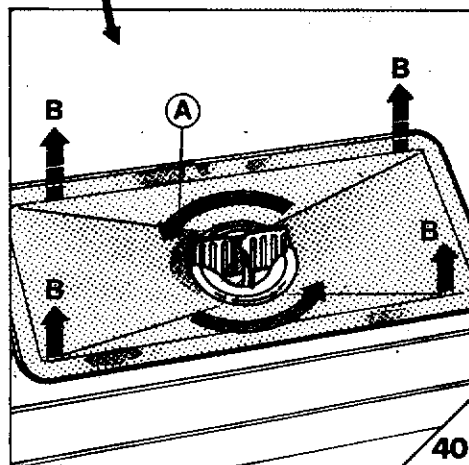
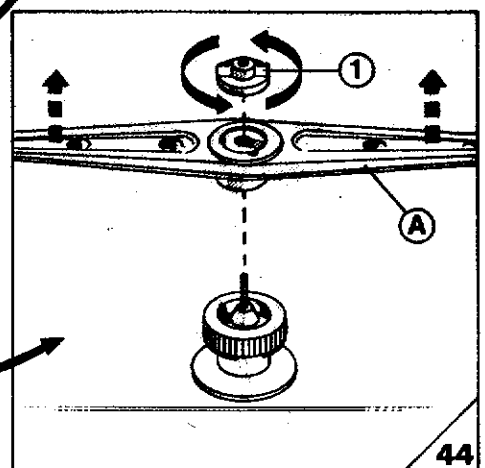
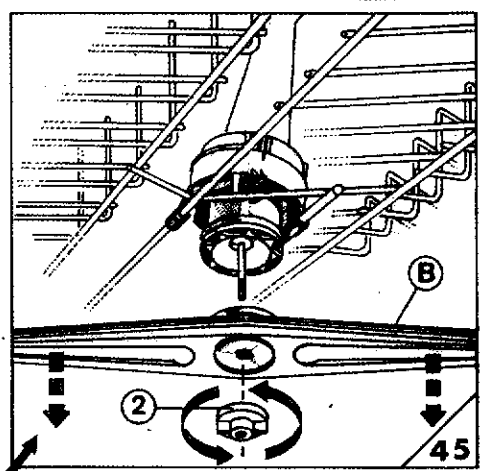
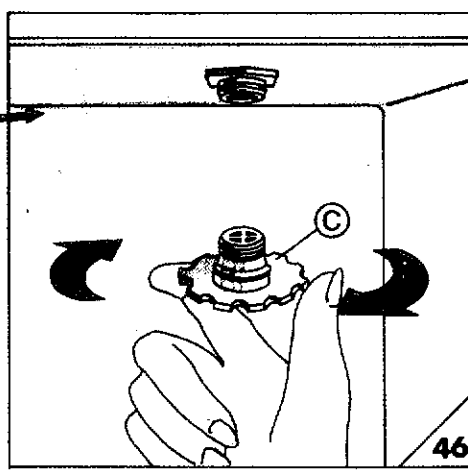
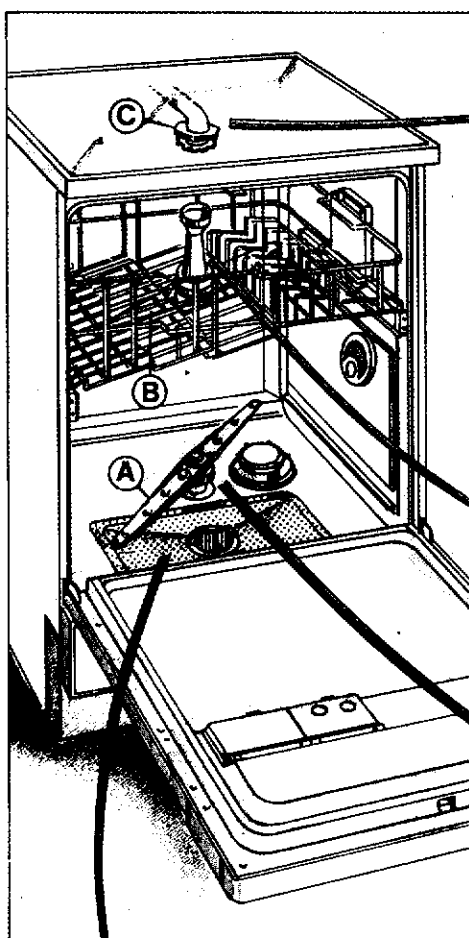
Caricamento detersivo



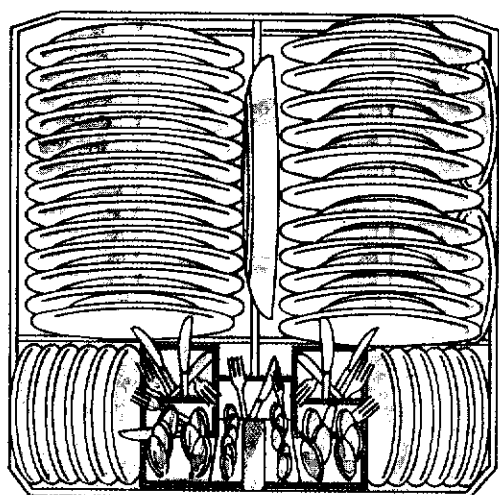
# Impostazione programma



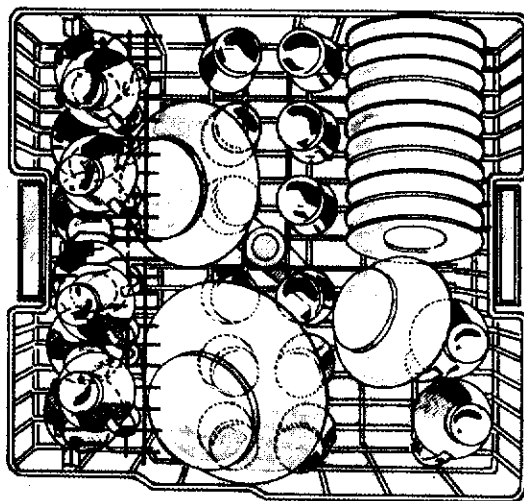
# Manutenzione



Carico standard

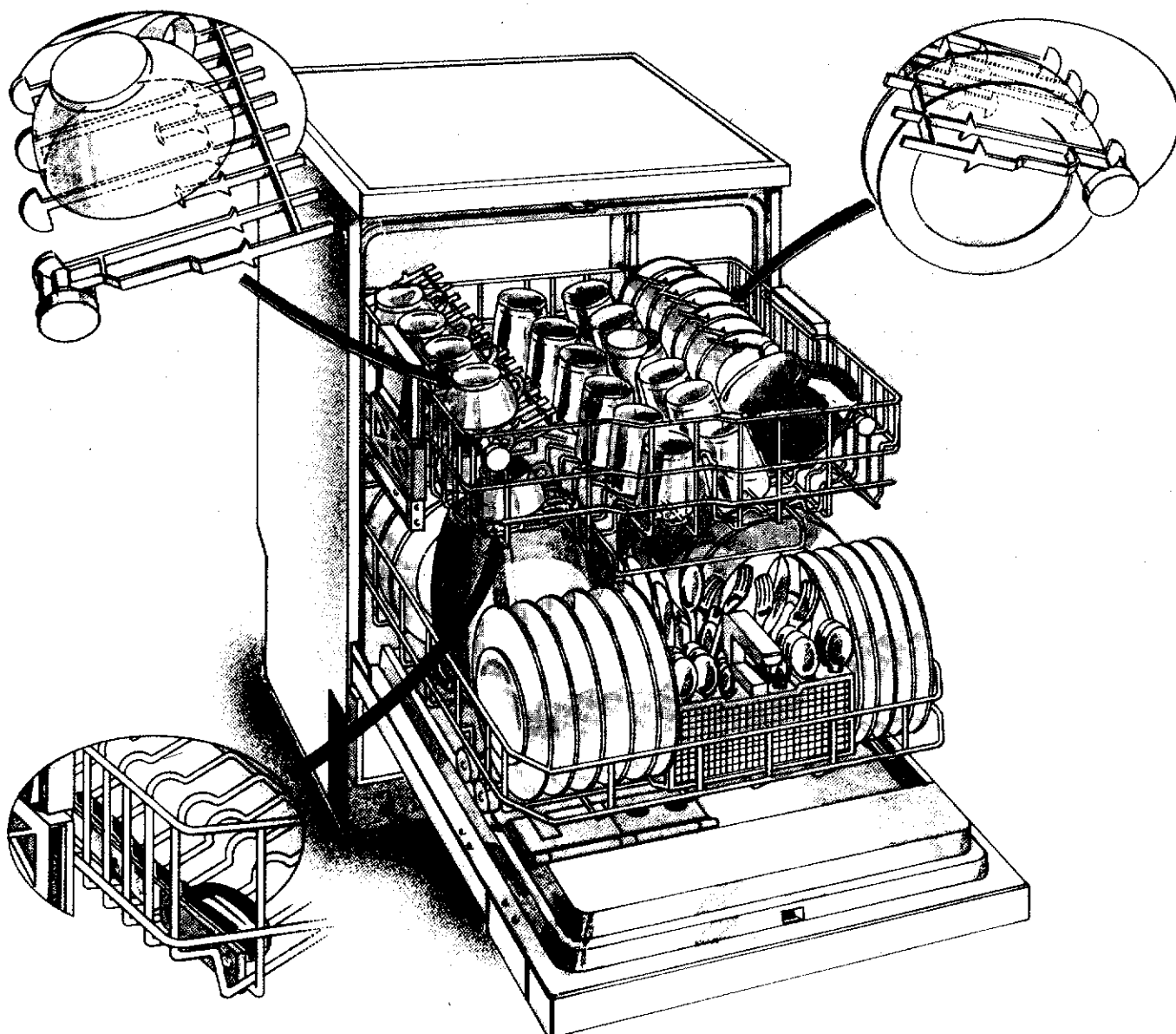


47



48

Esempio di carico



C

**NEW** Range of dishwashers with technical, functional and "Fitness for Use" innovations for very low noise level, optimal washing results, lower energy and water consumption than ever before.

**NEW** Extremely low noise level (52 dBA \*) being one of the lowest on the European market.

**NEW** Much reduced water consumption thanks to an in-depth study of all parts involved in the flow of water. The result is an improved wash performance and reduced water consumption of only 22 l for a complete washing cycle of 12 international place settings.

**NEW** This dishwasher is one of the most economical in terms of energy consumption with only 1.6 kWh for normal programme (IEC 436).

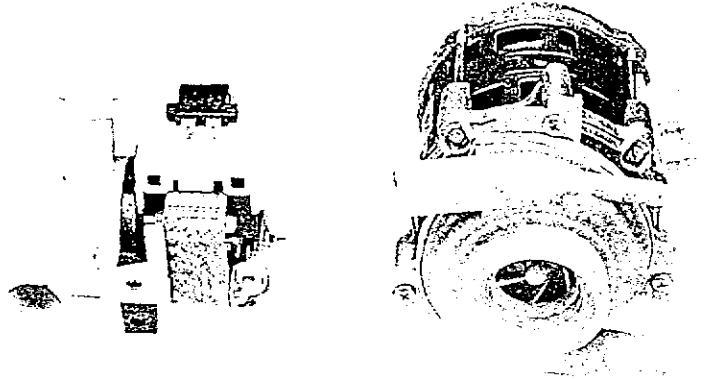
**NEW** This new dishwasher is fitted with the unique **DC** (Dynamic Performance Control) patented system, which ensures excellent washing performance even under adverse conditions such as:

- overfoaming
- partially blocked filter
- water trapped in an upturned cup or sauce pan.

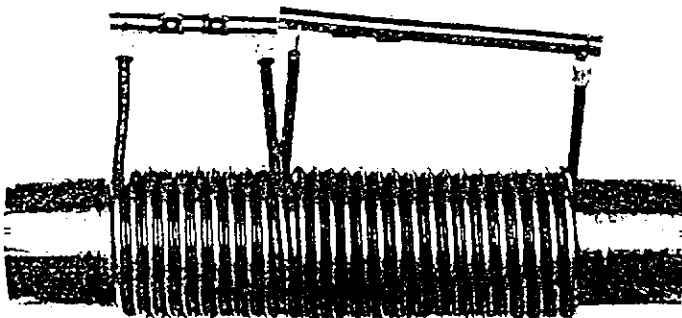
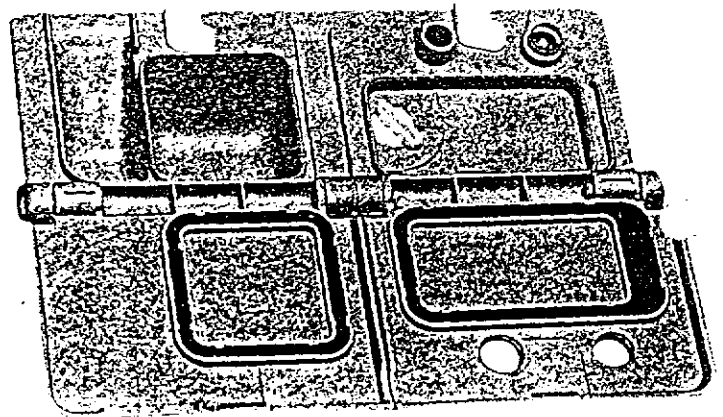
It senses any drop in pressure to the spray arms and automatically restores it back to normal.

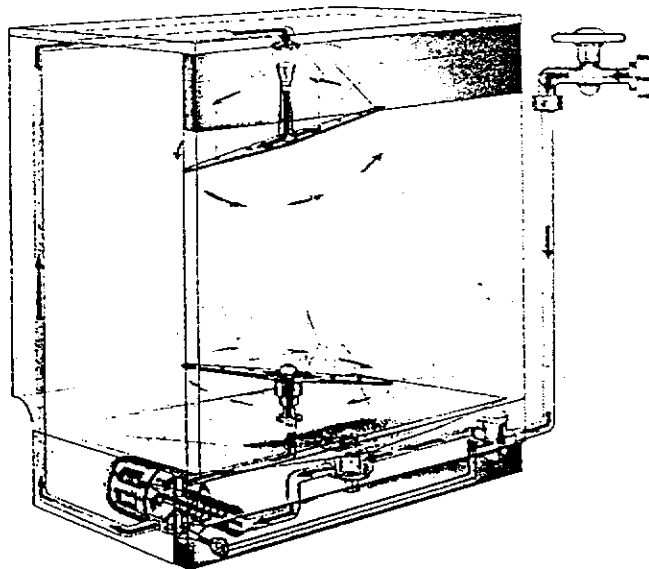
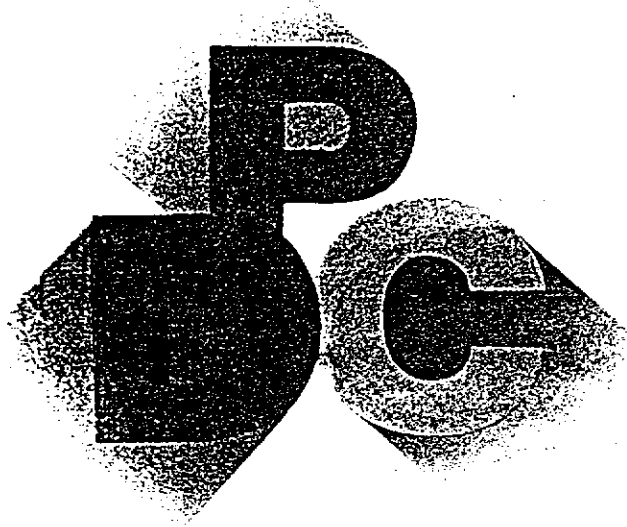
**NEW** The **DC** dishwashers are the first ones to have the heating element outside the tub. The heating phase is obtained by an electric resistance wrapped around the pipe and covered by a special screen protector put in the suction line of the washing pump.

**NEW** Two separate motors for washing and draining ensure smooth water flow, minimization of noise, energy saving thanks to the very low power absorbed (140 W for the motor pump, 80 W for the draining pump).



**NEW** Duci dispenser for both detergent and rinse aid. The detergent dispenser has two sections, one for the pre-wash (7.5 gr) and one for the washing (17.5 gr). The 7.5 grs introduced during the pre-wash phase prevent foaming problems particularly in presence of protein dirt. By using the same quantity of detergent as before the result is improved. The rinse aid dispenser is easy to fill and to adjust.





## TECHNICAL DATA

ADG 664/PH

### ELECTRICAL

Supply voltage/frequency	220-240 V / 50 Hz
Motor pump wash	140 W
Heating element	
Fuse rating	(U.K. version 13 A)
Nominal power	2.94 kWh
Cord set	1.50 m with or without plug

### HYDRAULIC

Water connection	
inlet hose	1.50 m with 3/4" connection
drain hose	1.50 m (special plastic pipe)
Water fill	cold/hot (max 70°C)
Spray levels	3: two spray arms plus ceiling shower; manual pressure adjustment on upper spray arm

### PERFORMANCE

Programme time IEC 436 programme	65'
Water consumption IEC 436 programme	22 l
Energy consumption	
- IEC 436 programme	1.6 kWh
- economy programme 55°C	1.4 kWh
- economy plus progr. 55°C	1.3 kWh
- rapid programme	1.2 kWh
Place capacity	12 settings
Programmes: 5	1- RINSE AND HOLD cold 2- NORMAL 65°C with cold prewash 3- ECONOMY 55°C with cold prewash 4- ECONOMY PLUS 55°C without prewash 5- RAPID PROGRAMME 55°C

Sound Power level (r.e. 1 pW) IEC 704/2/2 DIN 45650 T.5	LWS 54 dBA free standing LWS 52 dBA pushed-in installation
---	---

### OTHER SPECIFICATIONS

Push-pull knob	1 (on/off, programme selection)
Push buttons	2 (Eco, Rapid)
Pilot lamps	3 (1 for each push button plus on/off knob)
Stage of washing cycle	by programme indicator, on the knob
Detergent dispenser	with 2 sections (7.5 + 17.5 grs)
Rinse aid dispenser	with adjustable device (6 positions) and a visible fill. ind.
Water softener	with adjustable device (3 posit.) pos. 2 = 11° - 21° dH pos. 3 = 22° - 28° dH pos. 4 = over 28° dH
Salt refill indicator	mechanical, on salt container
Upper basket	inclined, adjustable in height with adjustable cup rack
Lower basket	with 2 removable dish racks and one cutlery basket
Feet	4, adjustable

### MATERIALS

Cabinet	painted steel sheet "Eurowhite"
Top	special scratch-proof plastic with frame
Control panel	grey/white
Tub/inner door	stainless steel (chrome/nickel 18/10)
Insulation	mineral wool and bitumen

### DIMENSIONS (H x W x D) in cm

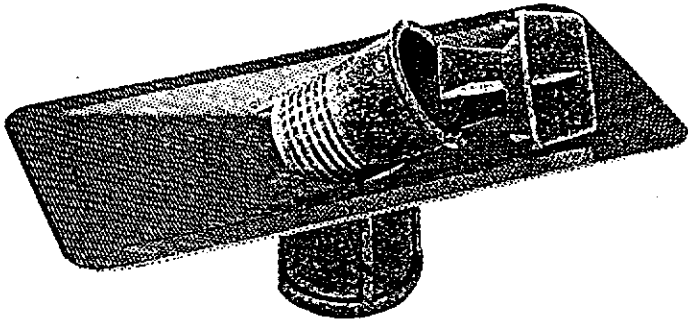
F.S. net	850 x 594 x 600
upper plinth	fix. 100
lower plinth	fix. 30
packed	960 x 680 x 660

### WEIGHT (approx) in kg

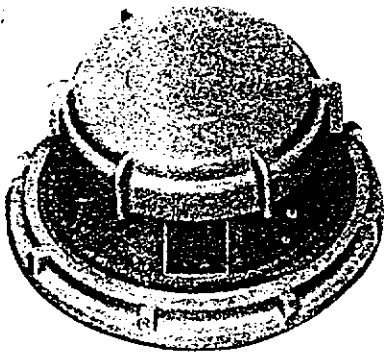
net	53
packed	56



**NEW** Double-action filter with microfilter traps food particles and prevents dirt from being returned to the dishes. Residues are drained out. Microfilter can easily be removed for cleaning.



**NEW** Mechanical salt refill indicator on salt container.



- Overflow protection system blocks the water flow coming from the inlet valve.
- No-return valve on the draining pipe prevents water from backing up.

- 5 programmes and 2 different thermostatically-controlled temperatures (55°C - 65°C) offer a variety of choice according to different needs to ensure excellent washing performance for both delicate dishes and dirty crockery:
  - 1- Rinse-and-hold programme allows delaying of start of main cycle until machine is fully loaded.
  - 2- Normal programme with cold pre-wash for very dirty crockery and pans (65°, 22 lt, 1.6 kWh).
  - 3/4- Very low running costs when using the 2 economy programmes for less dirty crockery: less energy and water consumption (1.3 kWh, 17 l).
  - 5- Rapid programme gives the opportunity to wash 12 normally dirty international place settings very quickly (only 35 minutes and 1.2 kWh energy consumption, 17 lt water).

- Inclined upper basket easily adjustable in height, even if fully loaded, increases loading flexibility.
- Pilot lamps indicate programme chosen.

**NEW** Grey flushline control panel with new Family Line aesthetics and standard dimensions (Available also in white).

**NEW** Eurowhite cabinet.

- Possibility of pushed-in fitting thanks to removable, adjustable top.