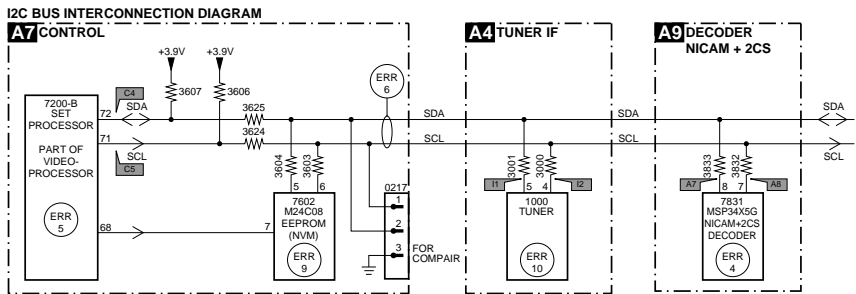
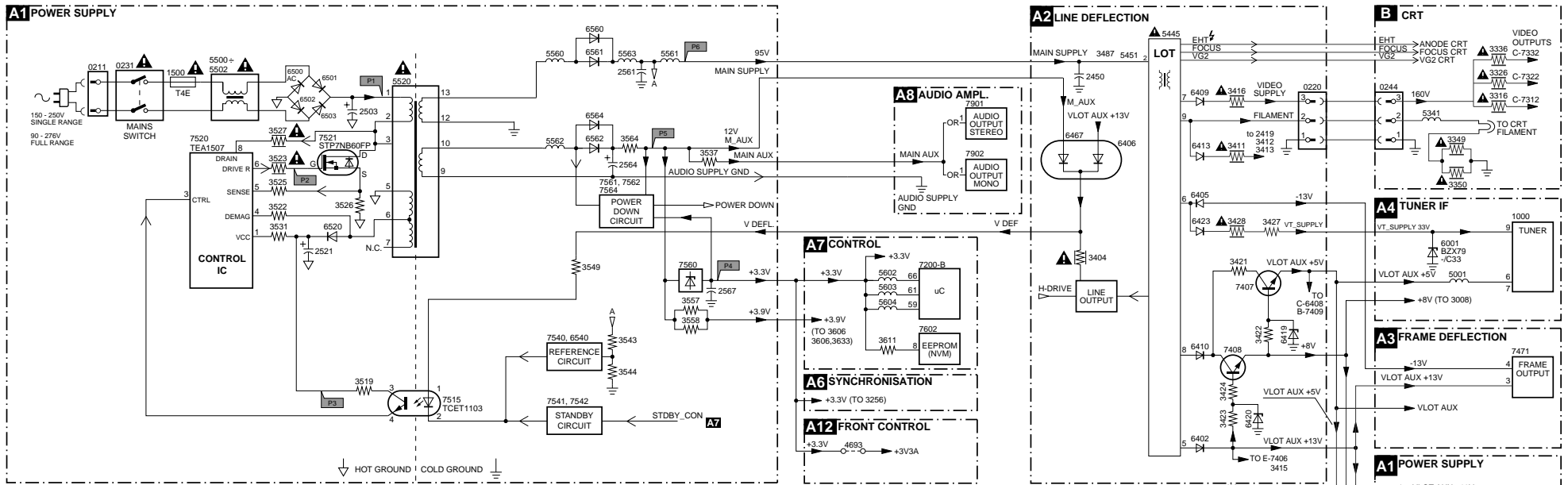


### I<sup>2</sup>C and Supply Voltage Diagram

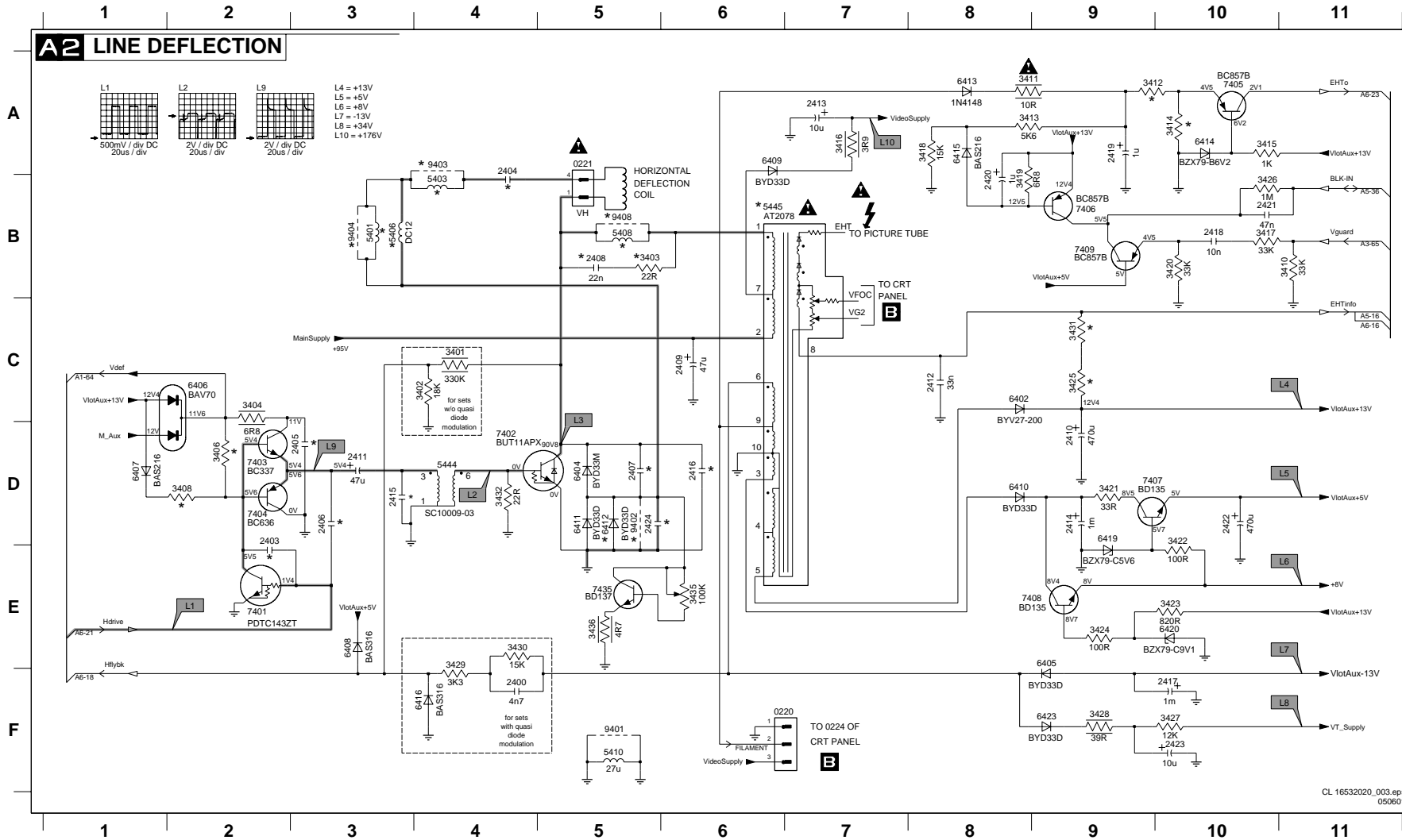


**ERROR CODE LIST**

Error	Description
0	No error
1	X-Ray / over voltage protection
2	High beam (BCI) protection
3	Vertical guard protection
4	I2C error while communicating with the sound processor
5	Power ON reset (POR bit) 3.3V protection / +8V protection
6	General I2C error
7	Power Good (over current) protection
8	EW protection (Large Screen only)
9	I2C error EEPROM error
10	I2C error PLL tuner
11	Black current loop instability protection



Large Signal Panel: Line Deflection

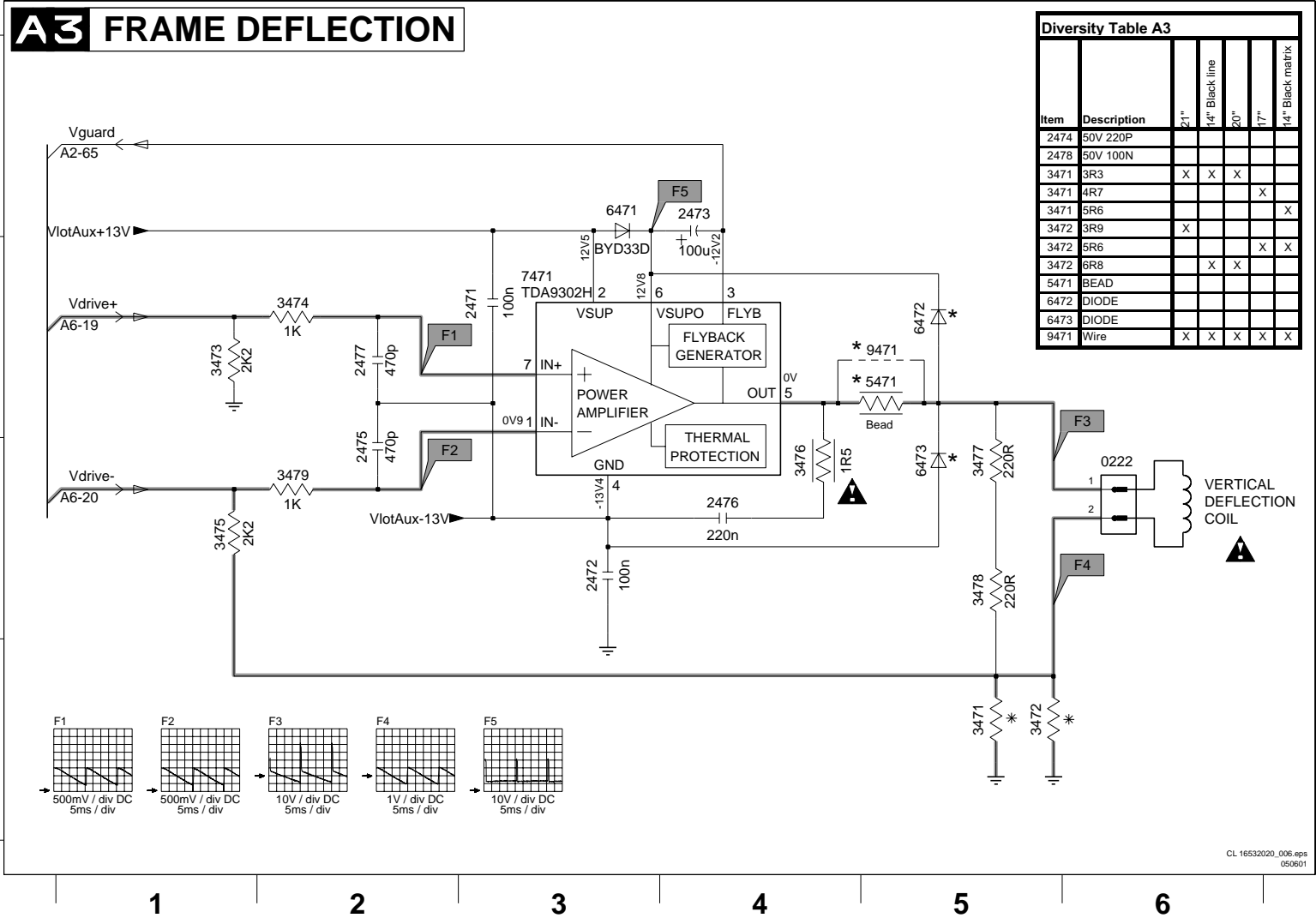


- 0220 F6
- 0221 A5
- 2400 F4
- 2403 D2
- 2404 A4
- 2405 D3
- 2406 D3
- 2407 D5
- 2408 B5
- 2408 B9
- 2410 D9
- 2411 D3
- 2412 C8
- 2413 A7
- 2414 D9
- 2415 D3
- 2416 D6
- 2417 F10
- 2418 B10
- 2419 A9
- 2420 B8
- 2421 B10
- 2422 B10
- 2423 F10
- 2424 D5
- 3401 C4
- 3402 C4
- 3403 B5
- 3404 C2
- 3406 D2
- 3408 D2
- 3410 B11
- 3411 A8
- 3412 A9
- 3413 A8
- 3414 A10
- 3415 A10
- 3416 A7
- 3417 B10
- 3418 A8
- 3419 B8
- 3420 B10
- 3421 D9
- 3422 D10
- 3423 E10
- 3424 E9
- 3425 C8
- 3426 B10
- 3427 F10
- 3428 F9
- 3429 E4
- 3430 E4
- 3431 C9
- 3432 D4
- 3435 E6
- 3436 E5
- 5401 B3
- 5403 B4
- 5406 B3
- 5408 B5
- 5410 F5
- 5444 D4
- 5445 B6
- 6402 C8
- 6404 D5
- 6406 E9
- 6406 C2
- 6407 D1
- 6408 E3
- 6409 A6
- 6410 D8
- 6411 D5
- 6412 D5
- 6413 A8
- 6414 A10
- 6415 A8
- 6416 F4
- 6419 D9
- 6420 E10
- 6423 F9
- 7401 E2
- 7402 D4
- 7403 D2
- 7404 D2
- 7405 A10
- 7406 B9
- 7407 D10
- 7408 B9
- 7409 B5
- 7435 E5
- 9401 F5
- 9402 D5
- 9403 A4
- 9404 B3
- 9408 B5

Large Signal Panel: Frame Deflection

0222 C6 2472 C3 2475 C2 2477 B2 3472 D5 3474 B2 3476 C4 3478 C5 5471 B5 6472 B5 7471 B3  
 2471 B3 2473 A4 2476 C4 3471 D5 3473 B1 3475 C1 3477 C5 3479 C2 6471 A3 6473 C5 9471 B5

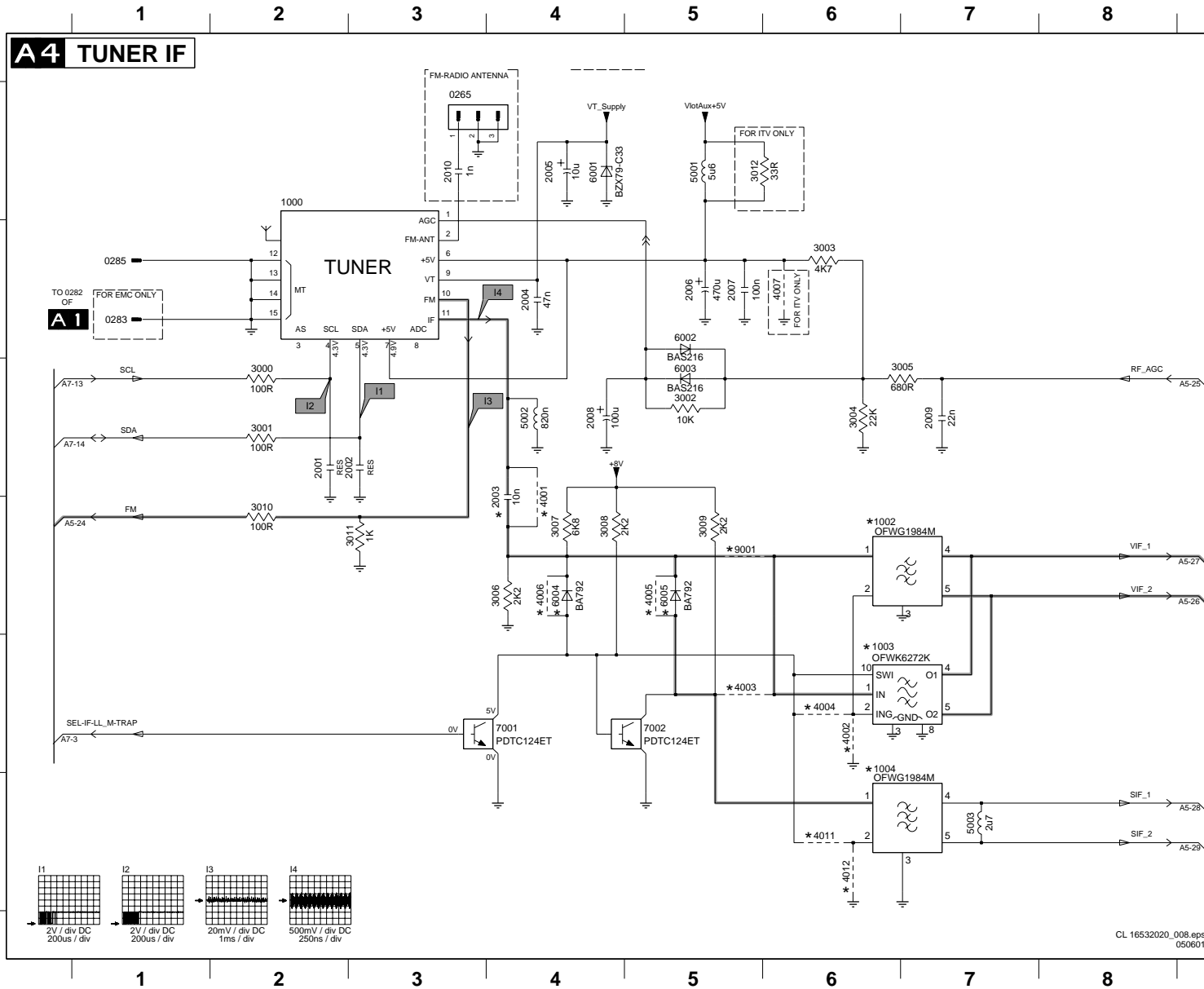
Diversity Table A2					
Item	Description	21"	20"	17"	14" Black matrix
2401	50V 680P capacitor				
2402	250V 680N				
2403	560nF 250V	X			
2404	680nF 250V		X		
2404	390nF 250V			X	
2404	470nF 250V			X	X
2405	1N 50V	X	X	X	X
2406	50V 330P				
2407	9nF1 1.6kV			X	X
2407	11nF 1.6kV	X			
2407	12nF 1.6kV		X		
2408	22nF 50V	X	X	X	X
2408	47nF 50V			X	X
2415	capacitor				
2416	220pF 2kV			X	X
2416	470pF 2kV	X			
2416	580pF 2kV			X	
2416	2.2nF 2kV		X		
2424	47N 100V	X	X	X	X
3221	1/8W 560R				
3222	1/8W 100R				
3401	330K				
3402	1/8W 18K				
3403	22R	X	X	X	X
3406	1/8W 10K	X	X	X	X
3407	220R				
3408	8K2 1/6W	X	X	X	X
3412	39K	X	X	X	X
3414	12K	X	X	X	X
3425	12K			X	X
3425	18K			X	X
3431	100R			X	
3431	1K	X			
3431	2K7		X		
3431	4K7			X	
3431	5K6				X
5401	68U				
5403	10U	X	X	X	
5406	COI LINCOR DRUM	X	X		
5406	COI LINCOR DRUM			X	
5408	22U		X		
5408	27U	X	X	X	X
5445	TFM 1142.5093D B	X	X	X	X
6401	DIO SIG BAV21				
6412	BYD33D	X	X	X	X
7402	TRA POW BUT11APX				
7407	TRA POW BD135-16				
7408	TRA POW BD135-16				
9402	Wire				
9403	Wire			X	X
9404	Wire			X	X
9408	Wire				



Diversity Table A3						
Item	Description	21"	14" Black line	20"	17"	14" Black matrix
2474	50V 220P					
2478	50V 100N					
3471	3R3	X	X	X		
3471	4R7				X	
3471	5R6					X
3472	3R9	X				
3472	5R6				X	X
3472	6R8		X	X		
5471	BEAD					
6472	DIODE					
6473	DIODE					
9471	Wire	X	X	X	X	X

### Large Signal Panel: Tuner IF

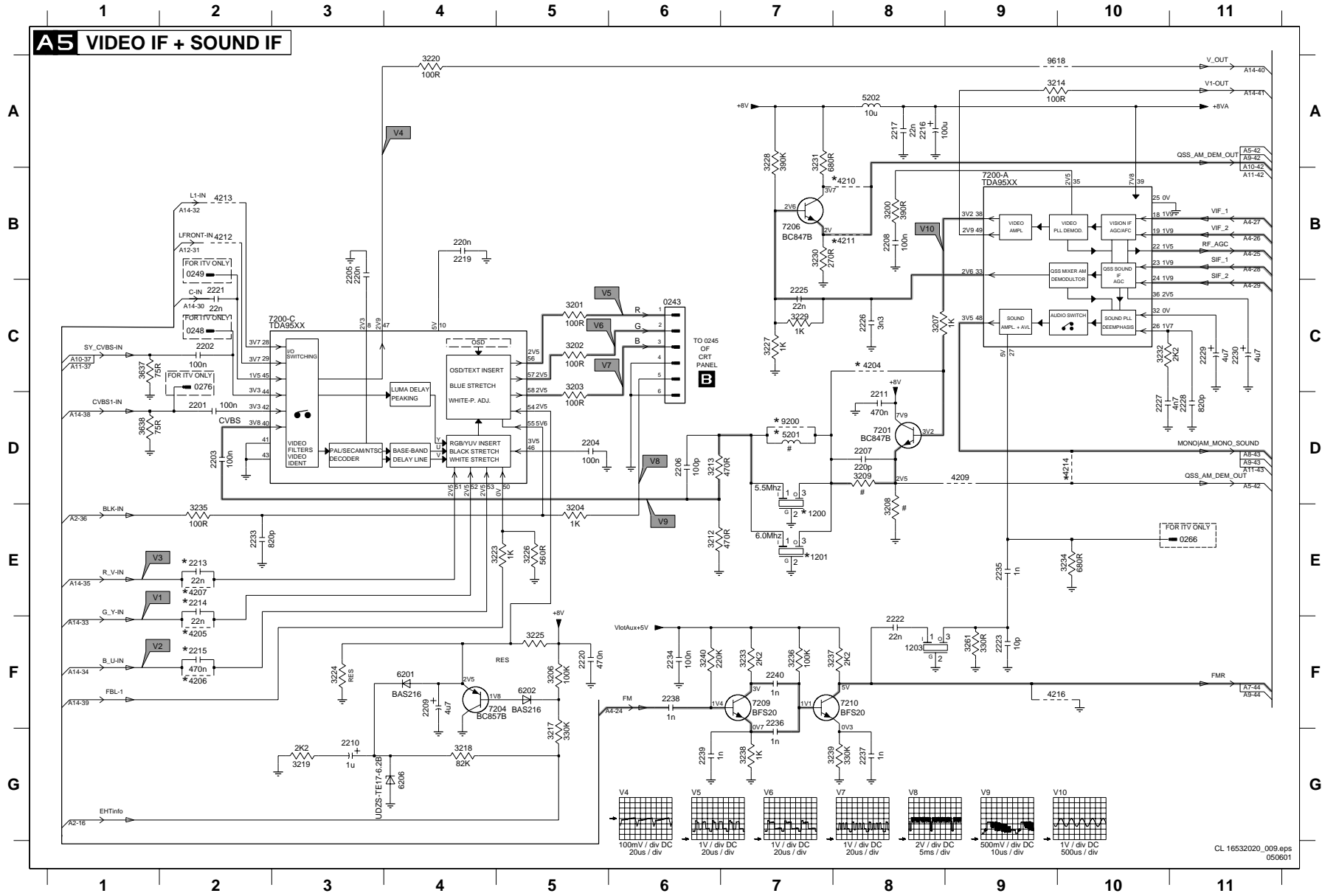
0265 A3 0285 B1 1002 D6 1004 E6 2002 C2 2004 B4 2006 B5 2008 C4 2010 A3 3001 C2 3003 B6 3005 C7 3007 D4 3009 D5 3011 D3 4001 C4 4003 E5 4005 D5 4007 B6 4012 F6 5002 C4 6001 A4 6003 C5 6005 D5 7002 E5  
 0283 B1 1000 A2 1003 E6 2001 C2 2003 D4 2005 A4 2007 B5 2009 C7 3000 C2 3002 C5 3004 C6 3006 D4 3008 D4 3010 D2 3012 A5 4002 E6 4004 E6 4006 D4 4011 F6 5001 A5 5003 F7 6002 B5 6004 D4 7001 E4 9001 D5



Diversity Table A4		4" 21" Stereo 3W, PAL BG-I		4" 17" 21" Mono 4W, PAL BG-I		4" 21" Stereo 3W, PAL, SECAM L-L1		4" 17" 21" Mono 4W, PAL, SECAM L-L1		4" 21" Stereo 3W, East Europe		4" 17" 21" Mono 4W, East Europe		4" 20" 21" Mono 1W, PAL BG-I		4" 20" 21" Mono 1W, PAL, SECAM L-L1	
Item	Description																
0265	3P	X	X	X	X	X	X	X	X	X	X	X	X	X	X	X	X
0285	1P																
1000	TUN V+U PLL IEC BGDK																
1000	TUNER UR1316R/A1-3	X	X	X	X	X	X	X	X	X	X	X	X	X	X	X	X
1002	OFWK3953M					X	X	X	X								
1003	OFWK6289K	X	X	X	X	X	X	X	X	X	X	X	X	X	X	X	X
1004	OFWK9656M					X	X	X	X								
2003	50V 10N	X	X	X	X	X	X	X	X	X	X	X	X	X	X	X	X
2010	1N	X	X	X	X	X	X	X	X	X	X	X	X	X	X	X	X
3002	10K					X	X	X	X								
3002	Jumper	X	X	X	X	X	X	X	X	X	X	X	X	X	X	X	X
3004	8K2																
3010	330R	X	X	X	X	X	X	X	X								
3010	Jumper					X	X	X	X								
3011	330R					X	X	X	X								
4001	Jumper																
4002	Jumper	X	X	X	X	X	X	X	X	X	X	X	X	X	X	X	X
4003	Jumper					X	X	X	X								
4004	Jumper																
4005	Jumper																
4006	Jumper																
4011	Jumper					X	X	X	X								
4012	Jumper																
4608	Jumper	X	X	X	X	X	X	X	X	X	X	X	X	X	X	X	X
4609	Jumper	X	X	X	X	X	X	X	X	X	X	X	X	X	X	X	X
5003	1U8					X	X	X	X								
6002	BAS316					X	X	X	X								
6002	BAS216					X	X	X	X								
6004	BA792	X	X	X	X	X	X	X	X	X	X	X	X	X	X	X	X
6005	BA792					X	X	X	X								
9001	Wire	X	X	X	X	X	X	X	X	X	X	X	X	X	X	X	X

Large Signal Panel: Video IF + Sound IF

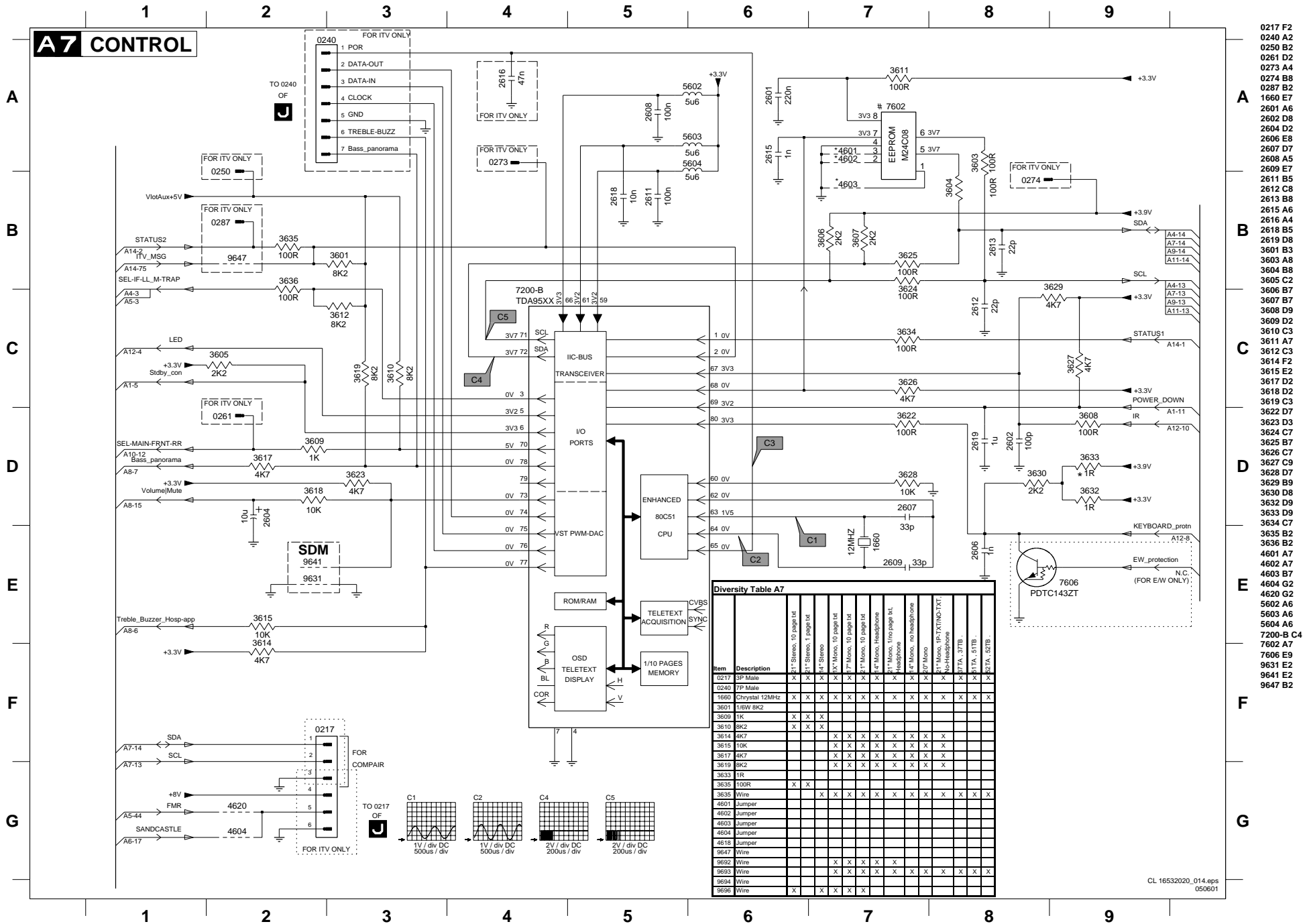
A5 VIDEO IF + SOUND IF



- 0343 C6
- 0248 C2
- 0249 B2
- 0266 E11
- 0276 C2
- 1200 E7
- 1201 E7
- 1203 F8
- 2201 D2
- 2202 C2
- 2203 D2
- 2204 D5
- 2205 B3
- 2206 D6
- 2207 D8
- 2208 B8
- 2209 F4
- 2210 G3
- 2211 D8
- 2213 E2
- 2214 E2
- 2215 F2
- 2216 A8
- 2217 A5
- 2219 B4
- 2220 F5
- 2221 C2
- 2222 F8
- 2223 F9
- 2225 C7
- 2226 C8
- 2227 D10
- 2228 D11
- 2229 C11
- 2230 C11
- 2233 E2
- 2234 F6
- 2235 E9
- 2236 F7
- 2237 G8
- 2238 F6
- 2239 G6
- 2240 F7
- 3200 B8
- 3201 C5
- 3202 C5
- 3203 C5
- 3204 E5
- 3206 F5
- 3207 C8
- 3208 E8
- 3209 D8
- 3212 E8
- 3213 D6
- 3214 A9
- 3217 G5
- 3218 G4
- 3219 G3
- 3220 A4
- 3223 E5
- 3224 F3
- 3225 F5
- 3226 E5
- 3227 C7
- 3228 A7
- 3229 C7
- 3230 B7
- 3231 A7
- 3232 C10
- 3233 F7
- 3234 E10
- 3235 E2
- 3236 F7
- 3237 F8
- 3238 G7
- 3239 G8
- 3240 F6
- 3261 F9
- 3637 C1
- 3638 D1
- 4204 C8
- 4205 F2
- 4206 F2
- 4207 E2
- 4208 D9
- 4210 B8
- 4211 B8
- 4212 B2
- 4213 B2
- 4214 D10
- 4216 F9
- 5201 D7
- 5202 A8
- 6201 F4
- 6202 F5
- 6206 G4
- 7200-A B9
- 7200-C C3
- 7201 D8
- 7204 F5
- 7206 B7
- 7208 F7
- 7210 F8
- 9200 D7
- 9618 A9



Large Signal Panel: Control

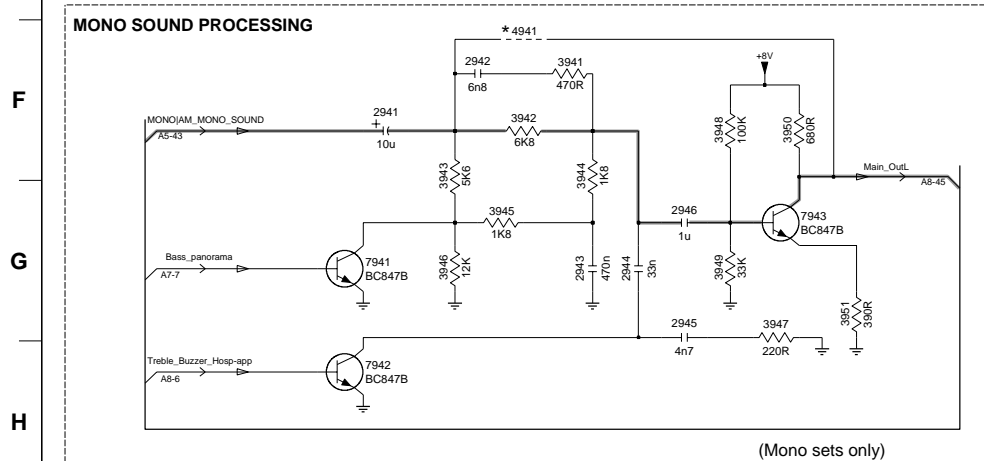
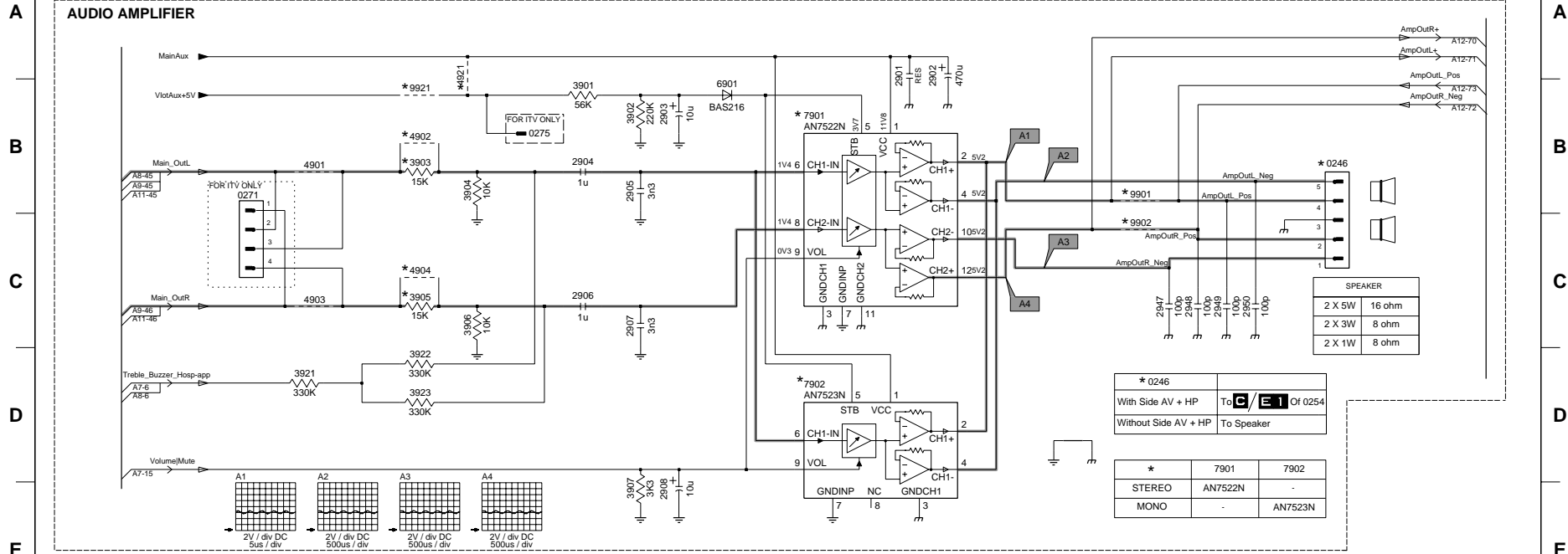


Item	Description	217 Mono, 10 page txt	217 Stereo, 1 page txt	217 Stereo, 1 page txt	217 Mono, 10 page txt	217 Mono, 10 page txt	217 Mono, 10 page txt	217 Mono, 1 page txt	217 Mono, 1 page txt	217 Mono, 1 page txt	217 Mono, 1 page txt	217 Mono, 1 page txt	217 Mono, 1 page txt	217 Mono, 1 page txt	217 Mono, 1 page txt	217 Mono, 1 page txt	217 Mono, 1 page txt	217 Mono, 1 page txt	217 Mono, 1 page txt	217 Mono, 1 page txt	217 Mono, 1 page txt	217 Mono, 1 page txt	217 Mono, 1 page txt	
0217	SP Male	X	X	X	X	X	X	X	X	X	X	X	X	X	X	X	X	X	X	X	X	X	X	X
0240	1P Male																							
1560	Crystal 12MHz	X	X	X	X	X	X	X	X	X	X	X	X	X	X	X	X	X	X	X	X	X	X	X
3601	1/6W 8K2																							
3609	1K	X	X	X																				
3610	8K2	X	X	X																				
3614	4K7				X	X	X	X	X	X	X	X	X	X	X	X	X	X	X	X	X	X	X	X
3615	10K				X	X	X	X	X	X	X	X	X	X	X	X	X	X	X	X	X	X	X	X
3617	4K7				X	X	X	X	X	X	X	X	X	X	X	X	X	X	X	X	X	X	X	X
3619	8K2				X	X	X	X	X	X	X	X	X	X	X	X	X	X	X	X	X	X	X	X
3633	1R																							
3635	100R				X	X																		
3635	Wire																							
4601	Jumper																							
4602	Jumper																							
4603	Jumper																							
4604	Jumper																							
4618	Jumper																							
9647	Wire																							
9692	Wire				X	X	X	X	X	X	X	X	X	X	X	X	X	X	X	X	X	X	X	X
9693	Wire				X	X	X	X	X	X	X	X	X	X	X	X	X	X	X	X	X	X	X	X
9694	Wire				X	X	X	X	X	X	X	X	X	X	X	X	X	X	X	X	X	X	X	X
9696	Wire	X	X	X	X	X	X	X																



Large Signal Panel: Audio Amplifier + Mono Sound Processing

**A8 AUDIO\_AMPLIFIER + MONO\_SOUND\_PROCESSING**



Diversity Table A8

Item	Description	1	2	3	4	5	6	7	8	9	10	11
0246	SP Male	X	X	X	X	X	X	X	X	X	X	X
1831	Crystal 18.432MHz	X	X	X	X	X	X	X	X	X	X	X
2904	1uF 16V	X	X	X	X	X	X	X	X	X	X	X
2904	470pF 16V	X	X	X	X	X	X	X	X	X	X	X
2906	470pF 16V	X	X	X	X	X	X	X	X	X	X	X
2907	1nF 50V	X	X	X	X	X	X	X	X	X	X	X
2941	1uF 50V	X	X	X	X	X	X	X	X	X	X	X
2941	500 50V	X	X	X	X	X	X	X	X	X	X	X
2942	33pF 50V	X	X	X	X	X	X	X	X	X	X	X
2943	100nF 16V	X	X	X	X	X	X	X	X	X	X	X
2944	47nF 50V	X	X	X	X	X	X	X	X	X	X	X
2945	100pF 50V	X	X	X	X	X	X	X	X	X	X	X
2946	1uF 16V	X	X	X	X	X	X	X	X	X	X	X
3903	3K3	X	X	X	X	X	X	X	X	X	X	X
3903	392	X	X	X	X	X	X	X	X	X	X	X
3906	10K	X	X	X	X	X	X	X	X	X	X	X
3921	330K	X	X	X	X	X	X	X	X	X	X	X
3922	330K	X	X	X	X	X	X	X	X	X	X	X
3941	100R	X	X	X	X	X	X	X	X	X	X	X
3942	3K3	X	X	X	X	X	X	X	X	X	X	X
3943	2K7	X	X	X	X	X	X	X	X	X	X	X
3944	2K7	X	X	X	X	X	X	X	X	X	X	X

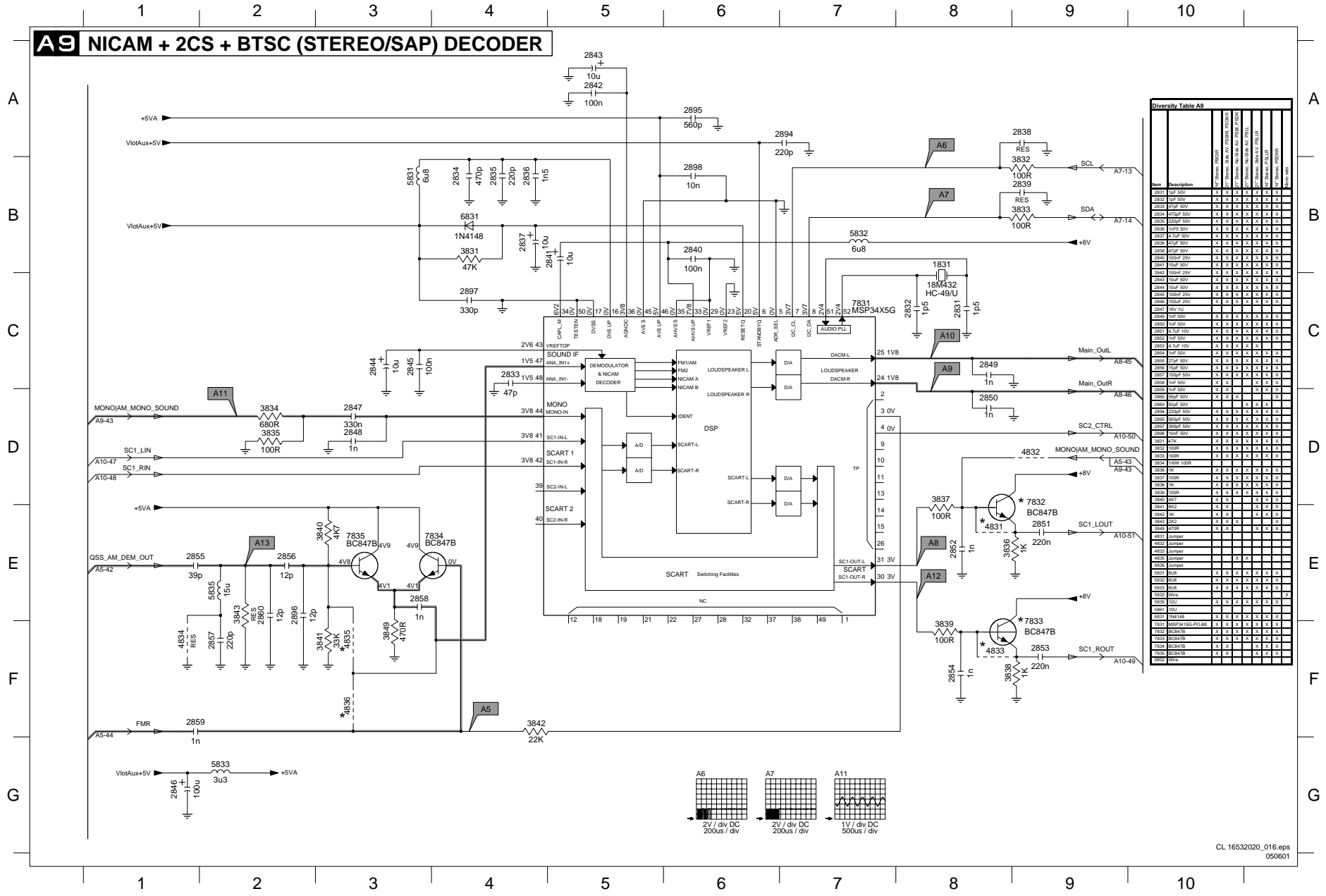
Diversity Table A8

Item	Description	1	2	3	4	5	6	7	8	9	10	11
3945	100R	X	X	X	X	X	X	X	X	X	X	X
3946	10K	X	X	X	X	X	X	X	X	X	X	X
3947	100R	X	X	X	X	X	X	X	X	X	X	X
3948	47K	X	X	X	X	X	X	X	X	X	X	X
3949	10K	X	X	X	X	X	X	X	X	X	X	X
3950	100R	X	X	X	X	X	X	X	X	X	X	X
3951	100R	X	X	X	X	X	X	X	X	X	X	X
4901	Jumper	X	X	X	X	X	X	X	X	X	X	X
4902	Jumper	X	X	X	X	X	X	X	X	X	X	X
4903	Jumper	X	X	X	X	X	X	X	X	X	X	X
4904	Jumper	X	X	X	X	X	X	X	X	X	X	X
4921	Jumper	X	X	X	X	X	X	X	X	X	X	X
7901	AN7522N	X	X	X	X	X	X	X	X	X	X	X
7902	AN7523N	X	X	X	X	X	X	X	X	X	X	X
7941	BC847B	X	X	X	X	X	X	X	X	X	X	X
7942	BC847B	X	X	X	X	X	X	X	X	X	X	X
7943	BC847B	X	X	X	X	X	X	X	X	X	X	X
9901	Wire	X	X	X	X	X	X	X	X	X	X	X
9902	Wire	X	X	X	X	X	X	X	X	X	X	X
9913	Wire	X	X	X	X	X	X	X	X	X	X	X
9914	Wire	X	X	X	X	X	X	X	X	X	X	X
9921	Wire	X	X	X	X	X	X	X	X	X	X	X

- 0246 B10
- 0271 B2
- 0275 B4
- 2901 A7
- 2902 A7
- 2903 B5
- 2904 B4
- 2905 B5
- 2906 C4
- 2907 C4
- 2908 E5
- 2941 F3
- 2942 F3
- 2943 G4
- 2944 G4
- 2945 G4
- 2946 G4
- 2947 C9
- 2948 C9
- 2949 C9
- 2950 C9
- 3901 B4
- 3902 B5
- 3903 B3
- 3904 B4
- 3905 C3
- 3906 C4
- 3907 E5
- 3921 D2
- 3922 D3
- 3923 D3
- 3941 F4
- 3942 F3
- 3943 F3
- 3944 F4
- 3945 G3
- 3946 G3
- 3947 G5
- 3948 F5
- 3949 G5
- 3950 F5
- 3951 G5
- 4901 B2
- 4902 B3
- 4903 C2
- 4904 C3
- 4921 A4
- 4941 F3
- 6901 B6
- 7901 B6
- 7902 D6
- 7941 G2
- 7942 H2
- 7943 G5
- 9901 B9
- 9902 C9
- 9921 B3

### Large Signal Panel: NICAM + 2CS + BTSC (Stereo / SAP Decoder)

## A9 NICAM + 2CS + BTSC (STEREO/SAP) DECODER

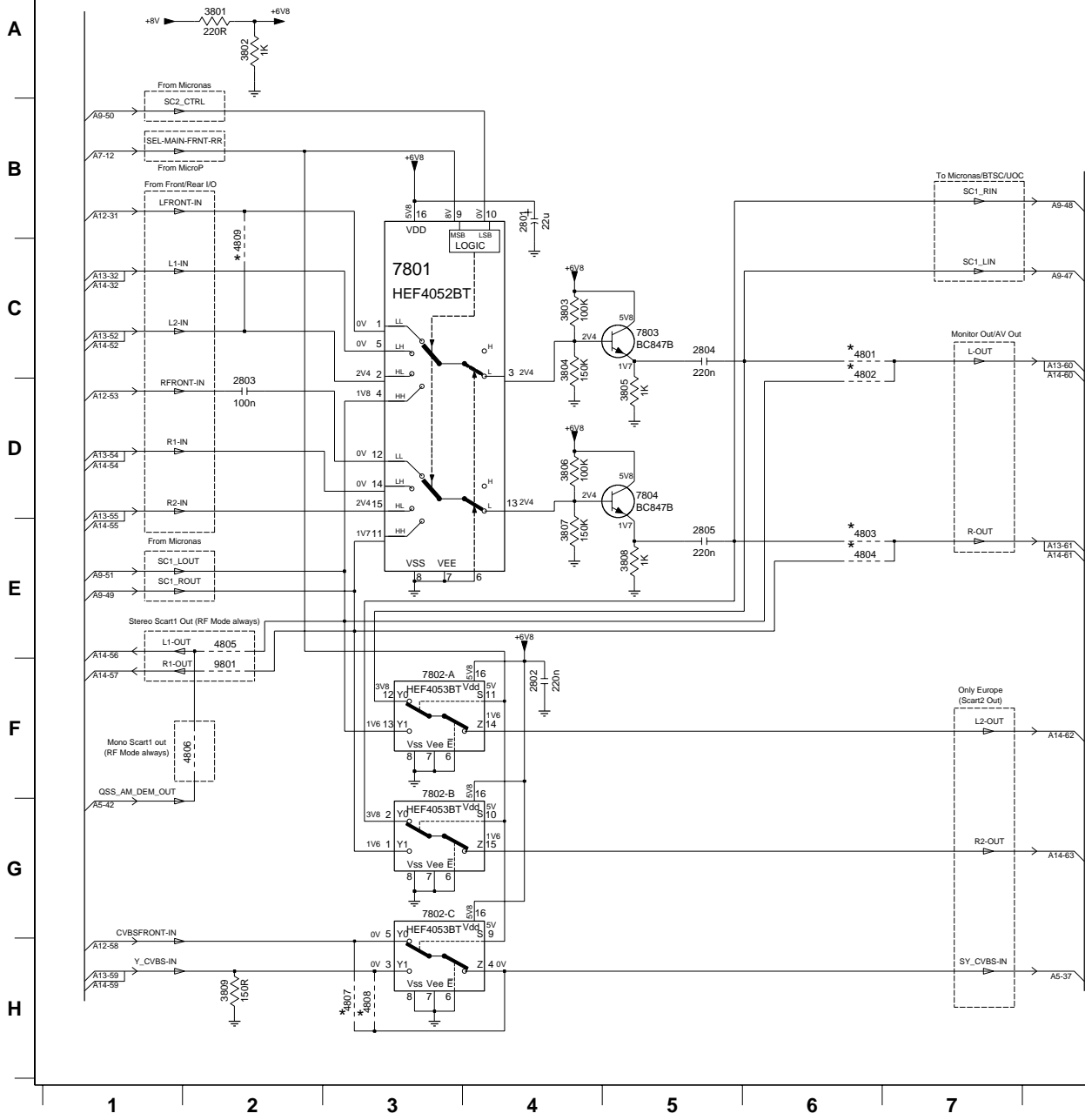


Diversity Table A9											
Rev	Description	1	2	3	4	5	6	7	8	9	10
2811	1st Rev	X	X	X	X	X	X	X	X	X	X
2812	2nd Rev	X	X	X	X	X	X	X	X	X	X
2813	3rd Rev	X	X	X	X	X	X	X	X	X	X
2814	4th Rev	X	X	X	X	X	X	X	X	X	X
2815	5th Rev	X	X	X	X	X	X	X	X	X	X
2816	6th Rev	X	X	X	X	X	X	X	X	X	X
2817	7th Rev	X	X	X	X	X	X	X	X	X	X
2818	8th Rev	X	X	X	X	X	X	X	X	X	X
2819	9th Rev	X	X	X	X	X	X	X	X	X	X
2820	10th Rev	X	X	X	X	X	X	X	X	X	X
2821	11th Rev	X	X	X	X	X	X	X	X	X	X
2822	12th Rev	X	X	X	X	X	X	X	X	X	X
2823	13th Rev	X	X	X	X	X	X	X	X	X	X
2824	14th Rev	X	X	X	X	X	X	X	X	X	X
2825	15th Rev	X	X	X	X	X	X	X	X	X	X
2826	16th Rev	X	X	X	X	X	X	X	X	X	X
2827	17th Rev	X	X	X	X	X	X	X	X	X	X
2828	18th Rev	X	X	X	X	X	X	X	X	X	X
2829	19th Rev	X	X	X	X	X	X	X	X	X	X
2830	20th Rev	X	X	X	X	X	X	X	X	X	X
2831	21st Rev	X	X	X	X	X	X	X	X	X	X
2832	22nd Rev	X	X	X	X	X	X	X	X	X	X
2833	23rd Rev	X	X	X	X	X	X	X	X	X	X
2834	24th Rev	X	X	X	X	X	X	X	X	X	X
2835	25th Rev	X	X	X	X	X	X	X	X	X	X
2836	26th Rev	X	X	X	X	X	X	X	X	X	X
2837	27th Rev	X	X	X	X	X	X	X	X	X	X
2838	28th Rev	X	X	X	X	X	X	X	X	X	X
2839	29th Rev	X	X	X	X	X	X	X	X	X	X
2840	30th Rev	X	X	X	X	X	X	X	X	X	X
2841	31st Rev	X	X	X	X	X	X	X	X	X	X
2842	32nd Rev	X	X	X	X	X	X	X	X	X	X
2843	33rd Rev	X	X	X	X	X	X	X	X	X	X
2844	34th Rev	X	X	X	X	X	X	X	X	X	X
2845	35th Rev	X	X	X	X	X	X	X	X	X	X
2846	36th Rev	X	X	X	X	X	X	X	X	X	X
2847	37th Rev	X	X	X	X	X	X	X	X	X	X
2848	38th Rev	X	X	X	X	X	X	X	X	X	X
2849	39th Rev	X	X	X	X	X	X	X	X	X	X
2850	40th Rev	X	X	X	X	X	X	X	X	X	X
2851	41st Rev	X	X	X	X	X	X	X	X	X	X
2852	42nd Rev	X	X	X	X	X	X	X	X	X	X
2853	43rd Rev	X	X	X	X	X	X	X	X	X	X
2854	44th Rev	X	X	X	X	X	X	X	X	X	X
2855	45th Rev	X	X	X	X	X	X	X	X	X	X
2856	46th Rev	X	X	X	X	X	X	X	X	X	X
2857	47th Rev	X	X	X	X	X	X	X	X	X	X
2858	48th Rev	X	X	X	X	X	X	X	X	X	X
2859	49th Rev	X	X	X	X	X	X	X	X	X	X
2860	50th Rev	X	X	X	X	X	X	X	X	X	X
2861	51st Rev	X	X	X	X	X	X	X	X	X	X
2862	52nd Rev	X	X	X	X	X	X	X	X	X	X
2863	53rd Rev	X	X	X	X	X	X	X	X	X	X
2864	54th Rev	X	X	X	X	X	X	X	X	X	X
2865	55th Rev	X	X	X	X	X	X	X	X	X	X
2866	56th Rev	X	X	X	X	X	X	X	X	X	X
2867	57th Rev	X	X	X	X	X	X	X	X	X	X
2868	58th Rev	X	X	X	X	X	X	X	X	X	X
2869	59th Rev	X	X	X	X	X	X	X	X	X	X
2870	60th Rev	X	X	X	X	X	X	X	X	X	X
2871	61st Rev	X	X	X	X	X	X	X	X	X	X
2872	62nd Rev	X	X	X	X	X	X	X	X	X	X
2873	63rd Rev	X	X	X	X	X	X	X	X	X	X
2874	64th Rev	X	X	X	X	X	X	X	X	X	X
2875	65th Rev	X	X	X	X	X	X	X	X	X	X
2876	66th Rev	X	X	X	X	X	X	X	X	X	X
2877	67th Rev	X	X	X	X	X	X	X	X	X	X
2878	68th Rev	X	X	X	X	X	X	X	X	X	X
2879	69th Rev	X	X	X	X	X	X	X	X	X	X
2880	70th Rev	X	X	X	X	X	X	X	X	X	X
2881	71st Rev	X	X	X	X	X	X	X	X	X	X
2882	72nd Rev	X	X	X	X	X	X	X	X	X	X
2883	73rd Rev	X	X	X	X	X	X	X	X	X	X
2884	74th Rev	X	X	X	X	X	X	X	X	X	X
2885	75th Rev	X	X	X	X	X	X	X	X	X	X
2886	76th Rev	X	X	X	X	X	X	X	X	X	X
2887	77th Rev	X	X	X	X	X	X	X	X	X	X
2888	78th Rev	X	X	X	X	X	X	X	X	X	X
2889	79th Rev	X	X	X	X	X	X	X	X	X	X
2890	80th Rev	X	X	X	X	X	X	X	X	X	X
2891	81st Rev	X	X	X	X	X	X	X	X	X	X
2892	82nd Rev	X	X	X	X	X	X	X	X	X	X
2893	83rd Rev	X	X	X	X	X	X	X	X	X	X
2894	84th Rev	X	X	X	X	X	X	X	X	X	X
2895	85th Rev	X	X	X	X	X	X	X	X	X	X
2896	86th Rev	X	X	X	X	X	X	X	X	X	X
2897	87th Rev	X	X	X	X	X	X	X	X	X	X
2898	88th Rev	X	X	X	X	X	X	X	X	X	X
2899	89th Rev	X	X	X	X	X	X	X	X	X	X
2900	90th Rev	X	X	X	X	X	X	X	X	X	X
2901	91st Rev	X	X	X	X	X	X	X	X	X	X
2902	92nd Rev	X	X	X	X	X	X	X	X	X	X
2903	93rd Rev	X	X	X	X	X	X	X	X	X	X
2904	94th Rev	X	X	X	X	X	X	X	X	X	X
2905	95th Rev	X	X	X	X	X	X	X	X	X	X
2906	96th Rev	X	X	X	X	X	X	X	X	X	X
2907	97th Rev	X	X	X	X	X	X	X	X	X	X
2908	98th Rev	X	X	X	X	X	X	X	X	X	X
2909	99th Rev	X	X	X	X	X	X	X	X	X	X
2910	100th Rev	X	X	X	X	X	X	X	X	X	X

- 1931 B8
- 2831 C8
- 2832 C8
- 2833 C4
- 2834 B4
- 2835 B4
- 2836 B4
- 2837 B4
- 2838 A9
- 2839 B9
- 2840 B6
- 2841 B5
- 2842 A5
- 2843 A5
- 2844 C3
- 2845 C3
- 2846 G1
- 2847 D3
- 2848 D3
- 2849 C8
- 2850 D8
- 2851 E9
- 2852 E8
- 2853 F10
- 2854 F8
- 2855 E1
- 2856 E2
- 2857 F2
- 2858 E3
- 2859 F1
- 2860 E2
- 2861 A7
- 2862 A6
- 2863 B9
- 2864 B9
- 2865 B9
- 2866 B9
- 2867 B9
- 2868 B9
- 2869 B9
- 2870 B9
- 2871 B9
- 2872 B9
- 2873 B9
- 2874 B9
- 2875 B9
- 2876 B9
- 2877 B9
- 2878 B9
- 2879 B9
- 2880 B9
- 2881 B9
- 2882 B9
- 2883 B9
- 2884 B9
- 2885 B9
- 2886 B9
- 2887 B9
- 2888 B9
- 2889 B9
- 2890 B9
- 2891 B9
- 2892 B9
- 2893 B9
- 2894 B9
- 2895 B9
- 2896 B9
- 2897 B9
- 2898 B9
- 2899 B9
- 2900 B9
- 2901 B9
- 2902 B9
- 2903 B9
- 2904 B9
- 2905 B9
- 2906 B9
- 2907 B9
- 2908 B9
- 2909 B9
- 2910 B9

Large Signal Panel: Audio / Video Source Switching

**A 1** AUDIO/VIDEO SOURCE SWITCHING



EU	Output			HEF Logic	
	Scart1	Scart2	Monitor	SEL-MAIN-FRNT-RR	SC2_CTRL
Front In	RF Mode	Front Mode	Front Mode	0	0
Scart 1 in	RF Mode	Scart1 Mode	Scart1 Mode	0	1
Scart 2 in	RF Mode	RF Mode	Scart2 Mode	1	0
R.F. In	RF Mode	RF Mode	RF Mode	1	1

Diversity Table A10

Item	Description	21" Stereo	14" Stereo	14" Mono - Headphone	17" Mono - Headphone	21" Mono - Headphone	14" Mono - No-Headphone	20" Mono - No-Headphone	21" Mono - No-Headphone	30" Mono - No-Headphone	51" Mono - No-Headphone	51" Mono - No-Headphone	51" Mono - No-Headphone
2801	22uF 50V	X	X										
2802	220nF 25V	X	X										
2803	4.7uF 10V	X	X										
2804	4.7uF 10V	X	X										
2805	4.7uF 10V	X	X										
2806	10V 2U2												
3801	220R	X	X										
3802	1K	X	X										
3803	100K	X	X										
3804	82K	X	X										
3805	1K	X	X										
3806	100K	X	X										
3807	82K	X	X										
3808	1K	X	X										
3809	150R	X											
4801	Jumper	X	X	X	X	X	X	X	X	X	X	X	X
4802	Jumper												
4803	Jumper	X	X	X	X	X	X	X	X	X	X	X	X
4804	Jumper												
4805	Jumper	X	X										
4806	Jumper			X	X	X	X	X	X	X	X	X	X
4807	Jumper			X	X	X	X	X	X	X	X	X	X
4808	Jumper												
4809	Jumper												
7801	HEF4052BT	X	X										
7802	HEF4053BT	X											
7803	BC847B	X	X										
7804	BC847B	X	X										
9801	Wire	X	X										
9819	Wire												

### Large Signal Panel: Front I/O + Front Control + Headphone

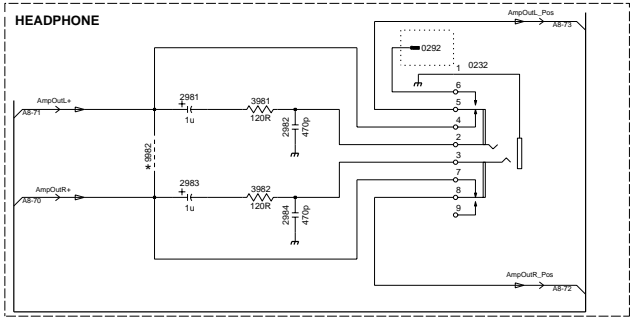
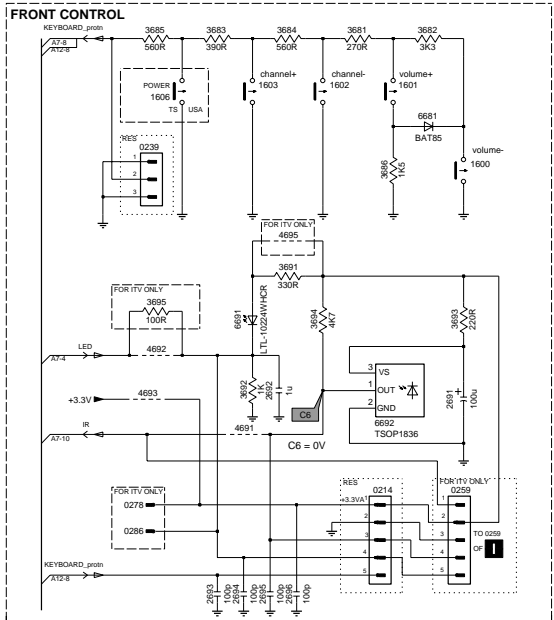
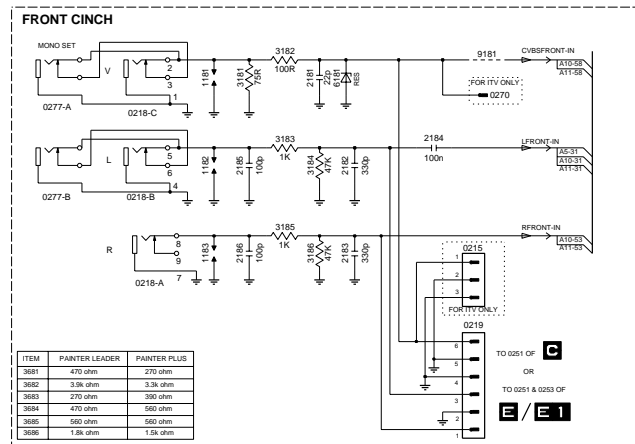
0214 D9 0218-A C2 0218-C A2 0232 E5 0259 D10 0277-A A1 0278 D7 0292 E4 1182 B2 1600 B10 1602 A9 1606 A7 2182 B3 2184 B4 2186 C3 2188 B3 2185 B3 2196 C3 2198 C10 2692 C6 2694 E8 2696 E8 2982 F3 2984 F3 3182 A3 3184 B3 3196 C3 3682 A10 3684 A8 3686 B9 3693 C6 3694 C9 3981 E3 4691 D8 4693 C7 4695 B8 6681 A10 6692 D9 9982 F2

0215 C4 0218-B B2 0219 C4 0239 A7 0270 A5 0277-B B1 0286 E7 1181 A2 1183 C2 1601 A9 1603 A8 2181 A3 2183 C3 2691 C10 2695 E8 2695 E8 2981 E2 2983 F2 3181 A3 3183 B3 3185 B3 3681 A9 3683 A8 3685 A7 3691 B8 3693 C10 3695 C7

1 2 3 4 5 6 7 8 9 10

#### A1 2 FRONT IO + FRONT CONTROL + HEADPHONE

A  
B  
C  
D  
E  
F  
G

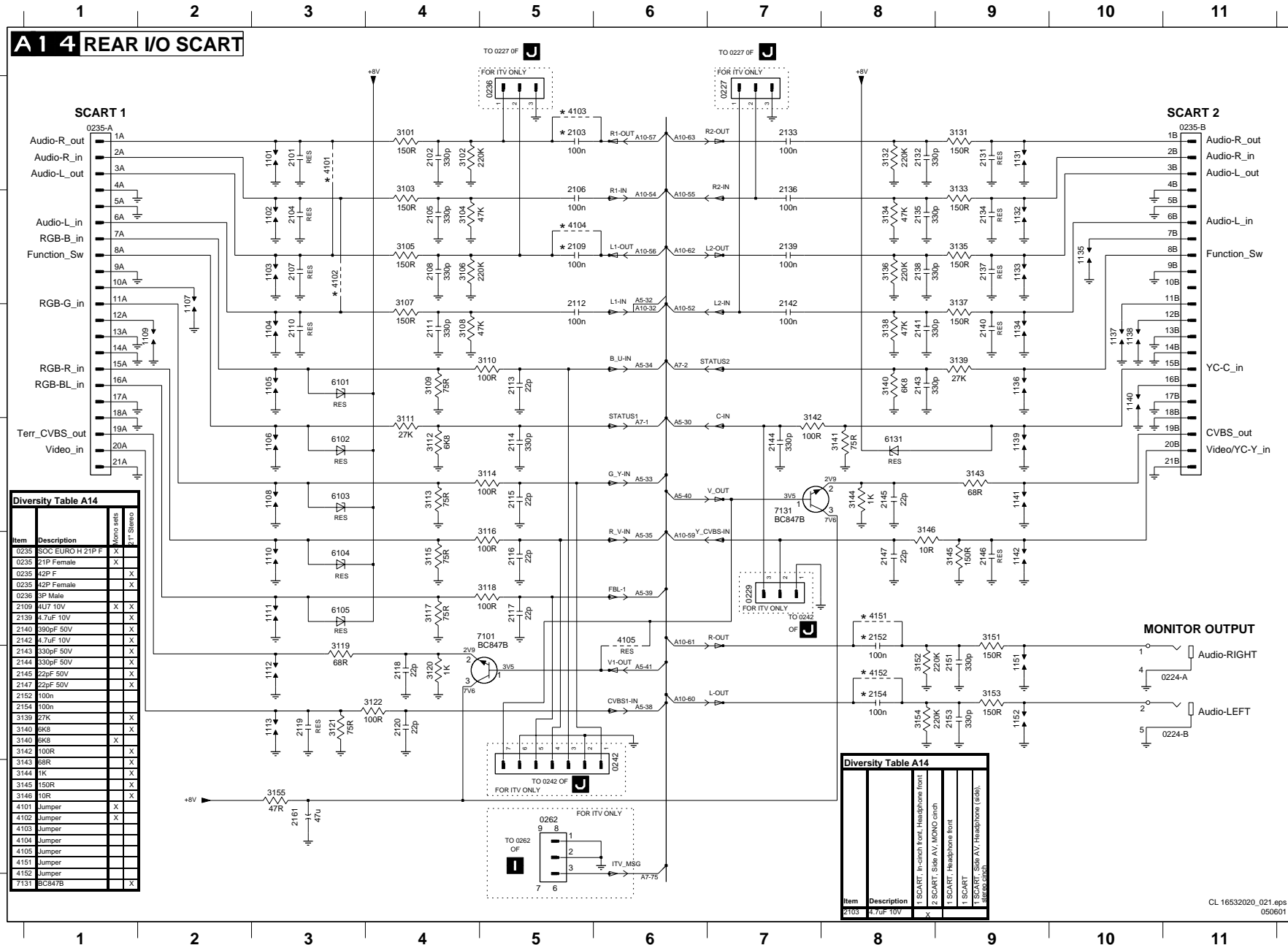


1 2 3 4 5 6 7 8 9 10

#### Diversity Table A12

Item	Description	4" Mono, 1&10 page bt, Headphone	4" Mono, 1&10 page bt, no side av	4" Mono, 1&10 page bt, no side av	4" Mono, no bt, headphone	4" Mono, no bt, headphone	4" Stereo, no side av	4" Stereo, 10 page bt, side av	4" Stereo, side av	5" Mono, 1page bt	5" Mono, 1page bt, headphone	5" Mono, 1page bt, no headphone	5" Mono, 10 page bt, no headphone	5" Mono, 10 page bt, no headphone	5" Mono, no bt	5" Mono, no bt	5" Mono, no bt	
0215	CON 3P																	
0218	SOC CINCH H 2P F	X	X	X	X													
0218	SOC CINCH H 3P F						X	X										
0219	6P Male																	
0232	SOC PHONE H 1P F	X	X	X	X	X	X	X	X	X	X	X	X	X	X	X	X	X
0259	6P Male	X	X	X	X	X	X	X	X	X	X	X	X	X	X	X	X	X
1606	SWI TACT																	
2181	22F 50V	X	X	X	X	X	X	X	X	X	X	X	X	X	X	X	X	X
2182	390pF 50V	X	X	X	X	X	X	X	X	X	X	X	X	X	X	X	X	X
2183	390pF 50V																	
2184	4.7uF 10V	X	X	X	X	X	X	X	X	X	X	X	X	X	X	X	X	X
2185	390pF 50V	X	X	X	X	X	X	X	X	X	X	X	X	X	X	X	X	X
2186	390pF 50V																	
2981	10uF 50V	X	X	X	X	X	X	X	X	X	X	X	X	X	X	X	X	X
2982	470pF 50V	X	X	X	X	X	X	X	X	X	X	X	X	X	X	X	X	X
2983	10uF 50V	X	X	X	X	X	X	X	X	X	X	X	X	X	X	X	X	X
2984	470pF 50V	X	X	X	X	X	X	X	X	X	X	X	X	X	X	X	X	X
3181	75R	X	X	X	X	X	X	X	X	X	X	X	X	X	X	X	X	X
3182	100R	X	X	X	X	X	X	X	X	X	X	X	X	X	X	X	X	X
3183	150R	X	X	X	X	X	X	X	X	X	X	X	X	X	X	X	X	X
3184	47K	X	X	X	X	X	X	X	X	X	X	X	X	X	X	X	X	X
3185	150R																	
3186	47K																	
3681	390R	X	X	X	X	X	X	X	X	X	X	X	X	X	X	X	X	X
3681	470R																	
3682	3K3	X	X	X	X	X	X	X	X	X	X	X	X	X	X	X	X	X
3682	3K9				X	X												
3683	270R				X	X												
3683	390R	X	X	X	X	X	X	X	X	X	X	X	X	X	X	X	X	X
3684	470R				X	X												
3684	560R	X	X	X	X	X	X	X	X	X	X	X	X	X	X	X	X	X
3685	1K5	X	X	X	X	X	X	X	X	X	X	X	X	X	X	X	X	X
3686	1K8				X	X												
3692	1K	X	X	X	X	X	X	X	X	X	X	X	X	X	X	X	X	X
3695	530R																	
3981	120R	X	X	X	X	X	X	X	X	X	X	X	X	X	X	X	X	X
3982	120R	X	X	X	X	X	X	X	X	X	X	X	X	X	X	X	X	X
4692	Jumper	X	X	X	X	X	X	X	X	X	X	X	X	X	X	X	X	X
4693	Jumper	X	X	X	X	X	X	X	X	X	X	X	X	X	X	X	X	X
9181	Wire	X	X	X	X	X	X	X	X	X	X	X	X	X	X	X	X	X
9982	Wire	X	X	X	X	X	X	X	X	X	X	X	X	X	X	X	X	X

Large Signal Panel: Rear I/O SCART



**Diversity Table A14**

Item	Description	Mono sets	2T Stereo
0235	SOC EURO H 21P F	X	
0235	21P Female	X	
0235	42P F		X
0235	42P Female		X
0236	3P Male		X
2109	47 10V	X	X
2130	4.7uF 10V	X	X
2140	330pF 50V	X	X
2142	4.7uF 10V	X	X
2143	330pF 50V	X	X
2144	330pF 50V	X	X
2145	22pF 50V	X	X
2147	22pF 50V	X	X
2152	100n		X
2154	100n		X
3139	27K	X	
3140	8K	X	X
3140	8K	X	X
3142	100R	X	X
3143	88R	X	X
3144	1K	X	X
3145	150R	X	X
3146	10R	X	X
4101	Jumper	X	
4102	Jumper	X	
4103	Jumper	X	
4104	Jumper	X	
4105	Jumper	X	
4151	Jumper	X	
4152	Jumper	X	
7131	BC847B	X	

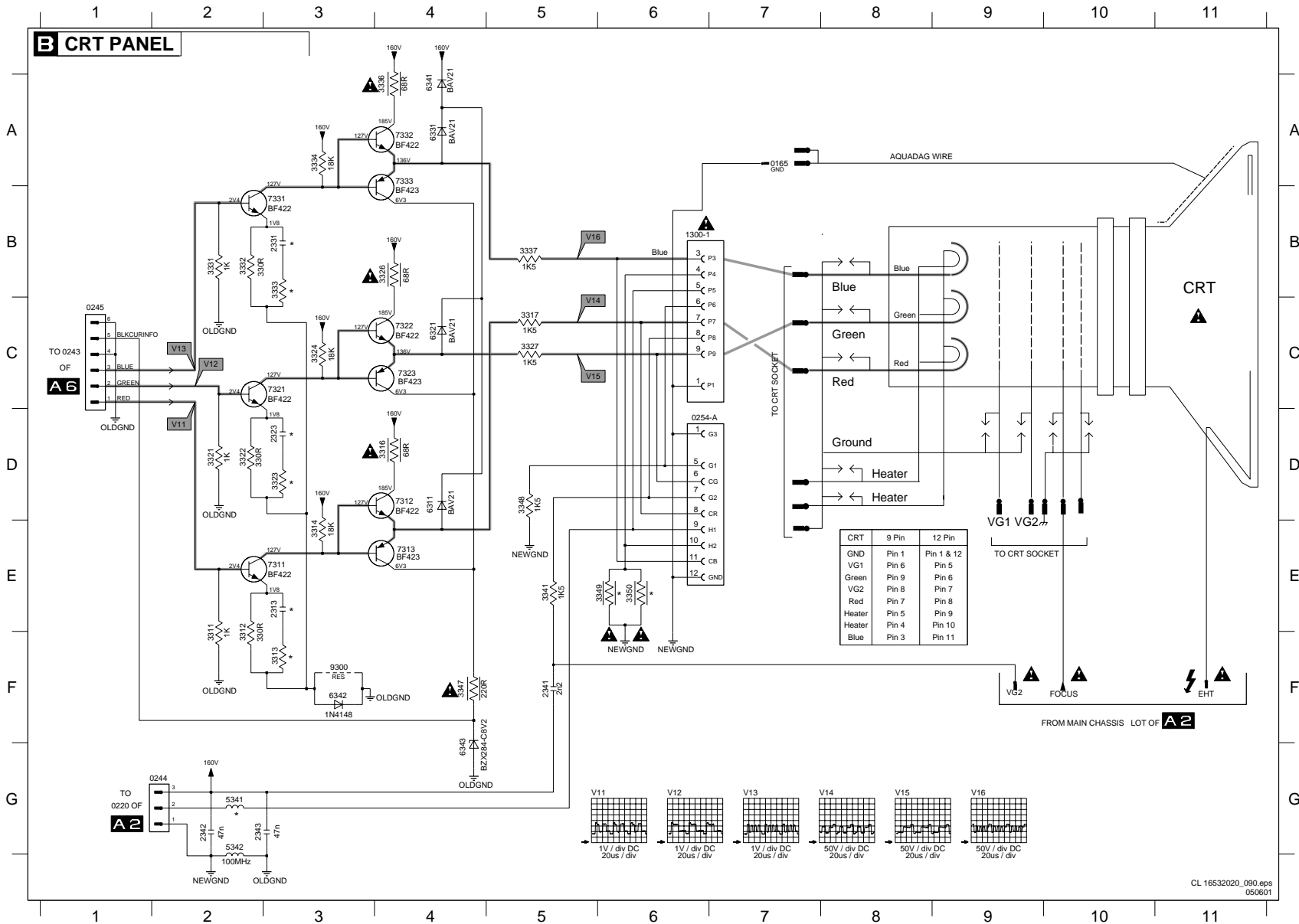
**Diversity Table A14**

Item	Description
1	SCART, In-catch front, Headphone front
2	SCART, Side AV, MONO catch
3	SCART, Headphone front
4	SCART, Side AV, Headphone (left)
5	SCART, Side AV, Headphone (right)
6	SCART, Side AV, Headphone (center)
7	SCART, Side AV, Headphone (surround)
8	SCART, Side AV, Headphone (subwoofer)
9	SCART, Side AV, Headphone (bass)
10	SCART, Side AV, Headphone (treble)
11	SCART, Side AV, Headphone (midrange)
12	SCART, Side AV, Headphone (high)
13	SCART, Side AV, Headphone (low)
14	SCART, Side AV, Headphone (mid)
15	SCART, Side AV, Headphone (high)
16	SCART, Side AV, Headphone (low)
17	SCART, Side AV, Headphone (mid)
18	SCART, Side AV, Headphone (high)
19	SCART, Side AV, Headphone (low)
20	SCART, Side AV, Headphone (mid)
21	SCART, Side AV, Headphone (high)
22	SCART, Side AV, Headphone (low)
23	SCART, Side AV, Headphone (mid)
24	SCART, Side AV, Headphone (high)
25	SCART, Side AV, Headphone (low)
26	SCART, Side AV, Headphone (mid)
27	SCART, Side AV, Headphone (high)
28	SCART, Side AV, Headphone (low)
29	SCART, Side AV, Headphone (mid)
30	SCART, Side AV, Headphone (high)
31	SCART, Side AV, Headphone (low)
32	SCART, Side AV, Headphone (mid)
33	SCART, Side AV, Headphone (high)
34	SCART, Side AV, Headphone (low)
35	SCART, Side AV, Headphone (mid)
36	SCART, Side AV, Headphone (high)
37	SCART, Side AV, Headphone (low)
38	SCART, Side AV, Headphone (mid)
39	SCART, Side AV, Headphone (high)
40	SCART, Side AV, Headphone (low)
41	SCART, Side AV, Headphone (mid)
42	SCART, Side AV, Headphone (high)
43	SCART, Side AV, Headphone (low)
44	SCART, Side AV, Headphone (mid)
45	SCART, Side AV, Headphone (high)
46	SCART, Side AV, Headphone (low)
47	SCART, Side AV, Headphone (mid)
48	SCART, Side AV, Headphone (high)
49	SCART, Side AV, Headphone (low)
50	SCART, Side AV, Headphone (mid)
51	SCART, Side AV, Headphone (high)
52	SCART, Side AV, Headphone (low)
53	SCART, Side AV, Headphone (mid)
54	SCART, Side AV, Headphone (high)
55	SCART, Side AV, Headphone (low)
56	SCART, Side AV, Headphone (mid)
57	SCART, Side AV, Headphone (high)
58	SCART, Side AV, Headphone (low)
59	SCART, Side AV, Headphone (mid)
60	SCART, Side AV, Headphone (high)
61	SCART, Side AV, Headphone (low)
62	SCART, Side AV, Headphone (mid)
63	SCART, Side AV, Headphone (high)
64	SCART, Side AV, Headphone (low)
65	SCART, Side AV, Headphone (mid)
66	SCART, Side AV, Headphone (high)
67	SCART, Side AV, Headphone (low)
68	SCART, Side AV, Headphone (mid)
69	SCART, Side AV, Headphone (high)
70	SCART, Side AV, Headphone (low)
71	SCART, Side AV, Headphone (mid)
72	SCART, Side AV, Headphone (high)
73	SCART, Side AV, Headphone (low)
74	SCART, Side AV, Headphone (mid)
75	SCART, Side AV, Headphone (high)
76	SCART, Side AV, Headphone (low)
77	SCART, Side AV, Headphone (mid)
78	SCART, Side AV, Headphone (high)
79	SCART, Side AV, Headphone (low)
80	SCART, Side AV, Headphone (mid)
81	SCART, Side AV, Headphone (high)
82	SCART, Side AV, Headphone (low)
83	SCART, Side AV, Headphone (mid)
84	SCART, Side AV, Headphone (high)
85	SCART, Side AV, Headphone (low)
86	SCART, Side AV, Headphone (mid)
87	SCART, Side AV, Headphone (high)
88	SCART, Side AV, Headphone (low)
89	SCART, Side AV, Headphone (mid)
90	SCART, Side AV, Headphone (high)
91	SCART, Side AV, Headphone (low)
92	SCART, Side AV, Headphone (mid)
93	SCART, Side AV, Headphone (high)
94	SCART, Side AV, Headphone (low)
95	SCART, Side AV, Headphone (mid)
96	SCART, Side AV, Headphone (high)
97	SCART, Side AV, Headphone (low)
98	SCART, Side AV, Headphone (mid)
99	SCART, Side AV, Headphone (high)
100	SCART, Side AV, Headphone (low)

- 0224-A F11 3117 E4
- 0224-B F11 3118 E5
- 0227 A7 3119 F3
- 0229 E7 3120 F4
- 0235-A A1 3121 F3
- 0235-B A11 3122 F4
- 0236 A5 3131 A9
- 0242 F6 3132 A8
- 0262 G5 3133 B9
- 1101 A3 3134 B8
- 1102 B3 3135 B9
- 1103 B3 3136 B8
- 1104 C3 3137 C9
- 1105 C3 3138 C8
- 1106 D3 3139 C9
- 1107 C2 3140 C8
- 1108 D3 3141 D8
- 1109 C2 3142 D7
- 1110 E3 3143 D9
- 1111 E3 3144 D8
- 1112 F3 3145 E9
- 1113 F3 3146 E8
- 1131 A9 3151 E9
- 1132 B9 3152 F8
- 1133 B9 3153 F9
- 1134 C9 3154 F8
- 1135 B10 3155 G3
- 1136 C9 4101 A3
- 1137 C10 4102 B3
- 1138 C10 4103 A5
- 1139 D9 4104 B5
- 1140 C10 4105 E6
- 1141 D9 4151 E8
- 1142 E9 4152 F8
- 1151 F9 6101 C3
- 1152 F9 6102 D3
- 2101 A3 6103 D3
- 2102 A4 6104 E3
- 2103 A5 6105 E3
- 2104 B3 6131 D8
- 2105 B4 7101 E5
- 2106 B5 7131 D7
- 2107 B3 3108 B4
- 2108 B4 3109 B5
- 2109 B5 3110 C3
- 2110 C3 3111 C4
- 2111 C4 3112 C5
- 2112 C5 3113 C5
- 2113 C5 3114 D5
- 2114 D5 3115 D5
- 2115 D5 3116 E5
- 2116 E5 3117 E5
- 2117 E5 3118 F4
- 2118 F4 3119 F3
- 2119 F3 3120 F4
- 2120 F4 3121 A9
- 2121 A9 3122 A8
- 2122 A8 3123 A7
- 2123 A7 3124 B9
- 2124 B9 3125 B8
- 2125 B8 3126 B7
- 2126 B7 3127 B9
- 2127 B9 3128 B8
- 2128 B8 3129 B7
- 2129 B7 3130 C8
- 2130 C8 3131 A9
- 2131 A9 3132 A8
- 2132 A8 3133 A7
- 2133 A7 3134 B9
- 2134 B9 3135 B8
- 2135 B8 3136 B7
- 2136 B7 3137 B9
- 2137 B9 3138 B8
- 2138 B8 3139 B7
- 2139 B7 3140 C8
- 2140 C8 3141 D7
- 2141 D7 3142 D8
- 2142 D8 3143 D9
- 2143 D9 3144 D8
- 2144 D8 3145 E9
- 2145 E9 3146 E8
- 2146 E8 3147 E9
- 2147 E9 3148 F8
- 2148 F8 3149 F9
- 2149 F9 3150 F8
- 2150 F8 3151 F8
- 2151 F8 3152 F9
- 2152 F9 3153 F8
- 2153 F8 3154 F9
- 2154 F9 3155 F8
- 2155 F8 3156 G3
- 3101 A3 3102 A4
- 3102 A4 3103 B4
- 3103 B4 3104 B4
- 3104 B4 3105 B4
- 3105 B4 3106 B4
- 3106 B4 3107 C4
- 3107 C4 3108 C4
- 3108 C4 3109 C4
- 3109 C4 3110 C5
- 3110 C5 3111 D4
- 3111 D4 3112 D4
- 3112 D4 3113 D4
- 3113 D4 3114 D5
- 3114 D5 3115 D5
- 3115 D5 3116 D5
- 3116 D5 3117 D5
- 3117 D5 3118 D5
- 3118 D5 3119 D5
- 3119 D5 3120 D5
- 3120 D5 3121 D5
- 3121 D5 3122 D5
- 3122 D5 3123 D5
- 3123 D5 3124 D5
- 3124 D5 3125 D5
- 3125 D5 3126 D5
- 3126 D5 3127 D5
- 3127 D5 3128 D5
- 3128 D5 3129 D5
- 3129 D5 3130 D5
- 3130 D5 3131 D5
- 3131 D5 3132 D5
- 3132 D5 3133 D5
- 3133 D5 3134 D5
- 3134 D5 3135 D5
- 3135 D5 3136 D5
- 3136 D5 3137 D5
- 3137 D5 3138 D5
- 3138 D5 3139 D5
- 3139 D5 3140 D5
- 3140 D5 3141 D5
- 3141 D5 3142 D5
- 3142 D5 3143 D5
- 3143 D5 3144 D5
- 3144 D5 3145 D5
- 3145 D5 3146 D5
- 3146 D5 3147 D5
- 3147 D5 3148 D5
- 3148 D5 3149 D5
- 3149 D5 3150 D5
- 3150 D5 3151 D5
- 3151 D5 3152 D5
- 3152 D5 3153 D5
- 3153 D5 3154 D5
- 3154 D5 3155 D5
- 3155 D5 3156 D5

**CRT Panel**

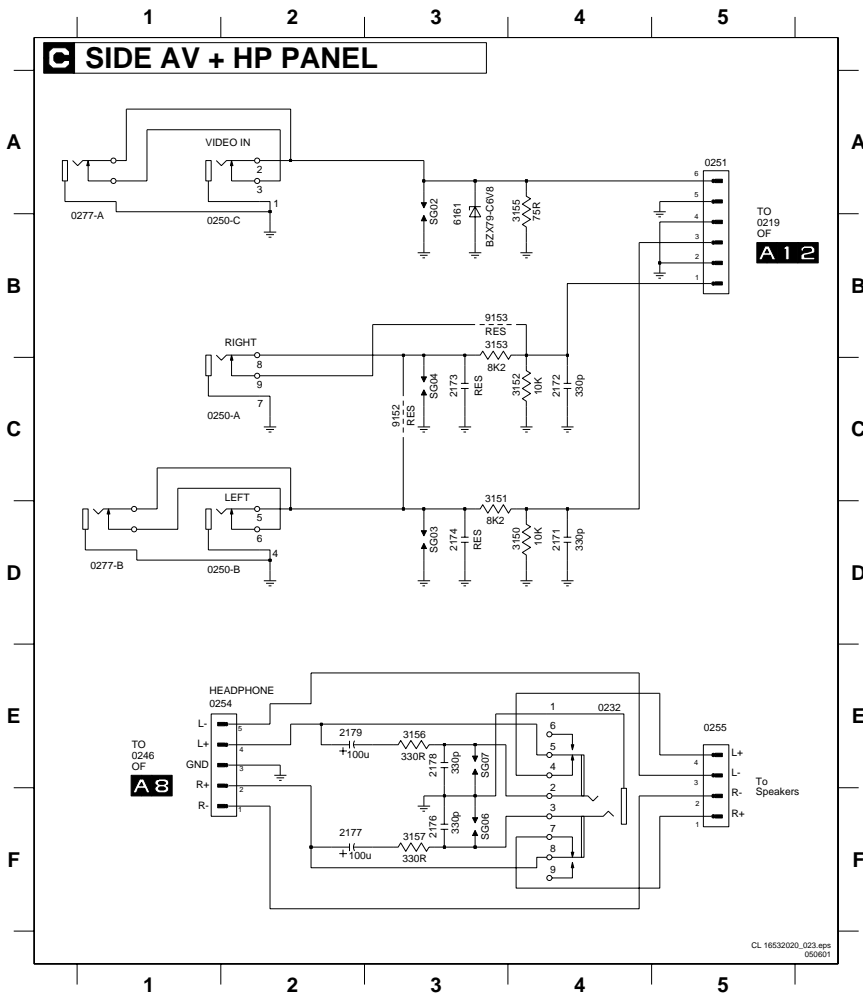
VG2 F9 0244 G2 0254-A D7 2313 E3 2331 B3 2342 G2 3311 F2 3313 F3 3316 D4 3321 D2 3323 D3 3326 B4 3331 B2 3333 B3 3336 A4 3341 E5 3348 D5 3350 E6 5342 G2 6321 C4 6341 A4 6343 G4 7312 D4 7321 C3 7323 C4 7332 A4 9300 F3  
 0165 A7 0245 C1 1300-1 B7 2323 D3 2341 F5 2343 G2 3312 F2 3314 E3 3317 C5 3322 D2 3324 C3 3327 C5 3332 B2 3334 A3 3337 B5 3347 F4 3349 E6 5341 G2 6311 D4 6331 A4 7311 E3 7313 E4 7322 C4 7331 B3 7333 A4



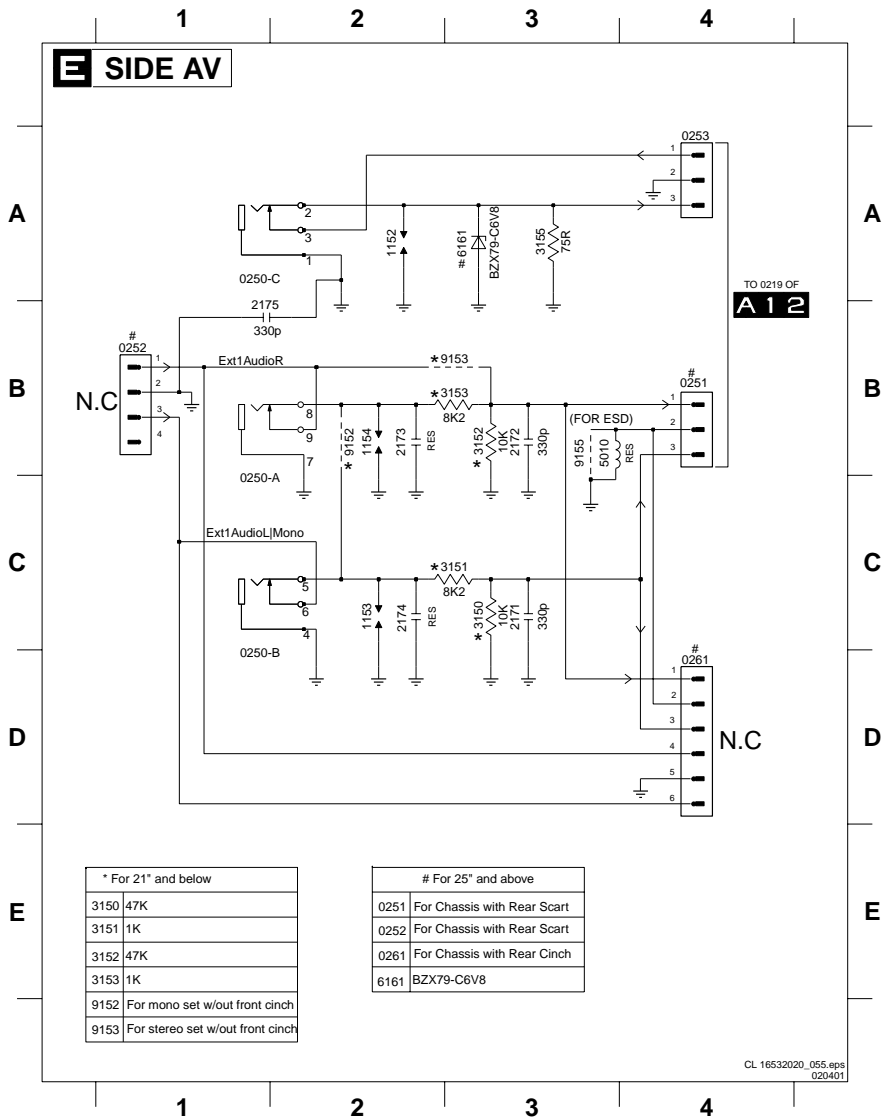
**Diversity Table B**

Item	Description	4"	7"	9"	11" Stereo, CRT AS16ER133V2	11" Mono	11" Stereo
0254	BP F CRT N-NECK	X	X	X	X	X	X
0254	BP F CRT M-NECK	X	X				
2313	270P 50V	X	X				
2313	220P 50V			X	X	X	X
2323	50V 390P	X	X	X	X	X	X
2331	50V 390P	X	X	X	X	X	X
3313	10R	X	X	X	X	X	X
3323	10R	X	X	X	X	X	X
3333	10R	X	X	X	X	X	X
3349	1R			X			
3349	1R5	X	X	X			
3349	1R8				X	X	
3350	1R			X			
3350	1R5	X	X	X	X		
3350	1R8					X	X
5341	4U7	X					
5341	22U				X		
5341	1U			X			
5341	15U					X	X
5341	12U		X				

## Side AV + HP Panel



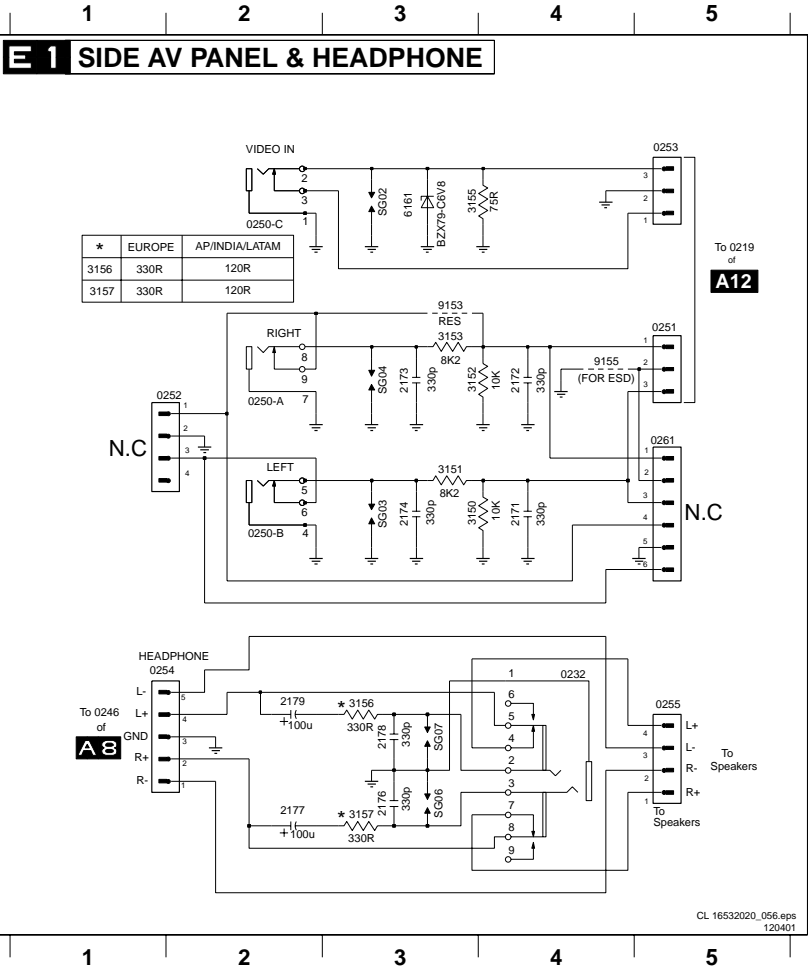
## Side AV Panel



0250-A B1  
0250-B C1  
0250-C A1  
0251 B4  
0252 B1  
0253 A4  
0261 D4  
1152 A2  
1153 C2  
1154 B2  
2171 C3  
2172 B3  
2173 B2  
2174 C2  
2175 B1  
3150 C3  
3151 C3  
3152 B3  
3153 B3  
3155 A3  
5010 B3  
6161 A3  
9152 B3  
9153 B3  
9155 B3



Side AV Panel + Headphone



- 0232 D4
- 0250-A B2
- 0250-B C2
- 0250-C A2
- 0251 B5
- 0252 B2
- 0253 A5
- 0254 D2
- 0255 D5
- 0261 C5
- 2171 C4
- 2172 B4
- 2173 B3
- 2174 C3
- 2176 E3
- 2177 E2
- 2178 E3
- 2179 D2
- 3150 C3
- 3151 C3
- 3152 B3
- 3153 B3
- 3155 A3
- 3156 D3
- 3157 E3
- 6161 A3
- 9153 B3
- 9155 A4
- SG02 A3
- SG03 C3
- SG04 B3
- SG06 E3
- SG07 E3