

Philips Domestic Appliances and Personal Care

# Service Manual

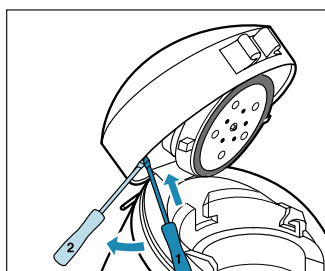
SAP coding HD7800/1

## PRODUCT INFORMATION

Voltage	: 220 - 230 V
Frequency	: 50 Hz
Power consumption	: 1650 W
Contents reservoir	: 750 cc
Colour setting	: Ivory

## REPAIR INSTRUCTIONS

- **Take off all lose parts**
- **Brew chamber**
  - Take off the cover brew chamber with a screwdriver



- Uncouple the hose
- Push out the brew chamber
- **Boiler**
  - Remove back cover
  - Take out the boiler complete
- **Pump / P.C.B. / Water inlet**
  - Remove base
  - Take out the pump, P.C.B. or Water inlet

## Descaling

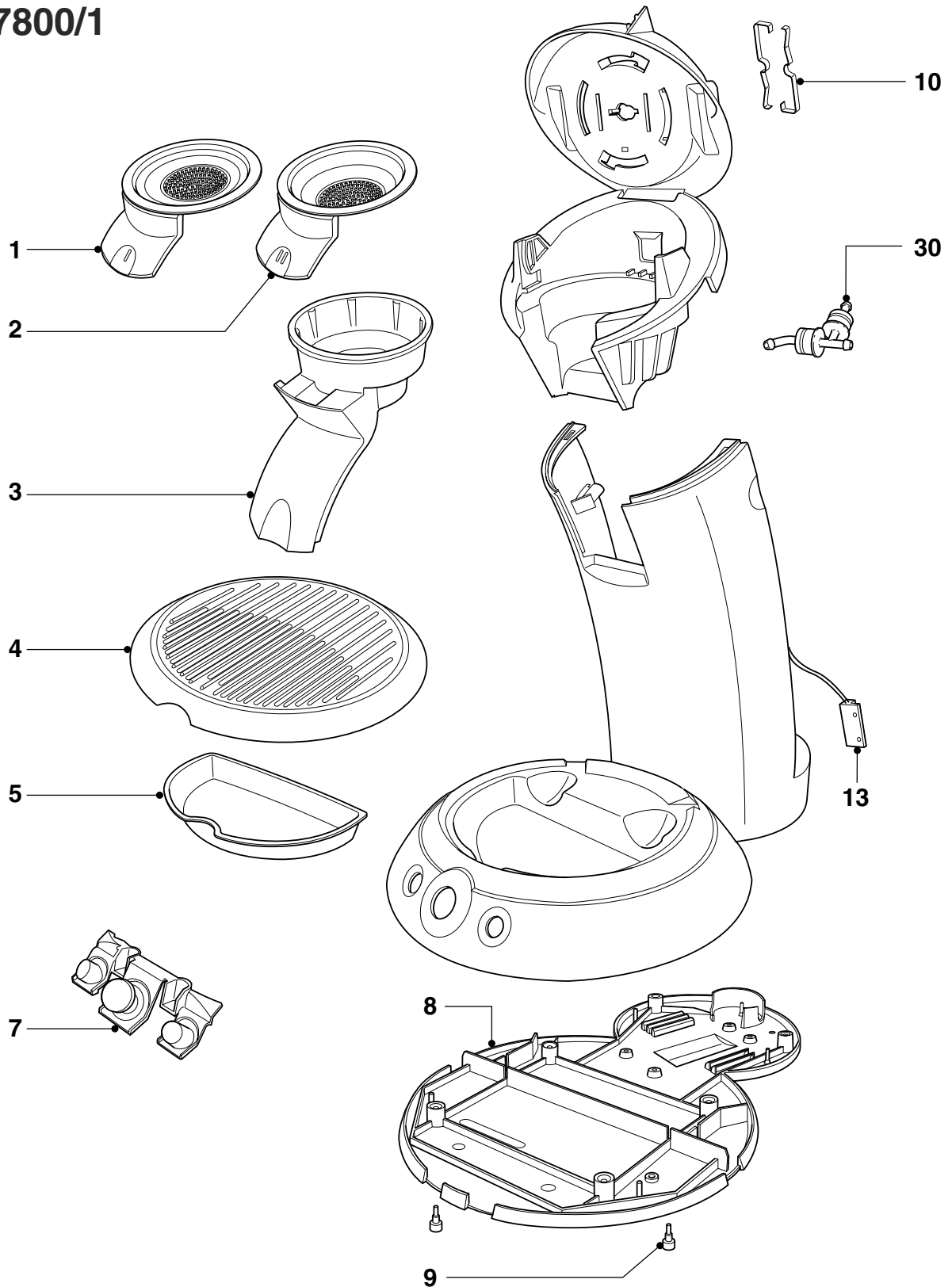
Regular descaling will prolong the life of your appliance and will guarantee optimal brewing results for a long time.

- Follow the steps in the section headed "Preparing the appliance for use" see DFU (Direction For Use manual).
- In stead of only water use a mix of water and Lemon sour.
- For the best result leave the mix of water and Lemon sour for about 30 minutes in the appliance, before you start with flushing the appliance.
- To get the best results repeat above mentioned step once or twice.
- When finished, flush the appliance twice by repeating the above mentioned steps only use water instead.

**Product meets the requirements regarding interference suppression on radio and television.**

**- After the product has been repaired, it should function properly and has to meet the safety requirements as laid down officially established at this moment.**

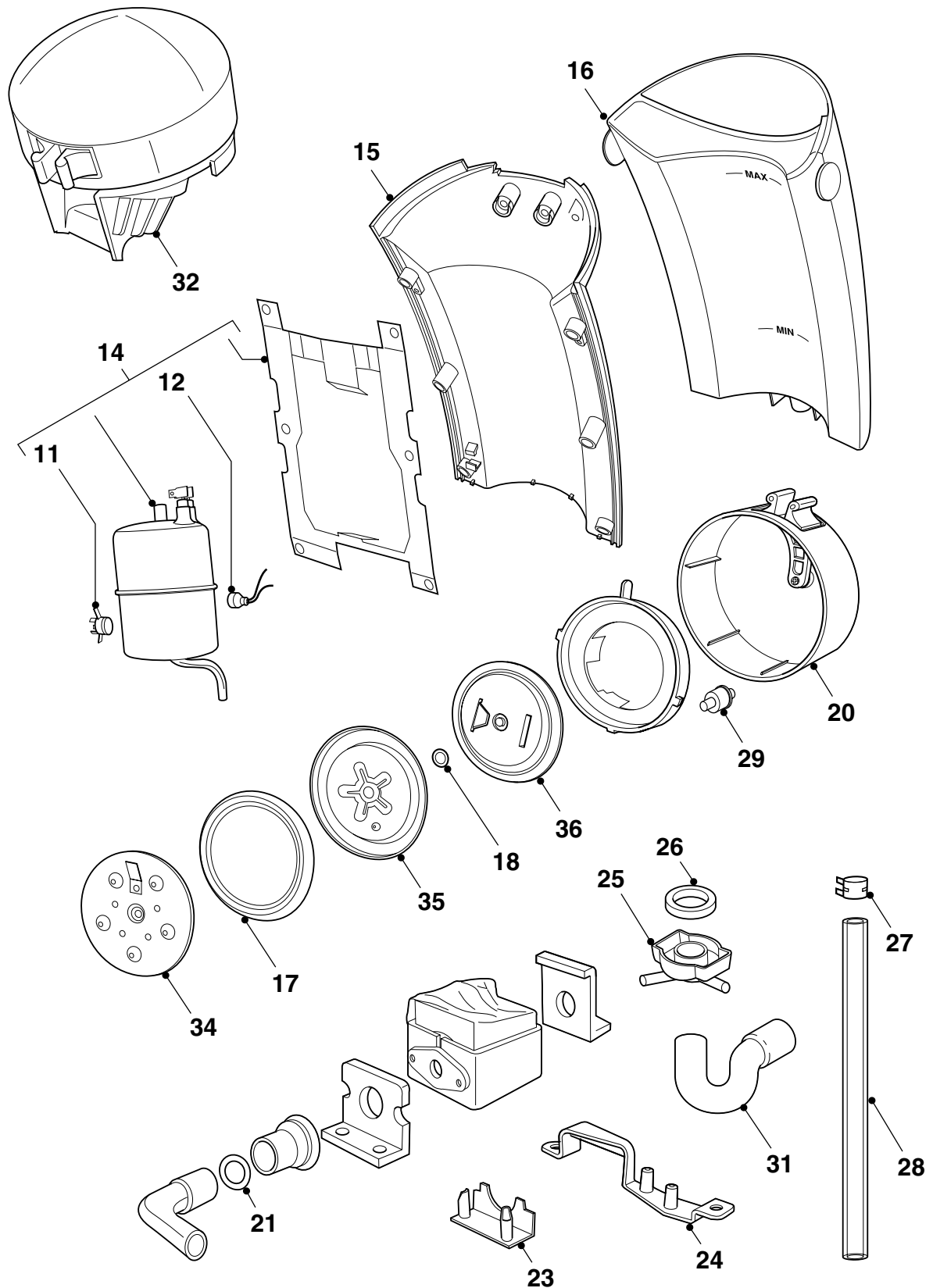
# HD7800/1



Pos	Service code	Description
1	9965 000 07733	Pad-holder single
2	9965 000 07734	Pad-holder double
3	9965 000 07735	Foam chamber assy
4	9965 000 07736	Drip tray cover
5	9965 000 07737	Drip tray
6		
7	9965 000 07739	Push buttons assy inc. light and wires
8	9965 000 07740	Base
9	9965 000 07741	Foot
10	9965 000 07742	Lock ring spring
11	9965 000 07743	Thermostat

Pos	Service code	Description
12	9965 000 07744	Temp. sensor
13	9965 000 07745	Water level sensor
14	9965 000 07746	Boiler comp. Incl. 11, 12 and frame
15	9965 000 07747	Back cover
16	9965 000 07748	Water tank assy
17	9965 000 07749	Brew chamber radial seal
18	9965 000 13585	O-ring brew chamber
19		
20	9965 000 07752	Cover brew chamber assy
21	9965 000 07750	O-ring pump
22		

# HD7800/1



Pos	Service code	Description
23	9965 000 07754	Front pump outlet
24	9965 000 07755	Rear pump outlet
25	9965 000 07756	Water socket
26	9965 000 07757	Seal ring
27	9965 000 07758	Hose clamp
28	9965 000 07759	Hose 0.5 metre
29	9965 000 07761	Check valve (not used anymore week 0135 onwards)

Pos	Service code	Description
30	9965 000 11409	Valve (3way)
31	9965 000 13586	S-Hose
32	9965 000 10862	Brewchamber bottom assy complete
34	9965 000 16297	Distribution disc
35	9965 000 16298	Brewchamber lid
36	9965 000 16299	Water connection plate

# HD7800/1

