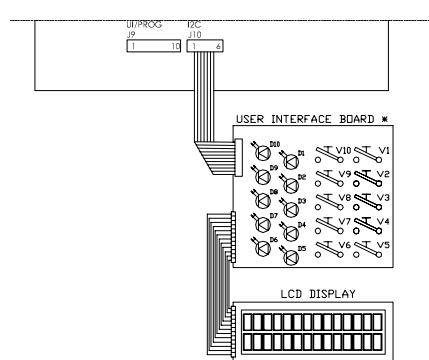


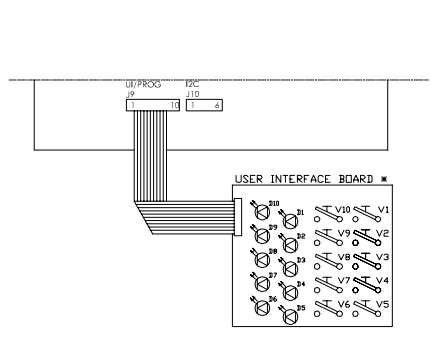
- GRIGIO - GREY
- MARRONE - BROWN
- NERO - BLACK
- ROSA - PINK
- ROSSO - RED
- VERDE - GREEN
- GRAN - GRAY
- GRAU - GRAY
- MARRON - BROWN
- NIR - BLACK
- ROSE - PINK
- ROUGE - RED
- VERT - GREEN
- MARRON - BROWN
- NDR - BLACK
- ROSE - PINK
- ROUGE - RED
- VERT - GREEN
- ORANGE - ORANGE
- HELLBLAU - LIGHT BLUE
- WEISS - WHITE
- BLAU - BLUE
- JAUNE - YELLOW
- GELB - YELLOW
- ARANCIO - ORANGE
- AZZURRO - BLUE
- BIANCO - WHITE
- BLU - BLUE
- GIALLO - YELLOW
- MARANJA - ORANGE
- AZUL - BLUE
- BLANCO - WHITE
- BLAU - BLUE
- AMARILLO - YELLOW
- GRIS - GREY
- MARRON - BROWN
- NEGRU - BLACK
- ROSA - PINK
- ROJO - RED
- VERDE - GREEN

TXT - TXT VERSION



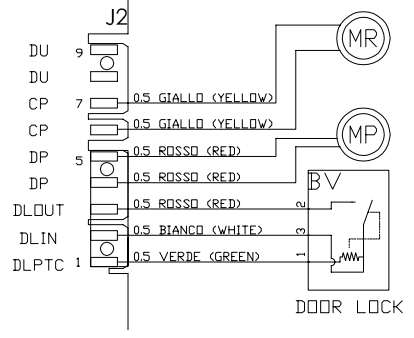
SWITCH AND LED NUMBER ACCORDING TO MODEL

LED - LOGIC OR DIGIT VERSION

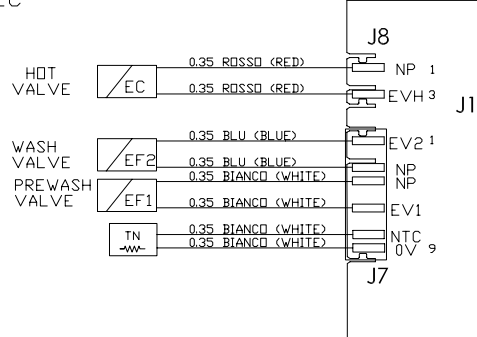


SWITCH AND LED NUMBER ACCORDING TO MODEL

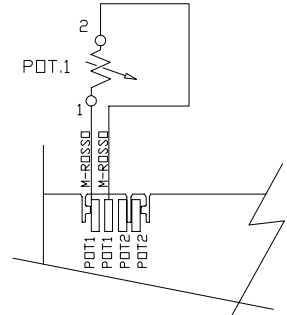
MR



EC



POT1



POT2

