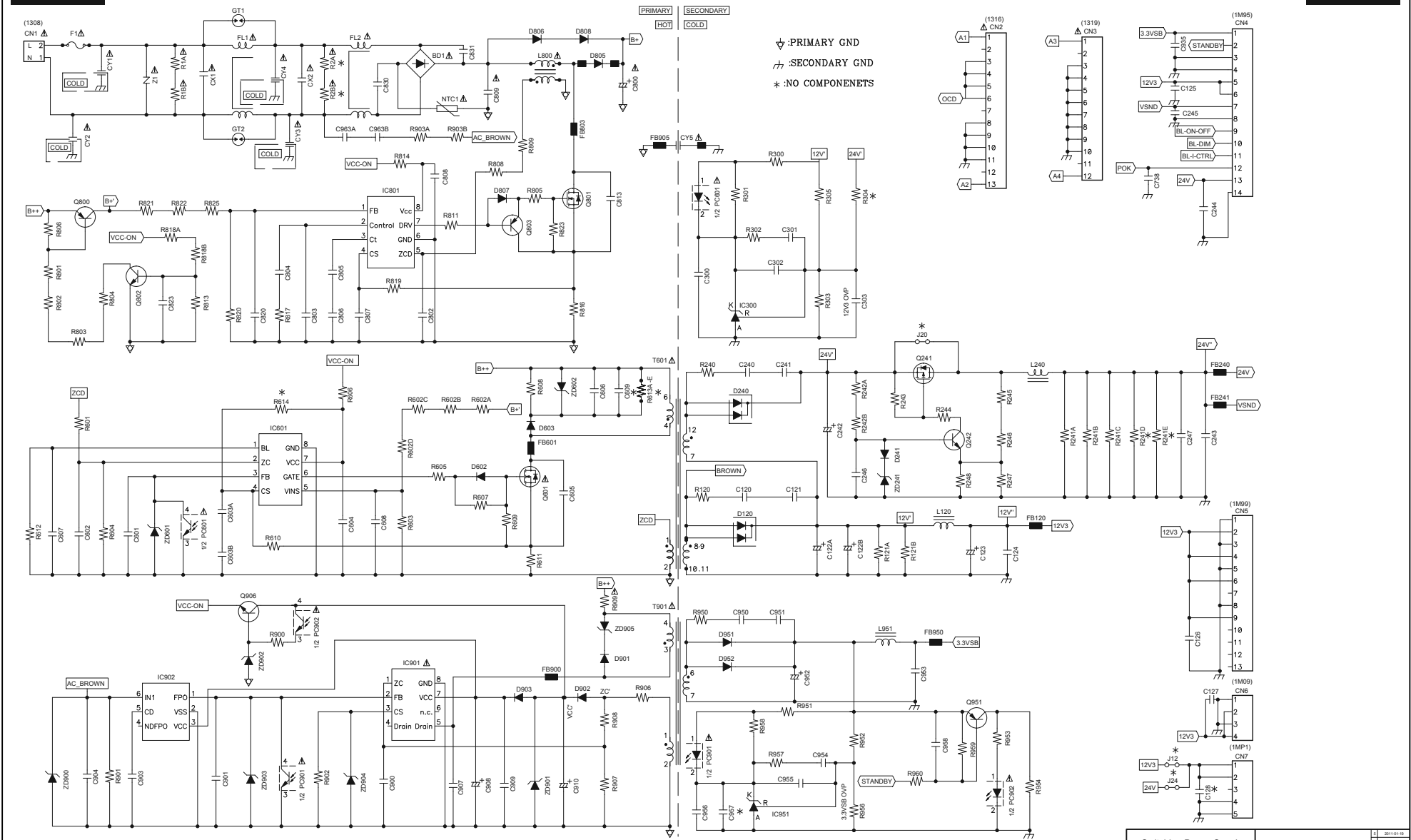


10-2 A01 272217190338 PSU
Switching Power Supply

A01

Switching Power Supply

A01



▽ :PRIMARY GND
 ▽ :SECONDARY GND
 * :NO COMPONENTS

Switching Power Supply	DPS-139AP A	1	2011-01-19

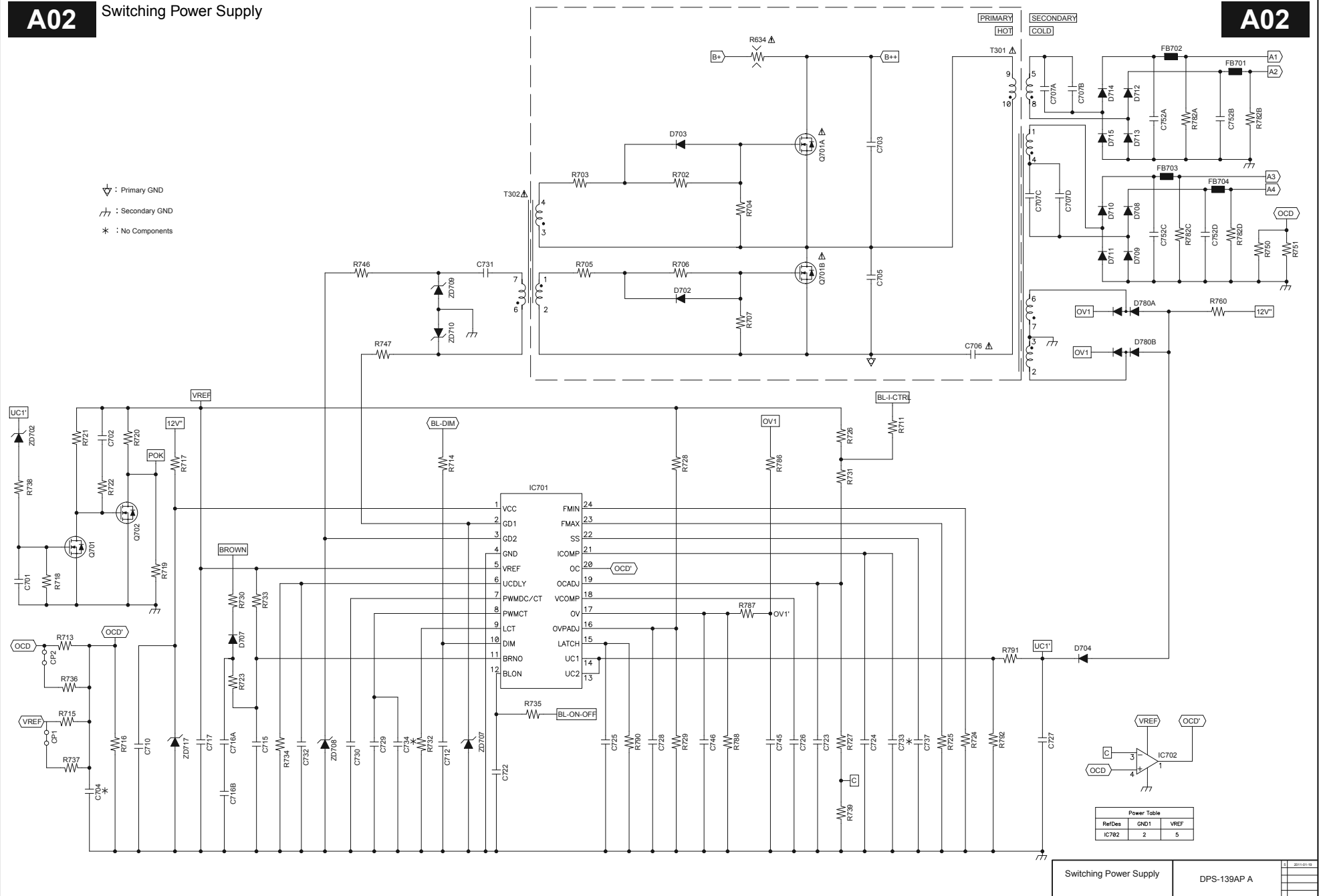
Switching Power Supply

A02

Switching Power Supply

A02

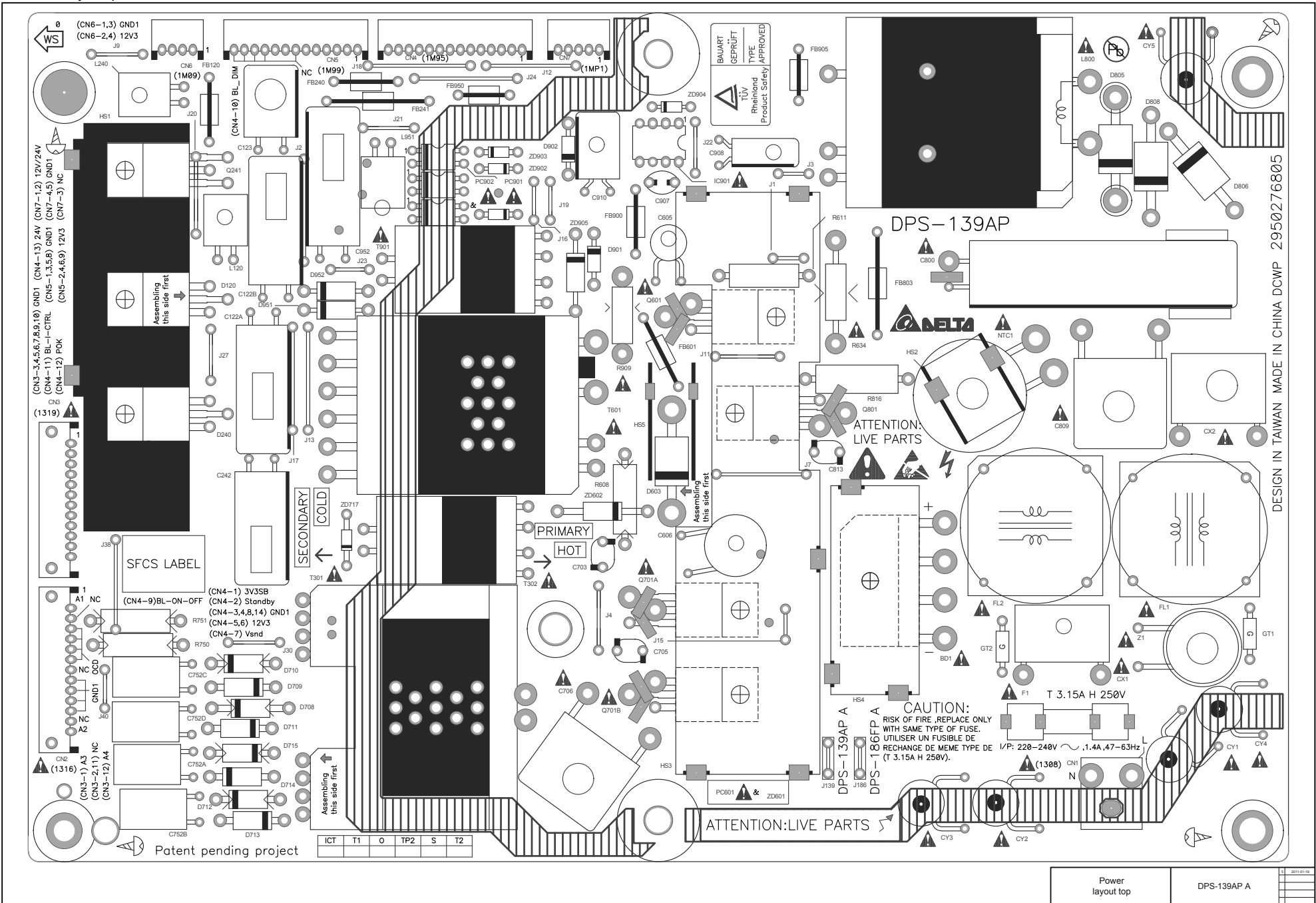
- ▽ : Primary GND
- ⚡ : Secondary GND
- * : No Components



Power Table		
RefDes	GND1	VREF
IC702	2	5

Switching Power Supply DPS-139AP A

Power layout top



DESIGN IN TAIWAN MADE IN CHINA DCWP 2950276805

Patent pending project

ICT	T1	0	TP2	S	T2
-----	----	---	-----	---	----

Power layout top	DPS-139AP A
------------------	-------------

