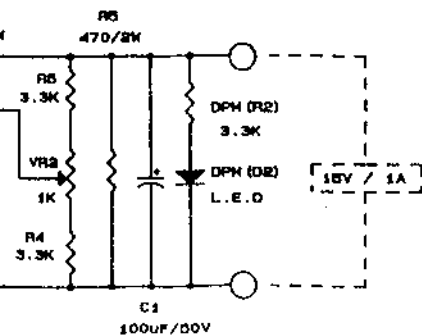
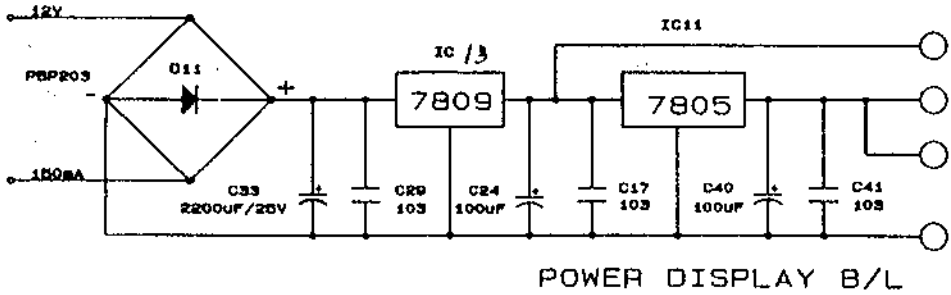
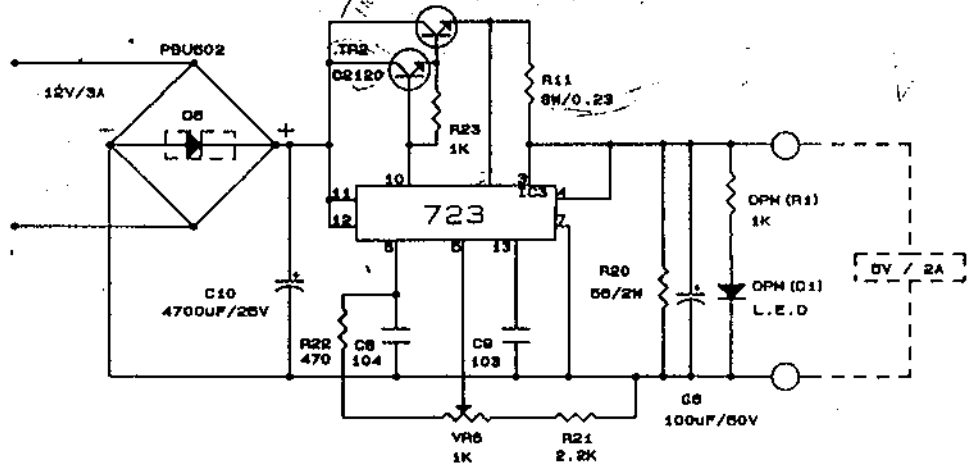
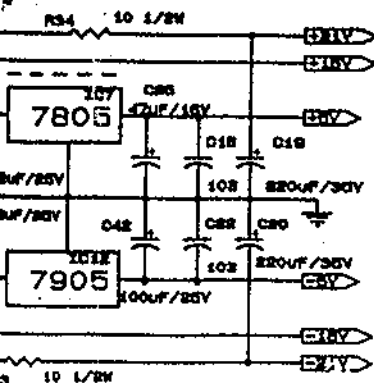
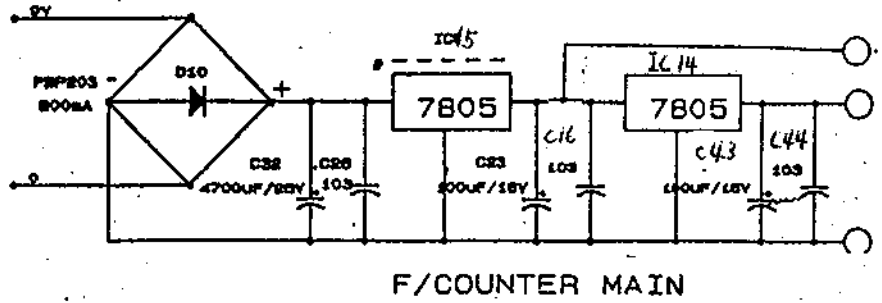
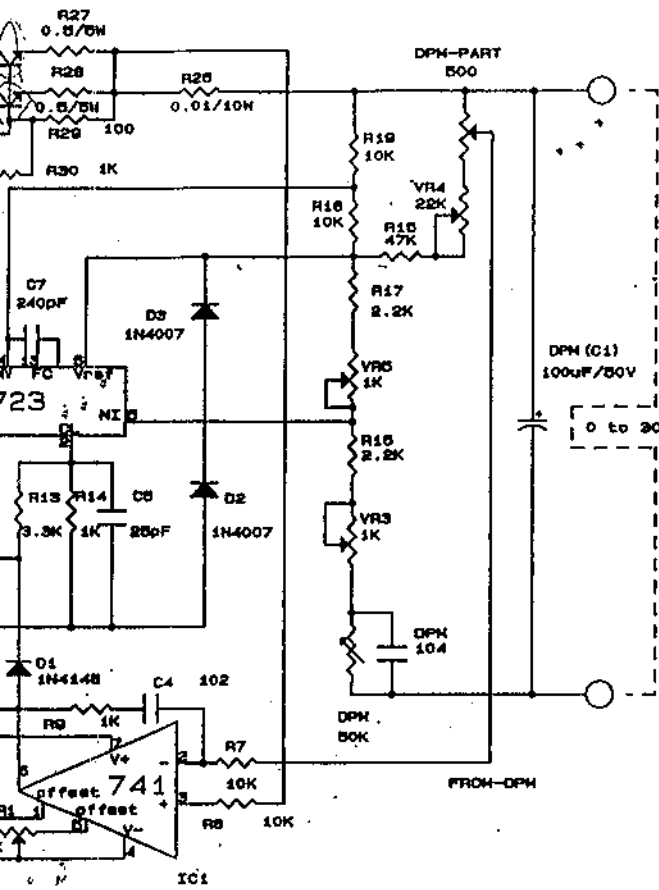


P1A

2004 04 22



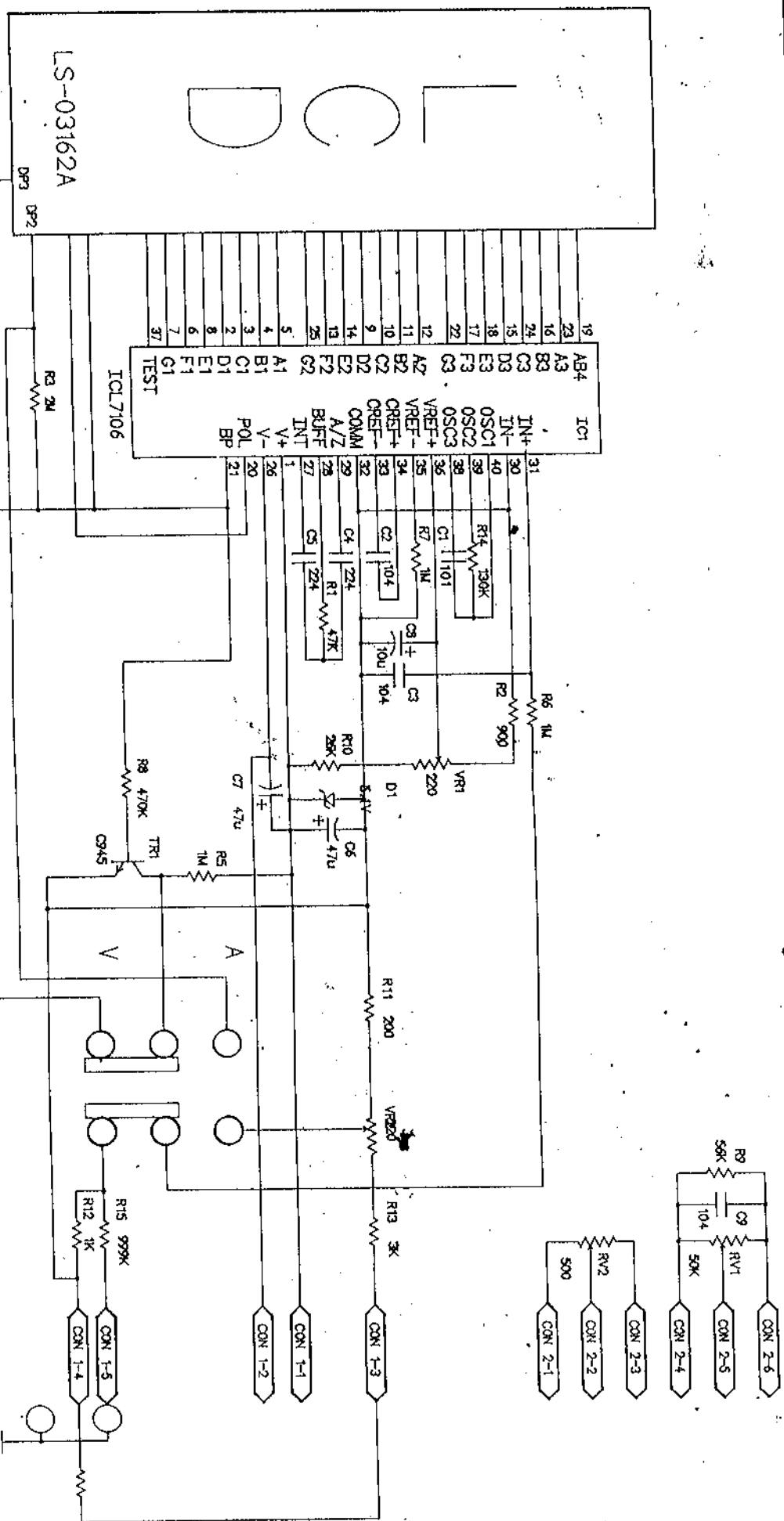
NO	MAT. L	Q'TY	REMARK
1			
2			

SCALE:	UNIT:	DATE : 1998.9.30
DRAWN	DESIGNED	CHECKED
I. J. HAM		
METEX INSTRUMENTS		TITLE: P/B SCHEMATIC DIAGRAM

P1B

BIN 109771

100A 04 22



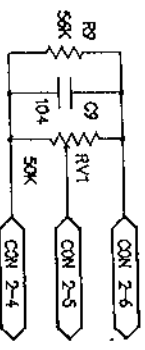
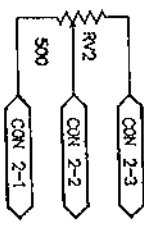
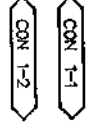
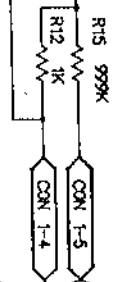
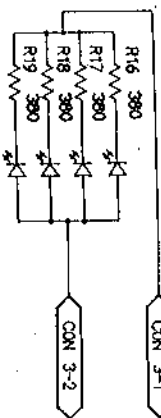
LS-03162A

19	AB4	IC1
23	A3	IN+
16	B3	IN-
24	C3	OSC1
15	D3	OSC2
18	E3	OSC3
17	F3	OSC3
22	G3	OSC3
12	AZ	VREF+
11	B2	VREF-
10	C2	OREF+
9	D2	OREF-
14	E2	COMM
13	F2	A/Z
25	G2	BLU/F
5	A1	INT
4	B1	V+
3	C1	V-
2	D1	POL
8	E1	BP
6	F1	
7	G1	
37	TEST	

ICL7106

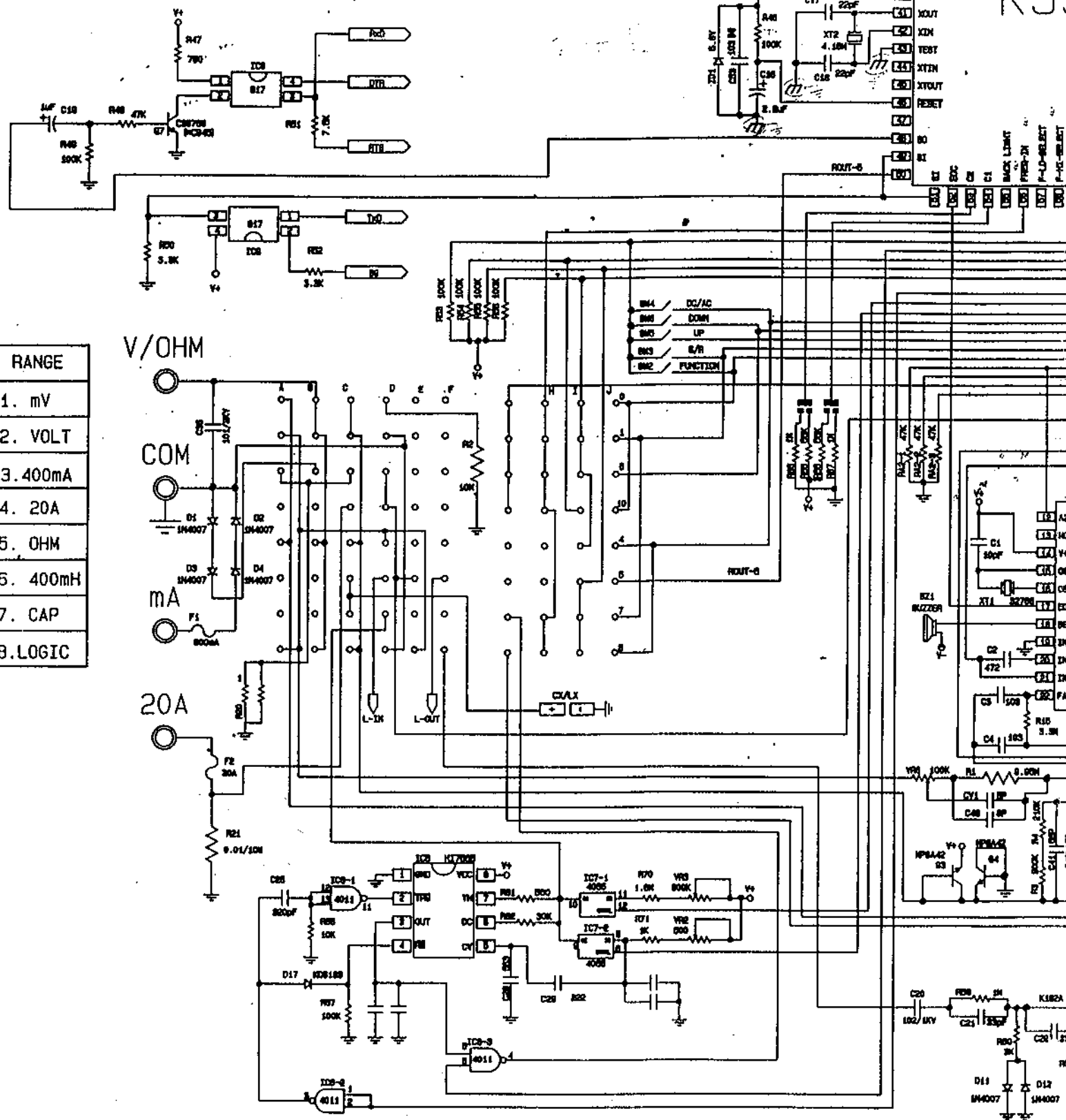


REVIEWS :		DATE		BY	
DESIGNED	W.K.K.	100A 4.21	W.K.K.	100A 4.21	W.K.K.
CHECKED	W.K.K.	100A 4.21	W.K.K.	100A 4.21	W.K.K.
APPROVED	W.K.K.	100A 4.21	W.K.K.	100A 4.21	W.K.K.
DATE	100A 4.21	DATE	100A 4.21	DATE	100A 4.21
SCALE	1:1	SCALE	1:1	SCALE	1:1



1	2	3	4	5	6	7	8	9	10	11	12	13	14	15	16	17	18	19	20	21	22	23	24
CON1				CON1			CON1	PO	A0	F1	A1	F2	A2	F3	A3	PREP (V2)	DB	U2	D4	F4	DB	F6	DB
			CON2				REL	B0	B0	B1	B1	B2	B2	B3	B3	B4	B4	E4	C4	E5	C5	E6	C6
			CON3				MAX	B0	C0	E1	C1	E2	C2	E3	C3	B6	B6	B4	B4	B5	B5	B6	B6
			CON4				MIN	U5	D0	F1	D1	F2	D2	F3	D3	F4	F4	F4	F5	F5	F6	F6	F6
25	26	27	28	29	30	31	32	33	34	35	36	37	38	39	40	41	42	43	44	45	46	47	
F8	D7	V (V2)	C (V2)	IN (V1)	IN (V1)	IN (V1)		BAR 33	BAR 32	BAR 29	BAR 24	BAR 17	BAR 18	BAR 9	BAR 9	BAR 1	BAR 1	AC (V1)	REL				
E7	C7	H (V2)	AC (V2)	K (V1)	V (V1)	K (V2)		BAR 34	BAR 31	BAR 25	BAR 23	BAR 18	BAR 19	BAR 10	BAR 7	BAR 2	BAR 2	FREQ (V1)	MEM				
G7	F7	K (V2)	MS (V1)	N (V1)	A (V1)	K (V2)		BAR 35	BAR 30	BAR 27	BAR 22	BAR 19	BAR 14	BAR 9	BAR 9	BAR 3	BAR 3	HFE	TEMP	EXT	COTL		
F7	A7	H (V2)	F (V1)	F (V1)	CK	CHK		BAR 37	BAR 36	BAR 29	BAR 26	BAR 21	BAR 20	BAR 15	BAR 8	BAR 4	BAR 4	LOGI	CAP	R-H	D-H		

IC1  
KS5



RANGE	
1.	mV
2.	VOLT
3.	400mA
4.	20A
5.	OHM
6.	400mH
7.	CAP
8.	LOGIC

V/OHM



COM



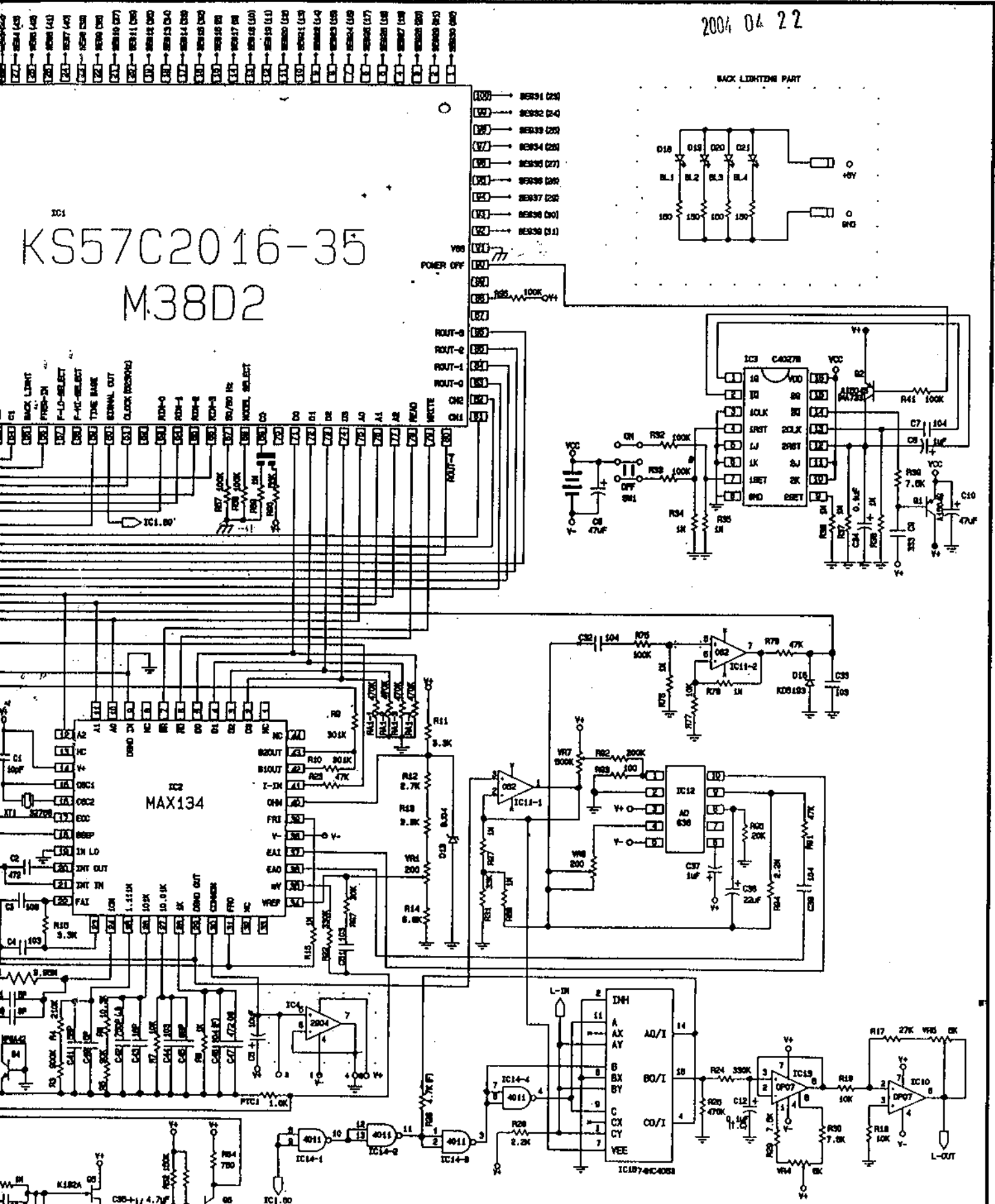
mA



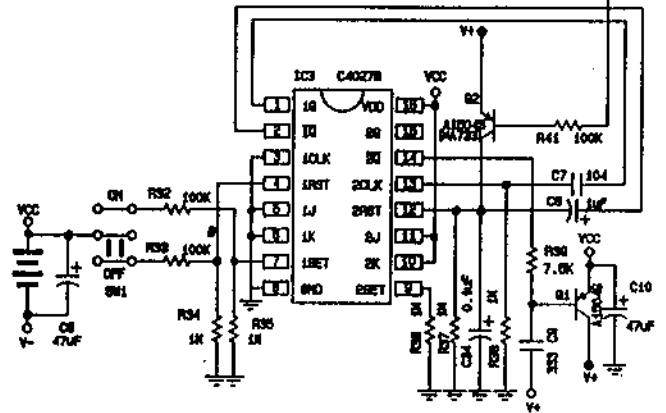
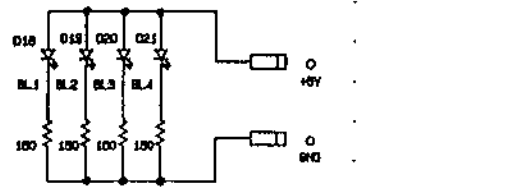
20A



KS57C2016-35  
M.38D2



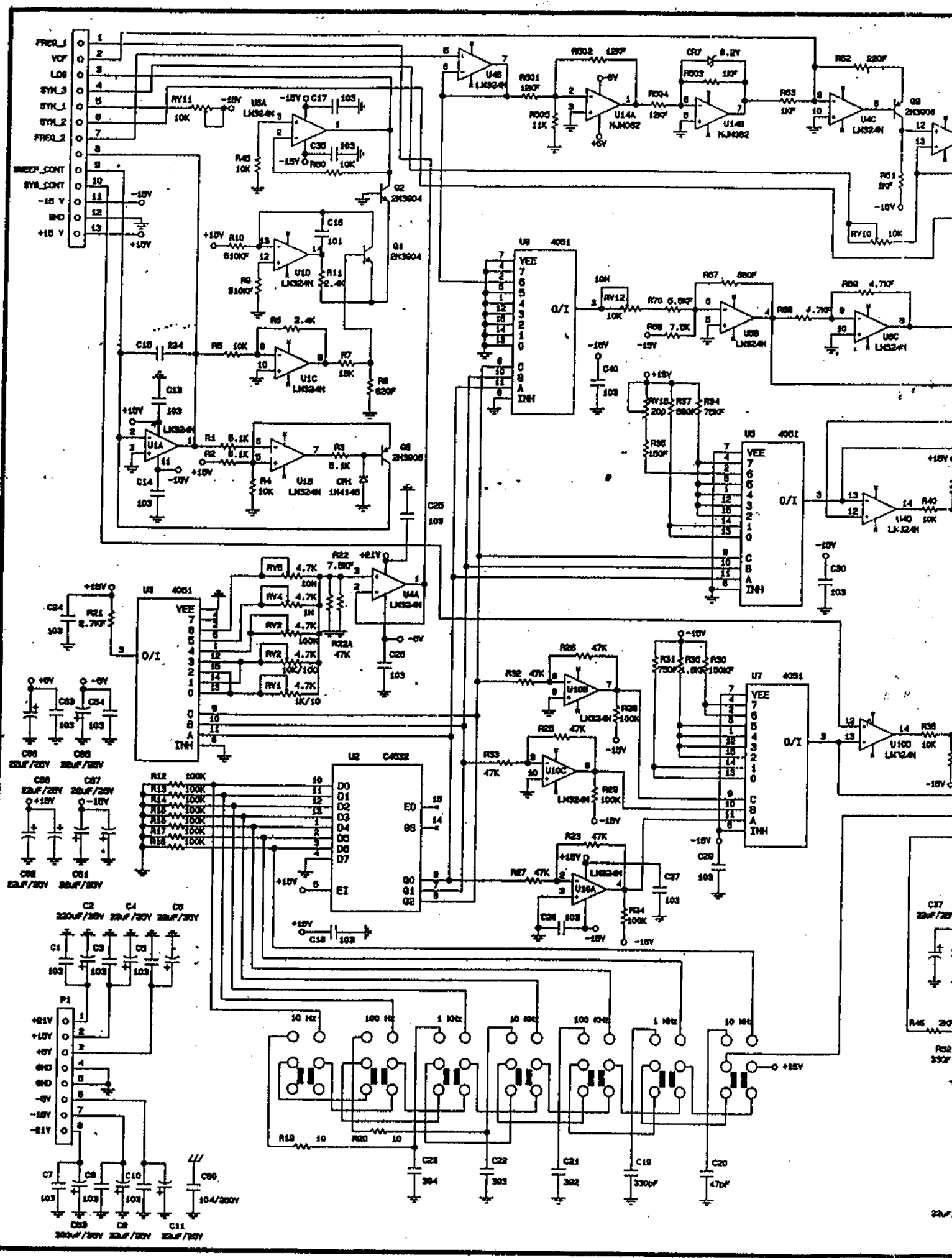
BACK LIGHTING PART



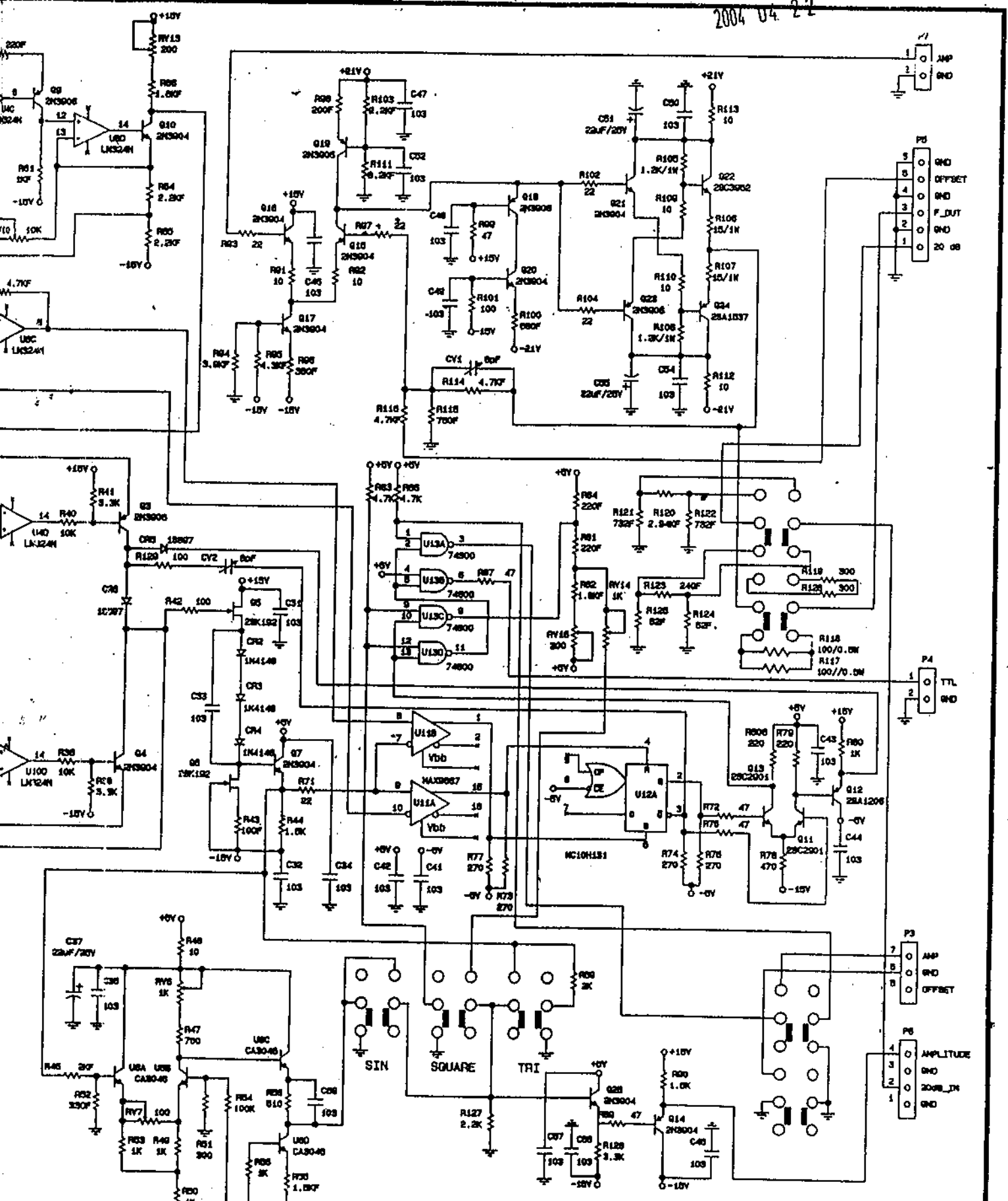
REMARKS :					
TITLE	MS91600 SCHEMATIC DIAGRAM (CPU: M3802)				
DRAWN	DESIGNED	CHECKED	APPROVED	DATE	1998.9.30
I. J. HAM				DWG. NO.	MS9160HRS
METEX INSTRUMENTS			MODEL	MS91600	



*MS9160HRS*



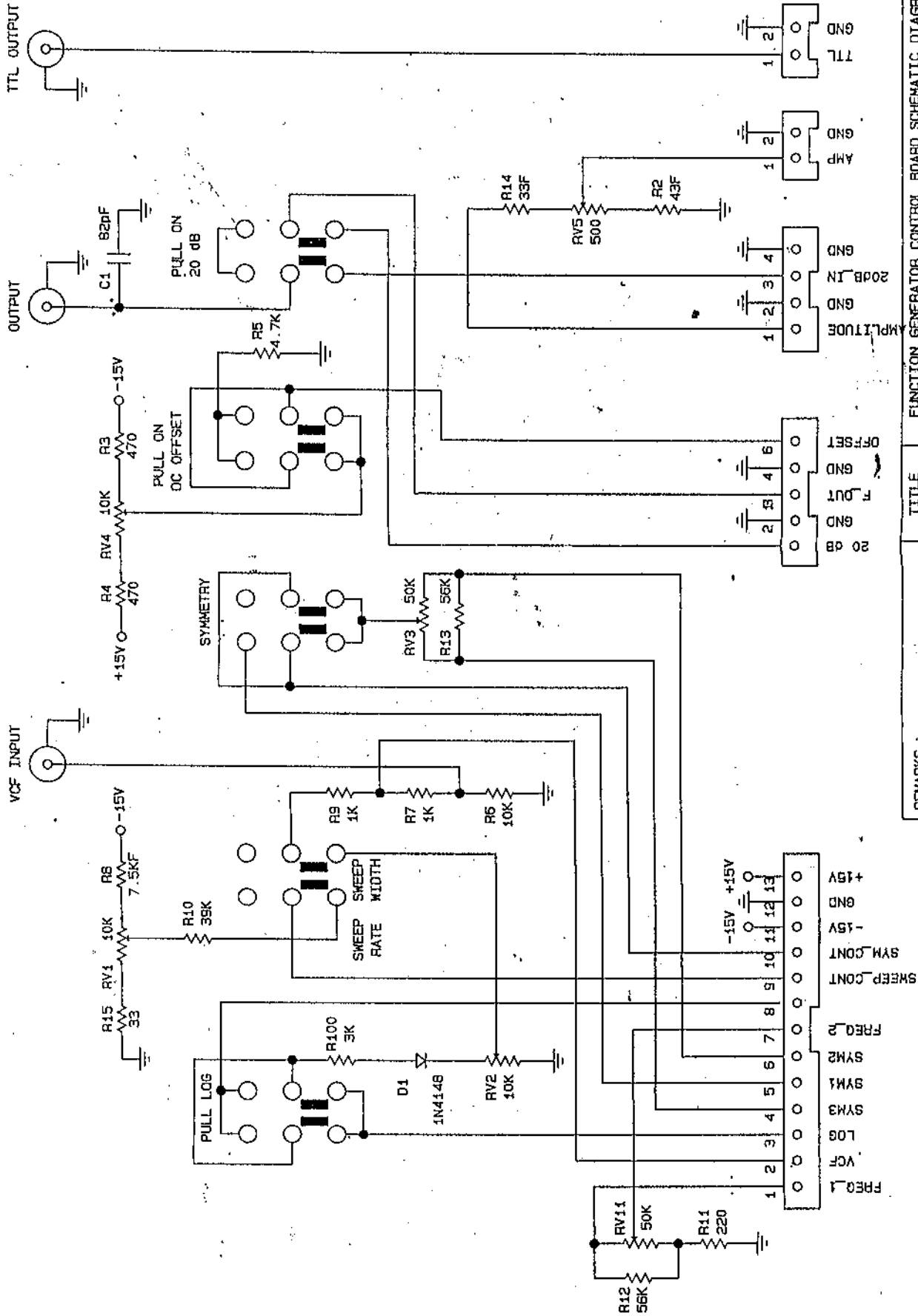
2004 U4 2-2



REMARKS :					
MHS-553 FUNCTION GENERATOR					
TITLE	10 MHz FUNCTION GENERATOR SCHEMATIC DIAGRAM				
DRAWN	DESIGNED	CHECKED	APPROVED	DATE	1998.8.18
I.J.HAM	M.K.KIM	M.K.KIM	S.H.PARK	DWG_NO	4TH
METEX INSTRUMENTS			MODEL	MS-9160	



P 4 B



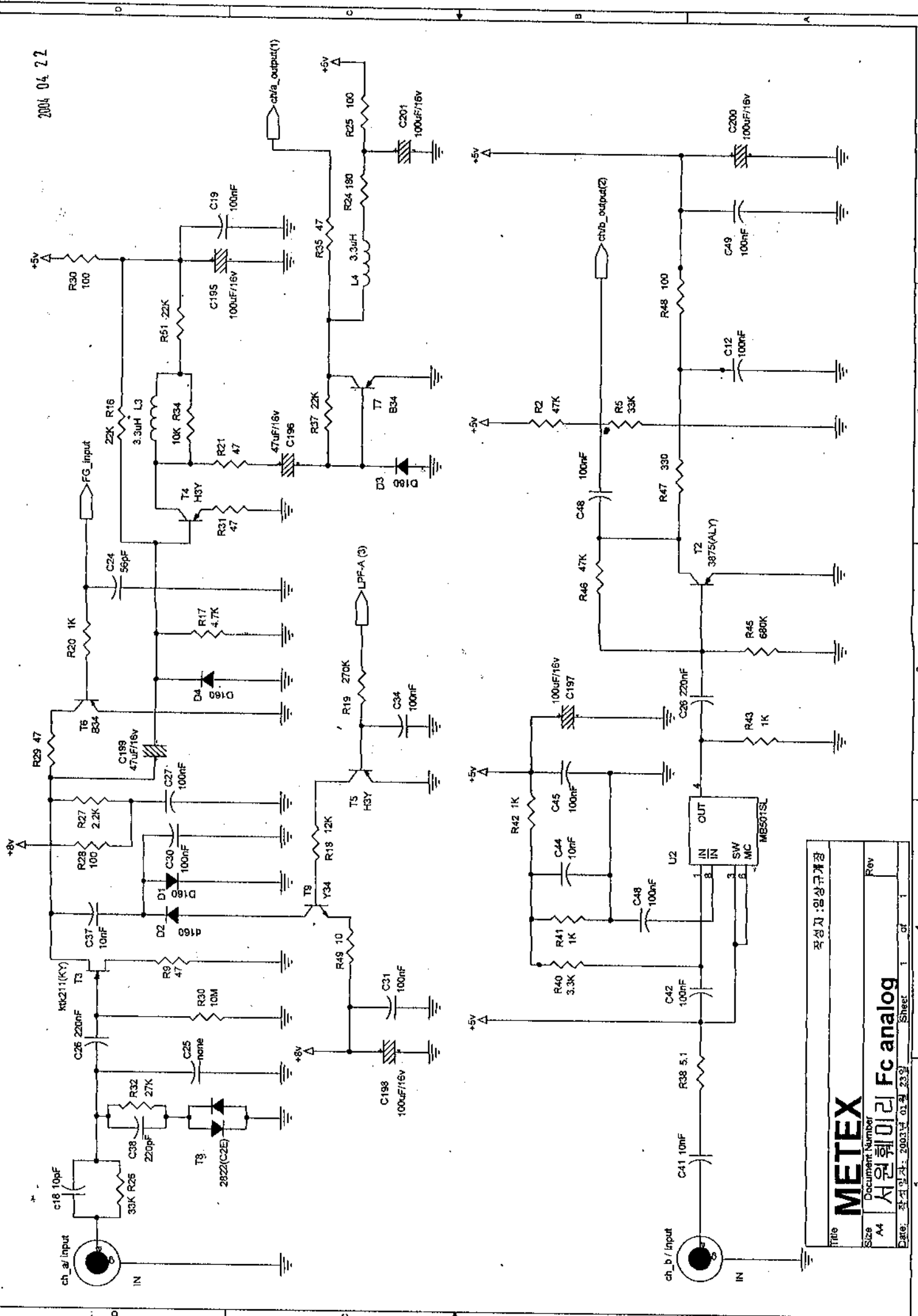
REMARKS :

TITLE	FUNCTION GENERATOR CONTROL BOARD SCHEMATIC DIAGRAM	DESIGNED	APPROVED	CHECKED	DATE
DRAWN	M.K.KIM	M.K.KIM	J.H. Park		1998.8.18
DATE	1998.8.18	DWG_NO	3RD	MS-9150	
MHS-553 FUNCTION GENERATOR CONTROL					

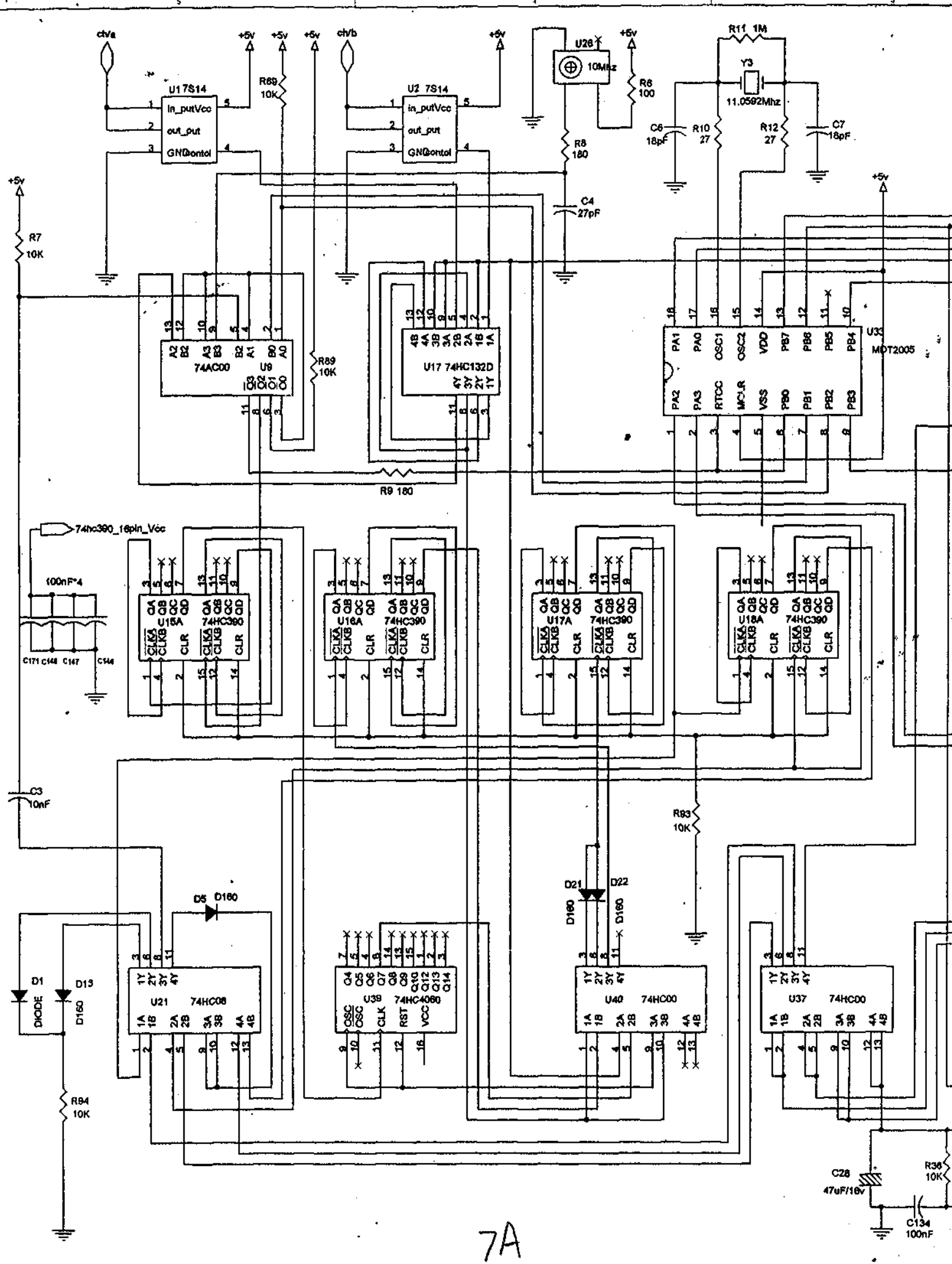




2004 04 22



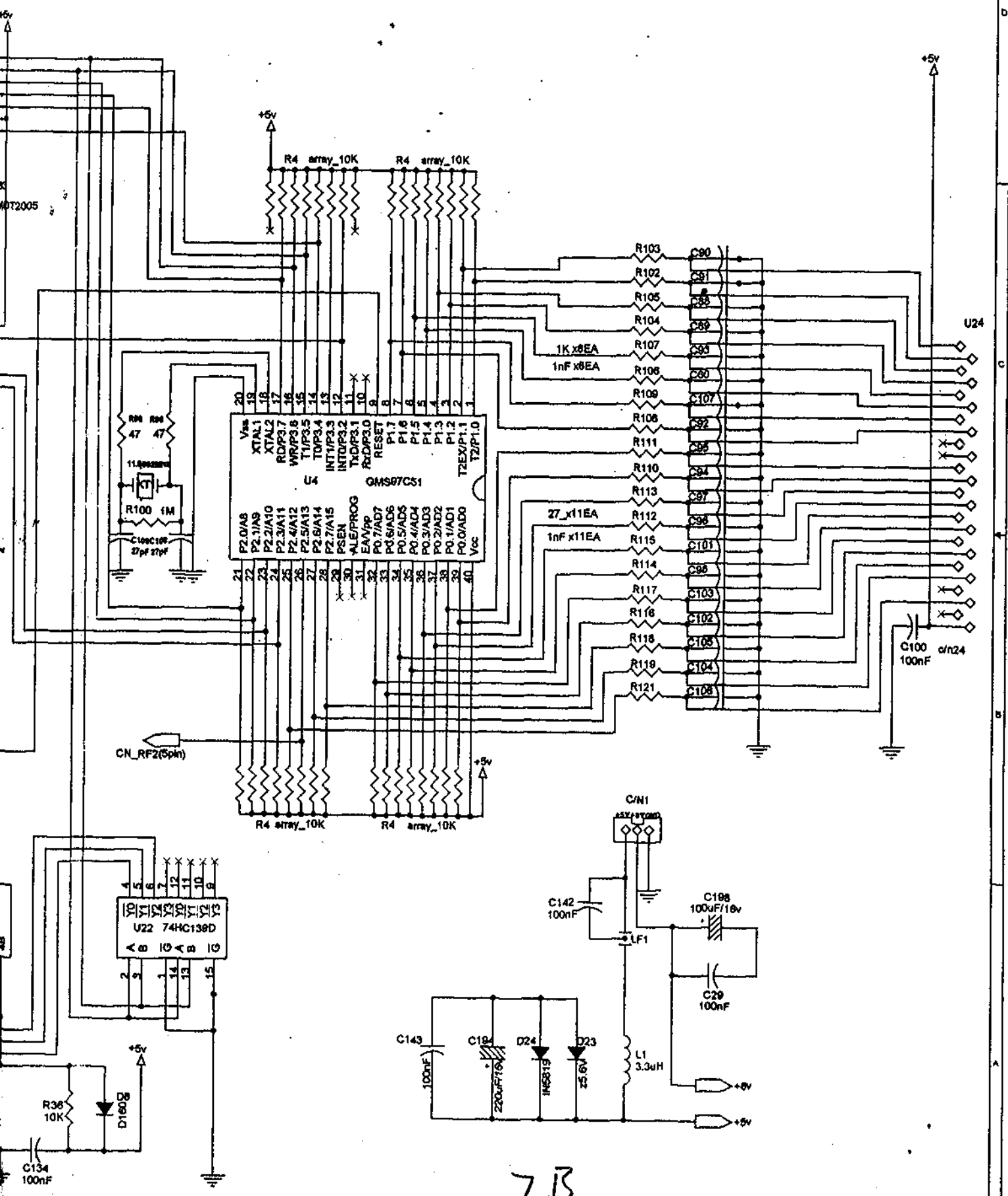
Title		작성자 : 임성규개장	
Size	Document Number		
A4	서원휘메이리 Fc analog		
Date:	작성 일자 : 2003년 01월 23일	Sheet	1 of 1



7A

Title		<b>METEX</b>	
Size	Document Number	서원 웨이리 FC_주파수 카운터	
A3	Rev		
Date:	작성일자	2003년 02월 23일	Sheet of

2004 04 22



7B