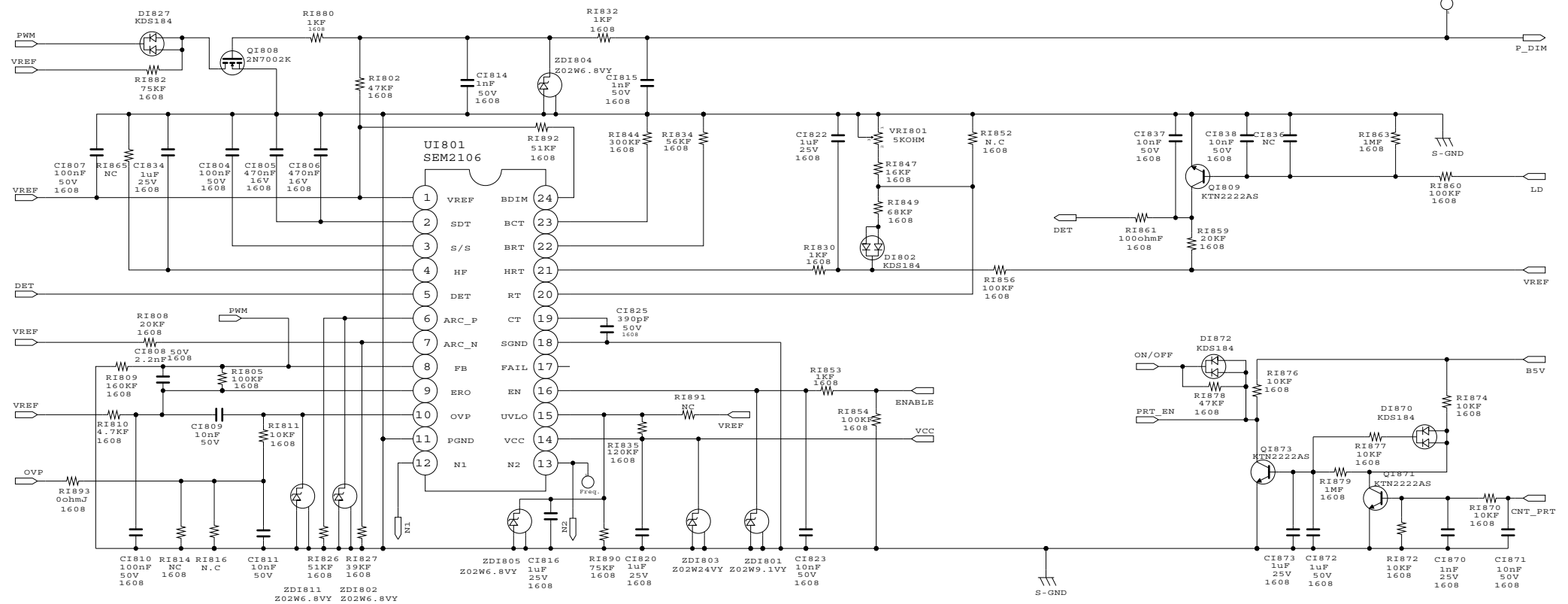
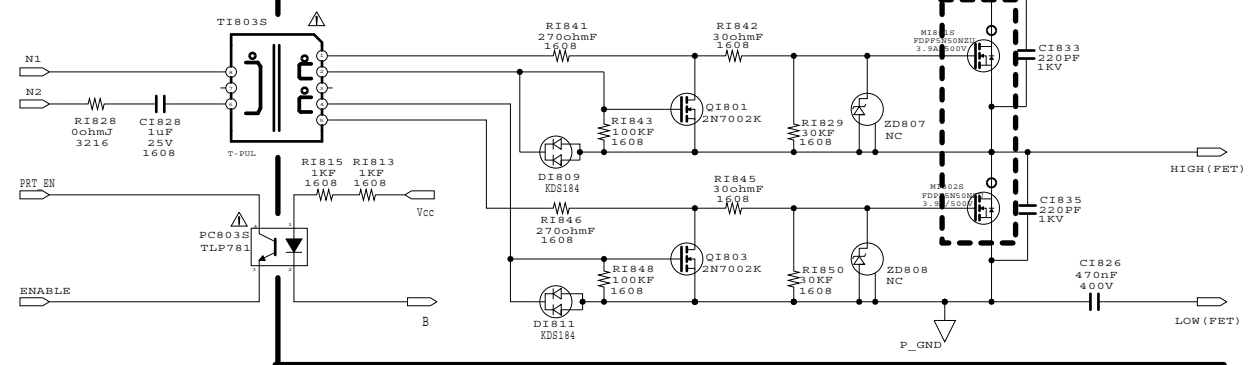
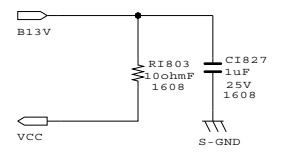


NOTE
 NC : No connection



USER SAMSUNG ELECTRONICS		DATE 2010.12.10
MODEL NAME I37F1_BSM (SEMCO)	SCALE	DRAWN S.H.Kim
PDM NUMBER BN44-00439A	REVISION R.B	CHECKED Y.K.Kang
	LEVEL	APPROVED H.K.Choi

COLD HOT

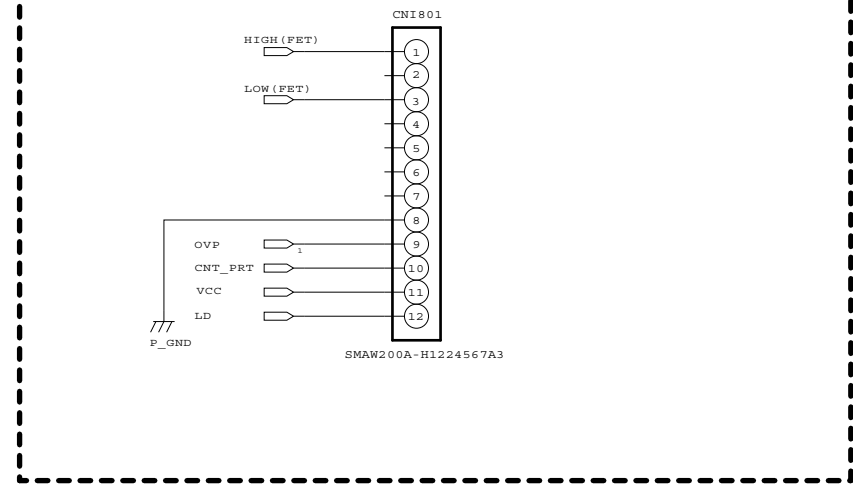
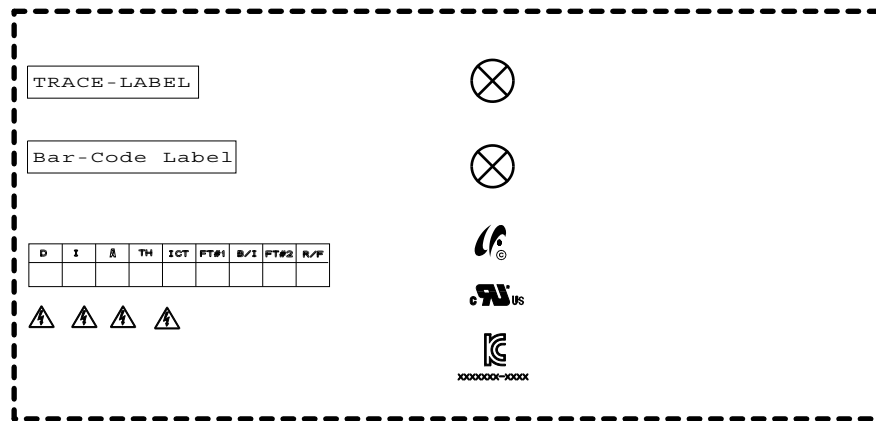
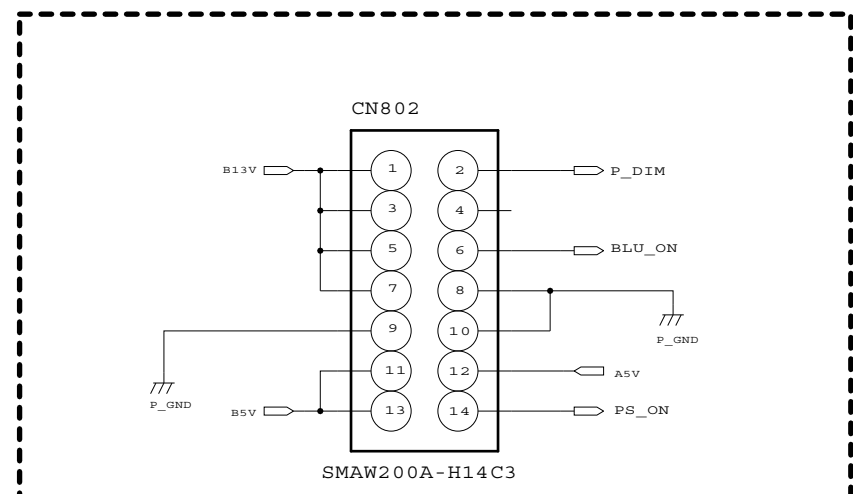
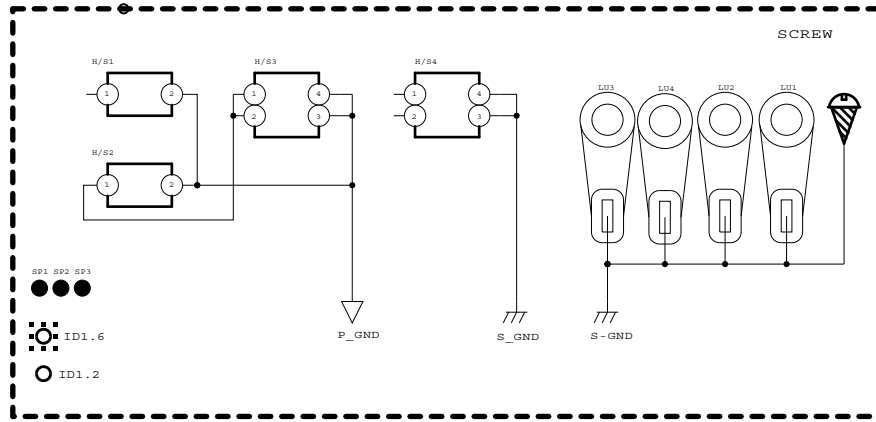


NOTE
NC : NO CONNECTION



USER	SAMSUNG ELECTRONICS		DATE	2010.12.10
MODEL NAME	I37F1_BSM (SEMCO)		SCALE	DRAWN S.H.Kim
PDM NUMBER	BN44-00439A		REVISION R.B	CHECKED Y.K.Kang
			CommonScore	APPROVED H.K.Choi

[CONNECTOR INFORMATION]



NOTE
NC : NO CONNECTION



USER	SAMSUNG ELECTRONICS		DATE	2010.12.10
MODEL NAME	I37F1_BSM (SEMCO)		SCALE	DRAWN S.H.Kim
PDM NUMBER	BN44-00439A		REVISION R.B	CHECKED Y.K.Kang
			CommonScore	APPROVED H.K.Choi