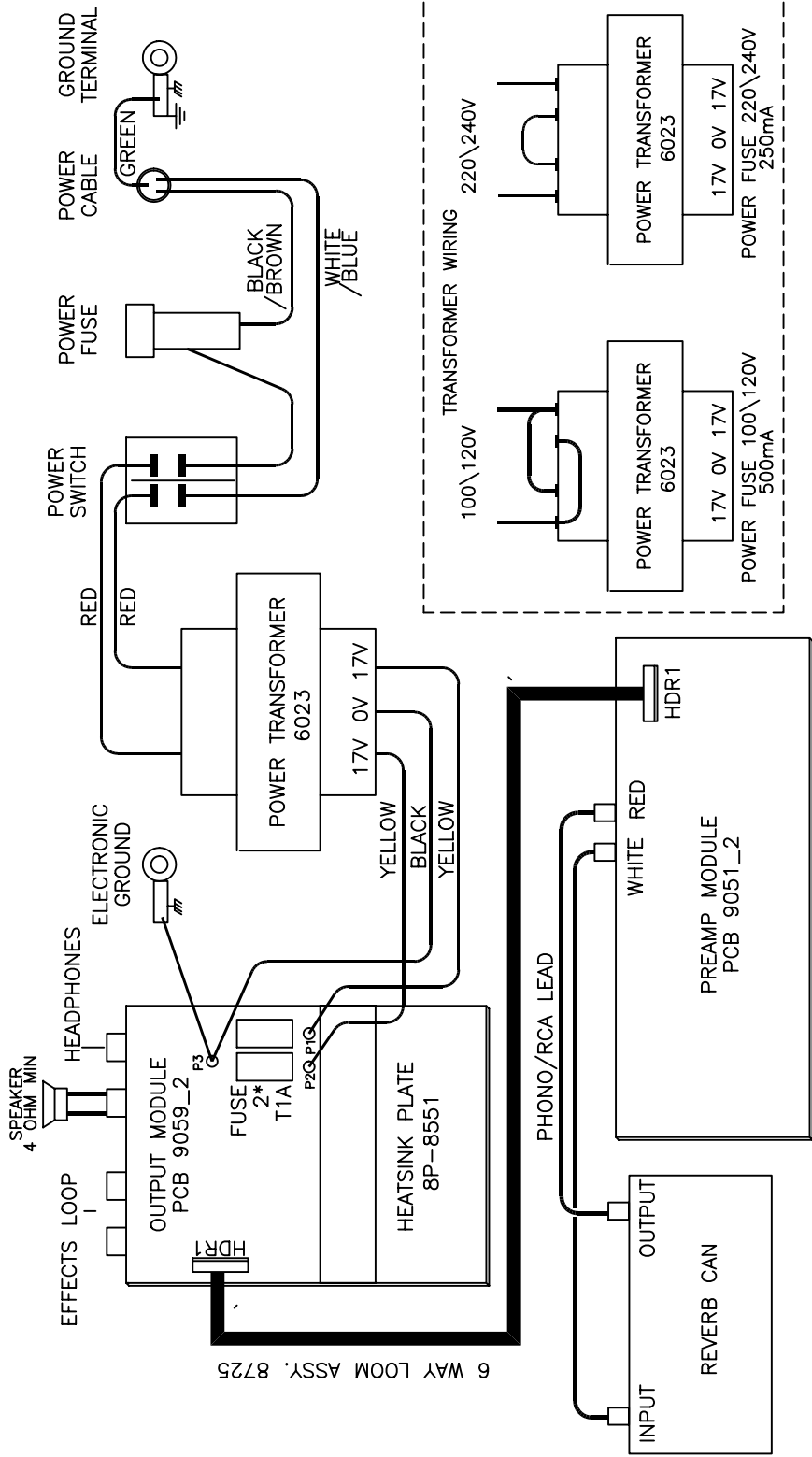


# Laney

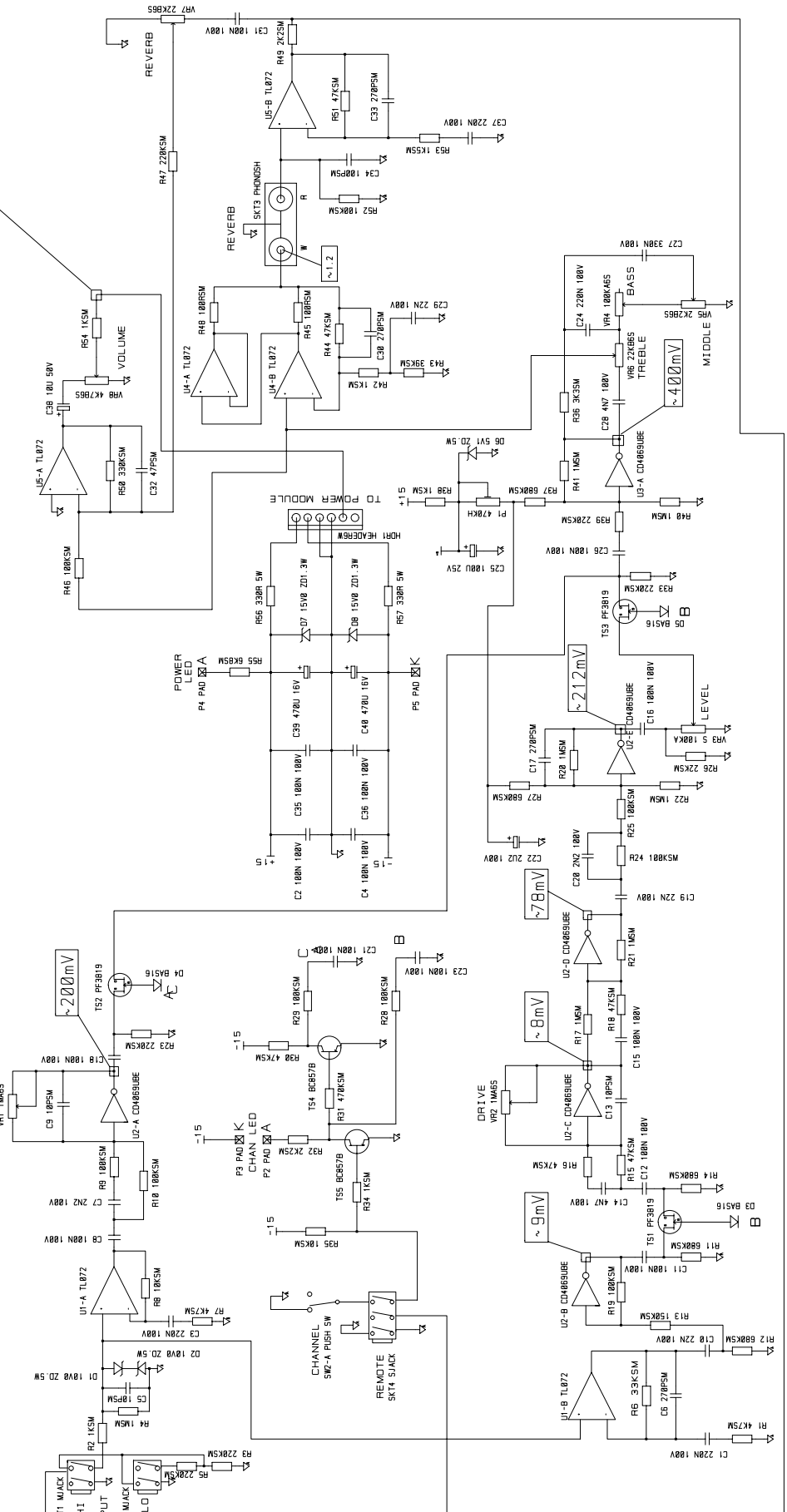
**Service Diagrams**



ISSUE	DESCRIPTION	APPD.	DATE	TITLE	DRAWN	TRACED	CHECKED	APPROVED	DATE
				GC30 SCHEMATIC 100 - 240V SPEC PART No	S.L.				30/08/94
					DRAWING No.				2287

Input sensitivity ~ 1.6 mV HI  
~ 3.2 mV LO

Output sensitivity ~ 650 mV



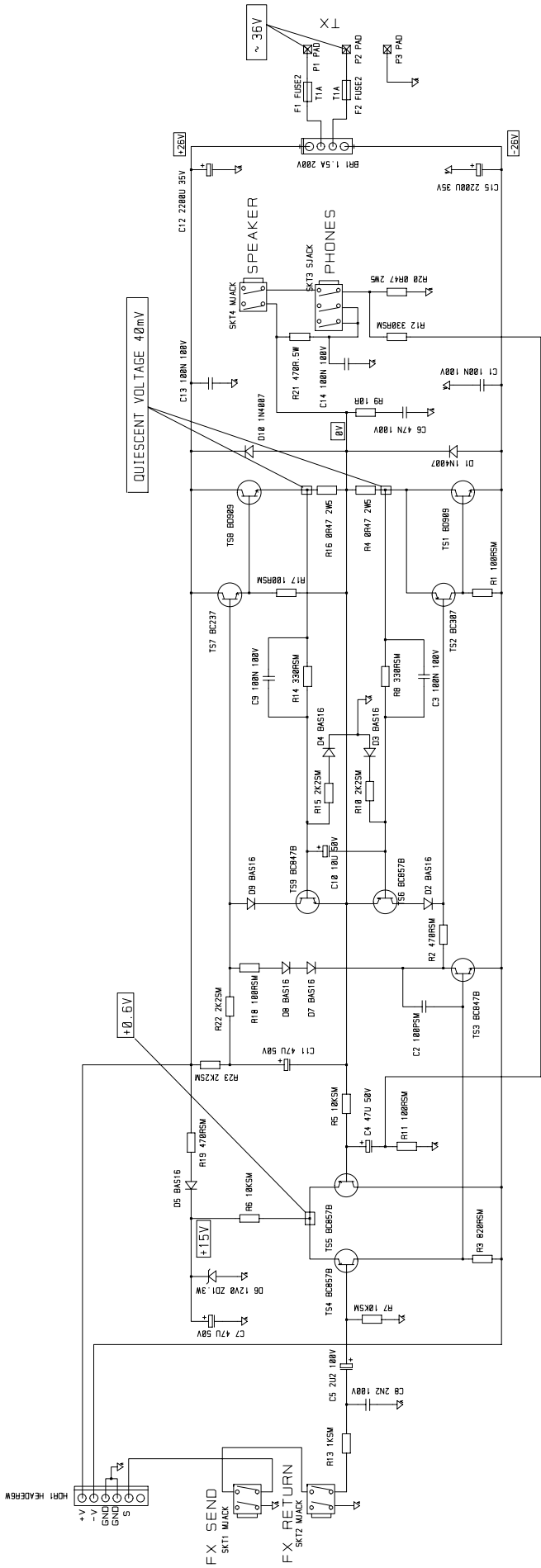
Input sensitivity = GAIN, TONE AND VOLUME CONTROLS TURNED UP TO MAXIMUM  
Overdrive sensitivity = LEVEL CONTROL UP FULL AND DRIVE SWITCHED UP TILL CLIPS (APPROX 2)

DRAWN	DEH
DATE	14/03/94
TITLE	LGC30/50 PREAMP
DRW. NO.	9051_2

ISSUE

TYPE

RE CHANGE FROM 33K TO 10K  
SEE MOD. SHEET 0001  
04/10/94



DRAWN	DEH
DATE	14/03/94
TITLE	LGC/LBC30 OUTPUT
DRW. NO.	9059_2

ISSUE	R14, 15 100R TO 330R 22/04/94 DEH
TYPE	