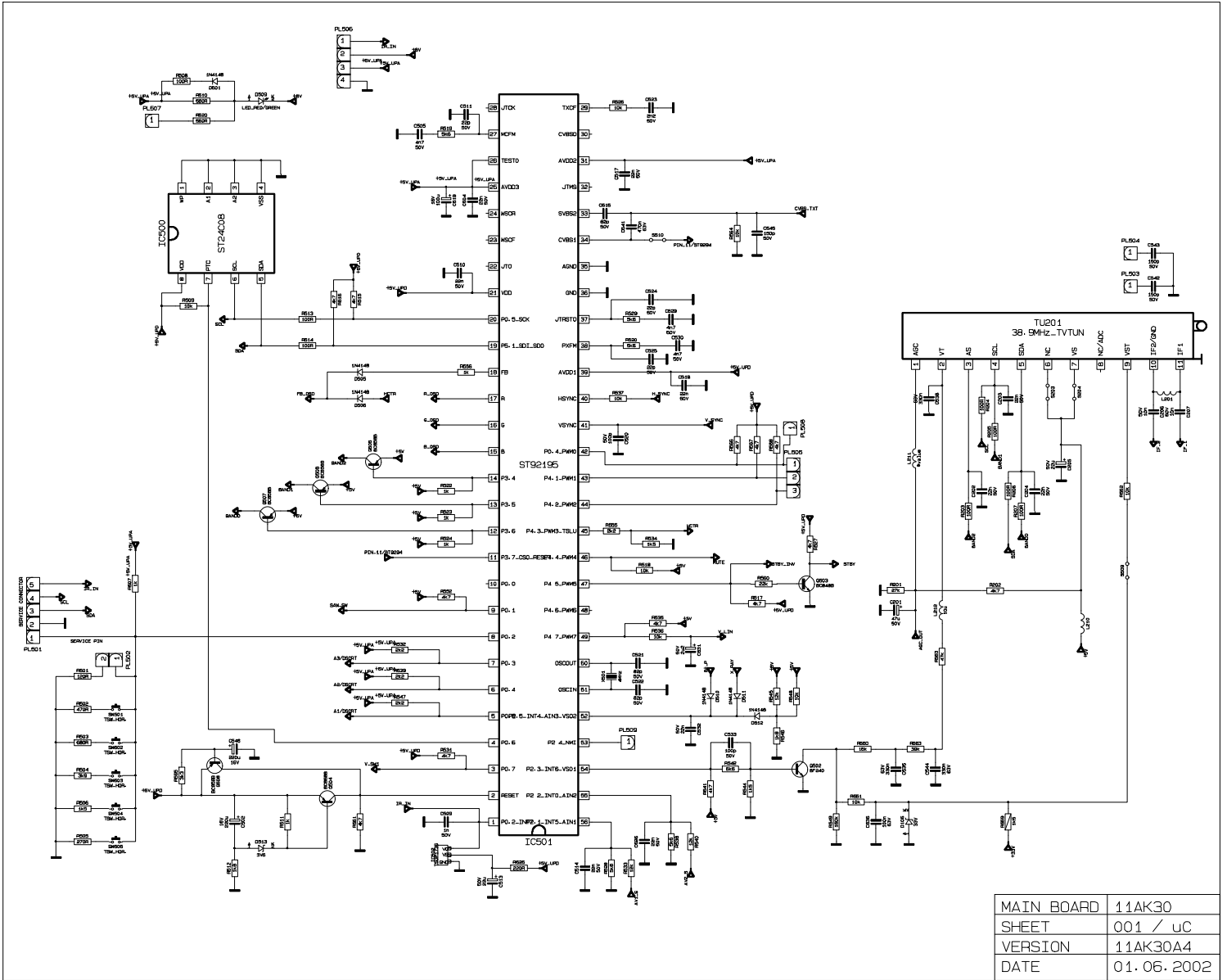
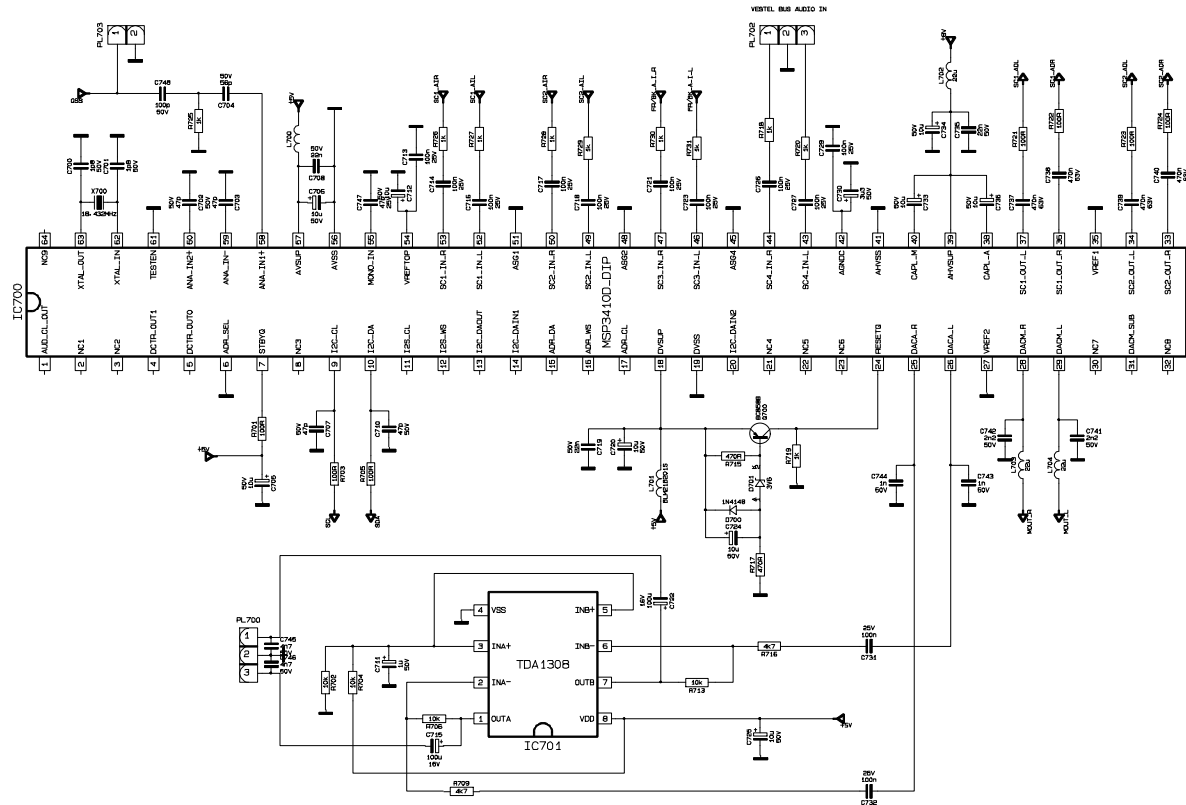


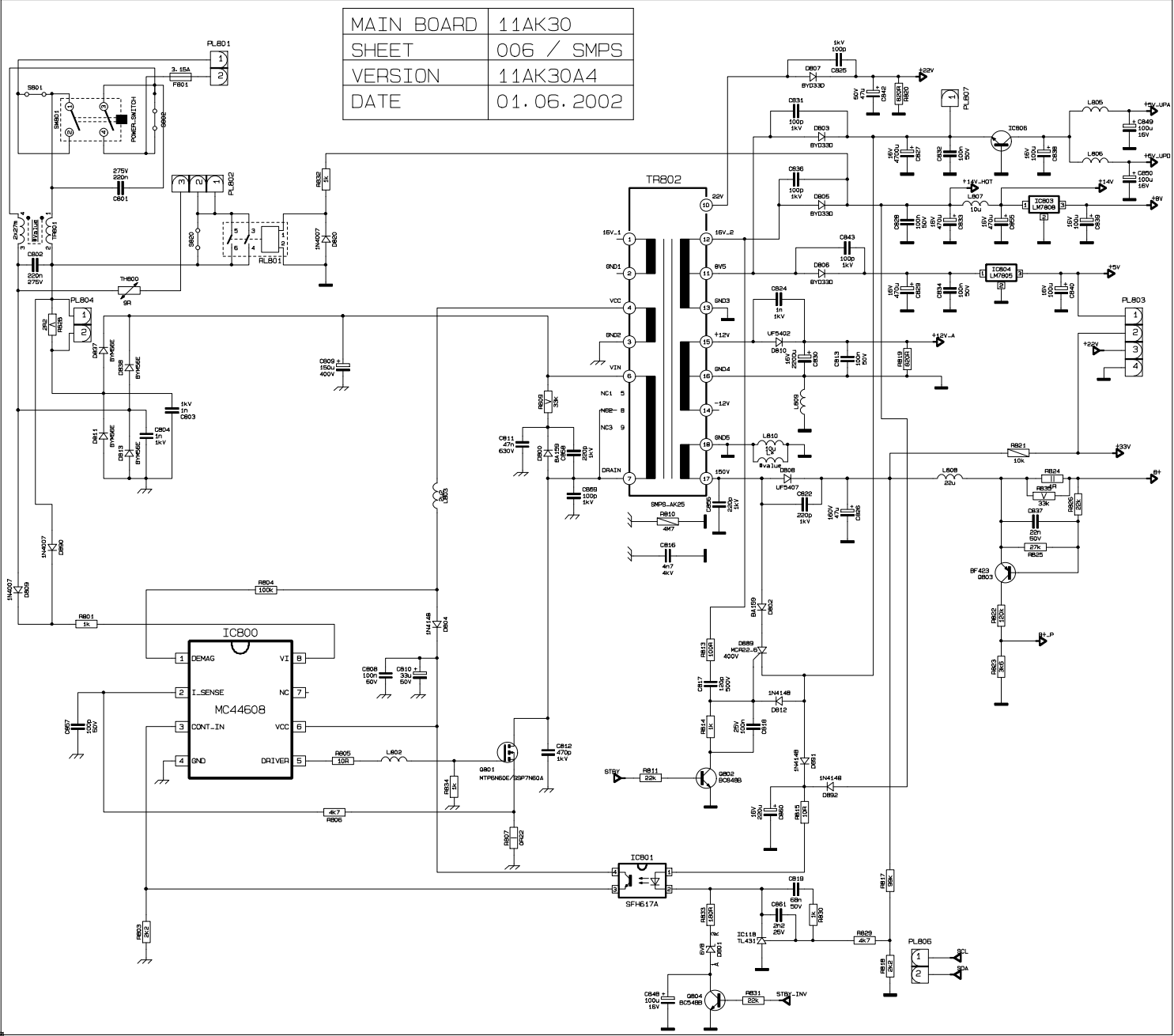
| | |
|------------|------------|
| MAIN BOARD | 11AK30 |
| SHEET | 003 / AV |
| VERSION | 11AK30A4 |
| DATE | 01.06.2002 |

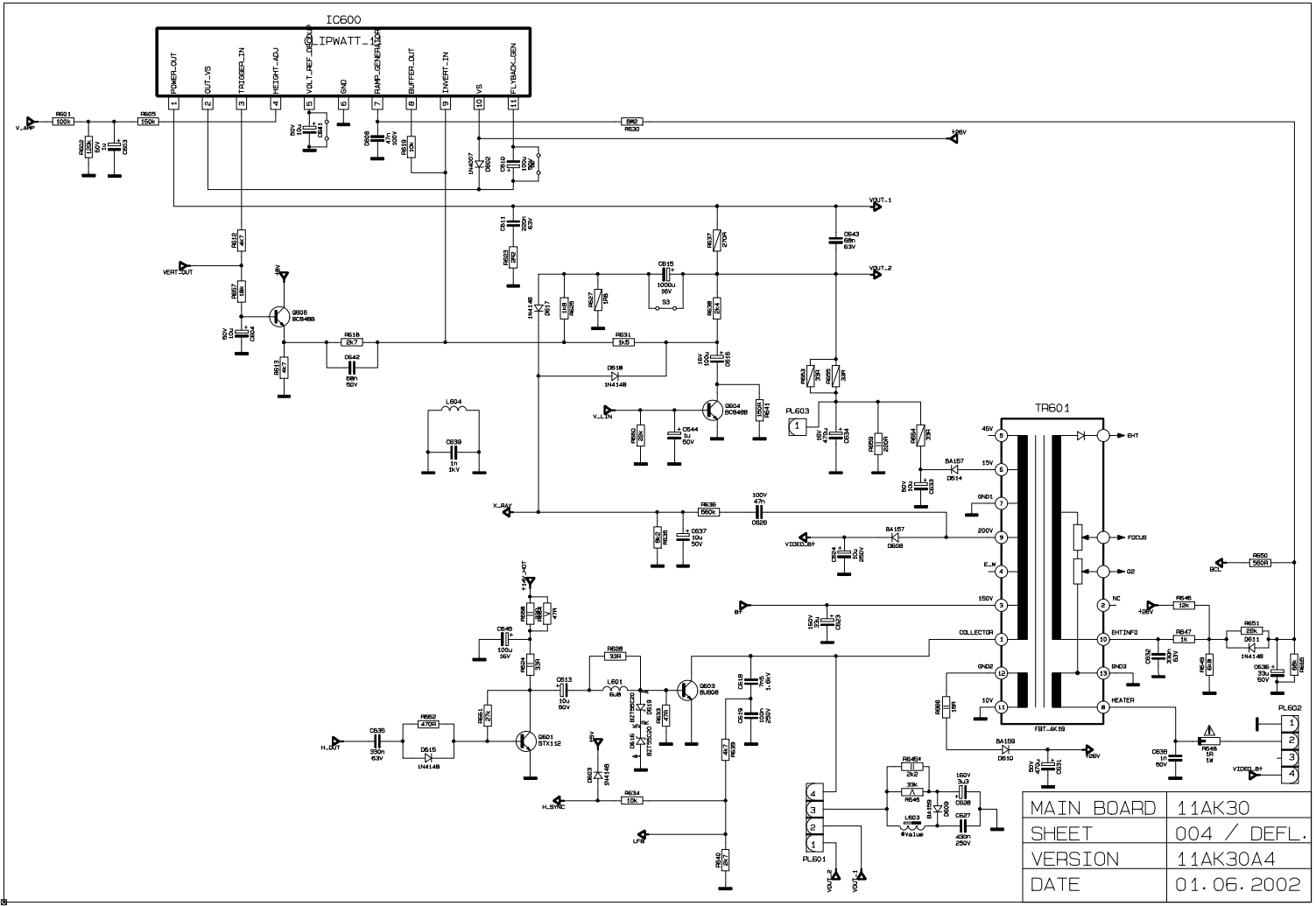




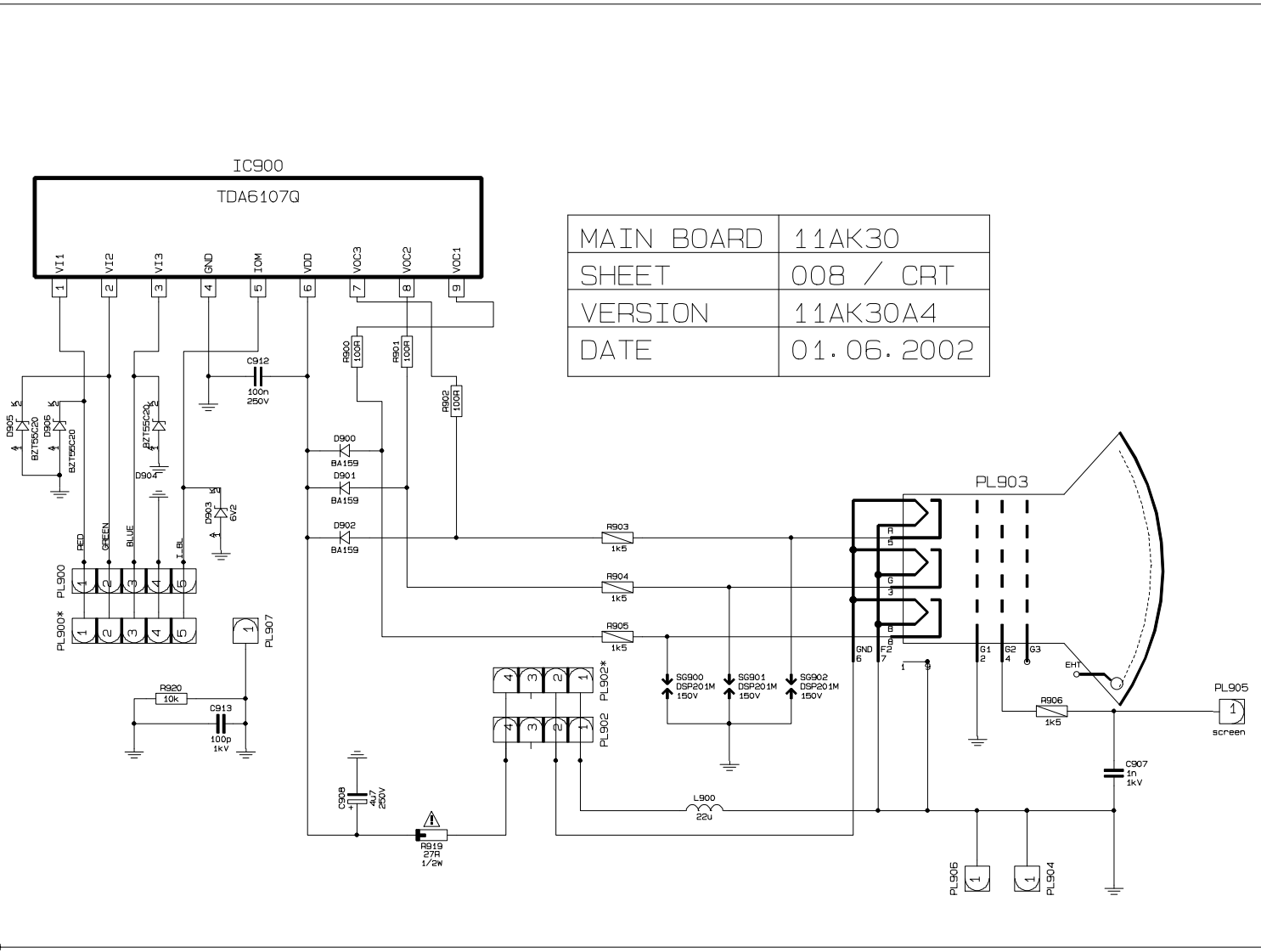
| | |
|------------|------------|
| MAIN BOARD | 11AK30 |
| SHEET | 007 / STR. |
| VERSION | 11AK30A4 |
| DATE | 01.06.2002 |

| | |
|------------|------------|
| MAIN BOARD | 11AK30 |
| SHEET | 006 / SMP5 |
| VERSION | 11AK30A4 |
| DATE | 01.06.2002 |





| | |
|------------|-------------|
| MAIN BOARD | 11AK30 |
| SHEET | 004 / DEFL. |
| VERSION | 11AK30A4 |
| DATE | 01.06.2002 |



| | |
|------------|------------|
| MAIN BOARD | 11AK30 |
| SHEET | 008 / CRT |
| VERSION | 11AK30A4 |
| DATE | 01.06.2002 |

| | |
|------------|-------------|
| MAIN BOARD | 11AK30 |
| SHEET | 002 / VIDEO |
| VERSION | 11AK30A4 |
| DATE | 01.06.2002 |

