

DongYang E&P Ind. CO.LTD

SPECIFICATION  
P43HW\_CDY  
(CIRCUIT DRAWING)

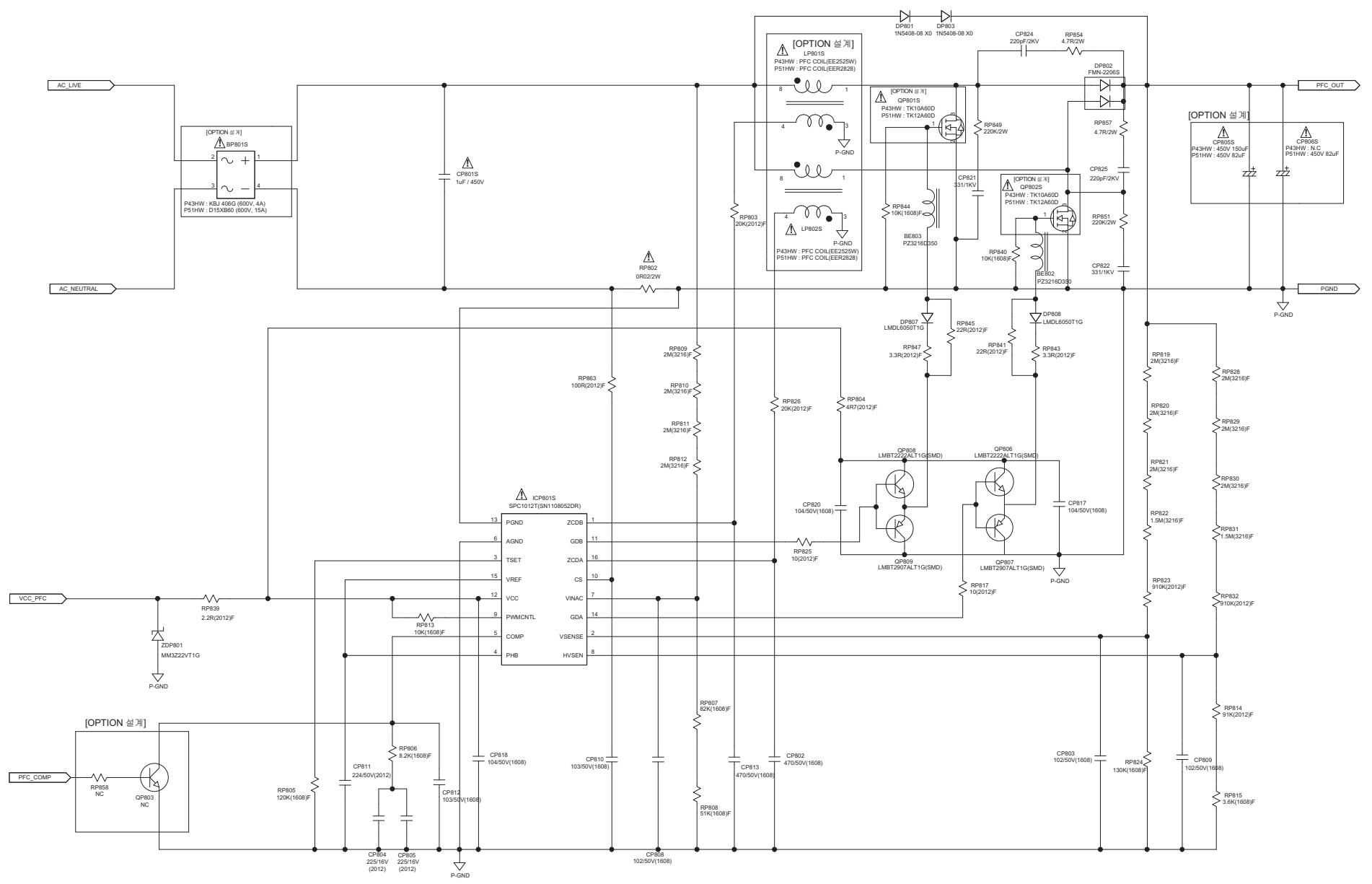
STD RECORD NO.  
PAGE PUB. DATE  
PAGE REV. DATE

BN44-00508B  
2011.11.10  
2012.02.03

## 4. CIRCUIT DRAWING



# PFC Block



PL & 회로도 & 실물 & BOM 4점 정합함을 보증함

Comply with the threshold of substances which are specified in OQA\_2049

NOTE N.C : No Connection



USER	DATE 2012-02-06
MODEL NAME P43HW_CDY P51HW_CDY	SCALE
PDM NUMBER P43HW_CDY_BN44-0050B P51HW_CDY_BN44-0050B	REVISION Rev.R/C
	CHECKED
	APPROVED

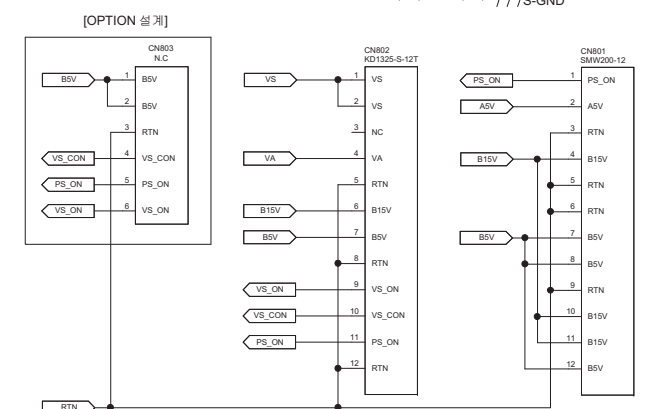
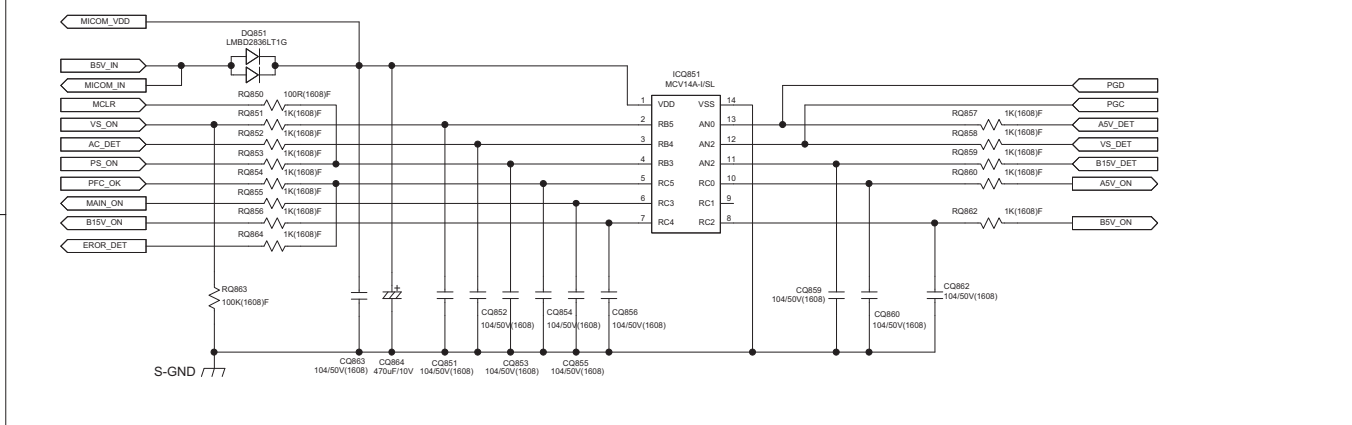
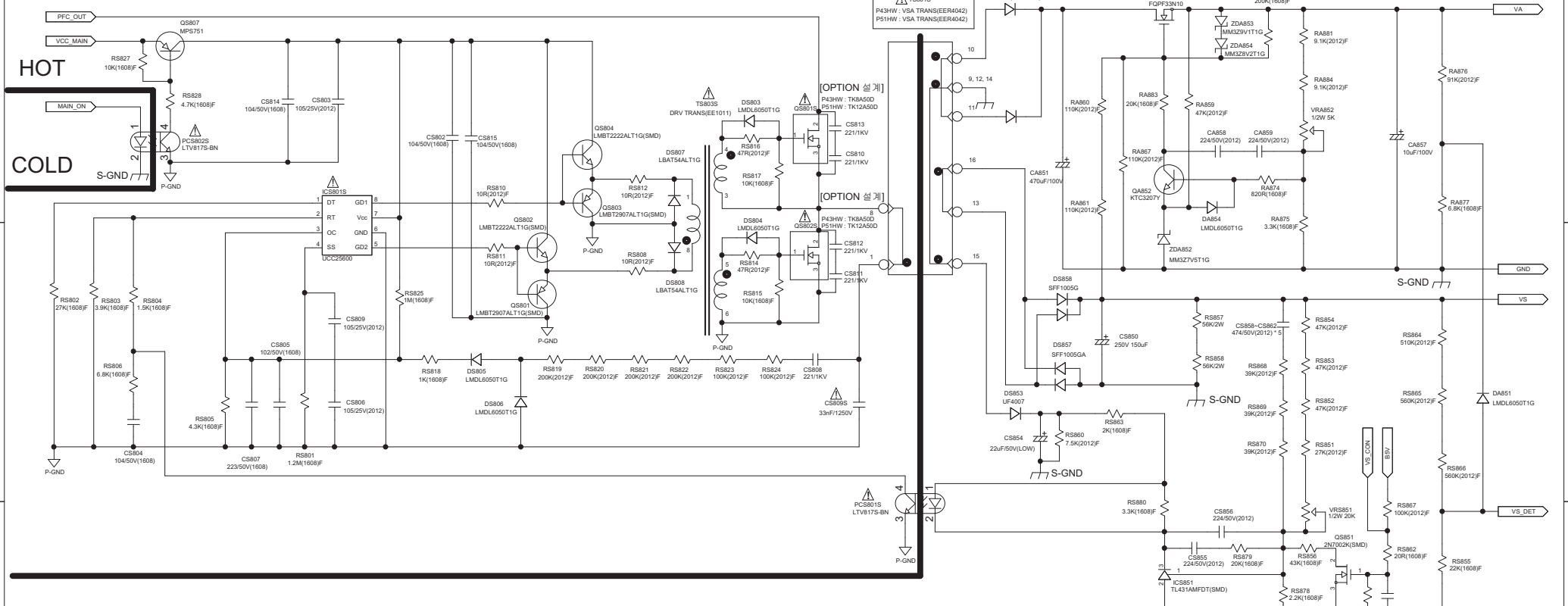
# VSA Block HOT

[OPTION 설계]

# COLD

PAGE REVISION

SHEET NUMBER 3



PL & 회로도 & 실물 & BOM 4점 정합함을 보증함

Comply with the threshold of substances which are specified in 0QA\_2049

NOTE N.C : No Connection

USER	SCALE	DATE
P43HW_CDY P51HW_CDY	REVISION Rev.R/C	2012-02-06
PDM NUMBER P43HW_CDY B044-0050B P51HW_CDY B044-0050B	CHECKED	APPROVED

DongYang E&P Ind. CO.LTD

SPECIFICATION  
P43HW\_CDY  
(BLOCK DIAGRAM PART)

STD RECORD NO.  
PAGE PUB. DATE  
PAGE REV. DATE

BN44-00508B  
2011.11.10  
2012.02.03

## 5. BLOCK DIAGRAM PART

