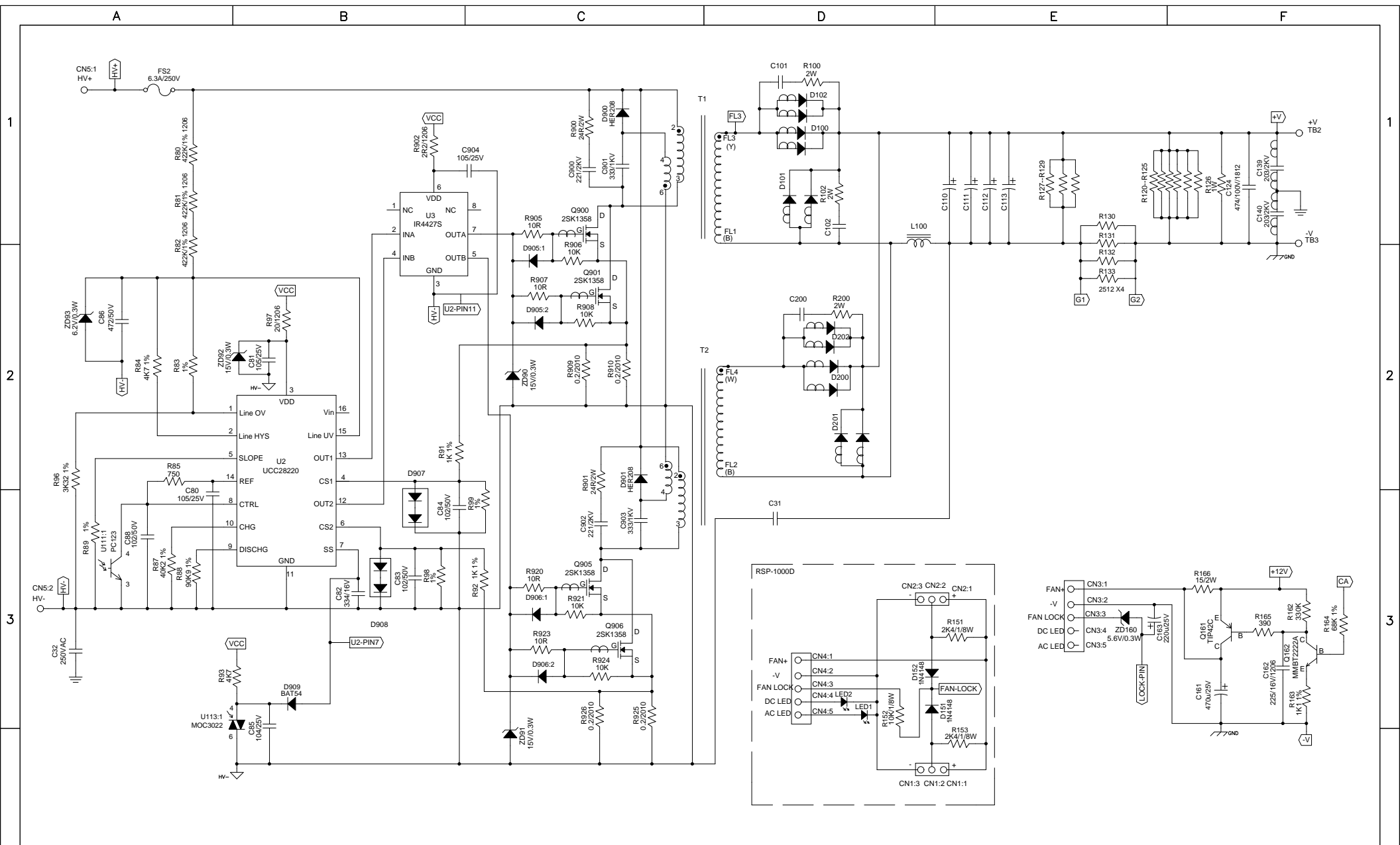



ECN. CORE	DATE	DESCRIPTION	APPROVAL	DESIGNED	CHECKED	DRAWN

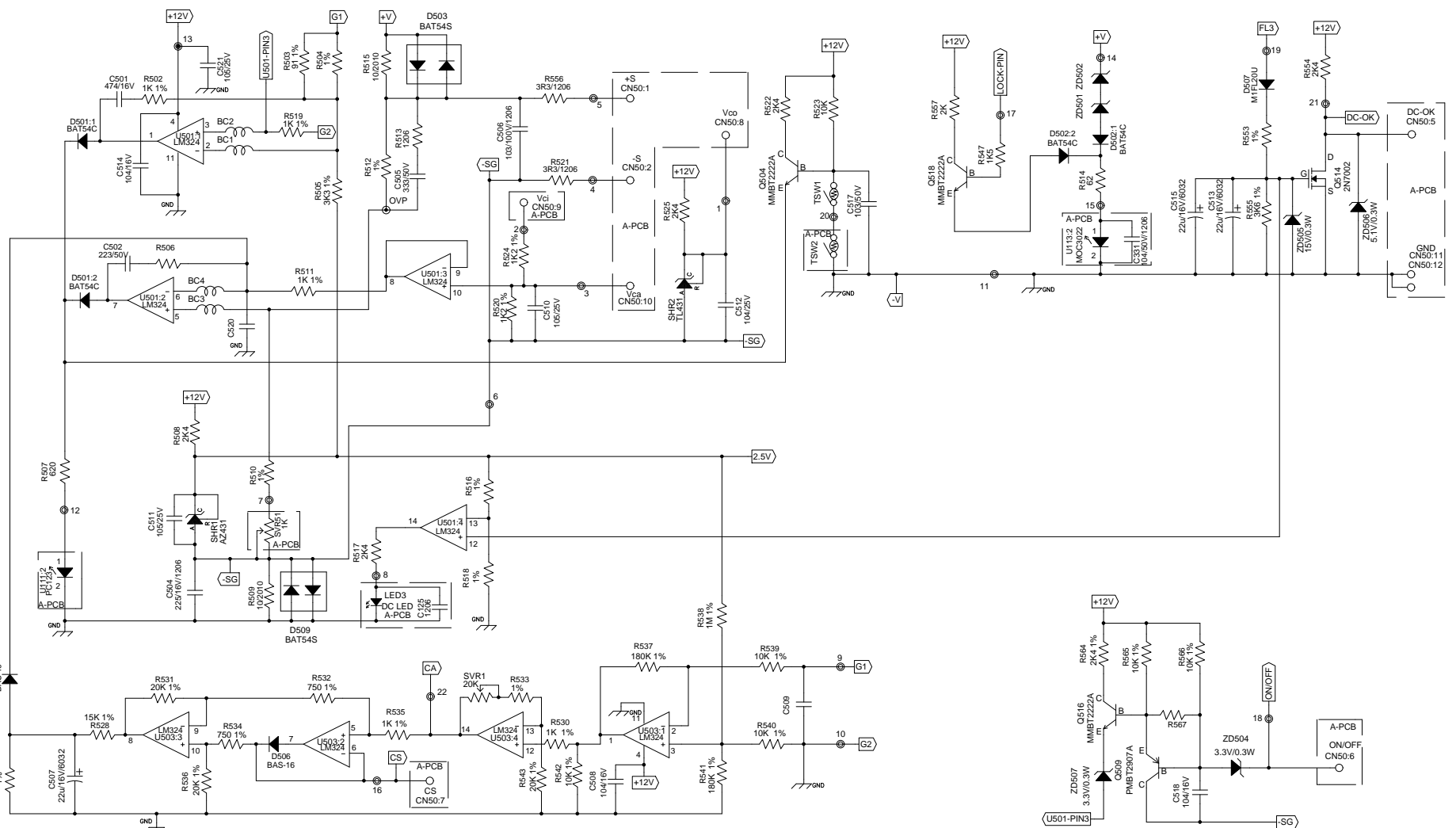
SUBJECT		RSP-1000ABCD	
REVISION	R4	DATE	2008/11/05
FILENAME	RSP-1000ABCD-R4.sch		

MEAN WELL ENTERPRISES CO., LTD. Sheet 1 of 4



ECN. CORE	DATE	DESCRIPTION	APPROVAL	DESIGNED	CHECKED	DRAWN

 MEAN WELL ENTERPRISES CO., LTD.	SUBJECT	RSP-1000ABCD	
	REVISION	R4	DATE 2008/11/05
	FILENAME	RSP-1000ABCD-R4.sch	
MEAN WELL ENTERPRISES CO., LTD.		Sheet	2 of 4



ECN. CORE	DATE	DESCRIPTION	APPROVAL	DESIGNED	CHECKED	DRAWN


<p>MEAN WELL ENTERPRISES CO., LTD.</p>	SUBJECT	RSP-1000A/B/C/D		
	REVISION	R4	DATE	2008/11/05
	FILENAME	RSP-1000ABCD		
MEAN WELL ENTERPRISES CO., LTD.		Sheet	3	of 4

RSP-1000A/B/C/D DIFFERENT COMPONENT:

Ref. Model	T1	T2	L100	TSW1	TSW2	C110--C113	C101 C200	C102	R100 R200	R102	R120--R125	R127--R129	R131	R130--R132	R133	ZD501	ZD502	D2			
12V	TF-1451	TF-1556	TF-1454	70°C	85°C	1800u 25V	103 100V	103 100V	20 2W	20 2W	510 2010	510 2010	3mR 2512	3mR 2512	3mR 2512	8.2V 0.3W	5.1V 0.3W	CSD060 60A			
15V	TF-1482	TF-1557	TF-1454	70°C	85°C	1800u 25V	103 100V	103 100V	10 2W	10 2W	820 2010	820 2010	3mR 2512	3mR 2512	5mR 2512	11V 0.3W	5.6V 0.3W	CSD060 60A			
24V	TF-1452	TF-1558	TF-1455	75°C	85°C	1000u 35V	472 500V	332 500V	10 2W	24 2W	2K4 2010	2K4 2010	5mR 2512	5mR 2512	5mR 2512	15V 0.3W	13V 0.3W	CSD100 60A			
27V	TF-1483	TF-1559	TF-1455	75°C	80°C	1000u 35V	222 500V	222 500V	15 2W	15 2W	3K 2010	3K 2010	5mR 2512	5mR 2512	5mR 2512	20V 0.3W	11V 0.3W	CSD100 60A			
48V	TF-1453	TF-1560	TF-1456	75°C	80°C	470u 63V	102 1KV	102 1KV	20 2W	20 2W	10K 2010	10K 2010	X	5mR 2512	X	30V 0.3W	27V 0.3W	CSD100 60A			

Ref. Model	R506	R510	R512	R553	R504	R513	D101	D201	D100 D102	D200 D202	R4,R5	R89	R98 R99	R529	C22	C31	C32	R533	R516	R518	
12V	10K	1K5 1%	6K8 1% 0805	560 1% 0805	430 1%	10K 1206	ESAD 83-004	ESAD 83-004	ESAD 83-006	ESAD 83-006	0.08R /5W	42K2 1%	3K3 1%	39K 1%	102/ 250VAC	102/ 250VAC	331/ 250VAC	84K5 1%	2K 1%	2K2 1%	
15V	10K	2K32 1%	13K3 1% 0805	680 1% 0805	287 1%	10K 1206	ESAD 83-004	ESAD 83-004	ESAD 83-006	ESAD 83-006	0.08R /5W	37K4 1%	3K3 1%	39K 1%	221/ 250VAC	102/ 250VAC	331/ 250VAC	90K9 1%	2K 1%	2K2 1%	
24V	4K7	2K 1%	20K 1% 0805	1K2 1% 0805	820 1%	15K 1206	ESAD 83-006	ESAD 83-006	S30JC 10	S30JC 10	0.06R /5W	43K2 1%	1K2 1%	20K 1%	102/ 250VAC	222/ 250VAC	331/ 250VAC	90K9 1%	2K 1%	2K4 1%	
27V	4K7	2K32 1%	27K 1% 0805	1K87 1% 0805	475 1%	15K 1206	40CPQ 100	X	30CP Q150	30CP Q150	0.06R /5W	40K2 1%	1K2 1%	20K 1%	102/ 250VAC	102/ 250VAC	331/ 250VAC	90K9 1%	2K 1%	3K 1%	
48V	4K7	2K32 1%	49K9 1% 0805	4K7 1% 0805	1K62 1%	24K 1206	30CPQ 150	X	ESAD 9202	ESAD 9202	0.06R /5W	43K2 1%	1K2 1%	20K 1%	102/ 250VAC	222/ 250VAC	X	90K9 1%	2K7 1%	1K 1%	

ECN. CORE	DATE	DESCRIPTION	APPROVAL	DESIGNED	CHECKED	DRAWN

	SUBJECT	RSP-1000ABCD	
	REVISION	R4	DATE 2008/11/05
	FILENAME	RSP-1000ABCD-R4.sch	
MEAN WELL ENTERPRISES CO., LTD.		Sheet	4 of 4