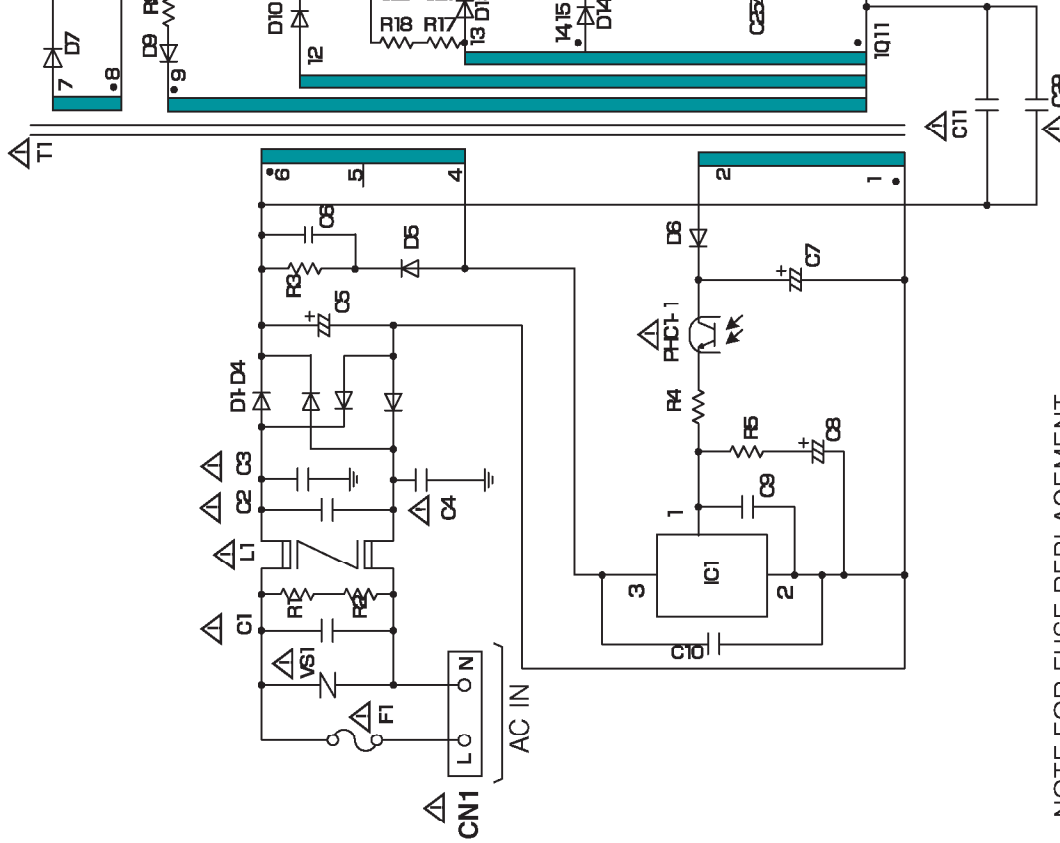




POWER SUPPLY UNIT (VWR1377)

« NOTE OF SPARE PARTS IN POWER SUPPLY (SYPS) UNIT »

- In case of repairing, use the described parts only to prevent an accident.
- Please write the red ✓ mark on the board when the primary section of POWER SUPPLY (SYPS) Unit is repaired.
- Please take care to keep the space, not touching other parts when replacing the parts.

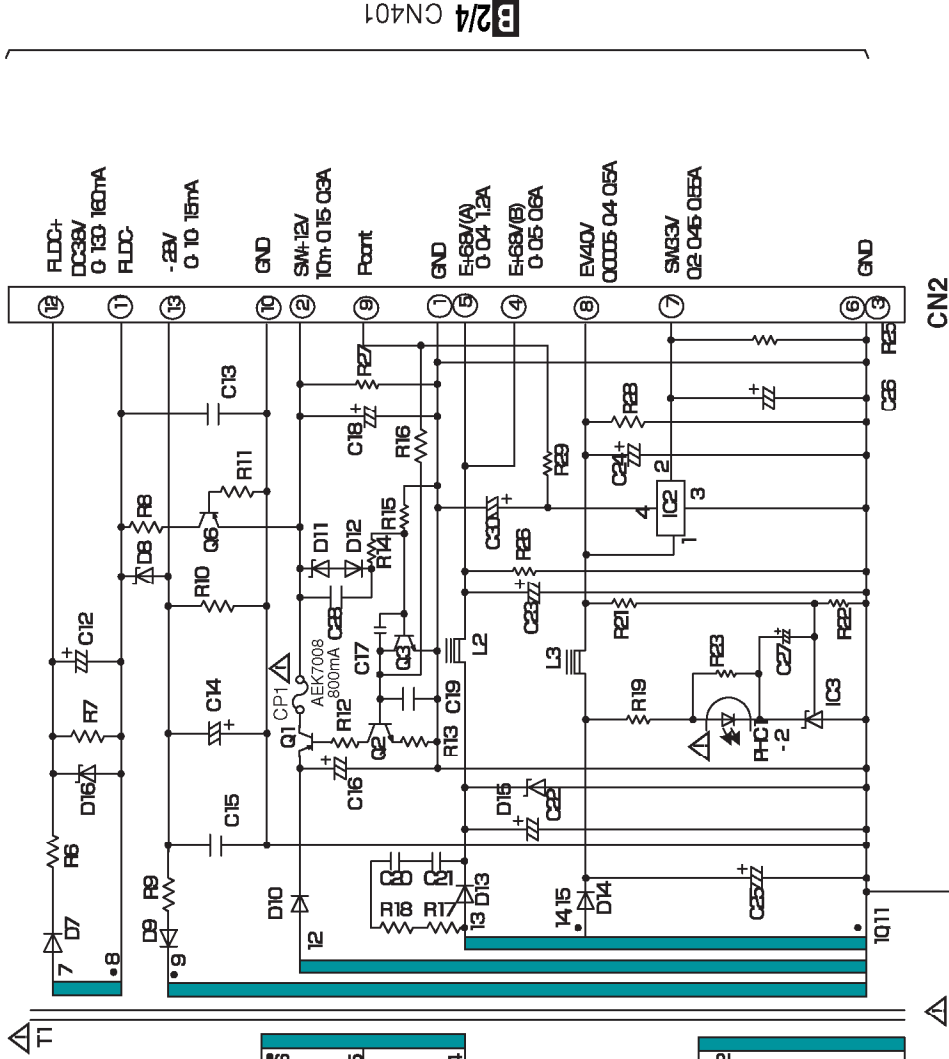


• NOTE FOR FUSE REPLACEMENT

CAUTION - FOR CONTINUED PROTECTION AGAINST RISK OF FIRE, REPLACE WITH SAME TYPE AND RATINGS OF FUSE.

3.11 POWER SUPPLY UNIT [VWR1377]

CAUTION : FOR CONTINUED PROTECTION AGAINST RISK OF FIRE, REPLACE ONLY WITH SAME TYPE NO. 491.800 MFD, BY LITTELFUSE INC. FOR CP1 (AEK7008).



CN2

B2/4 CN401