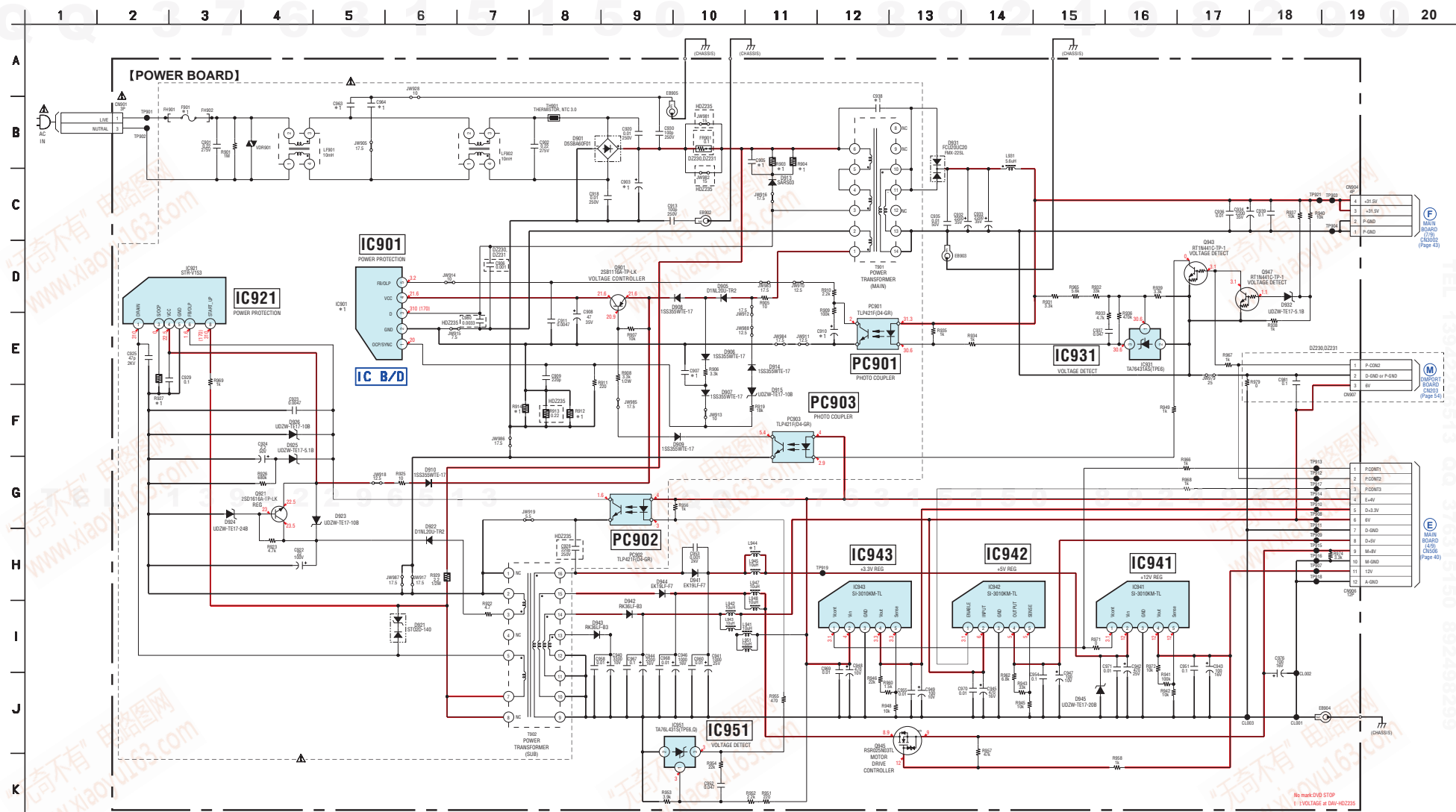


6-31. SCHEMATIC DIAGRAM – POWER BOARD – • See page 60 for IC Block Diagram.



*1

	DZ230/DZ231	HDZ235
C903	330uF 20% 400V	1000uF 20% 200V
C905	0.0033uF 5% 400V	0.01uF 5% 400V
C907	0.001uF 10% 50V	0.0015uF 10% 50V
C910	22uF 20% 50V	10uF 20% 50V
C938	470PF 10% 250V	330PF 10% 250V
C963	470PF 10% 250V	0.0022uF 20% 250V
C964	470PF 10% 250V	0.0022uF 20% 250V
F901	T6.3AH/250V	8A/125V
IC901	STR-F6168-LF1352	STR-F6138-LF1352
R903	100K 5% 3W	33K 5% 3W
R904	100K 5% 3W	33K 5% 3W
R912	0.33 5% 2W	0.22 5% 2W
R914	0.1 10% 5W	0.05 5% 5W
R927	1 5% 1W	0.82 5% 1W

No mark D18 STOP
1 VOLTAGE at DM-H02235