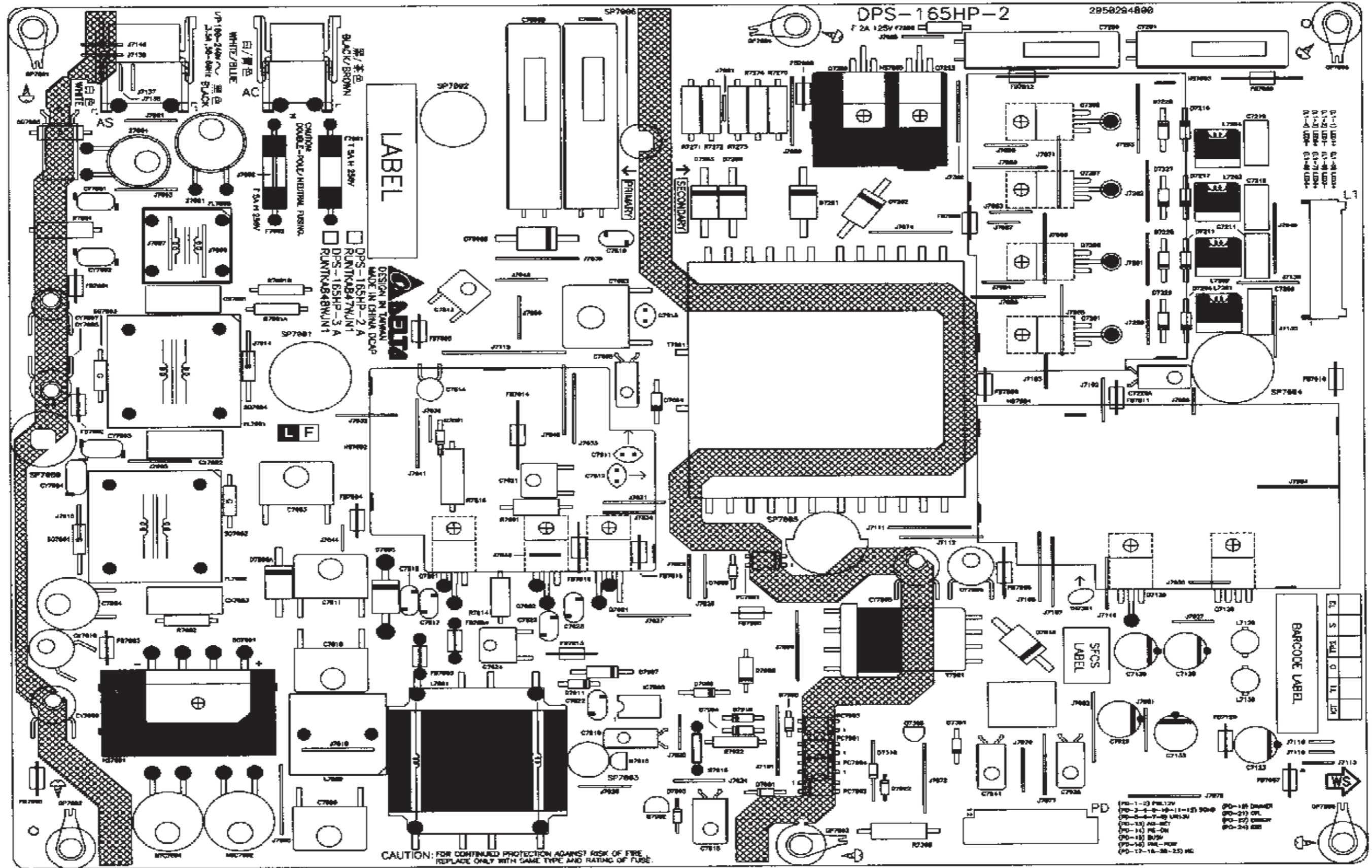


Power Unit PWB RUNTKA847WJN1

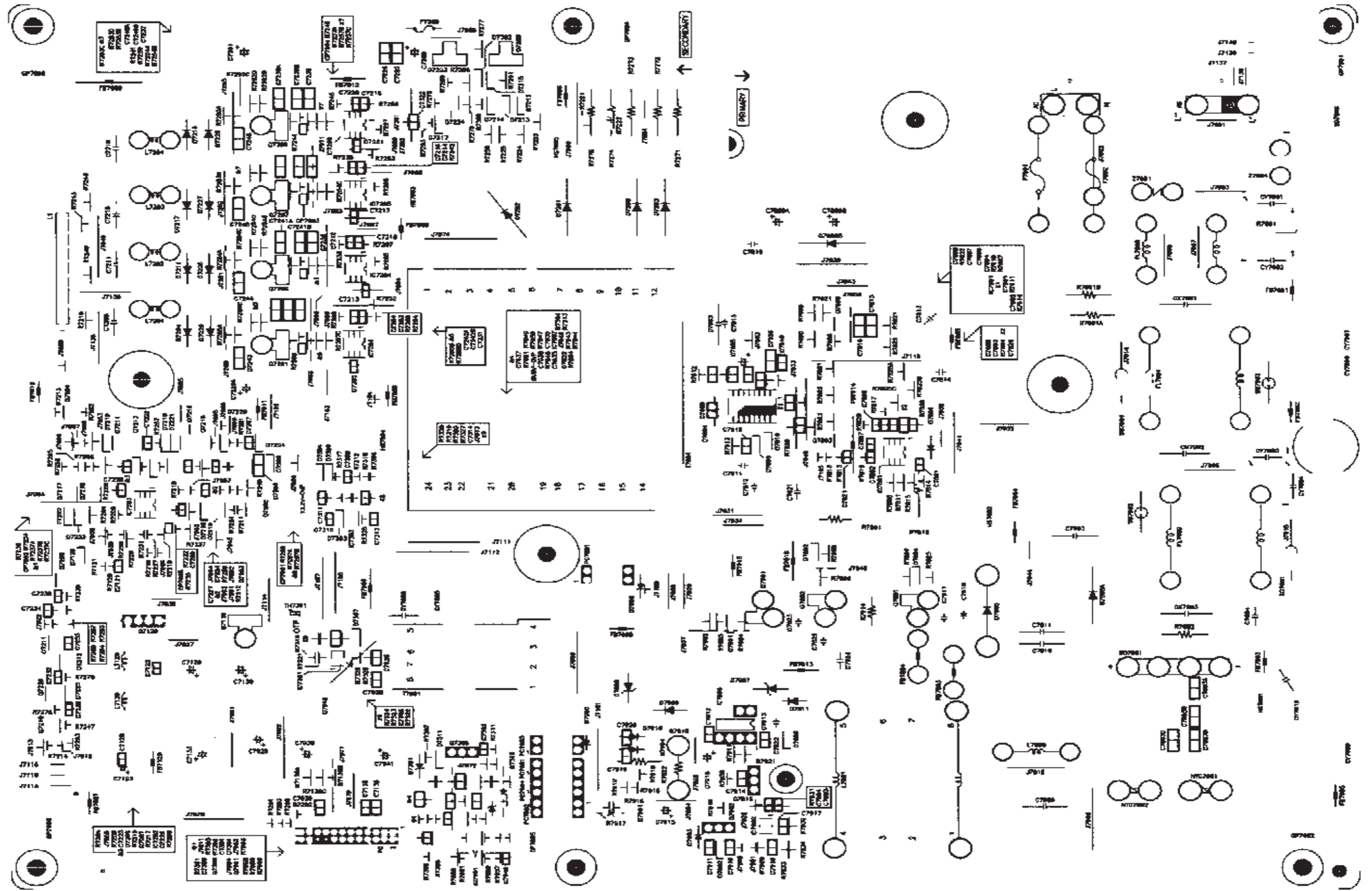
Power Unit, Side A



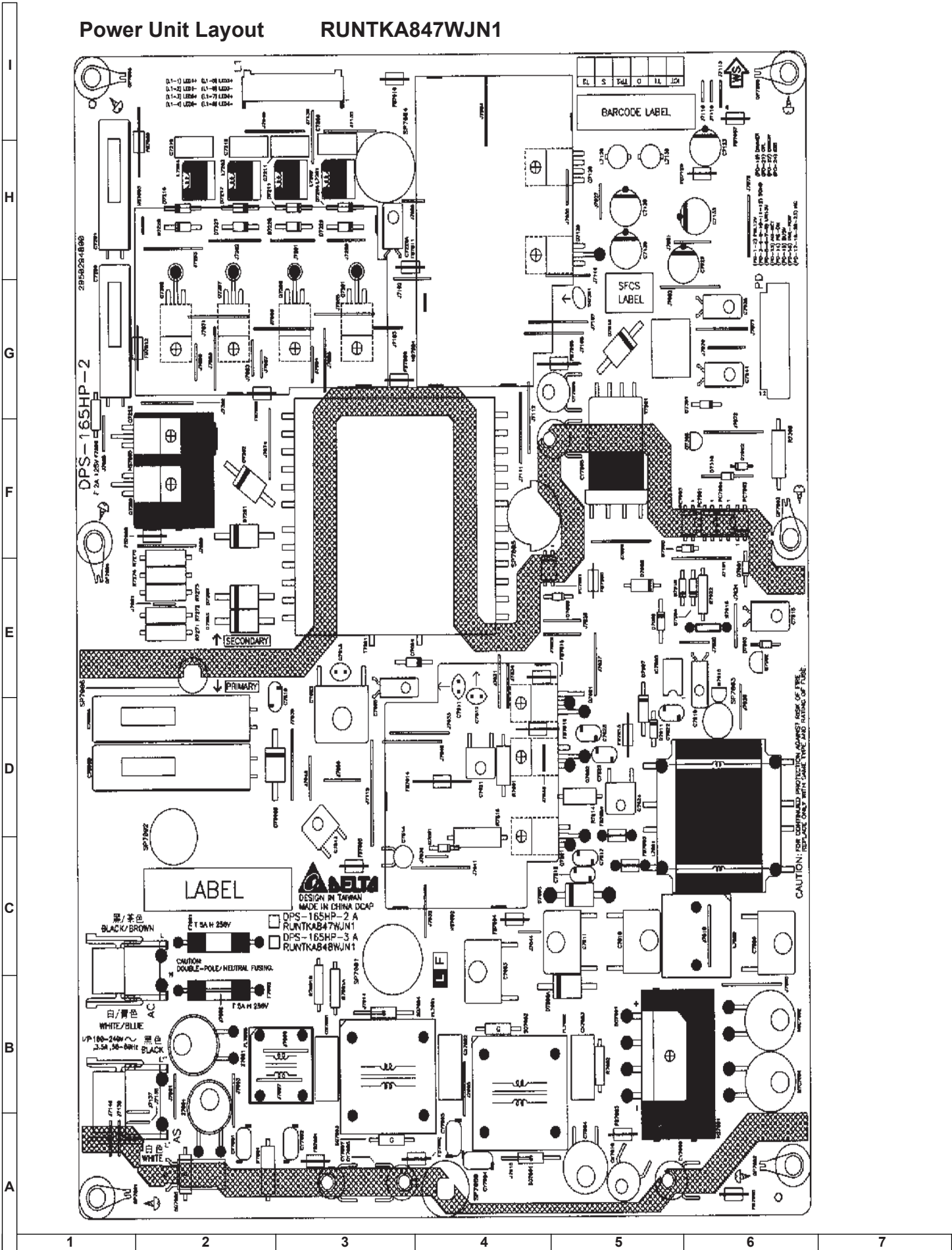
Power Unit PWB

RUNTKA847WJN1

Power Unit, Side B

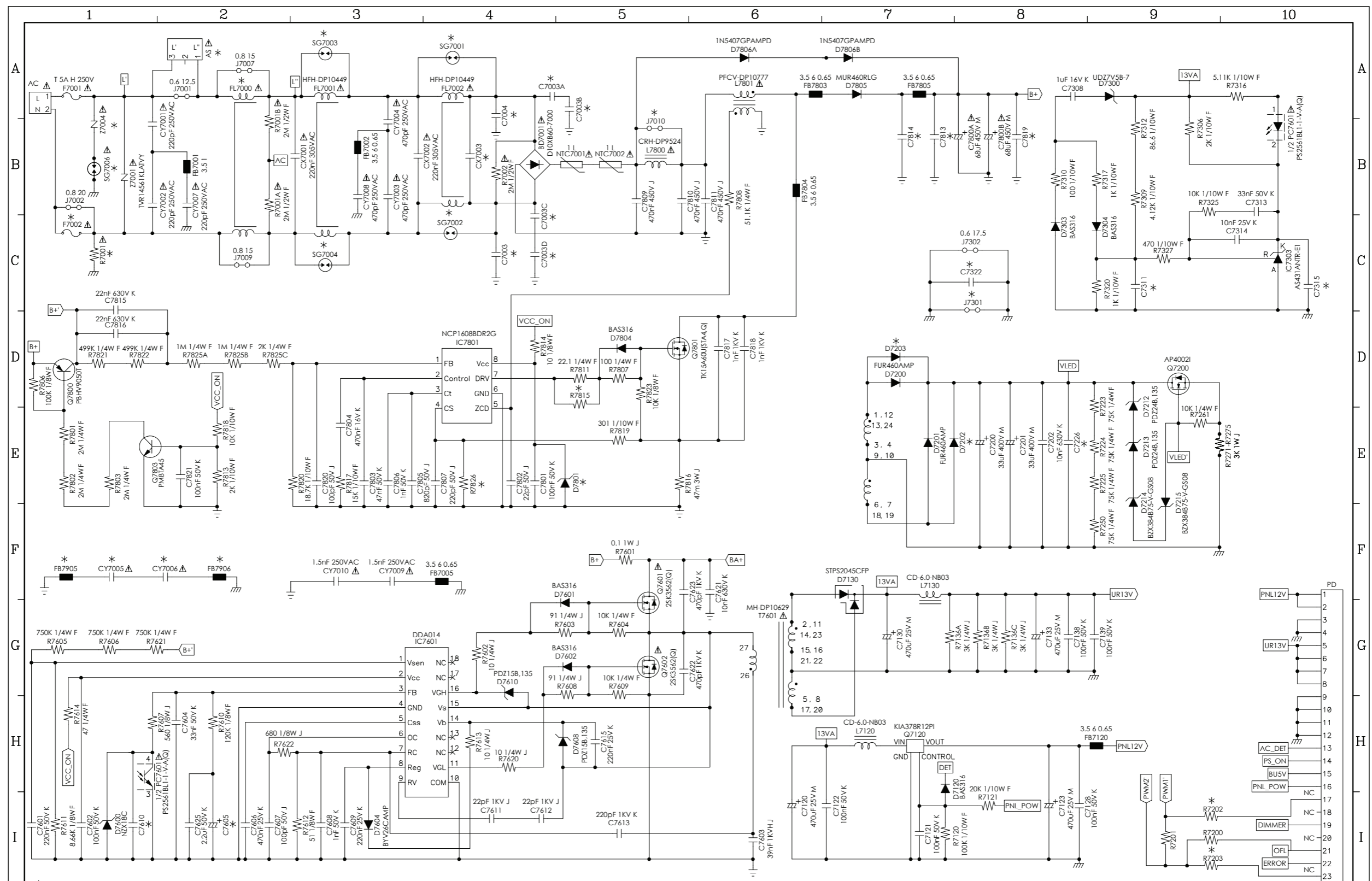


Power Unit Layout RUNTKA847WJN1

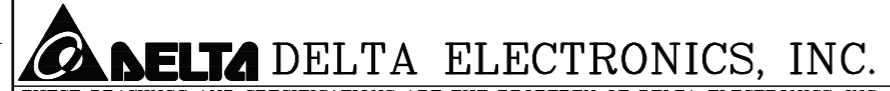


Power Unit Diagram

RUNTKA847WJN1 (1 / 3)



*:NO COMPONENTS

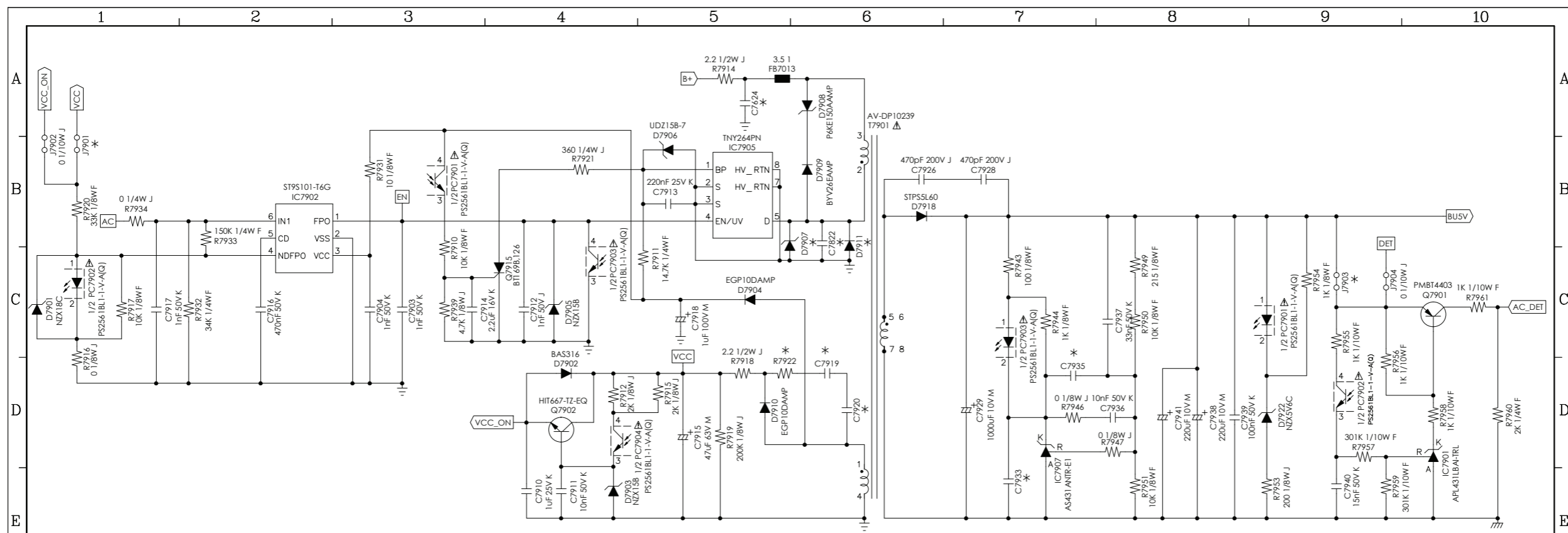


THESE DRAWINGS AND SPECIFICATIONS ARE THE PROPERTY OF DELTA ELECTRONICS, INC. AND SHALL NOT BE REPRODUCED OR USED AS THE BASIS FOR THE MANUFACTURE OR SELL OF APPARATUS OR DEVICES WITHOUT PERMISSION.

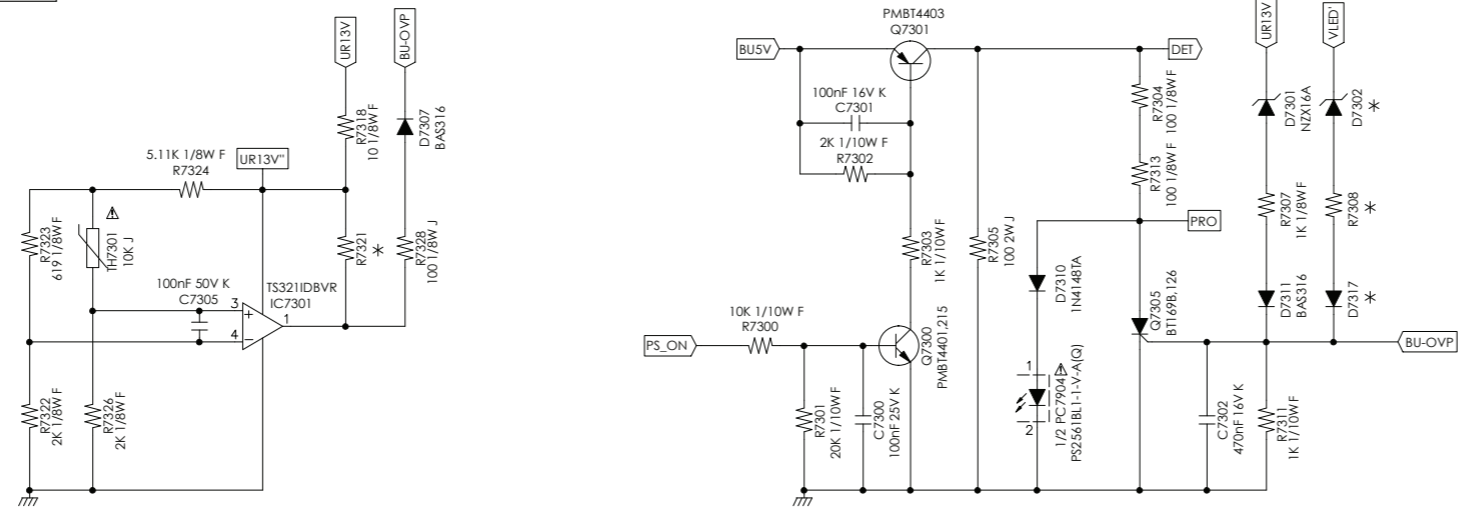
Date:06/20/11'	LY.REV: 0	Drawn:EASON	Checked	Approved	MODEL NAME	REV.	SHEET
PWB: D165HP2ROCO	FILE NAME:D165HP2RO				RUNTKA847WJN1		01 OF 03
DESCRIPTION:SCHEMATIC OF SWITCHING POWER SUPPLY					DPS-165HP-2 A		

Frame Name:DF-SCA2H-1R00.SCH

Power Unit Diagram RUNTKA847WJN1 (2 / 3)



Power Table			
RefDes	UR13.2V*	SGND	UR13V**
IC7283	8	4	4
IC7381		2	5



*:NO COMPONENTS

DELTA DELTA ELECTRONICS, INC.
 THESE DRAWINGS AND SPECIFICATIONS ARE THE PROPERTY OF DELTA ELECTRONICS, INC. AND SHALL NOT BE REPRODUCED OR USED AS THE BASIS FOR THE MANUFACTURE OR SELL OF APPARATUS OR DEVICES WITHOUT PERMISSION.

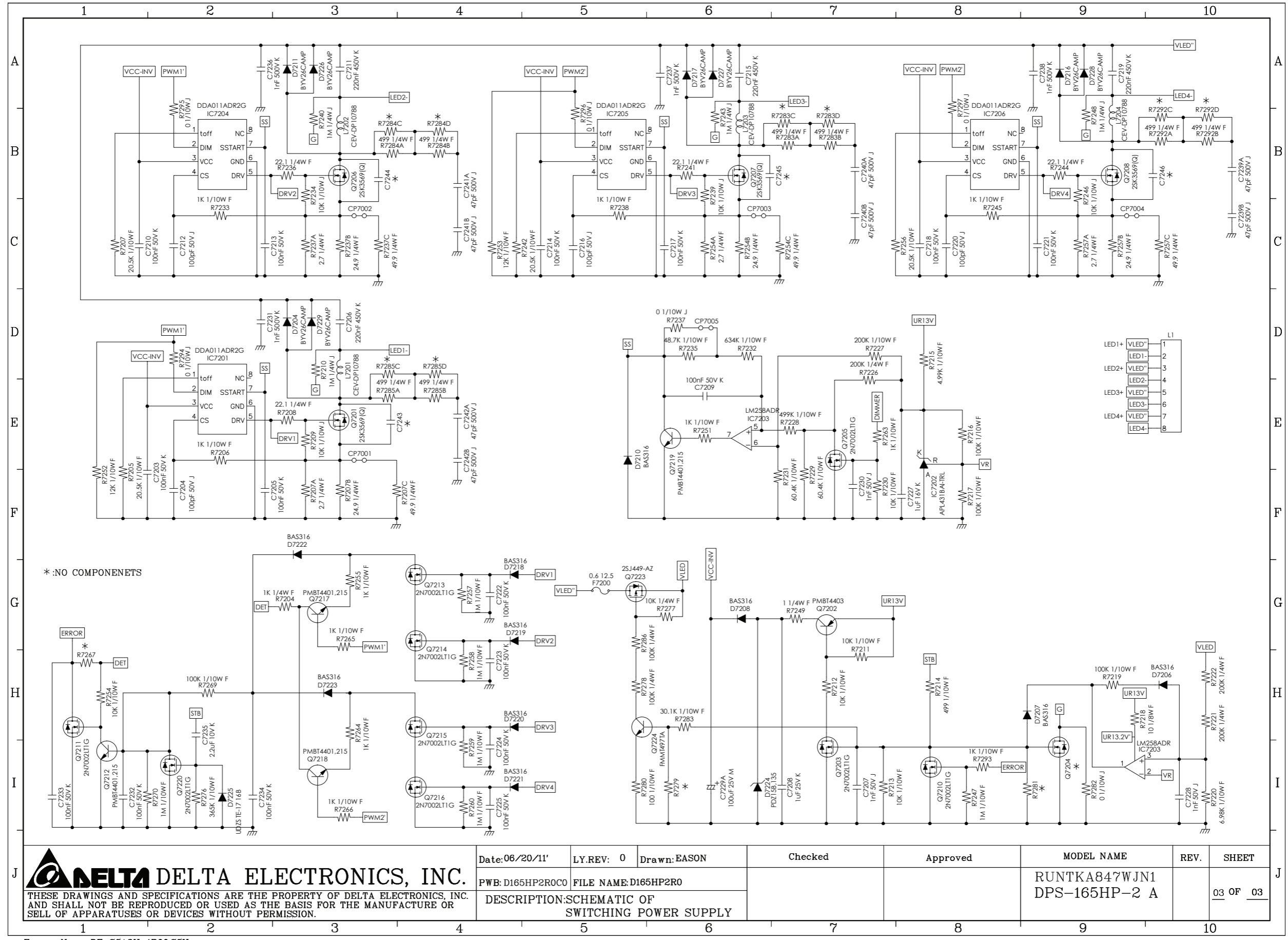
Date:06/20/11'	LY.REV: 0	Drawn:EASON	Checked	Approved
PWB:D165HP2R0C0	FILE NAME:D165HP2R0	DESCRIPTION:SCHEMATIC OF SWITCHING POWER SUPPLY		

MODEL NAME	REV.	SHEET
RUNTKA847WJN1 DPS-165HP-2 A		02 OF 03

Frame Name:DF-SCA2H-1R00.SCH

Power Unit Diagram

RUNTKA847WJN1 (3 / 3)



DELTA DELTA ELECTRONICS, INC.
THESE DRAWINGS AND SPECIFICATIONS ARE THE PROPERTY OF DELTA ELECTRONICS, INC. AND SHALL NOT BE REPRODUCED OR USED AS THE BASIS FOR THE MANUFACTURE OR SELL OF APPARATUS OR DEVICES WITHOUT PERMISSION.

Date: 06/20/11'	LY.REV: 0	Drawn: EASON	Checked	Approved	MODEL NAME	REV.	SHEET
PWB: D165HP2ROCO		FILE NAME: D165HP2RO			RUNTKA847WJN1		03 OF 03
DESCRIPTION: SCHEMATIC OF SWITCHING POWER SUPPLY					DPS-165HP-2 A		

Frame Name: DF-SCA2H-1R00.SCH