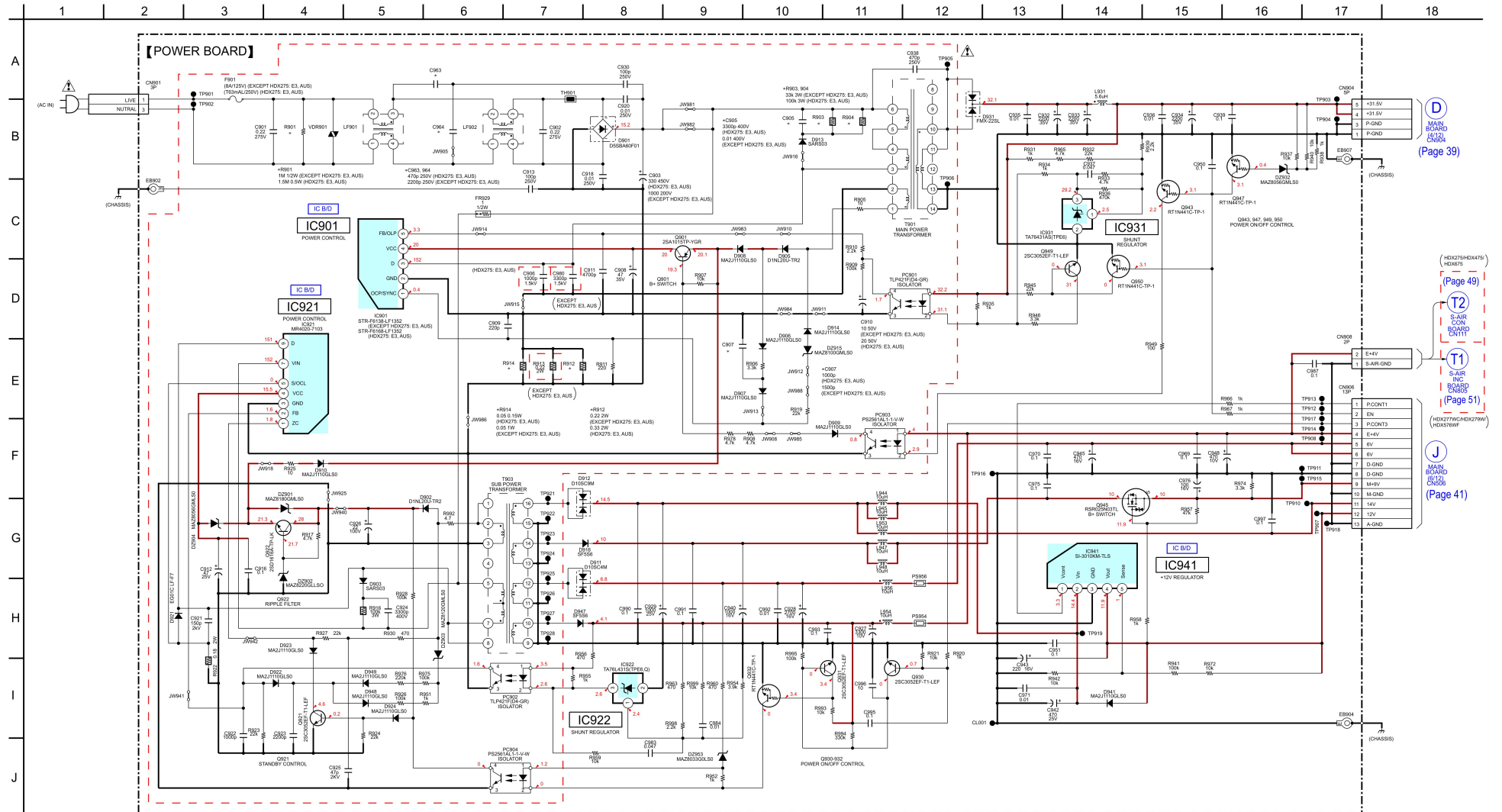


6-38. SCHEMATIC DIAGRAM - POWER Board - • See page 65 for IC Block Diagrams.



(D) MAIN BOARD (417) (C904) (Page 39)

(T2) HDX275/HDX475/HDX675 (Page 49)

(T1) S-AIR CON BOARD (411) (Page 51)

(J) MAIN BOARD (413) (C903) (Page 41)